

SAGE LIGHTING presents innovative energy saving products for commercial, industrial and residential markets. Among others, we offer a wide range of dimming and non dimming LED Drivers including Selectable Multi Current, Multi Channel, Constant Current, Constant Voltage, IP67, Open Frame Leading & Trailing Edge Dimming including Emergency LED Drivers and Emergency Battery Backup for LED Drivers.

We have been manufacturing electronic ballasts for linear, compacts and single-ended lamps, including high output lamps since twenty years ago. Our electronic ballasts are available for virtually all types of fluorescent lamps with advanced features, very slim housing, multiple Volts, watts and lamps including universal voltage up to 480V for North America and low voltage for special applications.

The latest additions to our line of innovative products are the Programmable LED Drivers in various dimensions to meet the ever changing demands. These Drivers are available in Universal Voltage, 347V and 347-480V.

Keeping ahead of the competition and giving customers wide-ranging design capabilities, **SAGE LIGHTING** thrives to identify, develop and introduce advanced, cost effective designs. Out of our three manufacturing facilities, we strive to reduce manufacturing costs without compromising product quality, and we provide reliable and affordable electronic ballasts and drivers worldwide. **SAGE LIGHTING** products meet UL, CUL, CE and ROHS standards. We are recognized for our prompt service and dependable delivery. We are committed to bringing innovation to feed the appetite of the lighting industry.

SAGE LIGHTING has accomplished sophisticated lighting expertise with exceptional customer service. We challenge you to endorse our products and price to benefit your organization.

May 2023

Sage

**Electronic Fluorescent
High Pressure Sodium &
Ultra Violet Ballasts
120-277V & 347V**

Electronic Fluorescent Ballast Housing Dimensions

Measurements

mm/inches

BALLAST	LAMP TYPE	LENGTH	WIDTH	HEIGHT	MOUNTING
---------	-----------	--------	-------	--------	----------

SERIES	LAMP WATTAGE				LENGTH (ML)
C1S	CFL 13W-18W, DC 125V	165/6.49	49/1.9	33/1.29	150/5.9
C2S	CFL 26-42W, Circline	174/6.8	61/2.4	31/1.23	158/6.23
C1U	CFL 13-42W, BX 13-24W	132/5.2	62/2.45	30/1.18	122/4.8
C2U	CFL, BX 13W-55W, 2D, T8, T5	127/5.0	63/2.48	30/1.18	111.5/4.39
C2B	CFL 26 Circline 22-40W	125/4.92	64/2.51	29/1.14	114/4.49
C3U	CFL 26-70W, BX 36-55W Circline T5, T9 22W-55W	127/5.0	77/3.03	34/1.3	117/4.6
C4U	CFL 26-42W, BX 36-40W	165/6.49	73/2.87	29/1.14	150/5.9
C5U	CFL 13W-42W, 2D, T8, BX 24W-50W	164/6.5	47/1.9	29/1.14	150/5.9
C7U	CFL 2x57-70W	198/7.8	80/3.15	36/1.42	184/7.24
C11	UV 30W-75W	125/4.9	64/2.5	29/1.14	114/4.48
CN1S	CFL 13W-26W	99/3.9	52/2.05	30/1.18	91/3.58
DC	12/24V DC T8 17W-40W CFL Biax 13-40W T5 14W-35W HOT5 24W-39W Circline T5, T9 22W-40W	147/5.7	47/1.8	34/1.3	133/5.2

E1	T8 15W, 18W, 36W	280/11.02	39/1.54	28/1.1	265/10.43
E2	HOT5 24W-54W T5 21W-35W	314/12.36	34/1.34	29/1.14	300/11.81
E3	HOT5, Biax 24W-96W	325/12.8	34/1.34	29/1.14	317/12.48
E4L	HOT5, Biax 54W-55W SW	450/17.72	43/1.69	29/1.14	438/17.24
E5	HOT5, Biax 24W-39W T5 T5LO 13W-35W	290/11.4	34/1.34	27/1.06	282/11.1
E6	HOT5, Biax 2x80W-96W	325/12.8	64.6/2.52	30/1.18	317/12.5
E8	HOT5, Biax 54W-55W	420/16.5	27/1.06	29/1.14	400/15.7
E9	HOT5 54W T832W Dimming	395/15.5	38/1.50	29/1.14	387/15.2
E9L	HOT5 39W 54W T8 32W	395/15.5	38/1.50	29/1.14	387/15.2
E10	Nippo T6 17-46W	420/16.5	30.8/1.21	28/1.09	413/16.25
E11	HOT5, Biax 54W-55W	450/17.72	76/3.0	29/1.14	438/17.24
E12	T5 HOT5, Biax 14W-55W	360/14.17	32/1.26	21/0.83	350/13.80
E16	T8 70W	360/14.17	42/1.65	29/1.14	345/11.58

38/8/20

901 - 3rd Street West, North Vancouver, BC V7P 3P9 Canada
 TEL: 604-904-9533
 www.sagedrivers.com www.sagelighting.com

*Sage
Lighting Ltd.*

Electronic Fluorescent Ballast Housing Dimensions

Measurements

mm/inches

BALLAST SERIES	LAMP TYPE LAMP WATTAGE	LENGTH	WIDTH	HEIGHT	MOUNTING LENGTH (ML)
FS2	BX 3 or 4x24-40W T5 4x14W-35W CFL 3x26W-70W 4x32W	241/9.5	59/2.3	37/1.46	226/8.9
FS1	Biax 3x55/50 54W	241/9.5	78/3.07	40/1.57	226/8.9
FS10	UV T5	249/9.8	40.5/1.59	30/1.18	236/9.29

H1	T8 1 or 2x58, 70W	360/14.17	42/1.65	28/1.1	350/13.77
----	-------------------	-----------	---------	--------	-----------

JES	T5 1,2x24-54W, 14-35W	365/14.4	30/1.18	28/1.1	355/13.97
JEV	T5 1x24-54W, 14W-35W T8 1x17-32W	310/12.2	25/0.98	20/0.79	300/11.81
JEV3	T5 3x8W	310/12.2	39/1.54	28/1.1	300/11.81

MC	T8, T8 LO 1,2x17W-40W	241/9.5	32/1.26	28/1.1	226/8.9
----	-----------------------	---------	---------	--------	---------

MS, MU	CFL 13-42W	241/9.5	43.8/1.72	29.5/1.16	226/8.9
	BX 1,2,3, 4x36-40W				
	BX 13-80W				
	T8 1,2, 3,4x17W-40W				
	T8 15-59W HO T8 44W				
	T5 14W-35W				
	HO T5 24W-80W				

27/06/21

Sage

Electronic Fluorescent T5 Ballasts

120-277V & 347V

LINEAR T5 1 or 2x21W, 14W

Programmed Start (Low Profile)

Programmed Start (Series) Universal Voltage 120V-277V High Frequency Electronic ballast for Linear Standard T5 one or two (1 or 2) 21W, 14W GE, Philips or Osram Fluorescent lamps.

Technical Specification:

UL Listed, CUL Certified, ROHS Compliant
 EMI FCC Parts 18, Subparts C, Class A
 Rating: Type 1 Outdoor, HL
 Sound Rating: Class A
 Min. Starting Temp : - 30° C
 Max. Case Temp: 90° C
 Power Factor: 0.99
 End of Lamp Life Protection Circuit

Surge Protection: Meets ANSI C62.41
 Thermal Protection: CLASS P
 Lamp Current Crest Factor: < 1.6
 Remote Mounting Distance: 21 ft
 Power Factor: 0.99
 Input Frequency: 50/60HZ
 THD: 120V and 277V < 10%
 1-lamp 14W 120V, 2-lamp 277V < 15%
 1-lamp 14W < 40% 1-lamp 21W 277V < 20%

Case Size: Series MU

Due to continuing efforts to offer improved products all specifications are subject to change without prior notice

1/02/11

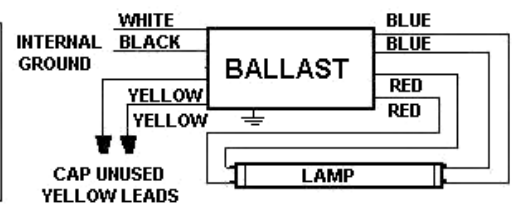
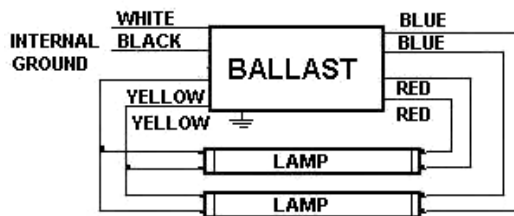
NO. OF LAMPS	INPUT VOLTAGE	LAMP WATTS	INPUT WATTS AVERAGE	MAX INPUT CURRENT (A)	BALLAST FACTOR	MODEL
2 & 1	120V	21/14	47/24, 33/17	0.40/0.20, 0.28/0.15	0.90/1.0 0.90/1.0	NU221T5RS-ROHS
2 & 1	277V	21/14	47/24, 33/17	0.17/0.09, 0.13/0.07	0.93/1.0 0.93/1.0	"

LIMITED WARRANTY

5 YEAR at maximum case temperature 75 deg C. 3 YEAR at maximum case temperature 90 deg C. Manufacturer warrants to the purchaser: Electronic Ballast will be free from defects in material or workmanship from the date of manufacture conditioned upon proper storage, installation, use, and maintenance and conformance with any recommendations of Manufacturer.

Lead Length

Colour	inch	cm
Black	18.8	48
White	18.8	48
Blue	30.9	78.5
Red	30.9	78.5
Yellow	46.4	118



WARNING: Always Disconnect Power Before Handling.
 Case Should be Grounded. Install in Accordance
 with National and Local Electrical Codes.

Series MU, MS L W H ML
 Case Size: 241mm 43.8mm 29.5mm 226mm
 9.5inch 1.72inch 1.16inch 8.9inch

LINEAR T5 1 or 2x21W, 14W, 13W

Programmed Start (Low Profile)

Programmed Start (Series) Universal Voltage 120V-277V or 347V, High Frequency Electronic ballast for Linear Standard T5 one or two (1 or 2) 21W, 14W, 13W GE, Philips or Osram Fluorescent lamps.

Technical Specification:

UL Listed, CUL Certified, ROHS Compliant
 EMI FCC Parts 18, Subparts C, Class A
 Rating: Type 1 Outdoor, HL
 Sound Rating: Class A
 Min. Starting Temp : - 30° C
 Max. Case Temp: 90° C
 End of Lamp Life Protection Circuit

Surge Protection: Meets ANSI C62.41
 Thermal Protection: CLASS P
 Lamp Current Crest Factor: < 1.6
 Remote Mounting Distance: 21 ft
 Power Factor: 0.99
 Input Frequency: 50/60HZ
 THD: 120V and 277V < 10%
 277V 1-lamp 14/13W < 15%

Case Size: Series E5

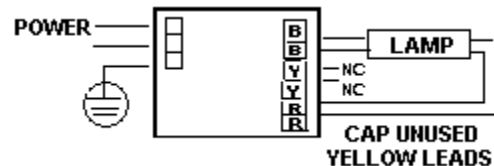
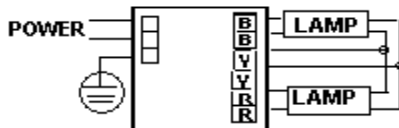
Due to continuing efforts to offer improved products all specifications are subject to change without prior notice

9/10/11

NO. OF LAMPS	INPUT VOLTAGE	LAMP WATTS	INPUT WATTS AVERAGE	MAX INPUT CURRENT (A)	BALLAST FACTOR	MODEL
2 & 1	120V	21/14/13	50/34, 26/18, 26/17	0.40/0.28, 0.21/0.15, 0.21/0.15	1.0/1.05	NU221T5-ROHS
2 & 1	277V	21/14/13	50/34, 26/18, 26/17	0.18/0.12, 0.09/0.06, 0.09/0.06	1.0/1.05	"
2 & 1	347V	21/14/13	50/34, 26/18, 26/17	0.14/0.09, 0.07/0.05, 0.07/0.05	1.0/1.05	NC221T5-ROHS

LIMITED WARRANTY

5 YEAR at maximum case temperature 75 deg C. 3 YEAR at maximum case temperature 90 deg C. Manufacturer warrants to the purchaser: Electronic Ballast will be free from defects in material or workmanship from the date of manufacture conditioned upon proper storage, installation, use, and maintenance and conformance with any recommendations of Manufacturer.



WARNING: Always Disconnect Power Before Handling.
Case Should be Grounded. Install in Accordance with National and Local Electrical Codes.

Case Size: L W H ML
 Series E5 292mm 34mm 27mm 285mm
 11.5inch 1.34inch 1.06inch 11.25inch

LINEAR T5 1 or 2x35W, 28W

Programmed Start (Low Profile)

Programmed Start (Series) Universal Voltage 120V-277V or 347V, High Frequency Electronic ballast for Linear Standard T5 one or two (1 or 2) 35W, 28W GE, Philips, or Osram Fluorescent lamps.

Technical Specification:

UL Listed, CUL Certified, ROHS Compliant
 Factory ISO-9002 Certified
 EMI FCC Parts 18, Subparts C, Class A
 Rating: Type 1 Outdoor, HL
 Sound Rating: Class A
 Min. Starting Temp : - 30° C
 Max. Case Temp: 90° C
 End of Lamp Life Protection Circuit

Surge Protection: Meets ANSI C62.41
 Thermal Protection: CLASS P
 IR Interference: None
 Lamp Current Crest Factor: < 1.6
 Remote Mounting Distance: 21 ft
 Power Factor: 0.99
 Input Frequency: 50/60HZ

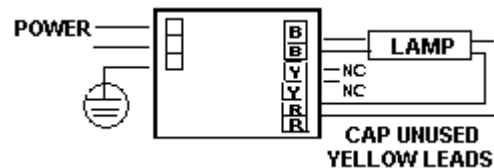
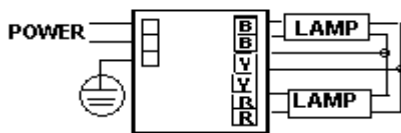
Case Size: Series E5

Due to continuing efforts to offer improved products all specifications are subject to change without prior notice 13/01/13

NO. OF LAMPS	INPUT VOLTAGE	LAMP WATTS	INPUT WATTS AVERAGE	MAX INPUT CURRENT (A)	THD (%)	BALLAST FACTOR	MODEL
2 & 1	120V	35/28	80/40 & 68/35	0.66/0.33 & 0.56/0.29	<10	0.95/1.05	NU235T5-ROHS
2 & 1	277V	35/28	80/40 & 68/35	0.28/0.14 & 0.24/0.12	<10/15	0.95/1.05	"
2 & 1	347V	35/28	78/40 & 66/35	0.23/0.12 & 0.19/0.11	<10/25	0.95/1.01	NC235T5-ROHS5

LIMITED WARRANTY

5 YEAR at maximum case temperature 75 deg C. 3 YEAR at maximum case temperature 90 deg C. Manufacturer warrants to the purchaser: Electronic Ballast will be free from defects in material or workmanship from the date of manufacture conditioned upon proper storage, installation, use, and maintenance and conformance with any recommendations of Manufacturer.



WARNING: Always Disconnect Power Before Handling.
Case Should be Grounded. Install in Accordance with National and Local Electrical Codes.

Case Size: L W H ML
Series E5 292mm 34mm 27mm 285mm
 11.5inch 1.34inch 1.06inch 11.25inch

LINEAR T5 1 or 2x28W, 35W

Programmed Start

Programmed Start (Series) Universal Voltage 120V-277V or 347V, High Frequency Electronic ballast for Linear T5 Fluorescent one or two (1 or 2) 28W, 35W GE, Philips, or Osram lamps.

Technical Specification:

UL Listed, CUL Certified
 EMI FCC Parts 18, Subparts C, Class A
 Rating: Type 1 Outdoor HL
 Sound Rating: Class A
 Min. Starting Temp : - 30° C
 Max. Case Temp: 90° C
 End of Lamp Life Protection Circuit

Surge Protection: Meets ANSI C62.41
 Thermal Protection: CLASS P
 Lamp Current Crest Factor: < 1.6
 Remote Mounting Distance: 21 ft
 Power Factor: 0.99
 Input Frequency: 50/60HZ
 THD: < 10% 277V 1-lamp < 20%
 347V 1-lamp < 30%

Case Size: Series MU

Due to continuing efforts to offer improved products all specifications are subject to change without prior notice

2/10/09

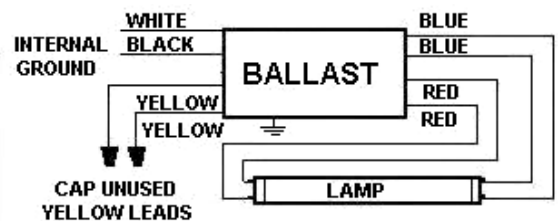
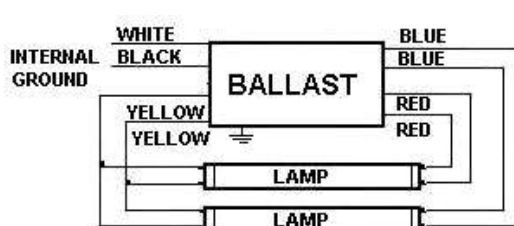
NO. OF LAMPS	INPUT VOLTAGE	LAMP WATTS	INPUT WATTS AVERAGE	MAX INPUT CURRENT (A)	BALLAST FACTOR	MODEL
2/1	120V	35/28	84/42 68/35	0.69/0.35 0.56/0.29	>0.93/1.05	NU235T5RS-ROHS
2/1	277V	35/28	84/42 68/35	0.29/0.15 0.24/0.12	>0.95/1.05	"
2/1	347V	35/28	80/41 66/35	0.23/0.13 0.19/0.11	>0.95/1.0	NC235T5RS-ROHS

LIMITED WARRANTY

5 YEAR at maximum case temperature 75 deg C. 3 YEAR at maximum case temperature 90 deg C. Manufacturer warrants to the purchaser: Electronic Ballast will be free from defects in material or workmanship from the date of manufacture conditioned upon proper storage, installation, use, and maintenance and conformance with any recommendations of Manufacturer.

Lead Length

Colour	inch	cm
Black	18.8	48
White	18.8	48
Blue	30.9	78.5
Red	30.9	78.5
Yellow	46.4	118



WARNING: Always Disconnect Power Before Handling.
 Case Should be Grounded. Install in Accordance with National and Local Electrical Codes.

Series MU, MS L W H ML
 Case Size: 241mm 43.8mm 29.5mm 226mm
 9.5inch 1.72inch 1.16inch 8.9inch

LINEAR T5 3 or 4x35, 28W, 21W, 14W

Programmed Instant Start Parallel

Programmed Instant Start (parallel) High Frequency Electronic ballast for Linear Standard T5 Four or three (4 or 3) 35W, 28W, 21W, 14W GE, Philips, or Osram Fluorescent lamps.

Technical Specification:

UL Listed, CUL Certified ROHS compliant
 EMI FCC Parts 18, Subparts C, Class A
 Rating: Type 1 Outdoor
 Sound Rating: Class A
 Min. Starting Temp : - 10° C
 Max. Case Temp: 90° C
 Power Factor: 0.99
 End of Lamp Life Protection Circuit

Surge Protection: Meets ANSI C62.41
 Thermal Protection: CLASS P
 Lamp Current Crest Factor: < 1.7
 Remote Mounting Distance: 21 ft
 Input Frequency: 50/60HZ
 THD: < 10%
 3-lamp 14W 277V < 30%
 4-lamp 14W, 21W 277V < 15%

Case Size: Series FS2

Due to continuing efforts to offer improved products all specifications are subject to change without prior notice

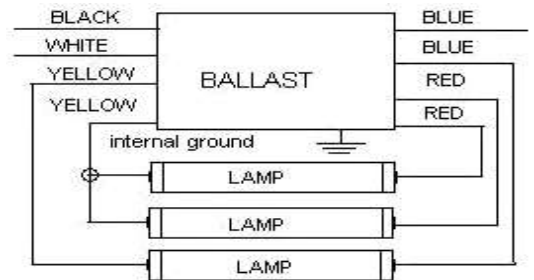
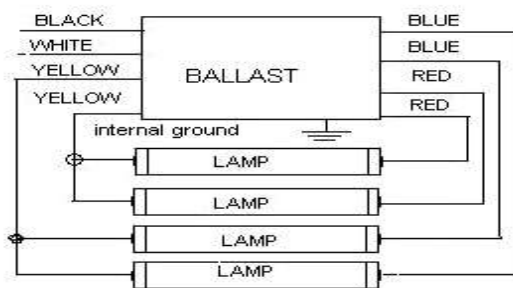
NO. OF LAMPS	INPUT VOLTAGE	LAMP WATTS	INPUT WATTS	MAX INPUT CURRENT (A)	BALLAST FACTOR	MODEL
3	120V	35/28/21/14	105/84/65/46	0.88/0.70/0.54/0.38	0.88/.86/.90/.92	NLU435T5IS-ROHS
3	277V	35/28/21/14	105/84/65/46	0.38/0.30/0.23/0.17	0.88/.86/.90/.92	"
3	347V	35/28/21/14	105/84/65/46	0.30/0.24/0.19/0.13	0.88/.86/.90/.92	NLC435T5IS-ROHS
4	120V	35/28/21/14	124/100/78/55	1.03/0.83/0.65/0.46	0.85/.86/.86/.86	NLU435T5IS-ROHS
4	277V	35/28/21/14	124/100/78/55	0.45/0.36/0.28/0.20	0.85/.85/.86/.86	"
4	347V	35/28/21/14	124/100/78/55	0.36/0.29/0.22/0.16	0.82/.85/.86/.86	NLC435T5IS-ROHS

LIMITED WARRANTY

5 YEAR at maximum case temperature 75 deg C. 3 YEAR at maximum case temperature 90 deg C. Manufacturer warrants to the purchaser: Electronic Ballast will be free from defects in material or workmanship from the date of manufacture conditioned upon proper storage, installation, use, and maintenance and conformance with any recommendations of Manufacturer.

Lead Length

Colour	inch	cm
Black	18.8	48
White	18.8	48
Blue	30.9	78.5
Red	30.9	78.5
Yellow	46.4	118



Insulate unused blue lead for 3-lamp operation

WARNING: Always Disconnect Power Before Handling.
 Case Should be Grounded. Install in Accordance
 with National and Local Electrical Codes.

Series FS2 Case Size: L 241mm 9.5inch W 59mm 2.3inch H 37mm 1.46inch ML 226mm 8.9inch

901 - 3rd Street West, North Vancouver, BC V7P 3P9 Canada
 TEL: 604-904-9533
 www.sagedrivers.com www.sagelighting.com

Sage Lighting Ltd.

LINEAR HO T5 1 or 2x24W

Programmed Start (Low Profile)

Programmed Start (Series) Universal Voltage 120V-277V or 347V, High Frequency Electronic ballast for one or two (1 or 2) Linear HO T5 24W GE, Philips, or Osram Fluorescent lamps.

Technical Specification:

UL Listed, CUL Certified, ROHS Compliant
 EMI FCC Parts 18, Subparts C, Class A
 Rating: Type 1 Outdoor, HL
 Sound Rating: Class A
 Min. Starting Temp : - 30° C
 Max. Case Temp: 90° C
 End of Lamp Life Protection Circuit

Surge Protection:
 Thermal Protection:
 Lamp Current Crest Factor:
 Remote Mounting Distance:
 Power Factor:
 Input Frequency:
 THD:

Meets ANSI C62.41
 CLASS P
 < 1.6
 21 ft
 0.99
 50/60HZ
 < 10%

Case Size: Series E5

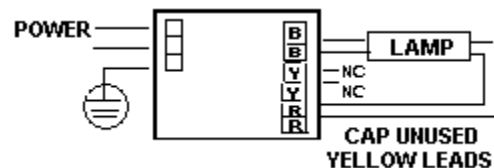
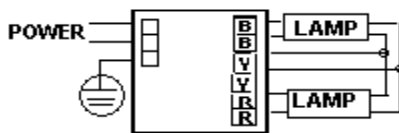
Due to continuing efforts to offer improved products all specifications are subject to change without prior notice

9/10/11

NO. OF LAMPS	INPUT VOLTAGE	LAMP WATTS	INPUT WATTS AVERAGE	MAX INPUT CURRENT (A)	BALLAST FACTOR	MODEL
2 & 1	120V	24	52/28	0.43/0.23	1.0/1.05	NLU224T5-ROHS
2 & 1	277V	24	52/28	0.19/0.10	1.0/1.05	"
2 & 1	347V	24	52/28	0.15/0.08	1.0/1.05	NLC224T5-ROHS

LIMITED WARRANTY

5 YEAR at maximum case temperature 75 deg C. 3 YEAR at maximum case temperature 90 deg C. Manufacturer warrants to the purchaser: Electronic Ballast will be free from defects in material or workmanship from the date of manufacture conditioned upon proper storage, installation, use, and maintenance and conformance with any recommendations of Manufacturer.



WARNING: Always Disconnect Power Before Handling.
Case Should be Grounded. Install in Accordance with National and Local Electrical Codes.

Case Size: L W H ML
 Series E5 292mm 34mm 27mm 285mm
 11.5inch 1.34inch 1.06inch 11.25inch

LINEAR HO T5 1 or 2x24W

Programmed Start

Programmed Start (Series) Universal Voltage 120V-277V or 347V, High Frequency Electronic ballast for Linear HO T5 Fluorescent one or two (1 or 2) 24W GE, Philips, or Osram lamps.

Technical Specification:

UL Listed, CUL Certified, ROHS Compliant
 EMI FCC Parts 18, Subparts C, Class A
 Rating: Type 1 Outdoor HL
 Sound Rating: Class A
 Min. Starting Temp : - 30° C
 Max. Case Temp: 90° C
 End of Lamp Life Protection Circuit

Surge Protection: Meets ANSI C62.41
 Thermal Protection: CLASS P
 Lamp Current Crest Factor: < 1.7
 Remote Mounting Distance: 21 ft
 Power Factor: 0.99
 Input Frequency: 50/60HZ
 THD: < 10% 1-Lamp <15%
 277V, 347V 2-lamp <15% 1-Lamp < 20%

Case Size: Series MU

Due to continuing efforts to offer improved products all specifications are subject to change without prior notice

2/03/14

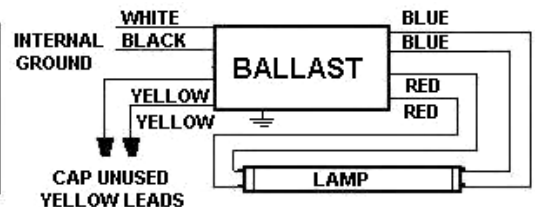
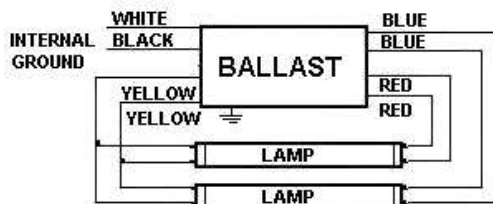
NO. OF LAMPS	INPUT VOLTAGE	LAMP WATTS	INPUT WATTS AVERAGE	MAX INPUT CURRENT (A)	BALLAST FACTOR	MODEL
1/2	120V	24	48/26	0.21/0.39	0.99/0.94	NLU224T5RS-ROHS
1/2	277V	24	48/26	0.18/0.09	0.99/0.94	“
1/2	347V	24	48/26	0.14/0.07	0.80/0.90	NLC224T5RS-ROHS

LIMITED WARRANTY

5 YEAR at maximum case temperature 75 deg C. 3 YEAR at maximum case temperature 90 deg C. Manufacturer warrants to the purchaser: Electronic Ballast will be free from defects in material or workmanship from the date of manufacture conditioned upon proper storage, installation, use, and maintenance and conformance with any recommendations of Manufacturer.

Lead Length

Colour	inch	cm
Black	18.8	48
White	18.8	48
Blue	30.9	78.5
Red	30.9	78.5
Yellow	46.4	118



WARNING: Always Disconnect Power Before Handling.
Case Should be Grounded. Install in Accordance with National and Local Electrical Codes.

Series MU, MS	L	W	H	ML
Case Size:	241mm	43.8mm	29.5mm	226mm
	9.5inch	1.72inch	1.16inch	8.9inch

LINEAR HO T5 1 or 2x39W

Programmed Start (Low Profile)

Programmed Start (Series) Universal Voltage 120V-277V or 347V, High Frequency Electronic ballast for one or two 1 or 2) Linear HO T5 39W GE, Philips, or Osram Fluorescent lamps.

Technical Specification:

UL Listed, CUL Certified, ROHS Compliant
 EMI FCC Parts 18, Subparts C, Class A
 Rating: Type 1 Outdoor, HL
 Sound Rating: Class A
 Min. Starting Temp : - 30° C
 Max. Case Temp: 90° C
 End of Lamp Life Protection Circuit

Surge Protection:
 Thermal Protection:
 Lamp Current Crest Factor:
 Remote Mounting Distance:
 Power Factor:
 Input Frequency:
 THD:

Meets ANSI C62.41
 CLASS P
 < 1.6
 21 ft
 0.99
 50/60HZ
 < 10%

Case Size: Series E3

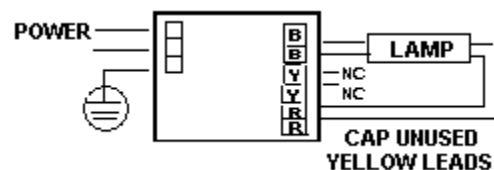
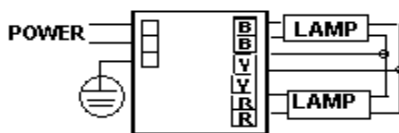
Due to continuing efforts to offer improved products all specifications are subject to change without prior notice

5/09/111

NO. OF LAMPS	INPUT VOLTAGE	LAMP WATTS	INPUT WATTS AVERAGE	MAX INPUT CURRENT (A)	BALLAST FACTOR	MODEL
2 & 1	120V	39	81/41	0.68/0.34	1.0/1.05	NLU239T5-ROHS
2 & 1	277V	39	81/41	0.29/0.15	1.0/1.05	"
2 & 1	347V	39	81/41	0.23/0.12	1.0/1.05	NLC239T5-ROHS

LIMITED WARRANTY

5 YEAR at maximum case temperature 75 deg C. 3 YEAR at maximum case temperature 90 deg C. Manufacturer warrants to the purchaser: Electronic Ballast will be free from defects in material or workmanship from the date of manufacture conditioned upon proper storage, installation, use, and maintenance and conformance with any recommendations of Manufacturer.



WARNING: Always Disconnect Power Before Handling.
 Case Should be Grounded. Install in Accordance
 with National and Local Electrical Codes.

Case Size: L W H ML
 Series E3 325 mm 34mm 29mm 317mm
 12.8inch 1.34inch 1.14inch 12.48inch

LINEAR HO T5 1 or 2x39W

Programmed Start

Programmed Start (Series) Universal Voltage 120V-277V or 347V, High Frequency Electronic ballast for Linear HO T5 Fluorescent one or two (1 or 2) 39W GE, Philips, or Osram lamps.

Technical Specification:

UL Listed, CUL Certified, ROHS Compliant
 EMI FCC Parts 18, Subparts C, Class A
 Rating: Type 1 Outdoor, HL
 Sound Rating: Class A
 Min. Starting Temp : - 30° C
 Max. Case Temp: 90° C
 End of Lamp Life Protection Circuit

Surge Protection: Meets ANSI C62.41
 Thermal Protection: CLASS P
 Lamp Current Crest Factor: < 1.6
 Remote Mounting Distance: 21 ft
 Power Factor: 0.99
 Input Frequency: 50/60HZ
 THD: < 10%
 277V, 347V 1-lamp < 15%

Case Size: Series MU

Due to continuing efforts to offer improved products all specifications are subject to change without prior notice

3/09/111

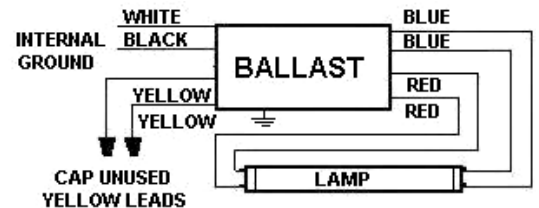
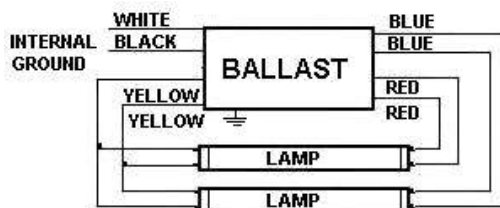
NO. OF LAMPS	INPUT VOLTAGE	LAMP WATTS	INPUT WATTS AVERAGE	MAX INPUT CURRENT (A)	BALLAST FACTOR	MODEL
1/2	120V	39	80/42	0.68/0.38	0.90/0.91	NLU239T5RS-ROHS
1/2	277V	39	82/42	0.29/0.15	0.90/0.91	“
1/2	347V	39	82/42	0.23/0.12	0.90/0.91	NLC239T5RS-ROHS

LIMITED WARRANTY

5 YEAR at maximum case temperature 75 deg C. 3 YEAR at maximum case temperature 90 deg C. Manufacturer warrants to the purchaser: Electronic Ballast will be free from defects in material or workmanship from the date of manufacture conditioned upon proper storage, installation, use, and maintenance and conformance with any recommendations of Manufacturer.

Lead Length

Colour	inch	cm
Black	18.8	48
White	18.8	48
Blue	30.9	78.5
Red	30.9	78.5
Yellow	46.4	118



WARNING: Always Disconnect Power Before Handling.
 Case Should be Grounded. Install in Accordance with National and Local Electrical Codes.

Series MU, MS L W H ML
 Case Size: 241mm 43.8mm 29.5mm 226mm
 9.5inch 1.72inch 1.16inch 8.9inch

BIAX (TT5) 1 or 2x55W, 50W LINEAR HO T5 1 or 2x54W or 2x39W

Programmed Start (Slim Low Profile, High Case Temperature)

Programmed Start (Series) Universal Voltage 120V-277V or 347V, High Frequency Electronic ballast for one or two (1 or 2) Biax (TT5) 55W, 50W, Linear HO T5 54W, or two (2) Linear HO T5 39W GE, Philips, Osram Fluorescent lamps.

Technical Specification:

UL Listed, CUL Certified, ROHS Compliant
EMI FCC Parts 18, Subparts C, Class A
Rating: Type 1 Outdoor, HL
Sound Rating: Class A
Min. Starting Temp : - 30° C
Max. Case Temp: 90° C
End of Lamp Life Protection Circuit

Surge Protection: Meets ANSI C62.41
Thermal Protection: CLASS P
Lamp Current Crest Factor: < 1.6
Remote Mounting Distance: 21 ft
Power Factor: 0.99
Input Frequency: 50/60HZ

Case Size: Series E8

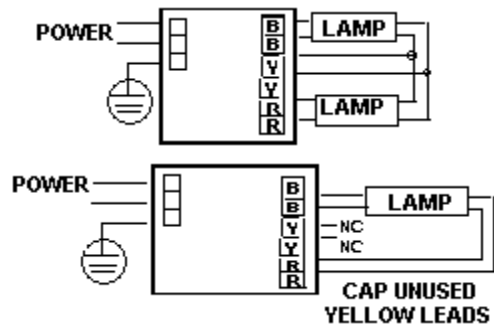
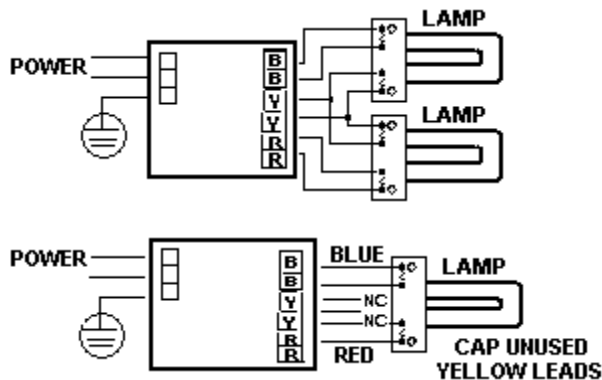
Due to continuing efforts to offer improved products all specifications are subject to change without prior notice

1/07/09

NO. OF LAMPS	INPUT VOLTAGE	LAMP WATTS	INPUT WATTS AVERAGE	MAX INPUT CURRENT (A)	THD %	BALLAST FACTOR	MODEL
2	120V	54/55/50/39	116/107/112/92	0.97/0.89/0.93/0.76	10/10/10/10	1.0	NU254T5-ROHS
1	120V	54/55/50	60/56/58	0.50/0.46/0.48	10/10/10	1.0-1.04	"
2	277V	54/55/50/39	117/113/112/92	0.42/0.40/0.40/0.33	10/15/15/15	1.0	"
1	277V	54/55/50	63/59/59	0.23/0.21/0.21	15/20/15	1.0-1.08	"
2	347V	54/55/50/39	116/111/111/90	0.33/0.32/0.32/0.26	10/15/10/15	0.92-1.02	NC254T5-ROHS
1	347V	54/55/50	62/58/58	0.18/0.17/0.17	15/20/15	0.93-1.05	"

LIMITED WARRANTY

5 YEAR at maximum case temperature 75 deg C. 3 YEAR at maximum case temperature 90 deg C. Manufacturer warrants to the purchaser: Electronic Ballast will be free from defects in material or workmanship from the date of manufacture conditioned upon proper storage, installation, use, and maintenance and conformance with any recommendations of Manufacturer.



WARNING: Always Disconnect Power Before Handling.
Case Should be Grounded. Install in Accordance
with National and Local Electrical Codes.

Series E8 L W H ML
Case Size: 420 mm 27 mm 29 mm 400 mm
16.5inch 1.06inch 1.14inch 15.7inch

901 - 3rd Street West, North Vancouver, BC V7P 3P9 Canada
TEL: 604-904-9533
www.sagedrivers.com www.sagelighting.com

*Sage
Lighting Ltd.*

BIAX (TT5) 1 or 2x55W, 50W LINEAR HO T5 1 or 2x54W or 2x39W

Programmed Start (Low Profile, High Case Temperature)

Programmed Start (Series) Universal Voltage 120V-277V or 347V, High Frequency Electronic ballast for one or two (1 or 2) Biax (TT5) 55W, 50W, Linear HO T5 54W, or two (2) Linear HO T5 39W GE, Philips, Osram Fluorescent lamps.

Technical Specification:

UL Listed, CUL Certified, ROHS compliant
EMI FCC Parts 18, Subparts C, Class A
Rating: Type 1 Outdoor, HL
Sound Rating: Class A
Min. Starting Temp : - 30° C
Max. Case Temp: 90° C
End of Lamp Life Protection Circuit

Surge Protection: Meets ANSI C62.41
Thermal Protection: CLASS P
Lamp Current Crest Factor: < 1.6
Remote Mounting Distance: 21 ft
Power Factor: 0.99
Input Frequency: 50/60HZ
THD: < 10%

Case Size: Series E3

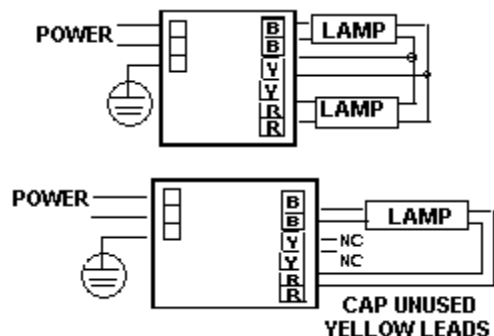
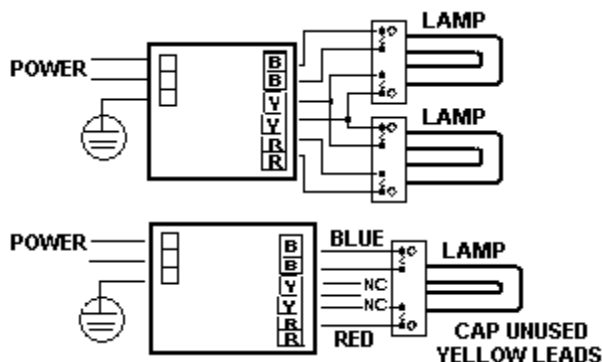
Due to continuing efforts to offer improved products all specifications are subject to change without prior notice

9/09/07

NO. OF LAMPS	INPUT VOLTAGE	LAMP WATTS	INPUT WATTS AVERAGE	MAX INPUT CURRENT (A)	BALLAST FACTOR	MODEL
2 & 1	120V	54/55	117/63 & 111/61	0.97/0.52 & 0.92/0.50	1.0/1.05	NU255T5-ROHS
2 & 1	277V	54/55	117/63 & 111/61	0.42/0.22 & 0.40/0.22	1.0/1.05	"
2 & 1	347V	54/55	117/63 & 111/61	0.33/0.18 & 0.31/0.17	1.0/1.05	NC255T5-ROHS

LIMITED WARRANTY

5 YEAR at maximum case temperature 75 deg C. 3 YEAR at maximum case temperature 90 deg C. Manufacturer warrants to the purchaser: Electronic Ballast will be free from defects in material or workmanship from the date of manufacture conditioned upon proper storage, installation, use, and maintenance and conformance with any recommendations of Manufacturer.



WARNING: Always Disconnect Power Before Handling.
Case Should be Grounded. Install in Accordance with National and Local Electrical Codes.

Case Size: L W H ML
Series E3 325 mm 34mm 29mm 317mm
12.8inch 1.34inch 1.14inch 12.48inch

BIAX (TT5) 1 or 2x55W, 50W LINEAR HO T5 1 or 2x54W or 2x39W

Programmed Start

Programmed Start (Series) Universal Voltage 120V-277V or 347V, High Frequency Electronic ballast for one or two (1 or 2) Biax (TT5) 55W, 50W, or Linear HO T5 54W or two (2) 39W GE, Philips, or Osram Fluorescent lamps.

Technical Specification:

UL Listed, CUL Certified, ROHS Compliant
EMI FCC Parts 18, Subparts C, Class A
Rating: Type 1 Outdoor, HL
Sound Rating: Class A
Min. Starting Temp : - 30° C
Max. Case Temp: 90° C
End of Lamp Life Protection Circuit

Surge Protection: Meets ANSI C62.41
Thermal Protection: CLASS P
Lamp Current Crest Factor: < 1.6
Remote Mounting Distance: 21 ft
Power Factor: 0.99
Input Frequency: 50/60HZ
THD: < 10%

Case Size: Series MU

Due to continuing efforts to offer improved products all specifications are subject to change without prior notice

11/10/09

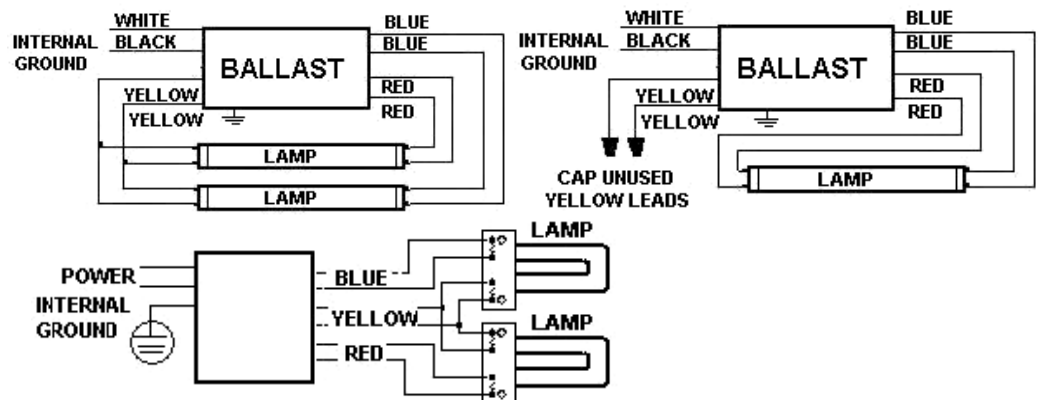
NO. OF LAMPS	INPUT VOLTAGE	LAMP WATTS	INPUT WATTS AVERAGE	MAX INPUT CURRENT (A)	BALLAST FACTOR	MODEL
2 & 1	120V	54/55/50	115/122/105 & 62/61/58	1.01/0.51	0.93~1.07	SXU255T5-ROHS
2 & 1	277V	54/55/50	115/122/105 & 62/61/58	0.44/0.22	0.93~1.07	"
2 & 1	347V	54/55/50	115/122/105 & 62/61/58	0.35/0.17	0.93~1.07	SXC255T5-ROHS

LIMITED WARRANTY

5 YEAR at maximum case temperature 75 deg C. 3 YEAR at maximum case temperature 90 deg C. Manufacturer warrants to the purchaser: Electronic Ballast will be free from defects in material or workmanship from the date of manufacture conditioned upon proper storage, installation, use, and maintenance and conformance with any recommendations of Manufacturer

Lead Length

Colour	inch	cm
Black	18.8	48
White	18.8	48
Blue	30.9	78.5
Red	30.9	78.5
Yellow	46.4	118



WARNING: Always Disconnect Power Before Handling.
Case Should be Grounded. Install in Accordance with National and Local Electrical Codes.

Series MU, MS L W H ML
Case Size: 241mm 43.8mm 29.5mm 226mm
9.5inch 1.72inch 1.16inch 8.9inch

BIAX (TT5) 1,2,3 or 4x55W, 50W

LINEAR HO T5 1,2,3 or 4x54W or 2,4x39W

Programmed Start (Low Profile, High Case Temperature)

Programmed Start (Series) Universal Voltage 120V-277V or 347V, High Frequency Electronic ballast for one, two, three or four (1,2,3 or 4) Bix (TT5) 55W, 50W, Linear HO T5 54W, or two, four (2,4) Linear HO T5 39W GE, Philips, Osram Fluorescent lamps.

Technical Specification:

UL Listed, CUL Certified, ROHS Compliant
 EMI FCC Parts 18, Subparts C, Class A
 Rating: Type 1 Outdoor, HL
 Sound Rating: Class A
 Min. Starting Temp : - 30° C
 Max. Case Temp: 90° C
 End of Lamp Life Protection Circuit

Surge Protection: Meets ANSI C62.41
 Thermal Protection: CLASS P
 Lamp Current Crest Factor: < 1.6
 Remote Mounting Distance: 21 ft
 Power Factor: 0.99
 Input Frequency: 50/60HZ
 THD: < 10%

Case Size: Series E6

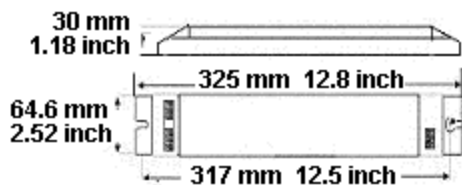
Due to continuing efforts to offer improved products all specifications are subject to change without prior notice

1/07/09

NO. OF LAMPS	INPUT VOLTAGE	LAMP WATTS	INPUT WATTS AVERAGE	MAX INPUT CURRENT (A)	BALLAST FACTOR	MODEL
3	120V	54/55/50	180/169/167	1.5/1.3/1.4	1.05/0.95/1.05	NU45T5-ROHS
4	120V	54/55/50/39	238/218/220/183	1.9/1.73/1.8/1.5	1.0/0.90/1.03/1.0	“
3	277V	54/55/50	169/153/156	1.5/1.3/1.4	1.05/0.95/1.05	NU45T5-ROHS
4	277V	54/55/50/39	238/218/220/183	1.9/1.7/1.72/1.5	1.0/0.90/1.04/1.02	“
3	347V	54/55/50	180/169/167	0.52/0.49/0.48	1.0/0.90/1.02	NC45T5-ROHS
4	347V	54/55/50/39	238/218/220/183	0.68/0.64/0.64/0.53	1.0/0.90/1.02/1.0	“

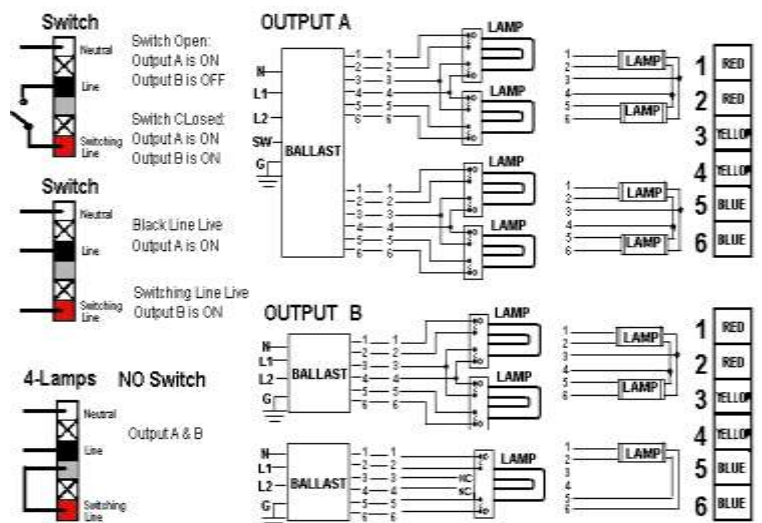
LIMITED WARRANTY

5 YEAR at maximum case temperature 75 deg C. 3 YEAR at maximum case temperature 90 deg C. Manufacturer warrants to the purchaser: Electronic Ballast will be free from defects in material or workmanship from the date of manufacture conditioned upon proper storage, installation, use, and maintenance and conformance with any recommendations of Manufacturer.



Series E6	L	W	H	ML
Case Size:	325 mm 12.8inch	64.6mm 2.52inch	30mm 1.18inch	317mm 12.5inch

WARNING: Always Disconnect Power Before Handling.
Case Should be Grounded. Install in Accordance with National and Local Electrical Codes.



BIAX (TT5) 1 x 96W, 80W

LINEAR HO T5 1 x 80W

Programmed Start (Low Profile, High Case Temperature)

Programmed Start (Series) Universal Voltage 120V-277V, 220-240V, 100V, or 347V, High Frequency Electronic ballast for one (1) Bixax (TT5) 96W, 80W or Linear HO T5 80W GE, Philips, Osram Fluorescent lamps.

Technical Specification:

UL Listed, CUL Certified, ROHS compliant
 EMI FCC Parts 18, Subparts C, Class A
 Rating: Type 1 Outdoor, HL
 Sound Rating: Class A
 Min. Starting Temp : - 30° C
 Max. Case Temp: 90° C
 End of Lamp Life Protection Circuit

Surge Protection:
 Thermal Protection:
 Lamp Current Crest Factor:
 Remote Mounting Distance:
 Power Factor:
 Input Frequency:
 THD:

Meets ANSI C62.41
 CLASS P
 < 1.6
 21 ft
 0.99
 50/60HZ
 < 10%

Case Size: Series E3

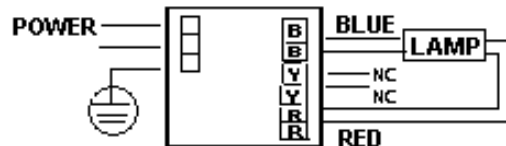
Due to continuing efforts to offer improved products all specifications are subject to change without prior notice

9/01/11

NO. OF LAMPS	INPUT VOLTAGE	LAMP WATTS	INPUT WATTS AVERAGE	MAX INPUT CURRENT (A)	BALLAST FACTOR	MODEL
1	120V	96/80	100/84	0.84/0.69	0.90/1.0	SU180T5-ROHS
1	277V	96/80	100/84	0.35/0.30	0.90/1.0	"
1	347V	96/80	100/84	0.29/0.24	0.90/1.0	SC180T5-ROHS

LIMITED WARRANTY

5 YEAR at maximum case temperature 75 deg C. 3 YEAR at maximum case temperature 90 deg C. Manufacturer warrants to the purchaser: Electronic Ballast will be free from defects in material or workmanship from the date of manufacture conditioned upon proper storage, installation, use, and maintenance and conformance with any recommendations of Manufacturer.



WARNING: Always Disconnect Power Before Handling.
 Case Should be Grounded. Install in Accordance
 with National and Local Electrical Codes.

Case Size: L W H ML
 Series E3 325 mm 34mm 29mm 317mm
 12.8inch 1.34inch 1.14inch 12.48inch

Sage

Electronic Fluorescent BIAX (TT5) Ballasts

120-277V & 347V

BIAX (TT5) 1 or 2x18W, 2x13W

Programmed Start New Slim Case Size with leads

Programmed Start (Series) Universal Voltage 120V-277V High Frequency Electronic ballast for one or two (1 or 2) 18W or two (2) 13W BiAx (TT5) GE, Philips, or Osram Fluorescent lamps.

Technical Specification:

UL Listed, CUL Certified, ROHS Compliant
 EMI FCC Parts 18, Subparts C, Class A
 Rating: Type 1 Outdoor, HL
 Sound Rating: Class A
 Min. Starting Temp : - 30° C
 Max. Case Temp: 90° C
 End of Lamp Life Protection Circuit

Surge Protection: Meets ANSI C62.41
 Thermal Protection: CLASS P
 Lamp Current Crest Factor: < 1.7
 Remote Mounting Distance: 21 ft
 Power Factor: 0.99
 Input Frequency: 50/60HZ
 THD: < 10% < 15% for 1 – lamp

Case Size: Series C5U

Due to continuing efforts to offer improved products all specifications are subject to change without prior notice

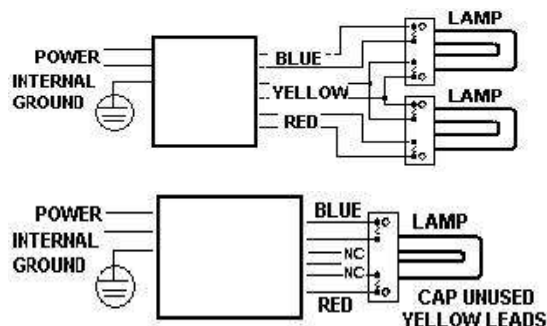
01/02/12

NO. OF LAMPS	INPUT VOLTAGE	LAMP WATTS	INPUT WATTS AVERAGE	MAX INPUT CURRENT (A)	BALLAST FACTOR	MODEL
2	120V	18/13	36/31	0.30/0.26	0.88/0.95	NAU126BX18-ROHS
2	230V	18/13	36/31	0.16/0.13	0.89/0.96	“
2	277V	18/13	36/31	0.13/0.12	0.89/0.96	“
1	120V	18	19	0.16	0.93	“
1	230V	18	19	0.08	0.94	“
1	277V	18	19	0.07	0.94	“

LIMITED WARRANTY

5 YEAR at maximum case temperature 75 deg C. 3 YEAR at maximum case temperature 90 deg C. Manufacturer warrants to the purchaser: Electronic Ballast will be free from defects in material or workmanship from the date of manufacture conditioned upon proper storage, installation, use, and maintenance and conformance with any recommendations of Manufacturer.

Colour	inch	cm
Black	18.8	48
White	18.8	48
Blue	18.8	48
Red	18.8	48
Yellow	18.8	48



WARNING: Always Disconnect Power Before Handling.
 Case Should be Grounded. Install in Accordance
 with National and Local Electrical Codes.

Series C5U L W H ML
 Case Size: 164 mm 47 mm 29 mm 150 mm
 6.5inch 1.9inch 1.14inch 5.9inch

COMPACT 1 or 2x18W, 13W, 1x26W
BIAX (TT5) 1 or 2x18W, 2x13W
2D 1 or 2x16W, 1x38W, 28W, 21W
LINEAR T5 1 or 2x14W, 1x28W, 21W

Programmed Start New Slim Case Size with leads

Programmed Start (Series) Universal Voltage 120V-277V or 347V High Frequency Electronic ballast for Compact, BiAx (TT5), 2D, or Linear T8, T5 GE, Philips, or Osram Fluorescent lamps.

Technical Specification:

UL Listed, CUL Certified, ROHS Compliant
 EMI FCC Parts 18, Subparts C, Class A
 Rating: Type 1 Outdoor, HL
 Sound Rating: Class A
 Min. Starting Temp : - 30° C
 Max. Case Temp: 90° C
 End of Lamp Life Protection Circuit

Surge Protection: Meets ANSI C62.41
 Thermal Protection: CLASS P
 Lamp Current Crest Factor: < 1.6
 Remote Mounting Distance: 21 ft
 Power Factor: 0.99
 Input Frequency: 50/60HZ
 THD: < 10% < 20% for 1 - lamp 347V

Case Size: Series C5U

Due to continuing efforts to offer improved products all specifications are subject to change without prior notice

2/02/12

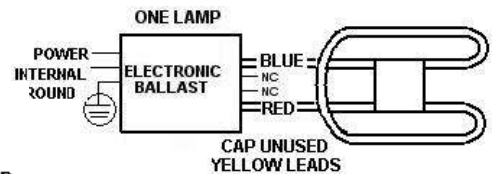
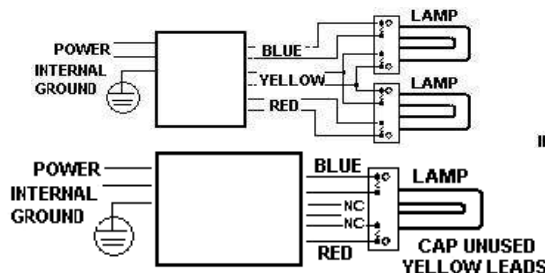
NO. OF LAMPS	INPUT VOLTAGE	LAMP WATTS	INPUT WATTS AVERAGE	MAX INPUT CURRENT (A)	BALLAST FACTOR	MODEL
2	120V	18/13	39/33	0.33/0.29	0.88/0.91	NAU126-ROHS
2	277V	18/13	39/33	0.15/0.12	0.88/0.91	"
2	347V	18/13	39/33	0.12/0.10	0.88/0.91	NAC126
1	120V	28/26/18/13	35/23/20/17	0.29/0.19/0.17/0.14	1.0/0.79/0.92/0.94	NAU126-ROHS
1	277V	28/26/18/13	35/23/20/17	0.14/0.09/0.08/0.07	1.0/0.78/0.92/0.95	"
1	347V	28/26/18/13	35/23/20/17	0.11/0.07/0.06/0.05	1.0/0.78/0.92/0.95	NAC126

LIMITED WARRANTY

5 YEAR at maximum case temperature 75 deg C. 3 YEAR at maximum case temperature 90 deg C. Manufacturer warrants to the purchaser: Electronic Ballast will be free from defects in material or workmanship from the date of manufacture conditioned upon proper storage, installation, use, and maintenance and conformance with any recommendations of Manufacturer.

Lead Length

Colour	inch	cm
Black	18.8	48
White	18.8	48
Blue	18.8	48
Red	18.8	48
Yellow	18.8	48



WARNING: Always Disconnect Power Before Handling.
Case Should be Grounded. Install in Accordance with National and Local Electrical Codes.

Series C5U L W H ML
 Case Size: 164 mm 47 mm 29 mm 150 mm
 6.5inch 1.9inch 1.14inch 5.9inch



COMPACT 1 or 2x32W, 2x26W, 1x42W 2D 1 or 2x21W, 28W BIAX (TT5) 1x50W, 40W, 36W, 2x36W, 27W, 24W LINEAR T5 1 or 2x21W

Programmed Start Small Case Size

Programmed Start (Series) Universal Voltage 125VDC (special order) or 120V-277V or 347V High Frequency Electronic ballast Fluorescent lamps.

Technical Specification:

UL Listed, CUL Certified, **ROHS Compliant**

EMI FCC Parts 18, Subparts C, Class A

Rating: Type 1 Outdoor, HL

Sound Rating: Class A

Min. Starting Temp: -30° C

Max. Case Temp: 90° C

End of Lamp Life Protection Circuit

For Bottom leads Specify **"B"** at the end of Model #

Surge Protection: Meets ANSI C62.41

Thermal Protection: CLASS P

Lamp Current Crest Factor: < 1.6

Remote Mounting Distance: 21 ft

Power Factor: 0.99

Input Frequency: 50/60HZ

THD: < 10%

Case Size: Series C2U

Due to continuing efforts to offer improved products all specifications are subject to change without prior notice

7/02/12

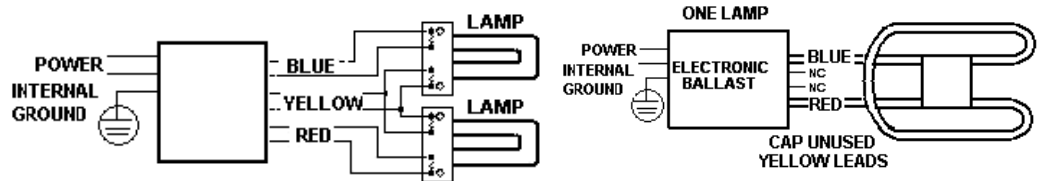
NO. OF LAMPS	INPUT VOLTAGE	LAMP WATTS	INPUT WATTS AVERAGE	MAX INPUT CURRENT (A)	BALLAST FACTOR	MODEL
2 / 1	125VDC	32/2624 42/32	69/58/54 48/34	0.55/0.46/0.43 0.370/.27	0.85/0.88/0.93/0.90	NAU232-125DC
2	120V	36/32/26/24	62/69/58/54	0.52/0.58/0.48/0.45	0.85/0.88/0.93/0.90	NAU232-ROHS
2	277V	36/32/26/24	62/69/58/54	0.22/0.25/0.21/0.20	0.85/0.88/0.93/0.90	"
2	347V	36/32/26/24	62/69/58/54	0.18/0.20/0.17/0.16	0.80/0.87/0.93/0.90	NAC232-ROHS
1	120V	50/42/40/36/32	48/46/43/34/34	0.4/0.39/0.36/0.29	0.81/0.9/1.0/0.85/0.9	NAU232-ROHS
1	277V	50/42/40/36/32	48/46/43/34/34	0.17/0.17/0.16/0.12	0.81/0.9/1.0/0.85/0.9	"
1	347V	50/42/40/36/32	48/46/43/34/34	0.14/0.13/0.12/0.10	0.80/0.9/1.0/0.85/0.9	NAC232-ROHS

LIMITED WARRANTY

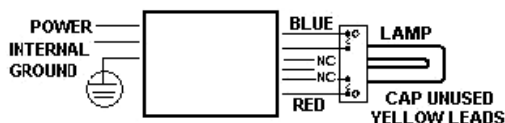
5 YEAR at maximum case temperature 75 deg C. 3 YEAR at maximum case temperature 90 deg C. Manufacturer warrants to the purchaser: Electronic Ballast will be free from defects in material or workmanship from the date of manufacture conditioned upon proper storage, installation, use, and maintenance and conformance with any recommendations of Manufacturer.

Lead Length

Colour	inch	cm
Black	18.8	48
White	18.8	48
Blue	18.8	48
Red	18.8	48
Yellow	18.8	48



**WARNING: Always Disconnect Power Before Handling.
Case Should be Grounded. Install in Accordance
with National and Local Electrical Codes.**



Series C2U L W H ML
Case Size: 127mm 62mm 30mm 113mm
5.0inch 2.5inch 1.18inch 4.45inch

COMPACT 1 or 2x32W, 2x26W, 1x42W 2D 1 or 2x28W, 21W BIAX (TT5) 1x50W, 40W, 36W, 2x36W, 27W, 24W LINEAR T5 2x21W

New Programmed Start Slim Case Size

Programmed Start (Series) Universal Voltage 120V-277V or 347V High Frequency Electronic ballast Fluorescent lamps.

Technical Specification:

UL Listed, CUL Certified, ROHS Compliant
EMI FCC Parts 18, Subparts C, Class A
Rating: Type 1 Outdoor, HL
Sound Rating: Class A
Min. Starting Temp : - 30° C
Max. Case Temp: 90° C
End of Lamp Life Protection Circuit

Surge Protection: Meets ANSI C62.41
Thermal Protection: CLASS P
Lamp Current Crest Factor: < 1.6
Remote Mounting Distance: 21 ft
Power Factor: 0.99
Input Frequency: 50/60HZ
THD: < 10% 1 - lamp 347V < 15%

Case Size: Series C5U

Due to continuing efforts to offer improved products all specifications are subject to change without prior notice

4/02/12

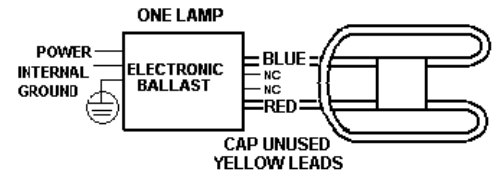
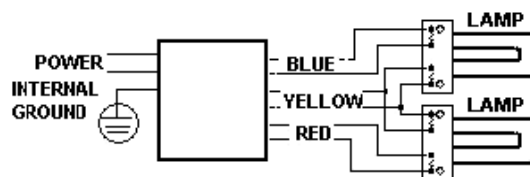
NO. OF LAMPS	INPUT VOLTAGE	LAMP WATTS	INPUT WATTS AVERAGE	MAX INPUT CURRENT (A)	BALLAST FACTOR	MODEL
2	120V	36/32/26/24	62/69/58/54	0.52/0.58/0.48/0.45	0.85/0.88/0.93/0.90	NAU142-ROHS
2	277V	36/32/26/24	62/69/58/54	0.22/0.25/0.21/0.20	0.85/0.88/0.93/0.90	"
2	347V	36/32/26/24	62/69/58/54	0.18/0.20/0.17/0.16	0.80/0.87/0.93/0.90	NAC142-ROHS
1	120V	50/42/40/36/32	48/46/43/34/34	0.4/0.39/0.36/0.29	0.81/0.9/1.0/0.85/0.9	NAU142-ROHS
1	277V	50/42/40/36/32	48/46/43/34/34	0.17/0.17/0.16/0.12	0.81/0.9/1.0/0.85/0.9	"
1	347V	50/42/40/36/32	48/46/43/34/34	0.14/0.13/0.12/0.10	0.80/0.9/1.0/0.85/0.9	NAC142-ROHS

LIMITED WARRANTY

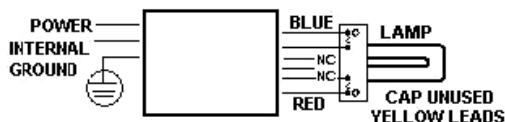
5 YEAR at maximum case temperature 75 deg C. 3 YEAR at maximum case temperature 90 deg C. Manufacturer warrants to the purchaser: Electronic Ballast will be free from defects in material or workmanship from the date of manufacture conditioned upon proper storage, installation, use, and maintenance and conformance with any recommendations of Manufacturer.

Lead Length

Colour	inch	cm
Black	18.8	48
White	18.8	48
Blue	18.8	48
Red	18.8	48
Yellow	18.8	48



**WARNING: Always Disconnect Power Before Handling.
Case Should be Grounded. Install in Accordance
with National and Local Electrical Codes.**



Series C5U L W H ML
Case Size: 164 mm 47 mm 29 mm 150 mm
6.5inch 1.9inch 1.14inch 5.9inch

BIAX (TT5) 1 or 2x24W, 18W or 1x27W

Programmed Start

Programmed Start (Series) Universal Voltage 120V-277V or 347V, High Frequency Electronic ballast for one or two (1 or 2) Bix (TT5) 24W, 18W or one (1) 27W Philips, GE or Osram Fluorescent lamps.

Technical Specification:

UL Listed, CUL Certified, ROHS Compliant
 EMI FCC Parts 18, Subparts C, Class A
 Rating: Type 1 Outdoor, HL
 Sound Rating: Class A
 Min. Starting Temp : - 30° C
 Max. Case Temp: 90° C
 End of Lamp Life Protection Circuit

Surge Protection:
 Thermal Protection:
 Lamp Current Crest Factor:
 Remote Mounting Distance:
 Power Factor:
 Input Frequency:
 THD:
 1-lamp

Meets ANSI C62.41
 CLASS P
 < 1.6
 21 ft
 0.99
 50/60HZ
 < 10%
 < 20%

Case Size: Series C1U

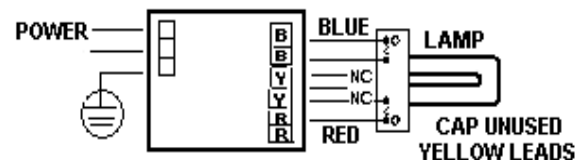
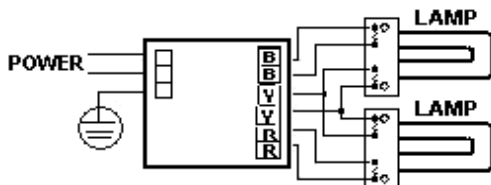
Due to continuing efforts to offer improved products all specifications are subject to change without prior notice

12/03/14

NO. OF LAMPS	INPUT VOLTAGE	LAMP WATTS	INPUT WATTS AVERAGE	MAX INPUT CURRENT (A)	BALLAST FACTOR	MODEL
2	120V	24/18	52/37	0.42/0.31	0.90/0.94	NXU224-ROHS
2	277V	24/18	52/37	0.18/0.13	0.90/0.94	"
2	347V	24/18	52/37	0.15/0.11	0.90/0.90	NXC224
1	120V	27/24/18	25/28/20	0.21/0.23/0.17	0.80/0.93/0.97	NXU224-ROHS
1	277V	27/24/18	25/28/20	0.09/0.10/0.07	0.80/0.93/0.97	"
1	347V	27/24/18	25/28/20	0.07/0.08/0.06	0.80/0.93/0.94	NXC224

LIMITED WARRANTY

5 YEAR at maximum case temperature 75 deg C. 3 YEAR at maximum case temperature 90 deg C. Manufacturer warrants to the purchaser: Electronic Ballast will be free from defects in material or workmanship from the date of manufacture conditioned upon proper storage, installation, use, and maintenance and conformance with any recommendations of Manufacturer



WARNING: Always Disconnect Power Before Handling.
 Case Should be Grounded. Install in Accordance
 with National and Local Electrical Codes.

Series C1U L W H ML
 Case Size: 132mm 62mm 30mm 122mm
 5.2inch 2.5inch 1.18inch 4.8inch

BIAX (TT5) 1 or 2x27W, 24W, 18W

Programmed Start

Programmed Start (Series) Universal Voltage 120V-277 or 347V High Frequency Electronic ballast for one or two (1 or 2) Biax (TT5) 27W, 24W, 18W Philips, GE or Osram Fluorescent lamps.

Technical Specification:

UL Listed, CUL Certified, ROHS Compliant
 EMI FCC Parts 18, Subparts C, Class A
 Rating: Type 1 Outdoor, HL
 Sound Rating: Class A
 Min. Starting Temp : - 30° C
 Max. Case Temp: 90° C
 End of Lamp Life Protection Circuit

Surge Protection: Meets ANSI C62.41
 Thermal Protection: CLASS P
 Lamp Current Crest Factor: < 1.6
 Remote Mounting Distance: 21 ft
 Power Factor: 0.99
 Input Frequency: 50/60HZ

Case Size: Series MU

Due to continuing efforts to offer improved products all specifications are subject to change without prior notice

9/03/14

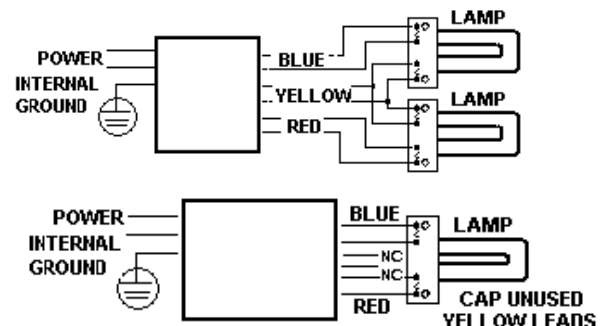
NO. OF LAMPS	INPUT VOLTAGE	LAMP WATTS	INPUT WATTS AVERAGE	MAX INPUT CURRENT (A)	BALLAST FACTOR	THD	MODEL
2	120V	27/24/18	48/52/37	0.40/0.43/0.31	0.80/0.90/0.94	< 10/10/10 %	NXU224RS-ROHS
2	277V	27/24/18	48/52/37	0.18/0.19/0.14	0.80/0.90/0.94	< 10/15/15 %	“
2	347V	27/24/18	47/51/36	0.140.15/0.11	0.80/0.90/0.94	< 10/15/15 %	NXC224RS
1	120V	27/24/18	26/28/20	0.22/0.24/0.17	0.90/0.93/0.97	< 15/15/15 %	NXU224RS-ROHS
1	277V	27/24/18	26/28/20	0.09/0.10/0.07	0.85/0.93/0.97	< 15/20/25 %	“
1	347V	27/24/18	25/27/20	0.07/0.08/0.06	0.85/0.93/0.97	< 15/20/25 %	NXC224RS

LIMITED WARRANTY

5 YEAR at maximum case temperature 75 deg C. 3 YEAR at maximum case temperature 90 deg C. Manufacturer warrants to the purchaser: Electronic Ballast will be free from defects in material or workmanship from the date of manufacture conditioned upon proper storage, installation, use, and maintenance and conformance with any recommendations of Manufacturer

Lead Length

Colour	inch	cm
Black	18.8	48
White	18.8	48
Blue	30.9	78.5
Red	30.9	78.5
Yellow	46.4	118



WARNING: Always Disconnect Power Before Handling.
Case Should be Grounded. Install in Accordance with National and Local Electrical Codes.

Series MU, MS L W H ML
 Case Size: 241mm 43.8mm 29.5mm 226mm
 9.5inch 1.72inch 1.16inch 8.9inch

LINEAR T8 1 or 2x40W, 36W, 32W, 25W BIAX (TT5) 1 or 2x40W

Programmed Start High BF 1.20 for 32W T8

Programmed Start (series) Universal Voltage 120V-277V or 347V, High Frequency Electronic ballast for one or two Linear T8 40W, 36W, 32W, 25W or BiAx (TT5) 40W GE, Philips, or Osram Fluorescent lamps.

Technical Specification:

UL Listed, CUL Certified, ROHS Compliant
EMI FCC Parts 18, Subparts C, Class A
Rating: Type 1 Outdoor, HL
Sound Rating: Class A
Min. Starting Temp : - 30° C for 120-277V,
- 10° C for 347V
Max. Case Temp: 90° C
End of Lamp Life Protection Circuit

Surge Protection: Meets ANSI C62.41
Thermal Protection: CLASS P
Lamp Current Crest Factor: < 1.7
Remote Mounting Distance: 21 ft
Power Factor: 0.99
Input Frequency: 50/60HZ
THD: 120V < 10%
1-lamp 25W,32W,40W 277V, 347V <15%

Case Size: Series MU, MS

Due to continuing efforts to offer improved products all specifications are subject to change without prior notice

6/10/09

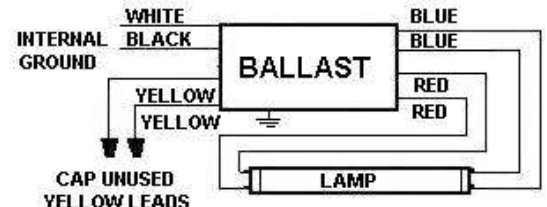
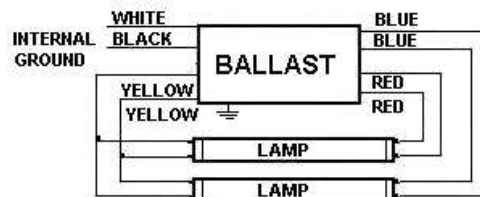
NO. OF LAMPS	INPUT VOLTAGE	LAMP WATTS	INPUT WATTS	MAX INPUT CURRENT (A)	BALLAST FACTOR	MODEL
2	120V	40/36/32/25	91/68/75/57	0.76/0.57/0.62/0.48	0.91/0.89/1.20/0.92	NU240T8RS-ROHS
2	277V	40/36/32/25	93/69/76/58	0.34/0.25/0.28/0.21	0.94/0.92/1.30/0.95	"
2	347V	40/36/32/25	95/68/75/57	0.27/0.20/0.22/0.16	0.90/0.89/1.20/0.92	NC240T8RS-ROHS
1	120V	40/36/32/25	51/36/41/32	0.43/0.30/0.34/0.26	1.00/0.95/1.40/1.17	NU240T8RS-ROHS
1	277V	40/36/32/25	53/36/42/32	0.19/0.14/0.16/0.11	1.00/1.00/1.45/1.17	"
1	347V	40/36/32/25	50/36/41/32	0.15/0.10/0.12/0.10	0.95/0.95/1.45/1.17	NC240T8RS-ROHS
2/1	120V	40 BIAx TT5	78/41	0.65/0.34	0.91/1.02	NU240T8RS-ROHS
2/1	277V	40 BIAx TT5	78/41	0.28/0.15	0.91/1.02	"
2/1	347V	40 BIAx TT5	82/43	0.24/0.13	0.98/1.06	NC240T8RS-ROHS

LIMITED WARRANTY

5 YEAR at maximum case temperature 75 deg C. 3 YEAR at maximum case temperature 90 deg C. Manufacturer warrants to the purchaser: Electronic Ballast will be free from defects in material or workmanship from the date of manufacture conditioned upon proper storage, installation, use, and maintenance and conformance with any recommendations of Manufacturer.

Lead Length

Colour	inch	cm
Black	18.8	48
White	18.8	48
Blue	30.9	78.5
Red	30.9	78.5
Yellow	46.4	118



WARNING: Always Disconnect Power Before Handling.
Case Should be Grounded. Install in Accordance
with National and Local Electrical Codes.

Series MU, MS L W H ML
Case Size: 241mm 43.8mm 29.5mm 226mm
9.5inch 1.72inch 1.16inch 8.9inch

BIAX (TT5) 1 or 2x40W, 36W or 2x39W COMPACT 1 or 2x32W Programmed Start

Programmed Start (series) Universal Voltage 120V-277V, or 347V, High Frequency Electronic ballast for one or two Biax 40W, 36W or two 39W or one or two (1or 2) 32W Compact GE, Philips, or Osram Fluorescent lamps.

Technical Specification:

UL Listed, CUL Certified, ROHS Compliant
 EMI FCC Parts 18, Subparts C, Class A
 Rating: Type 1 Outdoor, HL
 Sound Rating: Class A
 Min. Starting Temp : - 30° C
 Max. Case Temp: 90° C
 End of Lamp Life Protection Circuit

Surge Protection: Meets ANSI C62.41
 Thermal Protection: CLASS P
 Lamp Current Crest Factor: < 1.6
 Remote Mounting Distance: 21 ft
 Power Factor: 0.99
 Input Frequency: 50/60HZ
 THD: < 10%
 27W, 24W, 1-lamp 347V < 15%

Case Size: Series MU

Due to continuing efforts to offer improved products all specifications are subject to change without prior notice

15/10/09

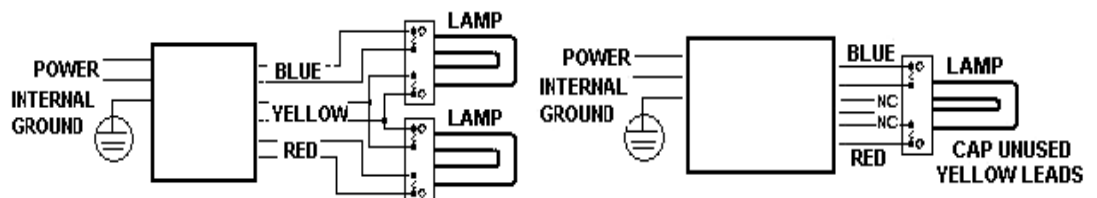
NO. OF LAMPS	INPUT VOLTAGE	LAMP WATTS	INPUT WATTS	MAX INPUT CURRENT (A)	BALLAST FACTOR	MODEL
2	120V	40/36/39/32	87/64/68/67	0.72/0.53/0.57/.56	0.88/0.95/0.7/0.88	NXU240RS-ROHS
2	277V	40/36/39/32	87/64/68/68	0.31/0.23/0.25/.25	0.89/0.8/0.70/0.9	“
2	347V	40/36/39/32 27/24	87/64/68/67 58/52	0.25/0.18/0.20/0.2 0.17/0.15	0.89/0.90/0.70/0.88 0.75/0.80	NCX240RS-ROHS
1	120V	40/36/32	46/34/35	0.38/0.28/0.29	0.93/0.85/0.90	NXU240RS-ROHS
1	277V	40/36/32	46/35/35	0.17/0.13/0.13	0.94/0.85/0.90	“
1	347V	40/36/32	46/34/35	0.14/0.10/0.10	0.94/0.90/0.90	NCX240RS-ROHS

LIMITED WARRANTY

5 YEAR at maximum case temperature 75 deg C. 3 YEAR at maximum case temperature 90 deg C. Manufacturer warrants to the purchaser: Electronic Ballast will be free from defects in material or workmanship from the date of manufacture conditioned upon proper storage, installation, use, and maintenance and conformance with any recommendations of Manufacturer

Lead Length

Colour	inch	cm
Black	18.8	48
White	18.8	48
Blue	30.9	78.5
Red	30.9	78.5
Yellow	46.4	118



WARNING: Always Disconnect Power Before Handling.
 Case Should be Grounded. Install in Accordance
 with National and Local Electrical Codes.

Series MU, MS L W H ML
 Case Size: 241mm 43.8mm 29.5mm 226mm
 9.5inch 1.72inch 1.16inch 8.9inch

COMPACT 1 or 2x42W, 32W, 2x26W BIAX 1 or 2x40W, 39W, 36W 1x55W, 50W Programmed Start

Programmed Start (Series) Universal Voltage 120V-277V or 347V, High Frequency Electronic ballast for one or two (1 or 2) Compact 42W, 32W, or two (2) 26W or Biax 40W, 39W, 36W, or one (1) 55W, 50W GE, Philips or Osram Fluorescent lamps.

Technical Specification:

UL Listed, CUL Certified, ROHS compliant
EMI FCC Parts 18, Subparts C, Class A
Rating: Type 1 Outdoor, HL
Sound Rating: Class A
Min. Starting Temp : - 30° C
Max. Case Temp: 90° C
End of Lamp Life Protection Circuit

Surge Protection: Meets ANSI C62.41
Thermal Protection: CLASS P
Lamp Current Crest Factor: < 1.6
Remote Mounting Distance: 21 ft
Power Factor: 0.99
Input Frequency: 50/60HZ
THD: 120V, 347V <10%
277V <20% 1-lamp <30%
Ballast Factor: >0.90

Dual Terminal Blocks no studs

Case Size: Series C3U

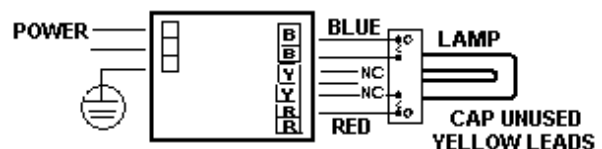
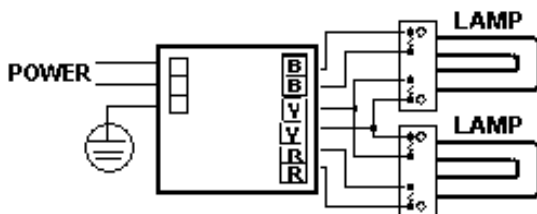
Due to continuing efforts to offer improved products all specifications are subject to change without prior notice

5/09/11

NO. OF LAMPS	INPUT VOLTAGE	LAMP WATTS	INPUT WATTS	MAX INPUT CURRENT (A)	MODEL
2	120V	42/32/26 & 40/39/36	88/66/56 & 79/64/62	0.74/0.55/0.46 & 0.66/0.54/0.51	NCC242/B-ROHS
2	277V	42/32/26 & 40/39/36	88/66/56 & 79/64/62	0.32/0.24/0.21 & 0.28/0.24/0.22	"
2	347V	42/32/26 & 40/39/36	88/68/67 & 80/66/66	0.26/0.20/0.18 & 0.22/0.19/0.20	NCC242/B-ROHS
1	120V	42/32/26 & 50/40/36	45/35/28 & 47/42/33	0.38/0.30/0.24 & 0.39/0.36/0.28	NCC242/B-ROHS
1	277V	42/32/26 & 50/40/36	45/35/31 & 47/44/33	0.16/0.13/0.13 & 0.18/0.17/0.13	"
1	347V	42/32/26 & 50/40/36	45/35/31 & 47/44/34	0.13/0.10/0.09 & 0.14/0.13/0.10	NCC242/B-ROHS

LIMITED WARRANTY

5 YEAR at maximum case temperature 75 deg C. 3 YEAR at maximum case temperature 90 deg C. Manufacturer warrants to the purchaser: Electronic Ballast will be free from defects in material or workmanship from the date of manufacture conditioned upon proper storage, installation, use, and maintenance and conformance with any recommendations of Manufacturer.



**WARNING: Always Disconnect Power Before Handling.
Case Should be Grounded. Install in Accordance
with National and Local Electrical Codes.**

Series C3U L W H ML
Case Size: 127mm 77mm 34mm 117mm
5.0inch 3.03inch 1.3inch 4.6inch

COMPACT 1 or 2x42W, 32W, 26W

BIAX 1 or 2x40W, 39W, 36W, 1x55W, 50W

Programmed Start

Programmed Start (Series) Universal Voltage 120V-277V or 347V, High Frequency Electronic ballast for one or two (1 or 2) Compact 42W, 32W, 26W or Biax 40W, 39W, 36W, or one (1) 55W, 50W GE, Philips or Osram Fluorescent lamps.

Technical Specification:

UL Listed, CUL Certified, ROHS compliant
 EMI FCC Parts 18, Subparts C, Class A
 Rating: Type 1 Outdoor, HL
 Sound Rating: Class A
 Min. Starting Temp : - 30° C
 Max. Case Temp: 90° C
 End of Lamp Life Protection Circuit

Surge Protection:
 Thermal Protection:
 Lamp Current Crest Factor:
 Remote Mounting Distance:
 Power Factor:
 Input Frequency:
 THD:

Meets ANSI C62.41
 CLASS P
 < 1.6
 21 ft
 0.99
 50/60HZ
 < 10%

For Bottom leads Specify "B" at the end of Model #

Case Size: Series C4U

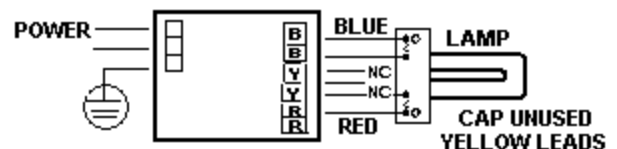
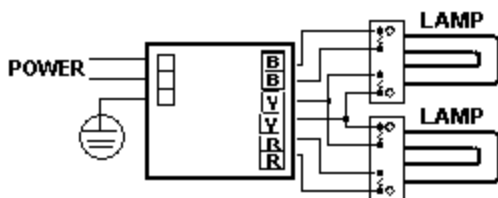
Due to continuing efforts to offer improved products all specifications are subject to change without prior notice

9/06/09

NO. OF LAMPS	INPUT VOLTAGE	LAMP WATTS	INPUT WATTS	MAX INPUT CURRENT (A)	BALLAST FACTOR	MODEL
2	120V	42/32/26 & 40/36	87/6755 & 79/62	0.73/0.57/0.49 & 0.68/0.52	0.90	NCU242-ROHS
2	230V	42/32/26 & 40/36	87/6755 & 79/62	0.38/0.29/0.25 & 0.35/0.28	0.90	"
2	277V	42/32/26 & 40/36	87/6755 & 79/62	0.31/0.24/0.20 & 0.28/0.22	0.90	"
2	347V	42/32/26 & 40/36	87/6755 & 79/62	0.25/0.19/0.16 & 0.22/0.17	0.90	NCC242-ROHS
1	120V	42/32/26 & 40/36	46/34/28 & 43/34	0.38/0.28/0.24 & 0.35/0.28	0.90	NCU242-ROHS
1	230V	42/32/26 & 40/36	46/34/28 & 43/34	0.20/0.16/0.12 & 0.19/0.15	0.90	"
1	277V	42/32/26 & 40/36	46/34/28 & 43/34	0.16/0.12/0.10 & 0.15/0.12	0.90	"
1	347V	42/32/26 & 40/36	46/34/28 & 43/34	0.13/0.09/0.08 & 0.12/0.09	0.90	NCC242-ROHS

LIMITED WARRANTY

5 YEAR at maximum case temperature 75 deg C. 3 YEAR at maximum case temperature 90 deg C. Manufacturer warrants to the purchaser: Electronic Ballast will be free from defects in material or workmanship from the date of manufacture conditioned upon proper storage, installation, use, and maintenance and conformance with any recommendations of Manufacturer.



WARNING: Always Disconnect Power Before Handling.
Case Should be Grounded. Install in Accordance with National and Local Electrical Codes.

Series C4U L W H ML
 Case Size: 165 mm 73 mm 29 mm 150 mm
 6.49inch 2.87inch 1.14inch 5.9inch

COMPACT 3x42W, 32W, 26W BIAX (TT5) 3x40W, 39W, 36W

Programmed Rapid Start

Programmed Rapid Start (series) Electronic High Frequency ballast for three (3) Biax (TT5) 40W, 39W, 36W or Compact 42W, 32W, 26W GE, Philips or Osram Fluorescent lamps.

Technical Specification:

UL Listed, CUL Certified, ROHS compliant
EMI FCC Parts 18, Subparts C, Class A
Rating: Type 1 Outdoor
Sound Rating: Class A
Min. Starting Temp : - 10° C
Max. Case Temp: 90° C

Surge Protection:
Thermal Protection:
Lamp Current Crest Factor: < 1.6
Remote Mounting Distance: 21 ft
Power Factor: 0.99
Input Frequency: 50/60HZ

Meets ANSI C62.41
CLASS P
21 ft
0.99
50/60HZ

For Bottom leads Specify "B" at the end of Model #

Case Size: Series FS2

Due to continuing efforts to offer improved products all specifications are subject to change without prior notice

3/01/10

NO. OF LAMPS	INPUT VOLTAGE	LAMP WATTS	AVERAGE INPUT WATTS	MAX INPUT CURRENT (A)	BALLAST FACTOR	THD %	MODEL
3	120V	40/39/36	119/102/75	0.99/0.88/0.79	1.13/0.85/0.90	<10	NAU342RS-ROHS
3	230V	40/39/36	119/102/75	0.50/0.44/0.32	1.07/0.80/0.90	<10	"
3	277V	40/39/36	119/102/75	0.43/0.38/0.35	1.07/0.81/0.90	<10/10/15	"
3	120V	42/32/26	122/85/73	1.01/0.71/0.61	0.88/0.92/0.85	<10	NAU342RS-ROHS
3	230V	42/32/26	122/85/73	0.53/0.37/0.32	0.88/0.87/0.90	<10	"
3	277V	42/32/26	122/85/73	0.44/0.31/0.29	0.88/0.87/0.90	<10	"

LIMITED WARRANTY

5 YEAR at maximum case temperature 75 deg C. 3 YEAR at maximum case temperature 90 deg C. Manufacturer warrants to the purchaser: Electronic Ballast will be free from defects in material or workmanship from the date of manufacture conditioned upon proper storage, installation, use, and maintenance and conformance with any recommendations of Manufacturer

Lead Length

Colour	inch	cm
Black	18.8	48
White	18.8	48
Blue	30.9	78.5
Red	30.9	78.5
Yellow	46.4	118



WARNING: Always Disconnect Power Before Handling.
Case Should be Grounded. Install in Accordance
with National and Local Electrical Codes.

Series FS2
Case Size: L 241mm 9.5inch W 59mm 2.3inch H 37mm 1.46inch ML 226mm 8.9inch

BIAX (TT5) 1 or 2x40W, 39W, 36W

BIAX (TT5) ES 1 or 2x40W (28W, 25W)

Programmed Instant Start

Programmed Instant Start (parallel) Universal Voltage 120V-277V, or 347V High Frequency Electronic ballast for Bix TT5 40W 39W, 36W or Bix TT5 ES 28W, 25W GE, Philips, or Osram Fluorescent lamps.

Technical Specification:

UL Listed, CUL Certified, ROHS compliant
 EMI FCC Parts 18, Subparts C, Class A
 Rating: Type 1 Outdoor HL
 Sound Rating: Class A
 Min. Starting Temp: -18° C
 Max. Case Temp: 75° C
 End of Lamp Life Protection Circuit

Surge Protection: Meets ANSI C62.41
 Thermal Protection: CLASS P
 Lamp Current Crest Factor: < 1.6
 Remote Mounting Distance: 21 ft
 Power Factor: 0.99
 Input Frequency: 50/60HZ

Case Size: Series MU

Due to continuing efforts to offer improved products all specifications are subject to change without prior notice

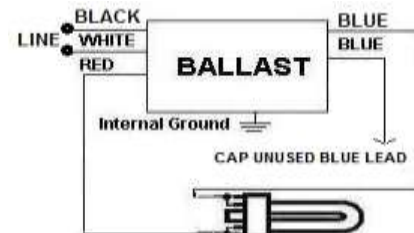
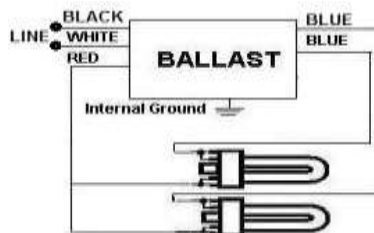
NO. OF LAMPS	INPUT VOLTAGE	LAMP WATTS	INPUT WATTS	MAX INPUT CURRENT (A)	BALLAST FACTOR	THD%	MODEL
2	120V	40/39/36	68/58/55	0.57/0.48/0.46	0.88/0.65/0.77	< 10	SXU240PIS-ROHS
2	120V	40ES 28/25	62/57	0.53/0.49	0.88/0.88	< 10	“
1	120V	40/39/36	42/35/32	0.35/0.29/0.26	1.0/0.80/0.90	< 10	“
1	120V	40ES 28/25	38/35	0.32/0.30	1.0/1.0	< 10	“
2	277V	40/39/36	68/58/55	0.25/0.21/0.20	0.90/0.68/0.80	< 10	“
2	277V	40ES 28/25	62/57	0.22/0.20	0.90/0.90	< 10	“
1	277V	40/39/36	42/35/32	0.16/0.13/0.13	1.01/0.76/0.85	< 15	“
1	277V	40ES 28/25	38/35	0.13/0.12	1.01/1.01	< 15	“
2	347V	40/39/36	68/56/54	0.196/0.16/0.156	0.88/0.69/0.80	< 10	SXC240PIS-ROHS
2	347V	40ES 28/25	62/57	0.18/0.17	0.88/0.88	< 10	“
1	347V	40ES 28/25	41/34/32	0.12/0.10/0.10	1.05/1.05	< 15	“
1	347V	40/39/36	38/35	0.11/0.10	1.05/1.05	< 20	“

LIMITED WARRANTY

5 YEAR at maximum case temperature 75 deg C. Manufacturer warrants to the purchaser: Electronic Ballast will be free from defects in material or workmanship from the date of manufacture conditioned upon proper storage, installation, use, and maintenance and conformance with any recommendations of Manufacturer

Lead Length

Colour	inch	cm
Black	18.8	48
White	18.8	48
Blue	30.9	78.5
Red	46.4	118



WARNING: Always Disconnect Power Before Handling.
Case Should be Grounded. Install in Accordance with National and Local Electrical Codes.

Series MU, MS L W H ML
 Case Size: 241mm 43.8mm 29.5mm 226mm
 9.5inch 1.72inch 1.16inch 8.9inch

BIAX (TT5) 2 or 3x40W, 39W, 36W

BIAX (TT5) ES 2 or 3x40W (28W, 25W)

Programmed Instant Start (Parallel)

Programmed Instant Start (parallel) Universal Voltage 120V-277V, or 347V Electronic High Frequency ballast for Biax TT5 40W 39W, 36W, ES 28W, 25W GE, Philips or Osram Fluorescent lamps.

Technical Specification:

UL Listed, CUL Certified, ROHS compliant
 EMI FCC Parts 18, Subparts C, Class A
 Rating: Type 1 Outdoor
 Min. Starting Temp : - 18° C
 Max. Case Temp: 75° C
 Sound Rating: Class A
 End of Lamp Life Protection Circuit

Surge Protection: Meets ANSI C62.41
 Thermal Protection: CLASS P
 Lamp Current Crest Factor: < 1.6
 Remote Mounting Distance: 18 AWG 21 ft
 Power Factor: 0.99
 Input Frequency: 50/60HZ

Case Size: Series MU

Due to continuing efforts to offer improved products all specifications are subject to change without prior notice

1/12/10

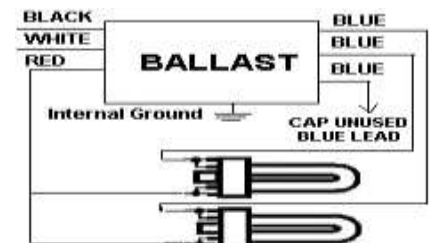
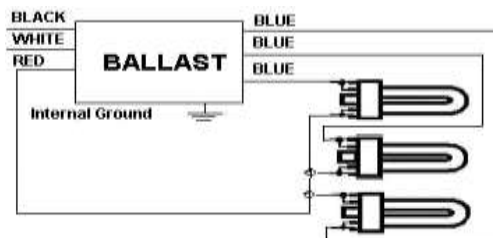
NO. OF LAMPS	INPUT VOLTAGE	LAMP WATTS	AVERAGE INPUT WATTS	MAX INPUT CURRENT (A)	BALLAST FACTOR	THD%	MODEL
3	120V	40/39/36	99/86/80	0.84/0.71/0.67	0.90/0.65/0.75	< 10	SXU340PIS-ROHS
3	120V	40ES28/25	89/81	0.75/0.67	0.90/0.90	< 10	“
2	120V	40/39/36	73/64/60	0.61/0.53/0.50	0.96/0.70/0.85	< 10	“
2	120V	40ES28/25	64/60	0.54/0.51	0.96/0.96	< 10	“
3	277V	40/39/36	99/86/80	0.36/0.31/0.29	0.92/0.75/0.80	< 10	“
3	277V	40ES28/25	89/81	0.32/0.30	0.93/0.93	< 10	“
2	277V	40/39/36	73/63/60	0.27/0.23/0.22	0.98/0.75/0.85	< 15	“
2	277V	40ES28/25	64/60	0.25/0.22	0.98/0.98	< 15	“
3	347V	40/39/36	99/86/80	0.29/0.25/0.23	0.90/0.65/0.75	< 10	SXC340PIS-ROHS
3	347V	40ES28/25	89/81	0.26/0.24	0.90/0.96	< 10	“
2	347V	40/39/36	73/64/60	0.21/0.18/0.17	0.96/0.70/0.85	< 10	“
2	347V	40ES28/25	64/60	0.20/0.17	0.90/0.96	< 10	“

LIMITED WARRANTY

5 YEAR at maximum case temperature 75 deg C. Manufacturer warrants to the purchaser: Electronic Ballast will be free from defects in material or workmanship from the date of manufacture conditioned upon proper storage, installation, use, and maintenance and conformance with any recommendations of Manufacturer

Lead Length

Colour	inch	cm
Black	18.8	48
White	18.8	48
Blue	30.9	78.5
Red	46.4	118



WARNING: Always Disconnect Power Before Handling.
Case Should be Grounded. Install in Accordance with National and Local Electrical Codes.

Series MU, MS Case Size: L 241mm 9.5inch W 43.8mm 1.72inch H 29.5mm 1.16inch ML 226mm 8.9inch

BIAX (TT5) 3 or 4x40W, 39W, 36W

BIAX (TT5) ES 3 or 4x40W (28W, 25W)

Programmed Instant Start Parallel

Programmed Instant Start (parallel) Universal Voltage 120V-277V, or 347V High Frequency Electronic ballast for Four or Three (4 or 3) Biaux TT5 40W 39W, 36W or Biaux TT5 ES 28W, 25W GE, Philips, or Osram Fluorescent lamps.

Technical Specification:

UL Listed, CUL Certified ROHS compliant
 EMI FCC Parts 18, Subparts C, Class A
 Rating: Type 1 Outdoor
 Min. Starting Temp : - 10° C
 Max. Case Temp: 90° C
 Sound Rating: Class A
 End of Lamp Life Protection Circuit

Surge Protection:
 Thermal Protection:
 Lamp Current Crest Factor:
 Remote Mounting Distance:
 Input Frequency:
 Power Factor:

Meets ANSI C62.41
 CLASS P
 < 1.6
 18 AWG 21 ft
 50/60HZ
 0.99

Case Size: Series FS2

Due to continuing efforts to offer improved products all specifications are subject to change without prior notice

1/12/10

NO. OF LAMPS	INPUT VOLTAGE	LAMP WATTS	AVERAGE INPUT WATTS	MAX INPUT CURRENT (A)	BALLAST FACTOR	THD %	MODEL
4	120V	40/39/36	126/108/103	1.12/0.89/0.85	0.90/0.60/0.75	< 10	NXU440PIS-ROHS
4	120V	40ES28/25	122/118	1.02/0.98	0.90/0.90	< 10	“
3	120V	40/39/36	104/81/78	0.87/0.68/0.65	0.92/0.70/0.75	< 10	“
3	120V	40ES28/25	98/94	0.81/0.78	0.92/0.92	< 10	“
4	277V	40/39/36	126/108/103	0.49/0.40/0.38	0.90 0.60/0.75	< 10	“
4	277V	40ES28/25	122/118	0.44/0.43	0.90/0.90	< 10	“
3	277V	40/39/36	104/81/78	0.38/0.30/0.28	0.92 0.70/0.75	< 15	“
3	277V	40ES28/25	98/94	0.36/0.34	0.92/0.92	< 15	“
4	347V	40/39/36	126/108/103	0.36/0.31/0.30	0.90 0.60/0.75	< 10	NXC440PIS-ROHS
4	347V	40ES28/25	122/118	0.35/0.34	0.90/0.90	< 10	“
3	347V	40/39/36	104/81/78	0.30/0.23/0.22	0.92 0.70/0.75	< 10	“
3	347V	40ES28/25	98/94	0.28/0.27	0.92/0.92	< 10	“

LIMITED WARRANTY

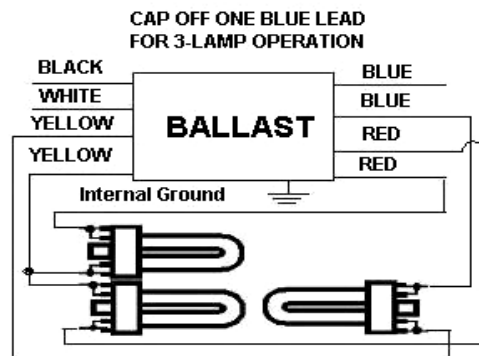
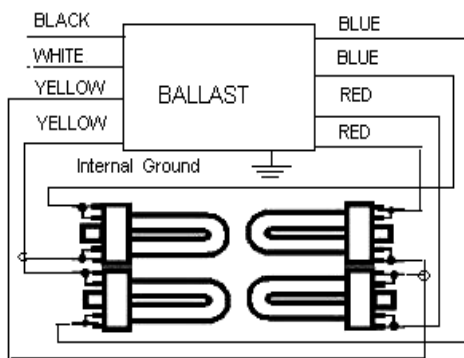
5 YEAR at maximum case temperature 75 deg C. 3 YEAR at maximum case temperature 90 deg C. Manufacturer warrants to the purchaser: Electronic Ballast will be free from defects in material or workmanship from the date of manufacture conditioned upon proper storage, installation, use, and maintenance and conformance with any recommendations of Manufacturer.

BIAX (TT5) 3 or 4x40W, 39W, 36W

BIAX (TT5) ES 3 or 4x40W (28W, 25W)

NXU440PIS-ROHS NXC440PIS-ROHS

Page 2



Lead Length

Colour	inch	cm
Black	18.8	48
White	18.8	48
Blue	30.9	78.5
Red	30.9	78.5
Yellow	46.4	118

Series FS2	L	W	H	ML
Case Size:	241mm	59 mm	37 mm	226mm
	9.5inch	2.3inch	1.46inch	8.9inch

WARNING: Always Disconnect Power Before Handling.
Case Should be Grounded. Install in Accordance
with National and Local Electrical Codes.

BIAX (TT5) 1 or 2x55W, 50W LINEAR HO T5 1 or 2x54W or 2x39W

Programmed Start

Programmed Start (Series) Universal Voltage 120V-277V or 347V, High Frequency Electronic ballast for one or two (1 or 2) Biax (TT5) 55W, 50W, or Linear HO T5 54W or two (2) 39W GE, Philips, or Osram Fluorescent lamps.

Technical Specification:

UL Listed, CUL Certified, ROHS Compliant
EMI FCC Parts 18, Subparts C, Class A
Rating: Type 1 Outdoor, HL
Sound Rating: Class A
Min. Starting Temp : - 30° C
Max. Case Temp: 90° C
End of Lamp Life Protection Circuit

Surge Protection:
Thermal Protection:
Lamp Current Crest Factor: < 1.6
Remote Mounting Distance: 21 ft
Power Factor: 0.99
Input Frequency: 50/60HZ
THD: < 10%

Meets ANSI C62.41
CLASS P

Case Size: Series MU

Due to continuing efforts to offer improved products all specifications are subject to change without prior notice

11/10/09

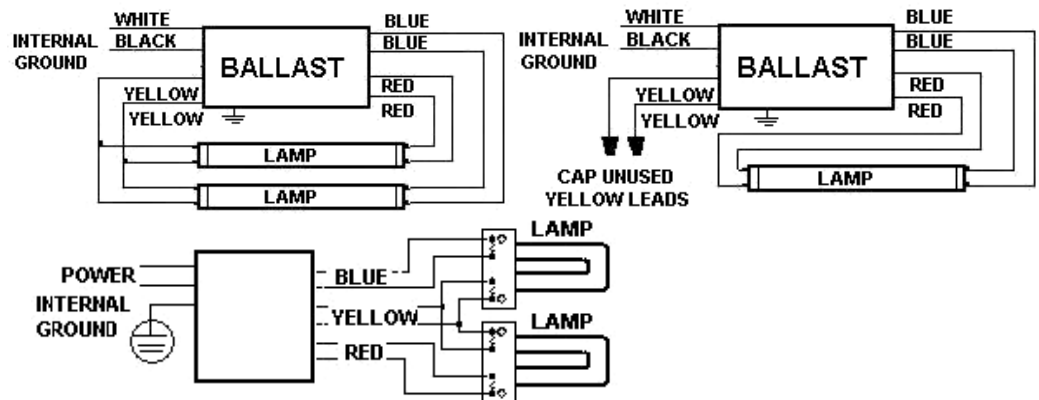
NO. OF LAMPS	INPUT VOLTAGE	LAMP WATTS	INPUT WATTS AVERAGE	MAX INPUT CURRENT (A)	BALLAST FACTOR	MODEL
2 & 1	120V	54/55/50	115/122/105 & 62/61/58	1.01/0.51	0.93~1.07	SXU255T5-ROHS
2 & 1	277V	54/55/50	115/122/105 & 62/61/58	0.44/0.22	0.93~1.07	"
2 & 1	347V	54/55/50	115/122/105 & 62/61/58	0.35/0.17	0.93~1.07	SXC255T5-ROHS

LIMITED WARRANTY

5 YEAR at maximum case temperature 75 deg C. 3 YEAR at maximum case temperature 90 deg C. Manufacturer warrants to the purchaser: Electronic Ballast will be free from defects in material or workmanship from the date of manufacture conditioned upon proper storage, installation, use, and maintenance and conformance with any recommendations of Manufacturer

Lead Length

Colour	inch	cm
Black	18.8	48
White	18.8	48
Blue	30.9	78.5
Red	30.9	78.5
Yellow	46.4	118



WARNING: Always Disconnect Power Before Handling.
Case Should be Grounded. Install in Accordance with National and Local Electrical Codes.

Series MU, MS L W H ML
Case Size: 241mm 43.8mm 29.5mm 226mm
9.5inch 1.72inch 1.16inch 8.9inch

BIAX (TT5) 1 or 2x55W, 50W LINEAR HO T5 1 or 2x54W or 2x39W

Programmed Start (Slim Low Profile, High Case Temperature)

Programmed Start (Series) Universal Voltage 120V-277V or 347V, High Frequency Electronic ballast for one or two (1 or 2) Biax (TT5) 55W, 50W, Linear HO T5 54W, or two (2) Linear HO T5 39W GE, Philips, Osram Fluorescent lamps.

Technical Specification:

UL Listed, CUL Certified, ROHS Compliant
EMI FCC Parts 18, Subparts C, Class A
Rating: Type 1 Outdoor, HL
Sound Rating: Class A
Min. Starting Temp : - 30° C
Max. Case Temp: 90° C
End of Lamp Life Protection Circuit

Surge Protection: Meets ANSI C62.41
Thermal Protection: CLASS P
Lamp Current Crest Factor: < 1.6
Remote Mounting Distance: 21 ft
Power Factor: 0.99
Input Frequency: 50/60HZ

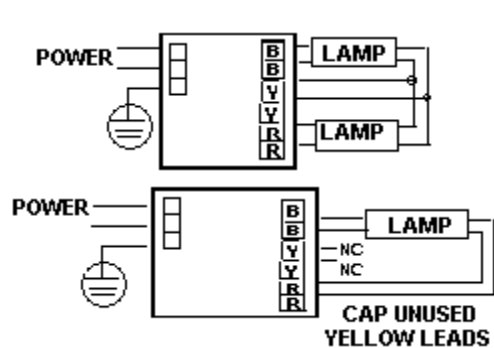
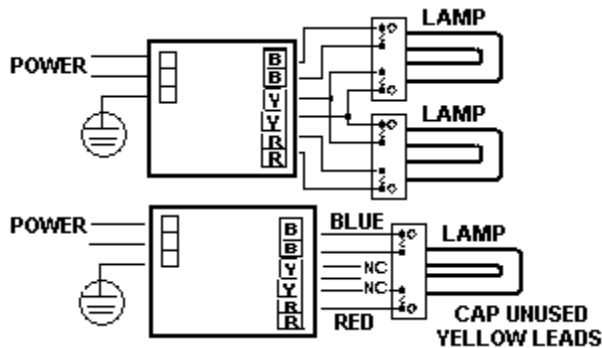
Case Size: Series E8

Due to continuing efforts to offer improved products all specifications are subject to change without prior notice 1/07/09

NO. OF LAMPS	INPUT VOLTAGE	LAMP WATTS	INPUT WATTS AVERAGE	MAX INPUT CURRENT (A)	THD %	BALLAST FACTOR	MODEL
2	120V	54/55/50/39	116/107/112/92	0.97/0.89/0.93/0.76	10/10/10/10	1.0	NU254T5-ROHS
1	120V	54/55/50	60/56/58	0.50/0.46/0.48	10/10/10	1.0-1.04	"
2	277V	54/55/50/39	117/113/112/92	0.42/0.40/0.40/0.33	10/15/15/15	1.0	"
1	277V	54/55/50	63/59/59	0.23/0.21/0.21	15/20/15	1.0-1.08	"
2	347V	54/55/50/39	116/111/111/90	0.33/0.32/0.32/0.26	10/15/10/15	0.92-1.02	NC254T5-ROHS
1	347V	54/55/50	62/58/58	0.18/0.17/0.17	15/20/15	0.93-1.05	"

LIMITED WARRANTY

5 YEAR at maximum case temperature 75 deg C. 3 YEAR at maximum case temperature 90 deg C. Manufacturer warrants to the purchaser: Electronic Ballast will be free from defects in material or workmanship from the date of manufacture conditioned upon proper storage, installation, use, and maintenance and conformance with any recommendations of Manufacturer.



WARNING: Always Disconnect Power Before Handling.
Case Should be Grounded. Install in Accordance
with National and Local Electrical Codes.

Series E8 L W H ML
Case Size: 420 mm 27 mm 29 mm 400 mm
16.5inch 1.06inch 1.14inch 15.7inch

BIAX (TT5) 1 or 2x55W, 50W LINEAR HO T5 1 or 2x54W or 2x39W

Programmed Start (Low Profile, High Case Temperature)

Programmed Start (Series) Universal Voltage 120V-277V or 347V, High Frequency Electronic ballast for one or two (1 or 2) Biax (TT5) 55W, 50W, Linear HO T5 54W, or two (2) Linear HO T5 39W GE, Philips, Osram Fluorescent lamps.

Technical Specification:

UL Listed, CUL Certified, ROHS compliant
EMI FCC Parts 18, Subparts C, Class A
Rating: Type 1 Outdoor, HL
Sound Rating: Class A
Min. Starting Temp : - 30° C
Max. Case Temp: 90° C
End of Lamp Life Protection Circuit

Surge Protection:
Thermal Protection:
Lamp Current Crest Factor:
Remote Mounting Distance:
Power Factor:
Input Frequency:
THD:

Meets ANSI C62.41
CLASS P
< 1.6
21 ft
0.99
50/60HZ
< 10%

Case Size: Series E3

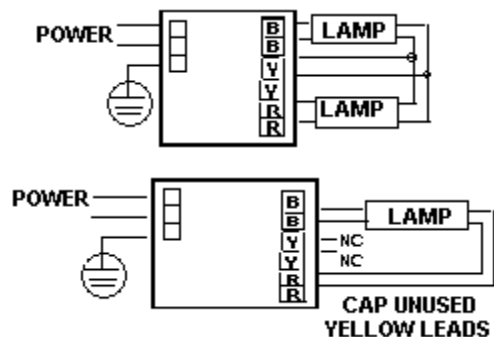
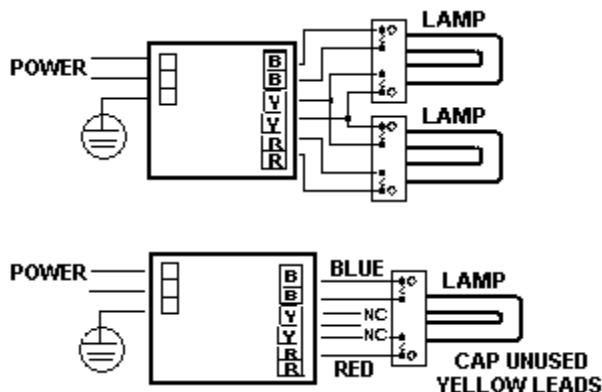
Due to continuing efforts to offer improved products all specifications are subject to change without prior notice

9/09/07

NO. OF LAMPS	INPUT VOLTAGE	LAMP WATTS	INPUT WATTS AVERAGE	MAX INPUT CURRENT (A)	BALLAST FACTOR	MODEL
2 & 1	120V	54/55	117/63 & 111/61	0.97/0.52 & 0.92/0.50	1.0/1.05	NU255T5-ROHS
2 & 1	277V	54/55	117/63 & 111/61	0.42/0.22 & 0.40/0.22	1.0/1.05	"
2 & 1	347V	54/55	117/63 & 111/61	0.33/0.18 & 0.31/0.17	1.0/1.05	NC255T5-ROHS

LIMITED WARRANTY

5 YEAR at maximum case temperature 75 deg C. 3 YEAR at maximum case temperature 90 deg C. Manufacturer warrants to the purchaser: Electronic Ballast will be free from defects in material or workmanship from the date of manufacture conditioned upon proper storage, installation, use, and maintenance and conformance with any recommendations of Manufacturer.



WARNING: Always Disconnect Power Before Handling.
Case Should be Grounded. Install in Accordance
with National and Local Electrical Codes.

Case Size: L W H ML
Series E3 325 mm 34mm 29mm 317mm
12.8inch 1.34inch 1.14inch 12.48inch

BIAX (TT5) 1,2,3 or 4x55W, 50W

LINEAR HO T5 1,2,3 or 4x54W or 2,4x39W

Programmed Start (Low Profile, High Case Temperature)

Programmed Start (Series) Universal Voltage 120V-277V or 347V, High Frequency Electronic ballast for one, two, three or four (1,2,3 or 4) Biax (TT5) 55W, 50W, Linear HO T5 54W, or two, four (2,4) Linear HO T5 39W GE, Philips, Osram Fluorescent lamps.

Technical Specification:

UL Listed, CUL Certified, ROHS Compliant
 EMI FCC Parts 18, Subparts C, Class A
 Rating: Type 1 Outdoor, HL
 Sound Rating: Class A
 Min. Starting Temp : - 30° C
 Max. Case Temp: 90° C
 End of Lamp Life Protection Circuit

Surge Protection: Meets ANSI C62.41
 Thermal Protection: CLASS P
 Lamp Current Crest Factor: < 1.6
 Remote Mounting Distance: 21 ft
 Power Factor: 0.99
 Input Frequency: 50/60HZ
 THD: < 10%

Case Size: Series E6

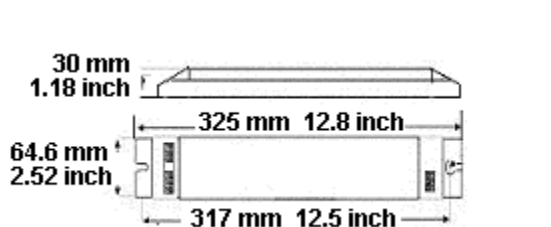
Due to continuing efforts to offer improved products all specifications are subject to change without prior notice

1/07/09

NO. OF LAMPS	INPUT VOLTAGE	LAMP WATTS	INPUT WATTS AVERAGE	MAX INPUT CURRENT (A)	BALLAST FACTOR	MODEL
3	120V	54/55/50	180/169/167	1.5/1.3/1.4	1.05/0.95/1.05	NU455T5-ROHS
4	120V	54/55/50/39	238/218/220/183	1.9/1.73/1.8/1.5	1.0/0.90/1.03/1.0	"
3	277V	54/55/50	169/153/156	1.5/1.3/1.4	1.05/0.95/1.05	NU455T5-ROHS
4	277V	54/55/50/39	238/218/220/183	1.9/1.7/1.72/1.5	1.0/0.90/1.04/1.02	"
3	347V	54/55/50	180/169/167	0.52/0.49/0.48	1.0/0.90/1.02	NC455T5-ROHS
4	347V	54/55/50/39	238/218/220/183	0.68/0.64/0.64/0.53	1.0/0.90/1.02/1.0	"

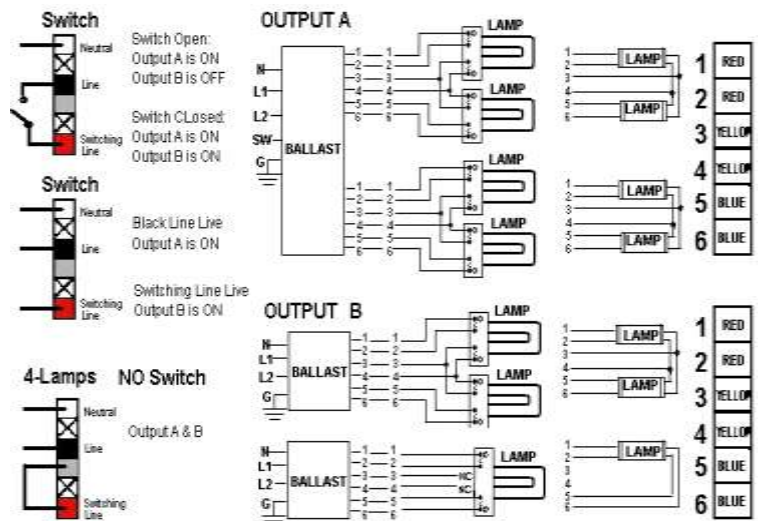
LIMITED WARRANTY

5 YEAR at maximum case temperature 75 deg C. 3 YEAR at maximum case temperature 90 deg C. Manufacturer warrants to the purchaser: Electronic Ballast will be free from defects in material or workmanship from the date of manufacture conditioned upon proper storage, installation, use, and maintenance and conformance with any recommendations of Manufacturer.



Series E6	L	W	H	ML
Case Size:	325mm	64.6mm	30mm	317mm
	12.8inch	2.52inch	1.18inch	12.5inch

WARNING: Always Disconnect Power Before Handling.
Case Should be Grounded. Install in Accordance with National and Local Electrical Codes.



BIAX (TT5) 1 x 96W, 80W

LINEAR HO T5 1 x 80W

Programmed Start (Low Profile, High Case Temperature)

Programmed Start (Series) Universal Voltage 120V-277V, 220-240V, 100V, or 347V, High Frequency Electronic ballast for one (1) Bixax (TT5) 96W, 80W or Linear HO T5 80W GE, Philips, Osram Fluorescent lamps.

Technical Specification:

UL Listed, CUL Certified, ROHS compliant
 EMI FCC Parts 18, Subparts C, Class A
 Rating: Type 1 Outdoor, HL
 Sound Rating: Class A
 Min. Starting Temp : - 30° C
 Max. Case Temp: 90° C
 End of Lamp Life Protection Circuit

Surge Protection: Meets ANSI C62.41
 Thermal Protection: CLASS P
 Lamp Current Crest Factor: < 1.6
 Remote Mounting Distance: 21 ft
 Power Factor: 0.99
 Input Frequency: 50/60HZ
 THD: < 10%

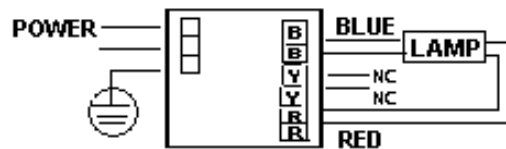
Case Size: Series E3

Due to continuing efforts to offer improved products all specifications are subject to change without prior notice 9/01/11

NO. OF LAMPS	INPUT VOLTAGE	LAMP WATTS	INPUT WATTS AVERAGE	MAX INPUT CURRENT (A)	BALLAST FACTOR	MODEL
1	120V	96/80	100/84	0.84/0.69	0.90/1.0	SU180T5-ROHS
1	277V	96/80	100/84	0.35/0.30	0.90/1.0	“
1	347V	96/80	100/84	0.29/0.24	0.90/1.0	SC180T5-ROHS

LIMITED WARRANTY

5 YEAR at maximum case temperature 75 deg C. 3 YEAR at maximum case temperature 90 deg C. Manufacturer warrants to the purchaser: Electronic Ballast will be free from defects in material or workmanship from the date of manufacture conditioned upon proper storage, installation, use, and maintenance and conformance with any recommendations of Manufacturer.



WARNING: Always Disconnect Power Before Handling.
Case Should be Grounded. Install in Accordance with National and Local Electrical Codes.

Case Size: L W H ML
 Series E3 325 mm 34mm 29mm 317mm
 12.8inch 1.34inch 1.14inch 12.48inch

Sage

Electronic Fluorescent T8 Ballasts

120-277V & 347V

LINEAR T8 1 or 2x17W, 16W, 15W

Programmed Start

Programmed Start (series) Universal Voltage 120V-277V, 230V or 347V, High Frequency Electronic ballast for one or two Linear T8 17W, 16W or 15W GE, Philips, or Osram Fluorescent lamps.

Technical Specification:

UL Listed, CUL Certified, CE & ROHS Compliant
 EMI FCC Parts 18, Subparts C, Class A
 Rating: Type 1 Outdoor, HL
 Sound Rating: Class A
 Min. Starting Temp : - 30° C
 - 10° C for 347V
 Max. Case Temp: 90° C
 End of Lamp Life Protection Circuit

Surge Protection: Meets ANSI C62.41
 Thermal Protection: CLASS P
 Lamp Current Crest Factor: < 1.6
 Remote Mounting Distance: 21 ft
 Power Factor: 0.99
 Input Frequency: 50/60HZ
 THD: 120V-277V < 10%
 1-lamp 230V, 277V, 347V < 15%

Case Size: Series MU, MS

Due to continuing efforts to offer improved products all specifications are subject to change without prior notice

7/10/09

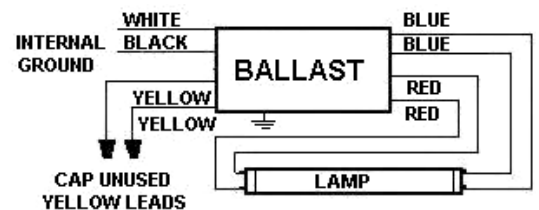
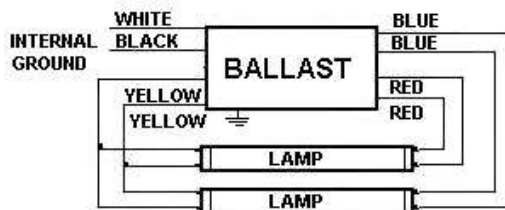
NO. OF LAMPS	INPUT VOLTAGE	LAMP WATTS	INPUT WATTS	MAX INPUT CURRENT (A)	BALLAST FACTOR	MODEL
2 & 1	120V	17/16/15	36/40/36 20/22/20	0.30/0.33/0.30 0.17/0.19/0.17	1.0/1.4	NLU217T8RS-ROHS
2 & 1	230V	17/16/15	36/40/36 20/22/20	0.16/0.17/0.16 0.08/0.10/0.08	1.0/1.4	"
2 & 1	277V	17/16/15	36/40/36 20/22/20	0.13/0.15/0.13 0.07/0.09/0.07	1.0/1.4	"
2 & 1	347V	17	40/21	0.12/0.06	0.95/1.0	NC217T8RS-ROHS

LIMITED WARRANTY

5 YEAR at maximum case temperature 75 deg C. 3 YEAR at maximum case temperature 90 deg C. Manufacturer warrants to the purchaser: Electronic Ballast will be free from defects in material or workmanship from the date of manufacture conditioned upon proper storage, installation, use, and maintenance and conformance with any recommendations of Manufacturer.

Lead Length

Colour	inch	cm
Black	18.8	48
White	18.8	48
Blue	30.9	78.5
Red	30.9	78.5
Yellow	46.4	118



WARNING: Always Disconnect Power Before Handling.
 Case Should be Grounded. Install in Accordance
 with National and Local Electrical Codes.

Series MU, MS L W H ML
 Case Size: 241mm 43.8mm 29.5mm 226mm
 9.5inch 1.72inch 1.16inch 8.9inch

LINEAR T8 1 or 2x18W, 17W

Programmed Start

Programmed Start (series) Universal Voltage 120V-277V or 347V, High Frequency Electronic ballast for one or two Linear T8 18W or 17W GE, Philips, or Osram Fluorescent lamps.

Technical Specification:

UL Listed, CUL Certified, CE & ROHS Compliant
 EMI FCC Parts 18, Subparts C, Class A
 Rating: Type 1 Outdoor, HL
 Sound Rating: Class A
 Min. Starting Temp : - 30° C
 Max. Case Temp: 90° C
 End of Lamp Life Protection Circuit

Surge Protection: Meets ANSI C62.41
 Thermal Protection: CLASS P
 Lamp Current Crest Factor: < 1.6
 Remote Mounting Distance: 21 ft
 Power Factor: 0.99
 Input Frequency: 50/60HZ
 THD: 120-277V < 10%
 1-lamp 230V, 277V, 347V < 15%

Case Size: Series MU, MS

Due to continuing efforts to offer improved products all specifications are subject to change without prior notice

5/10/09

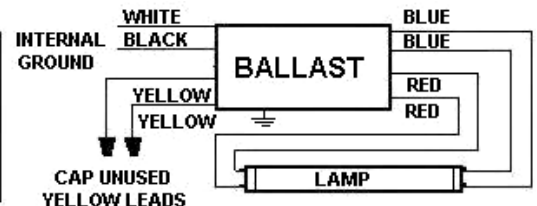
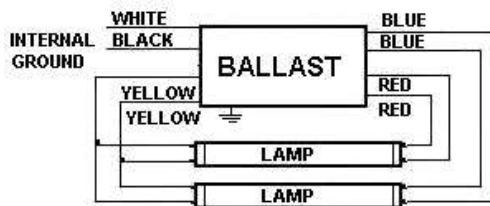
NO. OF LAMPS	INPUT VOLTAGE	LAMP WATTS	INPUT WATTS	MAX INPUT CURRENT (A)	BALLAST FACTOR	MODEL
2 & 1	120V	18/17	40/36 22/20	0.33/0.30 0.19/0.17	1.0/1.10	NLU218T8RS-ROHS
2 & 1	230V	18/17	40/36 22/20	0.17/0.16 0.10/0.09	1.0/1.10	"
2 & 1	277V	18/17	40/36 22/20	0.15/0.13 0.09/0.07	1.0/1.10	"
2 & 1	347V	18/17	40/36 22/20	0.12/0.10 0.06/0.05	1.0/1.10	NLC218T8RS-ROHS

LIMITED WARRANTY

5 YEAR at maximum case temperature 75 deg C. 3 YEAR at maximum case temperature 90 deg C. Manufacturer warrants to the purchaser: Electronic Ballast will be free from defects in material or workmanship from the date of manufacture conditioned upon proper storage, installation, use, and maintenance and conformance with any recommendations of Manufacturer.

Lead Length

Colour	inch	cm
Black	18.8	48
White	18.8	48
Blue	30.9	78.5
Red	30.9	78.5
Yellow	46.4	118



WARNING: Always Disconnect Power Before Handling.
 Case Should be Grounded. Install in Accordance
 with National and Local Electrical Codes.

Series MU, MS L W H ML
 Case Size: 241mm 43.8mm 29.5mm 226mm
 9.5inch 1.72inch 1.16inch 8.9inch

LINEAR T8 ES 1 or 2x28W, 25W

LINEAR T8 1 or 2x32W, 30W, 25W, 17W or 1x40W

Programmed Instant Start Parallel

Micro Case THD < 10%

Programmed Instant Start (parallel) Universal Voltage 120V-277V or 347V High Frequency Electronic ballast for Linear T8 ES Reduced Wattage 28W 25W or T8 40W, 32W, 30W, 25W, 17W GE, Philips, or Osram Fluorescent lamps.

Technical Specification:

UL Listed, CUL Certified, ROHS Compliant
 EMI FCC Parts 18, Subparts C, Class A
 Rating: Type 1 Outdoor HL
 Sound Rating: Class A
 Min. Starting Temp: -18° C
 0° C for ES Wattage
 Max. Case Temp: 75° C

Surge Protection: Meets ANSI C62.41
 Thermal Protection: CLASS P
 Lamp Current Crest Factor: < 1.7
 Remote Mounting Distance: 21 ft
 Power Factor: 0.99
 Input Frequency: 50/60HZ
 THD:<10% 277V, 347V 1-lamp 25W 28W <15%

Case Size: Series MC

Due to continuing efforts to offer improved products all specifications are subject to change without prior notice

2/10/10

NO. OF LAMPS	INPUT VOLTAGE	LAMP WATTS	INPUT WATTS	MAX INPUT CURRENT (A)	BALLAST FACTOR	MODEL
2	120V	32/30/25/17	57/56/46/33	0.54/0.47/0.37/0.28	0.88/0.88/0.90/0.95	SU232T8MCIS-ROHS
2	277V	32/30/25/17	57/56/46/33	0.23/0.20/0.16/0.12	0.88/0.88/0.90/0.95	“
2	347V	32/30/25/17	57/56/46/33	0.18/0.16/0.13/0.10	0.88/0.88/0.95/1.03	SC232T8MCIS-ROHS
2	120V	28/25ES	49.9/44.5	0.42/0.38	0.883/0.883	SU232T8MCIS-ROHS
2	277V	28/25ES	49.9/44.5	0.18/0.16	0.883/0.883	“
2	347V	28/25ES	49.9/44.5	0.14/0.13	0.883/0.883	SC232T8MCIS-ROHS
1	120V	40/32/25/17	44/36/30/20	0.37/0.30/0.25/0.17	1.03/1.06/1.13/1.45	SU232T8MCIS-ROHS
1	277V	40/32/25/17	44/36/30/20	0.16/0.13/0.11/0.07	1.03/1.06/1.13/1.45	“
1	347V	40/32/25/17	43/36/30/20	0.12/0.10/0.08/0.06	1.00/1.08/1.13/1.45	SC232T8MCIS-ROHS
1	120V	30/28/25ES	35/32/30	0.29/0.27/0.25	1.08/1.15/1.23	SU232T8MCIS-ROHS
1	277V	30/28/25ES	35/32/30	0.12/0.11/0.11	1.08/1.15/1.23	“
1	347V	30/28/25ES	36/32/30	0.10/0.09/0.09	1.11/1.20/1.25	SC232T8MCIS-ROHS

LIMITED WARRANTY

5 YEAR at maximum case temperature 75 deg C. Manufacturer warrants to the purchaser: Electronic Ballast will be free from defects in material or workmanship from the date of manufacture conditioned upon proper storage, installation, use, and maintenance and conformance with any recommendations of Manufacturer.

LINEAR T8 ES 1 or 2x28W, 25W

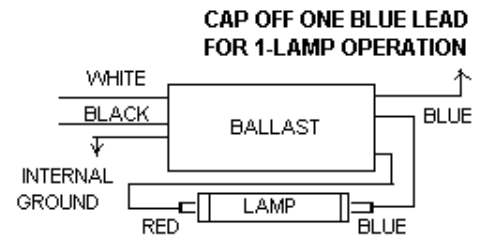
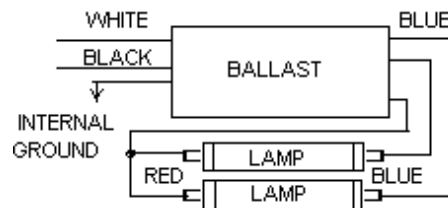
LINEAR T8 1 or 2x32W, 30W, 25W, 17W or 1x40W

Programmed Instant Start Parallel

Micro Case THD < 10%

Lead Length

Colour	inch	cm
Black	18.8	48
White	18.8	48
Blue	30.9	78.5
Red	46.4	118



WARNING: Always Disconnect Power Before Handling.
Case Should be Grounded. Install in Accordance
with National and Local Electrical Codes.

Series MC
Case Size:

L	W	H	ML
241mm	32mm	28mm	226mm
9.5inch	1.26inch	1.1inch	8.9inch

LINEAR T8 ES 1 or 2x28W, 25W

LINEAR T8 1 or 2x32W, 30W, 25W or 1x40W, 17W

Programmed Instant Start Parallel Low BF Micro Case THD < 10%

Programmed Instant Start (parallel) Universal Voltage 120V-277V or 347V High Frequency Electronic ballast for Linear T8 ES Reduced Wattage 28W 25W or T8 40W 32W, 30W,, 25W, 17W GE, Philips, or Osram Fluorescent lamps.

Technical Specification:

UL Listed, CUL Certified, ROHS Compliant
 EMI FCC Parts 18, Subparts C, Class A
 Rating: Type 1 Outdoor HL
 Sound Rating: Class A
 Min. Starting Temp: -18° C 0° C for ES Wattage
 Max. Case Temp: 75° C
 THD: < 10% 277V, 347V 1-lamp < 15% 17W < 20%

Surge Protection: Meets ANSI C62.41
 Thermal Protection: CLASS P
 Lamp Current Crest Factor: < 1.7
 Remote Mounting Distance: 21 ft
 Power Factor: 0.99
 Input Frequency: 50/60HZ

Case Size: Series MC

Due to continuing efforts to offer improved products all specifications are subject to change without prior notice 2/10/10

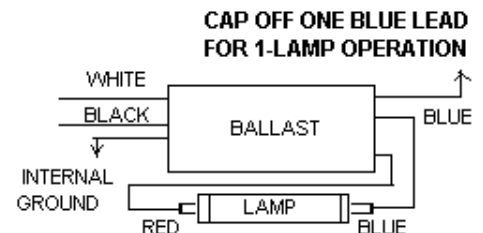
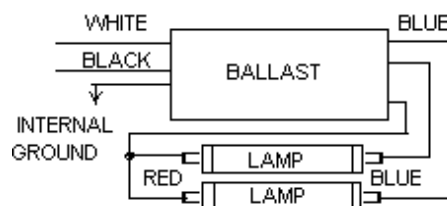
NO. OF LAMPS	INPUT VOLTAGE	LAMP WATTS	INPUT WATTS	MAX INPUT CURRENT (A)	BALLAST FACTOR	MODEL
2	120V	32/30/25/17	48.9/50/40/29	.43/0.41/0.33/0.24	.78/0.83/0.81/0.83	SU232T8LMCIS-ROHS
2	120V	28/25ES	45/40	0.37/0.33	0.82/0.81	"
2	277V	32/30/25/17	48.9/50/40/29	.18/0.18/0.15/0.10	.78/0.83/0.81/0.83	"
2	277V	28/25ES	45/40	0.16/0.15	0.82/0.81	"
2	347V	32/30/25/17	48.9/48/40/30	.15/0.14/0.12/0.09	.78/0.83/.081/0.85	SC232T8LMCIS-ROHS
2	347V	28/25ES	45/40	0.13/0.12	0.82/0.81	"
1	120V	40/32/30/25/25E	38/32/31/25/25ES	.32/.27/.26/.21/.21	.89/.94/.96/.95/.95	SU232T8LMCIS-ROHS
1	277V	40/32/30/25/25E	38/32/31/25/25ES	.14/.12/.11/.09/.11	.89/.94/.96/.95/.95	"
1	347V	40/32/30/25/25E	38/32/31/25/25ES	.11/.09/.09/.08/.08	.89/.94/.96/.95/.95	SC232T8LMCIS-ROHS

LIMITED WARRANTY

5 YEAR at maximum case temperature 75 deg C. Manufacturer warrants to the purchaser: Electronic Ballast will be free from defects in material or workmanship from the date of manufacture conditioned upon proper storage, installation, use, and maintenance and conformance with any recommendations of Manufacturer.

Lead Length

Colour	inch	cm
Black	18.8	48
White	18.8	48
Blue	30.9	78.5
Red	46.4	118



WARNING: Always Disconnect Power Before Handling.
 Case Should be Grounded. Install in Accordance
 with National and Local Electrical Codes.

Series MC
 Case Size:

L	W	H	ML
241mm	32mm	28mm	226mm
9.5inch	1.26inch	1.1inch	8.9inch

LINEAR T8 1 or 2x32W, 30W, 28W, 25W 1x40W, 2x17W

Instant Start

Instant Start (parallel) 120V AC High Frequency or **140V DC** (Minimum Input 120VDC) Electronic ballast for T8 40W 32W, 30W 28W, 25W, 17W GE, Philips, or Osram Fluorescent lamps.

Technical Specification:

UL Listed, CUL Certified
 EMI FCC Parts 18, Class A
 Rating: Type 1 Outdoor HL
 Sound Rating: Class A
 Min. Starting Temp: -18° C
 Max. Case Temp: 90° C
 THD: < 10%

Surge Protection:
 Thermal Protection:
 Lamp Current Crest Factor: < 1.7
 Remote Mounting Distance: 21 ft
 Power Factor: 0.98
 Input Frequency: 50/60HZ

Meets ANSI C62.41
 CLASS P

Case Size: Series MUL

Due to continuing efforts to offer improved products all specifications are subject to change without prior notice

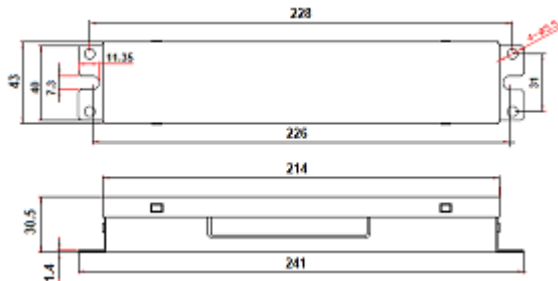
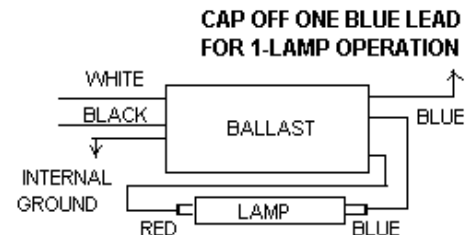
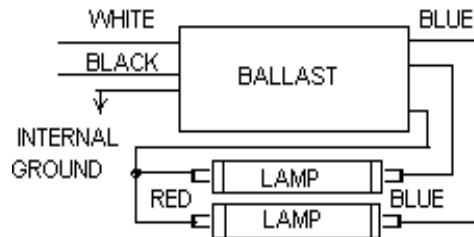
NO. OF LAMPS	INPUT VOLTAGE	LAMP WATTS	INPUT WATTS	MAX INPUT CURRENT (A)	BALLAST FACTOR	MODEL
2	120VAC 140VDC	32/25/17	57/46/33	0.54/0.37/0.28	>0.88	NLO232T8IS-ROHS
1	120VAC 140VDC	40/32/25	44/36/30	0.37/0.30/0.25	>1.0	"
2	120VAC 140VDC	30/28/25 ES	56/50/46	0.47/0.42/0.37	>0.88	"
1	120VAC 140VDC	30/28/25 ES	35/32/27	0.29/0.27/0.23	>0.98	"

LIMITED WARRANTY

5 YEAR at maximum case temperature 75 deg C. 3 YEAR at maximum case temperature 90 deg C. Manufacturer warrants to the purchaser: Electronic Ballast will be free from defects in material or workmanship from the date of manufacture conditioned upon proper storage, installation, use, and maintenance and conformance with any recommendations of Manufacturer.

Lead Length

Colour	inch	cm
Black	18.8	48
White	18.8	48
Blue	30.9	78.5
Red	46.4	118



Case Size Series MUL

L	W	H	ML
241	43	30.5	226mm
9.5	1.7	1.2	8.9 inch

WARNING: Always Disconnect Power Before Handling.
 Case Should be Grounded. Install in Accordance with National and Local Electrical Codes.

LINEAR T8 1 or 2x32W, 30W, 25W 1x40W, 2x17W, 28W

Instant Start

Instant Start (parallel) 120V AC High Frequency or **120V DC** Electronic ballast for T8 40W 32W, 30W 28W, 25W, 17W GE, Philips, or Osram Fluorescent lamps.

Technical Specification:

UL Listed, CUL Certified, ROHS Compliant
 EMI FCC Parts 18, Subparts C, Class A
 Rating: Type 1 Outdoor HL
 Sound Rating: Class A
 Min. Starting Temp: -18° C
 Max. Case Temp: 90° C
 THD: < 10%

Surge Protection: Meets ANSI C62.41
 Thermal Protection: CLASS P
 Lamp Current Crest Factor: < 1.7
 Remote Mounting Distance: 21 ft
 Power Factor: 0.99
 Input Frequency for 120V AC: 50/60HZ

Case Size: Series MUL

Due to continuing efforts to offer improved products all specifications are subject to change without prior notice

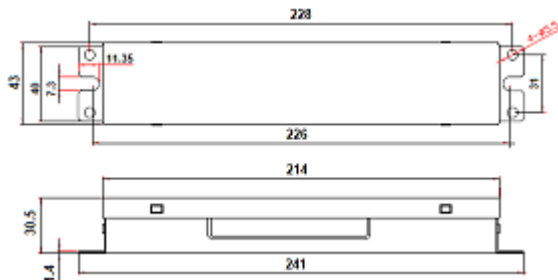
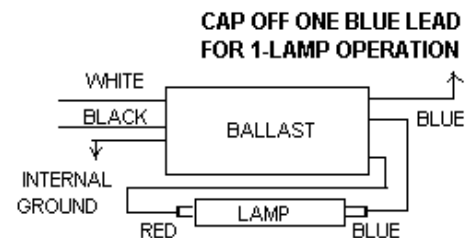
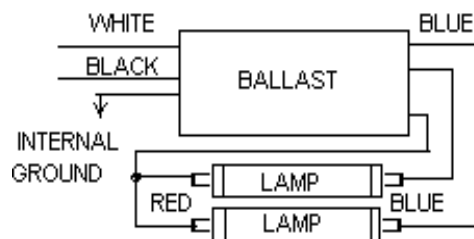
NO. OF LAMPS	INPUT VOLTAGE	LAMP WATTS	INPUT WATTS	MAX INPUT CURRENT (A)	BALLAST FACTOR	MODEL
2	120V AC/DC	32/25/17	57/46/33	0.54/0.37/0.28	>0.88	NLO232T8PIS-ROHS
1	120V AC/DC	40/32/25	44/36/30	0.37/0.30/0.25	>1.0	“
2	120V AC/DC	30/28/25 ES	56/50/46	0.47/0.42/0.37	>0.88	“
1	120V AC/DC	30/28/25 ES	35/32/27	0.29/0.27/0.23	>0.98	“

LIMITED WARRANTY

5 YEAR at maximum case temperature 75 deg C. 3 YEAR at maximum case temperature 90 deg C. Manufacturer warrants to the purchaser: Electronic Ballast will be free from defects in material or workmanship from the date of manufacture conditioned upon proper storage, installation, use, and maintenance and conformance with any recommendations of Manufacturer.

Lead Length

Colour	inch	cm
Black	18.8	48
White	18.8	48
Blue	30.9	78.5
Red	46.4	118



Case Size Series MUL

L	W	H	ML
241	43	30.5	226mm
9.5	1.7	1.2	8.9 inch

WARNING: Always Disconnect Power Before Handling. Case Should be Grounded. Install in Accordance with National and Local Electrical Codes.

LINEAR T8 ES LINEAR T8 Programmed Start

1 or 2x30W, 28W, 25W 1 or 2x32W, 25W, 17W, 2x15W

Programmed Rapid Start (Series) Universal Voltage 120V-277V, or 347V High Frequency Electronic ballast for T8 32W,25W,17W, 15W or T8 ES 30W,28W,25W GE,Philips,or Osram Fluorescent lamps.

Technical Specification:

UL Listed, CUL Certified, ROHS Compliant	Surge Protection:	Meets ANSI C62.41
EMI FCC Parts 18, Subparts C, Class A	Thermal Protection:	CLASS P
Rating: Type 1 Outdoor, HL	Lamp Current Crest Factor:	< 1.6
Sound Rating: Class A	Remote Mounting Distance:	21 ft
Min. Starting Temp : - 10° C 15° C for ES lamp	Power Factor:	0.99
Max. Case Temp: 90° C 60° C for ES lamp	Input Frequency:	50/60HZ
End of Lamp Life Protection Circuit	THD: < 10%, ES 2-lamp < 15%, ES & 1-lamp 277V, 347V < 20%	

Case Size: Series MU

Due to continuing efforts to offer improved products all specifications are subject to change without prior notice

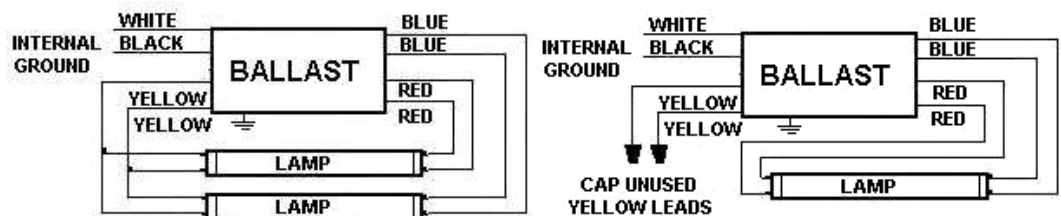
NO. OF LAMPS	INPUT VOLTAGE	LAMP WATTS	INPUT WATTS AVERAGE	MAX INPUT CURRENT (A)	BALLAST FACTOR	MODEL
2	120V	32/25/17/15	61/48/34/28	0.50/0.40/0.28/0.23	0.90/0.90/0.90/0.80	NU232T8RS-ROHS
2	277V	32/25/17/15	61/48/34/28	0.22/0.21/0.14/0.11	0.90/0.90/0.90/0.80	“
2	347V	32/25/17	58/48/34	0.17/0.14/0.10	0.90/0.90/0.90	NC232T8RS-ROHS
1	120V	32/25/17	36/29/20	0.30/0.24/0.16	0.93/0.93/1.19	NU232T8RS-ROHS
1	277V	32/25/17	36/29/20	0.47/0.11/0.08	0.93/0.93/1.20	“
1	347V	32/25/17	30/29/20	0.09/0.08/0.06	0.91/0.93/0.93	NC232T8RS-ROHS
2 ES	120V	30/28/25	54/52/48	0.45/0.43/0.40	0.90/0.90/0.90	NU232T8RS-ROHS
2 ES	277V	30/28/25	54/52/48	0.19/0.19/0.17	0.90/0.90/0.90	“
2 ES	347V	30/28/25	54/52/48	0.16/0.15/0.14	0.90/0.90/0.90	NC232T8RS-ROHS
1 ES	120V	30/28/25	30/28/26	0.25/0.23/0.22	0.91/0.91/0.91	NU232T8RS-ROHS
1 ES	277V	30/28/25	30/28/26	0.11/0.10/0.09	0.91/0.91/0.91	“
1 ES	347V	30/28/25	30/28/26	0.09/0.09/0.08	0.91/0.91/0.91	NC232T8RS-ROHS

LIMITED WARRANTY

5 YEAR at maximum case temperature 75 deg C. 3 YEAR at maximum case temperature 90 deg C. Manufacturer warrants to the purchaser: Electronic Ballast will be free from defects in material or workmanship from the date of manufacture conditioned upon proper storage, installation, use, and maintenance and conformance with any recommendations of Manufacturer.

Lead Length

Colour	inch	cm
Black	18.8	48
White	18.8	48
Blue	30.9	78.5
Red	30.9	78.5
Yellow	46.4	118



WARNING: Always Disconnect Power Before Handling.
Case Should be Grounded. Install in Accordance with National and Local Electrical Codes.

Series MU, MS L W H ML
Case Size: 241mm 43.8mm 29.5mm 226mm
9.5inch 1.72inch 1.16inch 8.9inch

LINEAR T8 1 or 2x36W

Programmed Start

Programmed Start (series) Universal Voltage 120V-277V High Frequency Electronic ballast for one or two Linear T8 36W GE, Philips, or Osram Fluorescent lamps.

Technical Specification:

UL Listed, CUL Certified, CE and ROHS Compliant
 EMI FCC Parts 18, Subparts C, Class A
 Rating: Type 1 Outdoor, HL
 Sound Rating: Class A
 Min. Starting Temp : - 30° C for 120-277V,
 Max. Case Temp: 90° C
 End of Lamp Life Protection Circuit

Surge Protection: Meets ANSI C62.41
 Thermal Protection: CLASS P
 Lamp Current Crest Factor: < 1.6
 Remote Mounting Distance: 21 ft
 Power Factor: 0.99
 Input Frequency: 50/60HZ
 THD: 120V < 10%
 1-lamp 277V, 230V < 15%

Case Size: Series MUL

Due to continuing efforts to offer improved products all specifications are subject to change without prior notice

3/09/21

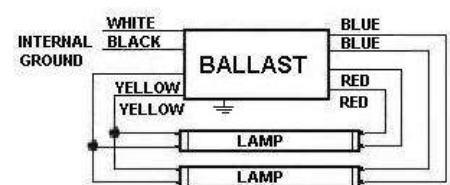
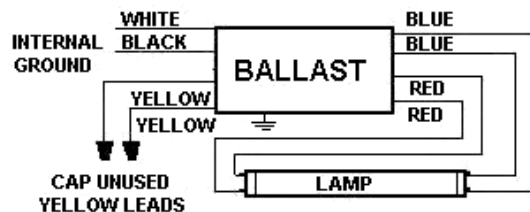
NO. OF LAMPS	INPUT VOLTAGE	LAMP WATTS	INPUT WATTS	MAX INPUT CURRENT (A)	BALLAST FACTOR	MODEL
2 or 1	120V	36	77/40	0.57/0.37	0.96/1.00	NU236T8RS-ROHS
2 or 1	277V	36	77/40	0.28/0.16	0.96/1.00	“
2 or 1	230V	36	77/40	0.33/0.19	0.96/1.00	“

LIMITED WARRANTY

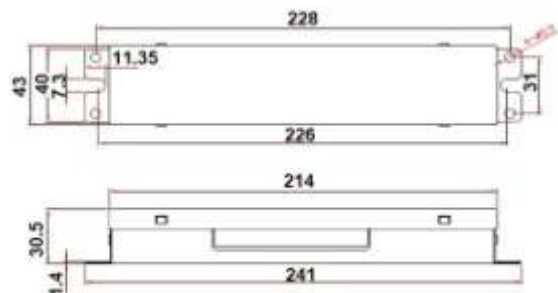
5 YEAR at maximum case temperature 75 deg C. 3 YEAR at maximum case temperature 90 deg C. Manufacturer warrants to the purchaser: Electronic Ballast will be free from defects in material or workmanship from the date of manufacture conditioned upon proper storage, installation, use, and maintenance and conformance with any recommendations of Manufacturer.

Lead Length

Colour	inch	cm
Black	18.8	48
White	18.8	48
Blue	30.9	78.5
Red	30.9	78.5
Yellow	46.4	118



Series MUL	L	W	H	ML
Case Size	241mm	43mm	30.5mm	226mm
	9.5inch	1.7inch	1.2inch	8.9inch



WARNING: Always Disconnect Power Before Handling.
Case Should be Grounded. Install in Accordance with National and Local Electrical Codes.

LINEAR T8 1 or 2x40W, 36W, 32W, 25W BIAX (TT5) 1 or 2x40W

Programmed Start High BF 1.20 for 32W T8

Programmed Start (series) Universal Voltage 120V-277V or 347V, High Frequency Electronic ballast for one or two Linear T8 40W, 36W, 32W, 25W or BiAx (TT5) 40W GE, Philips, or Osram Fluorescent lamps.

Technical Specification:

UL Listed, CUL Certified, ROHS Compliant
EMI FCC Parts 18, Subparts C, Class A
Rating: Type 1 Outdoor, HL
Sound Rating: Class A
Min. Starting Temp : - 30° C for 120-277V,
- 10° C for 347V
Max. Case Temp: 90° C
End of Lamp Life Protection Circuit

Surge Protection: Meets ANSI C62.41
Thermal Protection: CLASS P
Lamp Current Crest Factor: < 1.7
Remote Mounting Distance: 21 ft
Power Factor: 0.99
Input Frequency: 50/60HZ
THD: 120V < 10%
1-lamp 25W,32W,40W 277V, 347V < 15%

Case Size: Series MU, MS

Due to continuing efforts to offer improved products all specifications are subject to change without prior notice

6/10/09

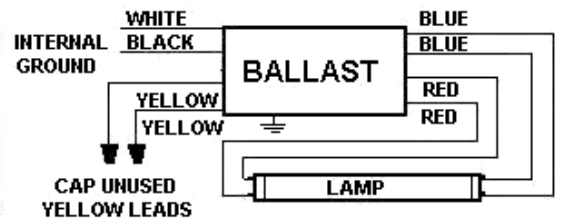
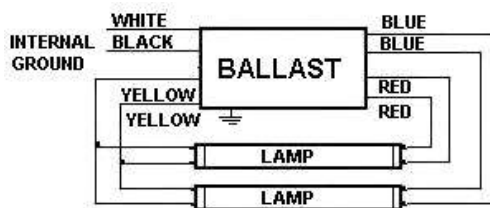
NO. OF LAMPS	INPUT VOLTAGE	LAMP WATTS	INPUT WATTS	MAX INPUT CURRENT (A)	BALLAST FACTOR	MODEL
2	120V	40/36/32/25	91/68/75/57	0.76/0.57/0.62/0.48	0.91/0.89/1.20/0.92	NU240T8RS-ROHS
2	277V	40/36/32/25	93/69/76/58	0.34/0.25/0.28/0.21	0.94/0.92/1.30/0.95	"
2	347V	40/36/32/25	95/68/75/57	0.27/0.20/0.22/0.16	0.90/0.89/1.20/0.92	NC240T8RS-ROHS
1	120V	40/36/32/25	51/36/41/32	0.43/0.30/0.34/0.26	1.00/0.95/1.40/1.17	NU240T8RS-ROHS
1	277V	40/36/32/25	53/36/42/32	0.19/0.14/0.16/0.11	1.00/1.00/1.45/1.17	"
1	347V	40/36/32/25	50/36/41/32	0.15/0.10/0.12/0.10	0.95/0.95/1.45/1.17	NC240T8RS-ROHS
2/1	120V	40 BIAX TT5	78/41	0.65/0.34	0.91/1.02	NU240T8RS-ROHS
2/1	277V	40 BIAX TT5	78/41	0.28/0.15	0.91/1.02	"
2/1	347V	40 BIAX TT5	82/43	0.24/0.13	0.98/1.06	NC240T8RS-ROHS

LIMITED WARRANTY

5 YEAR at maximum case temperature 75 deg C. 3 YEAR at maximum case temperature 90 deg C. Manufacturer warrants to the purchaser: Electronic Ballast will be free from defects in material or workmanship from the date of manufacture conditioned upon proper storage, installation, use, and maintenance and conformance with any recommendations of Manufacturer.

Lead Length

Colour	inch	cm
Black	18.8	48
White	18.8	48
Blue	30.9	78.5
Red	30.9	78.5
Yellow	46.4	118



WARNING: Always Disconnect Power Before Handling.
Case Should be Grounded. Install in Accordance
with National and Local Electrical Codes.

Series MU, MS L W H ML
Case Size: 241mm 43.8mm 29.5mm 226mm
9.5inch 1.72inch 1.16inch 8.9inch

LINEAR T8 1x40W, 32W 2x40W, 32W, 25W

Programmed Start (Low Profile)

Programmed Start (Series) Universal Voltage 120-277V or 347V High Frequency Electronic ballast for one or two (1 or 2) 40W, 32W or two (2) 25W GE, Philips or Osram Linear T8 Fluorescent lamps.

Technical Specification:

UL Listed, CUL Certified, ROHS Compliant
EMI FCC Parts 18, Subparts C, Class A
Rating: Type 1 Outdoor, HL
Sound Rating: Class A
Min. Starting Temp : - 30° C
Max. Case Temp: 90° C
End of Lamp Life Protection Circuit

Surge Protection:
Thermal Protection:
Lamp Current Crest Factor:
Remote Mounting Distance:
Power Factor:
Input Frequency:
THD:

Meets ANSI C62.41
CLASS P
< 1.6
21 ft
0.99
50/60HZ
< 10%

Case Size: Series E3, E5

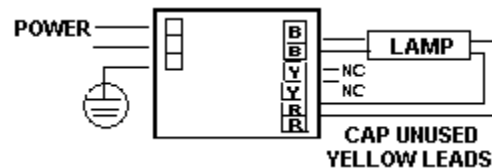
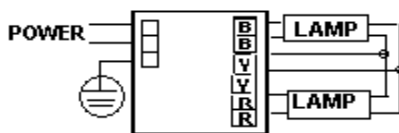
Due to continuing efforts to offer improved products all specifications are subject to change without prior notice

6/10/11

NO. OF LAMPS	INPUT VOLTAGE	LAMP WATTS	INPUT WATTS AVERAGE	MAX INPUT CURRENT (A)	BALLAST FACTOR	MODEL
2	120V	40/32/25	90/70/54	0.75/0.58/0.45	1.0	NU240T8-ROHS
2	277V	40/32/25	90/70/54	0.32/0.25/0.19	1.0	"
2	347V	40/32/25	90/70/54	0.26/0.20/0.16	1.0	NC240T8-ROHS
1	120V	40/32	47/38	0.39/0.32	1.07	NU240T8-ROHS
1	277V	40/32	47/38	0.17/0.14	1.07	"
1	347V	40/32	47/38	0.14/0.11	1.07	NC240T8-ROHS

LIMITED WARRANTY

5 YEAR at maximum case temperature 75 deg C. 3 YEAR at maximum case temperature 90 deg C. Manufacturer warrants to the purchaser: Electronic Ballast will be free from defects in material or workmanship from the date of manufacture conditioned upon proper storage, installation, use, and maintenance and conformance with any recommendations of Manufacturer.



WARNING: Always Disconnect Power Before Handling.
Case Should be Grounded. Install in Accordance with National and Local Electrical Codes.

		L	W	H	ML
Series E5	120-277V	292mm	34mm	27mm	285mm
		11.5inch	1.34inch	1.06inch	11.25inch
Series E3	347V	325 mm	34mm	29mm	317mm
		12.8inch	1.34inch	1.14inch	12.48inch

T8 LINEAR 3 or 4x32W, 25W, 17W or 3x40W

Programmed Instant Start Parallel

Programmed Instant Start (Parallel) Universal Voltage 120V-277V, High Frequency Electronic ballast for three or four (3 or 4) T8 Linear 32W, 25W, 17W or three (3) 40W GE, Philips, or Osram Fluorescent lamps.

Technical Specification:

UL Listed, CUL Certified, ROHS Compliant
 EMI FCC Parts 18, Subparts C, Class A
 Rating: Type 1 Outdoor, HL
 Sound Rating: Class A
 Min. Starting Temp : -18° C (0° C for 40W T8)
 Max. Case Temp: 75° C
 THD: 3-lamp < 15%
 4-lamp < 20%

Surge Protection:
 Thermal Protection:
 Lamp Current Crest Factor: < 1.6
 Remote Mounting Distance: 21 ft
 Power Factor: 0.99
 Input Frequency: 50/60HZ

Meets ANSI C62.41
 CLASS P

Case Size: Series MU

Due to continuing efforts to offer improved products all specifications are subject to change without prior notice

5/11/09

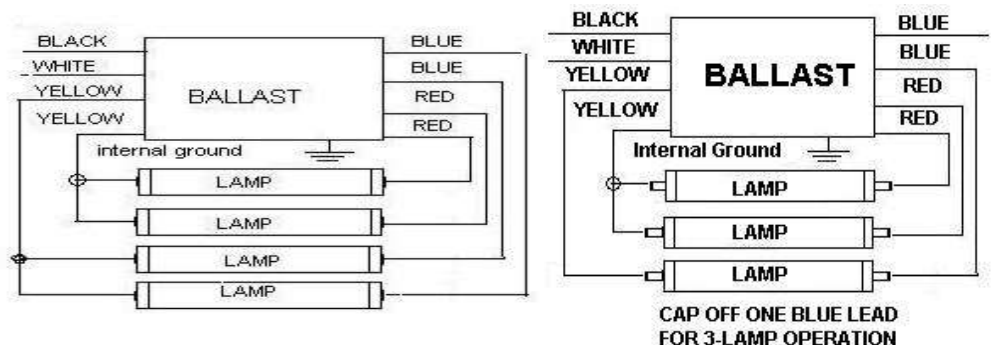
NO. OF LAMPS	INPUT VOLTAGE	LAMP WATTS	INPUT WATTS	MAX INPUT CURRENT (A)	BALLAST FACTOR	MODEL
3	120V	40/32/25/17	107/89/67/49	0.89/0.74/0.56/0.42	>0.91	SAU440IS-ROHS
4	120V	32/25/17	107/81/57	0.88/0.67/0.48	>0.88	"
3	277V	40/32/25/17	107/89/67/49	0.40/0.33/0.27/0.21	>0.91	"
4	277V	32/25/17	107/81/57	0.39/0.30/0.24	>0.88	"

LIMITED WARRANTY

5 YEAR at maximum case temperature 75 deg C. Manufacturer warrants to the purchaser: Electronic Ballast will be free from defects in material or workmanship from the date of manufacture conditioned upon proper storage, installation, use, and maintenance and conformance with any recommendations of Manufacturer

Lead Length

Colour	inch	cm
Black	18.8	48
White	18.8	48
Blue	30.9	78.5
Red	30.9	78.5
Yellow	46.4	118



WARNING: Always Disconnect Power Before Handling.
Case Should be Grounded. Install in Accordance with National and Local Electrical Codes.

Series MU, MS
 Case Size: L 241mm 9.5inch W 43.8mm 1.72inch H 29.5mm 1.16inch ML 226mm 8.9inch

T8 LINEAR 3 or 4x32W, 25W, 17W or 3x40W LINEAR T8 ES 3 or 4x30W, 28W, 25W

Programmed Start Parallel

Programmed Start Parallel 347V, High Frequency Electronic ballast for three or four (3 or 4) T8 Linear 32W, 25W, 17W or three (3) 40W GE or ES 30W 28W, 25W T8 Philips, or Osram Fluorescent lamps.

Technical Specification:

UL Listed, CUL Certified, ROHS Compliant
EMI FCC Parts 18, Subparts C, Class A

Rating: Type 1 Outdoor, HL

Sound Rating: Class A

Min. Starting Temp : - 18° C (0° C for ES & 40W T8)

Max. Case Temp: 75° C

THD: 10% ES & 25W 17W 3-lamp 4-lamp > 15%

Surge Protection:

Thermal Protection:

Lamp Current Crest Factor:

Remote Wiring Distance Full Load: 18AWG -18 ft

Power Factor:

Input Frequency:

Meets ANSI C62.41

CLASS P

< 1.6

0.99

50/60HZ

Case Size: Series MUL

Due to continuing efforts to offer improved products all specifications are subject to change without prior notice

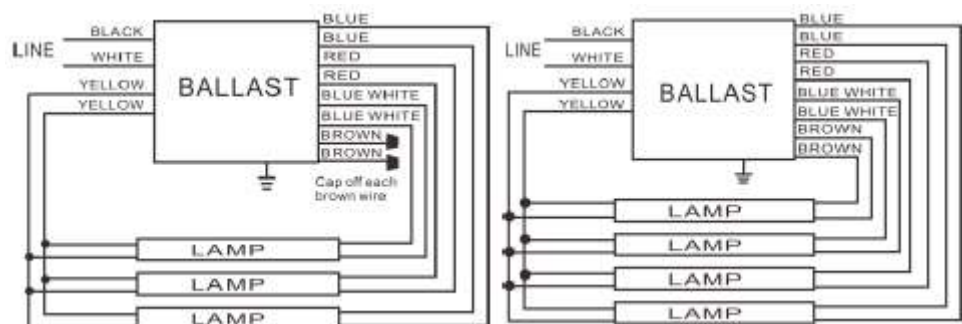
NO. OF LAMPS	INPUT VOLTAGE	LAMP WATTS	INPUT WATTS	MAX INPUT CURRENT (A)	BALLAST FACTOR	MODEL
3	347V	40/32/25/17	79/78/62/45	0.24/0.23/0.18/0.13	0.78/0.76/0.77/0.78	PPC432T8LS
3	347V	30/28/25ES	75/71/65	0.76/0.76/0.76	0.22/0.22/0.18	"
4	347V	32/25/17	92/74/54	0.28/0.21/0.16	0.71/0.72/0.73	"
4	347V	30/28/25ES	89/85/80	0.27/0.25/0.22	0.71/0.71/0.71	"

LIMITED WARRANTY

5 YEAR at maximum case temperature 75 deg C. Manufacturer warrants to the purchaser: Electronic Ballast will be free from defects in material or workmanship from the date of manufacture conditioned upon proper storage, installation, use, and maintenance and conformance with any recommendations of Manufacturer

Lead Length

Colour	inch	cm
Black	19	48
White	19	48
Blue	31	78
Red	31	78
Yellow	46	118
Blue/White	31	78
Brown	31	78



Case Size Series MUL

L	W	H	ML
241	43	30.5	226mm
9.5	1.7	1.2	8.9 inch

**WARNING: Always Disconnect Power Before Handling.
Case Should be Grounded. Install in Accordance
with National and Local Electrical Codes.**

LINEAR T8 1 or 2x58W

Programmed Start

Programmed Start (series) Universal Voltage 120V-277V and 230V High Frequency Electronic ballast for one or two Linear T8 58W GE, Philips, or Osram Fluorescent lamps.

Technical Specification:

UL Listed, CUL Certified, ROHS Compliant
 EMI FCC Parts 18, Subparts C, Class A
 Rating: Type 1 Outdoor, HL, CC
 Sound Rating: Class A
 Min. Starting Temp : - 30° C
 Max. Case Temp: 90° C
 End of Lamp Life Protection Circuit

Surge Protection: Meets ANSI C62.41
 Thermal Protection: CLASS P
 Lamp Current Crest Factor: < 1.6
 Remote Mounting Distance: 10 ft
 Power Factor: 0.99
 Input Frequency: 50/60HZ
 THD: < 10%
 1-lamp only 230V, 277V < 15%

Case Size: Series MU

Due to continuing efforts to offer improved products all specifications are subject to change without prior notice

4/09/11

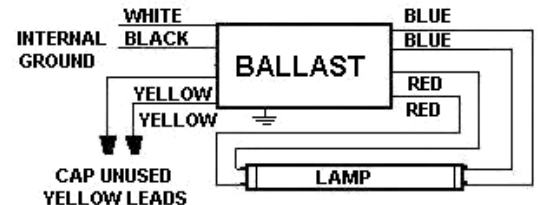
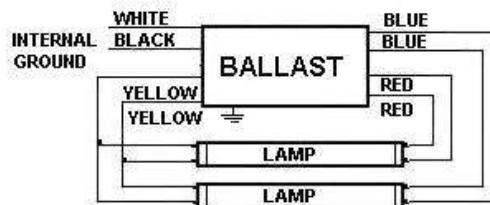
NO. OF LAMPS	INPUT VOLTAGE	LAMP WATTS	INPUT WATTS AVERAGE	MAX INPUT CURRENT (A)	BALLAST FACTOR	MODEL
2 & 1	120V	58	107/59	0.90/0.49	0.90/0.95	NU258T8RS-ROHS
2 & 1	277V	58	107/59	0.40/0.22	0.90/0.95	"
2 & 1	230V	58	107/59	0.50/0.26	0.90/0.95	NE258T8RS

3 YEAR LIMITED WARRANTY

Manufacturer warrants to the purchaser: Electronic Ballast will be free from defects in material or workmanship from the date of manufacture conditioned upon proper storage, installation, use, and maintenance and conformance with any recommendations of Manufacturer.

Lead Length

Colour	inch	cm
Black	18.8	48
White	18.8	48
Blue	30.9	78.5
Red	30.9	78.5
Yellow	46.4	118



WARNING: Always Disconnect Power Before Handling.
Case Should be Grounded. Install in Accordance with National and Local Electrical Codes.

Series MU, MS L W H ML
 Case Size: 241mm 43.8mm 29.5mm 226mm
 9.5inch 1.72inch 1.16inch 8.9inch

LINEAR HO T8 1 or 2x44W

Programmed Start

Programmed Start (Series) Universal Voltage 120V-277V or 347V High Frequency Electronic ballast for one or two (1 or 2) 44W Linear HO T8 GE, Philips, or Osram Fluorescent lamps.

Technical Specification:

UL Listed, CUL Certified, ROHS Compliant
 EMI FCC Parts 18, Subparts C, Class A
 Rating: Type 1 Outdoor
 Sound Rating: Class A
 Min. Starting Temp : - 30° C
 Max. Case Temp: 90° C
 End of Lamp Life Protection Circuit

Surge Protection:
 Thermal Protection:
 Lamp Current Crest Factor:
 Remote Mounting Distance:
 Power Factor:
 Input Frequency:
 THD:

Meets ANSI C62.41
 CLASS P
 < 1.6
 21 ft
 0.99
 50/60HZ
 < 10%

Case Size: Series MU

Due to continuing efforts to offer improved products all specifications are subject to change without prior notice 4/10/09

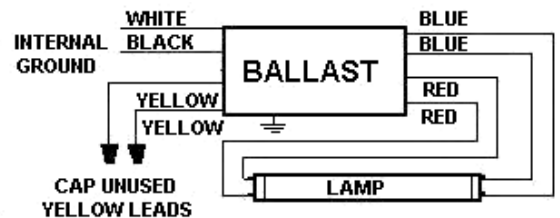
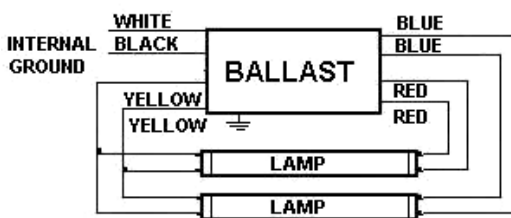
NO. OF LAMPS	INPUT VOLTAGE	LAMP WATTS	AVERAGE INPUT WATTS	MAX INPUT CURRENT (A)	BALLAST FACTOR	MODEL
2/1	120V	44	93/50	0.77/0.41	0.90/1.02	NLU244T8HRS-ROHS
2/1	277V	44	93/50	0.34/0.18	0.90/1.02	“
2/1	347V	44	93/50	0.27/0.14	0.90/1.02	NLC244T8HRS-ROHS

LIMITED WARRANTY

5 YEAR at maximum case temperature 75 deg C. 3 YEAR at maximum case temperature 90 deg C. Manufacturer warrants to the purchaser: Electronic Ballast will be free from defects in material or workmanship from the date of manufacture conditioned upon proper storage, installation, use, and maintenance and conformance with any recommendations of Manufacturer.

Lead Length

Colour	inch	cm
Black	18.8	48
White	18.8	48
Blue	30.9	78.5
Red	30.9	78.5
Yellow	46.4	118



WARNING: Always Disconnect Power Before Handling.
Case Should be Grounded. Install in Accordance with National and Local Electrical Codes.

Series MU, MS L W H ML
 Case Size: 241mm 43.8mm 29.5mm 226mm
 9.5inch 1.72inch 1.16inch 8.9inch

LINEAR HO T8 1 or 2x86W, 2x70W, 65W

Programmed Rapid Start

Programmed Rapid Start (Series) Universal Voltage 120V-277V or 347V High Frequency Electronic ballast for one or two (1 or 2) 86W, two (2) 70W, 65W Linear HO T8 GE, Philips, or Osram Fluorescent lamps.

Technical Specification:

UL Listed, CUL Certified, ROHS Compliant
 EMI FCC Parts 18, Subparts C, Class A
 Rating: Type 1 Outdoor HL
 Sound Rating: Class A
 Min. Starting Temp : - 10° C
 Max. Case Temp: 75° C
 THD: < 10%

Surge Protection:
 Thermal Protection:
 Lamp Current Crest Factor:
 Remote Mounting Distance:
 Power Factor:
 Input Frequency:

Meets ANSI C62.41
 CLASS P
 < 1.6
 21 ft
 0.99
 50/60HZ

Case Size Series FS2

Due to continuing efforts to offer improved products all specifications are subject to change without prior notice

4/10/09

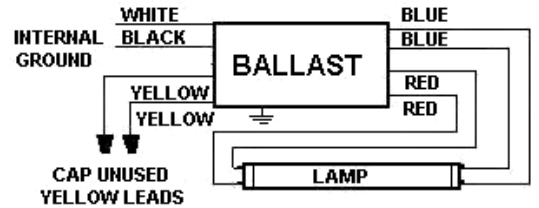
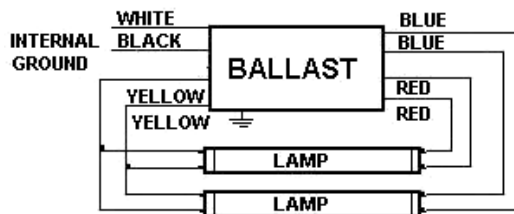
NO. OF LAMPS	INPUT VOLTAGE	LAMP WATTS	AVERAGE INPUT WATTS	MAX INPUT CURRENT (A)	BALLAST FACTOR	MODEL
2 /1	120V	86	187/110	1.56/0.92	1.0/1.12	SLU286T8PRS-ROHS
2/1	230V	86	187/110	0.81/0.48	1.0/1.12	“
2/1	277V	86	187/110	0.67/0.40	1.0/1.12	“
2/1	347V	86	187/110	0.51/0.30	1.0/1.12	NLC286T8PRS-ROHS

LIMITED WARRANTY

5 YEAR at maximum case temperature 75 deg C. Manufacturer warrants to the purchaser: Electronic Ballast will be free from defects in material or workmanship from the date of manufacture conditioned upon proper storage, installation, use, and maintenance and conformance with any recommendations of Manufacturer.

Lead Length

Colour	inch	cm
Black	18.8	48
White	18.8	48
Blue	30.9	78.5
Red	30.9	78.5
Yellow	46.4	118



WARNING: Always Disconnect Power Before Handling.
 Case Should be Grounded. Install in Accordance
 with National and Local Electrical Codes.

Series FS2
 Case Size: L 241mm 9.5inch W 59 mm 2.3inch H 37 mm 1.46inch ML 226mm 8.9inch

Sage

Electronic Fluorescent COMPACT (CFL) Ballasts

120-277V & 347V

COMPACT 1 or 2x18W, 13W, 1x26W
BIAX (TT5) 1 or 2x18W, 2x13W
2D 1 or 2x16W, 1x38W, 28W, 21W
LINEAR T5 1 or 2x14W, 1x28W, 21W

Programmed Start New Slim Case Size with leads

Programmed Start (Series) Universal Voltage 120V-277V or 347V High Frequency Electronic ballast for Compact, BiAx (TT5), 2D, or Linear T8, T5 GE, Philips, or Osram Fluorescent lamps.

Technical Specification:

UL Listed, CUL Certified, ROHS Compliant
 EMI FCC Parts 18, Subparts C, Class A
 Rating: Type 1 Outdoor, HL
 Sound Rating: Class A
 Min. Starting Temp : - 30° C
 Max. Case Temp: 90° C
 End of Lamp Life Protection Circuit

Surge Protection: Meets ANSI C62.41
 Thermal Protection: CLASS P
 Lamp Current Crest Factor: < 1.6
 Remote Mounting Distance: 21 ft
 Power Factor: 0.99
 Input Frequency: 50/60HZ
 THD: < 10% < 20% for 1 - lamp 347V

Case Size: Series C5U

Due to continuing efforts to offer improved products all specifications are subject to change without prior notice

2/02/12

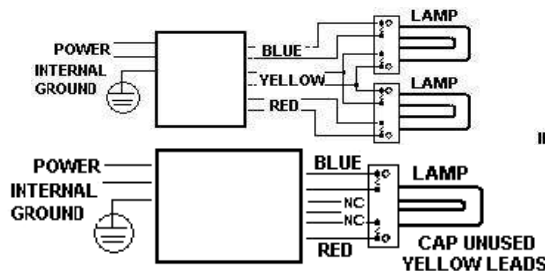
NO. OF LAMPS	INPUT VOLTAGE	LAMP WATTS	INPUT WATTS AVERAGE	MAX INPUT CURRENT (A)	BALLAST FACTOR	MODEL
2	120V	18/13	39/33	0.33/0.29	0.88/0.91	NAU126-ROHS
2	277V	18/13	39/33	0.15/0.12	0.88/0.91	"
2	347V	18/13	39/33	0.12/0.10	0.88/0.91	NAC126
1	120V	28/26/18/13	35/23/20/17	0.29/0.19/0.17/0.14	1.0/0.79/0.92/0.94	NAU126-ROHS
1	277V	28/26/18/13	35/23/20/17	0.14/0.09/0.08/0.07	1.0/0.78/0.92/0.95	"
1	347V	28/26/18/13	35/23/20/17	0.11/0.07/0.06/0.05	1.0/0.78/0.92/0.95	NAC126

LIMITED WARRANTY

5 YEAR at maximum case temperature 75 deg C. 3 YEAR at maximum case temperature 90 deg C. Manufacturer warrants to the purchaser: Electronic Ballast will be free from defects in material or workmanship from the date of manufacture conditioned upon proper storage, installation, use, and maintenance and conformance with any recommendations of Manufacturer.

Lead Length

Colour	inch	cm
Black	18.8	48
White	18.8	48
Blue	18.8	48
Red	18.8	48
Yellow	18.8	48



WARNING: Always Disconnect Power Before Handling.
Case Should be Grounded. Install in Accordance with National and Local Electrical Codes.

Series C5U L W H ML
 Case Size: 164 mm 47 mm 29 mm 150 mm
 6.5inch 1.9inch 1.14inch 5.9inch



COMPACT 1 or 2x32W, 2x26W, 1x42W 2D 1 or 2x21W, 28W BIAX (TT5) 1x50W, 40W, 36W, 2x36W, 27W, 24W LINEAR T5 1 or 2x21W

Programmed Start Small Case Size

Programmed Start (Series) Universal Voltage 125VDC (special order) or 120V-277V or 347V High Frequency Electronic ballast Fluorescent lamps.

Technical Specification:

UL Listed, CUL Certified, **ROHS Compliant**

EMI FCC Parts 18, Subparts C, Class A

Rating: Type 1 Outdoor, HL

Sound Rating: Class A

Min. Starting Temp : - 30° C

Max. Case Temp: 90° C

End of Lamp Life Protection Circuit

For Bottom leads Specify **"B"** at the end of Model #

Surge Protection: Meets ANSI C62.41

Thermal Protection: CLASS P

Lamp Current Crest Factor: < 1.6

Remote Mounting Distance: 21 ft

Power Factor: 0.99

Input Frequency: 50/60HZ

THD: < 10%

Case Size: Series C2U

Due to continuing efforts to offer improved products all specifications are subject to change without prior notice

7/02/12

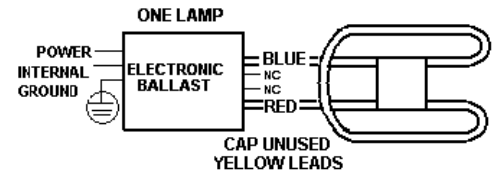
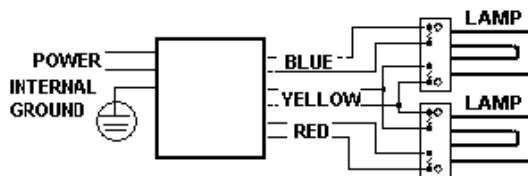
NO. OF LAMPS	INPUT VOLTAGE	LAMP WATTS	INPUT WATTS AVERAGE	MAX INPUT CURRENT (A)	BALLAST FACTOR	MODEL
2 / 1	125VDC	32/2624 42/32	69/58/54 48/34	0.55/0.46/0.43 0.370/.27	0.85/0.88/0.93/0.90	NAU232-125DC
2	120V	36/32/26/24	62/69/58/54	0.52/0.58/0.48/0.45	0.85/0.88/0.93/0.90	NAU232-ROHS
2	277V	36/32/26/24	62/69/58/54	0.22/0.25/0.21/0.20	0.85/0.88/0.93/0.90	"
2	347V	36/32/26/24	62/69/58/54	0.18/0.20/0.17/0.16	0.80/0.87/0.93/0.90	NAC232-ROHS
1	120V	50/42/40/36/32	48/46/43/34/34	0.4/0.39/0.36/0.29	0.81/0.9/1.0/0.85/0.9	NAU232-ROHS
1	277V	50/42/40/36/32	48/46/43/34/34	0.17/0.17/0.16/0.12	0.81/0.9/1.0/0.85/0.9	"
1	347V	50/42/40/36/32	48/46/43/34/34	0.14/0.13/0.12/0.10	0.80/0.9/1.0/0.85/0.9	NAC232-ROHS

LIMITED WARRANTY

5 YEAR at maximum case temperature 75 deg C. 3 YEAR at maximum case temperature 90 deg C. Manufacturer warrants to the purchaser: Electronic Ballast will be free from defects in material or workmanship from the date of manufacture conditioned upon proper storage, installation, use, and maintenance and conformance with any recommendations of Manufacturer.

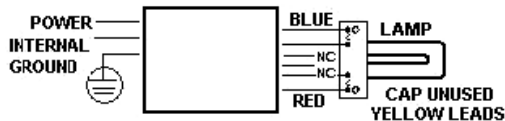
Lead Length

Colour	inch	cm
Black	18.8	48
White	18.8	48
Blue	18.8	48
Red	18.8	48
Yellow	18.8	48



**WARNING: Always Disconnect Power Before Handling.
Case Should be Grounded. Install in Accordance
with National and Local Electrical Codes.**

Series C2U L W H ML
Case Size: 127mm 62mm 30mm 113mm
5.0inch 2.5inch 1.18inch 4.45inch



COMPACT 1 or 2x32W, 2x26W, 1x42W 2D 1 or 2x28W, 21W BIAX (TT5) 1x50W, 40W, 36W, 2x36W, 27W, 24W LINEAR T5 2x21W

New Programmed Start Slim Case Size

Programmed Start (Series) Universal Voltage 120V-277V or 347V High Frequency Electronic ballast Fluorescent lamps.

Technical Specification:

UL Listed, CUL Certified, ROHS Compliant
EMI FCC Parts 18, Subparts C, Class A
Rating: Type 1 Outdoor, HL
Sound Rating: Class A
Min. Starting Temp : - 30° C
Max. Case Temp: 90° C
End of Lamp Life Protection Circuit

Surge Protection: Meets ANSI C62.41
Thermal Protection: CLASS P
Lamp Current Crest Factor: < 1.6
Remote Mounting Distance: 21 ft
Power Factor: 0.99
Input Frequency: 50/60HZ
THD: < 10% 1 - lamp 347V < 15%

Case Size: Series C5U

Due to continuing efforts to offer improved products all specifications are subject to change without prior notice

4/02/12

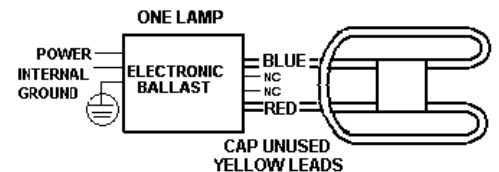
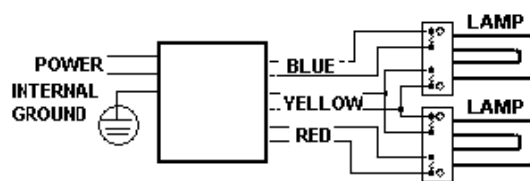
NO. OF LAMPS	INPUT VOLTAGE	LAMP WATTS	INPUT WATTS AVERAGE	MAX INPUT CURRENT (A)	BALLAST FACTOR	MODEL
2	120V	36/32/26/24	62/69/58/54	0.52/0.58/0.48/0.45	0.85/0.88/0.93/0.90	NAU142-ROHS
2	277V	36/32/26/24	62/69/58/54	0.22/0.25/0.21/0.20	0.85/0.88/0.93/0.90	"
2	347V	36/32/26/24	62/69/58/54	0.18/0.20/0.17/0.16	0.80/0.87/0.93/0.90	NAC142-ROHS
1	120V	50/42/40/36/32	48/46/43/34/34	0.4/0.39/0.36/0.29	0.81/0.9/1.0/0.85/0.9	NAU142-ROHS
1	277V	50/42/40/36/32	48/46/43/34/34	0.17/0.17/0.16/0.12	0.81/0.9/1.0/0.85/0.9	"
1	347V	50/42/40/36/32	48/46/43/34/34	0.14/0.13/0.12/0.10	0.80/0.9/1.0/0.85/0.9	NAC142-ROHS

LIMITED WARRANTY

5 YEAR at maximum case temperature 75 deg C. 3 YEAR at maximum case temperature 90 deg C. Manufacturer warrants to the purchaser: Electronic Ballast will be free from defects in material or workmanship from the date of manufacture conditioned upon proper storage, installation, use, and maintenance and conformance with any recommendations of Manufacturer.

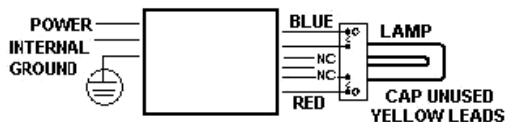
Lead Length

Colour	inch	cm
Black	18.8	48
White	18.8	48
Blue	18.8	48
Red	18.8	48
Yellow	18.8	48



**WARNING: Always Disconnect Power Before Handling.
Case Should be Grounded. Install in Accordance
with National and Local Electrical Codes.**

Series C5U L W H ML
Case Size: 164 mm 47 mm 29 mm 150 mm
6.5inch 1.9inch 1.14inch 5.9inch



COMPACT 1 or 2x42W, 32W, 26W

BIAX 1 or 2x40W, 39W, 36W, 1x55W, 50W

Programmed Start

Programmed Start (Series) Universal Voltage 120V-277V or 347V, High Frequency Electronic ballast for one or two (1 or 2) Compact 42W, 32W, 26W or Biax 40W, 39W, 36W, or one (1) 55W, 50W GE, Philips or Osram Fluorescent lamps.

Technical Specification:

UL Listed, CUL Certified, ROHS compliant
 EMI FCC Parts 18, Subparts C, Class A
 Rating: Type 1 Outdoor, HL
 Sound Rating: Class A
 Min. Starting Temp : - 30° C
 Max. Case Temp: 90° C
 End of Lamp Life Protection Circuit

Surge Protection: Meets ANSI C62.41
 Thermal Protection: CLASS P
 Lamp Current Crest Factor: < 1.6
 Remote Mounting Distance: 21 ft
 Power Factor: 0.99
 Input Frequency: 50/60HZ
 THD: < 10%

For Bottom leads Specify “**B**” at the end of Model #

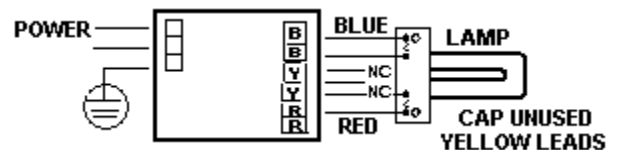
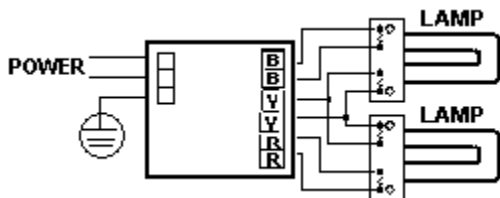
Case Size: Series C4U

Due to continuing efforts to offer improved products all specifications are subject to change without prior notice 9/06/09

NO. OF LAMPS	INPUT VOLTAGE	LAMP WATTS	INPUT WATTS	MAX INPUT CURRENT (A)	BALLAST FACTOR	MODEL
2	120V	42/32/26 & 40/36	87/6755 & 79/62	0.73/0.57/0.49 & 0.68/0.52	0.90	NCU242-ROHS
2	230V	42/32/26 & 40/36	87/6755 & 79/62	0.38/0.29/0.25 & 0.35/0.28	0.90	“
2	277V	42/32/26 & 40/36	87/6755 & 79/62	0.31/0.24/0.20 & 0.28/0.22	0.90	“
2	347V	42/32/26 & 40/36	87/6755 & 79/62	0.25/0.19/0.16 & 0.22/0.17	0.90	NCC242-ROHS
1	120V	42/32/26 & 40/36	46/34/28 & 43/34	0.38/0.28/0.24 & 0.35/0.28	0.90	NCU242-ROHS
1	230V	42/32/26 & 40/36	46/34/28 & 43/34	0.20/0.16/0.12 & 0.19/0.15	0.90	“
1	277V	42/32/26 & 40/36	46/34/28 & 43/34	0.16/0.12/0.10 & 0.15/0.12	0.90	“
1	347V	42/32/26 & 40/36	46/34/28 & 43/34	0.13/0.09/0.08 & 0.12/0.09	0.90	NCC242-ROHS

LIMITED WARRANTY

5 YEAR at maximum case temperature 75 deg C. 3 YEAR at maximum case temperature 90 deg C. Manufacturer warrants to the purchaser: Electronic Ballast will be free from defects in material or workmanship from the date of manufacture conditioned upon proper storage, installation, use, and maintenance and conformance with any recommendations of Manufacturer.



**WARNING: Always Disconnect Power Before Handling.
 Case Should be Grounded. Install in Accordance
 with National and Local Electrical Codes.**

Series C4U L W H ML
 Case Size: 165 mm 73 mm 29 mm 150 mm
 6.49inch 2.87inch 1.14inch 5.9inch

COMPACT 1 or 2x42W, 32W, 2x26W BIAX 1 or 2x40W, 39W, 36W 1x55W, 50W Programmed Start

Programmed Start (Series) Universal Voltage 120V-277V or 347V, High Frequency Electronic ballast for one or two (1 or 2) Compact 42W, 32W, or two (2) 26W or Biax 40W, 39W, 36W, or one (1) 55W, 50W GE, Philips or Osram Fluorescent lamps.

Technical Specification:

UL Listed, CUL Certified, ROHS compliant
EMI FCC Parts 18, Subparts C, Class A
Rating: Type 1 Outdoor, HL
Sound Rating: Class A
Min. Starting Temp : - 30° C
Max. Case Temp: 90° C
End of Lamp Life Protection Circuit
Ballast Factor: >0.90
Dual Terminal Blocks no studs

Surge Protection: Meets ANSI C62.41
Thermal Protection: CLASS P
Lamp Current Crest Factor: < 1.6
Remote Mounting Distance: 21 ft
Power Factor: 0.99
Input Frequency: 50/60HZ
THD: 120V, 347V < 10%
277V < 20% 1-lamp < 30%

Case Size: Series C3U

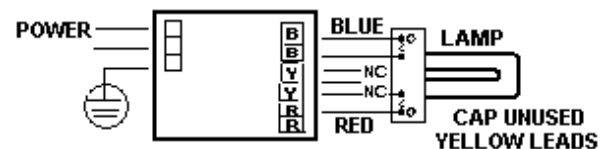
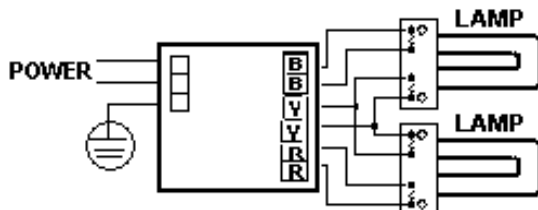
Due to continuing efforts to offer improved products all specifications are subject to change without prior notice

5/09/11

NO. OF LAMPS	INPUT VOLTAGE	LAMP WATTS	INPUT WATTS	MAX INPUT CURRENT (A)	MODEL
2	120V	42/32/26 & 40/39/36	88/66/56 & 79/64/62	0.74/0.55/0.46 & 0.66/0.54/0.51	NCU242/B-ROHS
2	277V	42/32/26 & 40/39/36	88/66/56 & 79/64/62	0.32/0.24/0.21 & 0.28/0.24/0.22	"
2	347V	42/32/26 & 40/39/36	88/68/67 & 80/66/66	0.26/0.20/0.18 & 0.22/0.19/0.20	NCC242/B-ROHS
1	120V	42/32/26 & 50/40/36	45/35/28 & 47/42/33	0.38/0.30/0.24 & 0.39/0.36/0.28	NCU242/B-ROHS
1	277V	42/32/26 & 50/40/36	45/35/31 & 47/44/33	0.16/0.13/0.13 & 0.18/0.17/0.13	"
1	347V	42/32/26 & 50/40/36	45/35/31 & 47/44/34	0.13/0.10/0.09 & 0.14/0.13/0.10	NCC242/B-ROHS

LIMITED WARRANTY

5 YEAR at maximum case temperature 75 deg C. 3 YEAR at maximum case temperature 90 deg C. Manufacturer warrants to the purchaser: Electronic Ballast will be free from defects in material or workmanship from the date of manufacture conditioned upon proper storage, installation, use, and maintenance and conformance with any recommendations of Manufacturer.



WARNING: Always Disconnect Power Before Handling.
Case Should be Grounded. Install in Accordance
with National and Local Electrical Codes.

Series C3U L W H ML
Case Size: 127mm 77mm 34mm 117mm
5.0inch 3.03inch 1.3inch 4.6inch

COMPACT 3x42W, 32W, 26W BIAX (TT5) 3x40W, 39W, 36W

Programmed Rapid Start

Programmed Rapid Start (series) Electronic High Frequency ballast for three (3) Biax (TT5) 40W, 39W, 36W or Compact 42W, 32W, 26W GE, Philips or Osram Fluorescent lamps.

Technical Specification:

UL Listed, CUL Certified, ROHS compliant
EMI FCC Parts 18, Subparts C, Class A
Rating: Type 1 Outdoor
Sound Rating: Class A
Min. Starting Temp : - 10° C
Max. Case Temp: 90° C

Surge Protection: Meets ANSI C62.41
Thermal Protection: CLASS P
Lamp Current Crest Factor: < 1.6
Remote Mounting Distance: 21 ft
Power Factor: 0.99
Input Frequency: 50/60HZ

For Bottom leads Specify "B" at the end of Model #

Case Size: Series FS2

Due to continuing efforts to offer improved products all specifications are subject to change without prior notice 3/01/10

NO. OF LAMPS	INPUT VOLTAGE	LAMP WATTS	AVERAGE INPUT WATTS	MAX INPUT CURRENT (A)	BALLAST FACTOR	THD %	MODEL
3	120V	40/39/36	119/102/75	0.99/0.88/0.79	1.13/0.85/0.90	<10	NAU342RS-ROHS
3	230V	40/39/36	119/102/75	0.50/0.44/0.32	1.07/0.80/0.90	<10	"
3	277V	40/39/36	119/102/75	0.43/0.38/0.35	1.07/0.81/0.90	<10/10/15	"
3	120V	42/32/26	122/85/73	1.01/0.71/0.61	0.88/0.92/0.85	<10	NAU342RS-ROHS
3	230V	42/32/26	122/85/73	0.53/0.37/0.32	0.88/0.87/0.90	<10	"
3	277V	42/32/26	122/85/73	0.44/0.31/0.29	0.88/0.87/0.90	<10	"

LIMITED WARRANTY

5 YEAR at maximum case temperature 75 deg C. 3 YEAR at maximum case temperature 90 deg C. Manufacturer warrants to the purchaser: Electronic Ballast will be free from defects in material or workmanship from the date of manufacture conditioned upon proper storage, installation, use, and maintenance and conformance with any recommendations of Manufacturer

Colour	inch	cm
Black	18.8	48
White	18.8	48
Blue	30.9	78.5
Red	30.9	78.5
Yellow	46.4	118



WARNING: Always Disconnect Power Before Handling.
Case Should be Grounded. Install in Accordance with National and Local Electrical Codes.

Series FS2 Case Size: L 241mm 9.5inch W 59mm 2.3inch H 37mm 1.46inch ML 226mm 8.9inch

COMPACT 1 or 2x57W

Programmed Start

Programmed Start (Series) Universal Voltage 120-277V and 90-240V High Frequency Electronic ballast for Compact Fluorescent one or two (1 or 2) 57W GE or Osram lamps with Auto Reset feature.

Technical Specification:

UL Listed, CUL Certified	Surge Protection:	Meets ANSI C62.41
EMI FCC Parts 18, Subparts C, Class A	Thermal Protection:	CLASS P
Rating: Type 1 Outdoor, HL	Lamp Current Crest Factor:	< 1.6
Sound Rating: Class A	Remote Mounting Distance:	21 ft
Min. Starting Temp : - 20° C	Power Factor:	0.99
Max. Case Temp: 90° C	Input Frequency:	50/60HZ
End of Lamp Life Protection Circuit	THD: 120V < 10% 277V 2-lamp < 15%	
For Bottom leads Specify "B" at the end of Model #		1-lamp < 25%

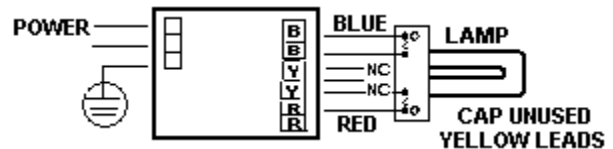
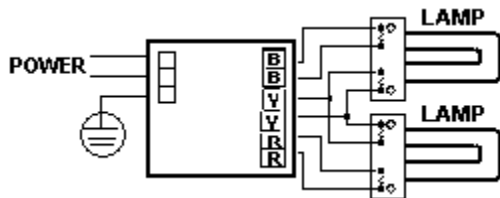
Case Size: Series C4U

Due to continuing efforts to offer improved products all specifications are subject to change without prior notice 12/07/09

NO. OF LAMPS	INPUT VOLTAGE	LAMP WATTS	INPUT WATTS	MAX INPUT CURRENT (A)	BALLAST FACTOR	MODEL
2	120V	57	113	0.95	0.85	NCU257-ROHS
2	277V	57	111	0.40	0.85	"
2	90-240V	57	112	1.20	0.85	NCJ257-ROHS
1	120V	57	58	0.48	0.90	NCU257-ROHS
1	277V	57	58	0.22	0.90	"
1	90-240V	57	58	0.63	0.90	NCJ257-ROHS

LIMITED WARRANTY

5 YEAR at maximum case temperature 75 deg C. 3 YEAR at maximum case temperature 90 deg C. Manufacturer warrants to the purchaser: Electronic Ballast will be free from defects in material or workmanship from the date of manufacture conditioned upon proper storage, installation, use, and maintenance and conformance with any recommendations of Manufacturer.



WARNING: Always Disconnect Power Before Handling.
Case Should be Grounded. Install in Accordance with National and Local Electrical Codes.

Series C4U L W H ML
Case Size: 165 mm 73 mm 29 mm 150 mm
6.49inch 2.87inch 1.14inch 5.9inch

COMPACT 1 or 2x70W, 2x57W

Programmed Start

Programmed Start (Series) 120-277V and 90-240V High Frequency Electronic ballast for Compact Fluorescent one or two 70W or two (2) 57W GE lamps.

Technical Specification:

UL Listed, CUL Certified, ROHS Compliant
 Factory ISO-9002 Certified
 EMI FCC Parts 18, Subparts C, Class A Rating:
 Sound Rating: Class A
 Min. Starting Temp : - 30° C
 Max. Case Temp: 90° C
 IR Interference: None
 End of Lamp Life Protection Circuit

Surge Protection: Meets ANSI C62.41
 Thermal Protection: CLASS P
 Type 1 Outdoor, HL
 Remote Wiring Distance: 21 ft
 Power Factor: 0.99
 Input Frequency: 50/60HZ
 Lamp Current Crest Factor: < 1.7

For Bottom leads Specify “**B**” at the end of Model #

Case Size: Series C7U

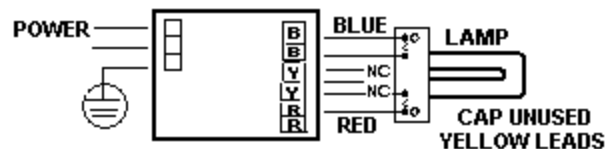
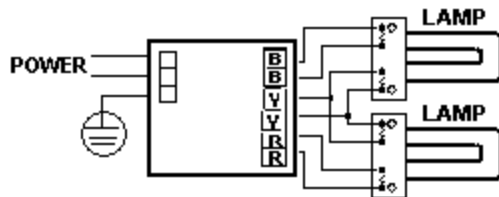
Due to continuing efforts to offer improved products all specifications are subject to change without prior notice

5/02/11

NO. OF LAMPS	INPUT VOLTAGE	LAMP WATTS	INPUT WATTS	MAX INPUT CURRENT (A)	THD (%)	BALLAST FACTOR	MODEL
2/1	120V	70	147/74	1.2 /0.62	<10	0.92/0.99	NCU270-ROHS
2/1	277V	70	143/74	0.52/ 0.27	<10/15	0.92/0.99	“
2	120V	57	119	0.93	<10	0.93	“
2	277V	57	119	0.43	<10	0.93	“
2/1	90-240V	70	147/74	1.60/0.82	<10	0.91/0.94	NCJ270

LIMITED WARRANTY

5 YEAR at maximum case temperature 75 deg C. 3 YEAR at maximum case temperature 90 deg C. Manufacturer warrants to the purchaser: Electronic Ballast will be free from defects in material or workmanship from the date of manufacture conditioned upon proper storage, installation, use, and maintenance and conformance with any recommendations of Manufacturer..



WARNING: Always Disconnect Power Before Handling.
 Case Should be Grounded. Install in Accordance
 with National and Local Electrical Codes.

Series C7U L W H ML
 Case Size: 198mm 80mm 36mm 184mm
 7.8inch 3.15inch 1.42inch 7.24inch

Sage

Electronic Fluorescent 2D, CIRCLINE & LOW VOLTAGE Ballasts

120-277V & 347V

CIRCULAR T5 1X55W 2D 1x55W

Programmed Start

Programmed Start (Series) Universal Voltage 120V-277V or 347V, High Frequency Electronic ballast for one (1) 55W GE 2D 4-pin lamp or Circular T5 55W Philips or Osram Fluorescent lamp.

Technical Specification:

UL Listed, CUL Certified, ROHS Compliant

Rating: Type 1 Outdoor

Sound Rating: Class A

Min. Starting Temp : - 30° C

Max. Case Temp: 90° C

End of Lamp Life Protection Circuit

THD: < 10%

EMI FCC Parts 18, Subparts C, Class A

Surge Protection: Meets ANSI C62.41

Thermal Protection: CLASS P

Lamp Current Crest Factor: < 1.6

Remote Mounting Distance: 21 ft

Power Factor: 0.99

Input Frequency: 50/60HZ

For Bottom mount Specify "B" at the end of Model #

Case Size: Series C1U

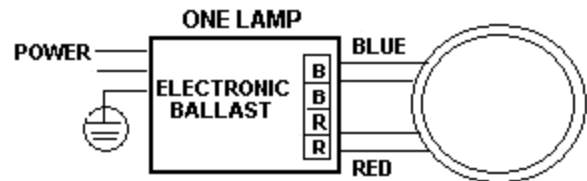
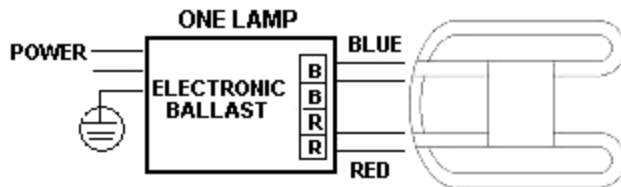
Due to continuing efforts to offer improved products all specifications are subject to change without prior notice

9/09/12

NO. OF LAMPS	INPUT VOLTAGE	LAMP WATTS	INPUT WATTS AVERAGE	MAX INPUT CURRENT (A)	BALLAST FACTOR	MODEL
1	120V	2D 55	56	0.51	>0.90	SU1552DCL-ROHS
1	277V	2D 55	56	0.23	>0.90	"
1	347V	2D 55	56	0.16	>0.90	SC1552DCL-ROHS
1	120V	T5 Circline 55	55	0.51	>0.90	SU1552DCL-ROHS
1	277V	T5 Circline 55	57	0.23	>0.90	"
1	347V	T5 Circline 55	55	0.158	>0.90	SC1552DCL-ROHS

LIMITED WARRANTY

5 YEAR at maximum case temperature 75 deg C. 3 YEAR at maximum case temperature 90 deg C. Manufacturer warrants to the purchaser: Electronic Ballast will be free from defects in material or workmanship from the date of manufacture conditioned upon proper storage, installation, use, and maintenance and conformance with any recommendations of Manufacturer.



WARNING: Always Disconnect Power Before Handling.
Case Should be Grounded. Install in Accordance with National and Local Electrical Codes.

Series C1U L W H ML
Case Size: 132mm 62mm 30mm 122mm
5.2inch 2.5inch 1.18inch 4.8inch

2D 1 x 38W, 28W, 21W

Rapid Start

Modified Rapid Start 120V High Frequency Electronic ballast complete with Polycarbonate housing and socket for: one (1) 2D 38W, 28W, 21W. GE or Osram Fluorescent lamp

Technical Specification:

UL Listed, CUL Certified, ROHS Compliant
Auto Restart

Rating: Type 1 Outdoor
Sound Rating: Class A
Min. Starting Temp : 0° C
Max. Case Temp: 50° C

Surge Protection:

Thermal Protection:

Lamp Current Crest Factor:

Remote Wiring Distance Full Load: 18AWG 10 ft

Power Factor

Input Frequency:

Meets ANSI C62.41

CLASS P

< 1.7

Normal

50/60HZ

Due to continuing efforts to offer improved products all specifications are subject to change without prior notice

4/9/22

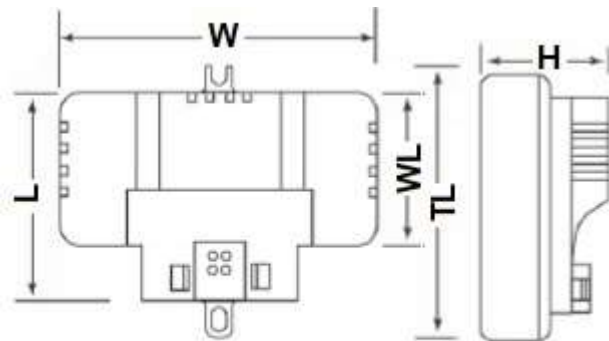
NO. OF LAMPS	LAMP WATTAGE	INPUT VOLTAGE	AVERAGE INPUT WATTS	MAX INPUT CURRENT (A)	BALLAST FACTOR	MODEL
1	21	120V	19	0.31	0.63	SO1212D-ROHS
1	28	120V	27	0.45	0.67	SO1282D-ROHS
1	38	120V	35	0.51	0.66	SO1382D-ROHS

3 YEAR LIMITED WARRANTY

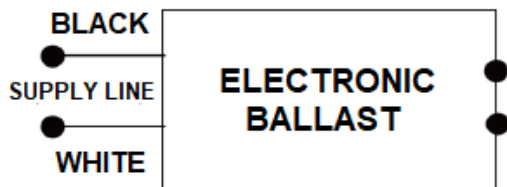
Manufacturer warrants to the purchaser: Electronic Ballast will be free from defects in material or workmanship from the date of manufacture conditioned upon proper storage, installation, use, and maintenance and conformance with any recommendations of Manufacturer. 3 years (For 50° C Max. Case Temp)

CASE DIMENSION IN MM/INCHES

	21W	28W/38W
L	65/2.62	79/3.125
TL	83/3.27	97/3.82
WL	41/1.63	60/2.375
H	36/1.42	37/1.46
W	106/4.18	110/4.33



Mount on Center
21W: 73/2.88 28/38W: 99/3.88



WARNING: Always Disconnect Power Before Handling. Case Should be Grounded. Install in Accordance with National and Local Electrical Codes.

DC 12V (CE & ROHS Compliant)

LINEAR T8 1x40W, 32W, 25W

LINEAR T12 1x40W, 32W, 20W

CIRCLINE T9 1x40W, 32W, 22W

Rapid Start

Rapid Start Series DC 12V Electronic ballast for one (1) T8 40W, 32W, 25W Circline T9 40W, 32W, 22W or T12 40W, 32W, 20W GE, Philips, or Osram Fluorescent lamps.

Technical Specification:

UL Listed, CUL Certified, CE & ROHS Compliant
 Rating: Type 1 Outdoor, HL
 Thermal Protection: CLASS P
 Min. Starting Temp : 0° C
 Max. Case Temp: 75° C

Surge Protection: Meets ANSI C62.41
 Lamp Current Crest Factor: < 1.7
 Remote Mounting Distance: 10 ft
 Sound Rating: Class A

Case Size: Series DC

Due to continuing efforts to offer improved products all specifications are subject to change without prior notice

7/01/18

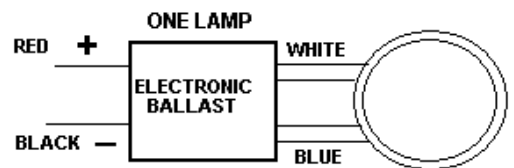
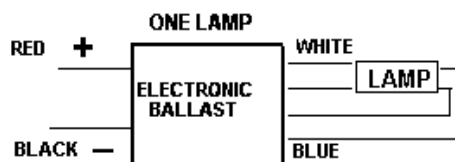
NO. OF LAMPS	INPUT VOLTAGE (DC)	LAMP WATTS	INPUT WATTS	MAX INPUT CURRENT (DCA)	MODEL
1	12	40 T8	39	3.25	SA12DC140RS-ROHS
1	12	40 T12	38	3.16	“
1	12	40 T9 CL	41	3.35	“

5 YEAR LIMITED WARRANTY

Manufacturer warrants to the purchaser: Electronic Ballast will be free from defects in material or workmanship from the date of manufacture conditioned upon proper storage, installation, use, and maintenance and conformance with any recommendations of Manufacturer.

Lead Length

Colour	inch	cm
Black	14	36
White	14	36
Blue	14	36
Red	14	36



WARNING: Always Disconnect Power Before Handling.
 Case Should be Grounded. Install in Accordance
 with National and Local Electrical Codes.

Series DC	L	W	H	ML
Case Size:	147mm	47mm	34mm	133mm
	5.7inch	1.8inch	1.3inch	5.2inch

DC 24V (ROHS Compliant)

LINEAR T8 1x40W, 32W, 25W

LINEAR T12 1x40W, 32W, 20W

CIRCLINE T9 1x40W, 32W, 22W

Rapid Start

Rapid Start Series DC 24V Electronic ballast for one (1) T8 40W, 32W, 25W, Circline T9 40W, 32W, 22W, or T12 40W, 32W, 20W GE, Philips, or Osram Fluorescent lamps.

Technical Specification:

UL Listed, CUL Certified, ROHS Compliant
 Rating: Type 1 Outdoor, HL
 Min. Starting Temp : 0° C
 Max. Case Temp: 75° C
 Sound Rating: Class A

Surge Protection: Meets ANSI C62.41
 Lamp Current Crest Factor: < 1.7
 Thermal Protection: CLASS P
 Remote Mounting Distance: 10 ft

Case Size: Series DC

Due to continuing efforts to offer improved products all specifications are subject to change without prior notice

10/1/11

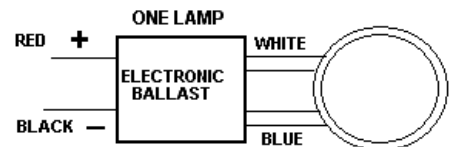
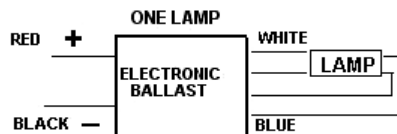
NO. OF LAMPS	INPUT VOLTAGE (DC)	LAMP WATTS	INPUT WATTS	MAX INPUT CURRENT (DCA)	MODEL
1	24	40/32 T8	39/34	1.63/1.44	SA24DC140RS-ROHSM
1	24	40 T12	38	1.60	"
1	24	40 T9 CL	41	1.70	"

5 YEAR LIMITED WARRANTY

Manufacturer warrants to the purchaser: Electronic Ballast will be free from defects in material or workmanship from the date of Manufacture conditioned upon proper storage, installation, use, and maintenance and conformance with any recommendations of Manufacturer.

Lead Length

Colour	inch	cm
Black	14	36
White	14	36
Blue	14	36
Red	14	36



WARNING: Always Disconnect Power Before Handling.
Case Should be Grounded. Install in Accordance with National and Local Electrical Codes.

Series DC Case Size: L W H ML
 147mm 47mm 34mm 133mm
 5.7inch 1.8inch 1.3inch 5.2inch

CIRCLINE T9 1 x 40W, 32W, 22W, 20W

Programmed Start

Programmed Start (Series) Universal Voltage 120V-277V, High Frequency Electronic ballast for one (1) 40W, 32W, 22W, 20W T9 Circline Fluorescent lamps.

Technical Specification:

UL Listed, CUL Certified, ROHS Compliant
 EMI FCC Parts 18, Subparts C, Class A
 Rating: Type 1 Outdoor HL
 Sound Rating: Class A
 Min. Starting Temp : - 30° C
 Max. Case Temp: 90° C
 End of Lamp Life Protection Circuit

Surge Protection:
 Thermal Protection:
 Lamp Current Crest Factor:
 Remote Mounting Distance:
 Power Factor:
 Input Frequency:
 THD:

Meets ANSI C62.41
 CLASS P
 < 1.6
 21 ft
 0.99
 50/60HZ
 < 10%
 < 20%

Case Size: Series C1U

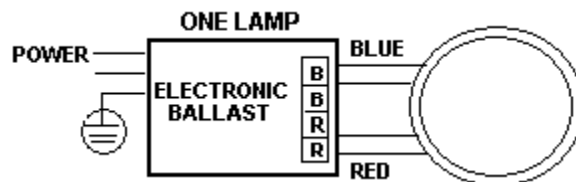
Due to continuing efforts to offer improved products all specifications are subject to change without prior notice

3/10/09

NO. OF LAMPS	INPUT VOLTAGE	LAMP WATTS	INPUT WATTS AVERAGE	MAX INPUT CURRENT (A)	BALLAST FACTOR	MODEL
1	120V	40/32/22	44/31/22	0.36/0.26/0.18	0.86/0.89/0.90	NU140T9-ROHS
1	230V	40/32/22	44/31/22	0.19/0.14/0.10	0.86/0.89/0.90	"
1	277V	40/32/22	44/31/22	0.16/0.12/0.08	0.86/0.89/0.90	"

LIMITED WARRANTY

5 YEAR at maximum case temperature 75 deg C. 3 YEAR at maximum case temperature 90 deg C. Manufacturer warrants to the purchaser: Electronic Ballast will be free from defects in material or workmanship from the date of manufacture conditioned upon proper storage, installation, use, and maintenance and conformance with any recommendations of Manufacturer.



WARNING: Always Disconnect Power Before Handling.
Case Should be Grounded. Install in Accordance with National and Local Electrical Codes.

Series C1U

L	W	H	ML
Case Size: 132mm	62mm	30mm	122mm
5.2inch	2.5inch	1.18inch	4.8inch

Sage

Electronic Ballasts
HPS High Pressure
Sodium

120-277V & 347V

HPS High Pressure Sodium

1x50W

Programmed Pulse Start

Programmed Pulse Start 120V to 277V, 220V to 240V or 347V, Electronic HPS High Pressure Sodium ballast for one lamp (1) 50W ANSI: S68.

Hot Lamp/Output Short Circuit protection: **Programmed I. C. (PIC) with reset.**

3 sequence pulses - each lasting 10 minutes (16 seconds high voltage followed by 584 seconds 0 volts).

Ballast will shut down should lamp not ignite properly with high voltage after the 3 sequence pulses within 30 minutes. Ensuing re-strikes will require reset at power source.

Technical Specification: Option B

UL Listed, CUL Certified

EMI FCC Parts 18, Subparts C, Class A

Rating: Type 1 Outdoor

Sound Rating: Class A

Min. Starting Temp : - 30° C

Max. Case Temp: 90° C

End of Lamp Life Protection Circuit above 180V

THD: < 10%

Max Distance to Lamp: 10ft or 50ft with approved wires

Surge Protection:

Thermal Protection:

Lamp Current Crest Factor:

Ballast Factor:

Power Factor:

Input Frequency:

Lamp Frequency:

Meets ANSI C62.41

CLASS P

< 1.7

1.0

0.99

50/60Hz

155 Hz

Case Size: Series CH14U

For Bottom leads Specify "B" at the end of Model #

Due to continuing efforts to offer improved products all specifications are subject to change without prior notice

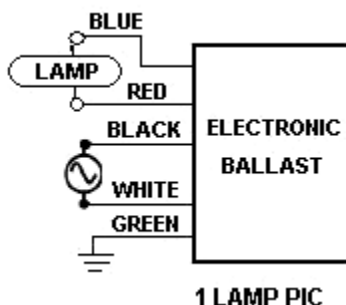
NO. OF LAMPS	INPUT VOLTAGE	LAMP WATTS	INPUT WATTS AVERAGE	MAX INPUT CURRENT (A)	Model # Without External Thermal Device
1	120V	50	59	0.49	NHPSU150
1	277V	50	57	0.21	"
1	347V	50	59	0.17	NHPSC150

LIMITED WARRANTY

5 YEAR at maximum case temperature 75 deg C. 3 YEAR at maximum case temperature 90 deg C. Manufacturer warrants to the purchaser: Electronic Ballast will be free from defects in material or workmanship from the date of manufacture conditioned upon proper storage, installation, use, and maintenance and conformance with any recommendations of Manufacturer

Lead Length

Colour	inch	cm
Black	9.8	25
White	9.8	25
Blue	9.8	25
Red	9.8	25
Green	9.8	25



Series CH14U L W H
 Case Size: 138 mm 91 mm 40 mm 128 mm
 5.43inch 3.58inch 1.57inch 5.04inch

**WARNING: Always Disconnect Power Before Handling.
 Case Should be Grounded. Install in Accordance
 with National and Local Electrical Codes.**

HPS High Pressure Sodium

Programmed Pulse Start

1x70W

Programmed Pulse Start Universal Voltage 120V to 277V, or 347V, Electronic HPS High Pressure Sodium ballast for one lamp (1) 70W ANSI: S62.

Hot Lamp/Output Short Circuit protection: **Programmed I. C. (PIC) with reset.**

3 sequence pulses - each lasting 10 minutes (16 seconds high voltage followed by 584 seconds 0 volts).

Ballast will shut down should lamp not ignite properly with high voltage after the 3 sequence pulses within 30 minutes. Ensuing re-strikes will require reset at power source.

Technical Specification: Option B

UL Listed, CUL Certified
 EMI FCC Parts 18, Subparts C, Class A
 Rating: Type 1 Outdoor
 Sound Rating: Class A
 Min. Starting Temp : - 30° C
 Max. Case Temp: 90° C
 End of Lamp Life Protection Circuit above 180V
 THD: < 10%
 Max Distance to Lamp: 10ft or 50ft with approved wires

Surge Protection: Meets ANSI C62.41
 Thermal Protection: CLASS P
 Lamp Current Crest Factor: < 1.7
 Ballast Factor: 1.0
 Power Factor: 0.99
 Input Frequency: 50/60Hz
 Lamp Frequency: 155 Hz

Case Size: Series CH14U

For Bottom leads Specify "B" at the end of Model #

Due to continuing efforts to offer improved products all specifications are subject to change without prior notice

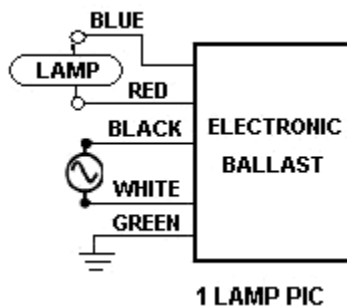
NO. OF LAMPS	INPUT VOLTAGE	LAMP WATTS	INPUT WATTS AVERAGE	MAX INPUT CURRENT (A)	Model # Without External Thermal Device
1	120V	70	81	0.67	NHPSU170
1	277V	70	81	0.29	"
1	347V	70	81	0.24	NHPSC170

LIMITED WARRANTY

5 YEAR at maximum case temperature 75 deg C. 3 YEAR at maximum case temperature 90 deg C. Manufacturer warrants to the purchaser: Electronic Ballast will be free from defects in material or workmanship from the date of manufacture conditioned upon proper storage, installation, use, and maintenance and conformance with any recommendations of Manufacturer

Lead Length

Colour	inch	cm
Black	9.8	25
White	9.8	25
Blue	9.8	25
Red	9.8	25
Green	9.8	25



Series CH14U L W H
 Case Size: 138 mm 91 mm 40 mm 128 mm
 5.43inch 3.58inch 1.57inch 5.04inch

WARNING: Always Disconnect Power Before Handling.
Case Should be Grounded. Install in Accordance with National and Local Electrical Codes.

HPS High Pressure Sodium

1x100W

Programmed Pulse Start

Programmed Pulse Start Universal Voltage 120V to 277V, or 347V, Electronic HPS High Pressure Sodium ballast for one lamp (1) 100W ANSI: S54.

Hot Lamp/Output Short Circuit protection: **Programmed I. C. (PIC) with reset.**

3 sequence pulses - each lasting 10 minutes (16 seconds high voltage followed by 584 seconds 0 volts).

Ballast will shut down should lamp not ignite properly with high voltage after the 3 sequence pulses within 30 minutes. Ensuing re-strikes will require reset at power source.

Technical Specification: Option B

UL Listed, CUL Certified
 EMI FCC Parts 18, Subparts C, Class A
 Rating: Type 1 Outdoor
 Sound Rating: Class A
 Min. Starting Temp : - 30° C
 Max. Case Temp: 90° C
 End of Lamp Life Protection Circuit above 180V
 THD: < 10%
 Max Distance to Lamp: 10ft or 50ft with approved wires

Surge Protection: Meets ANSI C62.41
 Thermal Protection: CLASS P
 Lamp Current Crest Factor: < 1.7
 Ballast Factor: 1.0
 Power Factor: 0.99
 Input Frequency: 50/60Hz
 Lamp Frequency: 155 Hz

Case Size: Series CH3U

For Bottom leads Specify "B" at the end of Model #

Due to continuing efforts to offer improved products all specifications are subject to change without prior notice

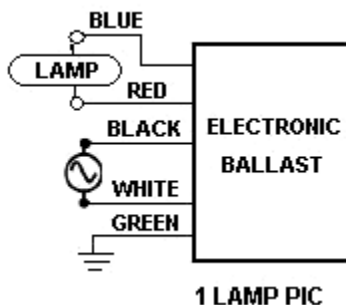
NO. OF LAMPS	INPUT VOLTAGE	LAMP WATTS	INPUT WATTS AVERAGE	MAX INPUT CURRENT (A)	Model # Without External Thermal Device
1	120V	100	119	0.99	NHPSU1100
1	277V	100	118	0.43	"
1	347V	100	122	0.36	NHPSC1100

LIMITED WARRANTY

5 YEAR at maximum case temperature 75 deg C. 3 YEAR at maximum case temperature 90 deg C. Manufacturer warrants to the purchaser: Electronic Ballast will be free from defects in material or workmanship from the date of manufacture conditioned upon proper storage, installation, use, and maintenance and conformance with any recommendations of Manufacturer

Lead Length

Colour	inch	cm
Black	9.8	25
White	9.8	25
Blue	9.8	25
Red	9.8	25
Green	9.8	25



Series CH3U L W H ML
 Case Size: 174 mm 91 mm 44 mm 163 mm
 6.85inch 3.58inch 1.73inch 6.42inch

WARNING: Always Disconnect Power Before Handling. Case Should be Grounded. Install in Accordance with National and Local Electrical Codes.

Sage

Electronic Ballasts

ULTRA VIOLET

Germicidal

120V OR 120-277V

ULTRA VIOLET 1 or 2x15W T8 UV Germicidal Lamp

Rapid Start Auto Restart

Rapid Start Input Voltage 120V Electronic ballast for one or two (1 or 2) T8 15W ultraviolet germicidal lamp.

Technical Specification:

UL Listed, CUL Certified, ROHS Compliant
 EMI FCC Parts 18, Subparts C, Class A
 Rating: IP 65 Type HL
 Sound Rating: Class A
 Min. Starting Temp: 0° C
 Max. Case Temp: 90° C

Surge Protection: Meets ANSI C62.41
 Thermal Protection: CLASS P
 Lamp Current Crest Factor: < 1.7
 Remote Wiring Distance Full Load: 18AWG -18 ft
 Power Factor: 0.45
 Input Frequency: 50/60HZ

Case Size: Series CN1S

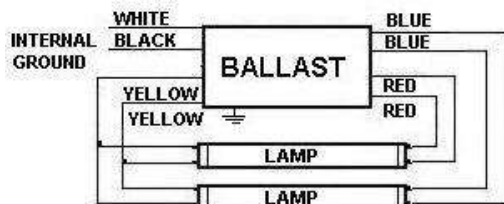
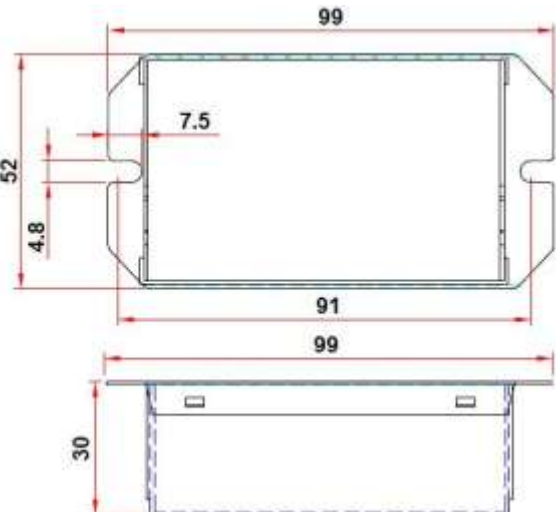
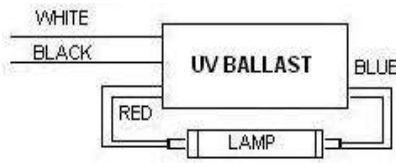
Due to continuing efforts to offer improved products all specifications are subject to change without prior notice

NO. OF LAMPS	Lamp Type	RATED LAMP WATTS	RATED LAMP CURRENT (A)	INPUT WATTS	MAX INPUT CURRENT (A)	MODEL
2	F15WT8UV	15	0.31A	32	0.41A	NO215T8UVRSN
1	F15WT8UV		0.33A	16	0.30A	

LIMITED WARRANTY

5 YEAR at maximum case temperature 75 deg C. Manufacturer warrants to the purchaser: Electronic Ballast will be free from defects in material or workmanship from the date of manufacture conditioned upon proper storage, installation, use, and maintenance and conformance with any recommendations of Manufacturer.

Colour	inch	cm
Black	11.8	30
White	11.8	30
Blue	11.8	30
Red	11.8	30
Yellow	11.8	30



Series CN1S	L	W	H	ML
Case Size	99 mm	52 mm	30 mm	91 mm
	3.9inch	2.05inch	1.18inch	3.58inch

WARNING: Always Disconnect Power Before Handling.
 Case Should be Grounded. Install in Accordance with National and Local Electrical Codes.

ULTRA VIOLET 1 or 2x25W T8 UV Germicidal Lamps

Program Start Auto Restart

Program Start (Series) Universal Voltage 120V-277V High Frequency Electronic ballast for one (1 or 2) OSRAM F25WT8 /OF ultraviolet germicidal lamps.

Technical Specification:

UL Listed, CUL Certified, ROHS Compliant
 EMI FCC Parts 18, Subparts C, Class A
 Rating: IP 65
 Sound Rating: Class A
 Min. Starting Temp: 0° C
 Max. Case Temp: 90° C
 THD: < 10-15%

Surge Protection: Meets ANSI C62.41
 Thermal Protection: CLASS P
 Lamp Current Crest Factor: < 1.7
 Remote Wiring Distance Full Load: 18AWG -18 ft
 Power Factor: >0.9
 Input Frequency: 50/60HZ

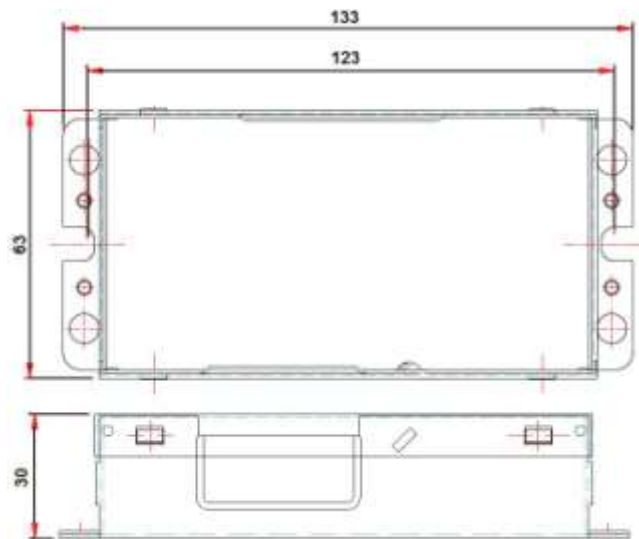
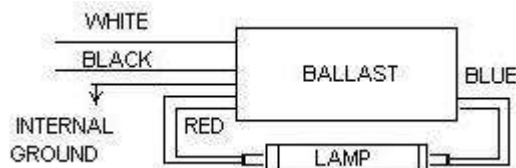
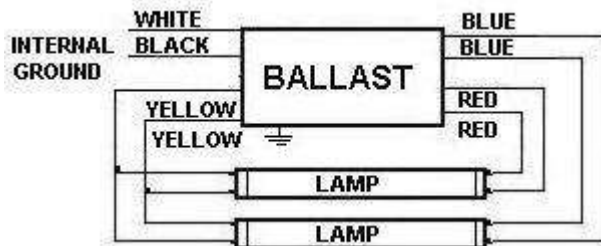
Case Size: Series C1U

Due to continuing efforts to offer improved products all specifications are subject to change without prior notice

INPUT VOLTAGE	NO. OF LAMPS	LAMP TYPE	RATED LAMP WATTS	RATED LAMP CURRENT (A)	INPUT WATTS	MAX INPUT CURRENT (A)	MODEL
120V	1 / 2	OSRAM F25WT8 /OF	36 / 38	0.62/0.60	28/53	0.43/0.19	NU225T8UV
277V						0.24/0.10	

LIMITED WARRANTY

5 YEAR at maximum case temperature 75 deg C. Manufacturer warrants to the purchaser: Electronic Ballast will be free from defects in material or workmanship from the date of manufacture conditioned upon proper storage, installation, use, and maintenance and conformance with any recommendations of Manufacturer.



Series C1U	L	W	H	ML
Case Size:	133mm	63mm	30mm	123mm
	5.23inch	2.48inch	1.18inch	4.84inch

WARNING: Always Disconnect Power Before Handling.
Case Should be Grounded. Install in Accordance with National and Local Electrical Codes.

ULTRA VIOLET 18-30W TT5 or T8 UV Germicidal Lamps

Program Start Auto Restart

Program Start (Series) Universal Voltage 120V-277V High Frequency Electronic ballast for one or two (1 or 2) ultraviolet germicidal lamps.

Technical Specification:

UL Listed, CUL Certified, ROHS Compliant
 EMI FCC Parts 18, Subparts C, Class A
 Meets ICES005(A) IP 30
 Sound Rating: Class A
 Min. Starting Temp: 0° C
 Max. Case Temp: 90° C
 Terminal Blocks

Surge Protection: Meets ANSI C62.41
 Thermal Protection: CLASS P
 Lamp Current Crest Factor: < 1.7
 Remote Wiring Distance Full Load: 18AWG -18 ft
 Power Factor: 0.99
 Input Frequency: 50/60HZ
 THD: < 10%

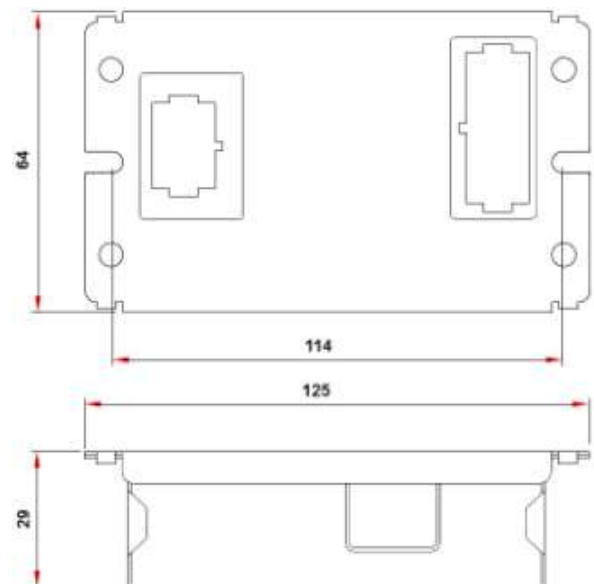
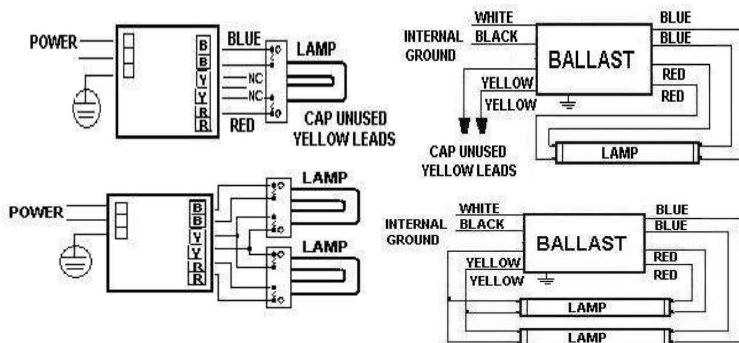
Case Size: Series C11

Due to continuing efforts to offer improved products all specifications are subject to change without prior notice

INPUT VOLTAGE	NO. OF LAMPS	LAMP TYPE	RATED LAMP WATTS	RATED LAMP CURRENT (A)	INPUT WATTS	MAX INPUT CURRENT (A)	MODEL
120V	1 / 2	TUV PLL 24W	24	0.345	26/51	0.44/0.19	NXU224BUV
277V				0.37		0.20/0.09	
120V	1 / 2	TUV PLL 18W	18	0.38	20/39	0.32/0.15	
277V				0.40		0.17/0.07	
120V	1 / 2	OSRAM G30T8 /OF	30	0.39	28/49	0.54/0.24	
277V				0.41		0.27/0.13	

LIMITED WARRANTY

5 YEAR at maximum case temperature 75 deg C. Manufacturer warrants to the purchaser: Electronic Ballast will be free from defects in material or workmanship from the date of manufacture conditioned upon proper storage, installation, use, and maintenance and conformance with any recommendations of Manufacturer.



Series C11	L	W	H	ML
Case Size:	125mm	64mm	29mm	114mm
	4.9inch	2.5inch	1.14inch	4.48inch

WARNING: Always Disconnect Power Before Handling.
Case Should be Grounded. Install in Accordance with National and Local Electrical Codes.

ULTRA VIOLET 6-55W TT5 or T5 T8 UV Germicidal Lamps

Program Start Auto Restart

Program Start (Series) Universal Voltage 120V-277V High Frequency Electronic ballast for one or two (1 or 2) Ultra Violet lamps.

Technical Specification:

UL Listed, CUL Certified, ROHS Compliant
 EMI FCC Parts 18, Subparts C, Class A
 Meets ICES005(A) IP 30
 Sound Rating: Class A
 Min. Starting Temp: 0° C
 Max. Case Temp: 90° C
 Terminal Blocks

Surge Protection:
 Thermal Protection:
 Lamp Current Crest Factor: < 1.7
 Remote Wiring Distance Full Load: 18AWG -18 ft
 Power Factor: 0.99
 Input Frequency: 50/60HZ
 THD: < 10%

Case Size: Series C11

Due to continuing efforts to offer improved products all specifications are subject to change without prior notice

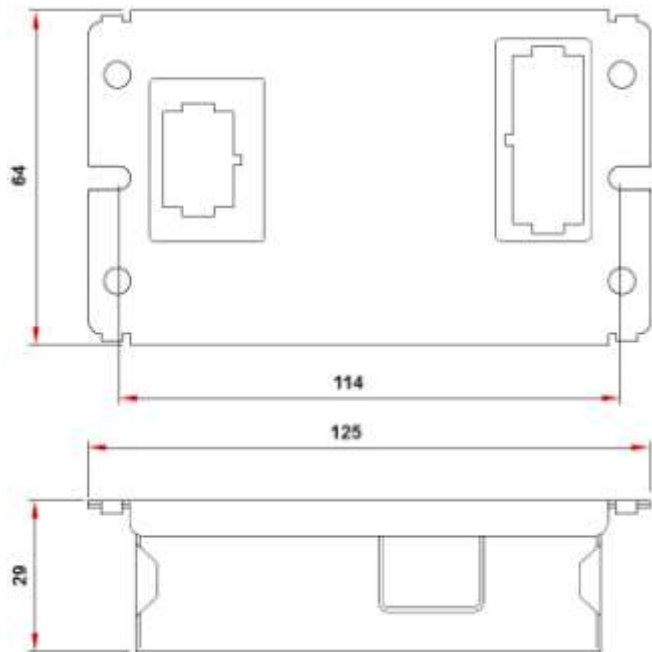
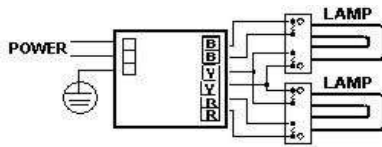
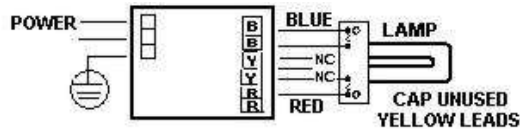
INPUT VOLTAGE	NO. OF LAMPS	LAMP TYPE	RATED LAMP WATTS	RATED LAMP CURRENT (A)	INPUT WATTS	MAX INPUT CURRENT (A)	MODEL
120V	1 / 2	SANUVOX LMPRGX J65	15	0.425	17.7/32.5	0.27/0.12	NU142BUV
277V				0.440		0.15/0.07	
120V	1 / 2	GPH450 T5L/4P	25	0.410	26/46.7	0.39/0.17	
277V				0.436		0.22/0.09	
120V	1 / 2	14-00049-001R	6	0.42	8/16	0.13/0.05	
277V				0.44		0.07/0.03	
120V	1 / 2	14-00036-001R	8	0.42	8/16	0.18/0.08	
277V				0.44		0.09/0.04	
120V	1 / 2	14-00048-001R	10	0.43	12/24	0.20/0.09	
277V				0.45		0.10/0.04	
120V	1 / 2	14-00020-001R	10	0.43	12/24	0.20/0.09	
277V				0.45		0.10/0.04	
120V	1	TUV PLL 36W	36	0.435	42.5	0.36	
277V						0.15	
120V	1	TUV 36WT8	36	0.435	42.5	0.36	
277V						0.15	
120V	1	GPH1025 T5L/4P	55	0.417	53.8	0.45	
277V						0.19	

LIMITED WARRANTY

5 YEAR at maximum case temperature 75 deg C. Manufacturer warrants to the purchaser: Electronic Ballast will be free from defects in material or workmanship from the date of manufacture conditioned upon proper storage, installation, use, and maintenance and conformance with any recommendations of Manufacturer.

ULTRA VIOLET 6-55W TT5 or T5 T8 UV Germicidal Lamps

Program Start Auto Restart



Series C11	L	W	H	ML
Case Size:	125mm	64mm	29mm	114mm
	4.9inch	2.5inch	1.14inch	4.48inch

WARNING: Always Disconnect Power Before Handling.
Case Should be Grounded. Install in Accordance
with National and Local Electrical Codes.

ULTRA VIOLET 30-75W TT5 or HOT5 UV Germicidal Lamps Program Start Auto Restart

Program Start (Series) Universal Voltage 120V-277V High Frequency Electronic ballast for one or two (1 or 2) ultraviolet germicidal lamps.

Technical Specification:

UL Listed, CUL Certified, ROHS Compliant
EMI FCC Parts 18, Subparts C, Class A
Meets ICES005(A) IP 30
Sound Rating: Class A
Min. Starting Temp: 0° C
Max. Case Temp: 90° C
Terminal Blocks

Surge Protection:
Thermal Protection:
Lamp Current Crest Factor: < 1.7
Remote Wiring Distance Full Load: 18AWG -18 ft
Power Factor: 0.99
Input Frequency: 50/60HZ
THD: < 10%

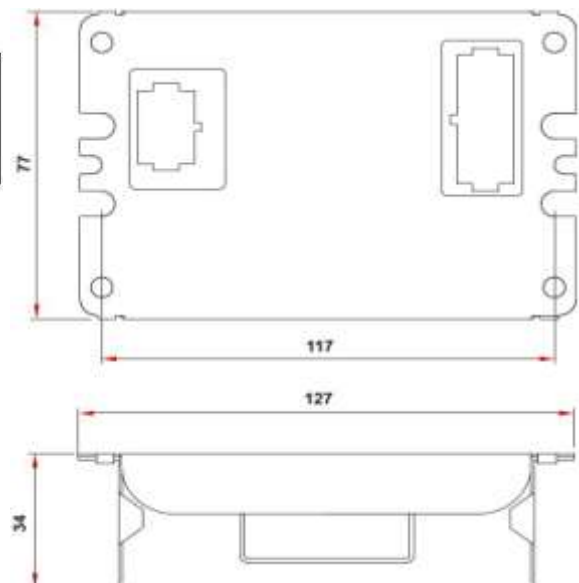
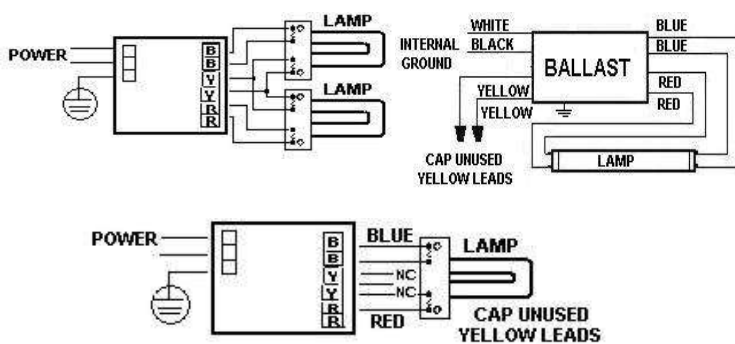
Case Size: Series C3U

Due to continuing efforts to offer improved products all specifications are subject to change without prior notice

INPUT VOLTAGE	NO. OF LAMPS	LAMP TYPE	RATED LAMP WATTS	RATED LAMP CURRENT (A)	INPUT WATTS	MAX INPUT CURRENT (A)	MODEL
120V	1 / 2	Sanuvox LMPRGX J105	30	0.86/0.807	45.4/82	0.69/0.29	NU242BUV
277V						0.38/0.17	
120V	1	TUV PLL 55W	55	0.838	76.5	0.64	
277V						0.28	
120V	1	TUV 36T5HO 4P/SE	75	0.84	71	0.60	
277V						0.26	

LIMITED WARRANTY

5 YEAR at maximum case temperature 75 deg C. Manufacturer warrants to the purchaser: Electronic Ballast will be free from defects in material or workmanship from the date of manufacture conditioned upon proper storage, installation, use, and maintenance and conformance with any recommendations of Manufacturer.



Series C3U L W H ML
Case Size: 127mm 77mm 34mm 117mm
5.0inch 3.03inch 1.3inch 4.6inch

WARNING: Always Disconnect Power Before Handling.
Case Should be Grounded. Install in Accordance
with National and Local Electrical Codes.

ULTRA VIOLET 36W TT5 or T8 UV Germicidal Lamps

Program Start Auto Restart

Program Start (Series) Universal Voltage 120V-277V High Frequency Electronic ballast for one or two (1 or 2) 36W TT5 or T8 ultraviolet germicidal lamps.

Technical Specification:

UL Listed, CUL Certified, ROHS Compliant
 EMI FCC Parts 18, Subparts C, Class A
 Rating: IP 65
 Sound Rating: Class A
 Min. Starting Temp: 0° C
 Max. Case Temp: 90° C
 THD: < 10-20%

Surge Protection: Meets ANSI C62.41
 Thermal Protection: CLASS P
 Lamp Current Crest Factor: < 1.7
 Remote Wiring Distance Full Load: 18AWG -18 ft
 Power Factor: >0.9
 Input Frequency: 50/60HZ

Case Size: Series MUL

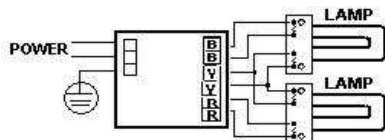
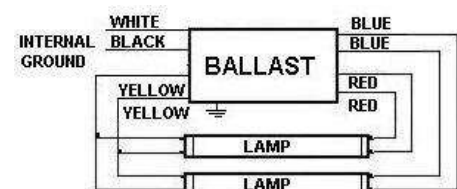
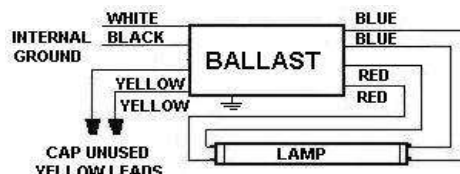
Due to continuing efforts to offer improved products all specifications are subject to change without prior notice

INPUT VOLTAGE	NO. OF LAMPS	LAMP TYPE	RATED LAMP WATTS	RATED LAMP CURRENT (A)	INPUT WATTS	MAX INPUT CURRENT (A)	MODEL
120V	1 / 2	TUV PLL 36W	36	0.442/0.403	43.15/83	0.69/0.32	NXU240RSUV
277V						0.36/0.16	
120V	1 / 2	TUV 36WT8			43.15/83	0.69/0.32	
277V						0.36/0.16	
120V	1 / 2	OSRAM HNS36W			43.15/83	0.69/0.32	
277V						0.36/0.16	

LIMITED WARRANTY

5 YEAR at maximum case temperature 75 deg C. Manufacturer warrants to the purchaser: Electronic Ballast will be free from defects in material or workmanship from the date of manufacture conditioned upon proper storage, installation, use, and maintenance and conformance with any recommendations of Manufacturer.

Colour	inch	cm
Black	18.8	48
White	18.8	48
Blue	31	78
Red	31	78
Yellow	46	118



Series MUL L W H ML
 Case Size: 241mm 43mm 29mm 226mm
 9.5inch 1.7inch 1.14inch 8.9inch

WARNING: Always Disconnect Power Before Handling.
Case Should be Grounded. Install in Accordance with National and Local Electrical Codes.



ULTRA VIOLET T5 1x55W UV Germicidal Lamps

Program Start Auto Restart

Program Start (Series) Universal Voltage 120V-277V High Frequency Electronic ballast for one (1) 55W T5 ultraviolet germicidal lamps.

Technical Specification:

UL Listed, CUL Certified, ROHS Compliant
 EMI FCC Parts 18, Subparts C, Class A
 Rating: IP 65
 Sound Rating: Class A
 Min. Starting Temp: 0° C
 Max. Case Temp: 90° C
 THD: < 10-15%

Surge Protection: Meets ANSI C62.41
 Thermal Protection: CLASS P
 Lamp Current Crest Factor: < 1.7
 Remote Wiring Distance Full Load: 18AWG -18 ft
 Power Factor: >0.9
 Input Frequency: 50/60HZ

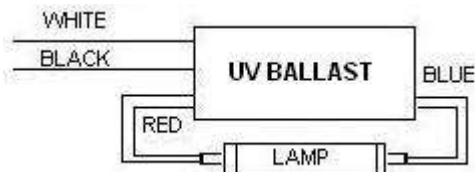
Case Size: Series C1U

Due to continuing efforts to offer improved products all specifications are subject to change without prior notice

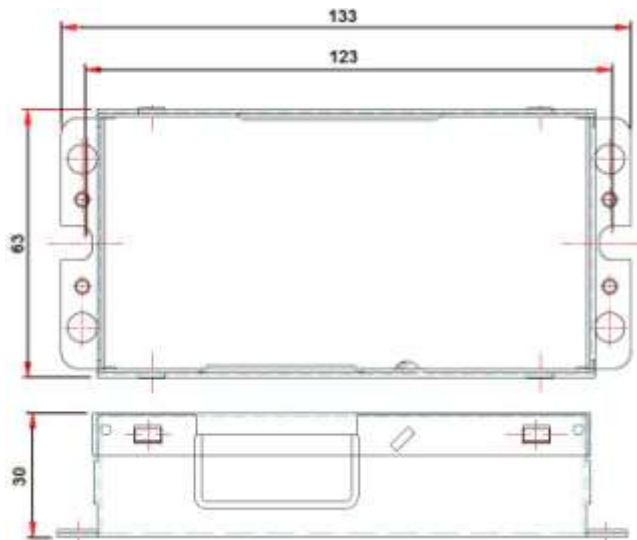
INPUT VOLTAGE	NO. OF LAMPS	LAMP TYPE	RATED LAMP WATTS	RATED LAMP CURRENT (A)	INPUT WATTS	MAX INPUT CURRENT (A)	MODEL
120V	1	GPH550 T5L/HO	52	0.80	65	0.51	NU155T5UV
277V						0.23	

LIMITED WARRANTY

5 YEAR at maximum case temperature 75 deg C. Manufacturer warrants to the purchaser: Electronic Ballast will be free from defects in material or workmanship from the date of manufacture conditioned upon proper storage, installation, use, and maintenance and conformance with any recommendations of Manufacturer.



Series C1U L W H ML
 Case Size: 133mm 63mm 30mm 123mm
 5.23inch 2.48inch 1.18inch 4.84inch



WARNING: Always Disconnect Power Before Handling.
Case Should be Grounded. Install in Accordance with National and Local Electrical Codes.

ULTRA VIOLET TT5 1x55W UV Germicidal Lamps

Program Start Auto Restart

Program Start (Series) Universal Voltage 120V-277V High Frequency Electronic ballast for one (1) 55W TT5 ultraviolet germicidal lamps.

Technical Specification:

UL Listed, CUL Certified, ROHS Compliant
 EMI FCC Parts 18, Subparts C, Class A
 Rating: IP 65
 Sound Rating: Class A
 Min. Starting Temp: 0° C
 Max. Case Temp: 90° C
 THD: < 10-15%

Surge Protection: Meets ANSI C62.41
 Thermal Protection: CLASS P
 Lamp Current Crest Factor: < 1.7
 Remote Wiring Distance Full Load: 18AWG -18 ft
 Power Factor: >0.9
 Input Frequency: 50/60HZ

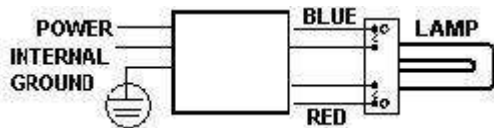
Case Size: Series C1U

Due to continuing efforts to offer improved products all specifications are subject to change without prior notice

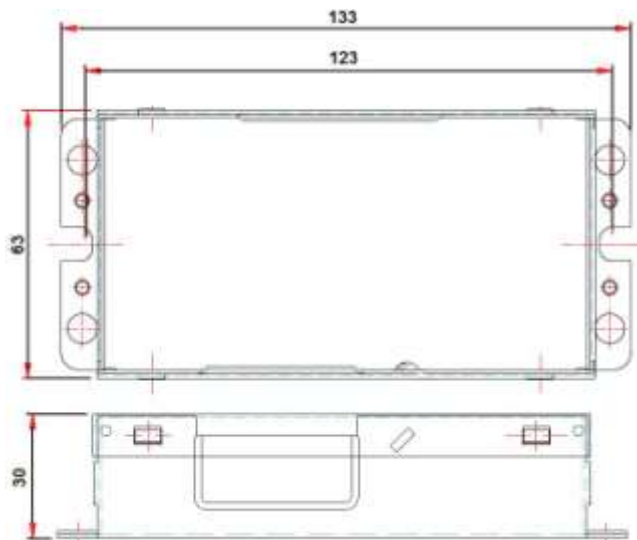
INPUT VOLTAGE	NO. OF LAMPS	LAMP TYPE	RATED LAMP WATTS	RATED LAMP CURRENT (A)	INPUT WATTS	MAX INPUT CURRENT (A)	MODEL
120V	1	TUV PLL 55W	55	0.54	60	0.51	NXU155UV
277V						0.23	

LIMITED WARRANTY

5 YEAR at maximum case temperature 75 deg C. Manufacturer warrants to the purchaser: Electronic Ballast will be free from defects in material or workmanship from the date of manufacture conditioned upon proper storage, installation, use, and maintenance and conformance with any recommendations of Manufacturer.



Series C1U	L	W	H	ML
Case Size:	133mm	63mm	30mm	123mm
	5.23inch	2.48inch	1.18inch	4.84inch



WARNING: Always Disconnect Power Before Handling.
Case Should be Grounded. Install in Accordance with National and Local Electrical Codes.

ULTRA VIOLET TT5 1 or 2x55W UV Germicidal Lamps

Program Start Auto Restart

Program Start (Series) Universal Voltage 120V-277V High Frequency Electronic ballast for one or two (1 or 2) 55W TT5 ultraviolet germicidal lamps.

Technical Specification:

UL Listed, CUL Certified, ROHS Compliant
 EMI FCC Parts 18, Subparts C, Class A
 Rating: IP 65
 Sound Rating: Class A
 Min. Starting Temp: 0° C
 Max. Case Temp: 90° C
 THD: < 10-20%

Surge Protection: Meets ANSI C62.41
 Thermal Protection: CLASS P
 Lamp Current Crest Factor: < 1.7
 Remote Wiring Distance Full Load: 18AWG -18 ft
 Power Factor: >0.9
 Input Frequency: 50/60HZ

Case Size: Series MUL

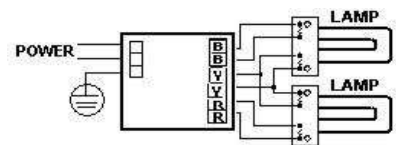
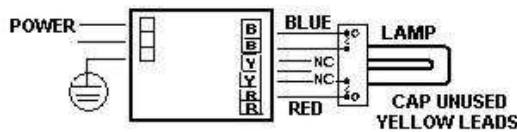
Due to continuing efforts to offer improved products all specifications are subject to change without prior notice

INPUT VOLTAGE	NO. OF LAMPS	LAMP TYPE	RATED LAMP WATTS	RATED LAMP CURRENT (A)	INPUT WATTS	MAX INPUT CURRENT (A)	MODEL
120V	1 / 2	OSRAM HNSL 55W	55	0.56	56/112	0.97/0.43	NXU255RSUV
277V				0.54		0.54/0.22	
120V	1 / 2	TUV PLL 55W	55	0.56	55/110	0.97/0.43	
277V				0.54		0.54/0.22	

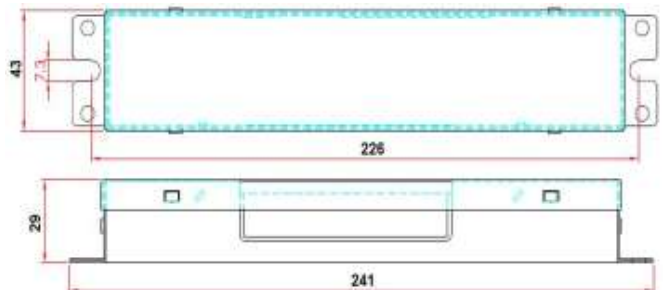
LIMITED WARRANTY

5 YEAR at maximum case temperature 75 deg C. Manufacturer warrants to the purchaser: Electronic Ballast will be free from defects in material or workmanship from the date of manufacture conditioned upon proper storage, installation, use, and maintenance and conformance with any recommendations of Manufacturer.

Colour	inch	cm
Black	18.8	48
White	18.8	48
Blue	31	78
Red	31	78
Yellow	46	118



Series MUL	L	W	H	ML
Case Size:	241mm	43mm	29mm	226mm
	9.5inch	1.7inch	1.14inch	8.9inch



WARNING: Always Disconnect Power Before Handling.
Case Should be Grounded. Install in Accordance with National and Local Electrical Codes.

ULTRA VIOLET T5 1x110W UV Germicidal Lamps

Program Start Auto Restart

Program Start (Series) Universal Voltage 120V-277V High Frequency Electronic ballast for one (1) 110W T5 ultraviolet germicidal lamps.

Technical Specification:

UL Listed, CUL Certified, ROHS Compliant
 EMI FCC Parts 18, Subparts C, Class A
 Rating: IP 65
 Sound Rating: Class A
 Min. Starting Temp: 0° C
 Max. Case Temp: 90° C
 THD: < 10-15%

Surge Protection: Meets ANSI C62.41
 Thermal Protection: CLASS P
 Lamp Current Crest Factor: < 1.7
 Remote Wiring Distance Full Load: 18AWG -18 ft
 Power Factor: >0.9
 Input Frequency: 50/60HZ

Case Size: Series FS10

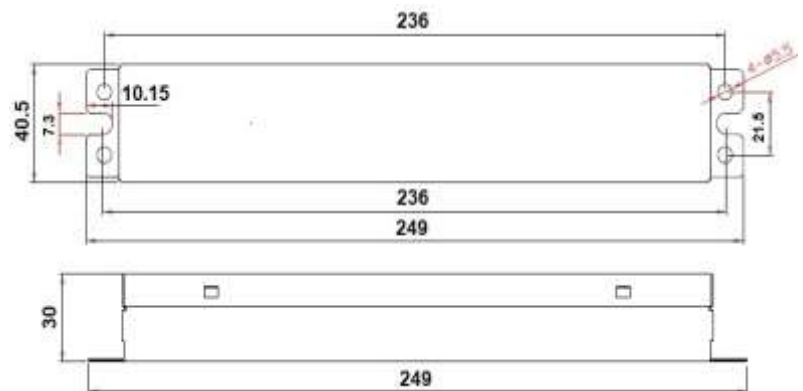
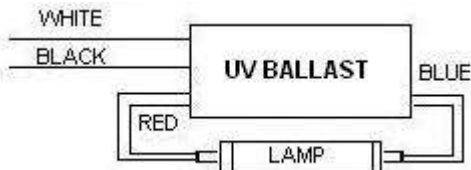
Due to continuing efforts to offer improved products all specifications are subject to change without prior notice

INPUT VOLTAGE	NO. OF LAMPS	LAMP TYPE	RATED LAMP WATTS	RATED LAMP CURRENT (A)	INPUT WATTS	MAX INPUT CURRENT (A)	MODEL
120V	1	GTD 40 VO	110	0.77	83	0.70	NU1110T5UV
277V						0.30	

LIMITED WARRANTY

5 YEAR at maximum case temperature 75 deg C. Manufacturer warrants to the purchaser: Electronic Ballast will be free from defects in material or workmanship from the date of manufacture conditioned upon proper storage, installation, use, and maintenance and conformance with any recommendations of Manufacturer.

Colour	inch	cm
Black	6.5	16.5
White	6.5	16.5
Blue	31	80
Red	31	80



Series FS10 L W H ML
 Case Size: 249mm 40.5mm 30mm 236mm
 9.8inch 1.59inch 1.18inch 9.29inch

WARNING: Always Disconnect Power Before Handling.
Case Should be Grounded. Install in Accordance
with National and Local Electrical Codes.

ULTRA VIOLET T5 1x150W UV Germicidal Lamps

Program Start Auto Restart

Program Start (Series) Universal Voltage 120V-277V High Frequency Electronic ballast for one (1) 150W T5 ultraviolet germicidal lamps.

Technical Specification:

UL Listed, CUL Certified, ROHS Compliant
 EMI FCC Parts 18, Subparts C, Class A
 Rating: IP 65
 Sound Rating: Class A
 Min. Starting Temp: 0° C
 Max. Case Temp: 90° C
 THD: < 10-15%

Surge Protection: Meets ANSI C62.41
 Thermal Protection: CLASS P
 Lamp Current Crest Factor: < 1.7
 Remote Wiring Distance Full Load: 18AWG -18 ft
 Power Factor: >0.9
 Input Frequency: 50/60HZ

Case Size: Series MUL

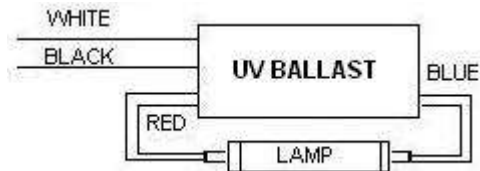
Due to continuing efforts to offer improved products all specifications are subject to change without prior notice

INPUT VOLTAGE	NO. OF LAMPS	LAMP TYPE	RATED LAMP WATTS	RATED LAMP CURRENT (A)	INPUT WATTS	MAX INPUT CURRENT (A)	MODEL
120V	1	EGTS 61	150	0.78	130	1.08	NU1150T5UV
277V						0.47	

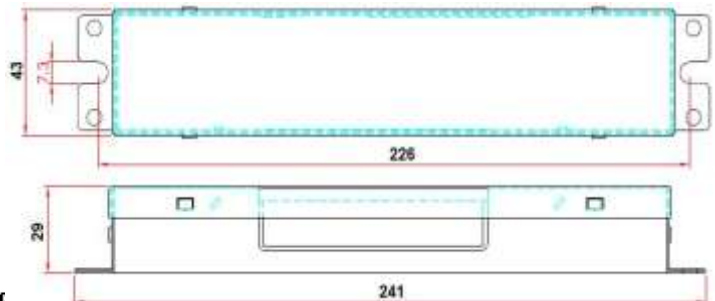
LIMITED WARRANTY

5 YEAR at maximum case temperature 75 deg C. Manufacturer warrants to the purchaser: Electronic Ballast will be free from defects in material or workmanship from the date of manufacture conditioned upon proper storage, installation, use, and maintenance and conformance with any recommendations of Manufacturer.

Colour	inch	cm
Black	18	45
White	18	45
Blue	31	80
Red	31	80



Series MUL	L	W	H	ML
Case Size:	241mm	43mm	29mm	226mm
	9.5inch	1.7inch	1.14inch	8.9inch



WARNING: Always Disconnect Power Before Handling.
Case Should be Grounded. Install in Accordance with National and Local Electrical Codes.