

**SAGE LIGHTING** presents innovative energy saving products for commercial, industrial and residential markets. Among others, we offer a wide range of dimming and non dimming LED Drivers including Selectable Multi Current, Multi Channel, Constant Current, Constant Voltage, IP67, Open Frame Leading & Trailing Edge Dimming including Emergency LED Drivers and Emergency Battery Backup for LED Drivers.

**Check out our latest Emergency LED Driver models:**  
(see spec sheets below)

- **Emergency Inverter 25W 35W or 50W AC Sine Wave with Auto Select 120VAC or 277VAC Output Voltage:**

Model IEM50W128P1FT

This NEW 25W, 35W or 50W Constant Power **Inverter** models offer Auto Select 120VAC or 277VAC and is perfect for both USA and Canada to meet egress requirements that may stipulate emergency Operating times.

- **Two-hour Emergency driver with 120-347V Input Voltage:**

Model CEM10W1555B64P2EM4

This NEW **Ultra Slim** Constant Power **Multi Voltage** Input (120V to 347V) model is perfect for both USA and Canada to meet egress requirements that may stipulate **extended two-hour** emergency Operating times.

- **IP67 Test Switch & -20C Emergency driver with 120-347V Input Voltage:**

Model CCEM10W1555B72P

The **Cold Temp** Constant Power **Multi Voltage** Input (120V to 347V) models are for select applications such as Damp, wet or humid areas.

These are available with Optional **IP67 Rated Test Switch & LED Indicator Light and/or Flexible Metal Conduit.**

- Fixture manufacturers could consider Sage **Compact Case Cold Temp** emergency drivers with **Remote Battery option** for fully enclosed or gasketed fixtures where there is limited integral mounting space. Ideal for Compact sized fixtures.

Keep in mind that all **SAGE LIGHTING** Emergency Drivers are offered with **Factory-wired Test Switch/ Indicator, Face Plate & Battery End Connectors** for easy installation and also meet CA Title 20 requirements.

Jan 2024

**SAGE LIGHTING** presents innovative energy saving products for commercial, industrial and residential markets. Among others, we offer a wide range of dimming and non dimming LED Drivers including Selectable Multi Current, Multi Channel, Constant Current, Constant Voltage, IP67, Open Frame Leading & Trailing Edge Dimming including Emergency LED Drivers and Emergency Battery Backup for LED Drivers.

We have been manufacturing electronic ballasts for linear, compacts and single-ended lamps, including high output lamps since twenty years ago. Our electronic ballasts are available for virtually all types of fluorescent lamps with advanced features, very slim housing, multiple Volts, watts and lamps including universal voltage up to 480V for North America and low voltage for special applications.

The latest additions to our line of innovative products are the Programmable LED Drivers in various dimensions to meet the ever changing demands. These Drivers are available in Universal Voltage, 347V and 347-480V.

Keeping ahead of the competition and giving customers wide-ranging design capabilities, **SAGE LIGHTING** thrives to identify, develop and introduce advanced, cost effective designs. Out of our three manufacturing facilities, we strive to reduce manufacturing costs without compromising product quality, and we provide reliable and affordable electronic ballasts and drivers worldwide. **SAGE LIGHTING** products meet UL, CUL, CE and ROHS standards. We are recognized for our prompt service and dependable delivery. We are committed to bringing innovation to feed the appetite of the lighting industry.

**SAGE LIGHTING** has accomplished sophisticated lighting expertise with exceptional customer service. We challenge you to endorse our products and price to benefit your organization.

May 2023

# LED Driver Emergency Driver & Fluorescent Ballast Housing Dimensions

Measurements

mm/inches

BALLAST SERIES	LAMP TYPE LAMP WATTAGE	LENGTH	WIDTH	HEIGHT	MOUNTING LENGTH (ML)
C1S	CFL 13W-18W, DC 125V	165/6.49	49/1.9	33/1.29	150/5.9
C2S	CFL 26-42W, Circline	174/6.8	61/2.4	31/1.23	158/6.23
C1U	CFL 13-42W, BX 13-24W	132/5.2	62/2.45	30/1.18	122/4.8
C2U	CFL, BX 13W-55W, 2D, T8, T5	127/5.0	63/2.48	30/1.18	111.5/4.39
C2B	CFL 26 Circline 22-40W	125/4.92	64/2.51	29/1.14	114/4.49
C3U	CFL 26-70W, BX 36-55W Circline T5, T9 22W-55W	127/5.0	77/3.03	34/1.3	117/4.6
C4U	CFL 26-42W, BX 36-40W	165/6.49	73/2.87	29/1.14	150/5.9
C5U	CFL 13W-42W, 2D,T8, BX 24W-50W	164/6.5	47/1.9	29/1.14	150/5.9
C7U	CFL 2x57-70W	198/7.8	80/3.15	36/1.42	184/7.24
C11	UV 30W-75W	125/4.9	64/2.5	29/1.14	114/4.48
CN1S	CFL 13W-26W	99/3.9	52/2.05	30/1.18	91/3.58
DC	12/24V DC T8 17W-40W CFL Biax 13-40W T5 14W-35W HOT5 24W-39W Circline T5,T9 22W-40W	147/5.7	47/1.8	34/1.3	133/5.2

E1	T8 15W, 18W, 36W	280/11.02	39/1.54	28/1.1	265/10.43
E2	HOT5 24W-54W T5 21W-35W	314/12.36	34/1.34	29/1.14	300/11.81
E3	HOT5, Biax 24W-96W	325/12.8	34/1.34	29/1.14	317/12.48
E4L	HOT5, Biax 54W-55W SW	450/17.72	43/1.69	29/1.14	438/17.24
E5	HOT5, Biax 24W-39W T5 T5LO 13W-35W	290/11.4	34/1.34	27/1.06	282/11.1
E6	HOT5, Biax 2x80W-96W	325/12.8	64.6/2.52	30/1.18	317/12.5
E8	HOT5, Biax 54W-55W	420/16.5	27/1.06	29/1.14	400/15.7
E9/E9L	HOT5 54W T832W Dimming	395/15.5	38/1.50	29/1.14	387/15.2
E10	Nippo T6 17-46W	420/16.5	30.8/1.21	28/1.09	413/16.25
E11	HOT5, Biax 54W-55W	450/17.72	76/3.0	29/1.14	438/17.24
E12	T5 HOT5, Biax 14W-55W	360/14.17	32/1.26	21/0.83	350/13.80
E16	T8 70W	360/14.17	42/1.65	29/1.14	345/11.58

38/8/20

# LED Driver Emergency Driver & Fluorescent Ballast Housing Dimensions

Measurements

mm/inches

BALLAST SERIES	LAMP TYPE LAMP WATTAGE	LENGTH	WIDTH	HEIGHT	MOUNTING LENGTH (ML)
FS2	BX 3 or 4x24-40W T5 4x14W-35W CFL 3x26W-70W 4x32W	241/9.5	59/2.3	37/1.46	226/8.9
FS1	Biax 3x55/50 54W	241/9.5	78/3.07	40/1.57	226/8.9
FS10	UV T5	249/9.8	40.5/1.59	30/1.18	236/9.29

H1	T8 1 or 2x58, 70W	360/14.17	42/1.65	28/1.1	350/13.77
----	-------------------	-----------	---------	--------	-----------

JES	T5 1,2x24-54W, 14-35W	365/14.4	30/1.18	28/1.1	355/13.97
JEV	T5 1x24-54W, 14W-35W T8 1x17-32W	310/12.2	25/0.98	20/0.79	300/11.81
JEV3	T5 3x8W	310/12.2	39/1.54	28/1.1	300/11.81

MC	T8, T8 LO 1,2x17W-40W	241/9.5	32/1.26	28/1.1	226/8.9
----	-----------------------	---------	---------	--------	---------

MS, MU	CFL 13-42W	241/9.5	43.8/1.72	29.5/1.16	226/8.9
	BX 1,2,3, 4x36-40W				
	BX 13-80W				
	T8 1,2, 3,4x17W-40W				
	T8 15-59W HO T8 44W				
	T5 14W-35W				
	HO T5 24W-80W				

27/06/21

# LED Driver Emergency Driver & Fluorescent Ballast Housing Dimensions

Measurements

mm/inches

BALLAST SERIES	LAMP TYPE LAMP WATTAGE	LENGTH	WIDTH	HEIGHT	MOUNTING LENGTH (ML)
CH1U	HID 20W, 35W	111/4.37	78/3.07	32/1.26	102/4.01
CH4U	HID 20W, 35W	158/6.22	44/1.73	31/1.22	143/5.87
CH5U	HID 20W, 35W	132/5.20	44/1.73	31/1.22	<b>No Mounting Flange</b>
CH2U	HID 2x35W, 50-100W	138/5.43	91/3.58	32/1.26	128/5.04
CH6U	HID 2x35W, 50-70W	122/4.80	91/3.58	32/1.26	<b>No Mounting Flange</b>
CH3U	HID 150W HPS 100W	174/6.85	91/3.58	44/1.73	163/6.41
CH7U	HID 150W HPS 100W	157/6.18	91/3.58	44/1.73	<b>No Mounting Flange</b>
CH8U	HID 70W	186/7.32	46/1.81	32/1.26	<b>No Mounting Flange</b>
CH9U	HID 20W, 35W	96/3.78	78/3.07	32/1.26	<b>No Mounting Flange</b>
CH10U	HID 70W	206/8.11	46/1.81	32/1.26	196/7.72
CH11U	HID 70W	102/4.02	103/4.06	32/1.26	92/3.62
CH12U	HID 70W	84/3.31	103/4.06	32/1.26	<b>No Mounting Flange</b>
CH13U	HID 70W, 100W	122/4.80	91/3.58	40/1.57	<b>No Mounting Flange</b>
CH14U	HID 70W, 100W	138/5.43	91/3.58	40/1.57	128/5.04

25/10/12

# LED Driver Emergency Driver & Fluorescent Ballast Housing Dimensions

Measurements

mm/inches

LED DRIVER SERIES	mA WATTAGE & VOLTAGE	LENGTH	WIDTH	HEIGHT	MOUNTING LENGTH (ML)
CH1U	CC 1050mA 32W	111/4.37	78/3.07	32/1.26	102/4.01
C1U	CC 350-1400mA 50W	133/5.23	63/2.48	30/1.18	123/4.84
C1B	CC 350-1400mA 50W	116/4.56	63/2.48	30/1.18	<b>No Mounting Flange</b>
C2U	CC 350-1050mA 12-24W	127/5.0	63/2.48	30/1.18	111.5/4.39
C2B	Constant Voltage 25W	125/4.92	64/2.51	29/1.14	114/4.49
C2S	Constant Voltage 50W	174/6.8	61/2.4	31/1.23	158/6.23
C3B	Constant Voltage/Current 25-40W	135/5.3	73/2.87	30/1.18	<b>No Mounting Flange</b>
C3	Constant Voltage 100W	196/7.7	6.15/2.42	39/1.54	184/7.3
C4S	Multi Current 24W-50W	165/6.5	73/2.87	30/1.18	149/5.9
C6U	CC 700mA 75W	198/7.8	79/3.11	35/1.38	186/7.32
C7HL	2100-2800mA 70-75W	178/7.0	76/3.0	37/1.46	172.8/6.8
C9U	CV 12V IP67 IP68 60W	171/6.73	68/2.68	40.5/1.6	1528/6.22
C10	CC IP67 13W	130/5.12	68/2.68	40.5/1.6	117/4.6
CH2U	Multi Current 1700mA 46W	138/5.43	91/3.58	32/1.26	128/5.04
CH3U	Prog 98W	174/6.85	91/3.58	44/1.73	163/6.41
CH4U	CC 1150mA 23W	158/6.22	44/1.73	31/1.22	149/5.9
CH9U	CC 900mA 18W	96/3.78	78/3.07	32/1.26	<b>No Mounting Flange</b>
CH14U	Constant Current 100W	138/5.43	91/3.58	40/1.57	128/5.04
CN1S	Constant Current	99/3.9	52/2.05	30/1.18	91/3.58
CM	120-347V	206/8.11	87/3.43	34.5/1.36	45/1.77
D2	CC 350-1050mA 5W-20W	107/4.21	36/1.42	29/1.14	99/3.9
D3	CC 350-1050mA 12WS 120V	136/5.35	34/1.34	25/0.98	131/5.16

24/11/19

# LED Driver Emergency Driver & Fluorescent Ballast Housing Dimensions

Measurements

mm/inches

LED DRIVER SERIES	mA WATTAGE & VOLTAGE	LENGTH	WIDTH	HEIGHT	MOUNTING LENGTH (ML)
F1	Constant Voltage 150W	241/9.5	78/3.08	46/1.82	226/8.9
FS	Constant Voltage/Current 60W-100W	241/9.5	59/2.3	41/1.6	226/8.9
FS3	Constant Voltage/Current 72W-100W	241/9.5	61/2.4	37/1.46	226/8.9
FS4	Constant Voltage/Current 100-150W	240/9.5	61/2.4	40.8/1.6	223.5/8.8
FS5	Constant Voltage/Current 100-150W	241/9.5	66/2.6	40.5/1.6	226/8.9
FS6	Constant Current 144W	241/9.5	95/3.75	41/1.6	226/8.9
FS7	Constant Current 160W	241/9.5	95/3.75	45/1.77	226/8.9
FS8	IP67	241/9.5	61.5/2.42	39/1.54	226/8.9
FS9	Constant Current >150W	241/9.5	68/2.68	40.5/1.6	226/8.9
MC1	Constant Current 24W	241/9.5	32/1.26	29.5/1.16	226/8.9
MU2	LED Driver	241/9.5	43/1.7	29.5/1.2	226/8.9
L1	Constant Current	261/10.28	61/2.4	37/1.46	246/9.69
L6U	Constant Current	297/11.7	60/2.36	48/1.89	282/11.1
P1	TRIAC DIM CC 350-500mA	98/3.86	37/1.46	27/1.06	94/3.7
P2	TRIAC DIM CC 700mA	110/4.33	45/1.77	28/1.1	104/4.1

7/11/23

## LED Driver Emergency Driver & Fluorescent Ballast Housing Dimensions

Measurements

mm/inches

LED DRIVER SERIES	mA WATTAGE & VOLTAGE	LENGTH	WIDTH	HEIGHT	MOUNTING LENGTH (ML)
E3/E3L	Constant Current	325/12.8	34/1.34	29/1.14	317/12.48
E4L	Constant Current	450/17.72	43/1.7	29/1.14	438/17.24
E10/E10L	Constant Current	420/16.5	30.5/1.2	30/1.18	413/16.25
E13	Constant Current	314/12.36	34/1.34	27.5/1.08	301/11.85
E14	Constant Current	395/15.55	38/1.49	27.5/1.08	387/15.2
E15 Leads	Constant Current 40W	325/12.8	34/1.34	27/1.06	317/12.48
E17	Constant Current 40W	314/12.36	33/1.3	27/1.06	300/11.81
E18	Constant Current 54W	303/11.90	30/1.18	22/0.87	293/11.50

## LED Emergency Battery Pack Housing Dimensions

Measurements

mm/inches

LED DRIVER SERIES	mA WATTAGE & VOLTAGE	LENGTH	WIDTH	HEIGHT	MOUNTING LENGTH (ML)
B1	Emergency LED Driver	85/3.35	62/2.4	30/1.18	96.5/3.08
B2	Emergency LED Driver	103.5/4.07	72/2.8	35/1.8	78/3.07
C1U	Emergency LED Driver	133/5.23	63/2.48	30/1.18	123/4.84
FS3	Emergency LED Driver	241/9.5	61/2.4	37/1.46	226/8.9
MUL	Emergency LED Driver	241/9.5	43/1.7	30/1.2	226/8.9
E10L	Emergency LED Driver	420/16.5	30.5/1.2	30/1.18	413/16.25
E14L	Emergency LED Driver	395/15.55	38/1.49	29/1.14	387/15.23
EM	Emergency LED Driver	338/13.3	62/2.44	38/1.49	325/12.79
EM1	Emergency LED Driver	304/11.97	43/1.7	29/1.14	289/11.38
EM2	Emergency LED Driver	314/12.36	57/2.24	52/2.05	305/11.38
EM3	Emergency LED Driver	390/15.35	57/2.24	33/1.3	382/15.04
EM4	Emergency LED Driver	421.6/16.60	30/1.18	25.4/1.0	414/16.30
EM5	Emergency LED Driver	525.6/20.67	57/2.24	52.4/2.05	515/20.28

9/12/23



# PROGRAMMABLE LED DRIVERS INDEX

Fixed Current - Programmable 0 - 10V Dimming **1-100%**

Feb-24

R21

INPUT VOLTAGE	OUTPUT VOLTAGE	OUTPUT CIRCUIT	OUTPUT WATTS	OUTPUT CURRENT mA	SAGE Model Number	CASE SERIES	CASE SIZE Inches			CASE SIZE mm			
							L	W	H	L	W	H	ML
100 to 277	15 to 55V	Single	40	400 to 1400	PJ1400C40WSD	E10	16.50	1.20	1.18	420	30.5	30	417
100 to 277	15 to 55V	Single	50	400 to 1400	PJ1400C50WSD	E10	16.50	1.20	1.18	420	30.5	30	417
100 to 277	27 to 55V	Single	60	700 to 1400	PJ1400C60WSD	E10	16.50	1.20	1.18	420	30.5	30	417
100 to 277	15 to 55V	Single	40	400 to 1400	PJ1400C40WSDL	E10L	16.50	1.20	1.18	420	30.5	30	417
100 to 277	15 to 55V	Single	50	400 to 1400	PJ1400C50WSDL	E10L	16.50	1.20	1.18	420	30.5	30	417
100 to 277	27 to 55V	Single	60	700 to 1400	PJ1400C60WSDL	E10L	16.50	1.20	1.18	420	30.5	30	417
347	15 to 55V	Single	15	100 to 700	PC700C15WSBD1	C1B	4.56	2.48	1.18	116	63	30	
347	15 to 55V	Single	15	100 to 700	PC700C15WSD1	C1U	5.23	2.48	1.18	133	63	30	123
347	15 to 55V	Single	30	350 to 1250	PC1250C30WSB-D1	C1B	4.56	2.48	1.18	116	63	30	
347	15 to 55V	Single	30	350 to 1250	PC1250C30WS-D1	C1U	5.23	2.48	1.18	133	63	30	123
347	15 to 55V	Single	30	350 to 1250	PC1250C30WSD1-E13	E13	12.36	1.34	1.08	314	34	27.5	301
347	15 to 55V	Single	40	400 to 1400	PC1400C40WSD1-E13	E13	12.36	1.34	1.08	314	34	27.5	301
347	15 to 55V	Single	50	400 to 1400	PC1400C50WSD1-E13	E13	12.36	1.34	1.08	314	34	27.5	301
347	15 to 55V	Single	50	400 to 1400	PC1400C50WSB-D1	C1B	4.56	2.48	1.18	116	63	30	
347	15 to 55V	Single	50	400 to 1400	PC1400C50WS-D1	C1U	5.23	2.48	1.18	133	63	30	123
347	15 to 55V	Single	50	400 to 1400	PC1400C50WD1F	C1U	5.23	2.48	1.18	133	63	30	123
347	27 to 55V	Single	60	700 to 1400	PC1400C60WS-D1	E13	12.36	1.34	1.08	314	34	27.5	301
347	27 to 55V	Single	60	700 to 1400	PC1400C60WRS1	MU2	9.50	1.70	1.20	241	43.0	29.5	226
120 to 277	15 to 55V	Single	15	100 to 700	PU700C15WSBD1	C1B	4.56	2.48	1.18	116	63	30	
120 to 277	15 to 55V	Single	15	100 to 700	PU700C15WSD1	C1U	5.23	2.48	1.18	133	63	30	123
120 to 277	15 to 55V	Single	30	350 to 1250	PU1250C30WSB-D1	C1B	4.56	2.48	1.18	116	63	30	
120 to 277	15 to 55V	Single	30	350 to 1250	PU1250C30WS-D1	C1U	5.23	2.48	1.18	133	63	30	123
120 to 277	15 to 55V	Single	30	350 to 1250	PU1250C30WSD1-E3L	E3L	12.80	1.34	1.14	325	34	29	317
120 to 277	15 to 55V	Single	30	350 to 1250	PU1250C30WSD1-E13	E13	12.36	1.34	1.08	314	34	27.5	301
120 to 277	15 to 55V	Single	40	400 to 1400	PU1400C40WSD1-E13	E13	12.36	1.34	1.08	314	34	27.5	301
120 to 277	15 to 55V	Single	50	400 to 1400	PU1400C50WSD1-E13	E13	12.36	1.34	1.08	314	34	27.5	301
120 to 277	15 to 55V	Single	50	400 to 1400	PU1400C50WSB-D1	C1B	4.56	2.48	1.18	116	63	30	
120 to 277	15 to 55V	Single	50	400 to 1400	PU1400C50WS-D1	C1U	5.23	2.48	1.18	133	63	30	123
120 to 277	15 to 55V	Single	50	400 to 1400	PU1400C50WD1F	C1U	5.23	2.48	1.18	133	63	30	123
120 to 277	15 to 55V	Single	50	400 to 1400	PU1400C50WSDEOS-E3	E3L	12.80	1.34	1.14	325	34	29	317
120 to 277	27 to 55V	Single	60	700 to 1400	PU1400C60WRS1	MU2	9.50	1.70	1.20	241	43.0	29.5	226
120 to 277	27 to 55V	Single	60	700 to 1400	PU1400C60WS-D1	E13	12.36	1.34	1.08	314	34	27.5	301
120 to 277	27 to 47V	Single	98	700 to 2100	PU2100C98WRD	FS3	9.50	2.40	1.46	241	61	37	226

# PROGRAMMABLE LED DRIVERS INDEX

## Fixed Current - Programmable 0 - 10V Dimming 5-100%

Sep-23

R10

INPUT VOLTAGE	OUTPUT VOLTAGE	OUTPUT CIRCUIT	OUTPUT WATTS	OUTPUT CURRENT mA	SAGE Model Number	CASE SERIES	CASE SIZE Inches			CASE SIZE mm			
							L	W	H	L	W	H	ML
347	27 to 55V	Single	80	1050 to 2100	PC2100C80WS-D5	E14	15.50	1.49	1.08	395	38	27.50	387
347	27 to 55V	Single	80	1050 to 2100	PC2100C80WRBD5	FS3	9.50	2.40	1.46	241	61	37	226
347	27 to 55V	Single	80	1050 to 2100	PC2100C80WRSD5	FS3	9.50	2.40	1.46	241	61	37	226
347	27 to 55V	Single	98	1400 to 2750	PC2750C98WRBD5	FS3	9.50	2.40	1.46	241	61	37	226
347	27 to 55V	Single	98	1400 to 2750	PC2750C98WS-D5	E14	15.50	1.49	1.08	395	38	27.50	387
120 to 277	27 to 55V	Single	80	1050 to 2100	PU2100C80WRBD5	FS3	9.50	2.40	1.46	241	61	37	226
120 to 277	27 to 55V	Single	80	1050 to 2100	PU2100C80WRSD5	FS3	9.50	2.40	1.46	241	61	37	226
120 to 277	27 to 55V	Single	80	1050 to 2100	PU2100C80WS-D5	E14	15.50	1.49	1.08	395	38	27.50	387
120 to 277	27 to 55V	Single	98	1400 to 2750	PU2750C98WSDC3	CH3U	6.85	3.58	1.73	174	91	44	166
120 to 277	27 to 55V	Single	98	1400 to 2750	PU2750C98WRD5	FS3	9.50	2.40	1.46	241	61	37	226
120 to 277	27 to 55V	Single	98	1400 to 2750	PU2750C98WRBD5	FS3	9.50	2.40	1.46	241	61	37	226
120 to 277	27 to 55V	Single	98	1400 to 2750	PU2750C98WS-D5	E14	15.50	1.49	1.08	395	38	27.50	387

## Fixed Current - Programmable 0 - 10V Dimming 10-100%

Jul-22

R21

INPUT VOLTAGE	OUTPUT VOLTAGE	OUTPUT CIRCUIT	OUTPUT WATTS	OUTPUT CURRENT mA	SAGE Model Number	CASE SERIES	CASE SIZE Inches			CASE SIZE mm			
							L	W	H	L	W	H	ML
347	15 to 55V	Single	15	100 to 700	PC700C15WSBDIM	C1B	4.56	2.48	1.18	116	63	30	
347	15 to 55V	Single	30	350 to 1250	PC1250C30WSBDIM	C1B	4.56	2.48	1.18	116	63	30	
347	15 to 55V	Single	30	350 to 1250	PC1250C30WSDIM	C1U	5.23	2.48	1.18	133	63	30	123
347	15 to 55V	Single	50	400 to 1400	PC1400C50WSDIM	C1U	5.23	2.48	1.18	133	63	30	123
347	27 to 55V	Single	60	700 to 1400	PC1400C60WSDIM	E13	12.36	1.34	1.08	314	34	27.5	301
347	27 to 55V	Single	80	1050 to 2100	PC2100C80WSDIM	E14	15.50	1.49	1.08	395	38	27.50	387
347	27 to 55V	Single	98	1400 to 2750	PC2750C98WSDIM	E14	15.50	1.49	1.08	395	38	27.50	387
120 to 277	15 to 55V	Single	15	100 to 700	PU700C15WSBDIM	C1B	4.56	2.48	1.18	116	63	30	
120 to 277	15 to 55V	Single	30	350 to 1250	PU1250C30WSDIM	C1U	5.23	2.48	1.18	133	63	30	123
120 to 277	15 to 55V	Single	30	350 to 1250	PU1250C30WSDIM-E13	E13	12.36	1.34	1.08	314	34	27.5	301
120 to 277	15 to 55V	Single	40	400 to 1400	PU1400C40WSDIM-E13	E13	12.36	1.34	1.08	314	34	27.5	301
120 to 277	15 to 55V	Single	50	400 to 1400	PU1400C50WSBDIM	C1B	4.56	2.48	1.18	116	63	30	
120 to 277	27 to 55V	Single	60	700 to 1400	PU1400C60WSDIM	E13	12.36	1.34	1.08	314	34	27.5	301
120 to 277	27 to 55V	Single	80	1050 to 2100	PU2100C80WSDIM	E14	15.50	1.49	1.08	395	38	27.50	387
120 to 277	27 to 55V	Single	98	1400 to 2750	PU2750C98WSDIM	E14	15.50	1.49	1.08	395	38	27.50	387
120 to 277	62 to 122V	Single	110	600 to 1200	PU1200C110WSD	CH3U	6.85	3.58	1.73	174	91	44	166



## SPECIALTY LED DRIVERS INDEX

### Fixed Current 0 - 10V Dimming Multi Voltage 120-347V

Nov-23

R12

INPUT VOLTAGE	OUTPUT VOLTAGE	OUTPUT CIRCUIT	OUTPUT WATTS	OUTPUT CURRENT mA	SAGE Model Number	CASE SERIES	CASE SIZE Inches			CASE SIZE mm			
							L	W	H	L	W	H	ML
120 to 347	24 to 40V	Single	60	1500	NM1500C60WRSD	MU2	9.50	1.70	1.20	241	43.0	29.5	226
120 to 347	25 to 42V	Single	60	1500	MC1500C60DL	CM	8.11	3.43	1.36	206	87	34.5	45

### Constant Voltage 0 - 10V Dimming Circular Open Frame 120-277V

Sep-23

R1

INPUT VOLTAGE	OUTPUT VOLTAGE	OUTPUT CIRCUIT	OUTPUT WATTS	OUTPUT CURRENT mA	SAGE Model Number	CASE SERIES	CASE SIZE Inches			CASE SIZE mm			
							L	W	H	L	W	H	ML
120 to 277	36V	Single	60	1.66A	OU36V60WSD	OP5D	5.20		2.83	132		72	
120 to 277	36V	Single	100	2.77A	OU36V100WSD	OP5D	5.20		2.83	132		72	
120 to 277	36V	Single	160	4.44A	OU36V160WSD	OP6D	5.90		2.83	150		72	
120 to 277	36V	Single	240	6.66A	OU36V240WSD	OP7D	7.16		2.83	182		72	

### Constant Voltage Non Dimming Circular Open Frame 120-277V

INPUT VOLTAGE	OUTPUT VOLTAGE	OUTPUT CIRCUIT	OUTPUT WATTS	OUTPUT CURRENT mA	SAGE Model Number	CASE SERIES	CASE SIZE Inches			CASE SIZE mm			
							L	W	H	L	W	H	ML
120 to 277	36V	Single	60	1.66A	OU36V60WS	OP2D	4.37		1.38	111		35	
120 to 277	36V	Single	100	2.77A	OU36V100WS	OP2D	4.37		1.38	111		35	
120 to 277	36V	Single	160	4.44A	OU36V160WS	OP3D	5.20		1.38	132		35	
120 to 277	36V	Single	240	6.66A	OU36V240WS	OP4D	5.90		1.38	150		35	

### FIXED Current 0 - 10V Dimming Circular Open Frame 120-277V

INPUT VOLTAGE	OUTPUT VOLTAGE	OUTPUT CIRCUIT	OUTPUT WATTS	OUTPUT CURRENT mA	SAGE Model Number	CASE SERIES	CASE SIZE Inches			CASE SIZE mm			
							L	W	H	L	W	H	ML
120 to 277	22 to 36V	Single	60	1670	OU1670C60WSD	OP2D	4.37		1.38	111		35	
120 to 277	22 to 36V	Single	100	2780	OU2780C100WSD	OP2D	4.37		1.38	111		35	
120 to 277	22 to 36V	Single	160	4500	OU4500C160WSD	OP3D	5.20		1.38	132		35	
120 to 277	22 to 36V	Single	240	6670	OU6670C240WSD	OP4D	5.90		1.38	150		35	

### FIXED Current 0 - 10V Dimming Surge 2-6KV 120-277V

INPUT VOLTAGE	OUTPUT VOLTAGE	OUTPUT CIRCUIT	OUTPUT WATTS	OUTPUT CURRENT mA	SAGE Model Number	CASE SERIES	CASE SIZE Inches			CASE SIZE mm			
							L	W	H	L	W	H	ML
120 to 277	70 to 114V	Single	120	1050	NU1050C120WS	FS4	9.50	2.40	1.57	241	61	40	226
120 to 277	70 to 114V	Single	120	1050	NU1050C120WSD	FS4	9.50	2.40	1.60	240	61	40.8	226
120 to 277	114 to 190V	Single	200	1050	NU1050C200WS	FS5	9.50	2.60	1.60	241	66	40.5	226
120 to 277	114 to 190V	Single	200	1050	NU1050C200WSD	FS5	9.50	2.60	1.60	241	66	40.5	226

## SPECIALTY LED DRIVERS INDEX

### Fixed Current 0 - 10V Dimming IP67 347V

Aug-23

R33

INPUT VOLTAGE	OUTPUT VOLTAGE	OUTPUT CIRCUIT	OUTPUT WATTS	OUTPUT CURRENT mA	SAGE Model Number	CASE SERIES	CASE SIZE Inches			CASE SIZE mm			
							L	W	H	L	W	H	ML
347	172 to 286V	Single	100	350	NC350C100WSD-IP67	FS8	9.50	2.42	1.54	241	61.5	39	226
347	35 to 60V	Single	42	700	NC700C42WSD-IP67	FS8	9.50	2.42	1.54	241	61.5	39	226
347	34 to 57V	Single	57	1000	NC1000C57WSD-IP67	FS8	9.50	2.42	1.54	241	61.5	39	226
347	22 to 36V	Single	40	1100	NC1100C40WSD-IP67	FS8	9.50	2.42	1.54	241	61.5	39	226
347	25 to 42V	Single	52	1240	NC1240C52WSD-IP67	FS8	9.50	2.42	1.54	241	61.5	39	226
347	24 to 40V	Single	84	2100	NC2100C84WSD-IP67	FS8	9.50	2.42	1.54	241	61.5	39	226
347	32 to 54V	Single	150	2800	NC2800C150WSD-IP67	FS9	9.50	2.68	1.60	241	68	40.5	226
347	22 to 36V	Single	150	4200	NC4200C150WSD-IP67	FS9	9.50	2.68	1.60	241	68	40.5	226

### Fixed Current 0 - 10V Dimming IP67 120-277V

INPUT VOLTAGE	OUTPUT VOLTAGE	OUTPUT CIRCUIT	OUTPUT WATTS	OUTPUT CURRENT mA	SAGE Model Number	CASE SERIES	CASE SIZE Inches			CASE SIZE mm			
							L	W	H	L	W	H	ML
120 to 277	25 to 42V	Single	13	310	NU310C13WSD-IP67	C10	5.12	2.68	1.60	130	68	40.5	117
120 to 277	14 to 24V	Single	8	350	NU350C8WSD-IP67	C10	5.12	2.68	1.60	130	68	40.5	117
120 to 277	170 to 285V	Single	100	350	NU350C100WSD-IP67	FS8	9.50	2.42	1.54	241	61.5	39	226
120 to 277	54 to 90	Single	48	530	NU530C48WSD-IP67	C9U	6.73	2.68	1.60	171	68	40.5	158
120 to 277	26 to 42V	Single	25	600	NU600C25WSD-IP67	C10	5.12	2.68	1.60	130	68	40.5	117
120 to 277	27 to 45V	Single	30	650	NU650C30WSD-IP67	C10	5.12	2.68	1.60	130	68	40.5	117
120 to 277	22 to 36V	Single	25	700	NU700C25WSD-IP67	C10	5.12	2.68	1.60	130	68	40.5	117
120 to 277	36 to 60V	Single	42	700	NU700C42WSD-IP67	FS8	9.50	2.42	1.54	241	61.5	39	226
120 to 277	43 to 71V	Single	50	700	NU700C50WSD-IP67	FS8	9.50	2.42	1.54	241	61.5	39	226
120 to 277	85 to 143V	Single	100	700	NU700C100WSD-IP67	FS8	9.50	2.42	1.54	241	61.5	39	226
120 to 277	103 to 171V	Single	120	700	NU700C120WSD-IP67	FS9	9.50	2.68	1.60	241	68	40.5	226
120 to 277	128 to 214V	Single	150	700	NU700C150WSD-IP67	FS9	9.50	2.68	1.60	241	68	40.5	226
120 to 277	72 to 120V	Single	114	950	NU950C114WSD-IP67	FS9	9.50	2.68	1.60	241	68	40.5	226
120 to 277	35 to 57V	Single	57	1000	NU1000C57WSD-IP67	FS8	9.50	2.42	1.54	241	61.5	39	226
120 to 277	22 to 36V	Single	43	1200	NU1200C43WSD-IP67	FS8	9.50	2.42	1.54	241	61.5	39	226
120 to 277	34 to 56V	Single	67	1200	NU1200C67WSD-IP67	FS8	9.50	2.42	1.54	241	61.5	39	226
120 to 277	25 to 42V	Single	52	1240	NU1240C52WSD-IP67	FS8	9.50	2.42	1.54	241	61.5	39	226
120 to 277	22 to 37V	Single	52	1400	NU1400C52WSD-IP67	C9U	6.73	2.68	1.60	171	68	40.5	158
120 to 277	64 to 107V	Single	150	1400	NU1400C150WSD-IP67	FS9	9.50	2.68	1.60	241	68	40.5	226
120 to 277	22 to 36V	Single	54	1500	NU1500C54WSD-IP67	FS8	9.50	2.42	1.54	241	61.5	39	226
120 to 277	24 to 40V	Single	60	1500	NU1500C60WSD-IP67	FS8	9.50	2.42	1.54	241	61.5	39	226
120 to 277	29 to 48V	Single	84	1750	NU1750C84WSD-IP67	FS8	9.50	2.42	1.54	241	61.5	39	226
120 to 277	33 to 55V	Single	96	1750	NU1750C96WSD-IP67	FS8	9.50	2.42	1.54	241	61.5	39	226
120 to 277	50 to 84V	Single	150	1750	NU1750C150WSD-IP67	FS9	9.50	2.68	1.60	241	68	40.5	226
120 to 277	24 to 40V	Single	72	1800	NU1800C72WSD-IP67	FS8	9.50	2.42	1.54	241	61.5	39	226
120 to 277	30 to 50V	Single	90	1800	NU1800C90WSD-IP67	FS9	9.50	2.68	1.60	241	68	40.5	226
120 to 277	32 to 54V	Single	100	1800	NU1800C100WSD-IP67	FS9	9.50	2.68	1.60	241	68	40.5	226
120 to 277	12 to 20V	Single	40	2000	NU2000C40WSD-IP67	FS9	9.50	2.68	1.60	241	68	40.5	226
120 to 277	26 to 42V	Single	84	2000	NU2000C84WSD-IP67	FS8	9.50	2.42	1.54	241	61.5	39	226
120 to 277	26 to 43V	Single	86	2000	NU2000C86WSD-IP67	FS8	9.50	2.42	1.54	241	61.5	39	226
120 to 277	24 to 40V	Single	84	2100	NU2100C84WSD-IP67	FS8	9.50	2.42	1.54	241	61.5	39	226
120 to 277	34 to 57V	Single	120	2100	NU2100C120WSD-IP67	FS9	9.50	2.68	1.60	241	68	40.5	226
120 to 277	16 to 27V	Single	75	2800	NU2800C75WSD-IP67	FS8	9.50	2.42	1.54	241	61.5	39	226
120 to 277	32 to 54V	Single	150	2800	NU2800C150WSD-IP67	FS9	9.50	2.68	1.60	241	68	40.5	226
120 to 277	21 to 36V	Single	122	3400	NU3400C122WSD-IP67	FS9	9.50	2.68	1.60	241	68	40.5	226
120 to 277	26 to 43V	Single	150	3500	NU3500C150WSD-IP67	FS9	9.50	2.68	1.60	241	68	40.5	226
120 to 277	17 to 28V	Single	120	4200	NU4200C120WSD-IP67	FS9	9.50	2.68	1.60	241	68	40.5	226
120 to 277	22 to 36V	Single	150	4200	NU4200C150WSD-IP67	FS9	9.50	2.68	1.60	241	68	40.5	226
120 to 277	14 to 24V	Single	120	5000	NU5000C120WSD-IP67	FS8	9.50	2.42	1.54	241	61.5	39	226
120 to 277	18 to 30V	Single	150	5000	NU5000C150WSD-IP67	FS9	9.50	2.68	1.60	241	68	40.5	226

### Fixed Current Non Dimming IP67 120-277V

INPUT VOLTAGE	OUTPUT VOLTAGE	OUTPUT CIRCUIT	OUTPUT WATTS	OUTPUT CURRENT mA	SAGE Model Number	CASE SERIES	CASE SIZE Inches			CASE SIZE mm			
							L	W	H	L	W	H	ML
120 to 277	24 to 40V	Single	44	1100	NU1100C44WS-IP67	C9U	6.73	2.68	1.60	171	68	40.5	158
120 to 277	22 to 36V	Single	54	1500	NU1500C54WS-IP67	C9U	6.73	2.68	1.60	171	68	40.5	158
120 to 277	25 to 42V	Single	63	1500	NU1500C63WS-IP67	C9U	6.73	2.68	1.60	171	68	40.5	158

## SPECIALTY LED DRIVERS INDEX

### Constant Voltage 0 - 10V Dimming **IP67 347V**

Dec-23

R3

INPUT VOLTAGE	OUTPUT VOLTAGE	OUTPUT CIRCUIT	OUTPUT WATTS	OUTPUT CURRENT mA	SAGE Model Number	CASE SERIES	CASE SIZE Inches			CASE SIZE mm			
							L	W	H	L	W	H	ML
347	12V	Single	60	5A	NC12V60WSD-IP67	FS8	9.50	2.42	1.54	241	61.5	39	226
347	12V	Single	100	8A	NC12V100WSD-IP67	FS8	9.50	2.42	1.54	241	61.5	39	226
347	24V	Single	60	2.5A	NC24V60WSD-IP67	FS8	9.50	2.42	1.54	241	61.5	39	226
347	24V	Single	100	4.1A	NC24V100WSD-IP67	FS8	9.50	2.42	1.54	241	61.5	39	226
347	36V	Single	60	1.66A	NC36V60WSD-IP67	FS8	9.50	2.42	1.54	241	61.5	39	226

### Constant Voltage Non Dimming **IP67 347V**

INPUT VOLTAGE	OUTPUT VOLTAGE	OUTPUT CIRCUIT	OUTPUT WATTS	OUTPUT CURRENT mA	SAGE Model Number	CASE SERIES	CASE SIZE Inches			CASE SIZE mm			
							L	W	H	L	W	H	ML
347	24V	Single	100	4.1A	NC24V100WS-IP67	FS8	9.50	2.42	1.54	241	61.5	39	226

### Constant Voltage 0 - 10V Dimming **IP67 120-277V**

INPUT VOLTAGE	OUTPUT VOLTAGE	OUTPUT CIRCUIT	OUTPUT WATTS	OUTPUT CURRENT mA	SAGE Model Number	CASE SERIES	CASE SIZE Inches			CASE SIZE mm			
							L	W	H	L	W	H	ML
120 to 277	12V	Single	60	5A	NU12V60WSD67C9	C9U	6.73	2.68	1.60	171	68	40.5	158
120 to 277	12V	Single	100	8A	NU12V100WSD-IP67	FS8	9.50	2.42	1.54	241	61.5	39	226
120 to 277	12V	Single	150	12.5	NU12V150WSD-IP67	F1	9.50	3.08	1.82	241	78.0	46.0	226
120 to 277	24V	Single	60	2.5A	NU24V60WSD-IP67	FS8	9.50	2.42	1.54	241	61.5	39	226
120 to 277	24V	Single	100	4.1A	NU24V100WSD-IP67	FS8	9.50	2.42	1.54	241	61.5	39	226
120 to 277	24V	Single	120	5A	NU24V120WSD-IP67	FS8	9.50	2.42	1.54	241	61.5	39	226
120 to 277	36V	Single	60	1.66A	NU36V60WSD-IP67	FS8	9.50	2.42	1.54	241	61.5	39	226
120 to 277	36V	Single	150	4.16A	NU36V150WSD-IP67	FS9	9.50	2.68	1.60	241	68.0	40.5	226

### Constant Voltage Non Dimming **IP67 120-277V**

INPUT VOLTAGE	OUTPUT VOLTAGE	OUTPUT CIRCUIT	OUTPUT WATTS	OUTPUT CURRENT mA	SAGE Model Number	CASE SERIES	CASE SIZE Inches			CASE SIZE mm			
							L	W	H	L	W	H	ML
120 to 277	12V	Single	60	5A	NU12V60WS-IP67	FS8	9.50	2.42	1.54	241	61.5	39	226
120 to 277	12V	Single	100	0.8-8A	NU12V100WS-IP67	FS8	9.50	2.42	1.54	241	61.5	39	226
120 to 277	24V	Single	100	4.1A	NU24V100WS-IP67	FS8	9.50	2.42	1.54	241	61.5	39	226
120 to 277	24V	Single	150	6.25A	NU24V150WS-IP67	FS9	9.50	2.68	1.60	241	68	40.5	226
120 to 277	36V	Single	60	1.66A	NU36V60WS-IP67	C9U	6.73	2.68	1.60	171	68	40.5	158
120 to 277	36V	Single	100	2.7A	NU36V100WS-IP67	FS8	9.50	2.42	1.54	241	61.5	39	226

# SPECIALTY LED DRIVERS INDEX

Jan-24 R26

## Constant Power Emergency Cold Temp LED Driver with Remote Battery 120-347V IP67 Rated Test Switch

BATTERY VOLTAGE	OUTPUT VOLTAGE	Emergency Operating HRS	OUTPUT WATTS	Max Battery Charge Time	SAGE Model Number	CASE SERIES	CASE SIZE Inches			CASE SIZE mm			
							L	W	H	L	W	H	ML
7.2	15 to 55V	90 minutes	10	24 Hours	CCEM10W1555B72PX	C1U B1	5.23	2.48	1.18	133	63	30	123

## Constant Power Emergency Cold Temp LED Driver Multi Voltage 120-347V IP67 Rated Test Switch

BATTERY VOLTAGE	OUTPUT VOLTAGE	Emergency Operating HRS	OUTPUT WATTS	Max Battery Charge Time	SAGE Model Number	CASE SERIES	CASE SIZE Inches			CASE SIZE mm			
							L	W	H	L	W	H	ML
7.2	15 to 55V	90 minutes	4	24 Hours	CCEM4W1555B72P	C4S	6.50	2.87	1.18	165	73	30	149
7.2	15 to 55V	90 minutes	10	24 Hours	CCEM10W1555B72P	FS3	9.50	2.40	1.46	241	61	37	226

## Constant Power Emergency Inverter 120-277V

BATTERY VOLTAGE	OUTPUT VOLTAGE AC	Emergency Operating HRS	OUTPUT WATTS	Max Battery Charge Time	SAGE Model Number	CASE SERIES	CASE SIZE Inches			CASE SIZE mm			
							L	W	H	L	W	H	ML
12.8V	120V or 277V	90 minutes	25	24 Hours	IEM25W128P1FT	EM5	20.67	2.24	2.05	525	57	52	515
12.8V	120V or 277V	90 minutes	35	24 Hours	IEM35W128P1FT	EM5	20.67	2.24	2.05	525	57	52	515
12.8V	120V or 277V	90 minutes	50	24 Hours	IEM50W128P1FT	EM5	20.67	2.24	2.05	525	57	52	515

## Constant Power Emergency LED Driver for Type B UL Lamps Multi Voltage 120-277V

BATTERY VOLTAGE	OUTPUT VOLTAGE	Emergency Operating HRS	OUTPUT WATTS	Max Battery Charge Time	SAGE Model Number	CASE SERIES	CASE SIZE Inches			CASE SIZE mm			
							L	W	H	L	W	H	ML
12.8V	40 to 180V	90 minutes	10	24 Hours	BEM10W170128PE14	E14L	15.50	1.49	1.14	395	38	29.00	387
12.8V	40 to 180V	90 minutes	10	24 Hours	BEM10W170128P	EM1	11.97	1.70	1.20	304	43	30.5	289

## Constant Power Emergency LED Driver for Type B UL Lamps with Single Flexible Metal Conduit Multi Voltage 120-277V

BATTERY VOLTAGE	OUTPUT VOLTAGE	Emergency Operating HRS	OUTPUT WATTS	Max Battery Charge Time	SAGE Model Number	CASE SERIES	CASE SIZE Inches			CASE SIZE mm			
							L	W	H	L	W	H	ML
12.8V	40 to 180V	90 minutes	10	24 Hours	BEM10W170128P1FT	EM	13.30	2.44	1.49	338	62	38	325

## Constant Power 2-Hour Emergency LED Driver Multi Voltage 120-347V

BATTERY VOLTAGE	OUTPUT VOLTAGE	Emergency Operating HRS	OUTPUT WATTS	Max Battery Charge Time	SAGE Model Number	CASE SERIES	CASE SIZE Inches			CASE SIZE mm			
							L	W	H	L	W	H	ML
6.4V	15 to 55V	120 minutes	10	24 Hours	CEM10W1555B64P2EM4	EM4	16.60	1.18	1.00	421.6	30.0	25.4	414

## Constant Power Emergency LED Driver for Direct Wire Multi Voltage 120-277V

BATTERY VOLTAGE	OUTPUT VOLTAGE	Emergency Operating HRS	OUTPUT WATTS	Max Battery Charge Time	SAGE Model Number	CASE SERIES	CASE SIZE Inches			CASE SIZE mm			
							L	W	H	L	W	H	ML
12.8V	120 to 180V	90 minutes	10	24 Hours	DEM10W170128P	EM1	11.97	1.70	1.20	304	43	30.5	289
12.8V	120 to 180V	90 minutes	20	24 Hours	DEM20W170128P	EM	13.30	2.44	1.49	338	62	38	325

## Constant Power Emergency LED Driver for Direct Wire with Single 10W / Dual 20W Flexible Metal Conduit Multi Voltage 120-277V

BATTERY VOLTAGE	OUTPUT VOLTAGE	Emergency Operating HRS	OUTPUT WATTS	Max Battery Charge Time	SAGE Model Number	CASE SERIES	CASE SIZE Inches			CASE SIZE mm			
							L	W	H	L	W	H	ML
12.8V	120 to 180V	90 minutes	10	24 Hours	DEM10W170128P1FT	EM1	11.97	1.70	1.20	304	43	30.5	289
12.8V	120 to 180V	90 minutes	20	24 Hours	DEM20W170128PFT	EM	13.30	2.44	1.49	338	62	38	325

# SPECIALTY LED DRIVERS INDEX

Jan-24 R25

## Constant Power Emergency LED Driver with Remote Battery Multi Voltage 120-347V

BATTERY VOLTAGE	OUTPUT VOLTAGE	Emergency Operating HRS	OUTPUT WATTS	Max Battery Charge Time	SAGE Model Number	CASE SERIES	CASE SIZE Inches			CASE SIZE mm			
							L	W	H	L	W	H	ML
6.4V	15 to 55V	90 minutes	10	24 Hours	CEM10W1555B64PX	C1U B1	5.23	2.48	1.18	133	63	30	123
9.6V	15 to 55V	90 minutes	16	24 Hours	CEM16W1555B96PX	C1U B2	5.23	2.48	1.18	133	63	30	123
9.6V	15 to 55V	90 minutes	20	24 Hours	CEM20W1555B96PX	C1U F3	5.23	2.48	1.18	133	63	30	123

## Constant Power Auto Diagnostic Emergency LED Driver 120-277V

BATTERY VOLTAGE	OUTPUT VOLTAGE	Emergency Operating HRS	OUTPUT WATTS	Max Battery Charge Time	SAGE Model Number	CASE SERIES	CASE SIZE Inches			CASE SIZE mm			
							L	W	H	L	W	H	ML
6.4V	15 to 55V	90 minutes	10	24 Hours	SEM10W1555B64PE10	E10L	16.50	1.20	1.18	420	30.5	30	413
6.4V	15 to 55V	90 minutes	10	24 Hours	SEM10W1555B64P	EM1	11.97	1.70	1.20	304	43	30.5	289
9.6V	15 to 55V	90 minutes	14	24 Hours	SEM14W1555B96P	EM1	11.97	1.70	1.20	304	43	30.5	289
9.6V	15 to 55V	90 minutes	20	24 Hours	SEM20W1555B96P	EM3	15.40	2.24	1.30	390	57	33	382

## Constant Power Auto Diagnostic Emergency LED Driver with Flexible Metal Conduit 120-277V

BATTERY VOLTAGE	OUTPUT VOLTAGE	Emergency Operating HRS	OUTPUT WATTS	Max Battery Charge Time	SAGE Model Number	CASE SERIES	CASE SIZE Inches			CASE SIZE mm			
							L	W	H	L	W	H	ML
6.4V	15 to 55V	90 minutes	10	24 Hours	SEM10W1555B64PFT	EM1	11.97	1.70	1.20	304	43	30.5	289
9.6V	15 to 55V	90 minutes	14	24 Hours	SEM14W1555B96PFT	EM1	11.97	1.70	1.20	304	43	30.5	289
9.6V	15 to 55V	90 minutes	20	24 Hours	SEM20W1555B96PFT	EM3	15.40	2.24	1.30	390	57	33	382

## Constant Power Emergency LED Driver Multi Voltage 120-347V

BATTERY VOLTAGE	OUTPUT VOLTAGE	Emergency Operating HRS	OUTPUT WATTS	Max Battery Charge Time	SAGE Model Number	CASE SERIES	CASE SIZE Inches			CASE SIZE mm			
							L	W	H	L	W	H	ML
6.4V	15 to 55V	90 minutes	4	24 Hours	CEM4W1555B64PEM4	EM4	16.60	1.18	1.00	421.6	30.0	25.4	414
6.4V	15 to 55V	90 minutes	6	24 Hours	CEM6W1555B64P	C1U	5.23	2.48	1.18	133	63	30	123
6.4V	15 to 55V	90 minutes	6	24 Hours	CEM6W1555B64PB	C1B	4.56	2.48	1.18	116	63	30	
6.4V	15 to 55V	90 minutes	10	24 Hours	CEM10W1555B64PEM4	EM4	16.60	1.18	1.00	421.6	30.0	25.4	414
6.4V	15 to 55V	90 minutes	10	24 Hours	CEM10W1555B64P	MU2	9.50	1.70	1.20	241	43.0	29.5	226
12.8V	15 to 55V	90 minutes	14	24 Hours	CEM14W1555B64PEM4	EM4	16.60	1.18	1.00	421.6	30.0	25.4	414
9.6V	15 to 55V	90 minutes	20	24 Hours	CEM20W1555B96P	EM	13.30	2.44	1.49	338	62	38	325

## Constant Power Emergency LED Driver with Flexible Metal Conduit Multi Voltage 120-347V

BATTERY VOLTAGE	OUTPUT VOLTAGE	Emergency Operating HRS	OUTPUT WATTS	Max Battery Charge Time	SAGE Model Number	CASE SERIES	CASE SIZE Inches			CASE SIZE mm			
							L	W	H	L	W	H	ML
6.4V	15 to 55V	90 minutes	10	24 Hours	CEM10W1555B64PFT	MU2	9.50	1.70	1.20	241	43.0	29.5	226
9.6V	15 to 55V	90 minutes	14	24 Hours	CEM14W1555B96PFT	EM1	11.97	1.70	1.20	304	43	30.5	289
9.6V	15 to 55V	90 minutes	20	24 Hours	CEM20W1555B96PFT	EM	13.30	2.44	1.49	338	62	38	325

## Constant Power Emergency LED Driver with Single Exit Flexible Metal Conduit Multi Voltage 120-3

BATTERY VOLTAGE	OUTPUT VOLTAGE	Emergency Operating HRS	OUTPUT WATTS	Max Battery Charge Time	SAGE Model Number	CASE SERIES	CASE SIZE Inches			CASE SIZE mm			
							L	W	H	L	W	H	ML
6.4V	15 to 55V	90 minutes	10	24 Hours	CEM10W1555B64P1FT	MU2	9.50	1.70	1.20	241	43.0	29.5	226

# SPECIALTY LED DRIVERS INDEX

Sep-23 R18

## Constant Power Emergency LED Driver 347-480V

BATTERY VOLTAGE	OUTPUT VOLTAGE	Emergency Operating HRS	OUTPUT WATTS	Max Battery Charge Time	SAGE Model Number	CASE SERIES	CASE SIZE Inches			CASE SIZE mm			
							L	W	H	L	W	H	ML
6.4V	15 to 55V	90 minutes	10	24 Hours	4EM10W1555B64P	MU2	9.50	1.70	1.20	241	43.0	29.5	226
9.6V	15 to 55V	90 minutes	20	24 Hours	4EM20W1555B96P	EM	13.30	2.44	1.49	338	62	38	325
9.6V	15 to 55V	90 minutes	25	24 Hours	4EM25W1555B96P	EM	13.30	2.44	1.49	338	62	38	325

## Fixed Current - Programmable Emergency LED Driver Kit 0 - 10V Dimming 1-100% 120-277V

INPUT VOLTAGE	OUTPUT VOLTAGE	Emergency Operating HRS	OUTPUT WATTS	OUTPUT CURRENT mA	SAGE Model Number	CASE SERIES	CASE SIZE Inches			CASE SIZE mm			
							L	W	H	L	W	H	ML
120 to 277	15 to 55V	90 minutes	50	400-1400	PEM1400C50WSD64E4	E4L	17.72	1.69	1.14	450	43	29	438

## Fixed Current 0 - 10V Dimming Emergency LED Driver Kit 120-277V

INPUT VOLTAGE	OUTPUT VOLTAGE	Emergency Operating HRS	OUTPUT WATTS	OUTPUT CURRENT mA	SAGE Model Number	CASE SERIES	CASE SIZE Inches			CASE SIZE mm			
							L	W	H	L	W	H	ML
120 to 277	22 to 38V	90 minutes	40	1050	ENU1050C40WSD64	L1	10.28	2.40	1.46	261	61	37	246
120 to 277	26 to 43V	90 minutes	50	1150	ENU1150C50WSD64	L1	10.28	2.40	1.46	261	61	37	246
120 to 277	24 to 40V	90 minutes	60	1500	ENU1500C60WSD64	L1	10.28	2.40	1.46	261	61	37	246

## Fixed Current Emergency LED Driver Multi Voltage 120-347V

BATTERY VOLTAGE	OUTPUT VOLTAGE	Emergency Operating HRS	OUTPUT WATTS	Max Battery Charge Time	SAGE Model Number	CASE SERIES	CASE SIZE Inches			CASE SIZE mm			
							L	W	H	L	W	H	ML
6.4V	15 to 55V	90 minutes	4	24 Hours	CEM4W1555B64E10	E10L	16.50	1.20	1.18	420	30.5	30	413
6.4V	80 to 130V	90 minutes	8	24 Hours	CEM8W80130B64E10	E10L	16.50	1.20	1.18	420	30.5	30	413
6.4V	80 to 130V	90 minutes	8	24 Hours	CEM8W80130B64	MU2	9.50	1.70	1.20	241	43.0	29.5	226
6.4V	80 to 176V	90 minutes	8	24 Hours	CEM8W80176B64	MU2	9.50	1.70	1.20	241	43.0	29.5	226
6.4V	15 to 55V	90 minutes	10	24 Hours	CEM10W1555B64E10	E10L	16.50	1.20	1.18	420	30.5	30	413
6.4V	15 to 55V	90 minutes	10	24 Hours	CEM10W1555B64	MU2	9.50	1.70	1.20	241	43.0	29.5	226
9.6V	15 to 55V	90 minutes	20	24 Hours	CEM20W1555B96	EM	13.30	2.44	1.49	338	62	38	325
9.6V	80 to 130V	90 minutes	28.6	24 Hours	CEM28W80130B96	EM	13.30	2.44	1.49	338	62	38	325
9.6V	80 to 176V	90 minutes	28	24 Hours	CEM28W80176B96	EM	13.30	2.44	1.49	338	62	38	325

## Fixed Current Emergency LED Driver with Flexible Metal Conduit Multi Voltage 120-347V

BATTERY VOLTAGE	OUTPUT VOLTAGE	Emergency Operating HRS	OUTPUT WATTS	Max Battery Charge Time	SAGE Model Number	CASE SERIES	CASE SIZE Inches			CASE SIZE mm			
							L	W	H	L	W	H	ML
6.4V	80 to 130V	90 minutes	8	24 Hours	CEM8W80130B64CFT	MU2	9.50	1.70	1.20	241	43.0	29.5	226
6.4V	80 to 176V	90 minutes	8	24 Hours	CEM8W80176B64CFT	MU2	9.50	1.70	1.20	241	43.0	29.5	226
6.4V	15 to 55V	90 minutes	10	24 Hours	CEM10W1555B64CFT	MU2	9.50	1.70	1.20	241	43.0	29.5	226
9.6V	15 to 55V	90 minutes	20	24 Hours	CEM20W1555B96CFT	EM	13.30	2.44	1.49	338	62	38	325
9.6V	80 to 130V	90 minutes	28.6	24 Hours	CEM28W80130B96CFT	EM	13.30	2.44	1.49	338	62	38	325
9.6V	80 to 176V	90 minutes	28	24 Hours	CEM28W80176B96CFT	EM	13.30	2.44	1.49	338	62	38	325



## SPECIALTY LED DRIVERS INDEX

### Fixed Current 0 - 10V Dimming 347V to 480V

Oct-23

R13

INPUT VOLTAGE	OUTPUT VOLTAGE	OUTPUT CIRCUIT	OUTPUT WATTS	OUTPUT CURRENT mA	SAGE Model Number	CASE SERIES	CASE SIZE Inches			CASE SIZE mm			
							L	W	H	L	W	H	ML
347 to 480	112 to 186V	Single	65	350	NCF350C65WSD	FS5	9.50	2.60	1.60	241	66	40.5	226
347 to 480	168 to 280V	Single	150	530	NCF530C150WSD	FS4	9.50	2.40	1.57	241	61	40	226
347 to 480	171 to 285V	Single	151	530	NCF530C151WSD	FS5	9.50	2.60	1.60	241	66	40.5	226
347 to 480	130 to 214V	Single	150	700	NCF700C150WSD	FS4	9.50	2.40	1.57	241	61	40	226
347 to 480	171 to 285V	Single	200	700	NCF700C200WSD	FS5	9.50	2.60	1.60	241	66	40.5	226
347 to 480	170 to 285V	Single	200	700	NCF700C200WSD	FS5	9.50	2.60	1.60	241	66	40.5	226
347 to 480	120 to 200V	Single	200	1000	NCF1000C200WSD	FS5	9.50	2.60	1.60	241	66	40.5	226
347 to 480	86 to 143V	Single	150	1050	NCF1050C150WSD	FS4	9.50	2.40	1.57	241	61	40	226
347 to 480	114 to 190V	Single	200	1050	NCF1050C200WSD	FS5	9.50	2.60	1.60	241	66	40.5	226
347 to 480	100 to 166V	Single	200	1200	NCF1200C200WSD	FS5	9.50	2.60	1.60	241	66	40.5	226
347 to 480	86 to 143V	Single	180	1250	NCF1250C180WSD	FS5	9.50	2.60	1.60	241	66	40.5	226
347 to 480	69 to 115V	Single	150	1300	NCF1300C150WSD	FS4	9.50	2.40	1.57	241	61	40	226
347 to 480	64 to 107V	Single	150	1400	NCF1400C150WSD	FS4	9.50	2.40	1.57	241	61	40	226
347 to 480	86 to 143V	Single	200	1400	NCF1400C200WSD	FS5	9.50	2.60	1.60	241	66	40.5	226
347 to 480	50 to 83V	Single	150	1800	NCF1800C150WSD	FS4	9.50	2.40	1.57	241	61	40	226
347 to 480	67 to 111V	Single	200	1800	NCF1800C200WSD	FS5	9.50	2.60	1.60	241	66	40.5	226
347 to 480	22 to 36V	Single	75	2100	NCF2100C75WSD	FS4	9.50	2.40	1.57	241	61	40	226
347 to 480	43 to 71V	Single	150	2100	NCF2100C150WSD	FS4	9.50	2.40	1.57	241	61	40	226
347 to 480	57 to 95V	Single	200	2100	NCF2100C200WSD	FS5	9.50	2.60	1.60	241	66	40.5	226
347 to 480	24 to 40V	Single	92	2300	NCF2300C92WSD	FS4	9.50	2.40	1.57	241	61	40	226
347 to 480	25 to 41V	Single	100	2400	NCF2400C100WSD	FS4	9.50	2.40	1.57	241	61	40	226
347 to 480	36 to 60V	Single	150	2500	NCF2500C150WSD	FS4	9.50	2.40	1.57	241	61	40	226
347 to 480	48 to 80V	Single	200	2500	NCF2500C200WSD	FS5	9.50	2.60	1.60	241	66	40.5	226
347 to 480	32 to 54V	Single	150	2800	NCF2800C150WSD	FS4	9.50	2.40	1.57	241	61	40	226
347 to 480	32 to 54V	Single	150	2800	NCF2800C150WSD-IP67	FS9	9.50	2.68	1.60	241	68	40.5	226
347 to 480	43 to 71V	Single	200	2800	NCF2800C200WSD	FS5	9.50	2.60	1.60	241	66	40.5	226
347 to 480	30 to 50V	Single	150	3000	NCF3000C150WSD	FS4	9.50	2.40	1.57	241	61	40	226
347 to 480	40 to 67V	Single	200	3000	NCF3000C200WSD	FS5	9.50	2.60	1.60	241	66	40.5	226
347 to 480	26 to 43V	Single	150	3500	NCF3500C150WSD	FS4	9.50	2.40	1.57	241	61	40	226
347 to 480	34 to 57V	Single	200	3500	NCF3500C200WSD	FS5	9.50	2.60	1.60	241	66	40.5	226

### CCT & Brightness Selectable Multi Current 0 - 10V Dimming Colour Control Multi Voltage 120-347V

INPUT VOLTAGE	OUTPUT VOLTAGE	OUTPUT CIRCUIT	OUTPUT WATTS	OUTPUT CURRENT mA	SAGE Model Number	CASE SERIES	CASE SIZE Inches			CASE SIZE mm			
							L	W	H	L	W	H	ML
120 to 347	27 to 45V	2	34	450/600/750	NM750D3C34WD-CB	EM1	11.97	1.70	1.20	304	43	30.5	289
120 to 347	26 to 43V	2	60	1000/1200/1400	NM1400D3C60WD-CB	EM1	11.97	1.70	1.20	304	43	30.5	289

### Fixed Current CCT & Brightness Dual Channel 0 - 10V Dimming Colour Control 120-277V

INPUT VOLTAGE	OUTPUT VOLTAGE	OUTPUT CIRCUIT	OUTPUT WATTS	OUTPUT CURRENT mA	SAGE Model Number	CASE SERIES	CASE SIZE Inches			CASE SIZE mm			
							L	W	H	L	W	H	ML
120 to 277	22 to 36V	2	18	500	NU500C18WD-CB	MU2	9.50	1.70	1.20	241	43	29.5	226
120 to 277	23 to 39V	2	23	600	NU600C23WD-CB	MU2	9.50	1.70	1.20	241	43	29.5	226
120 to 277	22 to 36V	2	25	700	NU700C25WD-CB	MU2	9.50	1.70	1.20	241	43	29.5	226
120 to 277	22 to 36V	2	50	1400	NU1400C50WD-CB	MU2	9.50	1.70	1.20	241	43	29.5	226
120 to 277	26 to 43V	2	60	1400	NU1400C60WD-CB	MU2	9.50	1.70	1.20	241	43	29.5	226

# SELECTABLE Multi CURRENT LED DRIVERS INDEX

## Selectable Multi Current - 10V Dimming - 347V

Sep-23

R20

INPUT VOLTAGE	OUTPUT VOLTAGE	OUTPUT CIRCUIT	OUTPUT WATTS	OUTPUT CURRENT mA	SAGE Model Number	CASE SERIES	CASE SIZE Inches			CASE SIZE mm			
							L	W	H	L	W	H	ML
347	28 to 48V	Single	33 to 67	700/1050/1400	NC1400D3C67WSD	MU2	9.50	1.70	1.20	241	43	29.5	226

## Selectable Multi Current Non Dimming - 347V

Sep-23

R20

INPUT VOLTAGE	OUTPUT VOLTAGE	OUTPUT CIRCUIT	OUTPUT WATTS	OUTPUT CURRENT mA	SAGE Model Number	CASE SERIES	CASE SIZE Inches			CASE SIZE mm			
							L	W	H	L	W	H	ML
347	22 to 38V	Single	19 to 40	500/700/1050	NC1050D3C40WS	MU2	9.50	1.70	1.20	241	43	29.5	226
347	30 to 43V	Single	30 to 60	700/1050/1400	NC1400D3C60WS	MU2	9.50	1.70	1.20	241	43	29.5	226
347	24 to 40V	Single	56 to 84	1400/1750/2100	NC2100D3C84WS	FS3	9.50	2.40	1.46	241	61	37	226

## Selectable Multi Current 0 - 10V Dimming 120-277V

Oct-23

R39

INPUT VOLTAGE	OUTPUT VOLTAGE	OUTPUT CIRCUIT	OUTPUT WATTS	OUTPUT CURRENT mA	SAGE Model Number	CASE SERIES	CASE SIZE Inches			CASE SIZE mm			
							L	W	H	L	W	H	ML
120 to 277	80 to 133V	Single	46 to 60	350/450	NU450D2C60WSDIM	MU2	9.50	1.70	1.20	241	43	29.5	226
120 to 277	24 to 40V	Single	14 to 20	350/400/450/500	NU500D4C20WSD	C1U	5.23	2.48	1.18	133	63	30	123
120 to 277	48 to 80V	Single	28 to 42	350/520	NU520D2C42WSD	MU2	9.50	1.70	1.20	241	43	29.5	226
120 to 277	25 to 41V	Single	13 to 25	310/500/620	NU620D3C25WSDIM	C1U	5.23	2.48	1.18	133	63	30	123
120 to 277	28 to 48V	Single	17 to 33	350/700	NU700D2C33WSD	MU2	9.50	1.70	1.20	241	43	29.5	226
120 to 277	36 to 60V	Single	21 to 42	350/410/530/700	NU700D4C42WSDIM	MU2	9.50	1.70	1.20	241	43	29.5	226
120 to 277	52 to 86V	Single	30 to 60	350/450/550/700	NU700D4C60WSDIM	MU2	9.50	1.70	1.20	241	43	29.5	226
120 to 277	64 to 107V	Single	37 to 75	350/550/700	NU700D3C75WSD	FS3	9.50	2.40	1.46	241	61	37	226
120 to 277	128 to 214V	Single	74 to 150	350/530/700	NU700D3C150WSDIM	FS5	9.50	2.60	1.60	241	66	40.5	226
120 to 277	22 to 38V	Single	19 to 34	500/700/900	NU900D3C34WSD	MU2	9.50	1.70	1.20	241	43	29.5	226
120 to 277	29 to 48V	Single	24 to 48	500/1000	NU1000D2C48WSD	C4S	6.50	2.87	1.18	165	73	30	149
120 to 277	64 to 107V	Single	54 to 107	500/750/875/1000	NU1000D4C107WSD	FS5	9.50	2.60	1.60	241	66	40.5	226
120 to 277	37 to 57V	Single	29 to 60	500/700/1050	NU1050D3C60WSDIM	MU2	9.50	1.70	1.20	241	43.0	29.5	226
120 to 277	48 to 80V	Single	44 to 84	550/700/950/1050	NU1050D4C84WSBD	FS3	9.50	2.40	1.46	241	61	37	226
120 to 277	48 to 80V	Single	44 to 84	550/700/950/1050	NU1050D4C84WSDIM	FS3	9.50	2.40	1.46	241	61	37	226
120 to 277	64 to 107V	Single	54 to 112	500/750/875/1050	NU1050D4C112WSD	FS5	9.50	2.60	1.60	241	66	40.5	226
120 to 277	25 to 42V	Single	26 to 52	620/1020/1240	NU1240D3C52WSD	MU2	9.50	1.70	1.20	241	43	29.5	226
120 to 277	26 to 43V	Single	30 to 60	700/1050/1400	NU1400D3C60WSDIM	MU2	9.50	1.70	1.20	241	43	29.5	226
120 to 277	26 to 43V	Single	30 to 60	700/1050/1400	NU1400D3C60WSBD	MU2	9.50	1.70	1.20	241	43	29.5	226
120 to 277	51 to 85V	Single	90 to 128	1050/1400/1500	NU1500D3C128WSD	FS5	9.50	2.60	1.60	241	66	40.5	226
120 to 277	34 to 56V	Single	61 to 91	1050/1400/1600	NU1600D3C91WSDIMF	FS3	9.50	2.40	1.46	241	61	37	226
120 to 277	50 to 83V	Single	87 to 142	1000/1400/1710	NU1710D3C142WSD	FS5	9.50	2.60	1.60	241	66	40.5	226
120 to 277	25 to 42V	Single	38 to 76	1400/1750/2100	NU1800D3C76WSD	FS3	9.50	2.40	1.46	241	61	37	226
120 to 277	33 to 54V	Single	57 to 108	1050/1700/2000	NU2000D3C108WSDIM	FS3	9.50	2.40	1.46	241	61	37	226
120 to 277	24 to 40V	Single	56 to 84	1400/1750/2100	NU2100D3C84WSBD	FS3	9.50	2.40	1.46	241	61	37	226
120 to 277	24 to 40V	Single	56 to 84	1400/1750/2100	NU2100D3C84WSD	FS3	9.50	2.40	1.46	241	61	37	226
120 to 277	43 to 71V	Single	75 to 150	1050/1400/2100	NU2100D3C150WSD	FS5	9.50	2.60	1.60	241	66	40.5	226
120 to 277	16 to 24V	Single	41 to 60	1700/2000/2300/2500	NU2500D4C60WSDIM	MU2	9.50	1.70	1.20	241	43	29.5	226
120 to 277	36 to 41V	Single	86 to 111	2100/2500/2700	NU2700D3C111WSD	FS5	9.50	2.60	1.60	241	66	40.5	226
120 to 277	30 to 50V	Single	50 to 150	1000/2000/3000	NU3000D3C150WSDIM	FS5	9.50	2.60	1.60	241	66	40.5	226

# Multi CHANNEL LED DRIVERS INDEX

Jan-24 R19

## Fixed Current 0 - 10V Dimming - Multi Channel

INPUT VOLTAGE	OUTPUT VOLTAGE	OUTPUT CIRCUIT	OUTPUT WATTS	OUTPUT CURRENT mA	SAGE Model Number	CASE SERIES	CASE SIZE Inches			CASE SIZE mm			
							L	W	H	L	W	H	ML
347	20 to 33V	2	30	450	NC450C15WDLDIM	MU2	9.50	1.70	1.20	241	43.0	29.5	226
347	20 to 33V	4	60	450	NC450C15WQDIM	FS3	9.50	2.40	1.46	241	61	37	226
347	24 to 40V	2	36	450	NC450C18WDLDIM	MU2	9.50	1.70	1.20	241	43.0	29.5	226
347	24 to 40V	4	72	450	NC450C18WQDIM	FS3	9.50	2.40	1.46	241	61	37	226
347	25 to 42V	3	90	700	NC700C30WTDIM	FS3	9.50	2.40	1.46	241	61	37	226
120 to 277	26 to 43V	4	32	185	NU185C8WQD	FS3	9.50	2.40	1.46	241	61	37	226
120 to 277	29 to 48V	3	51	350	NU350C17WTD	FS3	9.50	2.40	1.46	241	61	37	226
120 to 277	34 to 57V	4	80	350	NU350C20WQD	FS3	9.50	2.40	1.46	241	61	37	226
120 to 277	16 to 27V	4	40	380	NU380C10WQD	FS3	9.50	2.40	1.46	241	61	37	226
120 to 277	20 to 33V	2	30	450	NU450C15WDLDIM	MU2	9.50	1.70	1.20	241	43.0	29.5	226
120 to 277	25 to 42V	2	38	450	NU450C19WDL	MU2	9.50	1.70	1.20	241	43.0	29.5	226
120 to 277	16 to 27V	4	48	450	NU450C12WQD	FS3	9.50	2.40	1.46	241	61	37	226
120 to 277	20 to 33V	4	60	450	NU450C15WQDIM	FS3	9.50	2.40	1.46	241	61	37	226
120 to 277	20 to 33V	4	60	450	NU450C15WQBD	FS3	9.50	2.40	1.46	241	61	37	226
120 to 277	24 to 40V	2	36	450	NU450C18WDLDIM	MU2	9.50	1.70	1.20	241	43.0	29.5	226
120 to 277	24 to 40V	4	72	450	NU450C18WQDIM	FS3	9.50	2.40	1.46	241	61	37	226
120 to 277	24 to 40V	4	72	450	NU450C18WQBD	FS3	9.50	2.40	1.46	241	61	37	226
120 to 277	30 to 50V	3	75	500	NU500C25WTD	FS3	9.50	2.40	1.46	241	61	37	226
120 to 277	34 to 56V	3	84	500	NU500C84WTD	FS3	9.50	2.40	1.46	241	61	37	226
120 to 277	18 to 30V	2	32	350/700	NU700C21WD-D2	MU2	9.50	1.70	1.20	241	43.0	29.5	226
120 to 277	28 to 46V	2	49	350/700	NU700C32WD-D2	MU2	9.50	1.70	1.20	241	43.0	29.5	226
120 to 277	25 to 42V	3	90	700	NU700C30WTDIM	FS3	9.50	2.40	1.46	241	61	37	226
120 to 277	25 to 42V	3	90	700	NU700C30WTBD	FS3	9.50	2.40	1.46	241	61	37	226
120 to 277	27 to 46V	2	64	700	NU700C32WDL	FS3	9.50	2.40	1.46	241	61	37	226
120 to 277	32 to 54V	2	76	700	NU700C38WDL	FS3	9.50	2.40	1.46	241	61	37	226
120 to 277	34 to 57V	4	160	700	NU700C40WQD	FS7	9.50	3.75	1.77	241	95	45	226
120 to 277	19 to 32V	2	68	1050	NU1050C34WDL	FS3	9.50	2.40	1.46	241	61	37	226

## Fixed Current Non Dimming - Multi Channel

INPUT VOLTAGE	OUTPUT VOLTAGE	OUTPUT CIRCUIT	OUTPUT WATTS	OUTPUT CURRENT mA	SAGE Model Number	CASE SERIES	CASE SIZE Inches			CASE SIZE mm			
							L	W	H	L	W	H	ML
347	20 to 34V	2	24	350	NC350C12WD	MC1	9.50	1.26	1.16	241	32	29	226

## FIXED CURRENT LED DRIVERS INDEX

Fixed Current 0 - 10V Dimming 347V

Aug-23

R35

INPUT VOLTAGE	OUTPUT VOLTAGE	OUTPUT CIRCUIT	OUTPUT WATTS	OUTPUT CURRENT mA	SAGE Model Number	CASE SERIES	CASE SIZE Inches			CASE SIZE mm			
							L	W	H	L	W	H	ML
347	120 to 200V	Single	70	350	NC350C70WSD	MU2	9.50	1.70	1.20	241	43.0	29.5	226
347	85 to 143V	Single	100	700	NC700C100WSD	FS3	9.50	2.40	1.46	241	61	37	226
347	128 to 214V	Single	150	700	NC700C150WSD	FS4	9.50	2.40	1.57	241	61	40	226
347	171 to 285V	Single	200	700	NC700C200WSD	FS5	9.50	2.60	1.60	241	66	40.5	226
347	120 to 200V	Single	200	1000	NC1000C200WSD	FS5	9.50	2.60	1.60	241	66	40.5	226
347	86 to 143V	Single	150	1050	NC1050C150WSD	FS5	9.50	2.60	1.60	241	66	40.5	226
347	114 to 190V	Single	200	1050	NC1050C200WSD	FS5	9.50	2.60	1.60	241	66	40.5	226
347	69 to 115V	Single	150	1300	NC1300C150WSD	FS5	9.50	2.60	1.60	241	66	40.5	226
347	64 to 107V	Single	150	1400	NC1400C150WSD	FS5	9.50	2.60	1.60	241	66	40.5	226
347	86 to 143V	Single	200	1400	NC1400C200WSD	FS5	9.50	2.60	1.60	241	66	40.5	226
347	22 to 37V	Single	56	1500	NC1500C56WSD	MU2	9.50	1.70	1.20	241	43.0	29.5	226
347	24 to 40V	Single	60	1500	NC1500C60WSD	MU2	9.50	1.70	1.20	241	43.0	29.5	226
347	60 to 100V	Single	150	1500	NC1500C150WSD	FS5	9.50	2.60	1.60	241	66	40.5	226
347	50 to 83V	Single	150	1800	NC1800C150WSD	FS5	9.50	2.60	1.60	241	66	40.5	226
347	67 to 111V	Single	200	1800	NC1800C200WSD	FS5	9.50	2.60	1.60	241	66	40.5	226
347	24 to 40V	Single	84	2100	NC2100C84WSD	MU2	9.50	1.70	1.20	241	43.0	29.5	226
347	43 to 71V	Single	150	2100	NC2100C150WSD	FS5	9.50	2.60	1.60	241	66	40.5	226
347	57 to 95V	Single	200	2100	NC2100C200WSD	FS5	9.50	2.60	1.60	241	66	40.5	226
347	26 to 43V	Single	100	2300	NC2300C100WSD	FS3	9.50	2.40	1.46	241	61	37	226
347	36 to 60V	Single	150	2500	NC2500C150WSD	FS5	9.50	2.60	1.60	241	66	40.5	226
347	48 to 80V	Single	200	2500	NC2500C200WSD	FS5	9.50	2.60	1.60	241	66	40.5	226
347	32 to 53V	Single	150	2800	NC2800C150WSD	FS5	9.50	2.60	1.60	241	66	40.5	226
347	43 to 71V	Single	200	2800	NC2800C200WSD	FS5	9.50	2.60	1.60	241	66	40.5	226
347	30 to 50V	Single	150	3000	NC3000C150WSD	FS5	9.50	2.60	1.60	241	66	40.5	226
347	40 to 66V	Single	200	3000	NC3000C200WSD	FS5	9.50	2.60	1.60	241	66	40.5	226
347	26 to 43V	Single	150	3500	NC3500C150WSD	FS5	9.50	2.60	1.60	241	66	40.5	226
347	34 to 57V	Single	200	3500	NC3500C200WSD	FS5	9.50	2.60	1.60	241	66	40.5	226

901 - 3rd Street West, North Vancouver, BC V7P 3P9 Canada

TEL: 604-904-9533

www.sagedrivers.com www.sagelighting.com



# FIXED CURRENT LED DRIVERS INDEX

Fixed Current 0 - 10V Dimming 120-277V

Feb-24 R67

INPUT VOLTAGE	OUTPUT VOLTAGE	OUTPUT CIRCUIT	OUTPUT WATTS	OUTPUT CURRENT mA	SAGE Model Number	CASE SERIES	CASE SIZE Inches			CASE SIZE mm			
							L	W	H	L	W	H	ML
120 to 277	33 to 55V	Single	17	300	NU300C17WSBD	C1B	4.56	2.48	1.18	116	63	30	
120 to 277	36 to 60V	Single	18	350	NU300C18WSD	C1U	5.23	2.48	1.18	133	63	30	123
120 to 277	76 to 128V	Single	39	300	NU300C39WSD	MU2	9.50	1.70	1.20	241	43.0	29.5	226
120 to 277	36 to 60V	Single	20	325	NU325C20WSD	C1U	5.23	2.48	1.18	133	63	30	123
120 to 277	12 to 19V	Single	6.6	350	NU350C6WSDIM	C1U	5.23	2.48	1.18	133	63	30	123
120 to 277	43 to 72V	Single	25	350	NU350C25WSD	C1U	5.23	2.48	1.18	133	63	30	123
120 to 277	51 to 85V	Single	30	350	NU350C30WSDIM	MU2	9.50	1.70	1.20	241	43.0	29.5	226
120 to 277	68 to 114V	Single	40	350	NU350C40WSDIM	C4S	6.50	2.87	1.18	165	73	30	149
120 to 277	86 to 143V	Single	50	350	NU350C50WSDIM	C4S	6.50	2.87	1.18	165	73	30	149
120 to 277	103 to 171V	Single	60	350	NU350C60WSDIM	MU2	9.50	1.70	1.20	241	43.0	29.5	226
120 to 277	170 to 280V	Single	112	400	NU400C112WSD	FS3	9.50	2.40	1.46	241	61	37	226
120 to 277	40 to 66V	Single	30	450	NU450C30WSD	C4S	6.50	2.87	1.18	165	73	30	149
120 to 277	53 to 89V	Single	40	450	NU450C40WSDIM	C4S	6.50	2.87	1.18	165	73	30	149
120 to 277	67 to 111V	Single	50	450	NU450C50WSDIM	C4S	6.50	2.87	1.18	165	73	30	149
120 to 277	80 to 133V	Single	60	450	NU450C60WSDIM	MU2	9.50	1.70	1.20	241	43.0	29.5	226
120 to 277	100 to 166V	Single	75	450	NU450C75WSD	FS3	9.50	2.40	1.46	241	61	37	226
120 to 277	36 to 60V	Single	30	500	NU500C30WSD	C1U	5.23	2.48	1.18	133	63	30	123
120 to 277	52 to 88V	Single	44	500	NU500C44WSD	MU2	9.50	1.70	1.20	241	43.0	29.5	226
120 to 277	46 to 77V	Single	40	520	NU520C40WSD	C1U	5.23	2.48	1.18	133	63	30	123
120 to 277	46 to 77V	Single	40	530	NU520C40WSBD	C1B	4.56	2.48	1.18	116	63	30	
120 to 277	170 to 283V	Single	150	530	NU530C150WSD	FS4	9.50	2.40	1.57	241	61	40	226
120 to 277	43 to 72V	Single	40	550	NU550C40WSD	C1U	5.23	2.48	1.18	133	63	30	123
120 to 277	75 to 125V	Single	73	580	NU580C73WSD	MU2	9.50	1.70	1.20	241	43.0	29.5	226
120 to 277	166 to 277V	Single	180	650	NU650C180WSD	FS5	9.50	2.60	1.60	241	66	40.5	226
120 to 277	11 to 17V	Single	12	700	NU700C12WSD	C1U	5.23	2.48	1.18	133	63	30	123
120 to 277	22 to 36V	Single	25	700	NU700C25WSD	MU2	9.50	1.70	1.20	241	43.0	29.5	226
120 to 277	25 to 42V	Single	30	700	NU700C30WSDIM	MU2	9.50	1.70	1.20	241	43.0	29.5	226
120 to 277	36 to 60V	Single	42	700	NU700C42WRS	MU2	9.50	1.70	1.20	241	43.0	29.5	226
120 to 277	36 to 60V	Single	42	700	NU700C42WSDIM	C4S	6.50	2.87	1.18	165	73	30	149
120 to 277	60 to 86V	Single	60	700	NU700C60WSD	MU2	9.50	1.70	1.20	241	43.0	29.5	226
120 to 277	64 to 107V	Single	75	700	NU700C75WSD	FS3	9.50	2.40	1.46	241	61	37	226
120 to 277	85 to 143V	Single	100	700	NU700C100WSDIM	MU2	9.50	1.70	1.20	241	43.0	29.5	226
120 to 277	103 to 171V	Single	120	700	NU700C120WSD	FS4	9.50	2.40	1.57	241	61	40	226
120 to 277	128 to 214V	Single	150	700	NU700C150WSDIM	FS4	9.50	2.40	1.57	241	61	40	226
120 to 277	171 to 285V	Single	200	700	NU700C200WSDIM	FS5	9.50	2.60	1.60	241	66	40.5	226
120 to 277	25 to 42V	Single	34	800	NU800C34WSD	MU2	9.50	1.70	1.20	241	43.0	29.5	226
120 to 277	25 to 42V	Single	34	800	NU800C34WSBD	FS3	9.50	2.40	1.46	241	61	37	226
120 to 277	48 to 80V	Single	72	900	NU900C72WSD	FS3	9.50	2.40	1.46	241	61	37	226

# FIXED CURRENT LED DRIVERS INDEX

**Fixed Current 0 - 10V Dimming 120-277V**

Feb-24 R58

INPUT VOLTAGE	OUTPUT VOLTAGE	OUTPUT CIRCUIT	OUTPUT WATTS	OUTPUT CURRENT mA	SAGE Model Number	CASE SERIES	CASE SIZE Inches			CASE SIZE mm			
							L	W	H	L	W	H	ML
120 to 277	120 to 200V	Single	200	1000	NU1000C200WSD	FS5	9.50	2.60	1.60	241	66	40.5	226
120 to 277	9 to 13V	Single	14	1050	NU1050C14WSD	C4S	6.50	2.87	1.18	165	73	30	149
120 to 277	34 to 57V	Single	60	1050	NU1050C60WSDIM	MU2	9.50	1.70	1.20	241	43.0	29.5	226
120 to 277	39 to 65V	Single	62	1050	NU1050C62WSD	MU2	9.50	1.70	1.20	241	43.0	29.5	226
120 to 277	48 to 80V	Single	84	1050	NU1050C84WSD	FS3	9.50	2.40	1.46	241	61	37	226
120 to 277	58 to 96V	Single	100	1050	NU1050C100WSDIM	FS3	9.50	2.40	1.46	241	61	37	226
120 to 277	86 to 143V	Single	150	1050	NU1050C150WSD	FS4	9.50	2.40	1.57	241	61	40	226
120 to 277	24 to 40V	Single	44	1100	NU1100C44WSD	MU2	9.50	1.70	1.20	241	43.0	29.5	226
120 to 277	70 to 96V	Single	115	1200	NU1200C115WSDIM	FS3	9.50	2.40	1.46	241	61	37	226
120 to 277	25 to 42V	Single	52	1240	NU1240C52WSDIM	MU2	9.50	1.70	1.20	241	43.0	29.5	226
120 to 277	7 to 12V	Single	15	1260	NU1260C15WSD	C1U	5.23	2.48	1.18	133	63	30	123
120 to 277	69 to 115V	Single	150	1300	NU1300C150WSD	FS4	9.50	2.40	1.57	241	61	40	226
120 to 277	22 to 37V	Single	52	1400	NU1400C52WSD	MU2	9.50	1.70	1.20	241	43.0	29.5	226
120 to 277	26 to 43V	Single	60	1400	NU1400C60WSD	MU2	9.50	1.70	1.20	241	43.0	29.5	226
120 to 277	64 to 107V	Single	150	1400	NU1400C150WSD	FS4	9.50	2.40	1.57	241	61	40	226
120 to 277	86 to 143V	Single	200	1400	NU1400C200WSD	FS5	9.50	2.60	1.60	241	66	40.5	226
120 to 277	15 to 24V	Single	36	1500	NU1500C36WSD	MU2	9.50	1.70	1.20	241	43.0	29.5	226
120 to 277	16 to 26V	Single	39	1500	NU1500C39WSD	C1U	5.23	2.48	1.18	133	63	30	123
120 to 277	24 to 40V	Single	60	1500	NU1500C60WSD	MU2	9.50	1.70	1.20	241	43.0	29.5	226
120 to 277	31 to 52V	Single	78	1500	NU1500C78WSD	MU2	9.50	1.70	1.20	241	43.0	29.5	226
120 to 277	60 to 100V	Single	150	1500	NU1500C150WSD	FS4	9.50	2.40	1.57	241	61	40	226
120 to 277	21 to 36V	Single	58	1600	NU1600C58WSD	MU2	9.50	1.70	1.20	241	43.0	29.5	226
120 to 277	25 to 42V	Single	67	1600	NU1600C67WSD	MU2	9.50	1.70	1.20	241	43.0	29.5	226
120 to 277	40 to 58V	Single	91	1600	NU1600C91WSDIM	FS3	9.50	2.40	1.46	241	61	37	226
120 to 277	24 to 40V	Single	65	1630	NU1630C65WSD	MU2	9.50	1.70	1.20	241	43.0	29.5	226
120 to 277	26 to 44V	Single	75	1700	NU1700C75WSD	MU2	9.50	1.70	1.20	241	43.0	29.5	226
120 to 277	16 to 27V	Single	48	1750	NU1750C48WSD	MU2	9.50	1.70	1.20	241	43.0	29.5	226
120 to 277	29 to 48V	Single	84	1750	NU1750C91WSD	MU2	9.50	1.70	1.20	241	43.0	29.5	226
120 to 277	14 to 24V	Single	43	1800	NU1800C43WSD	C1U	5.23	2.48	1.18	133	63	30	123
120 to 277	14 to 24V	Single	43	1800	NU1800C43WSDE13	E13	12.36	1.34	1.08	314	34	27.5	301
120 to 277	50 to 83V	Single	150	1800	NU1800C150WSDIM	FS5	9.50	2.60	1.60	241	66	40.5	226
120 to 277	67 to 110V	Single	200	1800	NU1800C200WSD	FS5	9.50	2.60	1.60	241	66	40.5	226
120 to 277	25 to 42V	Single	80	1900	NU1900C80WSD	MU2	9.50	1.70	1.20	241	43.0	29.5	226
120 to 277	15 to 24V	Single	48	2000	NU2000C48WSD	MU2	9.50	1.70	1.20	241	43.0	29.5	226
120 to 277	25 to 42V	Single	84	2000	NU2000C84WSD	MU2	9.50	1.70	1.20	241	43.0	29.5	226
120 to 277	25 to 42V	Single	84	2000	NU2000C84WSBD	FS3	9.50	2.40	1.46	241	61	37	226
120 to 277	33 to 54V	Single	108	2000	NU2000C108WSD	FS3	9.50	2.40	1.46	241	61	37	226
120 to 277	33 to 54V	Single	108	2000	NU2000C108WSBD	FS3	9.50	2.40	1.46	241	61	37	226
120 to 277	33 to 55V	Single	110	2000	NU2000C110WSDIM	FS3	9.50	2.40	1.46	241	61	37	226



# FIXED CURRENT LED DRIVERS INDEX

**Fixed Current 0 - 10V Dimming 120-277V**

Jan-24

R56

INPUT VOLTAGE	OUTPUT VOLTAGE	OUTPUT CIRCUIT	OUTPUT WATTS	OUTPUT CURRENT mA	SAGE Model Number	CASE SERIES	CASE SIZE Inches			CASE SIZE mm			
							L	W	H	L	W	H	ML
120 to 277	15 to 24V	Single	50	2100	NU2100C50WSD	MU2	9.50	1.70	1.20	241	43.0	29.5	226
120 to 277	24 to 40V	Single	84	2100	NU2100C84WSD	MU2	9.50	1.70	1.20	241	43.0	29.5	226
120 to 277	24 to 40V	Single	84	2100	NU2100C84WSD	FS3	9.50	2.40	1.46	241	61	37	226
120 to 277	24 to 40V	Single	84	2100	NU2100C84WSDDIM	FS3	9.50	2.40	1.46	241	61	37	226
120 to 277	25 to 42V	Single	88	2100	NU2100C88WSD	MU2	9.50	1.70	1.20	241	43.0	29.5	226
120 to 277	43 to 71V	Single	150	2100	NU2100C150WSD	FS5	9.50	2.60	1.60	241	66	40.5	226
120 to 277	57 to 95V	Single	200	2100	NU2100C200WSD	FS5	9.50	2.60	1.60	241	66	40.5	226
120 to 277	27 to 45V	Single	100	2200	NU2200C100WSD	MU2	9.50	1.70	1.20	241	43.0	29.5	226
120 to 277	24 to 40V	Single	96	2400	NU2400C96WSD	MU2	9.50	1.70	1.20	241	43.0	29.5	226
120 to 277	30 to 50V	Single	120	2400	NU2400C120WSD	FS4	9.50	2.40	1.57	241	61	40	226
120 to 277	12 to 20V	Single	50	2500	NU2500C50WSD	MU2	9.50	1.70	1.20	241	43.0	29.5	226
120 to 277	16 to 24V	Single	60	2500	NU2500C60WSD	MU2	9.50	1.70	1.20	241	43.0	29.5	226
120 to 277	48 to 80V	Single	200	2500	NU2500C200WSD	FS5	9.50	2.60	1.60	241	66	40.5	226
120 to 277	22 to 38V	Single	98	2600	NU2600C98WSD	MU2	9.50	1.70	1.20	241	43.0	29.5	226
120 to 277	14 to 24V	Single	67	2800	NU2800C67WSD	FS3	9.50	2.40	1.46	241	61	37	226
120 to 277	32 to 54V	Single	96	2800	NU2800C96WSD	FS4	9.50	2.40	1.57	241	61	40	226
120 to 277	25 to 43V	Single	120	2800	NU2800C120WSD	FS4	9.50	2.40	1.57	241	61	40	226
120 to 277	32 to 54V	Single	150	2800	NU2800C150WSD	FS4	9.50	2.40	1.57	241	61	40	226
120 to 277	43 to 71V	Single	200	2800	NU2800C200WSD	FS5	9.50	2.60	1.60	241	66	40.5	226
120 to 277	15 to 24V	Single	72	3000	NU3000C72WSD	FS3	9.50	2.40	1.46	241	61	37	226
120 to 277	30 to 50V	Single	150	3000	NU3000C150WSD	FS5	9.50	2.60	1.60	241	66	40.5	226
120 to 277	40 to 66V	Single	200	3000	NU3000C200WSD	FS5	9.50	2.60	1.60	241	66	40.5	226
120 to 277	29 to 48V	Single	150	3150	NU3150C150WSD	FS5	9.50	2.60	1.60	241	66	40.5	226
120 to 277	14 to 23V	Single	75	3260	NU3260C75WSD	MU2	9.50	1.70	1.20	241	43.0	29.5	226
120 to 277	27 to 45V	Single	150	3300	NU3300C150WSD	FS4	9.50	2.40	1.57	241	61	40	226
120 to 277	21 to 34V	Single	120	3500	NU3500C120WSD	FS4	9.50	2.40	1.57	241	61	40	226
120 to 277	34 to 47V	Single	200	3500	NU3500C200WSD	FS5	9.50	2.60	1.60	241	66	40.5	226
120 to 277	22 to 36V	Single	136	3800	NU3800C136WSD	FS4	9.50	2.40	1.57	241	61	40	226
120 to 277	30 to 50V	Single	210	4200	NU4200C210WSD	FS5	9.50	2.60	1.60	241	66	40.5	226
120 to 277	32 to 54V	Single	240	4500	NU4500C240WSD	FS5	9.50	2.60	1.60	241	66	40.5	226
120 to 277	29 to 48V	Single	210	5000	NU5000C210WSD	FS5	9.50	2.60	1.60	241	66	40.5	226
120 to 277	29 to 48V	Single	240	5000	NU5000C240WSD	FS5	9.50	2.60	1.60	241	66	40.5	226

# FIXED CURRENT LED DRIVERS INDEX

## Fixed Current Non Dimming

Oct-23

R44

INPUT VOLTAGE	OUTPUT VOLTAGE	OUTPUT CIRCUIT	OUTPUT WATTS	OUTPUT CURRENT mA	SAGE Model Number	CASE SERIES	CASE SIZE Inches			CASE SIZE mm			
							L	W	H	L	W	H	ML
120 to 277	79 to 131V	Single	34	260	NU260C34WS	C1U	5.23	2.48	1.18	133	63	30	123
120 to 277	18 to 30V	Single	9	300	NU300C9WSM	D2	4.21	1.42	1.14	107	36	29	99
120 to 277	36 to 60V	Single	18	350	NU300C18WS	C1U	5.23	2.48	1.18	133	63	30	123
120 to 277	105 to 175V	Single	53	300	NU300C53WS	MU2	9.50	1.70	1.20	241	43.0	29.5	226
120 to 277	20 to 34V	Single	10.5	310	NU310C10WSM	D2	4.21	1.42	1.14	107	36	29	99
120 to 277	9 to 14V	Single	5	350	NU350C5WSM	D2	4.21	1.42	1.14	107	36	29	99
120 to 277	14 to 23V	Single	8	350	NU350C8WSM	D2	4.21	1.42	1.14	107	36	29	99
120 to 277	20 to 34V	Single	12	350	NU350C12WSM	D2	4.21	1.42	1.14	107	36	29	99
120 to 277	14 to 24V	Single	11	450	NU450C11WSM	D2	4.21	1.42	1.14	107	36	29	99
120 to 277	24 to 40V	Single	18	450	NU450C18WSM	D2	4.21	1.42	1.14	107	36	29	99
120 to 277	6 to 10V	Single	5	500	NU500C5WSM	D2	4.21	1.42	1.14	107	36	29	99
120 to 277	15 to 24V	Single	12	500	NU500C12WSM	D2	4.21	1.42	1.14	107	36	29	99
120 to 277	22 to 36V	Single	18	500	NU500C18WS	D2	4.21	1.42	1.14	107	36	29	99
120 to 277	24 to 40V	Single	24	600	NU600C24WSM	D2	4.21	1.42	1.14	107	36	29	99
120 to 277	34 to 57V	Single	34	600	NU600C34WS	C1U	5.23	2.48	1.18	133	63	30	123
120 to 277	2 to 4V	Single	3	700	NU700C3WSM	D2	4.21	1.42	1.14	107	36	29	99
120 to 277	5 to 7V	Single	5	700	NU700C5WSM	D2	4.21	1.42	1.14	107	36	29	99
120 to 277	6 to 10V	Single	7	700	NU700C7WSM	D2	4.21	1.42	1.14	107	36	29	99
120 to 277	8 to 13V	Single	9	700	NU700C9WSM	D2	4.21	1.42	1.14	107	36	29	99
120 to 277	11 to 17V	Single	12	700	NU700C12WSM	D2	4.21	1.42	1.14	107	36	29	99
120 to 277	15 to 24V	Single	17	700	NU700C17WSM	D2	4.21	1.42	1.14	107	36	29	99
120 to 277	17 to 28V	Single	20	700	NU700C20WSM	D2	4.21	1.42	1.14	107	36	29	99
120 to 277	36 to 60V	Single	42	700	NU700C42WS	C4S	6.50	2.87	1.18	165	73	30	149
120 to 277	43 to 71V	Single	50	700	NU700C50WRS	MU2	9.50	1.70	1.20	241	43.0	29.5	226
120 to 277	43 to 71V	Single	50	700	NU700C50WS	C4S	6.50	2.87	1.18	165	73	30	149
120 to 277	8 to 14V	Single	12.6	900	NU900C13WSM	D2	4.21	1.42	1.14	107	36	29	99
120 to 277	3 to 5V	Single	5	1050	NU1050C5WSM	D2	4.21	1.42	1.14	107	36	29	99
120 to 277	7 to 11V	Single	12	1050	NU1050C12WSM	D2	4.21	1.42	1.14	107	36	29	99
120 to 277	86 to 144V	Single	158	1100	NU1100C158WS	FS5	9.50	2.60	1.60	241	66	40.5	226
120 to 277	27 to 45V	Single	90	2000	NU2000C90WS	MU2	9.50	1.70	1.20	241	43.0	29.5	226
120 to 277	15 to 25V	Single	79	3150	NU3150C79WS	MU2	9.50	1.70	1.20	241	43.0	29.5	226
120 to 277	29 to 48V	Single	187	3900	NU3900C187WS	FS5	9.50	2.60	1.60	241	66	40.5	226

901 - 3rd Street West, North Vancouver, BC V7P 3P9 Canada  
 TEL: 604-904-9533  
 www.sagedrivers.com    www.sagelighting.com





# CONSTANT VOLTAGE LED DRIVERS INDEX

## Constant Voltage 0-10V Dimming

Dec-22

R26

INPUT VOLTAGE	OUTPUT VOLTAGE	OUTPUT CIRCUIT	OUTPUT WATTS	OUTPUT CURRENT mA	SAGE Model Number	CASE SERIES	CASE SIZE Inches			CASE SIZE mm			
							L	W	H	L	W	H	ML
347	12V	Single	60	0.5-5A	NC12V60WSDIM	MU2	9.50	1.70	1.20	241	43.0	29.5	226
347	12V	Single	100	8.33A	NC12V100WSDIM	FS3	9.50	2.40	1.46	241	61	37	226
347	12V	Single	150	12.50A	NC12V150WSDIM	FS5	9.50	2.60	1.60	241	66	40.5	226
347	24V	Single	60	2.5A	NC24V60WSDIM	MU2	9.50	1.70	1.20	241	43.0	29.5	226
347	24V	Single	100	4.1A	NC24V100WSDIM-E9L	E9L	15.50	1.50	1.14	395	38	29.5	387
347	24V	Single	100	4.1A	NC24V100WSDIM	FS3	9.50	2.40	1.46	241	61	37	226
347	24V	Single	150	6.25A	NC24V150WSDIM	FS5	9.50	2.60	1.60	241	66	40.5	226
347	36V	Single	60	1.66A	NC36V60WSDIM	MU2	9.50	1.70	1.20	241	43.0	29.5	226
347	36V	Single	100	2.7A	NC36V100WSDIM	FS3	9.50	2.40	1.46	241	61	37	226
347	36V	Single	150	4.16A	NC36V150WSDIM	FS5	9.50	2.60	1.60	241	66	40.5	226
347	48V	Single	60	1.25A	NC48V60WSDIM	MU2	9.50	1.70	1.20	241	43.0	29.5	226
347	48V	Single	100	2.08A	NC48V100WSDIM	FS3	9.50	2.40	1.46	241	61	37	226
347	48V	Single	150	3.12A	NC48V150WSDIM	FS5	9.50	2.60	1.60	241	66	40.5	226
120 to 277	12V	Single	25	2.08A	NU12V25WSDIM	MU2	9.50	1.70	1.20	241	43.0	29.5	226
120 to 277	12V	Single	60	0.5-5A	NU12V60WSDIM	MU2	9.50	1.70	1.20	241	43.0	29.5	226
120 to 277	12V	Single	100	8.33A	NU12V100WSDIM	FS3	9.50	2.40	1.46	241	61	37	226
120 to 277	12V	Single	150	12.50A	NU12V150WSDIM	FS5	9.50	2.60	1.60	241	66	40.5	226
120 to 277	24V	Single	25	1.04A	NU24V25WSDIM	MU2	9.50	1.70	1.20	241	43.0	29.5	226
120 to 277	24V	Single	60	2.5A	NU24V60WSDIM	MU2	9.50	1.70	1.20	241	43.0	29.5	226
120 to 277	24V	Single	100	4.1A	NU24V100WSDIM	FS3	9.50	2.40	1.46	241	61	37	226
120 to 277	24V	Single	150	6.25A	NU24V150WSDIM	FS5	9.50	2.60	1.60	241	66	40.5	226
120 to 277	36V	Single	60	1.66A	NU36V60WSDIM	MU2	9.50	1.70	1.20	241	43.0	29.5	226
120 to 277	36V	Single	100	2.7A	NU36V100WSDIM	FS3	9.50	2.40	1.46	241	61	37	226
120 to 277	36V	Single	150	4.16A	NU36V150WSDIM	FS5	9.50	2.60	1.60	241	66	40.5	226
120 to 277	48V	Single	60	1.25A	NU48V60WSDIM	MU2	9.50	1.70	1.20	241	43.0	29.5	226
120 to 277	48V	Single	100	2.08A	NU48V100WSDIM	FS3	9.50	2.40	1.46	241	61	37	226
120 to 277	48V	Single	150	3.12A	NU48V150WSDIM	FS5	9.50	2.60	1.60	241	66	40.5	226

## Constant Voltage Non Dimming

Aug-23

R24

INPUT VOLTAGE	OUTPUT VOLTAGE	OUTPUT CIRCUIT	OUTPUT WATTS	OUTPUT CURRENT mA	SAGE Model Number	CASE SERIES	CASE SIZE Inches			CASE SIZE mm			
							L	W	H	L	W	H	ML
347	12V	Single	20	1.66A	NC12V20WSM	D2	4.21	1.42	1.14	107	36	29	99
347	24V	Single	100	4.1A	NC24V100WS	MU2	9.50	1.70	1.20	241	43.0	29.5	226
120 to 277	12V	Single	12	1.0A	NU12V12WSM	D2	4.21	1.42	1.14	107	36	29	99
120 to 277	12V	Single	20	1.66A	NU12V20WSM	D2	4.21	1.42	1.14	107	36	29	99
120 to 277	12V	Single	25	2.08A	NU12V25WS	MU2	9.50	1.70	1.20	241	43.0	29.5	226
120 to 277	12V	Single	60	5A	NU12V60WS	MU2	9.50	1.70	1.20	241	43.0	29.5	226
120 to 277	24V	Single	12	0.5	NU24V12WSM	D2	4.21	1.42	1.14	107	36	29	99
120 to 277	24V	Single	25	1.04A	NU24V25WSB	C2B	4.90	2.50	1.14	125	64	29	114
120 to 277	24V	Single	25	1.04A	NU24V25WS	MU2	9.50	1.70	1.20	241	43.0	29.5	226
120 to 277	24V	Single	50	2.1A	NU24V50WS	C2S	6.80	2.40	1.23	174	61	31	158
120 to 277	24V	Single	60	2.5A	NU24V60WS	MU2	9.50	1.70	1.20	241	43.0	29.5	226
120 to 277	24V	Single	100	4.1A	NU24V100WS-E9L	E9L	15.50	1.50	1.14	395	38	29.5	387
120 to 277	36V	Single	12	0.33A	NU36V12WSM	D2	4.21	1.42	1.14	107	36	29	99

# AC TRIAC LED DRIVERS LEADING & TRAILING EDGE COMPATIBLE DIMMING INDEX

Jan-24 R32

## Fixed Current Triac Leading & Trailing Edge Dimming 120V

INPUT VOLTAGE	OUTPUT VOLTAGE	OUTPUT CIRCUIT	OUTPUT WATTS	OUTPUT CURRENT mA	SAGE Model Number	CASE SERIES	CASE SIZE Inches			CASE SIZE mm			
							L	W	H	L	W	H	ML
120	25 to 36V	Single	6.5	180	TO180C6.5WS	P1	3.86	1.46	1.06	98	37	26.5	94
120	17 to 24V	Single	4.8	200	TO200C5WS	P1	3.86	1.46	1.06	98	37	26.5	94
120	30 to 42V	Single	9	220	TO220C9WS	P1	3.86	1.46	1.06	98	37	26.5	94
120	25 to 36V	Single	11	300	TO300C11WS	P1	3.86	1.46	1.06	98	37	26.5	94
120	27 to 39V	Single	13	330	TO330C13WS	P1	3.86	1.46	1.06	98	37	26.5	94
120	22 to 31V	Single	11	350	TO350C11WSM	C1U	5.23	2.48	1.18	133	63	30	123
120	24 to 34V	Single	12	350	TO350C12WS	P1	3.86	1.46	1.06	98	37	26.5	94
120	30 to 43V	Single	15	350	TO350C15WSM	C1U	5.23	2.48	1.18	133	63	30	123
120	29 to 42V	Single	15	350	TO350C15WS	P1	3.86	1.46	1.06	98	37	26.5	94
120	36 to 51V	Single	18	350	TO350C18WS	P1	3.86	1.46	1.06	98	37	26.5	94
120	42 to 60V	Single	21	350	TO350C21WS	P1	3.86	1.46	1.06	98	37	26.5	94
120	50 to 71V	Single	25	350	TO350C25WS	P1	3.86	1.46	1.06	98	37	26.5	94
120	35 to 50V	Single	21	420	TO420C21WS	P1	3.86	1.46	1.06	98	37	26.5	94
120	29 to 42V	Single	19	460	TO460C19WS	P1	3.86	1.46	1.06	98	37	26.5	94
120	26 to 38V	Single	18	470	TO470C18WS	P1	3.86	1.46	1.06	98	37	26.5	94
120	25 to 36V	Single	18	500	TO500C18WS	P1	3.86	1.46	1.06	98	37	26.5	94
120	35 to 50V	Single	25	500	TO500C25WS	P1	3.86	1.46	1.06	98	37	26.5	94
120	12 to 18V	Single	10	600	TO600C10WS	P1	3.86	1.46	1.06	98	37	26.5	94
120	21 to 30V	Single	18	600	TO600C18WS	P1	3.86	1.46	1.06	98	37	26.5	94
120	27 to 39V	Single	23	600	TO600C23WS	P1	3.86	1.46	1.06	98	37	26.5	94
120	35 to 50V	Single	30	600	TO600C30WS	P2	4.33	1.77	1.10	110	45	28	104
120	40 to 57V	Single	34	600	TO600C34WS	P2	4.33	1.77	1.10	110	45	28	104
120	25 to 36V	Single	22	610	TO610C22WS	P1	3.86	1.46	1.06	98	37	26.5	94
120	10 to 14V	Single	10	700	TO700C10WS	P1	3.86	1.46	1.06	98	37	26.5	94
120	15 to 21V	Single	15	700	TO700C15WS	P1	3.86	1.46	1.06	98	37	26.5	94
120	17 to 25V	Single	18	700	TO700C18WS	P1	3.86	1.46	1.06	98	37	26.5	94
120	25 to 36V	Single	25	700	TO700C25WS	P1	3.86	1.46	1.06	98	37	26.5	94
120	35 to 50V	Single	35	700	TO700C35WS	P2	4.33	1.77	1.10	110	45	28	104
120	24 to 35V	Single	30	870	TO870C30WS	P2	4.33	1.77	1.10	110	45	28	104
120	8 to 12V	Single	10	900	TO900C10WS	P1	3.86	1.46	1.06	98	37	26.5	94
120	24 to 34V	Single	34	1000	TO1000C34WS	P2	4.33	1.77	1.10	110	45	28	104
120	10 to 14V	Single	15	1050	TO1050C15WS	P1	3.86	1.46	1.06	98	37	26.5	94
120	24 to 35V	Single	35	1050	TO1050C35WS	P2	4.33	1.77	1.10	110	45	28	104
120	8 to 11V	Single	14	1260	TO1260C14WS	P1	3.86	1.46	1.06	98	37	26.5	94
120	18 to 25V	Single	35	1400	TO1400C35WS	P2	4.33	1.77	1.10	110	45	28	104

901 - 3rd Street West, North Vancouver, BC V7P 3P9 Canada

TEL: 604-904-9533

www.sagedrivers.com www.sagelighting.com



## PROGRAMMABLE LED DRIVERS INDEX Resistor RSET Interface

May-18 R9

### Fixed Current 0 - 10V Dimming - Programmable Resistor RSET Interface

INPUT VOLTAGE	OUTPUT VOLTAGE	OUTPUT CIRCUIT	OUTPUT WATTS	OUTPUT CURRENT mA	SAGE Model Number	CASE SERIES	CASE SIZE Inches			CASE SIZE mm			
							L	W	H	L	W	H	ML
347	27 to 55V	Single	80	1050 to 2100	PRC2100C80WSDIM	E14	15.50	1.49	1.08	395	38	27.50	387
347	27 to 55V	Single	98	1400 to 2750	PRC2750C98WSDIM	E14	15.50	1.49	1.08	395	38	27.50	387
120 to 277	27 to 55V	Single	80	1050 to 2100	PRU2100C80WSDIM	E14	15.50	1.49	1.08	395	38	27.50	387
120 to 277	27 to 55V	Single	98	1400 to 2750	PRU2750C98WSDIM	E14	15.50	1.49	1.08	395	38	27.50	387

## CONSTANT CURRENT LED DRIVERS RESISTOR RSET INTERFACE INDEX

### Fixed Current 0 - 10V Dimming - Resistor RSET Interface Sep-23 R14

INPUT VOLTAGE	OUTPUT VOLTAGE	OUTPUT CIRCUIT	OUTPUT WATTS	OUTPUT CURRENT mA	SAGE Model Number	CASE SERIES	CASE SIZE Inches			CASE SIZE mm			
							L	W	H	L	W	H	ML
347	27 to 55V	Single	54	900 to 1500	RC1500C54WSD	E13	12.36	1.34	1.08	314	34	27.5	301
120 to 277	27 to 55V	Single	40	600 to 1100	RU1100C40WSD	E13	12.36	1.34	1.08	314	34	27.5	301
120 to 277	27 to 55V	Single	54	900 to 1500	RU1500C54WSD	E13	12.36	1.34	1.08	314	34	27.5	301
120 to 277	15 to 24V	Single	48	1400 to 2000	RU2000C48WSD	E13	12.36	1.34	1.08	314	34	27.5	301
120 to 277	27 to 55V	Single	80	1400 to 2200	RU2200C80WSD	E14	15.50	1.49	1.08	395	38	27.50	387

### Fixed Current STEP Dimming - Resistor RSET Interface

INPUT VOLTAGE	OUTPUT VOLTAGE	OUTPUT CIRCUIT	OUTPUT WATTS	OUTPUT CURRENT mA	SAGE Model Number	CASE SERIES	CASE SIZE Inches			CASE SIZE mm			
							L	W	H	L	W	H	ML
120 to 277	27 to 55V	Single	54	1000 to 1500	RU1500C54W-SD	E13	12.36	1.34	1.08	314	34	27.5	301

901 - 3rd Street West, North Vancouver, BC V7P 3P9 Canada

TEL: 604-904-9533

www.sagedrivers.com www.sagelighting.com



## FIXED CURRENT CIRCULAR (UFO) LED DRIVERS INDEX

May-22 R3

### Fixed Current 0 - 10V Dimming UFO 120-277V

INPUT VOLTAGE	OUTPUT VOLTAGE	OUTPUT CIRCUIT	OUTPUT WATTS	OUTPUT CURRENT mA	SAGE Model Number	CASE SERIES	CASE SIZE Inches			CASE SIZE mm			
							L	W	H	L	W	H	ML
347	36 to 60V	Single	100	1600	UNC1600C100WSD	UF1	5.20	2.83		132	72.0	113	
347	32 to 53V	Single	100	1900	UNC1900C100WSD	UF1	5.20	2.83		132	72.0	113	
347	22 to 36V	Single	100	2800	UNC2800C100WSD	UF1	5.20	2.83		132	72.0	113	
347	36 to 60V	Single	160	2600	UNC2600C160WSD	UF2	5.98	2.83		152	72.0	132	
347	32 to 54V	Single	160	3000	UNC3000C160WSD	UF2	5.98	2.83		152	72.0	132	
347	29 to 48V	Single	160	3300	UNC3300C160WSD	UF2	5.98	2.83		152	72.0	132	
347	29 to 48V	Single	200	3300	UNC4300C200WSD	UF2	5.98	2.83		152	72.0	132	
347	22 to 36V	Single	160	4500	UNC4500C160WSD	UF2	5.98	2.83		152	72.0	132	
347	36 to 60V	Single	200	3400	UNC3400C200WSD	UF2	5.98	2.83		152	72.0	132	
347	32 to 54V	Single	200	3700	UNC3700C200WSD	UF2	5.98	2.83		152	72.0	132	
347	29 to 48V	Single	200	4300	UNC4300C200WSD	UF2	5.98	2.83		152	72.0	132	
347	22 to 36V	Single	200	5600	UNC5600C200WSD	UF2	5.98	2.83		152	72.0	132	
347	36 to 60V	Single	240	4000	UNC4000C240WSD	UF3	7.16	2.83		182	72.0	162	
347	32 to 54V	Single	240	4500	UNC4500C240WSD	UF3	7.16	2.83		182	72.0	162	
347	29 to 48V	Single	240	5000	UNC5000C240WSD	UF3	7.16	2.83		182	72.0	162	
347	22 to 36V	Single	240	6700	UNC6700C240WSD	UF3	7.16	2.83		182	72.0	162	
120 to 277	36 to 60V	Single	100	1600	UNU1600C100WSD	UF1	5.20	2.83		132	72.0	113	
120 to 277	32 to 53V	Single	100	1900	UNU1900C100WSD	UF1	5.20	2.83		132	72.0	113	
120 to 277	29 to 48V	Single	100	2000	UNU2000C100WSD	UF1	5.20	2.83		132	72.0	113	
120 to 277	22 to 36V	Single	100	2800	UNU2800C100WSD	UF1	5.20	2.83		132	72.0	113	
120 to 277	36 to 60V	Single	160	2600	UNU2600C160WSD	UF2	5.98	2.83		152	72.0	132	
120 to 277	32 to 54V	Single	160	3000	UNC3000C160WSD	UF2	5.98	2.83		152	72.0	132	
120 to 277	29 to 48V	Single	160	3300	UNU3300C160WSD	UF2	5.98	2.83		152	72.0	132	
120 to 277	36 to 60V	Single	240	4000	UNU4000C240WSD	UF3	7.16	2.83		182	72.0	162	
120 to 277	28 to 46V	Single	200	4300	UNU4300C200WSD	UF2	5.98	2.83		152	72.0	132	
120 to 277	33 to 56V	Single	240	4300	UNU4300C240WSD	UF3	7.16	2.83		182	72.0	162	
120 to 277	22 to 36V	Single	160	4500	UNU4500C160WSD	UF2	5.98	2.83		152	72.0	132	
120 to 277	32 to 54V	Single	240	4500	UNU4500C240WSD	UF3	7.16	2.83		182	72.0	162	
120 to 277	29 to 48V	Single	240	5000	UNU5000C240WSD	UF3	7.16	2.83		182	72.0	162	
120 to 277	22 to 36V	Single	240	6700	UNU6700C240WSD	UF3	7.16	2.83		182	72.0	162	

## FIXED CURRENT LED DRIVERS INDEX - CE MODELS

### Fixed Current 0 - 10V Dimming CE 220-240V

INPUT VOLTAGE	OUTPUT VOLTAGE	OUTPUT CIRCUIT	OUTPUT WATTS	OUTPUT CURRENT mA	SAGE Model Number	CASE SERIES	CASE SIZE Inches			CASE SIZE mm			
							L	W	H	L	W	H	ML
220 to 240	25 to 42V	Single	44	1050	NE1050C44WSD	CH4U	6.22	1.73	1.22	158	44	31	149

# Sage

## **347V Programmable LED Drivers**

### **Dimming Range 1-100%**

Sage 347V Programmable drivers are simple to use, easy to program and do not require powering up or wiring to be programmed. These drivers offer increased productivity and flexibility for the Fixture Manufacturers to design a wide range of luminaires utilizing various light sources available to them while maintaining the lowest level of inventory possible.

It is also easy to combine into common dimming systems accessible in commercial applications. Pre-Programming is available to facilitate large production needs.

These Programmable drivers are also available in 120-277V Input voltage and at 15W to 98W 0-10V Dimming. Dimming Range is available at 1-100%, 5-100% and 10-100%.

Output Current: from 100mA to 2750mA



# 347V LED DRIVER Programmable 15W 0-10V Dimming

## 1-100% Output Range 15V to 55V Current 100mA to 700mA Max 15W

Small Case Size with leads

347V Electronic **Programmable (NFC)** LED Driver 0-10V Dimming **1-100%**. Output Range of 15V to 55V for Single circuit 15W maximum.

### Technical Specification:

Class 2 UL, CUL Recognized, ROHS Compliant  
 EMI FCC Part 15, Class A  
 Rating: TL IP 64 Damp, Dry  
 Output Open/Short Protection  
 Min. Starting Temp: - 40° C  
 Max. Case Temp: 90° C  
 Typical Efficiency 70%

Input Voltage range: **± 10%**  
 Output Load range: **± 5%**  
 Input Frequency: **50/60HZ**  
 THD: **< 20%**  
 Power Factor Min: **0.90**  
 Remote Wiring Distance Full Load: **18AWG -18 ft**

Case Size: Series C1U

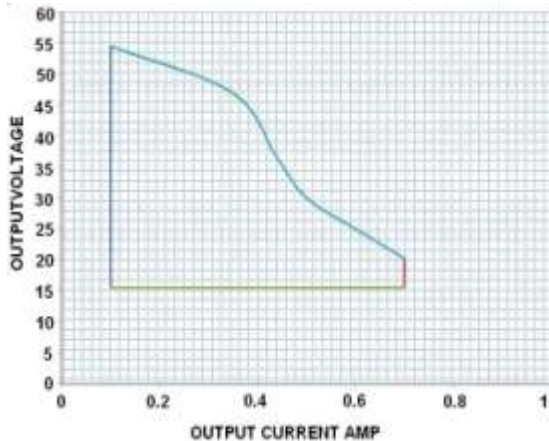
Due to continuing efforts to offer improved products all specifications are subject to change without prior notice

1/7/22

INPUT VOLTAGE	INPUT CURRENT	INPUT WATTS	OUTPUT POWER WATTS MAX	OUTPUT VOLTAGE	OUTPUT CURRENT AMPS	MODEL
347	0.097A	21	15	15 to 55V	0.1 - 0.7A	PC700C15WSD1

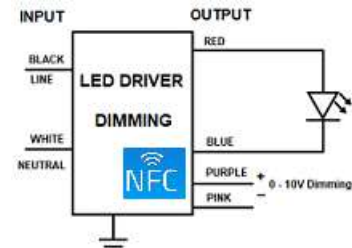
#### LIMITED WARRANTY

5 YEAR at maximum case temperature 75 deg C. 3 YEAR at maximum case temperature 90 deg C. Manufacturer warrants to the purchaser: Product will be free from defects in material or workmanship from the date of manufacture conditioned upon proper storage, installation, use, and maintenance and conformance with any recommendations of Manufacturer



#### Lead Length

Colour	inc	cm
Black	6	15.2
White	6	15.2
Blue	6	15.2
Red	6	15.2
Pink	7.1	18
Purple	7.1	18



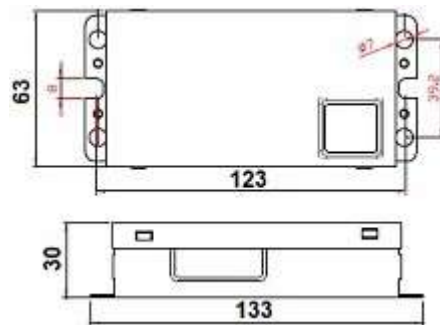
Place the Programmable Wand above the NFC Mark on LED Driver to begin Programming  
 LED Case Should be Grounded

#### Case Size Series C1U

L	W	H	ML
133	63	30	123mm
5.23	2.48	1.18	4.84inch

#### 0-10V Dimmer Compatibility Chart

LUTRON	LEVITON
NFTV	DS710-10Z
DVTV-WH	



**WARNING:** Always Disconnect Power Before Handling. Case Should be Grounded. Install in Accordance with National and Local Electrical Codes

# 347V LED DRIVER Programmable 15W 0-10V Dimming

**1-100%** Output Range 15V to 55V Current **100mA** to **700mA** Max **15W**

Small Case Size - Bottom Mount Studs with leads No Mounting Flange

347V Electronic **Programmable (NFC)** LED Driver 0-10V Dimming 1-100%. Output Range of 15V to 55V for Single circuit 15W maximum.

## Technical Specification:

Class 2 UL, CUL Recognized, ROHS Compliant

EMI FCC Part 15, Class A

Rating: TL IP 64 Damp, Dry

Output Open/Short Protection

Min. Starting Temp: - 40° C

Max. Case Temp: 90° C

Typical Efficiency 70%

Input Voltage range:  $\pm 10\%$

Output Load range:  $\pm 5\%$

Input Frequency: 50/60HZ

THD: < 20%

Power Factor Min: 0.90

Remote Wiring Distance Full Load: 18AWG -18 ft

Bottom Mount Studs No Mounting Flange

**Case Size: Series C1B**

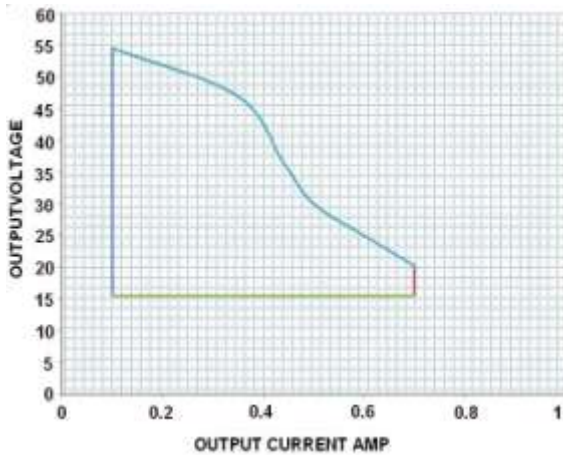
Due to continuing efforts to offer improved products all specifications are subject to change without prior notice

2/6/22

INPUT VOLTAGE	INPUT CURRENT	INPUT WATTS	OUTPUT POWER WATTS MAX	OUTPUT VOLTAGE	OUTPUT CURRENT AMPS	MODEL
347	0.097A	21	15	15 to 55V	0.1 - 0.7A	<b>PC700C15WSBD1</b>

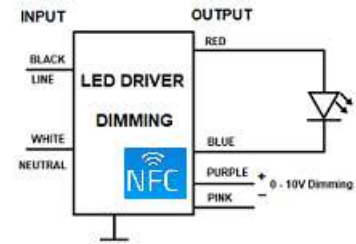
### LIMITED WARRANTY

5 YEAR at maximum case temperature 75 deg C. 3 YEAR at maximum case temperature 90 deg C. Manufacturer warrants to the purchaser: Product will be free from defects in material or workmanship from the date of manufacture conditioned upon proper storage, installation, use, and maintenance and conformance with any recommendations of Manufacturer



**Lead Length**

Colour	inc	cm
Black	6	15.2
White	6	15.2
Blue	6	15.2
Red	6	15.2
Pink	7.1	18
Purple	7.1	18



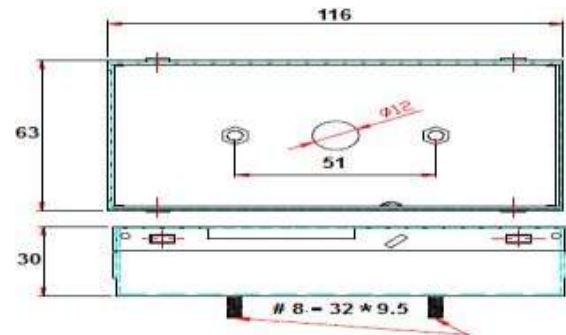
Place the Programmable Wand above the NFC Mark on LED Driver to begin Programming  
LED Case Should be Grounded

### Case Size Series C1B

L	W	H
116	63	30mm
4.56	2.48	1.18inch

### 0-10V Dimmer Compatibility Chart

LUTRON	LEVITON
NFTV	DS710-10Z
DVTV-WH	



**WARNING:** Always Disconnect Power Before Handling. Case Should be Grounded. Install in Accordance with National and Local Electrical Codes

901 - 3rd Street West, North Vancouver, BC V7P 3P9 Canada

TEL: 604-904-9533

www.sagedrivers.com www.sagelighting.com

*Sage  
Lighting Ltd.*



# 347V LED DRIVER Programmable 30W 0-10V Dimming

## 1-100% Output Range 15V to 55V Current 350mA to 1250mA Max 30W

Small Case Size - Bottom Mount Studs with leads No Mounting Flange

347V Electronic **Programmable (NFC)** LED Driver 0-10V Dimming 1-100%. Output Range of 15V to 55V for Single circuit 30W maximum.

### Technical Specification:

Class 2 UL, CUL Recognized, ROHS Compliant  
 EMI FCC Part 15, Class A  
 Rating: TL IP 64 Damp, Dry  
 Output Open/Short Protection  
 Min. Starting Temp: 0° C  
 Max. Case Temp: 90° C  
 Typical Efficiency 85%

Input Voltage range:  $\pm 10\%$   
 Output Load range:  $\pm 5\%$   
 Input Frequency: 50/60HZ  
 THD: < 20%  
 Power Factor Min: 0.90  
 Remote Wiring Distance Full Load: 18AWG -18 ft  
 Bottom Mount Studs No Mounting Flange

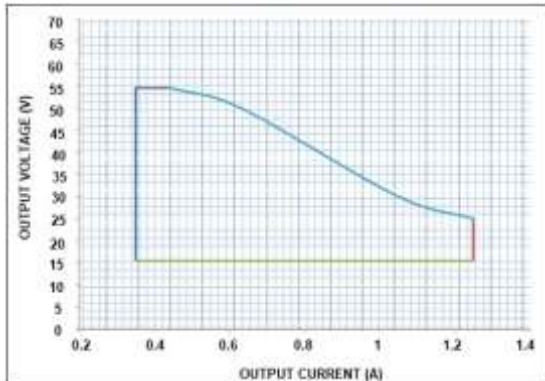
**Case Size: Series C1B**

Due to continuing efforts to offer improved products all specifications are subject to change without prior notice 4/7/22

INPUT VOLTAGE	INPUT CURRENT	INPUT WATTS	OUTPUT POWER WATTS MAX	OUTPUT VOLTAGE	OUTPUT CURRENT AMPS	MODEL
347	0.1A	37	30	15 to 55V	0.35 - 1.25A	PC1250C30WSB-D1

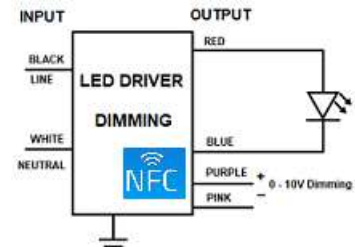
#### LIMITED WARRANTY

5 YEAR at maximum case temperature 75 deg C. 3 YEAR at maximum case temperature 90 deg C. Manufacturer warrants to the purchaser: Product will be free from defects in material or workmanship from the date of manufacture conditioned upon proper storage, installation, use, and maintenance and conformance with any recommendations of Manufacturer



#### Lead Length

Colour	inc	cm
Black	6	15.2
White	6	15.2
Blue	6	15.2
Red	6	15.2
Pink	7.1	18
Purple	7.1	18



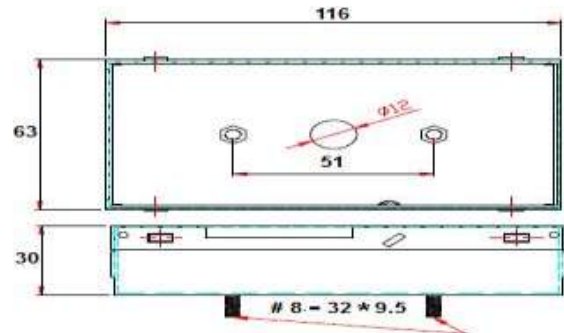
Place the Programmable Wand above the NFC Mark on LED Driver to begin Programming  
 LED Case Should be Grounded

#### Case Size Series C1B

L	W	H
116	63	30mm
4.56	2.48	1.18inch

#### 0-10V Dimmer Compatibility Chart

LUTRON	LEVITON
NFTV	DS710-10Z
DVTV-WH	



**WARNING:** Always Disconnect Power Before Handling. Case Should be Grounded. Install in Accordance with National and Local Electrical Codes

# 347V LED DRIVER Programmable 30W 0-10V Dimming

## 1-100% Output Range 15V to 55V Current 350mA to 1250mA Max 30W

Small Case Size with Side leads

347V Electronic **Programmable (NFC)** LED Driver 0-10V Dimming 1-100%. Output Range of 15V to 55V for Single circuit 30W maximum.

### Technical Specification:

Class 2 UL, CUL Recognized, ROHS Compliant  
 EMI FCC Part 15, Class A  
 Rating: TL IP 64 Damp, Dry  
 Output Open/Short Protection  
 Min. Starting Temp: 0° C  
 Max. Case Temp: 90° C  
 Typical Efficiency 85%

Input Voltage range:  $\pm 10\%$   
 Output Load range  $\pm 5\%$   
 Input Frequency: 50/60HZ  
 THD: < 20%  
 Power Factor Min: 0.90  
 Remote Wiring Distance Full Load: 18AWG -18 ft

**Case Size: Series C1U**

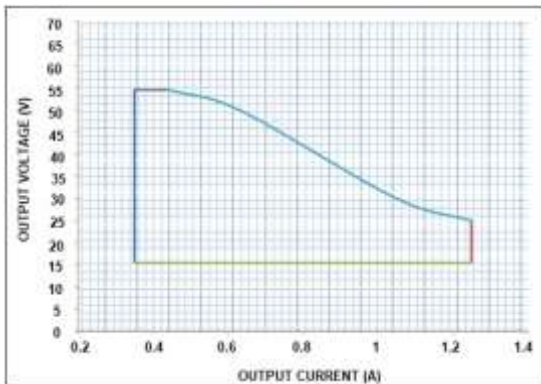
Due to continuing efforts to offer improved products all specifications are subject to change without prior notice

4/7/22

INPUT VOLTAGE	INPUT CURRENT	INPUT WATTS	OUTPUT POWER WATTS MAX	OUTPUT VOLTAGE	OUTPUT CURRENT AMPS	MODEL
347	0.1A	37	30	15 to 55V	0.35 - 1.25A	<b>PC1250C30WS-D1</b>

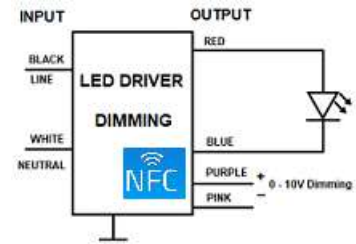
#### LIMITED WARRANTY

5 YEAR at maximum case temperature 75 deg C. 3 YEAR at maximum case temperature 90 deg C. Manufacturer warrants to the purchaser: Product will be free from defects in material or workmanship from the date of manufacture conditioned upon proper storage, installation, use, and maintenance and conformance with any recommendations of Manufacturer



#### Lead Length

Colour	inc	cm
Black	6	15.2
White	6	15.2
Blue	6	15.2
Red	6	15.2
Pink	7.1	18
Purple	7.1	18



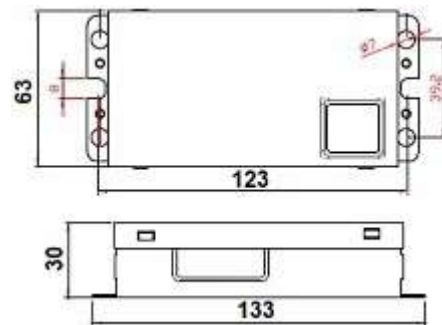
Place the Programmable Wand above the NFC Mark on LED Driver to begin Programming  
 LED Case Should be Grounded

#### Case Size Series C1U

L	W	H	ML
133	63	30	123mm
5.23	2.48	1.18	4.84inch

#### 0-10V Dimmer Compatibility Chart

LUTRON	LEVITON
NFTV	DS710-10Z
DVTV-WH	



**WARNING:** Always Disconnect Power Before Handling. Case Should be Grounded. Install in Accordance with National and Local Electrical Codes

# 347V LED DRIVER Programmable 30W 0-10V Dimming

## 1-100% Output Range 15V to 55V Current 350mA to 1250mA Max 30W

Low Profile Slim Case Size with Terminal Blocks

347V Electronic **Programmable (NFC)** LED Driver 0-10V Dimming 1-100%. Output Range of 15V to 55V for Single circuit 30W maximum.

### Technical Specification:

Class 2 UL, CUL Recognized, ROHS Compliant  
EMI FCC Part 15, Class A

Rating: TL IP 30 Damp, Dry  
Output Open/Short Protection  
Min. Starting Temp: 0° C  
Max. Case Temp: 90° C  
Typical Efficiency 82%

Input Voltage range:  $\pm 10\%$   
Output Load range  $\pm 5\%$   
Input Frequency: 50/60HZ  
THD: < 20%  
Power Factor Min: 0.90  
Remote Wiring Distance Full Load: 18AWG -18 ft  
Terminal Blocks

**Case Size: Series E13**

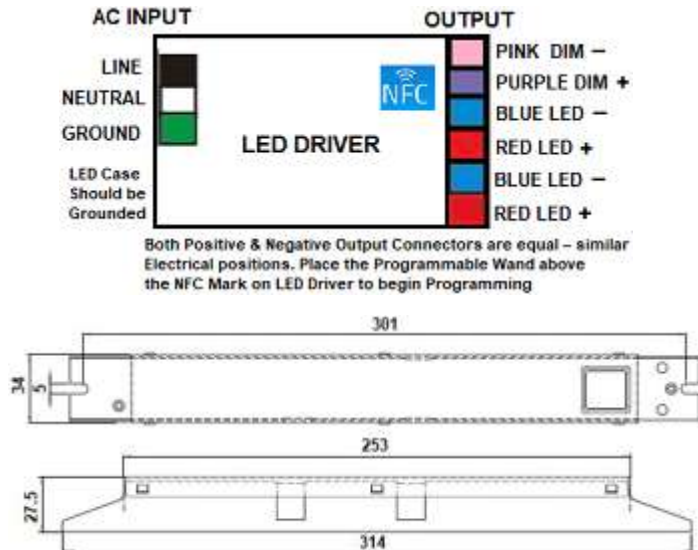
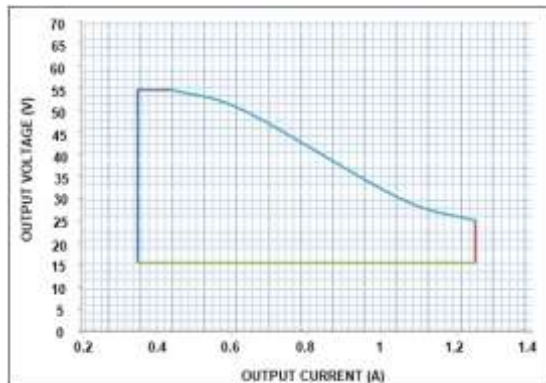
Due to continuing efforts to offer improved products all specifications are subject to change without prior notice

4/7/22

INPUT VOLTAGE	INPUT CURRENT	INPUT WATTS	OUTPUT POWER WATTS MAX	OUTPUT VOLTAGE	OUTPUT CURRENT AMPS	MODEL
347	0.1A	37	30	15 to 55V	0.35 - 1.25A	<b>PC1250C30WSD1-E13</b>

#### LIMITED WARRANTY

5 YEAR at maximum case temperature 75 deg C. 3 YEAR at maximum case temperature 90 deg C. Manufacturer warrants to the purchaser: Product will be free from defects in material or workmanship from the date of manufacture conditioned upon proper storage, installation, use, and maintenance and conformance with any recommendations of Manufacturer



#### 0-10V Dimmer Compatibility Chart

LUTRON	LEVITON
NFTV	DS710-10Z
DVTV-WH	

#### Case Size Series E13

L	W	H	ML
314	34	27.5	301mm
12.36	1.34	1.08	11.85inch

**WARNING:** Always Disconnect Power Before Handling. Case Should be Grounded. Install in Accordance with National and Local Electrical Codes

# 347V LED DRIVER Programmable 40W 0-10V Dimming

## 1-100% Output Range 15V to 55V Current 400mA to 1400mA Max 40W

Low Profile Slim Case Size with Terminal Blocks

347V Electronic **Programmable (NFC)** LED Driver 0-10V Dimming 1-100%. Output Range of 15V to 55V for Single circuit 40W maximum.

### Technical Specification:

Class 2 UL, CUL Recognized, ROHS Compliant  
 EMI FCC Part 15, Class A  
 Rating: TL IP 30 Damp  
 Output Open/Short Protection  
 Min. Starting Temp: 0° C  
 Max. Case Temp: 90° C  
 Typical Efficiency 88%

Input Voltage range:  $\pm 10\%$   
 Output Load range:  $\pm 5\%$   
 Input Frequency: 50/60HZ  
 THD: < 20%  
 Power Factor Min: 0.90  
 Remote Wiring Distance Full Load: 18AWG -18 ft  
 Terminal Blocks

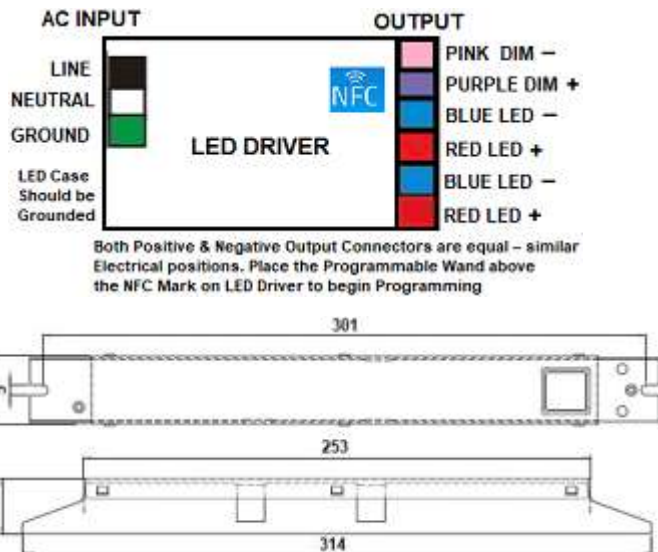
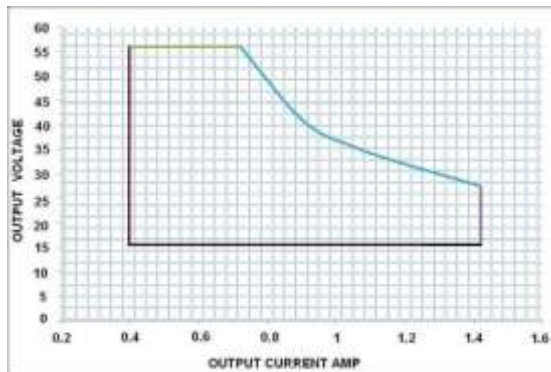
**Case Size: Series E13**

Due to continuing efforts to offer improved products all specifications are subject to change without prior notice 4/7/22

INPUT VOLTAGE	INPUT CURRENT	INPUT WATTS	OUTPUT POWER WATTS MAX	OUTPUT VOLTAGE	OUTPUT CURRENT AMPS	MODEL
347	0.143A	47	40	15 to 55V	0.4 - 1.4A	PC1400C40WSD1-E13

#### LIMITED WARRANTY

5 YEAR at maximum case temperature 75 deg C. 3 YEAR at maximum case temperature 90 deg C. Manufacturer warrants to the purchaser: Product will be free from defects in material or workmanship from the date of manufacture conditioned upon proper storage, installation, use, and maintenance and conformance with any recommendations of Manufacturer



#### 0-10V Dimmer Compatibility Chart

LUTRON	LEVITON
NFTV	DS710-10Z
DVTV-WH	

#### Case Size Series E13

L	W	H	ML
314	34	27.5	301mm
12.36	1.34	1.08	11.85inch

**WARNING:** Always Disconnect Power Before Handling. Case Should be Grounded. Install in Accordance with National and Local Electrical Codes

# 347V LED DRIVER Programmable 50W 0-10V Dimming

## 1-100% Output Range 15V to 55V Current 400mA to 1400mA Max 50W

Low Profile Slim Case Size with Terminal Blocks

347V Electronic **Programmable (NFC)** LED Driver 0-10V Dimming Range 1-100%. Output Range of 15V to 55V for Single circuit 50W maximum.

### Technical Specification:

Class 2 UL, CUL Recognized, ROHS Compliant  
 EMI FCC Part 15, Class A  
 Rating: TL IP 30 Damp  
 Output Open/Short Protection  
 Min. Starting Temp: 0° C  
 Max. Case Temp: 90° C  
 Typical Efficiency 88%

Input Voltage range:  $\pm 10\%$   
 Output Load range:  $\pm 5\%$   
 Input Frequency: 50/60HZ  
 THD: < 20%  
 Power Factor Min: 0.90  
 Remote Wiring Distance Full Load: 18AWG -18 ft  
 Terminal Blocks

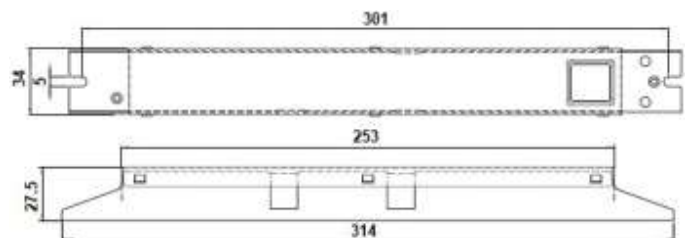
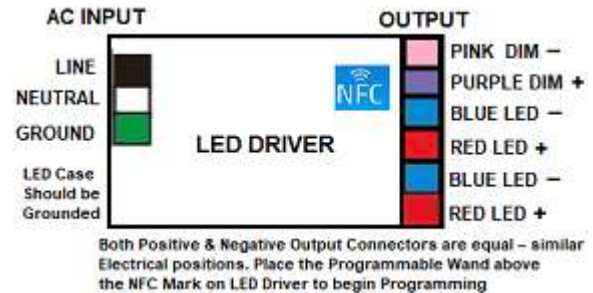
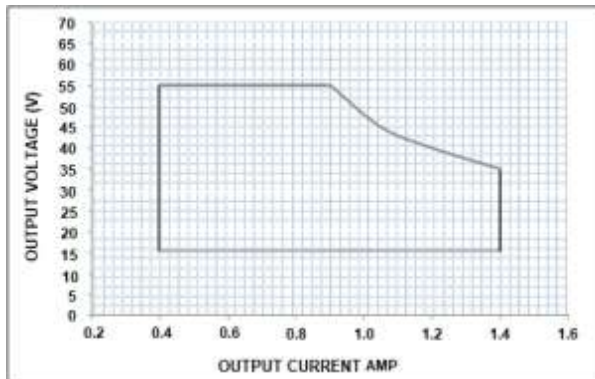
Case Size: Series E13

Due to continuing efforts to offer improved products all specifications are subject to change without prior notice 1/7/22

INPUT VOLTAGE	INPUT CURRENT	INPUT WATTS	OUTPUT POWER WATTS MAX	OUTPUT VOLTAGE	OUTPUT CURRENT AMPS	MODEL
347	0.16A	59	50	15 to 55V	0.4 - 1.4A	PC1400C50WSD1-E13

#### LIMITED WARRANTY

5 YEAR at maximum case temperature 75 deg C. 3 YEAR at maximum case temperature 90 deg C. Manufacturer warrants to the purchaser: Product will be free from defects in material or workmanship from the date of manufacture conditioned upon proper storage, installation, use, and maintenance and conformance with any recommendations of Manufacturer



#### 0-10V Dimmer Compatibility Chart

LUTRON	LEVITON
NFTV	DS710-10Z
DVTV-WH	

#### Case Size Series E13

L	W	H	ML
314	34	27.5	301mm
12.36	1.34	1.08	11.85inch

**WARNING:** Always Disconnect Power Before Handling. Case Should be Grounded. Install in Accordance with National and Local Electrical Codes

# 347V LED DRIVER Programmable 50W 0-10V Dimming

## 1-100% Output Range 15V to 55V Current 400mA to 1400mA Max 50W

Small Case Size - Bottom Mount Studs with leads No Mounting Flange

347V Electronic **Programmable (NFC)** LED Driver 0-10V Dimming 1-100%. Output Range of 15V to 55V for Single circuit 50W maximum.

### Technical Specification:

Class 2 UL, CUL Recognized, ROHS Compliant  
 EMI FCC Part 15, Class A  
 Rating: TL IP 64 Damp  
 Output Open/Short Protection  
 Min. Starting Temp: 0° C  
 Max. Case Temp: 90° C  
 Typical Efficiency 85%

Input Voltage range:  $\pm 10\%$   
 Output Load range  $\pm 5\%$   
 Input Frequency: 50/60HZ  
 THD: < 20%  
 Power Factor Min: 0.90  
 Remote Wiring Distance Full Load: 18AWG -18 ft  
 Bottom Mount Studs

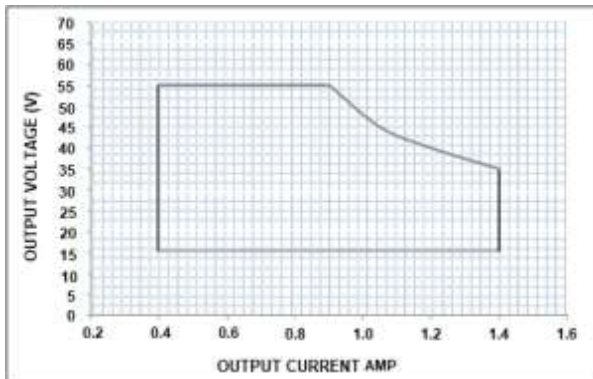
Case Size: Series C1B

Due to continuing efforts to offer improved products all specifications are subject to change without prior notice 4/6/22

INPUT VOLTAGE	INPUT CURRENT	INPUT WATTS	OUTPUT POWER WATTS MAX	OUTPUT VOLTAGE	OUTPUT CURRENT AMPS	MODEL
347	0.17A	60	50	15 to 55V	0.4 - 1.4A	PC1400C50WSB-D1

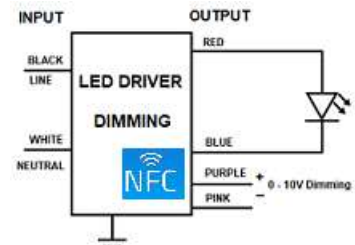
#### LIMITED WARRANTY

5 YEAR at maximum case temperature 75 deg C. 3 YEAR at maximum case temperature 90 deg C. Manufacturer warrants to the purchaser: Product will be free from defects in material or workmanship from the date of manufacture conditioned upon proper storage, installation, use, and maintenance and conformance with any recommendations of Manufacturer



#### Lead Length

Colour	inc	cm
Black	6	15.2
White	6	15.2
Blue	6	15.2
Red	6	15.2
Pink	7.1	18
Purple	7.1	18



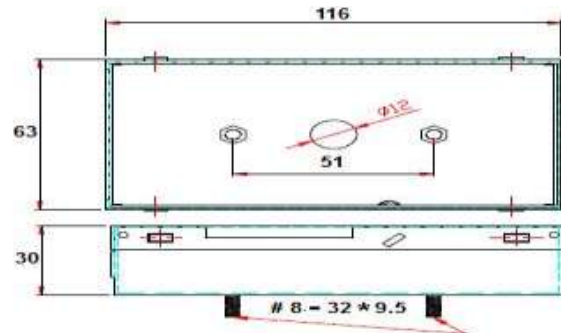
Place the Programmable Wand above the NFC Mark on LED Driver to begin Programming  
 LED Case Should be Grounded

Case Size Series C1B

L	W	H
116	63	30mm
4.56	2.48	1.18inch

#### 0-10V Dimmer Compatibility Chart

LUTRON	LEVITON
NFTV	DS710-10Z
DVTV-WH	



**WARNING:** Always Disconnect Power Before Handling. Case Should be Grounded. Install in Accordance with National and Local Electrical Codes

# 347V LED DRIVER Programmable 50W 0-10V Dimming

## 1-100% Output Range 15V to 55V Current 400mA to 1400mA Max 50W

Small Case Size with leads

347V Electronic **Programmable (NFC)** LED Driver 0-10V Dimming 1-100%. Output Range of 15V to 55V for Single circuit 50W maximum.

### Technical Specification:

Class 2 UL, CUL Recognized, ROHS Compliant  
 EMI FCC Part 15, Class A  
 Rating: TL IP 64 Damp  
 Output Open/Short Protection  
 Min. Starting Temp: 0° C  
 Max. Case Temp: 90° C  
 Typical Efficiency 85%

Input Voltage range:  $\pm 10\%$   
 Output Load range  $\pm 5\%$   
 Input Frequency: 50/60HZ  
 THD: < 20%  
 Power Factor Min: 0.90  
 Remote Wiring Distance Full Load: 18AWG -18 ft

Case Size: Series C1U

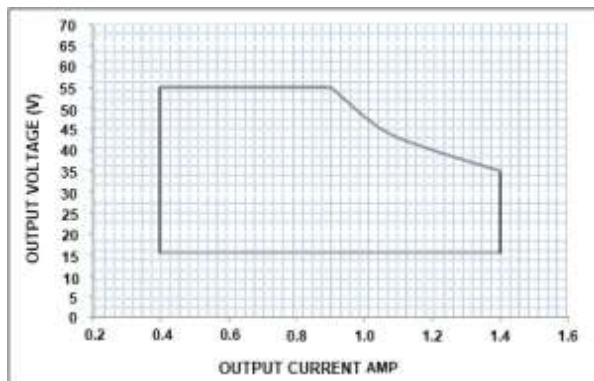
Due to continuing efforts to offer improved products all specifications are subject to change without prior notice

4/7/22

INPUT VOLTAGE	INPUT CURRENT	INPUT WATTS	OUTPUT POWER WATTS MAX	OUTPUT VOLTAGE	OUTPUT CURRENT AMPS	MODEL
347	0.17A	60	50	15 to 55V	0.4 - 1.4A	PC1400C50WS-D1

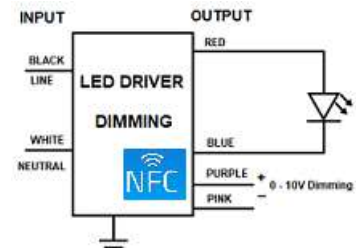
#### LIMITED WARRANTY

5 YEAR at maximum case temperature 75 deg C. 3 YEAR at maximum case temperature 90 deg C. Manufacturer warrants to the purchaser: Product will be free from defects in material or workmanship from the date of manufacture conditioned upon proper storage, installation, use, and maintenance and conformance with any recommendations of Manufacturer



#### Lead Length

Colour	inc	cm
Black	6	15.2
White	6	15.2
Blue	6	15.2
Red	6	15.2
Pink	7.1	18
Purple	7.1	18



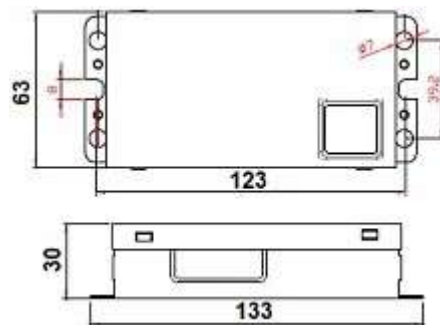
Place the Programmable Wand above the NFC Mark on LED Driver to begin Programming  
 LED Case Should be Grounded

Case Size Series C1U

L	W	H	ML
133	63	30	123mm
5.23	2.48	1.18	4.84inch

0-10V Dimmer Compatibility Chart

LUTRON	LEVITON
NFTV	DS710-10Z
DVTV-WH	



**WARNING:** Always Disconnect Power Before Handling. Case Should be Grounded. Install in Accordance with National and Local Electrical Codes

# 347V LED DRIVER Programmable 50W 0-10V Dimming

## 1-100% Output Range 15V to 55V Current 400mA to 1400mA Max 50W

Small Case Size with Side leads for use with External Thermal Device 12V DC 100mA

347V Electronic **Programmable (NFC)** LED Driver 0-10V Dimming **1-100%**. Output Range of 15V to 55V for Single circuit 50W maximum.

### Technical Specification:

Class 2 UL, CUL Recognized, ROHS Compliant  
 EMI FCC Parts 18, Subparts C, Class A  
 Rating: TL IP 64 Damp  
 Output Open/Short Protection  
 Min. Starting Temp: 0° C  
 Max. Case Temp: 90° C  
 Typical Efficiency 85%

Input Voltage range:  $\pm 10\%$   
 Output Load range  $\pm 5\%$   
 Input Frequency: 50/60HZ  
 THD: < 20%  
 Power Factor Min: 0.90  
 Remote Wiring Distance Full Load: 18AWG -18 ft

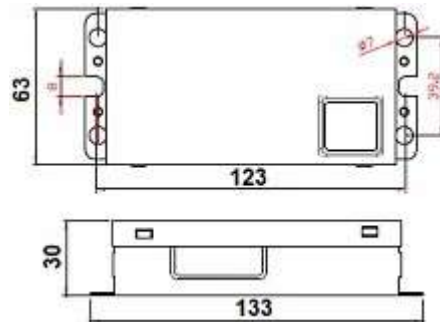
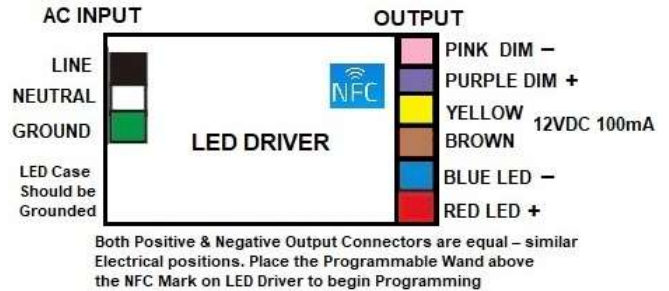
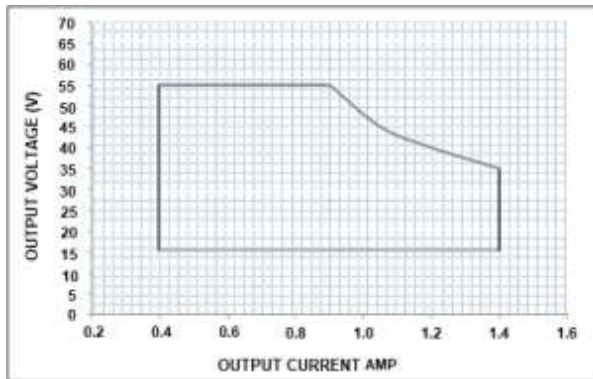
Case Size: Series C1U

Due to continuing efforts to offer improved products all specifications are subject to change without prior notice

INPUT VOLTAGE	INPUT CURRENT	INPUT WATTS	OUTPUT POWER WATTS MAX	OUTPUT VOLTAGE	OUTPUT CURRENT AMPS	MODEL
347	0.17A	59	50	15 to 55V	0.4 - 1.4A	PC1400C50WD1F

#### LIMITED WARRANTY

5 YEAR at maximum case temperature 75 deg C. 3 YEAR at maximum case temperature 90 deg C. Manufacturer warrants to the purchaser: Product will be free from defects in material or workmanship from the date of manufacture conditioned upon proper storage, installation, use, and maintenance and conformance with any recommendations of Manufacturer



#### 0-10V Dimmer Compatibility Chart

Case Size Series C1U			
L	W	H	ML
133	63	30	123mm
5.23	2.48	1.18	4.84inch

LUTRON	LEVITON
NFTV	DS710-10Z
DVTV-WH	

**WARNING:** Always Disconnect Power Before Handling. Case Should be Grounded. Install in Accordance with National and Local Electrical Codes



# 347V LED DRIVER Programmable 60W 0-10V Dimming

## 1-100% Output Range 27V to 55V Current 700mA to 1400mA Max 60W

Slim Case Size with Terminal Blocks

347V Electronic **Programmable (NFC)** LED Driver 0-10V Dimming 1-100%. Output Range of 27V to 55V for Single circuit 60W maximum.

### Technical Specification:

Class 2 UL, CUL Recognized, ROHS Compliant  
 EMI FCC Part 15, Class A  
 Rating: TL IP 30 Damp, Dry  
 Output Open/Short Protection  
 Min. Starting Temp: 0° C  
 Max. Case Temp: 90° C  
 Typical Efficiency 87%

Input Voltage range:  $\pm 10\%$   
 Output Load range  $\pm 5\%$   
 Input Frequency: 50/60HZ  
 THD: < 20%  
 Power Factor Min: 0.90  
 Remote Wiring Distance Full Load: 18AWG -18 ft  
 Terminal Blocks

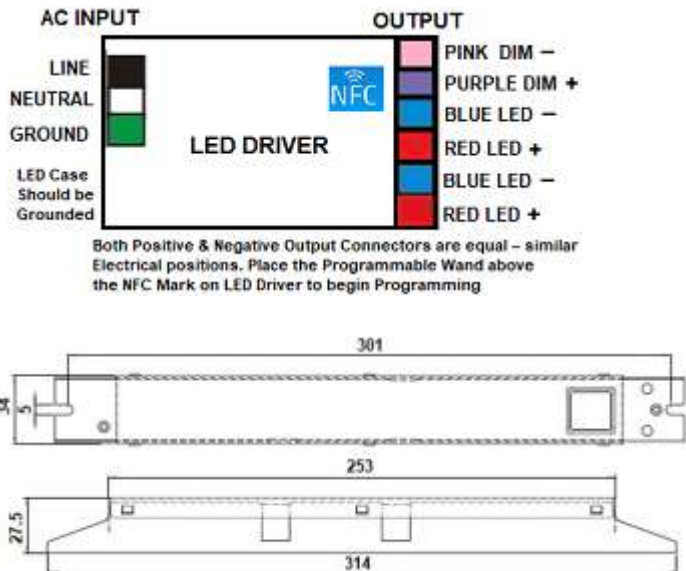
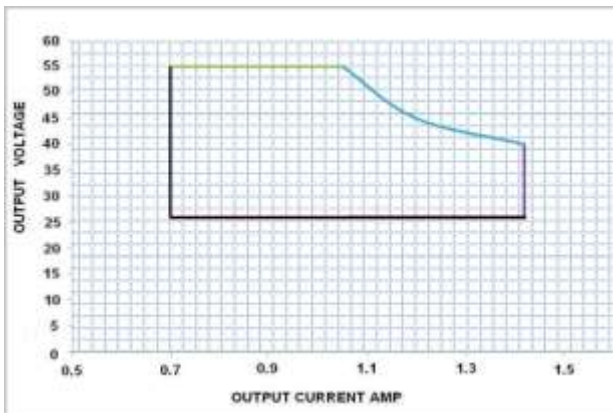
Case Size: Series E13

Due to continuing efforts to offer improved products all specifications are subject to change without prior notice 2/7/22

INPUT VOLTAGE	INPUT CURRENT	INPUT WATTS	OUTPUT POWER WATTS MAX	OUTPUT VOLTAGE	OUTPUT CURRENT AMPS	MODEL
347	0.2	69	60	27 to 55V	0.7 - 1.4A	PC1400C60WS-D1

#### LIMITED WARRANTY

5 YEAR at maximum case temperature 75 deg C. 3 YEAR at maximum case temperature 90 deg C. Manufacturer warrants to the purchaser: Product will be free from defects in material or workmanship from the date of manufacture conditioned upon proper storage, installation, use, and maintenance and conformance with any recommendations of Manufacturer



#### 0-10V Dimmer Compatibility Chart

LUTRON	LEVITON
NFTV	DS710-10Z
DVTV-WH	

#### Case Size Series E13

L	W	H	ML
314	34	27.5	301mm
12.36	1.34	1.08	11.85inch

**WARNING:** Always Disconnect Power Before Handling. Case Should be Grounded. Install in Accordance with National and Local Electrical Codes

# 347V LED DRIVER Programmable 60W 0-10V Dimming

## 1-100% Output Range 27V to 55V Current 700mA to 1400mA Max 60W

Small Case Size with Leads

347V Electronic **Programmable (NFC)** LED Driver 0-10V Dimming **1-100%**. Output Range of 27V to 55V for Single circuit 60W maximum.

### Technical Specification:

Class 2 UL, CUL Recognized, ROHS Compliant  
 EMI FCC Part 15, Class A  
 Rating: TL IP 64 Damp  
 Output Open/Short Protection  
 Min. Starting Temp: 0° C  
 Max. Case Temp: 90° C  
 Typical Efficiency 87%

Input Voltage range:  $\pm 10\%$   
 Output Load range:  $\pm 5\%$   
 Input Frequency: 50/60HZ  
 THD: < 20%  
 Power Factor Min: 0.90  
 Remote Wiring Distance Full Load: 18AWG -18 ft

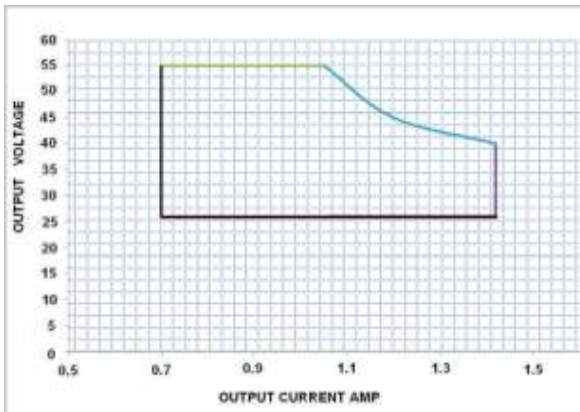
Case Size: Series MU2

Due to continuing efforts to offer improved products all specifications are subject to change without prior notice 2/5/23

INPUT VOLTAGE	INPUT CURRENT	INPUT WATTS	OUTPUT POWER WATTS MAX	OUTPUT VOLTAGE	OUTPUT CURRENT AMPS	MODEL
347	0.2A	69	60	27 to 55V	0.7 - 1.4A	PC1400C60WRS D1

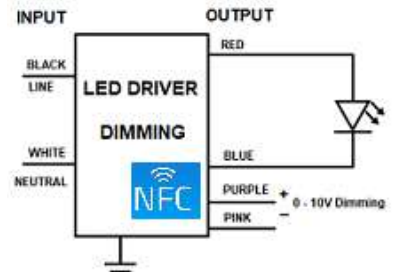
#### LIMITED WARRANTY

5 YEAR at maximum case temperature 75 deg C. 3 YEAR at maximum case temperature 90 deg C. Manufacturer warrants to the purchaser: Product will be free from defects in material or workmanship from the date of manufacture conditioned upon proper storage, installation, use, and maintenance and conformance with any recommendations of Manufacturer



#### Lead Length

Colour	inc	cm
Black	6	15.2
White	6	15.2
Blue	6	15.2
Red	6	15.2
Pink	7.1	18
Purple	7.1	18



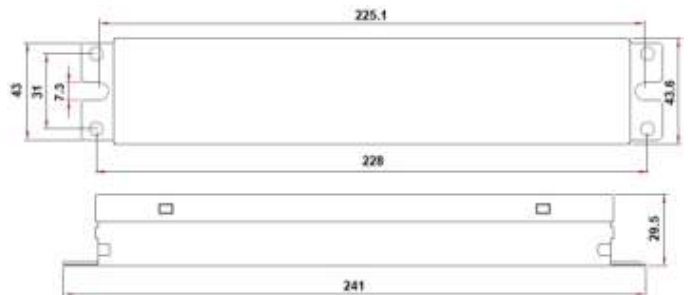
Place the Programmable Wand above the NFC Mark on LED Driver to begin Programming LED Case Should be Grounded

#### Case Size Series MU2

L	W	H	ML
241	43	29.5	226mm
9.5	1.7	1.2	8.9 inch

#### 0-10V Dimmer Compatibility Chart

LUTRON	LEVITON
NFTV	DS710-10Z
DVTV-WH	



**WARNING:** Always Disconnect Power Before Handling. Case Should be Grounded. Install in Accordance with National and Local Electrical Codes

# Sage

## **347V Programmable LED Drivers** **Dimming Range 5-100%**

Sage 347V Programmable drivers are simple to use, easy to program and do not require powering up or wiring to be programmed. These drivers offer increased productivity and flexibility for the Fixture Manufacturers to design a wide range of luminaires utilizing various light sources available to them while maintaining the lo West level of inventory possible.

It is also easy to combine into common dimming systems accessible in commercial applications. Pre-Programming is available to facilitate large production needs.

These Programmable drivers are also available in 120-277V Input voltage and at 15W to 98W 0-10V Dimming. Dimming Range is available at 1-100%, 5-100% and 10-100%.

Output Current: from 100mA to 2750mA



# 347V LED DRIVER Programmable 80W 0-10V Dimming

Output Range of 27V to 55V Current 1050mA to 2100mA Max 80W  
Low Profile Slim Case Size with Terminal Blocks

347V Electronic **Programmable (NFC)** LED Driver 0-10V Dimming **5-100%**. Output Range of 27V to 55V for Single circuit 80W maximum.

## Technical Specification:

Class 2 UL, CUL Recognized, ROHS Compliant  
EMI FCC Part 15, Class A  
Rating: TL IP 30 Damp  
Output Open/Short Protection  
Min. Starting Temp: 0° C  
Max. Case Temp: 90° C  
Typical Efficiency 87%

Input Voltage range:  $\pm 10\%$   
Output Load range  $\pm 5\%$   
Input Frequency: 50/60HZ  
THD: < 20%  
Power Factor Min: 0.90  
Remote Wiring Distance Full Load: 18AWG -18 ft  
Terminal Blocks

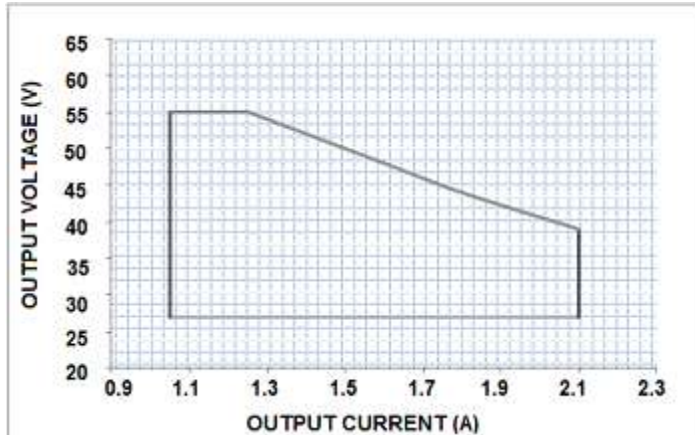
**Case Size: Series E14**

Due to continuing efforts to offer improved products all specifications are subject to change without prior notice 2/7/22

INPUT VOLTAGE	INPUT CURRENT	INPUT WATTS	OUTPUT POWER WATTS MAX	OUTPUT VOLTAGE	OUTPUT CURRENT AMPS	MODEL
347	0.26A	89	80	27 to 55V	1.05 - 2.1A	<b>PC2100C80WS-D5</b>

### LIMITED WARRANTY

5 YEAR at maximum case temperature 75 deg C. 3 YEAR at maximum case temperature 90 deg C. Manufacturer warrants to the purchaser: Product will be free from defects in material or workmanship from the date of manufacture conditioned upon proper storage, installation, use, and maintenance and conformance with any recommendations of Manufacturer



### 0-10V Dimmer Compatibility Chart

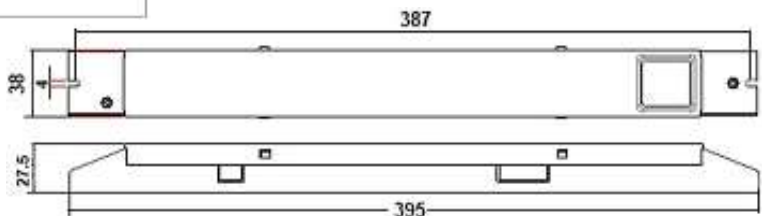
LUTRON	LEVITON
NFTV	DS710-10Z
DVTV-WH	

### Case Size Series E14

L	W	H	ML
395	38	27.5	387mm
15.5	1.49	1.08	15.23inch



Both Positive & Negative Output Connectors are equal - similar electrical position  
Place the Programmable wand above the NFC Mark on the LED Driver to start programming



**WARNING:** Always Disconnect Power Before Handling. Case Should be Grounded. Install in Accordance with National and Local Electrical Codes

# 347V LED DRIVER Programmable 80W 0-10V Dimming

Output Range of 27V to 55V Current 1050mA to 2100mA Max 80W

Short case with Leads

347V Electronic **Programmable (NFC)** LED Driver 0-10V Dimming 5-100%. Output Range of 27V to 55V for Single circuit 80W maximum.

## Technical Specification:

Class 2 UL, CUL Recognized, ROHS Compliant

EMI FCC Part 15, Class A

Rating: TL IP 64 Damp

Output Open/Short Protection

Min. Starting Temp: 0° C

Max. Case Temp: 90° C

Typical Efficiency 90%

Input Voltage range:  $\pm 10\%$

Output Load range  $\pm 5\%$

Input Frequency: 50/60HZ

THD: < 20%

Power Factor Min: 0.90

Remote Wiring Distance Full Load: 18AWG -18 ft

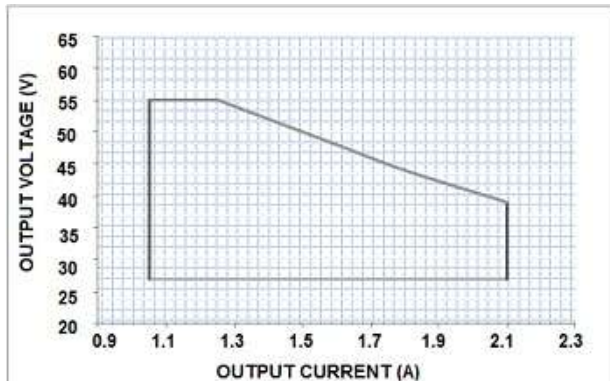
Case Size: Series FS3

Due to continuing efforts to offer improved products all specifications are subject to change without prior notice

INPUT VOLTAGE	INPUT CURRENT	INPUT WATTS	OUTPUT POWER WATTS MAX	OUTPUT VOLTAGE	OUTPUT CURRENT AMPS	MODEL
347	0.26A	89	80	27 to 55V	1.05 - 2.1A	PC2100C80WRSD5

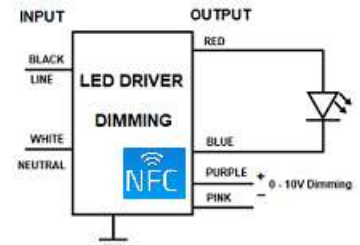
### LIMITED WARRANTY

5 YEAR at maximum case temperature 75 deg C. 3 YEAR at maximum case temperature 90 deg C. Manufacturer warrants to the purchaser: Product will be free from defects in material or workmanship from the date of manufacture conditioned upon proper storage, installation, use, and maintenance and conformance with any recommendations of Manufacturer



### Lead Length

Colour	inc	cm
Black	6	15.2
White	6	15.2
Blue	6	15.2
Red	6	15.2
Pink	7.1	18
Purple	7.1	18



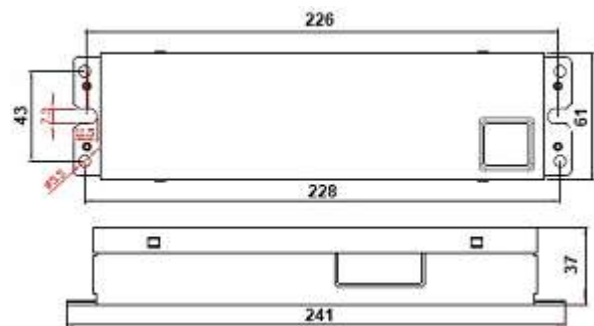
Place the Programmable Wand above the NFC Mark on LED Driver to begin Programming LED Case Should be Grounded

Case Size Series FS3

L	W	H	ML
241	61	37	226mm
9.5	2.4	1.46	8.9inch

0-10V Dimmer Compatibility Chart

LUTRON	LEVITON
NFTV	DS710-10Z
DVTV-WH	



**WARNING:** Always Disconnect Power Before Handling. Case Should be Grounded. Install in Accordance with National and Local Electrical Codes

# 347V LED DRIVER Programmable 80W 0-10V Dimming

Output Range of 27V to 55V Current 1050mA to 2100mA Max 80W

Short case Bottom Mount Studs with Leads

347V Electronic **Programmable (NFC)** LED Driver 0-10V Dimming 5-100%. Output Range of 27V to 55V for Single circuit 80W maximum.

## Technical Specification:

Class 2 UL, CUL Recognized, ROHS Compliant

EMI FCC Part 15, Class A

Rating: TL IP 64 Damp

Output Open/Short Protection

Min. Starting Temp: 0° C

Max. Case Temp: 90° C

Typical Efficiency 88%

Input Voltage range:  $\pm 10\%$

Output Load range  $\pm 5\%$

Input Frequency: 50/60HZ

THD: < 20%

Power Factor Min: 0.90

Remote Wiring Distance Full Load: 18AWG -18 ft

Bottom Mount Studs

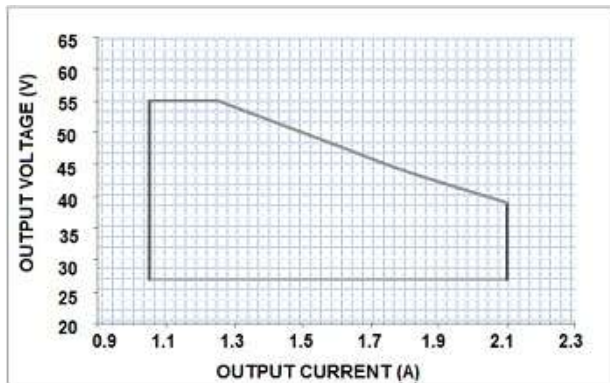
Case Size: Series FS3

Due to continuing efforts to offer improved products all specifications are subject to change without prior notice

INPUT VOLTAGE	INPUT CURRENT	INPUT WATTS	OUTPUT POWER WATTS MAX	OUTPUT VOLTAGE	OUTPUT CURRENT AMPS	MODEL
347	0.26A	91	80	27 to 55V	1.05 - 2.1A	PC2100C80WRBD5

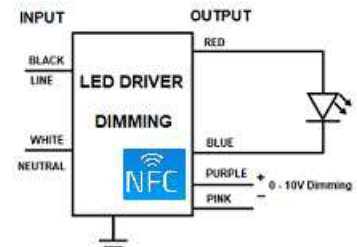
### LIMITED WARRANTY

5 YEAR at maximum case temperature 75 deg C. 3 YEAR at maximum case temperature 90 deg C. Manufacturer warrants to the purchaser: Product will be free from defects in material or workmanship from the date of manufacture conditioned upon proper storage, installation, use, and maintenance and conformance with any recommendations of Manufacturer



### Lead Length

Colour	inc	cm
Black	6	15.2
White	6	15.2
Blue	6	15.2
Red	6	15.2
Pink	7.1	18
Purple	7.1	18



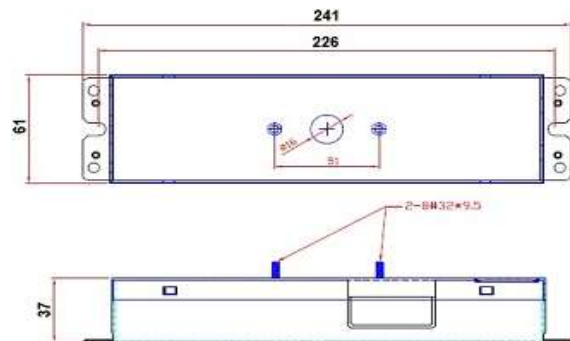
Place the Programmable Wand above the NFC Mark on LED Driver to begin Programming  
LED Case Should be Grounded

Case Size Series FS3

L	W	H	ML
241	61	37	226mm
9.5	2.4	1.46	8.9inch

0-10V Dimmer Compatibility Chart

LUTRON	LEVITON
NFTV	DS710-10Z
DVTV-WH	



**WARNING:** Always Disconnect Power Before Handling. Case Should be Grounded. Install in Accordance with National and Local Electrical Codes

901 - 3rd Street West, North Vancouver, BC V7P 3P9 Canada

TEL: 604-904-9533

www.sagedrivers.com www.sagelighting.com

*Sage  
Lighting Ltd.*

# 347V LED DRIVER Programmable 98W 0-10V Dimming

Output Range of 27V to 55V Current 1400mA to 2750mA Max 98W

Low Profile Slim Case Size with Terminal Blocks

347V Electronic **Programmable (NFC)** LED Driver 0-10V Dimming 5-100%. Output Range of 15V to 55V for Single circuit 98W maximum.

## Technical Specification:

Class 2 UL, CUL Recognized, ROHS Compliant  
 EMI FCC Part 15, Class A  
 Rating: TL IP 30 Damp  
 Output Open/Short Protection  
 Min. Starting Temp: 0° C  
 Max. Case Temp: 90° C  
 Typical Efficiency 89%

Input Voltage range:  $\pm 10\%$   
 Output Load range  $\pm 5\%$   
 Input Frequency: 50/60HZ  
 THD: < 20%  
 Power Factor Min: 0.90  
 Remote Wiring Distance Full Load: 18AWG -18 ft  
 Terminal Blocks

**Case Size: Series E14**

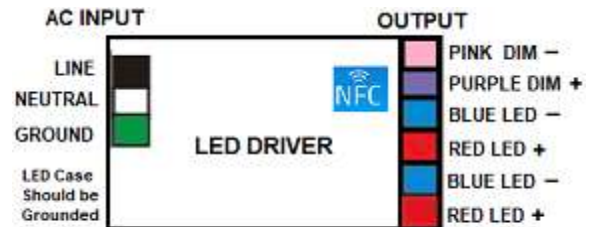
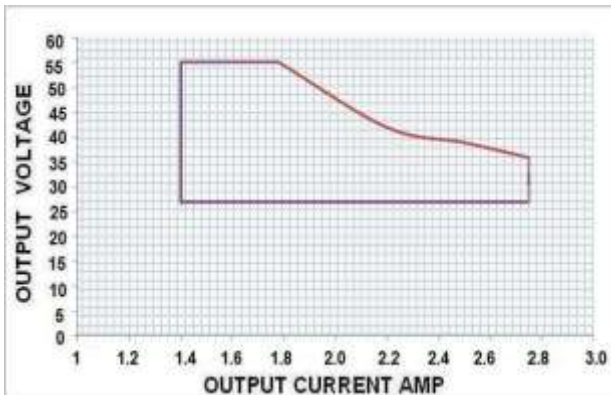
Due to continuing efforts to offer improved products all specifications are subject to change without prior notice

2/7/22

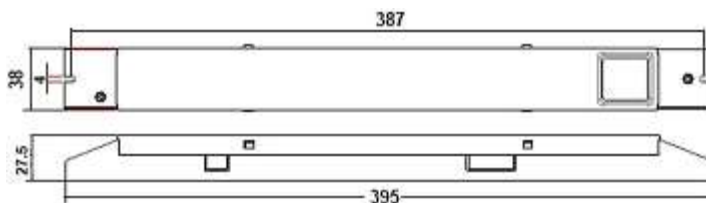
INPUT VOLTAGE	INPUT CURRENT	INPUT WATTS	OUTPUT POWER WATTS MAX	OUTPUT VOLTAGE	OUTPUT CURRENT AMPS	MODEL
347	0.32A	110	98	27 to 55V	1.4 - 2.75A	<b>PC2750C98WS-D5</b>

### LIMITED WARRANTY

5 YEAR at maximum case temperature 75 deg C. 3 YEAR at maximum case temperature 90 deg C. Manufacturer warrants to the purchaser: Product will be free from defects in material or workmanship from the date of manufacture conditioned upon proper storage, installation, use, and maintenance and conformance with any recommendations of Manufacturer



Both Positive & Negative Output Connectors are equal - similar Electrical positions. Place the Programmable Wand above the NFC Mark on LED Driver to begin Programming



**WARNING:** Always Disconnect Power Before Handling. Case Should be Grounded. Install in Accordance with National and Local Electrical Codes

### 0-10V Dimmer Compatibility Chart

LUTRON	LEVITON
NFTV	DS710-10Z
DVTV-WH	

### Case Size Series E14

L	W	H	ML
395	38	27.5	387mm
15.5	1.49	1.08	15.23inch



# 347V LED DRIVER Programmable 98W 0-10V Dimming

## 5-100% Output Range of 27V to 55V Current 1.4A to 2.75A Max 98W

Short case Bottom Mount Studs with Leads

347V Electronic **Programmable (NFC)** LED Driver 0-10V Dimming **5-100%**. Output Range of 15V to 55V for Single circuit 98W maximum.

### Technical Specification:

Class 2 UL, CUL Recognized, ROHS Compliant  
 EMI FCC Part 15, Class A  
 Rating: TL IP 64 Damp  
 Output Open/Short Protection  
 Min. Starting Temp: 0° C  
 Max. Case Temp: 90° C  
 Typical Efficiency 89%

Input Voltage range:  $\pm 10\%$   
 Output Load range  $\pm 5\%$   
 Input Frequency: 50/60HZ  
 THD: < 20%  
 Power Factor Min: 0.90  
 Remote Wiring Distance Full Load: 18AWG -18 ft

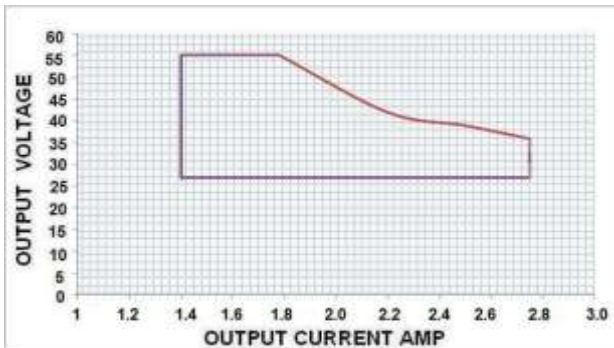
**Case Size: Series FS3**

Due to continuing efforts to offer improved products all specifications are subject to change without prior notice

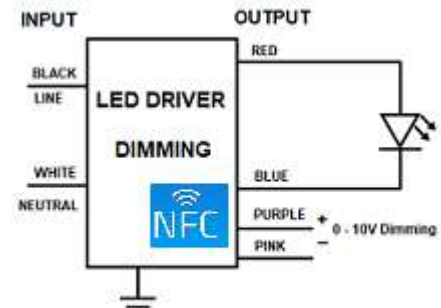
INPUT VOLTAGE	INPUT CURRENT	INPUT WATTS	OUTPUT POWER WATTS MAX	OUTPUT VOLTAGE	OUTPUT CURRENT AMPS	MODEL
347	0.32	110	98	27 - 55	1.4 - 2.75	<b>PC2750C98WRBD5</b>

#### LIMITED WARRANTY

5 YEAR at maximum case temperature 75 deg C. 3 YEAR at maximum case temperature 90 deg C. Manufacturer warrants to the purchaser: Product will be free from defects in material or workmanship from the date of manufacture conditioned upon proper storage, installation, use, and maintenance and conformance with any recommendations of Manufacturer



Colour	inch	cm
Black	5.9	15
White	5.9	15
Blue	5.9	15
Red	5.9	15
Pink	5.9	15
Purple	5.9	15



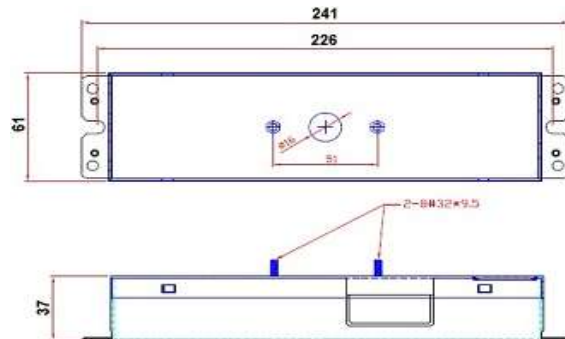
Place the Programmable Wand above the NFC Mark on LED Driver to begin Programming

Case Size Series FS3

L	W	H	ML
241	61	37	226mm
9.5	2.4	1.46	8.9inch

0-10V Dimmer Compatibility Chart

LUTRON	LEVITON
NFTV	DS710-10Z
DVTV-WH	



**WARNING: Always Disconnect Power Before Handling.**  
 Case Should be Grounded. Install in Accordance with National and Local Electrical Codes.



# Sage

## **120-277V Programmable LED Drivers**

### **Dimming Range 1-100%**

Sage 120-277V Programmable drivers are simple to use, easy to program and do not require powering up or wiring to be programmed. These drivers offer increased productivity and flexibility for the Fixture Manufacturers to design a wide range of luminaires utilizing various light sources available to them while maintaining the lowest level of inventory possible.

It is also easy to combine into common dimming systems accessible in commercial applications. Pre-Programming is available to facilitate large production needs.

These Programmable drivers are also available in 347V Input voltage and at 15W to 98W 0-10V Dimming. Dimming Range is available at 1-100%, 5-100% and 10-100%.

Output Current: from 100mA to 2750mA



# LED DRIVER Programmable 15W 0-10V Dimming

## 1-100% Output Range 15V to 55V Current 100mA to 700mA Max 15W

Small Case Size with leads

Universal Voltage 120-277V Electronic **Programmable (NFC)** LED Driver 0-10V Dimming 1-100%. Output Range of 15V to 55V for Single circuit 15W maximum.

### Technical Specification:

Class 2 UL, CUL Recognized, ROHS Compliant  
 EMI FCC Part 15, Class A  
 Rating: TL IP 64 Damp, Dry  
 Output Open/Short Protection  
 Min. Starting Temp: 0° C  
 Max. Case Temp: 90° C  
 Typical Efficiency 75%

Input Voltage range:  $\pm 10\%$   
 Output Load range  $\pm 5\%$   
 Input Frequency: 50/60HZ  
 THD: < 20%  
 Power Factor Min: 0.90  
 Remote Wiring Distance Full Load: 18AWG -18 ft

**Case Size: Series C1U**

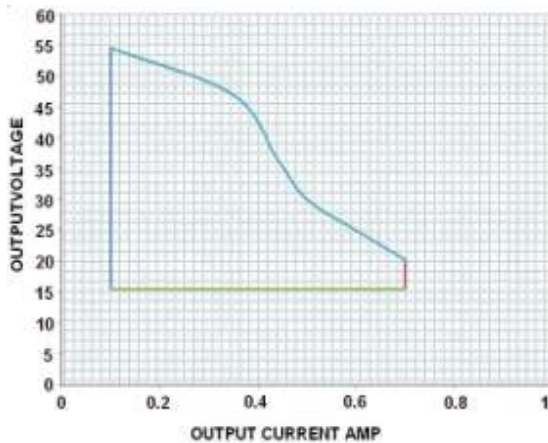
Due to continuing efforts to offer improved products all specifications are subject to change without prior notice

3/7/22

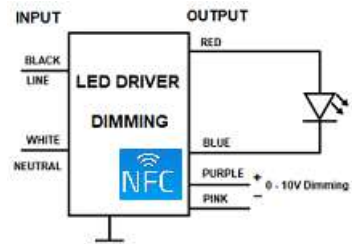
INPUT VOLTAGE	INPUT CURRENT	INPUT WATTS	OUTPUT POWER WATTS MAX	OUTPUT VOLTAGE	OUTPUT CURRENT AMPS	MODEL
120-277	0.27A-0.11	20	15	15 to 55V	0.1 - 0.7A	PU700C15WSD1

#### LIMITED WARRANTY

5 YEAR at maximum case temperature 75 deg C. 3 YEAR at maximum case temperature 90 deg C. Manufacturer warrants to the purchaser: Product will be free from defects in material or workmanship from the date of manufacture conditioned upon proper storage, installation, use, and maintenance and conformance with any recommendations of Manufacturer



Lead Length		
Colour	inc	cm
Black	6	15.2
White	6	15.2
Blue	6	15.2
Red	6	15.2
Pink	7.1	18
Purple	7.1	18

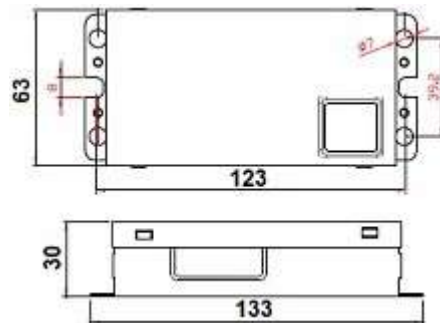


Place the Programmable Wand above the NFC Mark on LED Driver to begin Programming  
 LED Case Should be Grounded

#### 0-10V Dimmer Compatibility Chart

Case Size Series C1U			
L	W	H	ML
133	63	30	123mm
5.23	2.48	1.18	4.84inch

LUTRON	LEVITON
NFTV	DS710-10Z
DVTV-WH	



**WARNING:** Always Disconnect Power Before Handling. Case Should be Grounded. Install in Accordance with National and Local Electrical Codes

# LED DRIVER Programmable 15W 0-10V Dimming

**1-100%** Output Range 15V to 55V Current **100mA** to **700mA** Max **15W**

Small Case Size - Bottom Mount Studs with leads No Mounting Flange

Universal Voltage 120-277V Electronic **Programmable (NFC)** LED Driver 0-10V Dimming 1-100%. Output Range of 15V to 55V for Single circuit 15W maximum.

## Technical Specification:

Class 2 UL, CUL Recognized, ROHS Compliant

EMI FCC Part 15, Class A

Rating: TL IP 64 Damp, Dry

Output Open/Short Protection

Min. Starting Temp: 0° C

Max. Case Temp: 90° C

Typical Efficiency 75%

Input Voltage range:  $\pm 10\%$

Output Load range  $\pm 5\%$

Input Frequency: 50/60HZ

THD: < 20%

Power Factor Min: 0.90

Remote Wiring Distance Full Load: 18AWG -18 ft

Bottom Mount Studs No Mounting Flange

**Case Size: Series C1B**

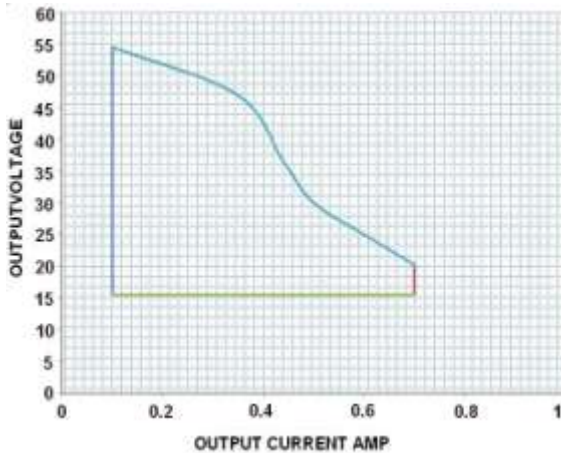
Due to continuing efforts to offer improved products all specifications are subject to change without prior notice

3/6/22

INPUT VOLTAGE	INPUT CURRENT	INPUT WATTS	OUTPUT POWER WATTS MAX	OUTPUT VOLTAGE	OUTPUT CURRENT AMPS	MODEL
120-277	0.27A-0.11	20	15	15 to 55V	0.1 - 0.7A	<b>PU700C15WSBD1</b>

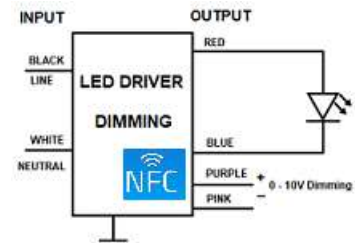
### LIMITED WARRANTY

5 YEAR at maximum case temperature 75 deg C. 3 YEAR at maximum case temperature 90 deg C. Manufacturer warrants to the purchaser: Product will be free from defects in material or workmanship from the date of manufacture conditioned upon proper storage, installation, use, and maintenance and conformance with any recommendations of Manufacturer



**Lead Length**

Colour	inc	cm
Black	6	15.2
White	6	15.2
Blue	6	15.2
Red	6	15.2
Pink	7.1	18
Purple	7.1	18



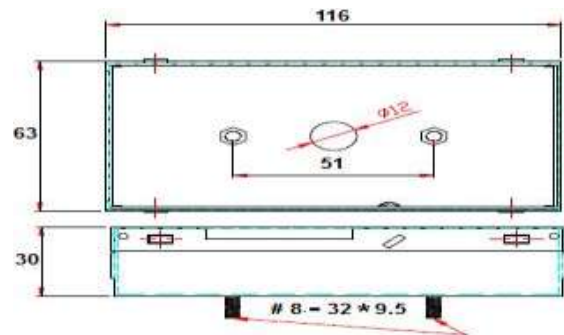
Place the Programmable Wand above the NFC Mark on LED Driver to begin Programming  
LED Case Should be Grounded

**Case Size Series C1B**

L	W	H
116	63	30mm
4.56	2.48	1.18inch

**0-10V Dimmer Compatibility Chart**

LUTRON	LEVITON
NFTV	DS710-10Z
DVTV-WH	



**WARNING:** Always Disconnect Power Before Handling. Case Should be Grounded. Install in Accordance with National and Local Electrical Codes

901 - 3rd Street West, North Vancouver, BC V7P 3P9 Canada

TEL: 604-904-9533

www.sagedrivers.com www.sagelighting.com

*Sage Lighting Ltd.*

# LED DRIVER Programmable 30W 0-10V Dimming

## 1-100% Output Range 15V to 55V Current 350mA to 1250mA Max 30W

Small Case Size with Side leads

Universal Voltage 120-277V Electronic **Programmable (NFC)** LED Driver 0-10V Dimming 1-100%. Output Range of 15V to 55V for Single circuit 30W maximum.

### Technical Specification:

Class 2 UL, CUL Recognized, ROHS Compliant  
 EMI FCC Part 15, Class A  
 Rating: TL IP 64 Damp, Dry  
 Output Open/Short Protection  
 Min. Starting Temp: 0° C  
 Max. Case Temp: 90° C  
 Typical Efficiency 85%

Input Voltage range:  $\pm 10\%$   
 Output Load range  $\pm 5\%$   
 Input Frequency: 50/60HZ  
 THD: < 20%  
 Power Factor Min: 0.90  
 Remote Wiring Distance Full Load: 18AWG -18 ft

Case Size: Series C1U

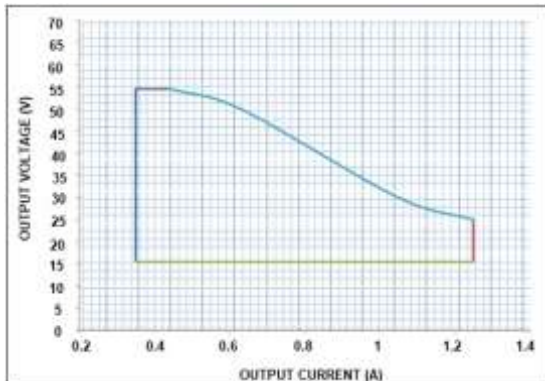
Due to continuing efforts to offer improved products all specifications are subject to change without prior notice

4/7/22

INPUT VOLTAGE	INPUT CURRENT	INPUT WATTS	OUTPUT POWER WATTS MAX	OUTPUT VOLTAGE	OUTPUT CURRENT AMPS	MODEL
120-277	0.3 - 0.13A	37	30	15 to 55V	0.35 - 1.25A	<b>PU1250C30WS-D1</b>

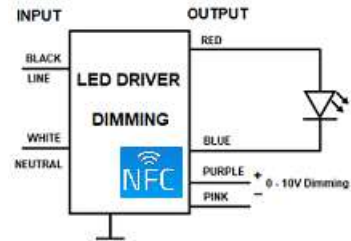
#### LIMITED WARRANTY

5 YEAR at maximum case temperature 75 deg C. 3 YEAR at maximum case temperature 90 deg C. Manufacturer warrants to the purchaser: Product will be free from defects in material or workmanship from the date of manufacture conditioned upon proper storage, installation, use, and maintenance and conformance with any recommendations of Manufacturer



#### Lead Length

Colour	inc	cm
Black	6	15.2
White	6	15.2
Blue	6	15.2
Red	6	15.2
Pink	7.1	18
Purple	7.1	18



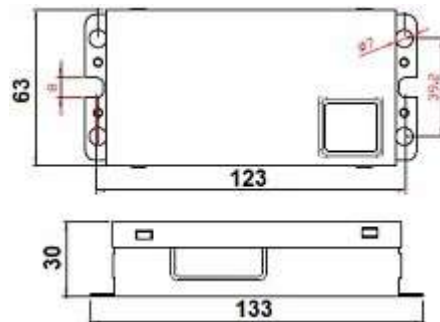
Place the Programmable Wand above the NFC Mark on LED Driver to begin Programming LED Case Should be Grounded

#### 0-10V Dimmer Compatibility Chart

Case Size Series C1U			
L	W	H	ML
133	63	30	123mm
5.23	2.48	1.18	4.84inch

LUTRON	LEVITON
NFTV	DS710-10Z
DVTV-WH	

**WARNING:** Always Disconnect Power Before Handling. Case Should be Grounded. Install in Accordance with National and Local Electrical Codes



# LED DRIVER Programmable 30W 0-10V Dimming

## 1-100% Output Range 15V to 55V Current 350mA to 1250mA Max 30W

Small Case Size - Bottom Mount Studs with leads No Mounting Flange

Universal Voltage 120-277V Electronic **Programmable (NFC)** LED Driver 0-10V Dimming 1-100%. Output Range of 15V to 55V for Single circuit 30W maximum.

### Technical Specification:

Class 2 UL, CUL Recognized, ROHS Compliant  
 EMI FCC Part 15, Class A  
 Rating: TL IP 64 Damp, Dry  
 Output Open/Short Protection  
 Min. Starting Temp: 0° C  
 Max. Case Temp: 90° C  
 Typical Efficiency 85%

Input Voltage range:  $\pm 10\%$   
 Output Load range  $\pm 5\%$   
 Input Frequency: 50/60HZ  
 THD: < 20%  
 Power Factor Min: 0.90  
 Remote Wiring Distance Full Load: 18AWG -18 ft  
 Bottom Mount Studs No Mounting Flange

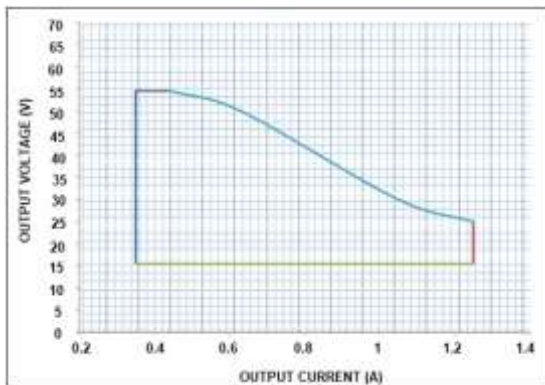
Case Size: Series C1B

Due to continuing efforts to offer improved products all specifications are subject to change without prior notice 4/6/22

INPUT VOLTAGE	INPUT CURRENT	INPUT WATTS	OUTPUT POWER WATTS MAX	OUTPUT VOLTAGE	OUTPUT CURRENT AMPS	MODEL
120-277	0.3 - 0.13A	37	30	15 to 55V	0.35 - 1.25A	<b>PU1250C30WSB-D1</b>

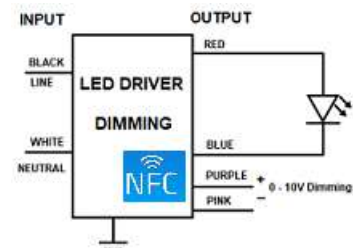
#### LIMITED WARRANTY

5 YEAR at maximum case temperature 75 deg C. 3 YEAR at maximum case temperature 90 deg C. Manufacturer warrants to the purchaser: Product will be free from defects in material or workmanship from the date of manufacture conditioned upon proper storage, installation, use, and maintenance and conformance with any recommendations of Manufacturer



#### Lead Length

Colour	inc	cm
Black	6	15.2
White	6	15.2
Blue	6	15.2
Red	6	15.2
Pink	7.1	18
Purple	7.1	18



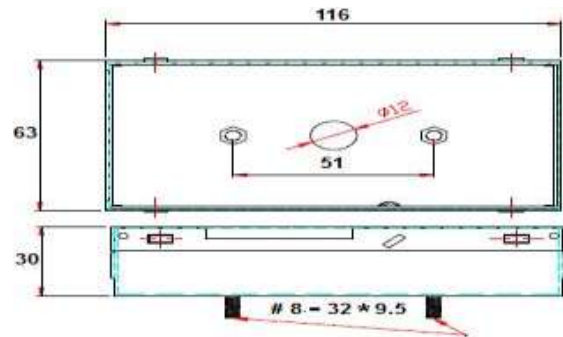
Place the Programmable Wand above the NFC Mark on LED Driver to begin Programming LED Case should be Grounded

#### Case Size Series C1B

L	W	H
116	63	30mm
4.56	2.48	1.18inch

#### 0-10V Dimmer Compatibility Chart

LUTRON	LEVITON
NFTV	DS710-10Z
DVTV-WH	



**WARNING:** Always Disconnect Power Before Handling. Case Should be Grounded. Install in Accordance with National and Local Electrical Codes



# LED DRIVER Programmable 30W 0-10V Dimming

## 1-100% Output Range 15V to 55V Current 350mA to 1250mA Max 30W

Low Profile Slim Case Size with Terminal Blocks

Universal Voltage 120-277V Electronic **Programmable (NFC)** LED Driver 0-10V Dimming 1-100%. Output Range of 15V to 55V for Single circuit 30W maximum.

### Technical Specification:

Class 2 UL, CUL Recognized, ROHS Compliant  
 EMI FCC Part 15, Class A  
 Rating: TL IP 30 Damp, Dry  
 Output Open/Short Protection  
 Min. Starting Temp: 0° C  
 Max. Case Temp: 90° C  
 Typical Efficiency 85%

Input Voltage range:  $\pm 10\%$   
 Output Load range  $\pm 5\%$   
 Input Frequency: 50/60HZ  
 THD: < 20%  
 Power Factor Min: 0.90  
 Remote Wiring Distance Full Load: 18AWG -18 ft  
 Terminal Blocks

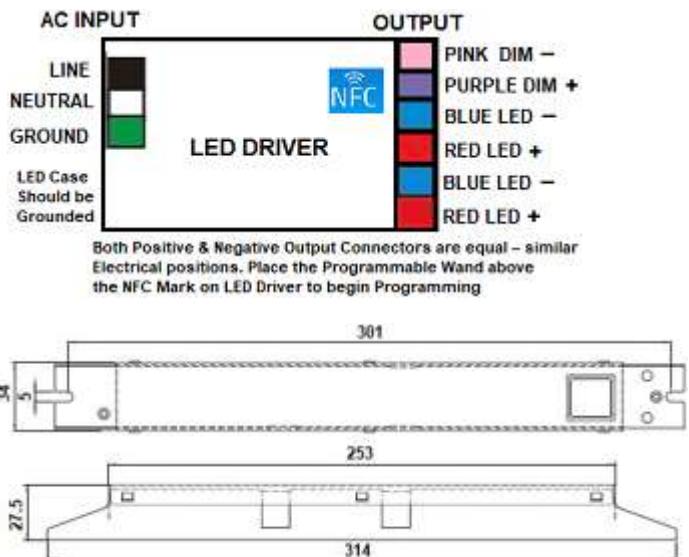
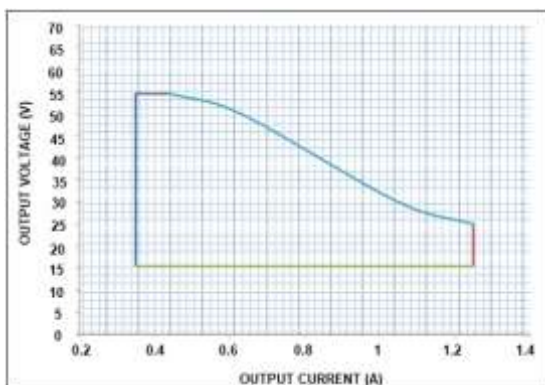
Case Size: Series E13

Due to continuing efforts to offer improved products all specifications are subject to change without prior notice 4/7/22

INPUT VOLTAGE	INPUT CURRENT	INPUT WATTS	OUTPUT POWER WATTS MAX	OUTPUT VOLTAGE	OUTPUT CURRENT AMPS	MODEL
120-277	0.3 - 0.13A	37	30	15 to 55V	0.35 - 1.25A	PU1250C30WSD1-E13

#### LIMITED WARRANTY

5 YEAR at maximum case temperature 75 deg C. 3 YEAR at maximum case temperature 90 deg C. Manufacturer warrants to the purchaser: Product will be free from defects in material or workmanship from the date of manufacture conditioned upon proper storage, installation, use, and maintenance and conformance with any recommendations of Manufacturer



#### 0-10V Dimmer Compatibility Chart

LUTRON	LEVITON
NFTV	DS710-10Z
DVTV-WH	

#### Case Size Series E13

L	W	H	ML
314	34	27.5	301mm
12.36	1.34	1.08	11.85inch

**WARNING:** Always Disconnect Power Before Handling. Case Should be Grounded. Install in Accordance with National and Local Electrical Codes

# LED DRIVER Programmable 40W 0-10V Dimming

## 1-100% Output Range 15V to 55V Current 400mA to 1400mA Max 40W

Low Profile Slim Case Size with Terminal Blocks

Universal Voltage 120-277V Electronic **Programmable (NFC)** LED Driver 0-10V Dimming 1-100%. Output Range of 15V to 55V for Single circuit 40W maximum.

### Technical Specification:

Class 2 UL, CUL Recognized, ROHS Compliant  
 EMI FCC Part 15, Class A  
 Rating: TL IP 30 Damp  
 Output Open/Short Protection  
 Min. Starting Temp: 0° C  
 Max. Case Temp: 90° C  
 Typical Efficiency 88%

Input Voltage range:  $\pm 10\%$   
 Output Load range:  $\pm 5\%$   
 Input Frequency: 50/60HZ  
 THD: < 20%  
 Power Factor Min: 0.90  
 Remote Wiring Distance Full Load: 18AWG -18 ft  
 Terminal Blocks

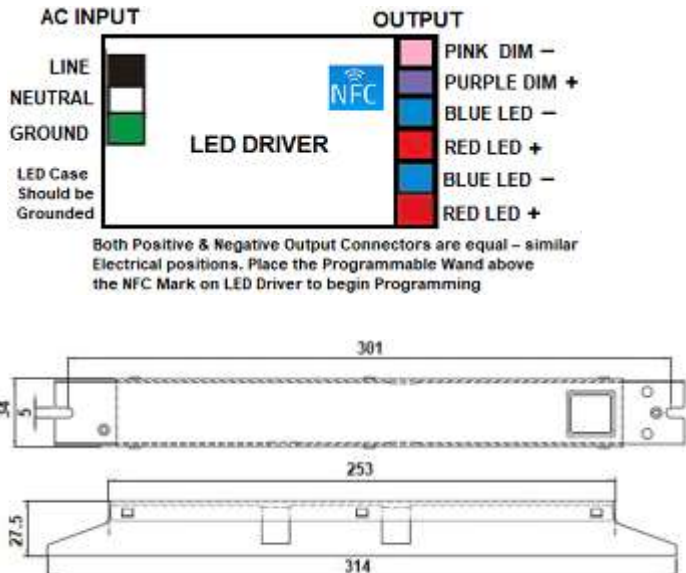
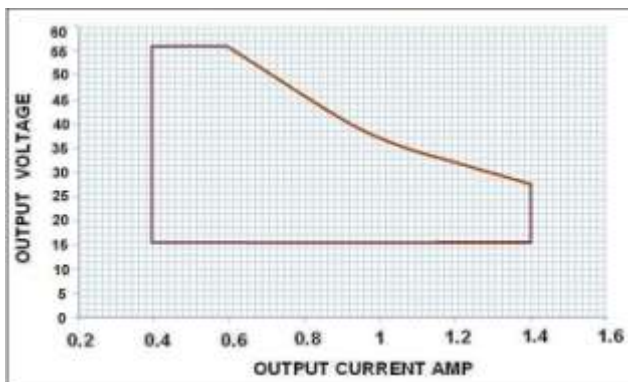
Case Size: Series E13

Due to continuing efforts to offer improved products all specifications are subject to change without prior notice 4/7/22

INPUT VOLTAGE	INPUT CURRENT	INPUT WATTS	OUTPUT POWER WATTS MAX	OUTPUT VOLTAGE	OUTPUT CURRENT AMPS	MODEL
120	0.40A	47	40	15 to 55V	0.4 - 1.4A	PU1400C40WSD1-E13
277	0.18A					

#### LIMITED WARRANTY

5 YEAR at maximum case temperature 75 deg C. 3 YEAR at maximum case temperature 90 deg C. Manufacturer warrants to the purchaser: Product will be free from defects in material or workmanship from the date of manufacture conditioned upon proper storage, installation, use, and maintenance and conformance with any recommendations of Manufacturer



#### 0-10V Dimmer Compatibility Chart

LUTRON	LEVITON
NFTV	DS710-10Z
DVTV-WH	

#### Case Size Series E13

L	W	H	ML
314	34	27.5	301mm
12.36	1.34	1.08	11.85inch

**WARNING:** Always Disconnect Power Before Handling. Case Should be Grounded. Install in Accordance with National and Local Electrical Codes

# LED DRIVER Programmable 50W 0-10V Dimming

## 1-100% Output Range 15V to 55V Current 400mA to 1400mA Max 50W

Small Case Size with Side leads

Universal Voltage 120-277V Electronic **Programmable (NFC)** LED Driver 0-10V Dimming 1-100%. Output Range of 15V to 55V for Single circuit 50W maximum.

### Technical Specification:

Class 2 UL, CUL Recognized, ROHS Compliant  
 EMI FCC Part 15, Class A  
 Rating: TL IP 64 Damp  
 Output Open/Short Protection  
 Min. Starting Temp: 0° C  
 Max. Case Temp: 90° C  
 Typical Efficiency 85%

Input Voltage range:  $\pm 10\%$   
 Output Load range:  $\pm 5\%$   
 Input Frequency: 50/60HZ  
 THD: < 20%  
 Power Factor Min: 0.90  
 Remote Wiring Distance Full Load: 18AWG -18 ft

Case Size: Series C1U

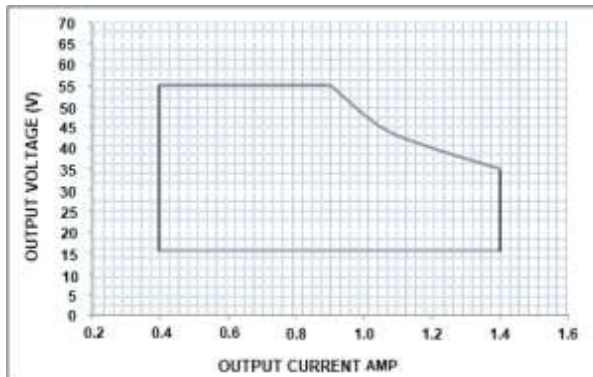
Due to continuing efforts to offer improved products all specifications are subject to change without prior notice

4/7/22

INPUT VOLTAGE	INPUT CURRENT	INPUT WATTS	OUTPUT POWER WATTS MAX	OUTPUT VOLTAGE	OUTPUT CURRENT AMPS	MODEL
120	0.50A	60	50	15 to 55V	0.4 - 1.4A	PU1400C50WS-D1
277	0.22A					

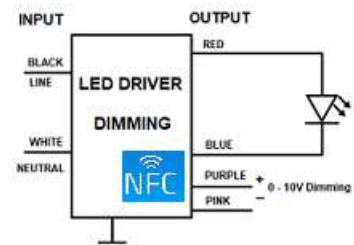
#### LIMITED WARRANTY

5 YEAR at maximum case temperature 75 deg C. 3 YEAR at maximum case temperature 90 deg C. Manufacturer warrants to the purchaser: Product will be free from defects in material or workmanship from the date of manufacture conditioned upon proper storage, installation, use, and maintenance and conformance with any recommendations of Manufacturer



#### Lead Length

Colour	inc	cm
Black	6	15.2
White	6	15.2
Blue	6	15.2
Red	6	15.2
Pink	7.1	18
Purple	7.1	18

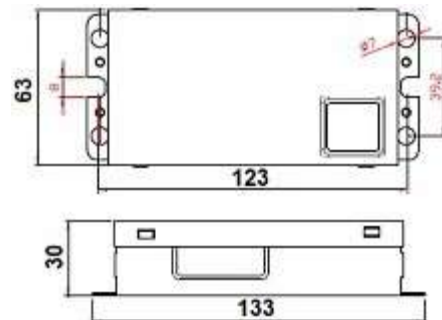


Place the Programmable Wand above the NFC Mark on LED Driver to begin Programming  
 LED Case Should be Grounded

#### 0-10V Dimmer Compatibility Chart

Case Size Series C1U			
L	W	H	ML
133	63	30	123mm
5.23	2.48	1.18	4.84inch

LUTRON	LEVITON
NFTV	DS710-10Z
DVTV-WH	



**WARNING:** Always Disconnect Power Before Handling. Case Should be Grounded. Install in Accordance with National and Local Electrical Codes

# LED DRIVER Programmable 50W 0-10V Dimming

## 1-100% Output Range 15V to 55V Current 400mA to 1400mA Max 50W

Small Case Size with Side leads for use with External Thermal Device 12V DC 100mA

Universal Voltage 120-277V Electronic **Programmable (NFC)** LED Driver 0-10V Dimming  
**1-100%**. Output Range of 15V to 55V for Single circuit 50W maximum.

### Technical Specification:

Class 2 UL, CUL Recognized, ROHS Compliant  
 EMI FCC Part 15, Class A  
 Rating: TL IP 64 Damp  
 Output Open/Short Protection  
 Min. Starting Temp: 0° C  
 Max. Case Temp: 90° C  
 Typical Efficiency 90%

Input Voltage range:  $\pm 10\%$   
 Output Load range  $\pm 5\%$   
 Input Frequency: 50/60HZ  
 THD: < 20%  
 Power Factor Min: 0.90  
 Remote Wiring Distance Full Load: 18AWG -18 ft

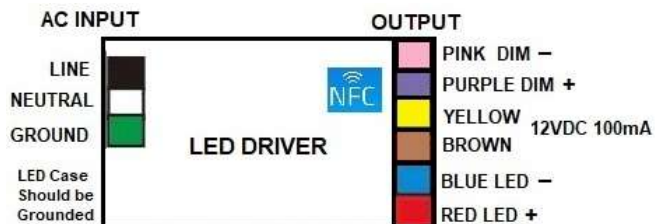
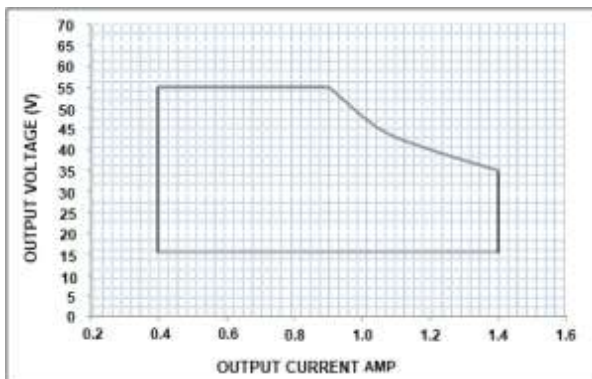
Case Size: Series C1U

Due to continuing efforts to offer improved products all specifications are subject to change without prior notice

INPUT VOLTAGE	INPUT CURRENT	INPUT WATTS	OUTPUT POWER WATTS MAX	OUTPUT VOLTAGE	OUTPUT CURRENT AMPS	MODEL
120	0.50A	59	50	15 to 55V	0.4 - 1.4A	PU1400C50WD1F
277	0.22A					

#### LIMITED WARRANTY

5 YEAR at maximum case temperature 75 deg C. 3 YEAR at maximum case temperature 90 deg C. Manufacturer warrants to the purchaser: Product will be free from defects in material or workmanship from the date of manufacture conditioned upon proper storage, installation, use, and maintenance and conformance with any recommendations of Manufacturer



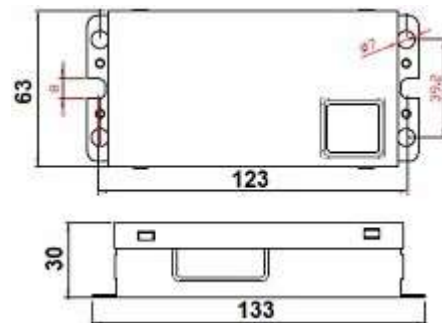
Both Positive & Negative Output Connectors are equal – similar Electrical positions. Place the Programmable Wand above the NFC Mark on LED Driver to begin Programming

#### 0-10V Dimmer Compatibility Chart

Case Size Series C1U

L	W	H	ML
133	63	30	123mm
5.23	2.48	1.18	4.84inch

LUTRON	LEVITON
NFTV	DS710-10Z
DVTV-WH	



**WARNING:** Always Disconnect Power Before Handling. Case Should be Grounded. Install in Accordance with National and Local Electrical Codes

# LED DRIVER Programmable 50W 0-10V Dimming

**1-100%** Output Range 15V to 55V Current **400mA** to **1400mA** Max **50W**  
 Small Case Size - Bottom Mount Studs with leads No Mounting Flange

Universal Voltage 120-277V Electronic **Programmable (NFC)** LED Driver 0-10V Dimming  
 1-100%. Output Range of 15V to 55V for Single circuit 50W maximum.

## Technical Specification:

Class 2 UL, CUL Recognized, ROHS Compliant  
 EMI FCC Part 15, Class A

Rating: TL IP 64 Damp  
 Output Open/Short Protection  
 Min. Starting Temp: 0° C  
 Max. Case Temp: 90° C  
 Typical Efficiency 85%

Input Voltage range: **± 10%**  
 Output Load range **± 5%**  
 Input Frequency: **50/60HZ**  
 THD: **< 20%**  
 Power Factor Min: **0.90**  
 Remote Wiring Distance Full Load: **18AWG -18 ft**  
**Bottom Mount Studs**

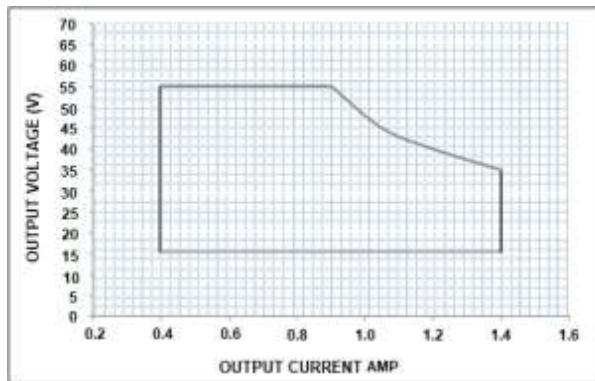
**Case Size: Series C1B**

Due to continuing efforts to offer improved products all specifications are subject to change without prior notice 4/6/22

INPUT VOLTAGE	INPUT CURRENT	INPUT WATTS	OUTPUT POWER WATTS MAX	OUTPUT VOLTAGE	OUTPUT CURRENT AMPS	MODEL
120	0.50A	60	50	15 to 55V	0.4 - 1.4A	<b>PU1400C50WSB-D1</b>
277	0.22A					

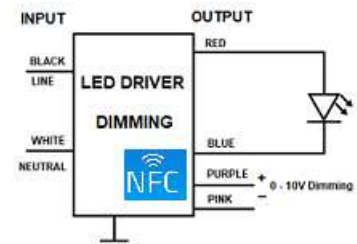
### LIMITED WARRANTY

5 YEAR at maximum case temperature 75 deg C. 3 YEAR at maximum case temperature 90 deg C. Manufacturer warrants to the purchaser: Product will be free from defects in material or workmanship from the date of manufacture conditioned upon proper storage, installation, use, and maintenance and conformance with any recommendations of Manufacturer



### Lead Length

Colour	inc	cm
Black	6	15.2
White	6	15.2
Blue	6	15.2
Red	6	15.2
Pink	7.1	18
Purple	7.1	18



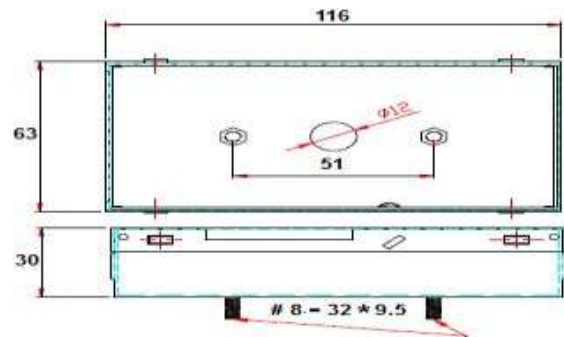
Place the Programmable Wand above the NFC Mark on LED Driver to begin Programming  
 LED Case Should be Grounded

### Case Size Series C1B

L	W	H
116	63	30mm
4.56	2.48	1.18inch

### 0-10V Dimmer Compatibility Chart

LUTRON	LEVITON
NFTV	DS710-10Z
DVTV-WH	



**WARNING:** Always Disconnect Power Before Handling. Case Should be Grounded. Install in Accordance with National and Local Electrical Codes

# LED DRIVER Programmable 50W 0-10V Dimming

## 1-100% Output Range 15V to 55V Current 400mA to 1400mA Max 50W

Low Profile Slim Case Size with Terminal Blocks

Universal Voltage 120-277V Electronic **Programmable (NFC)** LED Driver 0-10V Dimming 1-100%. Output Range of 15V to 55V for Single circuit 50W maximum.

### Technical Specification:

Class 2 UL, CUL Recognized, ROHS Compliant  
 EMI FCC Part 15, Class A  
 Rating: TL IP 30 Damp  
 Output Open/Short Protection  
 Min. Starting Temp: 0° C  
 Max. Case Temp: 90° C  
 Typical Efficiency 90%

Input Voltage range:  $\pm 10\%$   
 Output Load range:  $\pm 5\%$   
 Input Frequency: 50/60HZ  
 THD:  $< 20\%$   
 Power Factor Min: 0.90  
 Remote Wiring Distance Full Load: 18AWG -18 ft  
 Terminal Blocks

**Case Size: Series E13**

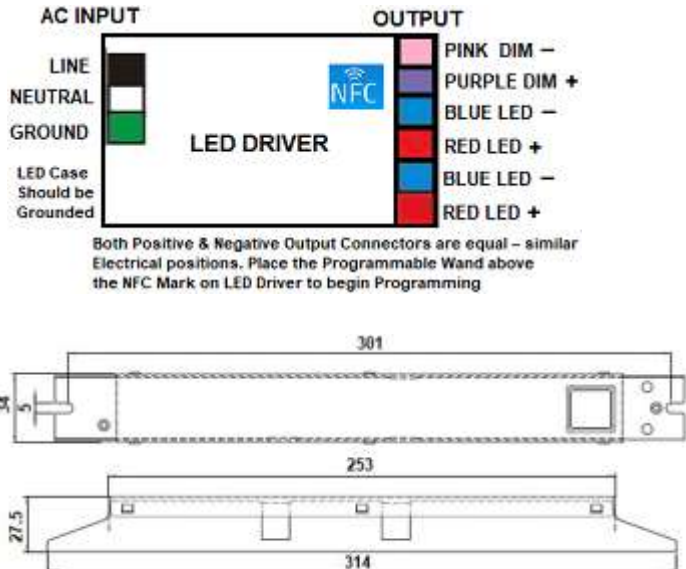
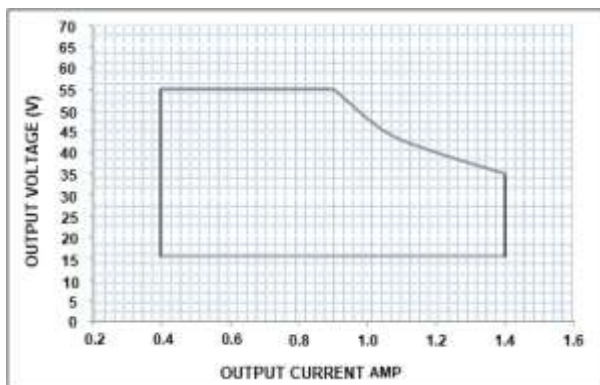
Due to continuing efforts to offer improved products all specifications are subject to change without prior notice

1/7/23

INPUT VOLTAGE	INPUT CURRENT	INPUT WATTS	OUTPUT POWER WATTS MAX	OUTPUT VOLTAGE	OUTPUT CURRENT AMPS	MODEL
120	0.50A	59	50	15 to 55V	0.4 - 1.4A	<b>PU1400C50WSD1-E13</b>
277	0.22A					

#### LIMITED WARRANTY

5 YEAR at maximum case temperature 75 deg C. 3 YEAR at maximum case temperature 90 deg C. Manufacturer warrants to the purchaser: Product will be free from defects in material or workmanship from the date of manufacture conditioned upon proper storage, installation, use, and maintenance and conformance with any recommendations of Manufacturer



#### 0-10V Dimmer Compatibility Chart

LUTRON	LEVITON
NFTV	DS710-10Z
DVTV-WH	

#### Case Size Series E13

L	W	H	ML
314	34	27.5	301mm
12.36	1.34	1.08	11.85inch

**WARNING:** Always Disconnect Power Before Handling. Case Should be Grounded. Install in Accordance with National and Local Electrical Codes

# LED DRIVER Programmable 60W 0-10V Dimming

## 1-100% Output Range 27V to 55V Current 700mA to 1400mA Max 60W

Low Profile Slim Case Size with Terminal Blocks

Universal Voltage 120-277V Electronic **Programmable (NFC)** LED Driver 0-10V Dimming 1-100%. Output Range of 27V to 55V for Single circuit 60W maximum.

### Technical Specification:

Class 2 UL, CUL Recognized, ROHS Compliant  
 EMI FCC Part 15, Class A  
 Rating: TL IP 30 Damp  
 Output Open/Short Protection  
 Min. Starting Temp: 0° C  
 Max. Case Temp: 90° C  
 Typical Efficiency 87%

Input Voltage range:  $\pm 10\%$   
 Output Load range:  $\pm 5\%$   
 Input Frequency: 50/60HZ  
 THD: < 20%  
 Power Factor Min: 0.90  
 Remote Wiring Distance Full Load: 18AWG -18 ft  
 Terminal Blocks

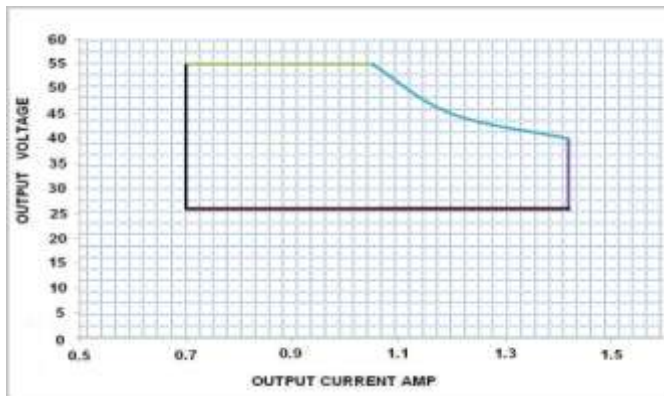
Case Size: Series E13

Due to continuing efforts to offer improved products all specifications are subject to change without prior notice 4/6/22

INPUT VOLTAGE	INPUT CURRENT	INPUT WATTS	OUTPUT POWER WATTS MAX	OUTPUT VOLTAGE	OUTPUT CURRENT AMPS	MODEL
120	0.6A	69	60	27 to 55V	0.7 - 1.4A	PU1400C60WS-D1
277	0.26A					

#### LIMITED WARRANTY

5 YEAR at maximum case temperature 75 deg C. 3 YEAR at maximum case temperature 90 deg C. Manufacturer warrants to the purchaser: Product will be free from defects in material or workmanship from the date of manufacture conditioned upon proper storage, installation, use, and maintenance and conformance with any recommendations of Manufacturer



Both Positive & Negative Output Connectors are equal – similar Electrical positions. Place the Programmable Wand above the NFC Mark on LED Driver to begin Programming

#### Case Size Series E13

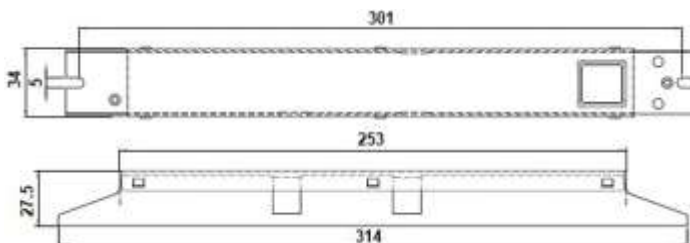
L	W	H	ML
314	34	27.5	301mm
12.36	1.34	1.08	11.85inch

#### 0-10V Dimmer

#### Compatibility Chart

LUTRON	LEVITON
NFTV	DS710-10Z
DVTV-WH	

**WARNING:** Always Disconnect Power Before Handling. Case Should be Grounded. Install in Accordance with National and Local Electrical Codes



# LED DRIVER Programmable 60W 0-10V Dimming

## 1-100% Output Range 27V to 55V Current 700mA to 1400mA Max 60W

Slim Case Size with Leads

Universal Voltage 120-277V Electronic **Programmable (NFC)** LED Driver 0-10V Dimming  
**1-100%**. Output Range of 27V to 55V for Single circuit 60W maximum.

### Technical Specification:

Class 2 UL, CUL Recognized, ROHS Compliant  
 EMI FCC Part 15, Class A  
 Rating: TL IP 64 Damp  
 Output Open/Short Protection  
 Min. Starting Temp: 0° C  
 Max. Case Temp: 90° C  
 Typical Efficiency 87%

Input Voltage range:  $\pm 10\%$   
 Output Load range  $\pm 5\%$   
 Input Frequency: 50/60HZ  
 THD: < 20%  
 Power Factor Min: 0.90  
 Remote Wiring Distance Full Load: 18AWG -18 ft

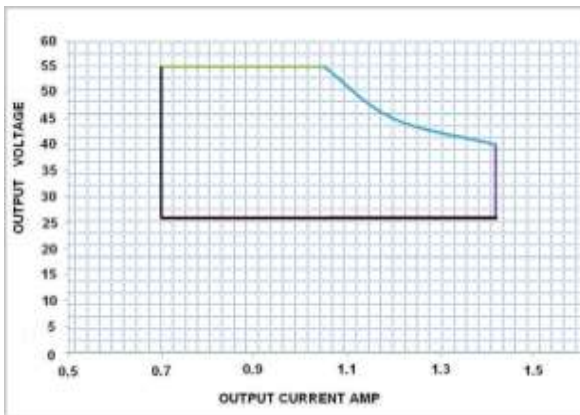
**Case Size: Series MU2**

Due to continuing efforts to offer improved products all specifications are subject to change without prior notice

INPUT VOLTAGE	INPUT CURRENT	INPUT WATTS	OUTPUT POWER WATTS MAX	OUTPUT VOLTAGE	OUTPUT CURRENT AMPS	MODEL
120	0.6A	69	60	27 to 55V	0.7 - 1.4A	<b>PU1400C60WRSD1</b>
277	0.26A					

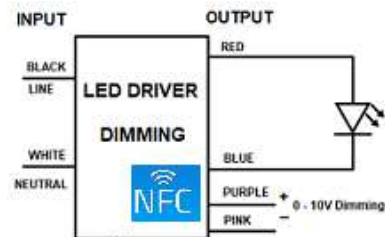
#### LIMITED WARRANTY

5 YEAR at maximum case temperature 75 deg C. 3 YEAR at maximum case temperature 90 deg C. Manufacturer warrants to the purchaser: Product will be free from defects in material or workmanship from the date of manufacture conditioned upon proper storage, installation, use, and maintenance and conformance with any recommendations of Manufacturer



#### Lead Length

Colour	inc	cm
Black	6	15.2
White	6	15.2
Blue	6	15.2
Red	6	15.2
Pink	7.1	18
Purple	7.1	18



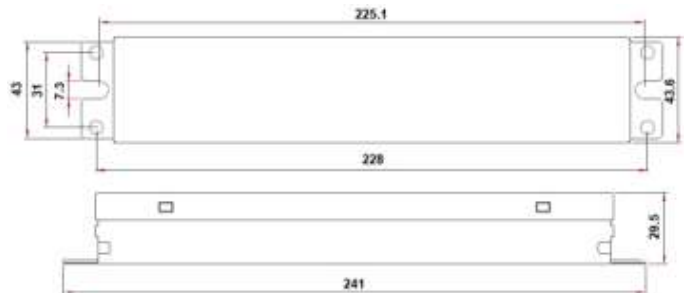
Place the Programmable Wand above the NFC Mark on LED Driver to begin Programming  
 LED Case Should be Grounded

#### Case Size Series MU2

L	W	H	ML
241	43	29.5	226mm
9.5	1.7	1.2	8.9 inch

#### 0-10V Dimmer Compatibility Chart

LUTRON	LEVITON
NFTV	DS710-10Z
DVTV-WH	



**WARNING:** Always Disconnect Power Before Handling. Case Should be Grounded. Install in Accordance with National and Local Electrical Codes



# LED DRIVER Programmable 98W 0-10V Dimming

Output Range of 24V to 47V Current 700mA to 2100mA Max 98W

Short case with Side Leads

Universal Voltage 120-277V Electronic **Programmable (NFC)** LED Driver 0-10V Dimming 1-100%. Output Range of 24V to 47V for Single circuit 98W maximum.

## Technical Specification:

Class 2 UL, CUL Recognized, ROHS Compliant

EMI FCC Part 15, Class A

Rating: IP 64 Damp

Output Open/Short Protection

Min. Starting Temp: 10° C

Max. Case Temp: 90° C

Typical Efficiency 86%

Input Voltage range:  $\pm 10\%$

Output Load range  $\pm 5\%$

Input Frequency: 50/60HZ

THD: < 20%

Power Factor Min: 0.90

Remote Wiring Distance Full Load: 18AWG -18 ft

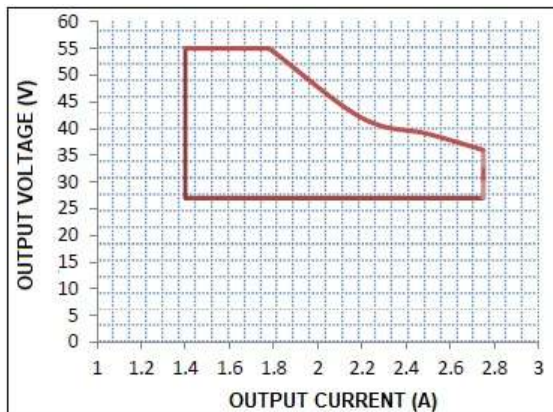
**Case Size: Series FS3**

Due to continuing efforts to offer improved products all specifications are subject to change without prior notice

INPUT VOLTAGE	INPUT CURRENT	INPUT WATTS	OUTPUT POWER WATTS MAX	OUTPUT VOLTAGE	OUTPUT CURRENT AMPS	MODEL
120	0.94A	113	98	24 to 47V	0.7 - 2.1A	PU2100C98WRD
277	0.41A					

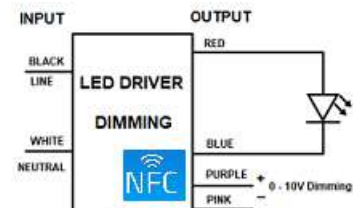
### LIMITED WARRANTY

5 YEAR at maximum case temperature 75 deg C. 3 YEAR at maximum case temperature 90 deg C. Manufacturer warrants to the purchaser: Product will be free from defects in material or workmanship from the date of manufacture conditioned upon proper storage, installation, use, and maintenance and conformance with any recommendations of Manufacturer



### Lead Length

Colour	inc	cm
Black	6	15.2
White	6	15.2
Blue	6	15.2
Red	6	15.2
Pink	7.1	18
Purple	7.1	18



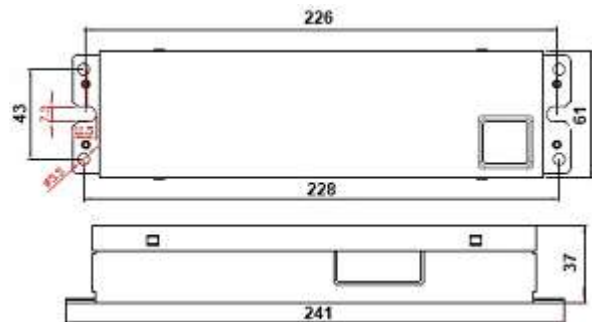
Place the Programmable Wand above the NFC Mark on LED Driver to begin Programming LED Case Should be Grounded

Case Size Series FS3

L	W	H	ML
241	61	37	226mm
9.5	2.4	1.46	8.9inch

### 0-10V Dimmer Compatibility Chart

LUTRON	LEVITON
NFTV	DS710-10Z
DVTV-WH	



**WARNING:** Always Disconnect Power Before Handling. Case Should be Grounded. Install in Accordance with National and Local Electrical Codes



# Sage

## **120-277V Programmable LED Drivers**

### **Dimming Range 5-100%**

Sage 120-277V Programmable drivers are simple to use, easy to program and do not require powering up or wiring to be programmed. These drivers offer increased productivity and flexibility for the Fixture Manufacturers to design a wide range of luminaires utilizing various light sources available to them while maintaining the lowest level of inventory possible.

It is also easy to combine into common dimming systems accessible in commercial applications. Pre-Programming is available to facilitate large production needs.

These Programmable drivers are also available in 347V Input voltage and at 15W to 98W 0-10V Dimming. Dimming Range is available at 1-100%, 5-100% and 10-100%.

Output Current: from 100mA to 2750mA



# LED DRIVER Programmable 80W 0-10V Dimming

Output Range of 27V to 55V Current 1050mA to 2100mA Max 80W

Low Profile Slim Case Size with Terminal Blocks

Universal Voltage 120-277V Electronic **Programmable (NFC)** LED Driver 0-10V Dimming 5-100%. Output Range of 15V to 55V for Single circuit 80W maximum

## Technical Specification:

Class 2 UL, CUL Recognized, ROHS Compliant

EMI FCC Part 15, Class A

Rating: TL IP 30 Damp

Output Open/Short Protection

Min. Starting Temp: 0° C

Max. Case Temp: 90° C

Typical Efficiency 87%

Input Voltage range:  $\pm 10\%$

Output Load range:  $\pm 5\%$

Input Frequency: 50/60HZ

THD: < 20%

Power Factor Min: 0.90

Remote Wiring Distance Full Load: 18AWG -18 ft

Terminal Blocks

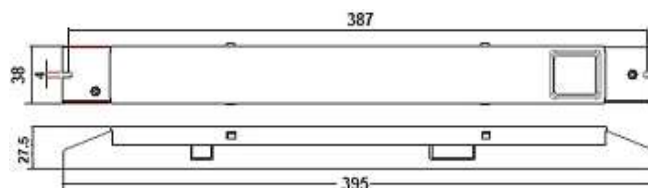
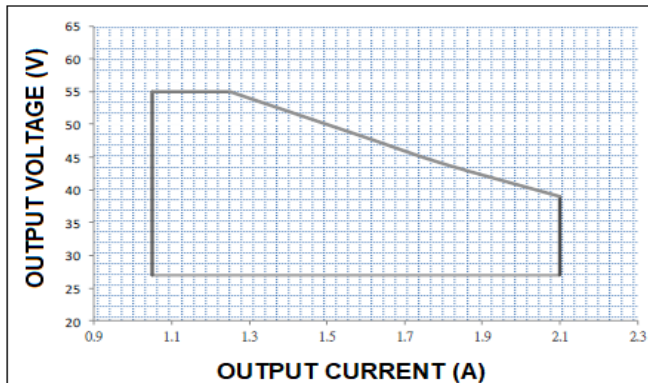
Case Size: Series E14

Due to continuing efforts to offer improved products all specifications are subject to change without prior notice

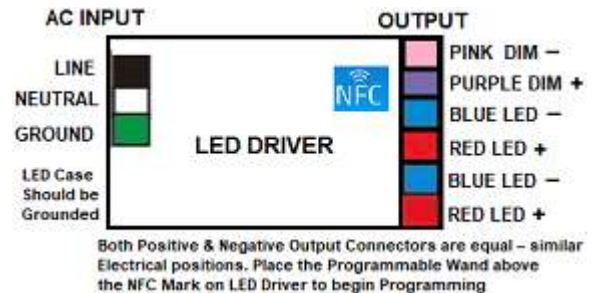
INPUT VOLTAGE	INPUT CURRENT	INPUT WATTS	OUTPUT POWER WATTS MAX	OUTPUT VOLTAGE	OUTPUT CURRENT AMPS	MODEL
120	0.76A	89	80	27 to 55V	1.05 - 2.1A	PU2100C80WS-D5
277	0.33A					

### LIMITED WARRANTY

5 YEAR at maximum case temperature 75 deg C. 3 YEAR at maximum case temperature 90 deg C. Manufacturer warrants to the purchaser: Product will be free from defects in material or workmanship from the date of manufacture conditioned upon proper storage, installation, use, and maintenance and conformance with any recommendations of Manufacturer



**WARNING:** Always Disconnect Power Before Handling. Case Should be Grounded. Install in Accordance with National and Local Electrical Codes



### 0-10V Dimmer Compatibility Chart

LUTRON	LEVITON
NFTV	DS710-10Z
DVTV-WH	

### Case Size Series E14

L	W	H	ML
395	38	27.5	387mm
15.5	1.49	1.08	15.23inch

# LED DRIVER Programmable 80W 0-10V Dimming

Output Range of 27V to 55V Current 1050mA to 2100mA Max 80W

Short case with Leads

Universal Voltage 120-277V Electronic **Programmable (NFC)** LED Driver 0-10V Dimming 5-100%. Output Range of 27V to 55V for Single circuit 80W maximum.

## Technical Specification:

Class 2 UL, CUL Recognized, ROHS Compliant  
 EMI FCC Part 15, Class A  
 Rating: TL IP 64 Damp  
 Output Open/Short Protection  
 Min. Starting Temp: 0° C  
 Max. Case Temp: 90° C  
 Typical Efficiency 87%

Input Voltage range:  $\pm 10\%$   
 Output Load range:  $\pm 5\%$   
 Input Frequency: 50/60HZ  
 THD: < 20%  
 Power Factor Min: 0.90  
 Remote Wiring Distance Full Load: 18AWG -18 ft

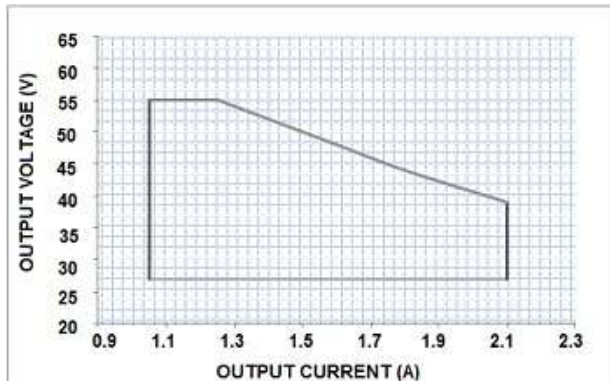
Case Size: Series FS3

Due to continuing efforts to offer improved products all specifications are subject to change without prior notice

INPUT VOLTAGE	INPUT CURRENT	INPUT WATTS	OUTPUT POWER WATTS MAX	OUTPUT VOLTAGE	OUTPUT CURRENT AMPS	MODEL
120	0.76A	89	80	27 to 55V	1.05 - 2.1A	PU2100C80WRSD5
277	0.33A					

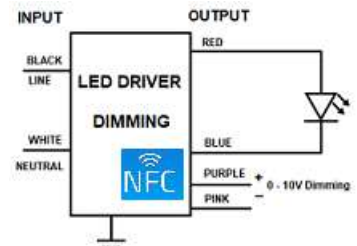
### LIMITED WARRANTY

5 YEAR at maximum case temperature 75 deg C. 3 YEAR at maximum case temperature 90 deg C. Manufacturer warrants to the purchaser: Product will be free from defects in material or workmanship from the date of manufacture conditioned upon proper storage, installation, use, and maintenance and conformance with any recommendations of Manufacturer



### Lead Length

Colour	inc	cm
Black	6	15.2
White	6	15.2
Blue	6	15.2
Red	6	15.2
Pink	7.1	18
Purple	7.1	18



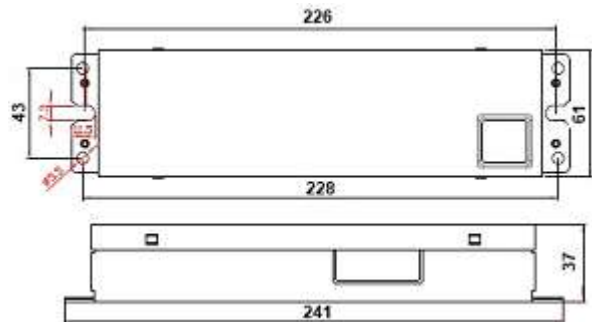
Place the Programmable Wand above the NFC Mark on LED Driver to begin Programming  
 LED Case Should be Grounded

L	W	H	ML
241	61	37	226mm
9.5	2.4	1.46	8.9inch

LUTRON	LEVITON
NFTV	DS710-10Z
DVTV-WH	

**WARNING:** Always Disconnect Power Before Handling. Case Should be Grounded. Install in Accordance with National and Local Electrical Codes



# LED DRIVER Programmable 80W 0-10V Dimming

## 5-100% Output Range of 27V to 55V Current 1.05A to 2.1A Max 80W

Short case Bottom Mount Studs with Leads

Universal Voltage 120-277V Electronic **Programmable (NFC)** LED Driver 0-10V Dimming  
**5-100%**. Output Range of 27V to 55V for Single circuit 80W maximum.

### Technical Specification:

Class 2 UL, CUL Recognized, ROHS Compliant  
 EMI FCC Part 15, Class A  
 Rating: TL IP 30 Damp  
 Output Open/Short Protection  
 Min. Starting Temp: 0° C  
 Max. Case Temp: 90° C  
 Typical Efficiency 87%

Input Voltage range:  $\pm 10\%$   
 Output Load range  $\pm 5\%$   
 Input Frequency: 50/60HZ  
 THD: < 20%  
 Power Factor Min: 0.90  
 Remote Wiring Distance Full Load: 18AWG -18 ft  
 Bottom Mount Studs

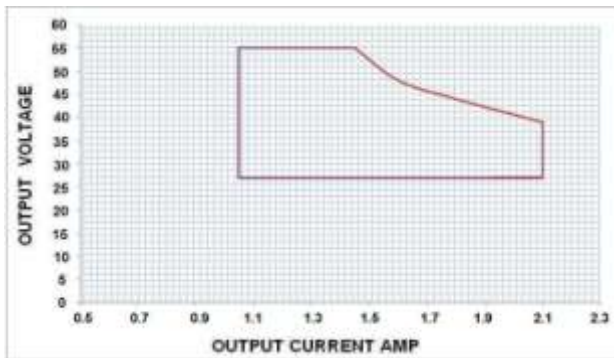
**Case Size: Series FS3**

Due to continuing efforts to offer improved products all specifications are subject to change without prior notice

INPUT VOLTAGE	INPUT CURRENT	INPUT WATTS	OUTPUT POWER WATTS MAX	OUTPUT VOLTAGE	OUTPUT CURRENT AMPS	MODEL
120	0.76A	91	80	27 to 55V	1.05 - 2.1A	<b>PU2100C80WRBD5</b>
277	0.33A					

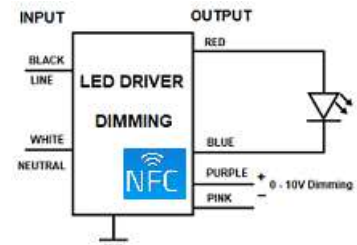
#### LIMITED WARRANTY

5 YEAR at maximum case temperature 75 deg C. 3 YEAR at maximum case temperature 90 deg C. Manufacturer warrants to the purchaser: Product will be free from defects in material or workmanship from the date of manufacture conditioned upon proper storage, installation, use, and maintenance and conformance with any recommendations of Manufacturer



#### Lead Length

Colour	inc	cm
Black	6	15.2
White	6	15.2
Blue	6	15.2
Red	6	15.2
Pink	7.1	18
Purple	7.1	18



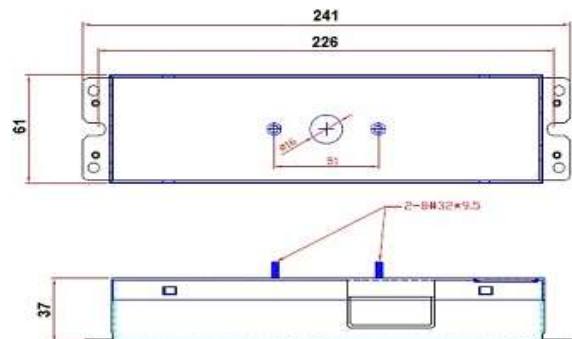
Place the Programmable Wand above the NFC Mark on LED Driver to begin Programming  
 LED Case Should be Grounded

#### 0-10V Dimmer Compatibility Chart

Case Size Series FS3

L	W	H	ML
241	61	37	226mm
9.5	2.4	1.46	8.9inch

LUTRON	LEVITON
NFTV	DS710-10Z
DVTV-WH	



**WARNING:** Always Disconnect Power Before Handling. Case Should be Grounded. Install in Accordance with National and Local Electrical Codes

# LED DRIVER Programmable 98W 0-10V Dimming

## 5-100% Output Range of 27V to 55V Current 1400mA to 2750mA Max 98W

Low Profile Slim Case Size with Terminal Blocks

Universal Voltage 120-277V Electronic **Programmable (NFC)** LED Driver 0-10V Dimming 5-100%. Output Range of 15V to 55V for Single circuit 98W maximum.

### Technical Specification:

Class 2 UL, CUL Recognized, ROHS Compliant  
 EMI FCC Part 15, Class A  
 Rating: TL IP 30 Damp  
 Output Open/Short Protection  
 Min. Starting Temp: 0° C  
 Max. Case Temp: 90° C  
 Typical Efficiency 88%

Input Voltage range:  $\pm 10\%$   
 Output Load range  $\pm 5\%$   
 Input Frequency: 50/60HZ  
 THD: < 20%  
 Power Factor Min: 0.90  
 Remote Wiring Distance Full Load: 18AWG -18 ft  
 Terminal Blocks

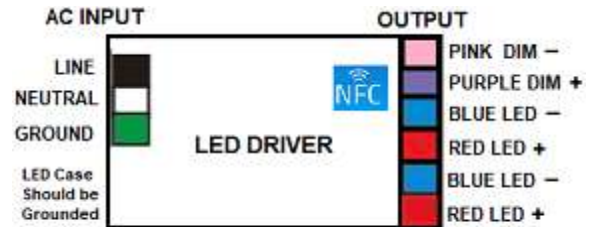
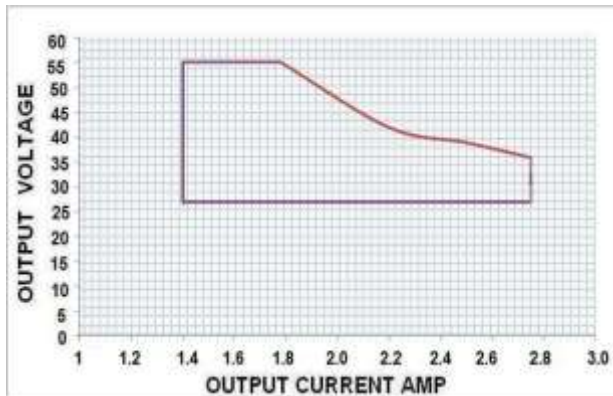
Case Size: Series E14

Due to continuing efforts to offer improved products all specifications are subject to change without prior notice

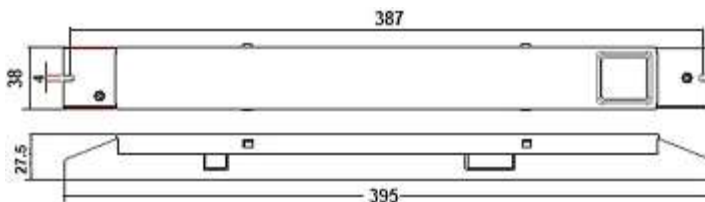
INPUT VOLTAGE	INPUT CURRENT	INPUT WATTS	OUTPUT POWER WATTS MAX	OUTPUT VOLTAGE	OUTPUT CURRENT AMPS	MODEL
120	0.93A	110	98	27 to 55V	1.4 - 2.75A	PU2750C98WS-D5
277	0.4A					

#### LIMITED WARRANTY

5 YEAR at maximum case temperature 75 deg C. 3 YEAR at maximum case temperature 90 deg C. Manufacturer warrants to the purchaser: Product will be free from defects in material or workmanship from the date of manufacture conditioned upon proper storage, installation, use, and maintenance and conformance with any recommendations of Manufacturer



Both Positive & Negative Output Connectors are equal – similar Electrical positions. Place the Programmable Wand above the NFC Mark on LED Driver to begin Programming



#### 0-10V Dimmer Compatibility Chart

LUTRON	LEVITON
NFTV	DS710-10Z
DVTV-WH	

#### Case Size Series E14

L	W	H	ML
395	38	27.5	387mm
15.5	1.49	1.08	15.23inch

**WARNING:** Always Disconnect Power Before Handling. Case Should be Grounded. Install in Accordance with National and Local Electrical Codes



# LED DRIVER Programmable 98W 0-10V Dimming

## 5-100% Output Range of 27V to 55V Current 1400mA to 2750mA Max 98W

Short case Bottom Mount Studs with leads

Universal Voltage 120-277V Electronic **Programmable (NFC)** LED Driver 0-10V Dimming 5-100%. Output Range of 15V to 55V for Single circuit 98W maximum.

### Technical Specification:

Class 2 UL, CUL Recognized, ROHS Compliant  
 EMI FCC Part 15, Class A  
 Rating: TL IP 30 Damp  
 Output Open/Short Protection  
 Min. Starting Temp: 0° C  
 Max. Case Temp: 90° C  
 Typical Efficiency 89%

Input Voltage range:  $\pm 10\%$   
 Output Load range  $\pm 5\%$   
 Input Frequency: 50/60HZ  
 THD: < 20%  
 Power Factor Min: 0.90  
 Remote Wiring Distance Full Load: 18AWG -18 ft  
 Bottom Mount Studs

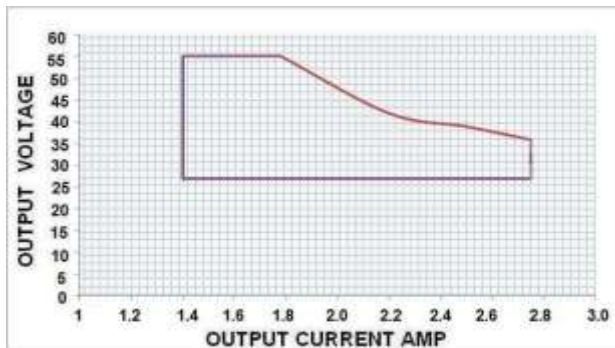
**Case Size: Series FS3**

Due to continuing efforts to offer improved products all specifications are subject to change without prior notice

INPUT VOLTAGE	INPUT CURRENT	INPUT WATTS	OUTPUT POWER WATTS MAX	OUTPUT VOLTAGE	OUTPUT CURRENT AMPS	MODEL
120	0.93A	110	98	27 to 55V	1.4 - 2.75A	<b>PU2750C98WRBD5</b>
277	0.4A					

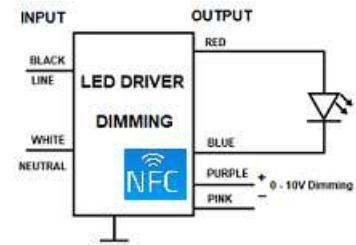
#### LIMITED WARRANTY

5 YEAR at maximum case temperature 75 deg C. 3 YEAR at maximum case temperature 90 deg C. Manufacturer warrants to the purchaser: Product will be free from defects in material or workmanship from the date of manufacture conditioned upon proper storage, installation, use, and maintenance and conformance with any recommendations of Manufacturer



#### Lead Length

Colour	inc	cm
Black	6	15.2
White	6	15.2
Blue	6	15.2
Red	6	15.2
Pink	7.1	18
Purple	7.1	18



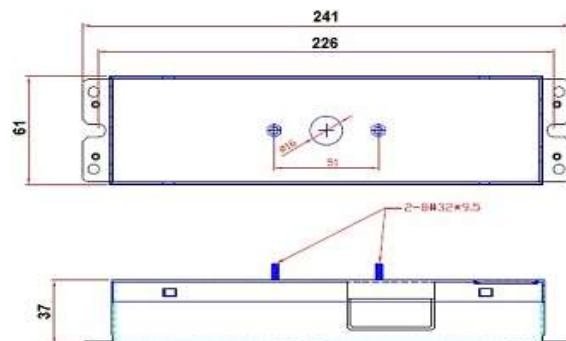
Place the Programmable Wand above the NFC Mark on LED Driver to begin Programming  
 LED Case Should be Grounded

#### Case Size Series FS3

L	W	H	ML
241	61	37	226mm
9.5	2.4	1.46	8.9inch

#### 0-10V Dimmer Compatibility Chart

LUTRON	LEVITON
NFTV	DS710-10Z
DVTV-WH	



**WARNING:** Always Disconnect Power Before Handling. Case Should be Grounded. Install in Accordance with National and Local Electrical Codes

# LED DRIVER Programmable 98W 0-10V Dimming

## 5-100% Output Range of 27V to 55V Current 1400mA to 2750mA Max 98W

Short case with Side Leads

Universal Voltage 120-277V Electronic **Programmable (NFC)** LED Driver 0-10V Dimming 5-100%. Output Range of 27V to 55V for Single circuit 98W maximum.

### Technical Specification:

Class 2 UL, CUL Recognized, ROHS Compliant  
 EMI FCC Part 15, Class A  
 Rating: TL IP 64 Damp  
 Output Open/Short Protection  
 Min. Starting Temp: 0° C  
 Max. Case Temp: 90° C  
 Typical Efficiency 89%

Input Voltage range:  $\pm 10\%$   
 Output Load range  $\pm 5\%$   
 Input Frequency: 50/60HZ  
 THD: < 20%  
 Power Factor Min: 0.90  
 Remote Wiring Distance Full Load: 18AWG -18 ft

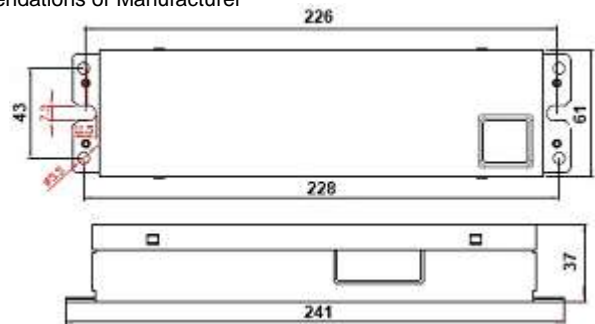
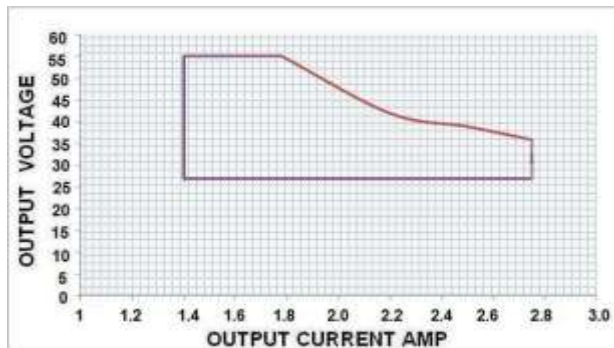
Case Size: Series FS3

Due to continuing efforts to offer improved products all specifications are subject to change without prior notice

INPUT VOLTAGE	INPUT CURRENT	INPUT WATTS	OUTPUT POWER WATTS MAX	OUTPUT VOLTAGE	OUTPUT CURRENT AMPS	MODEL
120	0.93A	110	98	27 to 55V	1.4 - 2.75A	PU2750C98WRD5
277	0.4A					

#### LIMITED WARRANTY

5 YEAR at maximum case temperature 75 deg C. 3 YEAR at maximum case temperature 90 deg C. Manufacturer warrants to the purchaser: Product will be free from defects in material or workmanship from the date of manufacture conditioned upon proper storage, installation, use, and maintenance and conformance with any recommendations of Manufacturer

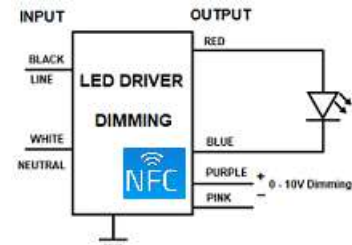


Lead Length		
Colour	inc	cm
Black	6	15.2
White	6	15.2
Blue	6	15.2
Red	6	15.2
Pink	7.1	18
Purple	7.1	18

Case Size Series FS3			
L	W	H	ML
241	61	37	226mm
9.5	2.4	1.46	8.9inch

#### 0-10V Dimmer Compatibility Chart

LUTRON	LEVITON
NFTV	DS710-10Z
DVTV-WH	



Place the Programmable Wand above the NFC Mark on LED Driver to begin Programming  
 LED Case Should be Grounded

**WARNING:** Always Disconnect Power Before Handling. Case Should be Grounded. Install in Accordance with National and Local Electrical Codes

# LED DRIVER Programmable 110W 0-10V Dimming

Output Range of 62V to 122V Current **600mA** to **1200mA** Max **110W**  
Compact Case Size with Side leads

Universal Voltage 120-277V Electronic **Programmable (NFC)** LED Driver 0-10V Dimming. Output Range of 62V to 122V for Single circuit 110W maximum.

## Technical Specification:

UL, CUL Recognized, ROHS Compliant  
EMI FCC Part 15, Class A  
Rating: TL IP 64 Damp  
Output Open/Short Protection  
Min. Starting Temp: 0° C  
Max. Case Temp: 90° C  
Typical Efficiency 87%

Input Voltage range:  $\pm 10\%$   
Output Load range  $\pm 5\%$   
Input Frequency: 50/60HZ  
THD: < 20%  
Power Factor Min: 0.90  
Remote Wiring Distance Full Load: 18AWG -18 ft

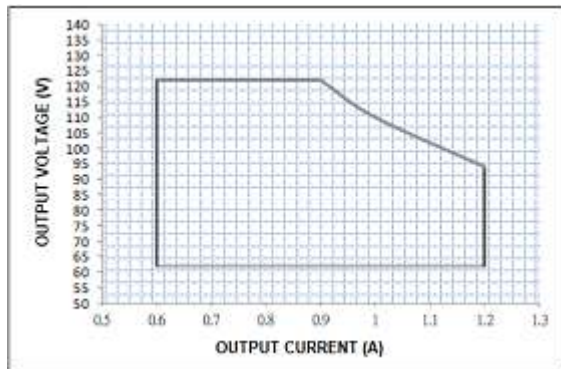
Case Size: Series CH3U

Due to continuing efforts to offer improved products all specifications are subject to change without prior notice

INPUT VOLTAGE	INPUT CURRENT	INPUT WATTS	OUTPUT POWER WATTS MAX	OUTPUT VOLTAGE	OUTPUT CURRENT AMPS	MODEL
120	1.07	128	110	62 to 122V	600-1200mA	<b>PU1200C110WSD</b>
277	0.46					

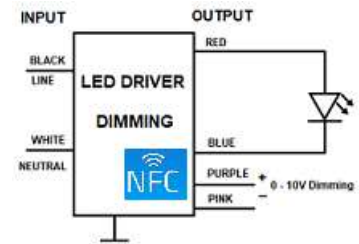
### LIMITED WARRANTY

5 YEAR at maximum case temperature 75 deg C. 3 YEAR at maximum case temperature 90 deg C. Manufacturer warrants to the purchaser: Product will be free from defects in material or workmanship from the date of manufacture conditioned upon proper storage, installation, use, and maintenance and conformance with any recommendations of Manufacturer



### Lead Length

Colour	inc	cm
Black	6	15.2
White	6	15.2
Blue	6	15.2
Red	6	15.2
Pink	7.1	18
Purple	7.1	18



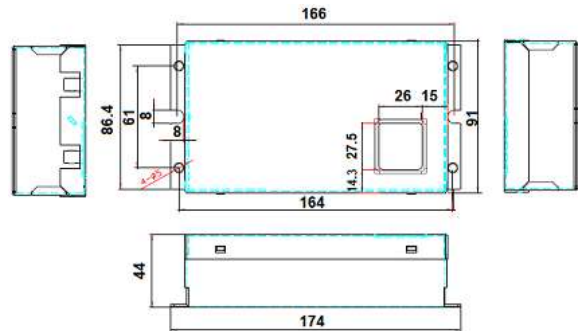
Place the Programmable Wand above the NFC Mark on LED Driver to begin Programming  
LED Case Should be Grounded

### 0-10V Dimmer Compatibility Chart

LUTRON	LEVITON
NFTV	DS710-10Z
DVTV-WH	

### Case Size Series CH3U

L	W	H	ML
174	91	44	166mm
6.85	3.58	1.7	6.54inch



**WARNING:** Always Disconnect Power Before Handling. Case Should be Grounded. Install in Accordance with National and Local Electrical Codes



# Sage

## **120-347V Multi Voltage Fixed Current LED Drivers**

Sage Multi Voltage **120V - 347V** drivers are designed to provide maximum flexibility for the Fixture Manufacturers to design a wide range of luminaires for multiple input voltage application that could be applied worldwide, while maintaining the lowest level of inventory possible.

These dimmable drivers offer flexibility for the Fixture Manufacturers to install the drivers in luminaires. It is also easy to combine into common dimming systems accessible in commercial applications.



# 120V-347V LED DRIVER 60W 0-10V Dimming

## Output Range 24V to 40V Constant Current 1500mA Max 60W

Multi Voltage 120-347V Electronic Constant Current LED Driver 0-10V Dimming. Output Range of 24V to 40V for Single circuit 60W maximum.

### Technical Specification:

Class 2 UL, CUL Certified, ROHS Compliant  
 EMI FCC Part 15, Class A  
 Rating: IP 65 Damp, Dry  
 Output Open/Short Protection  
 Min. Starting Temp: -40° C  
 Max. Case Temp: 90° C  
 Typical Efficiency: 87%

Input Voltage range:  $\pm 10\%$   
 Output Load range:  $\pm 5\%$   
 Input Frequency: 50/60HZ  
 THD: < 20%  
 Power Factor Min: 0.90  
 Remote Wiring Distance Full Load: 18AWG -18 ft

Case Size: Series MU2

Due to continuing efforts to offer improved products all specifications are subject to change without prior notice

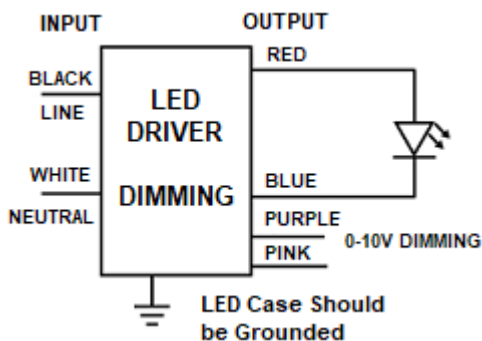
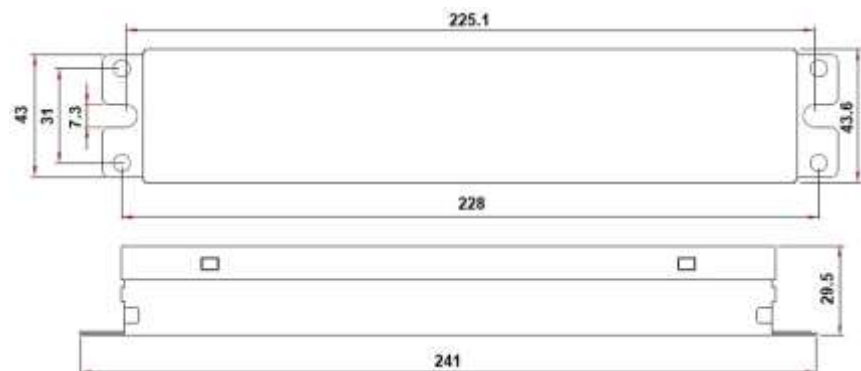
INPUT VOLTAGE	INPUT CURRENT	INPUT WATTS	OUTPUT POWER WATTS MAX	OUTPUT VOLTAGE	OUTPUT CURRENT AMPS	MODEL
120	0.60A	69	60	24 to 40V	1.5A	NM1500C60WRSD
347	0.20A					

#### LIMITED WARRANTY

5 YEAR at maximum case temperature 75 deg C. 3 YEAR at maximum case temperature 90 deg C. Manufacturer warrants to the purchaser: Product will be free from defects in material or workmanship from the date of manufacture conditioned upon proper storage, installation, use, and maintenance and conformance with any recommendations of Manufacturer

#### Lead Length

Colour	inc	cm
Black	6	15.2
White	6	15.2
Blue	6	15.2
Red	6	15.2
Pink	7.1	18
Purple	7.1	18



#### 0-10V Dimmer Compatibility Chart

LUTRON	LEVITON
NFTV	DS710-10Z
DVTV-WH	

#### Case Size Series MU2

L	W	H	ML
241	43	29.5	226mm
9.5	1.7	1.2	8.9 inch

**WARNING:** Always Disconnect Power Before Handling. Case Should be Grounded. Install in Accordance with National and Local Electrical Codes





# Sage

## Dimming

### **120-277V Linear or Circular Open Frame**

### **Fixed Current LED Drivers**

Sage offers custom design Open Frame 120V - 277V drivers to provide maximum flexibility for the Fixture Manufacturers to design low profile or circular luminaires that could be applied worldwide.

These dimmable Fixed Current drivers are currently available up to 240W at maximum 1.38 inch height. It is also easy to combine into common dimming systems accessible in commercial applications.



# LED DRIVER OPEN FRAME 32W 0-10V Dimming

## Output Range 22V to 36V Constant Current 900mA Max 32W

Universal Voltage 120-277V Electronic Constant Current Open Frame LED Driver 0-10V Dimming. Output Range of 22V to 36V for Single circuit 32W maximum.

### Technical Specification:

ROHS Compliant

EMI FCC Part 15, Class A

Output Open/Short Protection

Min. Starting Temp: - 40° C

Max. Case Temp: 70° C

Typical Efficiency: 85%

Open Frame

Input Voltage range:  $\pm 10\%$

Output Load range  $\pm 5\%$

Input Frequency: 50/60HZ

THD: < 20%

Power Factor Min: 0.90

Remote Mounting Distance: 18AWG -18 ft

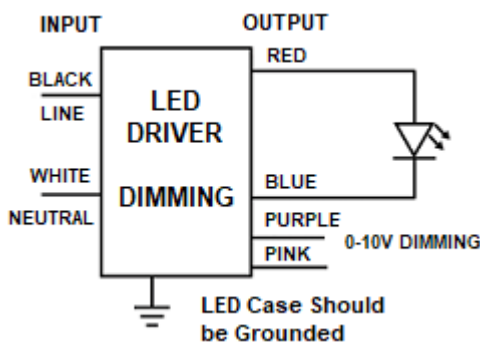
Case Size: OP1D

Due to continuing efforts to offer improved products all specifications are subject to change without prior notice

INPUT VOLTAGE	INPUT CURRENT	INPUT WATTS	OUTPUT POWER WATTS MAX	OUTPUT VOLTAGE	OUTPUT CURRENT AMPS	MODEL
120	0.32A	38	32	22 to 36V	0.9A	OU900C32WSD
277	0.14A					

#### LIMITED WARRANTY

2 YEAR at maximum case temperature 70 deg C. Manufacturer warrants to the purchaser: Product will be free from defects in material or workmanship from the date of manufacture conditioned upon proper storage, installation, use, and maintenance and conformance with any recommendations of Manufacturer



#### Open Frame Approx Dimensions

L	W	H
150mm	30mm	23mm
5.9inch	1.18inch	0.9inch

#### 0-10V Dimmer Compatibility Chart

LUTRON	LEVITON
NFTV	DS710-10Z
DVTV-WH	

**WARNING:** Always Disconnect Power Before Handling. Case Should be Grounded. Install in Accordance with National and Local Electrical Codes

# CIRCULAR LED DRIVER OPEN FRAME 0-10V Dimming

## Output Range 22V to 36V Constant Current **1670mA** Max **60W**

Universal Voltage 120-277V Electronic Constant Current Open Frame Circular LED Driver 0-10V Dimming. Output Range of 22V to 36V for Single circuit 60W maximum.

### Technical Specification:

ROHS Compliant  
 EMI FCC Part 15, Class A  
 Rating: Surge: 2KV  
 Output Open/Short Protection  
 Min. Starting Temp: - 40° C  
 Max. Temp: 50° C  
 Typical Efficiency: 88%  
 Open Frame

Input Voltage range:  $\pm 10\%$   
 Output Load range  $\pm 5\%$   
 Input Frequency: 50/60HZ  
 THD: < 20%  
 Power Factor Min: 0.90  
 Remote Wiring Distance Full Load: 18AWG -18 ft

**Case Size: Series OP2D**

Due to continuing efforts to offer improved products all specifications are subject to change without prior notice

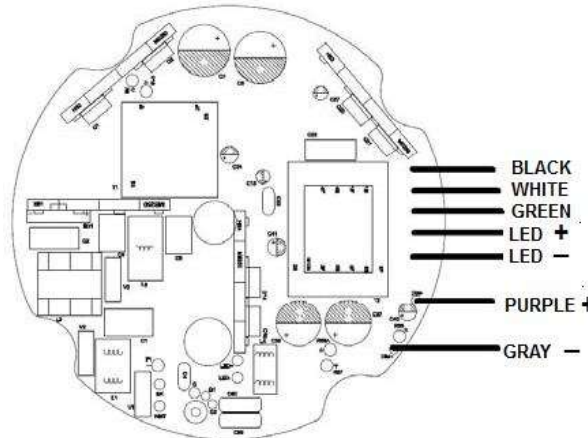
INPUT VOLTAGE	INPUT CURRENT	INPUT WATTS	OUTPUT POWER WATTS MAX	OUTPUT VOLTAGE	OUTPUT CURRENT AMPS	MODEL
120V-277V	0.6A - 0.26A	68	60	22 to 36V	1.67A	<b>OU1670C60WSD</b>

#### LIMITED WARRANTY

3 YEAR at maximum case temperature 50 deg C. Manufacturer warrants to the purchaser: Product will be free from defects in material or workmanship from the date of manufacture conditioned upon proper storage, installation, use, and maintenance and conformance with any recommendations of Manufacturer

#### Lead Length

Colour	inc	cm
Black	6	15.2
White	6	15.2
Blue	6	15.2
Red	6	15.2
Pink	7.1	18
Purple	7.1	18



#### 0-10V Dimmer Compatibility Chart

LUTRON	LEVITON
NFTV	DS710-10Z
DVTV-WH	

Series OP2D Diameter Height  
 Case Size 111mm 35mm  
 4.37inch 1.38inch

**WARNING:** Always Disconnect Power Before Handling. Case Should be Grounded. Install in Accordance with National and Local Electrical Codes

# CIRCULAR LED DRIVER OPEN FRAME 0-10V Dimming

## Output Range 22V to 36V Constant Current 2780mA Max 100W

Universal Voltage 120-277V Electronic Constant Current Open Frame Circular LED Driver 0-10V Dimming. Output Range of 22V to 36V for Single circuit 100W maximum.

### Technical Specification:

ROHS Compliant

EMI FCC Part 15, Class A

Rating: Surge: 2KV

Output Open/Short Protection

Min. Starting Temp: - 40° C

Max. Temp: 50° C

Typical Efficiency: 88%

Open Frame

Input Voltage range:  $\pm 10\%$

Output Load range:  $\pm 5\%$

Input Frequency: 50/60HZ

THD: < 20%

Power Factor Min: 0.90

Remote Wiring Distance Full Load: 18AWG -18 ft

Case Size: Series OP2D

Due to continuing efforts to offer improved products all specifications are subject to change without prior notice

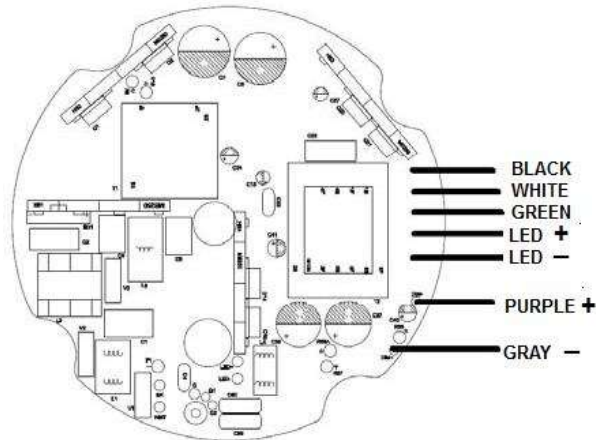
INPUT VOLTAGE	INPUT CURRENT	INPUT WATTS	OUTPUT POWER WATTS MAX	OUTPUT VOLTAGE	OUTPUT CURRENT AMPS	MODEL
120V-277V	0.96A - 0.42A	114	100	22 to 36V	2.78A	<b>OU2780C100WSD</b>

#### LIMITED WARRANTY

3 YEAR at maximum case temperature 50 deg C. Manufacturer warrants to the purchaser: Product will be free from defects in material or workmanship from the date of manufacture conditioned upon proper storage, installation, use, and maintenance and conformance with any recommendations of Manufacturer

#### Lead Length

Colour	inc	cm
Black	6	15.2
White	6	15.2
Blue	6	15.2
Red	6	15.2
Pink	7.1	18
Purple	7.1	18



Series OP2D Diameter Height  
Case Size 111mm 35mm  
4.37inch 1.38inch

#### 0-10V Dimmer Compatibility Chart

LUTRON	LEVITON
NFTV	DS710-10Z
DVTV-WH	

**WARNING:** Always Disconnect Power Before Handling. Case Should be Grounded. Install in Accordance with National and Local Electrical Codes

901 - 3rd Street West, North Vancouver, BC V7P 3P9 Canada  
TEL: 604-904-9533  
www.sagedrivers.com www.sagelighting.com

*Sage  
Lighting Ltd.*

# CIRCULAR LED DRIVER OPEN FRAME 0-10V Dimming

## Output Range 22V to 36V Constant Current 4500mA Max 160W

Universal Voltage 120-277V Electronic Constant Current Open Frame Circular LED Driver 0-10V Dimming. Output Range of 22V to 36V for Single circuit 160W maximum.

### Technical Specification:

ROHS Compliant  
 EMI FCC Part 15, Class A  
 Rating: Surge: 2KV  
 Output Open/Short Protection  
 Min. Starting Temp: - 40° C  
 Max. Temp: 50° C  
 Typical Efficiency: 88%  
 Open Frame

Input Voltage range:  $\pm 10\%$   
 Output Load range  $\pm 5\%$   
 Input Frequency: 50/60HZ  
 THD: < 20%  
 Power Factor Min: 0.90  
 Remote Wiring Distance Full Load: 18AWG -18 ft  
 Dimming: 3 in 1 (PWM, 1-10V, Resistance)

Case Size: Series OP3D

Due to continuing efforts to offer improved products all specifications are subject to change without prior notice

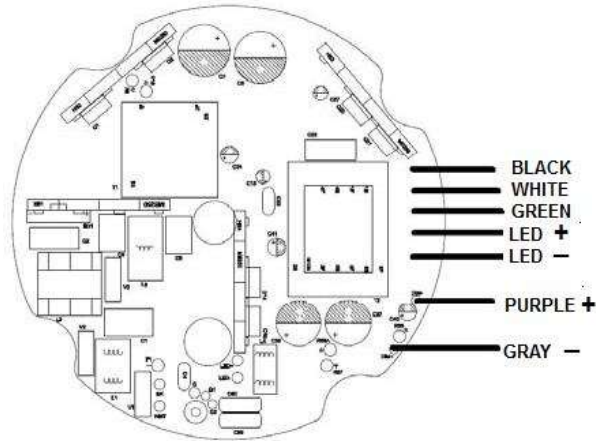
INPUT VOLTAGE	INPUT CURRENT	INPUT WATTS	OUTPUT POWER WATTS MAX	OUTPUT VOLTAGE	OUTPUT CURRENT AMPS	MODEL
120V-277V	1.48A - 0.64A	182	160	22 to 36V	4.5A	<b>OU4500C160WSD</b>

#### LIMITED WARRANTY

3 YEAR at maximum case temperature 50 deg C. Manufacturer warrants to the purchaser: Product will be free from defects in material or workmanship from the date of manufacture conditioned upon proper storage, installation, use, and maintenance and conformance with any recommendations of Manufacturer

#### Lead Length

Colour	inc	cm
Black	6	15.2
White	6	15.2
Blue	6	15.2
Red	6	15.2
Pink	7.1	18
Purple	7.1	18



Series OP3D Diameter Height  
 Case Size 132mm 35mm  
 5.2inch 1.38inch

#### 0-10V Dimmer Compatibility Chart

LUTRON	LEVITON
NFTV	DS710-10Z
DVTV-WH	

**WARNING:** Always Disconnect Power Before Handling. Case Should be Grounded. Install in Accordance with National and Local Electrical Codes

# CIRCULAR LED DRIVER OPEN FRAME 0-10V Dimming

## Output Range 22V to 36V Constant Current **6670mA** Max **240W**

Universal Voltage 120-277V Electronic Constant Current Open Frame Circular LED Driver 0-10V Dimming. Output Range of 22V to 36V for Single circuit 240W maximum.

### Technical Specification:

ROHS Compliant  
 EMI FCC Part 15, Class A  
 Rating: Surge: 2KV  
 Output Open/Short Protection  
 Min. Starting Temp: - 40° C  
 Max. Temp: 50° C  
 Typical Efficiency: 88%  
 Open Frame

Input Voltage range: **± 10%**  
 Output Load range **± 5%**  
 Input Frequency: **50/60HZ**  
 THD: **< 20%**  
 Power Factor Min: **0.90**  
 Remote Wiring Distance Full Load: 18AWG -18 ft

**Case Size: Series OP4D**

Due to continuing efforts to offer improved products all specifications are subject to change without prior notice

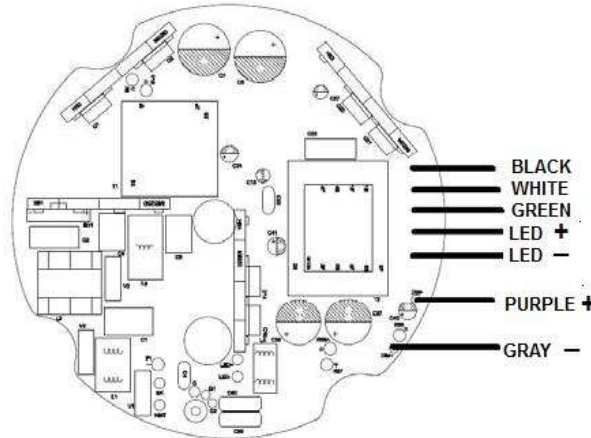
INPUT VOLTAGE	INPUT CURRENT	INPUT WATTS	OUTPUT POWER WATTS MAX	OUTPUT VOLTAGE	OUTPUT CURRENT AMPS	MODEL
120V-277V	2.23A - 0.96A	273	240	22 to 36V	6.67A	<b>OU6670C240WSD</b>

#### LIMITED WARRANTY

3 YEAR at maximum case temperature 50 deg C. Manufacturer warrants to the purchaser: Product will be free from defects in material or workmanship from the date of manufacture conditioned upon proper storage, installation, use, and maintenance and conformance with any recommendations of Manufacturer

#### Lead Length

Colour	inc	cm
Black	6	15.2
White	6	15.2
Blue	6	15.2
Red	6	15.2
Pink	7.1	18
Purple	7.1	18



#### 0-10V Dimmer Compatibility Chart

LUTRON	LEVITON
NFTV	DS710-10Z
DVTV-WH	

Series OP4D Diameter Height  
 Case Size 150mm 35mm  
 5.9inch 1.38inch

**WARNING:** Always Disconnect Power Before Handling. Case Should be Grounded. Install in Accordance with National and Local Electrical Codes





# Sage

## **Non-Dimming Circular Open Frame**

## **Constant Voltage 120-277V LED Drivers**

Sage offers custom design Open Frame 120V - 277V drivers to provide maximum flexibility for the Fixture Manufacturers to design low profile or circular luminaires that could be applied worldwide.

These non-dimmable Constant Voltage drivers are currently available up to 240W at maximum 1.38 inch height.



# CIRCULAR LED DRIVER OPEN FRAME Single Output

## Low Voltage 36V Output Constant Voltage Max **60W**

Electronic Universal Voltage Input 120V-277V Open Frame Circular LED Driver. 36V output Constant Voltage for Single circuit 60W maximum.

### Technical Specification:

ROHS Compliant

EMI FCC Part 15, Class A

Rating: Surge: 2KV

Output Open/Short Protection

Min. Starting Temp: - 40° C

Max. Temp: 50° C

Typical Efficiency: 88%

Input Voltage range:  $\pm 10\%$

Output Load range  $\pm 5\%$

Input Frequency: 50/60HZ

THD: < 20%

Power Factor Min: 0.90

Remote Wiring Distance Full Load: 18AWG -18 ft  
Open Frame

**Case Size: Series OP2D**

Due to continuing efforts to offer improved products all specifications are subject to change without prior notice

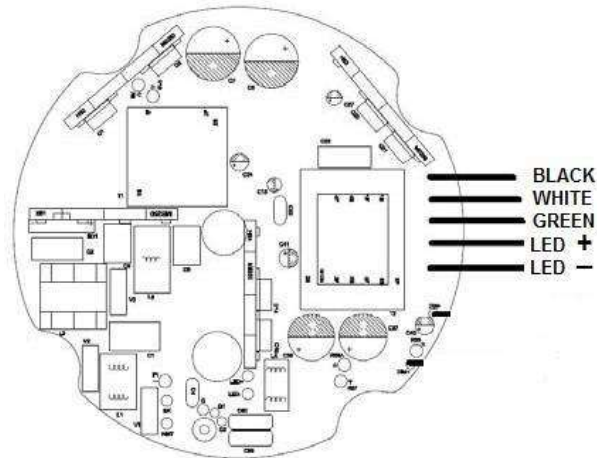
INPUT VOLTAGE	INPUT CURRENT	INPUT WATTS	OUTPUT POWER WATTS MAX	OUTPUT VOLTAGE	OUTPUT CURRENT AMPS	MODEL
120V-277V	0.26A – 0.60A	69	60	36V	1.66A	<b>OU36V60WS</b>

#### LIMITED WARRANTY

3 YEAR at maximum case temperature 50 deg C. Manufacturer warrants to the purchaser: Product will be free from defects in material or workmanship from the date of manufacture conditioned upon proper storage, installation, use, and maintenance and conformance with any recommendations of Manufacturer

#### Lead Length

Colour	inch	cm
Black	11.8	30
White	11.8	30
Green	11.8	30
Blue	7.8	20
Red	7.8	20



Series OP2D Diameter Height  
Case Size 111mm 35mm  
4.37inch 1.38inch

**WARNING:** Always Disconnect Power Before Handling. Case Should be Grounded. Install in Accordance with National and Local Electrical Codes

901 - 3rd Street West, North Vancouver, BC V7P 3P9 Canada

TEL: 604-904-9533

www.sagedrivers.com www.sagelighting.com

*Sage  
Lighting Ltd.*

# CIRCULAR LED DRIVER OPEN FRAME Single Output

## Low Voltage 36V Output Constant Voltage Max **100W**

Electronic Universal Voltage Input 120V-277V Open Frame Circular LED Driver. 36V output Constant Voltage for Single circuit 100W maximum.

### Technical Specification:

ROHS Compliant

EMI FCC Part 15, Class A

Rating: Surge: 2KV

Output Open/Short Protection

Min. Starting Temp: - 40° C

Max. Temp: 50° C

Typical Efficiency: 88%

Input Voltage range:  $\pm 10\%$

Output Load range  $\pm 5\%$

Input Frequency: 50/60HZ

THD: < 20%

Power Factor Min: 0.90

Remote Wiring Distance Full Load: 18AWG -18 ft  
Open Frame

**Case Size: Series OP2D**

Due to continuing efforts to offer improved products all specifications are subject to change without prior notice

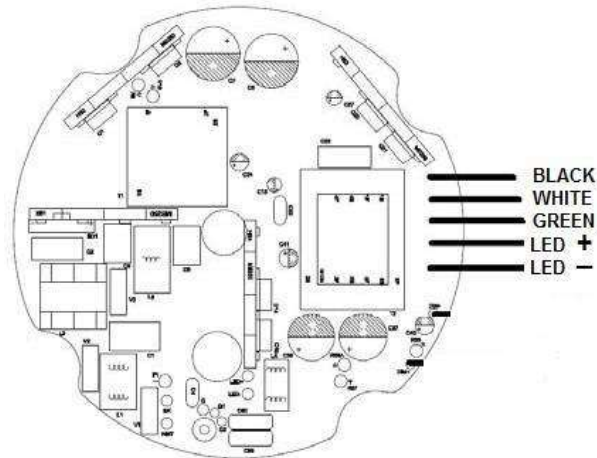
INPUT VOLTAGE	INPUT CURRENT	INPUT WATTS	OUTPUT POWER WATTS MAX	OUTPUT VOLTAGE	OUTPUT CURRENT AMPS	MODEL
120V-277V	0.42A – 0.98A	114	100	36V	2.77A	<b>OU36V100WS</b>

#### LIMITED WARRANTY

3 YEAR at maximum case temperature 50 deg C. Manufacturer warrants to the purchaser: Product will be free from defects in material or workmanship from the date of manufacture conditioned upon proper storage, installation, use, and maintenance and conformance with any recommendations of Manufacturer

#### Lead Length

Colour	inch	cm
Black	11.8	30
White	11.8	30
Green	11.8	30
Blue	7.8	20
Red	7.8	20



Series OP2D Diameter Height  
Case Size 111mm 35mm  
4.37inch 1.38inch

**WARNING:** Always Disconnect Power Before Handling. Case Should be Grounded. Install in Accordance with National and Local Electrical Codes

901 - 3rd Street West, North Vancouver, BC V7P 3P9 Canada

TEL: 604-904-9533

www.sagedrivers.com www.sagelighting.com

*Sage  
Lighting Ltd.*

# CIRCULAR LED DRIVER OPEN FRAME Single Output

## Low Voltage 36V Output Constant Voltage Max **160W**

Electronic Universal Voltage Input 120V-277V Open Frame Circular LED Driver. 36V output Constant Voltage for Single circuit 100W maximum.

### Technical Specification:

ROHS Compliant

EMI FCC Part 15, Class A

Rating: Surge: 2KV

Output Open/Short Protection

Min. Starting Temp: - 40° C

Max. Temp: 50° C

Typical Efficiency: 88%

Input Voltage range:  $\pm 10\%$

Output Load range  $\pm 5\%$

Input Frequency: 50/60HZ

THD: < 20%

Power Factor Min: 0.90

Remote Wiring Distance Full Load: 18AWG -18 ft  
Open Frame

**Case Size: Series OP3D**

Due to continuing efforts to offer improved products all specifications are subject to change without prior notice

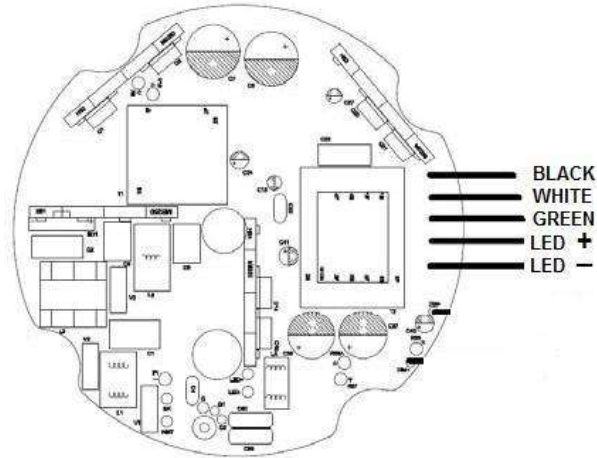
INPUT VOLTAGE	INPUT CURRENT	INPUT WATTS	OUTPUT POWER WATTS MAX	OUTPUT VOLTAGE	OUTPUT CURRENT AMPS	MODEL
120V-277V	0.64A – 1.48A	178	160	36V	4.44A	<b>OU36V160WS</b>

#### LIMITED WARRANTY

3 YEAR at maximum case temperature 50 deg C. Manufacturer warrants to the purchaser: Product will be free from defects in material or workmanship from the date of manufacture conditioned upon proper storage, installation, use, and maintenance and conformance with any recommendations of Manufacturer

#### Lead Length

Colour	inch	cm
Black	11.8	30
White	11.8	30
Green	11.8	30
Blue	7.8	20
Red	7.8	20



Series OP3D Diameter Height  
Case Size 132mm 35mm  
5.2inch 1.38inch

**WARNING:** Always Disconnect Power Before Handling. Case Should be Grounded. Install in Accordance with National and Local Electrical Codes

# CIRCULAR LED DRIVER OPEN FRAME Single Output

## Low Voltage 36V Output Constant Voltage Max **240W**

Electronic Universal Voltage Input 120V-277V Open Frame Circular LED Driver. 36V output Constant Voltage for Single circuit 240W maximum.

### Technical Specification:

ROHS Compliant

EMI FCC Part 15, Class A

Rating: Surge: 2KV

Output Open/Short Protection

Min. Starting Temp: - 40° C

Max. Temp: 50° C

Typical Efficiency: 89%

Input Voltage range:  $\pm 10\%$

Output Load range  $\pm 5\%$

Input Frequency: 50/60HZ

THD: < 20%

Power Factor Min: 0.90

Remote Wiring Distance Full Load: 18AWG -18 ft  
Open Frame

**Case Size: Series OP4D**

Due to continuing efforts to offer improved products all specifications are subject to change without prior notice

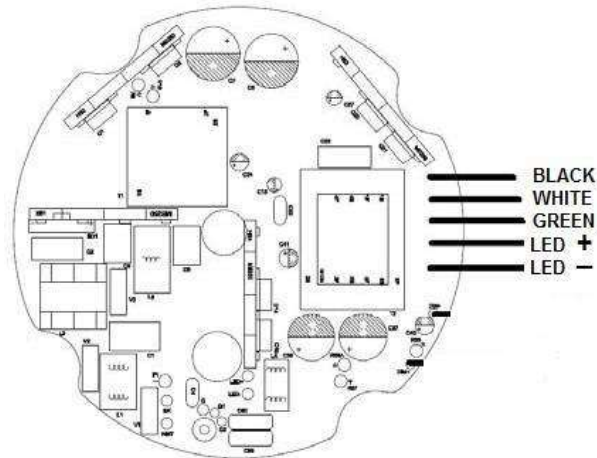
INPUT VOLTAGE	INPUT CURRENT	INPUT WATTS	OUTPUT POWER WATTS MAX	OUTPUT VOLTAGE	OUTPUT CURRENT AMPS	MODEL
120V-277V	0.96A – 2.23A	267	240	36V	6.66A	<b>OU36V240WS</b>

#### LIMITED WARRANTY

3 YEAR at maximum case temperature 50 deg C. Manufacturer warrants to the purchaser: Product will be free from defects in material or workmanship from the date of manufacture conditioned upon proper storage, installation, use, and maintenance and conformance with any recommendations of Manufacturer

#### Lead Length

Colour	inch	cm
Black	11.8	30
White	11.8	30
Green	11.8	30
Blue	7.8	20
Red	7.8	20



Series OP4D Diameter Height  
Case Size 150mm 35mm  
5.9inch 1.38inch

**WARNING:** Always Disconnect Power Before Handling. Case Should be Grounded. Install in Accordance with National and Local Electrical Codes

901 - 3rd Street West, North Vancouver, BC V7P 3P9 Canada  
TEL: 604-904-9533  
www.sagedrivers.com www.sagelighting.com

*Sage  
Lighting Ltd.*

# Sage

## Dimming

### Fixed Current High KV Surge

## 120-277V LED Drivers

These drivers are available in different case dimensions with Output terminal blocks and input leads options for the Fixture Manufacturers to install the drivers in luminaires. It is also easy to combine into common dimming systems accessible in commercial applications.

Dimmable or non-dimmable options in 120-277V or 347V Input voltages are offered





# LED DRIVER 120W 0-10V Dimming

Output Range 70V to 114V Constant Current **1050mA** Max **120W**  
Surge 6KV

Universal Voltage 120-277V Electronic Constant Current 1050mA LED Driver. 0-10V Dimming. Output Range of 70V to 114V for Single circuit 120W maximum.

## Technical Specification:

UL, CUL Recognized, ROHS Compliant  
EMI FCC Part 15, Class A  
Rating: IP 65 Damp, Dry  
Output Open/Short Protection  
Min. Starting Temp: - 40° C  
Max. Case Temp: 90° C down to 25% load  
Typical Efficiency: 90%

Input Voltage range:  $\pm 10\%$   
Output Load range  $\pm 5\%$   
Input Frequency: 50/60HZ  
THD: < 20%  
Power Factor Min: 0.90  
Remote Wiring Distance Full Load: 18AWG - 18 ft  
Surge: 6KV

Case Size: Series FS4

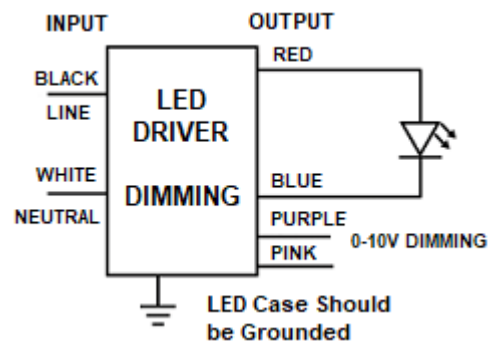
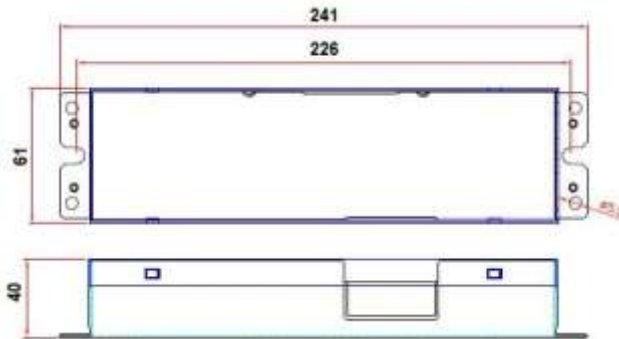
Due to continuing efforts to offer improved products all specifications are subject to change without prior notice

1/9/17

INPUT VOLTAGE	INPUT CURRENT	INPUT WATTS	OUTPUT POWER WATTS MAX	OUTPUT VOLTAGE	OUTPUT CURRENT AMPS	MODEL
120V-277V	1.45A - 0.64A	134	120	70 to 114V	1.05A	<b>NU1050C120WSD</b>

### LIMITED WARRANTY

5 YEAR at maximum case temperature 75 deg C. 3 YEAR at maximum case temperature 90 deg C. Manufacturer warrants to the purchaser: Product will be free from defects in material or workmanship from the date of manufacture conditioned upon proper storage, installation, use, and maintenance and conformance with any recommendations of Manufacturer



### Lead Length

Colour	inc	cm
Black	6	15.2
White	6	15.2
Blue	6	15.2
Red	6	15.2
Pink	7.1	18
Purple	7.1	18

### 0-10V Dimmer Compatibility Chart

LUTRON	LEVITON
NFTV	DS710-10Z
DVTV-WH	

### Case Size Series FS4

L	W	H	ML
241	61	40	226mm
9.5	2.4	1.57	8.9inch

**WARNING:** Always Disconnect Power Before Handling. Case Should be Grounded. Install in Accordance with National and Local Electrical Codes

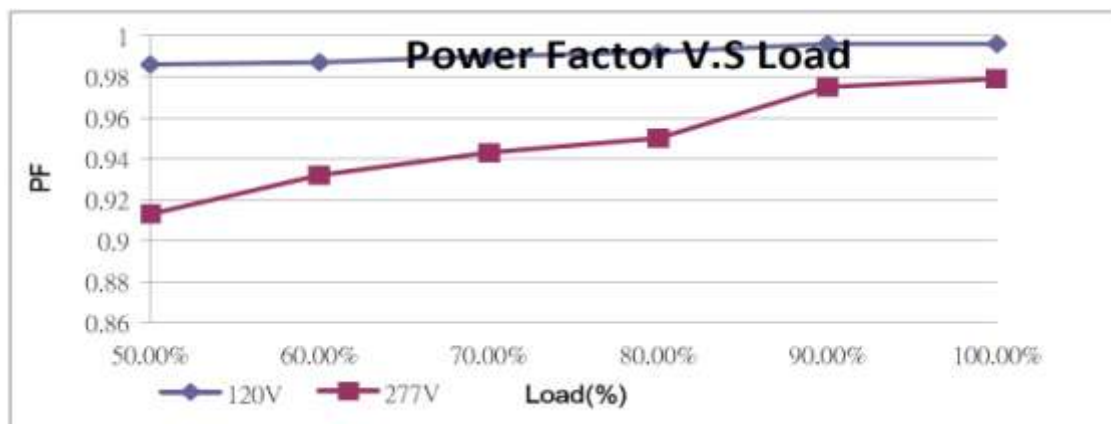
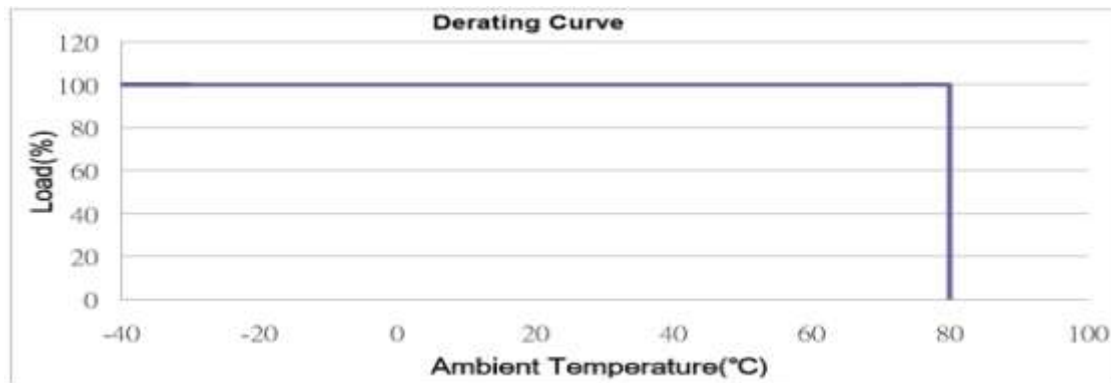
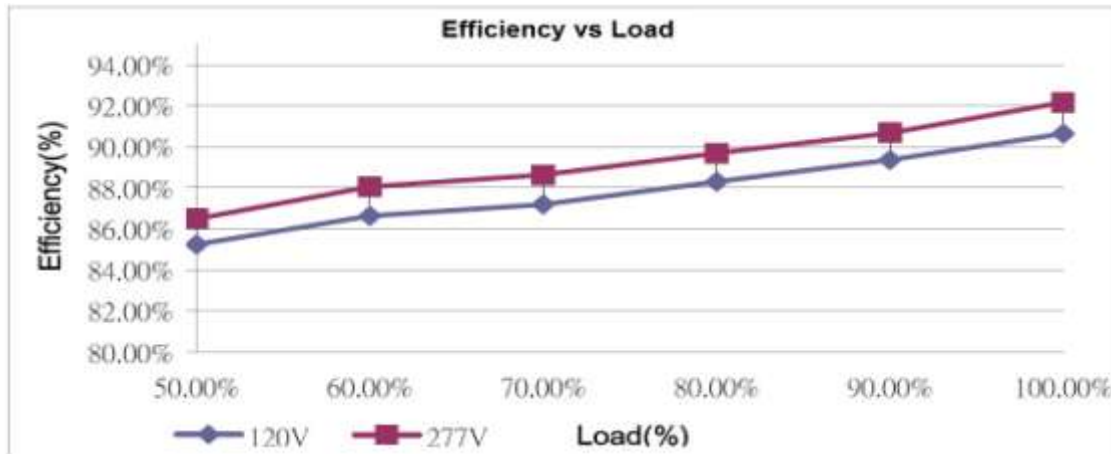
# LED DRIVER 120W 0-10V Dimming

Output Range 70V to 114V Constant Current **1050mA** Max **120W**

Surge 6KV

NU1050C120WSD Series FS4

Page...2



# LED DRIVER 200W 0-10V Dimming

Output Range 114V to 190V Constant Current **1050mA** Max **200W**  
Surge 6KV

Universal Voltage 120-277V Electronic Constant Current LED Driver 0-10V Dimming. Output Range of 114V to 190V for Single circuit 200W maximum.

## Technical Specification:

UL, CUL Recognized, ROHS Compliant  
EMI FCC Part 15, Class A  
Rating: IP 65 Damp, Dry  
Output Open/Short Protection  
Min. Starting Temp: - 40° C  
Max. Case Temp: 90° C  
Typical Efficiency: 93%

Input Voltage range:  $\pm 10\%$   
Output Load range:  $\pm 5\%$   
Input Frequency: 50/60HZ  
THD: < 20%  
Power Factor Min: 0.90  
Remote Wiring Distance Full Load: 18AWG - 18 ft  
Surge: 6KV

Case Size: Series FS5

Due to continuing efforts to offer improved products all specifications are subject to change without prior notice 1/10/20

INPUT VOLTAGE	INPUT CURRENT	INPUT WATTS	OUTPUT POWER WATTS MAX	OUTPUT VOLTAGE	OUTPUT CURRENT AMPS	MODEL
120V-277V	1.78A - 0.78A	215	200	114 to 190V	1.05A	<b>NU1050C200WSD</b>

### LIMITED WARRANTY

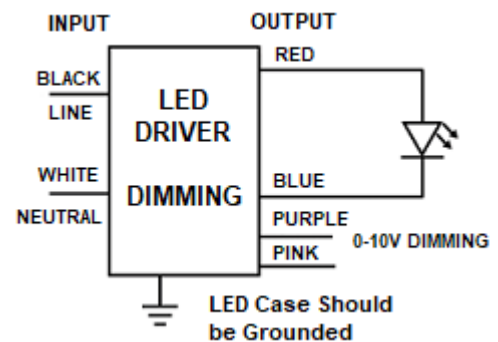
5 YEAR at maximum case temperature 75 deg C. 3 YEAR at maximum case temperature 90 deg C. Manufacturer warrants to the purchaser: Product will be free from defects in material or workmanship from the date of manufacture conditioned upon proper storage, installation, use, and maintenance and conformance with any recommendations of Manufacturer

### Lead Length

Colour	inc	cm
Black	6	15.2
White	6	15.2
Blue	6	15.2
Red	6	15.2
Pink	7.1	18
Purple	7.1	18

### 0-10V Dimmer Compatibility Chart

LUTRON	LEVITON
NFTV	DS710-10Z
DVTV-WH	



### Case Size Series FS5

L	W	H	ML
241	66	40.5	226mm
9.5	2.6	1.6	8.9inch



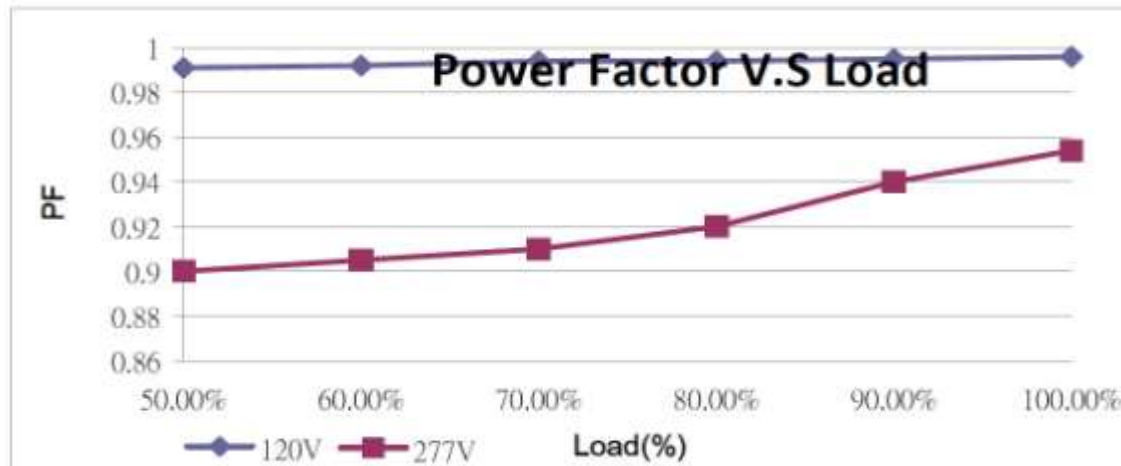
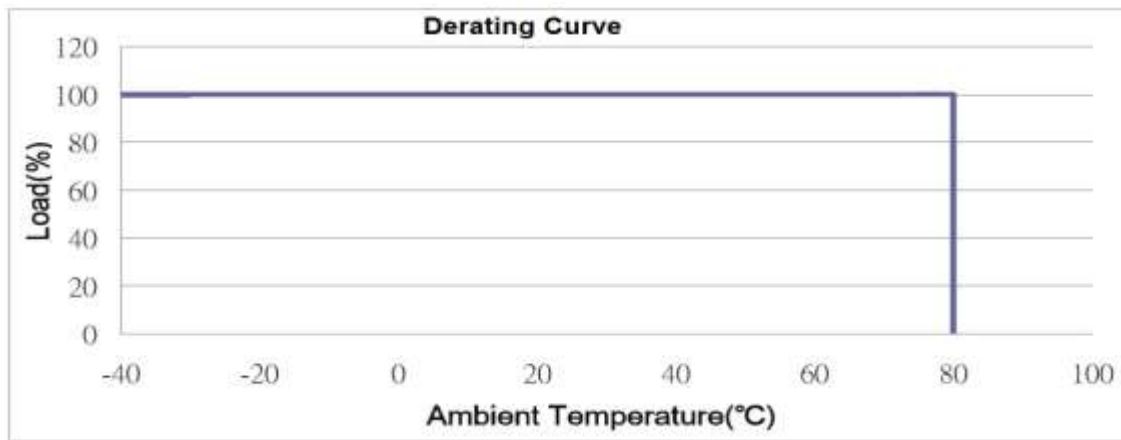
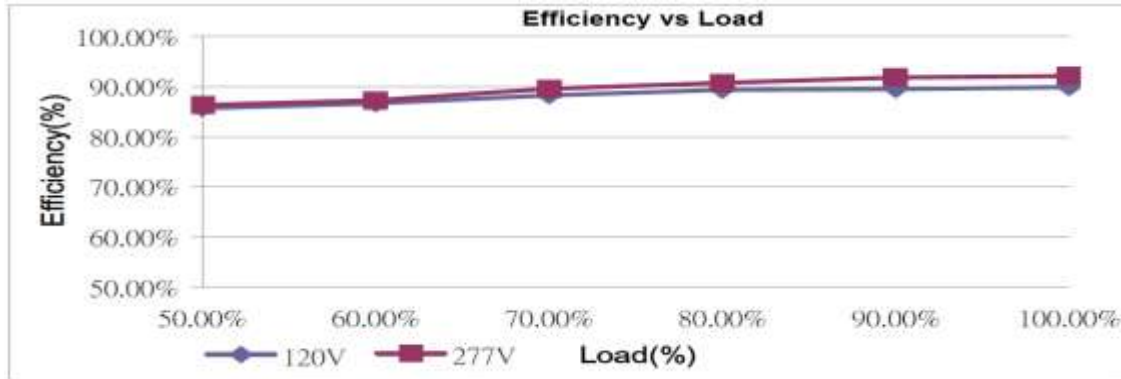
**WARNING:** Always Disconnect Power Before Handling. Case Should be Grounded. Install in Accordance with National and Local Electrical Codes

# LED DRIVER 200W 0-10V Dimming

Output Range 114V to 190V Constant Current **1050mA** Max **200W**  
Surge 6KV

NU1050C200WSD Series FS5

Page...2



# Sage

## Dimming & Non- Dimming

**IP67**

**347V LED Drivers**

### **Fixed Current**

Sage offers 347V Dimmable & Non-Dimmable fixed Current LED Drivers and continuously design to specification a wide variety of Custom drivers with multiple output values. These drivers provide flexibility for the Fixture Manufacturers to offer wide range of luminaires including Outdoor fixtures.

It is also easy to combine into common dimming systems accessible in commercial applications.

Output Current: from 350mA to 4200mA



# 347V LED DRIVER 100W 0-10V Dimming

Output Range 172V to 286V Constant Current **350mA** Max **100W**  
**IP67**

347V input Electronic Constant Current LED Driver 0-10V Dimming. Output Range of 172V to 286V for Single Output circuit 100W maximum

## Technical Specification:

Class 1 UL, CUL Recognized, ROHS Compliant  
 EMI FCC Part 15, Class A

Rating: **IP67**

Output Open/Short Protection

Min. Starting Temp: - 40° C

Max. Case Temp: 90° C

Typical Efficiency: 90%

Input Voltage range: **± 10%**

Output Load range **± 5%**

Input Frequency: **50/60HZ**

THD: **< 10%**

Power Factor Min: **0.9**

Remote Wiring Distance Full Load: **18AWG -18 ft**

Surge Protection: **3 KV**

**Case Size: Series FS8**

Due to continuing efforts to offer improved products all specifications are subject to change without prior notice

INPUT VOLTAGE	INPUT CURRENT	INPUT WATTS	OUTPUT POWER WATTS MAX	OUTPUT VOLTAGE	OUTPUT CURRENT AMPS	MODEL
<b>347</b>	0.64A	110	100	172 to 286V	0.35A	<b>NC350C100WSD-IP67</b>

### LIMITED WARRANTY

5 YEAR at maximum case temperature 75 deg C. 3 YEAR at maximum case temperature 90 deg C. Manufacturer warrants to the purchaser: Product will be free from defects in material or workmanship from the date of manufacture conditioned upon proper storage, installation, use, and maintenance and conformance with any recommendations of Manufacturer

### Lead Length

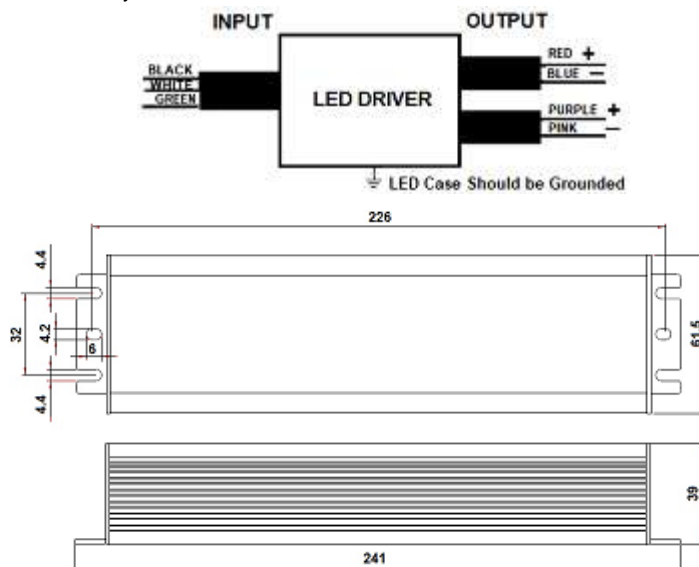
Colour	inc	cm
Black	6	15.2
White	6	15.2
Blue	6	15.2
Red	6	15.2
Pink	7.1	18
Purple	7.1	18

### 0-10V Dimmer Compatibility Chart

LUTRON	LEVITON
NFTV	DS710-10Z
DVTV-WH	

### Case Size Series FS8

L	W	H	ML
241	61.5	39	226mm
9.5	2.42	1.54	8.9inch



**WARNING:** Always Disconnect Power Before Handling. Case Should be Grounded. Install in Accordance with National and Local Electrical Codes

# 347V LED DRIVER 42W 0-10V Dimming

Output Range 35V to 60V Constant Current **700mA** Max **42W**  
**IP67**

347V input Electronic Constant Current LED Driver 0-10V Dimming. Output Range of 35V to 60V for Single circuit 42W maximum

## Technical Specification:

Class 2 UL, CUL Recognized, ROHS Compliant  
 EMI FCC Part 15, Class A  
 Rating: **IP67**  
 Output Open/Short Protection  
 Min. Starting Temp: - 40° C  
 Max. Case Temp: 90° C  
 Typical Efficiency: 87%

Input Voltage range: **± 10%**  
 Output Load range **± 5%**  
 Input Frequency: **50/60HZ**  
 THD: **< 10%**  
 Power Factor Min: **0.9**  
 Remote Wiring Distance Full Load: **18AWG -18 ft**  
 Surge Protection: **3 KV**

**Case Size: Series FS8**

Due to continuing efforts to offer improved products all specifications are subject to change without prior notice

INPUT VOLTAGE	INPUT CURRENT	INPUT WATTS	OUTPUT POWER WATTS MAX	OUTPUT VOLTAGE	OUTPUT CURRENT AMPS	MODEL
<b>347</b>	0.32A	49	42	35 to 60V	0.7A	<b>NC700C42WSD-IP67</b>

### LIMITED WARRANTY

5 YEAR at maximum case temperature 75 deg C. 3 YEAR at maximum case temperature 90 deg C. Manufacturer warrants to the purchaser: Product will be free from defects in material or workmanship from the date of manufacture conditioned upon proper storage, installation, use, and maintenance and conformance with any recommendations of Manufacturer

### Lead Length

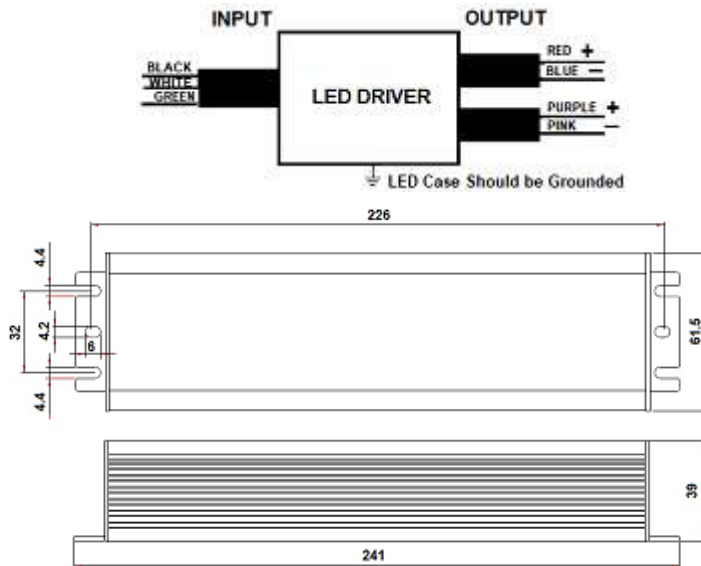
Colour	inc	cm
Black	6	15.2
White	6	15.2
Blue	6	15.2
Red	6	15.2
Pink	7.1	18
Purple	7.1	18

### 0-10V Dimmer Compatibility Chart

LUTRON	LEVITON
NFTV	DS710-10Z
DVTV-WH	

### Case Size Series FS8

L	W	H	ML
241	61.5	39	226mm
9.5	2.42	1.54	8.9inch



**WARNING:** Always Disconnect Power Before Handling. Case Should be Grounded. Install in Accordance with National and Local Electrical Codes



# 347V LED DRIVER 57W 0-10V Dimming

Output Range 34V to 57V Constant Current **1000mA** Max **57W**  
**IP67**

347V input Electronic Constant Current LED Driver 0-10V Dimming. Output Range of 34V to 57V for Single circuit 57W maximum.

## Technical Specification:

UL, CUL Recognized, ROHS Compliant

EMI FCC Part 15, Class A

Rating: **IP67**

Output Open/Short Protection

Min. Starting Temp: - 40° C

Max. Case Temp: 90° C

Typical Efficiency: 87%

Input Voltage range: **± 10%**

Output Load range **± 5%**

Input Frequency: **50/60HZ**

THD: **< 10%**

Power Factor Min: **0.9**

Remote Wiring Distance Full Load: **18AWG -18 ft**

Surge Protection: **3 KV**

**Case Size: Series FS8**

Due to continuing efforts to offer improved products all specifications are subject to change without prior notice

INPUT VOLTAGE	INPUT CURRENT	INPUT WATTS	OUTPUT POWER WATTS MAX	OUTPUT VOLTAGE	OUTPUT CURRENT AMPS	MODEL
<b>347</b>	0.5A	66	57	34 to 57V	1.0A	<b>NC1000C57WSD-IP67</b>

### LIMITED WARRANTY

5 YEAR at maximum case temperature 75 deg C. 3 YEAR at maximum case temperature 90 deg C. Manufacturer warrants to the purchaser: Product will be free from defects in material or workmanship from the date of manufacture conditioned upon proper storage, installation, use, and maintenance and conformance with any recommendations of Manufacturer

### Lead Length

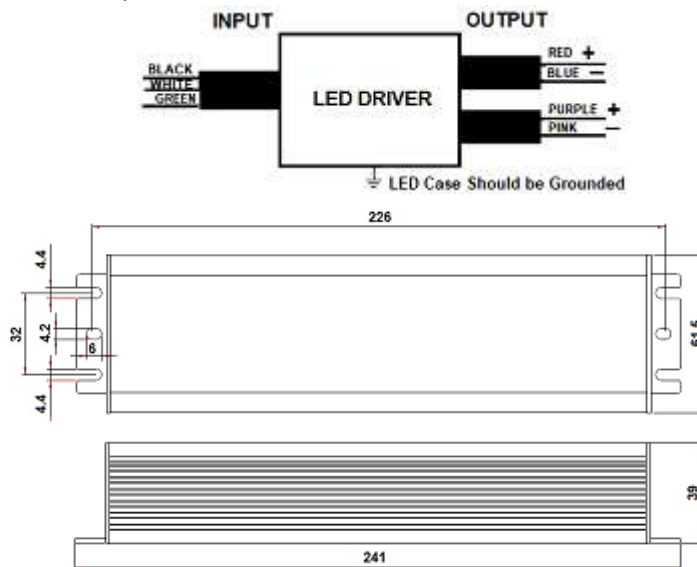
Colour	inc	cm
Black	6	15.2
White	6	15.2
Blue	6	15.2
Red	6	15.2
Pink	7.1	18
Purple	7.1	18

### 0-10V Dimmer Compatibility Chart

LUTRON	LEVITON
NFTV	DS710-10Z
DVTV-WH	

### Case Size Series FS8

L	W	H	ML
241	61.5	39	226mm
9.5	2.42	1.54	8.9inch



**WARNING:** Always Disconnect Power Before Handling. Case Should be Grounded. Install in Accordance with National and Local Electrical Codes

901 - 3rd Street West, North Vancouver, BC V7P 3P9 Canada

TEL: 604-904-9533

www.sagedrivers.com www.sagelighting.com

*Sage  
Lighting Ltd.*

# 347V LED DRIVER 40W 0-10V Dimming

Output Range 28V to 36V Constant Current **1100mA** Max **40W**  
**IP67**

347V input Electronic Constant Current LED Driver 0-10V Dimming. Output Range of 28V to 36V for Single circuit 40W maximum.

## Technical Specification:

Class 2 UL, CUL Recognized, ROHS Compliant

EMI FCC Part 15, Class A

Rating: **IP67**

Output Open/Short Protection

Min. Starting Temp: - 40° C

Max. Case Temp: 90° C

Typical Efficiency: 88%

Input Voltage range:  $\pm 10\%$

Output Load range  $\pm 5\%$

Input Frequency: 50/60HZ

THD: < 10%

Power Factor Min: 0.95

Remote Wiring Distance Full Load: 18AWG -18 ft

Surge Protection: 3 KV

Case Size: Series FS8

Due to continuing efforts to offer improved products all specifications are subject to change without prior notice

INPUT VOLTAGE	INPUT CURRENT	INPUT WATTS	OUTPUT POWER WATTS MAX	OUTPUT VOLTAGE	OUTPUT CURRENT AMPS	MODEL
347	0.14A	46	40	28 to 36V	1.1A	NC1100C40WSD-IP67

### LIMITED WARRANTY

5 YEAR at maximum case temperature 75 deg C. 3 YEAR at maximum case temperature 90 deg C. Manufacturer warrants to the purchaser: Product will be free from defects in material or workmanship from the date of manufacture conditioned upon proper storage, installation, use, and maintenance and conformance with any recommendations of Manufacturer

### Lead Length

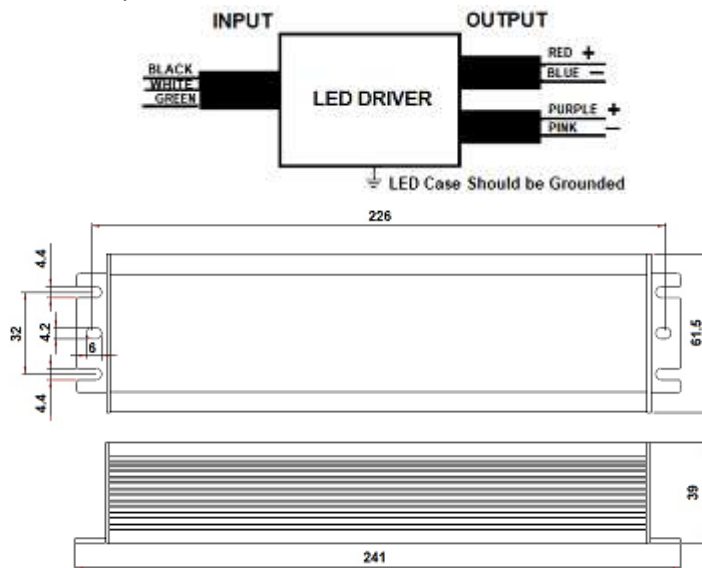
Colour	inc	cm
Black	6	15.2
White	6	15.2
Blue	6	15.2
Red	6	15.2
Pink	7.1	18
Purple	7.1	18

### 0-10V Dimmer Compatibility Chart

LUTRON	LEVITON
NFTV	DS710-10Z
DVTV-WH	

### Case Size Series FS8

L	W	H	ML
241	61.5	39	226mm
9.5	2.42	1.54	8.9inch



**WARNING:** Always Disconnect Power Before Handling. Case Should be Grounded. Install in Accordance with National and Local Electrical Codes

# 347V LED DRIVER 52W 0-10V Dimming

Output Range 25V to 42V Constant Current **1240mA** Max **52W**  
**IP67**

347V input Electronic Constant Current LED Driver 0-10V Dimming. Output Range of 25V to 42V for Single circuit 52W maximum.

## Technical Specification:

Class 2 UL, CUL Recognized, ROHS Compliant

EMI FCC Part 15, Class A

Rating: **IP67**

Output Open/Short Protection

Min. Starting Temp: - 40° C

Max. Case Temp: 90° C

Typical Efficiency: 87%

Input Voltage range: **± 10%**

Output Load range **± 5%**

Input Frequency: **50/60HZ**

THD: **< 10%**

Power Factor Min: **0.9**

Remote Wiring Distance Full Load: **18AWG -18 ft**

Surge Protection: **3 KV**

**Case Size: Series FS8**

Due to continuing efforts to offer improved products all specifications are subject to change without prior notice

INPUT VOLTAGE	INPUT CURRENT	INPUT WATTS	OUTPUT POWER WATTS MAX	OUTPUT VOLTAGE DC	OUTPUT CURRENT DC AMPS	MODEL
<b>347</b>	0.5A	60	52	25 to 42V	1.24A	<b>NC1240C52WSD-IP67</b>

### LIMITED WARRANTY

5 YEAR at maximum case temperature 75 deg C. 3 YEAR at maximum case temperature 90 deg C. Manufacturer warrants to the purchaser: Product will be free from defects in material or workmanship from the date of manufacture conditioned upon proper storage, installation, use, and maintenance and conformance with any recommendations of Manufacturer

### Lead Length

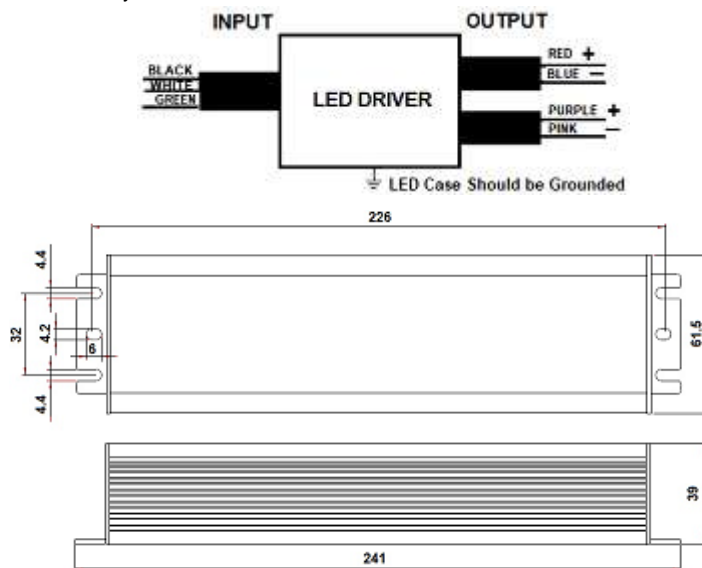
Colour	inc	cm
Black	6	15.2
White	6	15.2
Blue	6	15.2
Red	6	15.2
Pink	7.1	18
Purple	7.1	18

### 0-10V Dimmer Compatibility Chart

LUTRON	LEVITON
NFTV	DS710-10Z
DVTV-WH	

### Case Size Series FS8

L	W	H	ML
241	61.5	39	226mm
9.5	2.42	1.54	8.9inch



**WARNING:** Always Disconnect Power Before Handling. Case Should be Grounded. Install in Accordance with National and Local Electrical Codes

# 347V LED DRIVER 84W 0-10V Dimming

Output Range 24V to 40V Constant Current **2100mA** Max **84W**  
**IP67**

347V input Electronic Constant Current LED Driver 0-10V Dimming. Output Range of 24V to 40V for Single circuit 84W maximum

## Technical Specification:

Class 2 UL, CUL Recognized, ROHS Compliant

EMI FCC Part 15, Class A

Rating: **IP67**

Output Open/Short Protection

Min. Starting Temp: - 40° C

Max. Case Temp: 90° C

Typical Efficiency: 89%

Input Voltage range:  $\pm 10\%$

Output Load range  $\pm 5\%$

Input Frequency: 50/60HZ

THD: < 10%

Power Factor Min: 0.9

Remote Wiring Distance Full Load: 18AWG -18 ft

Surge Protection: 2 KV

**Case Size: Series FS8**

Due to continuing efforts to offer improved products all specifications are subject to change without prior notice

INPUT VOLTAGE	INPUT CURRENT	INPUT WATTS	OUTPUT POWER WATTS MAX	OUTPUT VOLTAGE	OUTPUT CURRENT AMPS	MODEL
<b>347</b>	0.28A	94	84	24 to 40V	2.1A	<b>NC2100C84WSD-IP67</b>

### LIMITED WARRANTY

5 YEAR at maximum case temperature 75 deg C. 3 YEAR at maximum case temperature 90 deg C. Manufacturer warrants to the purchaser: Product will be free from defects in material or workmanship from the date of manufacture conditioned upon proper storage, installation, use, and maintenance and conformance with any recommendations of Manufacturer

### Lead Length

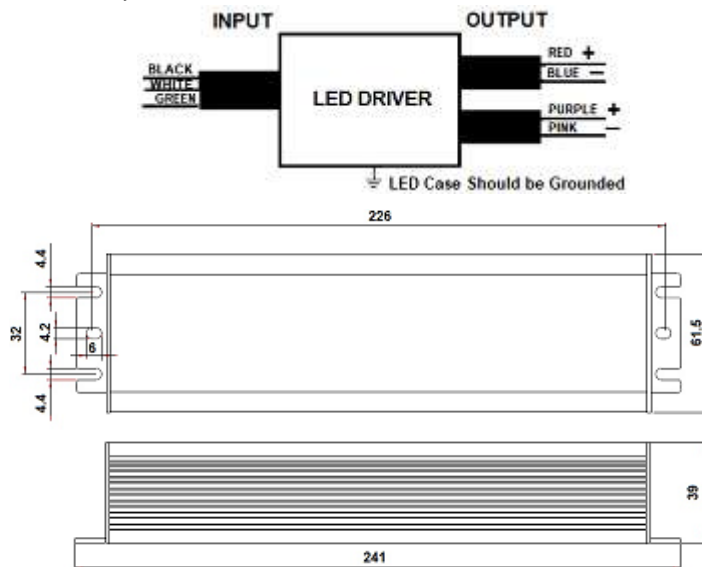
Colour	inc	cm
Black	6	15.2
White	6	15.2
Blue	6	15.2
Red	6	15.2
Pink	7.1	18
Purple	7.1	18

### 0-10V Dimmer Compatibility Chart

LUTRON	LEVITON
NFTV	DS710-10Z
DVTV-WH	

### Case Size Series FS8

L	W	H	ML
241	61.5	39	226mm
9.5	2.42	1.54	8.9inch



**WARNING:** Always Disconnect Power Before Handling. Case Should be Grounded. Install in Accordance with National and Local Electrical Codes

901 - 3rd Street West, North Vancouver, BC V7P 3P9 Canada

TEL: 604-904-9533

www.sagedrivers.com www.sagelighting.com

*Sage  
Lighting Ltd.*

# 347V LED DRIVER 150W 0-10V Dimming

Output Range 32V to 54V Constant Current **2800mA** Max **150W**  
**IP67**

347V input Electronic Constant Current LED Driver 0-10V Dimming. Output Range of 32V to 54V for Single Output circuit 150W maximum

## Technical Specification:

UL, CUL Recognized, ROHS Compliant

EMI FCC Part 15, Class A

Rating: **IP67**

Output Open/Short Protection

Min. Starting Temp: - 40° C

Max. Case Temp: 90° C

Typical Efficiency: 89%

Input Voltage range:  $\pm 10\%$

Output Load range:  $\pm 5\%$

Input Frequency: 50/60HZ

THD: < 10%

Power Factor Min: 0.90

Remote Wiring Distance Full Load: 18AWG -18 ft

Surge Protection: 2 KV

Case Size: Series FS9

Due to continuing efforts to offer improved products all specifications are subject to change without prior notice

INPUT VOLTAGE	INPUT CURRENT	INPUT WATTS	OUTPUT POWER WATTS MAX	OUTPUT VOLTAGE DC	OUTPUT CURRENT DC AMPS	MODEL
347	0.28A	170	150	32 to 54V	2.8A	NC2800C150WSD-IP67

### LIMITED WARRANTY

5 YEAR at maximum case temperature 75 deg C. 3 YEAR at maximum case temperature 90 deg C. Manufacturer warrants to the purchaser: Product will be free from defects in material or workmanship from the date of manufacture conditioned upon proper storage, installation, use, and maintenance and conformance with any recommendations of Manufacturer

### Lead Length

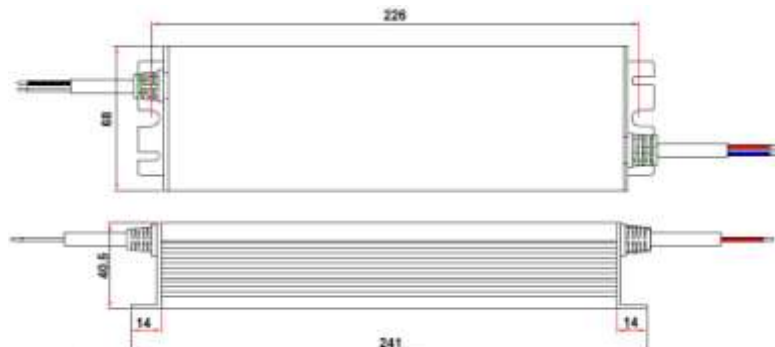
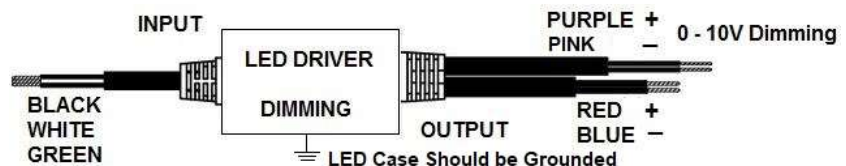
Colour	inc	cm
Black	6	15.2
White	6	15.2
Blue	6	15.2
Red	6	15.2
Pink	7.1	18
Purple	7.1	18

### 0-10V Dimmer Compatibility Chart

LUTRON	LEVITON
NFTV	DS710-10Z
DVTV-WH	

### Case Size Series FS9

L	W	H	ML
241	68	40.5	226mm
9.5	2.68	1.6	8.9inch



**WARNING:** Always Disconnect Power Before Handling. Case Should be Grounded. Install in Accordance with National and Local Electrical Codes

# 347V LED DRIVER 150W 0-10V Dimming

Output Range 22V to 36V Constant Current **4200mA** Max **150W**  
**IP67**

347V input Electronic Constant Current LED Driver 0-10V Dimming. Output Range of 22V to 36V for Single circuit 150W maximum

## Technical Specification:

UL, CUL Recognized, ROHS Compliant

EMI FCC Part 15, Class A

Rating: **IP67**

Output Open/Short Protection

Min. Starting Temp: -40° C

Max. Case Temp: 90° C

Typical Efficiency: 89%

Input Voltage range:  $\pm 10\%$

Output Load range:  $\pm 5\%$

Input Frequency: 50/60HZ

THD: < 10%

Power Factor Min: 0.90

Remote Wiring Distance Full Load: 18AWG -18 ft

Surge Protection: 2 KV

Case Size: Series FS9

Due to continuing efforts to offer improved products all specifications are subject to change without prior notice

INPUT VOLTAGE	INPUT CURRENT	INPUT WATTS	OUTPUT POWER WATTS MAX	OUTPUT VOLTAGE	OUTPUT CURRENT AMPS	MODEL
347	0.5A	170	150	22 to 36V	4.2A	NC4200C150WSD-IP67

### LIMITED WARRANTY

5 YEAR at maximum case temperature 75 deg C. 3 YEAR at maximum case temperature 90 deg C. Manufacturer warrants to the purchaser: Product will be free from defects in material or workmanship from the date of manufacture conditioned upon proper storage, installation, use, and maintenance and conformance with any recommendations of Manufacturer

### Lead Length

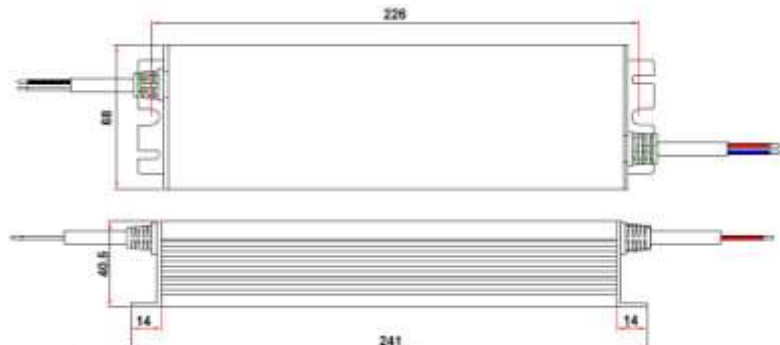
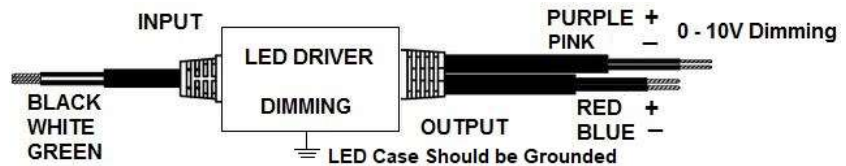
Colour	inc	cm
Black	6	15.2
White	6	15.2
Blue	6	15.2
Red	6	15.2
Pink	7.1	18
Purple	7.1	18

### 0-10V Dimmer Compatibility Chart

LUTRON	LEVITON
NFTV	DS710-10Z
DVTV-WH	

### Case Size Series FS9

L	W	H	ML
241	68	40.5	226mm
9.5	2.68	1.6	8.9inch



**WARNING:** Always Disconnect Power Before Handling. Case Should be Grounded. Install in Accordance with National and Local Electrical Codes

901 - 3rd Street West, North Vancouver, BC V7P 3P9 Canada

TEL: 604-904-9533

www.sagedrivers.com www.sagelighting.com

*Sage  
Lighting Ltd.*

# **Sage**

## **Dimming & Non- Dimming**

### **IP67**

### **120-277V LED Drivers**

### **Fixed Current**

Sage offers 120 to 277V Dimmable & Non-Dimmable fixed Current LED Drivers and continuously design to specification a wide variety of Custom drivers with multiple output values. These drivers provide flexibility for the Fixture Manufacturers to offer wide range of luminaires including Outdoor fixtures.

It is also easy to combine into common dimming systems accessible in commercial applications.

Output Current: from 310mA to 5000mA





# LED DRIVER 13W 0-10V Dimming

Output Range 25V to 42V Constant Current **310mA** Max **13W**

Universal Voltage 120-277V 310mA Electronic Constant Current LED Driver 0-10V Dimming. Output Range between 25V to 42V for Single Output circuit 13W maximum.

## Technical Specification:

Class 2 UL, CUL Recognized, ROHS Compliant

EMI FCC Part 15, Class A

Rating: **IP67**

Output Open/Short Protection

Min. Starting Temp: - 40° C

Max. Case Temp: 90° C

Typical Efficiency: 85%

Input Voltage range:  $\pm 10\%$

Output Load range  $\pm 5\%$

Input Frequency: 50/60HZ

THD: < 20%

Power Factor Min: 0.90

Remote Wiring Distance Full Load: 18AWG -18 ft

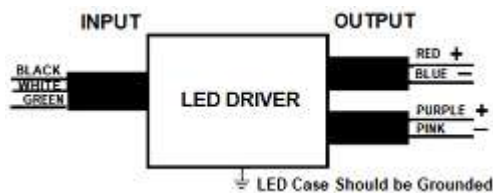
Case Size: Series C10

Due to continuing efforts to offer improved products all specifications are subject to change without prior notice

INPUT VOLTAGE	INPUT CURRENT	INPUT WATTS	OUTPUT POWER WATTS MAX	OUTPUT VOLTAGE	OUTPUT CURRENT AMPS	MODEL
120	0.27	15	13	25 to 42V	0.31A	NU310C13WSD-IP67
277	0.11A					

### LIMITED WARRANTY

5 YEAR at maximum case temperature 75 deg C. 3 YEAR at maximum case temperature 90 deg C. Manufacturer warrants to the purchaser: Product will be free from defects in material or workmanship from the date of manufacture conditioned upon proper storage, installation, use, and maintenance and conformance with any recommendations of Manufacturer



### 0-10V Dimmer Compatibility Chart

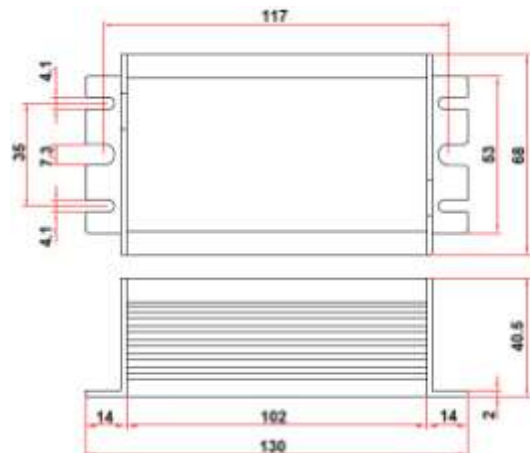
LUTRON	LEVITON
NFTV	DS710-10Z
DVTV-WH	

### Case Size Series C10

L	W	H	ML
130	68	40.5	117mm
5.12	2.68	1.6	4.6inch

### Lead Length

Colour	inc	cm
Black	6	15.2
White	6	15.2
Blue	6	15.2
Red	6	15.2
Pink	7.1	18
Purple	7.1	18



**WARNING:** Always Disconnect Power Before Handling. Case Should be Grounded. Install in Accordance with National and Local Electrical Codes

# LED DRIVER 8W 0-10V Dimming

Output Range 14V to 24V Constant Current **350mA** Max **8W**  
**IP67**

Universal Voltage 120-277V Electronic Constant Current LED Driver 0-10V Dimming. Output Range of 14V to 24V for Single circuit 8W maximum.

## Technical Specification:

Class 2 UL, CUL Recognized, ROHS Compliant  
 EMI FCC Part 15, Class A

Rating: **IP67**

Output Open/Short Protection

Min. Starting Temp: -40° C

Max. Case Temp: 90° C

Typical Efficiency: 80%

Input Voltage range:  $\pm 10\%$   
 Output Load range:  $\pm 5\%$   
 Input Frequency: 50/60HZ  
 THD: < 20%  
 Power Factor Min: 0.90  
 Remote Wiring Distance Full Load: 18AWG -18 ft

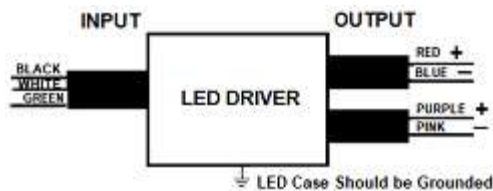
Case Size: Series C10

Due to continuing efforts to offer improved products all specifications are subject to change without prior notice

INPUT VOLTAGE	INPUT CURRENT	INPUT WATTS	OUTPUT POWER WATTS MAX	OUTPUT VOLTAGE	OUTPUT CURRENT AMPS	MODEL
120	0.16A	10	8	14 to 24V	0.35A	<b>NU350C8WSD-IP67</b>
277	0.07A					

### LIMITED WARRANTY

5 YEAR at maximum case temperature 75 deg C. 3 YEAR at maximum case temperature 90 deg C. Manufacturer warrants to the purchaser: Product will be free from defects in material or workmanship from the date of manufacture conditioned upon proper storage, installation, use, and maintenance and conformance with any recommendations of Manufacturer



### 0-10V Dimmer Compatibility Chart

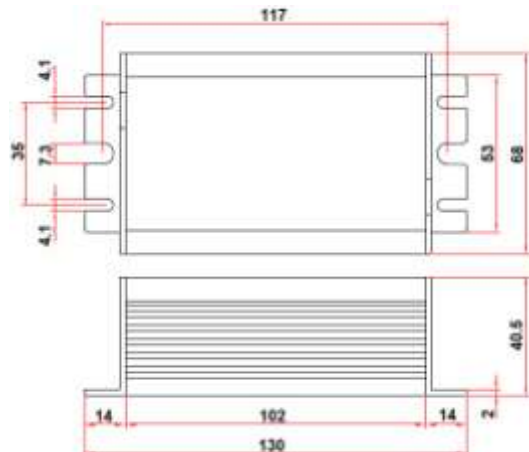
LUTRON	LEVITON
NFTV	DS710-10Z
DVTV-WH	

### Case Size Series C10

L	W	H	ML
130	68	40.5	117mm
5.12	2.68	1.6	4.6inch

### Lead Length

Colour	inc	cm
Black	6	15.2
White	6	15.2
Blue	6	15.2
Red	6	15.2
Pink	7.1	18
Purple	7.1	18



**WARNING:** Always Disconnect Power Before Handling. Case Should be Grounded. Install in Accordance with National and Local Electrical Codes

# LED DRIVER 100W 0-10V Dimming

Output 170V to 285V Constant Current **350mA** Max **100W**  
**IP67**

Universal Voltage 120-277V Electronic Constant Current LED Driver 0-10V Dimming. Output Range of 170V to 285V for Single Output circuit 100W maximum.

## Technical Specification:

UL, CUL Recognized, ROHS Compliant

EMI FCC Part 15, Class A

Rating: **IP67**

Output Open/Short Protection

Min. Starting Temp: - 40° C

Max. Case Temp: 90° C

Typical Efficiency: 90%

Input Voltage range:  $\pm 10\%$

Output Load range  $\pm 5\%$

Input Frequency: 50/60HZ

THD: < 20%

Power Factor Min: 0.90

Remote Wiring Distance Full Load: 18AWG -18 ft

**Case Size: Series FS8**

Due to continuing efforts to offer improved products all specifications are subject to change without prior notice

INPUT VOLTAGE	INPUT WATTS	INPUT CURRENT	OUTPUT POWER WATTS MAX	OUTPUT VOLTAGE	OUTPUT CURRENT AMPS	MODEL
120	111	1.78	100	170 to 285V	0.35A	<b>NU350C100WSD-IP67</b>
277		0.78				

### LIMITED WARRANTY

5 YEAR at maximum case temperature 75 deg C. 3 YEAR at maximum case temperature 90 deg C. Manufacturer warrants to the purchaser: Product will be free from defects in material or workmanship from the date of manufacture conditioned upon proper storage, installation, use, and maintenance and conformance with any recommendations of Manufacturer

### Lead Length

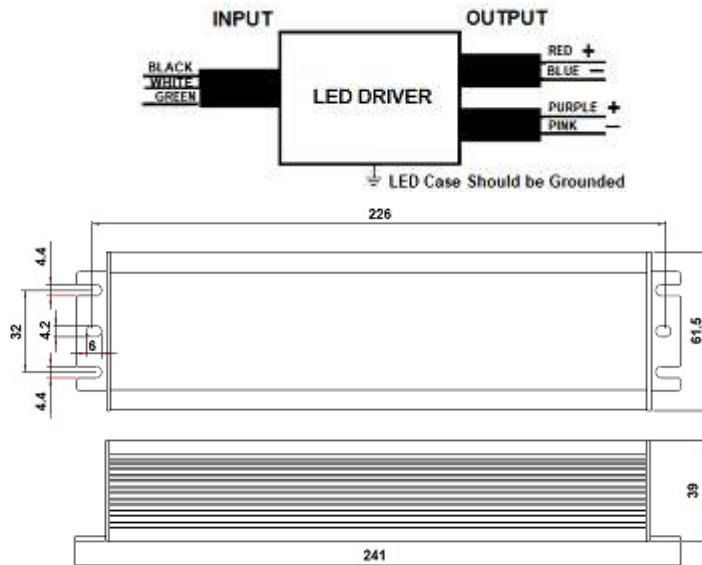
Colour	inc	cm
Black	6	15.2
White	6	15.2
Blue	6	15.2
Red	6	15.2
Pink	7.1	18
Purple	7.1	18

### 0-10V Dimmer Compatibility Chart

LUTRON	LEVITON
NFTV	DS710-10Z
DVTV-WH	

### Case Size Series FS8

L	W	H	ML
241	61.5	39	226mm
9.5	2.42	1.54	8.9inch



**WARNING:** Always Disconnect Power Before Handling. Case Should be Grounded. Install in Accordance with National and Local Electrical Codes

901 - 3rd Street West, North Vancouver, BC V7P 3P9 Canada

TEL: 604-904-9533

www.sagedrivers.com www.sagelighting.com

*Sage  
Lighting Ltd.*

# LED DRIVER 48W 0-10V Dimming

Output Range 54V to 90V Constant Current **530mA** Max **48W**  
**IP67**

Universal Voltage 120-277V Electronic Constant Current LED Driver 0-10V Dimming. Output Range of 54V to 90V for Single circuit 48W maximum.

## Technical Specification:

UL, CUL Recognized, ROHS Compliant  
 EMI FCC Part 15, Class A  
 Rating: **IP67**  
 Output Open/Short Protection  
 Min. Starting Temp: - 40° C  
 Max. Case Temp: 90° C  
 Typical Efficiency: 87%

Input Voltage range:  $\pm 10\%$   
 Output Load range  $\pm 5\%$   
 Input Frequency: 50/60HZ  
 THD: < 20%  
 Power Factor Min: 0.90  
 Remote Wiring Distance Full Load: 18AWG -18 ft

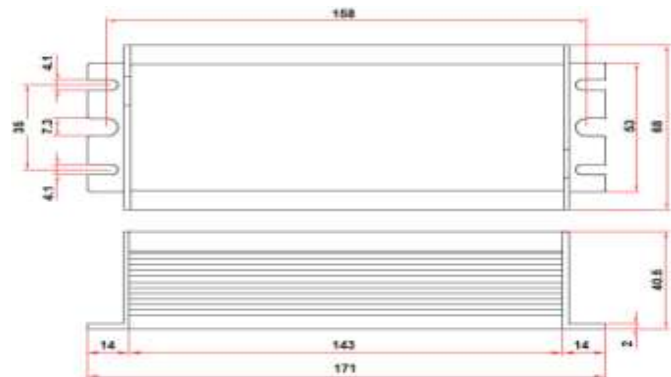
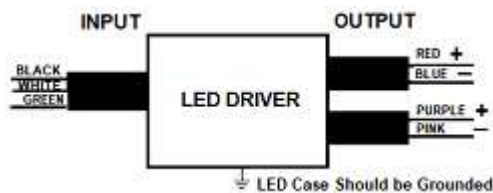
Case Size: Series C9U

Due to continuing efforts to offer improved products all specifications are subject to change without prior notice

INPUT VOLTAGE	INPUT CURRENT	INPUT WATTS	OUTPUT POWER WATTS MAX	OUTPUT VOLTAGE	OUTPUT CURRENT AMPS	MODEL
120	0.68A	55	48	54 to 90V	0.53A	<b>NU530C48WSD-IP67</b>
277	0.3A					

### LIMITED WARRANTY

5 YEAR at maximum case temperature 75 deg C. 3 YEAR at maximum case temperature 90 deg C. Manufacturer warrants to the purchaser: Product will be free from defects in material or workmanship from the date of manufacture conditioned upon proper storage, installation, use, and maintenance and conformance with any recommendations of Manufacturer



### Lead Length

Colour	inc	cm
Black	6	15.2
White	6	15.2
Blue	6	15.2
Red	6	15.2
Pink	7.1	18
Purple	7.1	18

### Case Size Series C9U

L	W	H	ML
171	68	40.5	158mm
6.73	2.68	1.6	6.22inch

### 0-10V Dimmer Compatibility Chart

LUTRON	LEVITON
NFTV	DS710-10Z
DVTV-WH	

**WARNING:** Always Disconnect Power Before Handling. Case Should be Grounded. Install in Accordance with National and Local Electrical Codes

# LED DRIVER 25W 0-10V Dimming

Output Range 26V to 42V Constant Current **600mA** Max **25W**  
**IP67**

Universal Voltage 120-277V Electronic Constant Current LED Driver 0-10V Dimming. Output Range of 26V to 42V for Single circuit 25W maximum.

## Technical Specification:

Class 2 UL, CUL Recognized, ROHS Compliant

EMI FCC Part 15, Class A

Rating: **IP67**

Output Open/Short Protection

Min. Starting Temp: - 40° C

Max. Case Temp: 90° C

Typical Efficiency: 88%

Input Voltage range:  $\pm 10\%$

Output Load range  $\pm 5\%$

Input Frequency: 50/60HZ

THD: < 20%

Power Factor Min: 0.90

Remote Wiring Distance Full Load: 18AWG -18 ft

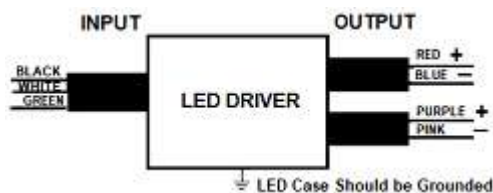
Case Size: Series C10

Due to continuing efforts to offer improved products all specifications are subject to change without prior notice

INPUT VOLTAGE	INPUT CURRENT	INPUT WATTS	OUTPUT POWER WATTS MAX	OUTPUT VOLTAGE	OUTPUT CURRENT AMPS	MODEL
120	0.44A	28	25	26 to 42V	0.6A	<b>NU600C25WSD-IP67</b>
277	0.19A					

### LIMITED WARRANTY

5 YEAR at maximum case temperature 75 deg C. 3 YEAR at maximum case temperature 90 deg C. Manufacturer warrants to the purchaser: Product will be free from defects in material or workmanship from the date of manufacture conditioned upon proper storage, installation, use, and maintenance and conformance with any recommendations of Manufacturer



### 0-10V Dimmer Compatibility Chart

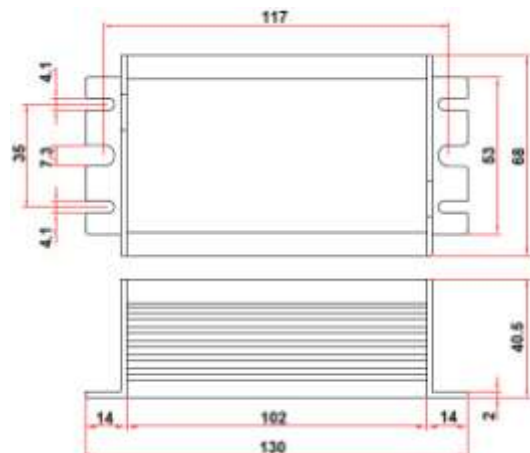
LUTRON	LEVITON
NFTV	DS710-10Z
DVTV-WH	

### Case Size Series C10

L	W	H	ML
130	68	40.5	117mm
5.12	2.68	1.6	4.6inch

### Lead Length

Colour	inc	cm
Black	6	15.2
White	6	15.2
Blue	6	15.2
Red	6	15.2
Pink	7.1	18
Purple	7.1	18



**WARNING:** Always Disconnect Power Before Handling. Case Should be Grounded. Install in Accordance with National and Local Electrical Codes

901 - 3rd Street West, North Vancouver, BC V7P 3P9 Canada

TEL: 604-904-9533

www.sagedrivers.com www.sagelighting.com

*Sage  
Lighting Ltd.*

# LED DRIVER 30W 0-10V Dimming

Output Range 27V to 45V Constant Current **650mA** Max **30W**  
**IP67**

Universal Voltage 120-277V Electronic Constant Current LED Driver 0-10V Dimming. Output Range of 27V to 45V for Single circuit 30W maximum.

## Technical Specification:

Class 2 UL, CUL Recognized, ROHS Compliant  
 EMI FCC Part 15, Class A  
 Rating: **IP67**  
 Output Open/Short Protection  
 Min. Starting Temp: - 40° C  
 Max. Case Temp: 90° C  
 Typical Efficiency: 86%

Input Voltage range:  $\pm 10\%$   
 Output Load range  $\pm 5\%$   
 Input Frequency: 50/60HZ  
 THD: < 20%  
 Power Factor Min: 0.90  
 Remote Wiring Distance Full Load: 18AWG -18 ft

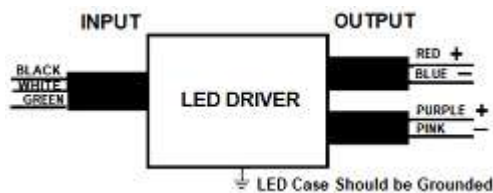
**Case Size: Series C10**

Due to continuing efforts to offer improved products all specifications are subject to change without prior notice

INPUT VOLTAGE	INPUT CURRENT	INPUT WATTS	OUTPUT POWER WATTS MAX	OUTPUT VOLTAGE	OUTPUT CURRENT AMPS	MODEL
120	0.4A	35	30	27 to 45V	0.65A	<b>NU650C30WSD-IP67</b>
277	0.17A					

### LIMITED WARRANTY

5 YEAR at maximum case temperature 75 deg C. 3 YEAR at maximum case temperature 90 deg C. Manufacturer warrants to the purchaser: Product will be free from defects in material or workmanship from the date of manufacture conditioned upon proper storage, installation, use, and maintenance and conformance with any recommendations of Manufacturer



### 0-10V Dimmer Compatibility Chart

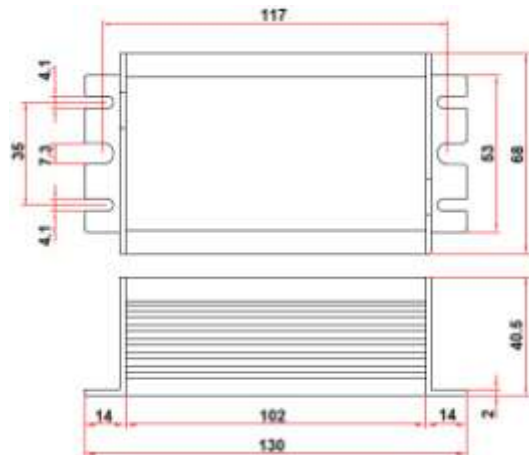
LUTRON	LEVITON
NFTV	DS710-10Z
DVTV-WH	

### Case Size Series C10

L	W	H	ML
130	68	40.5	117mm
5.12	2.68	1.6	4.6inch

### Lead Length

Colour	inc	cm
Black	6	15.2
White	6	15.2
Blue	6	15.2
Red	6	15.2
Pink	7.1	18
Purple	7.1	18



**WARNING:** Always Disconnect Power Before Handling. Case Should be Grounded. Install in Accordance with National and Local Electrical Codes

# LED DRIVER 25W 0-10V Dimming

Output Range 22V to 36V Constant Current **700mA** Max **25W**  
**IP67**

Universal Voltage 120-277V Electronic Constant Current LED Driver 0-10V Dimming. Output Range of 22V to 36V for Single circuit 25W maximum.

## Technical Specification:

Class 2 UL, CUL Recognized, ROHS Compliant

EMI FCC Part 15, Class A

Rating: **IP67**

Output Open/Short Protection

Min. Starting Temp: -40° C

Max. Case Temp: 90° C

Typical Efficiency: 85%

Input Voltage range:  $\pm 10\%$

Output Load range:  $\pm 5\%$

Input Frequency: 50/60HZ

THD: < 20%

Power Factor Min: 0.90

Remote Wiring Distance Full Load: 18AWG -18 ft

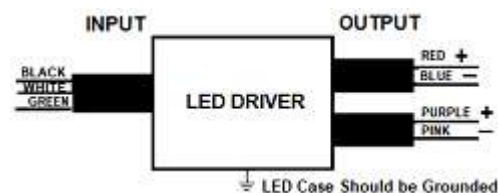
Case Size: Series C10

Due to continuing efforts to offer improved products all specifications are subject to change without prior notice

INPUT VOLTAGE	INPUT CURRENT	INPUT WATTS	OUTPUT POWER WATTS MAX	OUTPUT VOLTAGE	OUTPUT CURRENT AMPS	MODEL
120	0.4A	30	25	22 to 36V	0.7A	<b>NU700C25WSD-IP67</b>
277	0.17A					

### LIMITED WARRANTY

5 YEAR at maximum case temperature 75 deg C. 3 YEAR at maximum case temperature 90 deg C. Manufacturer warrants to the purchaser: Product will be free from defects in material or workmanship from the date of manufacture conditioned upon proper storage, installation, use, and maintenance and conformance with any recommendations of Manufacturer



### 0-10V Dimmer Compatibility Chart

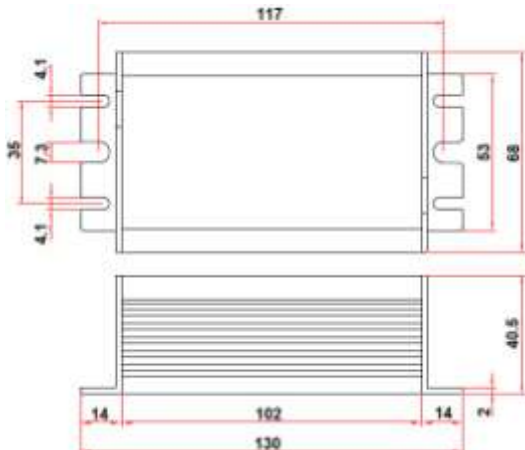
LUTRON	LEVITON
NFTV	DS710-10Z
DVTV-WH	

### Case Size Series C10

L	W	H	ML
130	68	40.5	117mm
5.12	2.68	1.6	4.6inch

### Lead Length

Colour	inc	cm
Black	6	15.2
White	6	15.2
Blue	6	15.2
Red	6	15.2
Pink	7.1	18
Purple	7.1	18



**WARNING:** Always Disconnect Power Before Handling. Case Should be Grounded. Install in Accordance with National and Local Electrical Codes

901 - 3rd Street West, North Vancouver, BC V7P 3P9 Canada

TEL: 604-904-9533

www.sagedrivers.com www.sagelighting.com

*Sage  
Lighting Ltd.*

# LED DRIVER 42W 0-10V Dimming

Output Range 36V to 60V Constant Current **700mA** Max **42W**  
**IP67**

Universal Voltage 120-277V Electronic Constant Current LED Driver 0-10V Dimming. Output Range of 36V to 60V for Single circuit 42W maximum.

## Technical Specification:

Class 2 UL, CUL Recognized, ROHS Compliant

EMI FCC Part 15, Class A

Rating: **IP67**

Output Open/Short Protection

Min. Starting Temp: - 40° C

Max. Case Temp: 90° C

Efficiency: 85%

Input Voltage range:  $\pm 10\%$

Output Load range  $\pm 5\%$

Input Frequency: 50/60HZ

THD: < 20%

Power Factor Min: 0.95

Remote Wiring Distance Full Load: 18AWG -18 ft Typical

**Case Size: Series FS8**

Due to continuing efforts to offer improved products all specifications are subject to change without prior notice

INPUT VOLTAGE	INPUT CURRENT	INPUT WATTS	OUTPUT POWER WATTS MAX	OUTPUT VOLTAGE	OUTPUT CURRENT AMPS	MODEL
120	0.44A	52	42	36 to 60V	0.7A	<b>NU700C42WSD-IP67</b>
277	0.19A					

### LIMITED WARRANTY

5 YEAR at maximum case temperature 75 deg C. 3 YEAR at maximum case temperature 90 deg C. Manufacturer warrants to the purchaser: Product will be free from defects in material or workmanship from the date of manufacture conditioned upon proper storage, installation, use, and maintenance and conformance with any recommendations of Manufacturer

### Lead Length

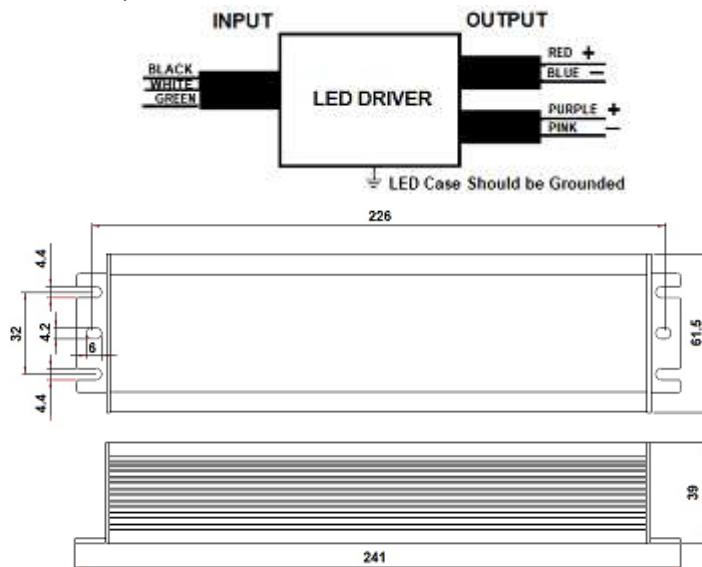
Colour	inc	cm
Black	6	15.2
White	6	15.2
Blue	6	15.2
Red	6	15.2
Pink	7.1	18
Purple	7.1	18

### 0-10V Dimmer Compatibility Chart

LUTRON	LEVITON
NFTV	DS710-10Z
DVTV-WH	

### Case Size Series FS8

L	W	H	ML
241	61.5	39	226mm
9.5	2.42	1.54	8.9inch



**WARNING:** Always Disconnect Power Before Handling. Case Should be Grounded. Install in Accordance with National and Local Electrical Codes

901 - 3rd Street West, North Vancouver, BC V7P 3P9 Canada

TEL: 604-904-9533

www.sagedrivers.com www.sagelighting.com

*Sage  
Lighting Ltd.*



# LED DRIVER 50W 0-10V Dimming

Output Range 43V to 71V Constant Current **700mA** Max **50W**  
**IP67**

Universal Voltage 120-277V Electronic Constant Current LED Driver 0-10V Dimming. Output Range of 43V to 71V for Single circuit 50W maximum.

## Technical Specification:

UL, CUL Recognized, ROHS Compliant

EMI FCC Part 15, Class A

Rating: **IP67**

Output Open/Short Protection

Min. Starting Temp: - 40° C

Max. Case Temp: 90° C

Efficiency: 85%

Input Voltage range: **± 10%**

Output Load range **± 5%**

Input Frequency: **50/60HZ**

THD: **< 20%**

Power Factor Min: **0.90**

Remote Wiring Distance Full Load: **18AWG -18 ft Typical**

**Case Size: Series FS8**

Due to continuing efforts to offer improved products all specifications are subject to change without prior notice

INPUT VOLTAGE	INPUT CURRENT	INPUT WATTS	OUTPUT POWER WATTS MAX	OUTPUT VOLTAGE	OUTPUT CURRENT AMPS	MODEL
120	0.50A	58	50	43 to 71V	0.7A	<b>NU700C50WSD-IP67</b>
277	0.22A					

### LIMITED WARRANTY

5 YEAR at maximum case temperature 75 deg C. 3 YEAR at maximum case temperature 90 deg C. Manufacturer warrants to the purchaser: Product will be free from defects in material or workmanship from the date of manufacture conditioned upon proper storage, installation, use, and maintenance and conformance with any recommendations of Manufacturer

### Lead Length

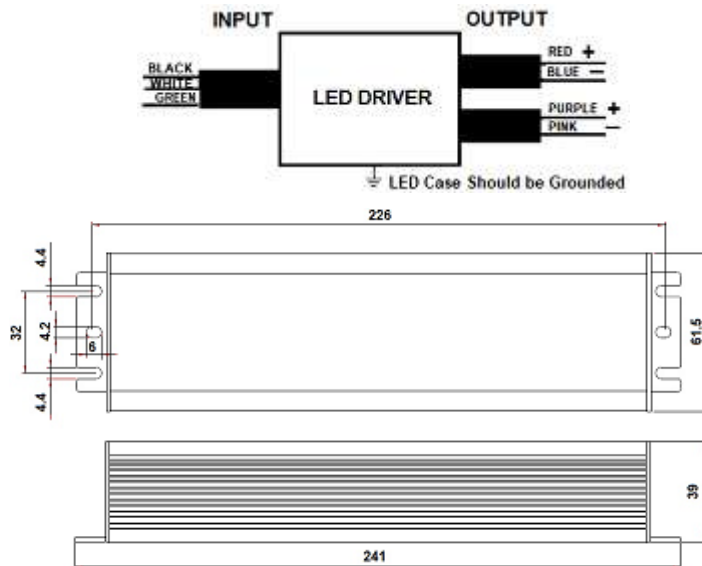
Colour	inc	cm
Black	6	15.2
White	6	15.2
Blue	6	15.2
Red	6	15.2
Pink	7.1	18
Purple	7.1	18

### 0-10V Dimmer Compatibility Chart

LUTRON	LEVITON
NFTV	DS710-10Z
DVTV-WH	

### Case Size Series FS8

L	W	H	ML
241	61.5	39	226mm
9.5	2.42	1.54	8.9inch



**WARNING:** Always Disconnect Power Before Handling. Case Should be Grounded. Install in Accordance with National and Local Electrical Codes

# LED DRIVER 100W 0-10V Dimming

Output 85V to 143V Constant Current **700mA** Max **100W**  
**IP67**

Universal Voltage 120-277V Electronic Constant Current LED Driver 0-10V Dimming. Output Range of 85V to 143V for Single Output circuit 100W maximum.

## Technical Specification:

UL, CUL Recognized, ROHS Compliant

EMI FCC Part 15, Class A

Rating: **IP67**

Output Open/Short Protection

Min. Starting Temp: - 40° C

Max. Case Temp: 90° C

Typical Efficiency: 90%

Input Voltage range:  $\pm 10\%$

Output Load range  $\pm 5\%$

Input Frequency: 50/60HZ

THD: < 20%

Power Factor Min: 0.90

Remote Wiring Distance Full Load: 18AWG -18 ft

**Case Size: Series FS8**

Due to continuing efforts to offer improved products all specifications are subject to change without prior notice

INPUT VOLTAGE	INPUT CURRENT	INPUT WATTS	OUTPUT POWER WATTS MAX	OUTPUT VOLTAGE	OUTPUT CURRENT AMPS	MODEL
120	1.0A	112	100	85 to 143V	0.7A	<b>NU700C100WSD-IP67</b>
277	0.42A					

### LIMITED WARRANTY

5 YEAR at maximum case temperature 75 deg C. 3 YEAR at maximum case temperature 90 deg C. Manufacturer warrants to the purchaser: Product will be free from defects in material or workmanship from the date of manufacture conditioned upon proper storage, installation, use, and maintenance and conformance with any recommendations of Manufacturer

### Lead Length

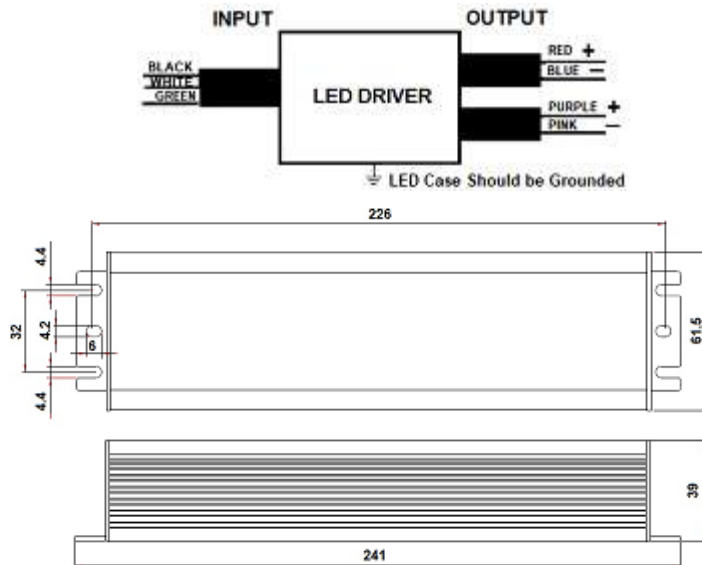
Colour	inc	cm
Black	6	15.2
White	6	15.2
Blue	6	15.2
Red	6	15.2
Pink	7.1	18
Purple	7.1	18

### 0-10V Dimmer Compatibility Chart

LUTRON	LEVITON
NFTV	DS710-10Z
DVTV-WH	

### Case Size Series FS8

L	W	H	ML
241	61.5	39	226mm
9.5	2.42	1.54	8.9inch



**WARNING:** Always Disconnect Power Before Handling. Case Should be Grounded. Install in Accordance with National and Local Electrical Codes

901 - 3rd Street West, North Vancouver, BC V7P 3P9 Canada

TEL: 604-904-9533

www.sagedrivers.com www.sagelighting.com

*Sage  
Lighting Ltd.*

# LED DRIVER 120W 0-10V Dimming

Output Range 103V to 171V Constant Current **700mA** Max **120W**  
**IP67**

Universal Voltage 120-277V Electronic Constant Current LED Driver 0-10V Dimming. Output Range of 103V to 171V for Single Output circuit 120W maximum.

## Technical Specification:

UL, CUL Recognized, ROHS Compliant

EMI FCC Part 15, Class A

Rating: **IP67**

Output Open/Short Protection

Min. Starting Temp: - 40° C

Max. Case Temp: 90° C

Efficiency: 88%

Input Voltage range:  $\pm 10\%$

Output Load range  $\pm 5\%$

Input Frequency: 50/60HZ

THD: < 20%

Power Factor Min: 0.90

Remote Wiring Distance Full Load: 18AWG -18 ft Typical

Case Size: Series FS9

Due to continuing efforts to offer improved products all specifications are subject to change without prior notice

INPUT VOLTAGE	INPUT CURRENT	INPUT WATTS	OUTPUT POWER WATTS MAX	OUTPUT VOLTAGE	OUTPUT CURRENT AMPS	MODEL
120	1.45A	137	120	103 to 171V	0.7A	<b>NU700C120WSD-IP67</b>
277	0.64A					

### LIMITED WARRANTY

5 YEAR at maximum case temperature 75 deg C. 3 YEAR at maximum case temperature 90 deg C. Manufacturer warrants to the purchaser: Product will be free from defects in material or workmanship from the date of manufacture conditioned upon proper storage, installation, use, and maintenance and conformance with any recommendations of Manufacturer

### Lead Length

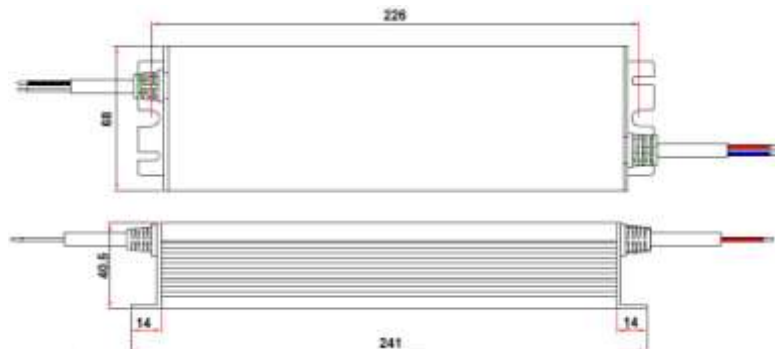
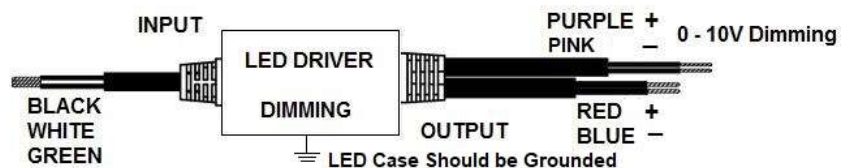
Colour	inc	cm
Black	6	15.2
White	6	15.2
Blue	6	15.2
Red	6	15.2
Pink	7.1	18
Purple	7.1	18

### 0-10V Dimmer Compatibility Chart

LUTRON	LEVITON
NFTV	DS710-10Z
DVTV-WH	

### Case Size Series FS9

L	W	H	ML
241	68	40.5	226mm
9.5	2.68	1.6	8.9inch



**WARNING:** Always Disconnect Power Before Handling. Case Should be Grounded. Install in Accordance with National and Local Electrical Codes

901 - 3rd Street West, North Vancouver, BC V7P 3P9 Canada

TEL: 604-904-9533

www.sagedrivers.com www.sagelighting.com

*Sage*  
Lighting Ltd.

# LED DRIVER 150W 0-10V Dimming

Output Range 128V to 214V Constant Current **700mA** Max **150W**  
**IP67**

Universal Voltage 120-277V Electronic Constant Current LED Driver 0-10V Dimming. Output Range of 128V to 214V for Single Output circuit 150W maximum.

## Technical Specification:

UL, CUL Recognized, ROHS Compliant

EMI FCC Part 15, Class A

Rating: **IP67**

Output Open/Short Protection

Min. Starting Temp: -40° C

Max. Case Temp: 90° C

Efficiency: 90%

Input Voltage range:  $\pm 10\%$

Output Load range:  $\pm 5\%$

Input Frequency: 50/60HZ

THD: < 20%

Power Factor Min: 0.90

Remote Wiring Distance Full Load: 18AWG -18 ft Typical

Case Size: Series FS9

Due to continuing efforts to offer improved products all specifications are subject to change without prior notice

INPUT VOLTAGE	INPUT CURRENT	INPUT WATTS	OUTPUT POWER WATTS MAX	OUTPUT VOLTAGE	OUTPUT CURRENT AMPS	MODEL
120	1.45A	166	150	128 to 214V	0.7A	<b>NU700C150WSD-IP67</b>
277	0.64A					

### LIMITED WARRANTY

5 YEAR at maximum case temperature 75 deg C. 3 YEAR at maximum case temperature 90 deg C. Manufacturer warrants to the purchaser: Product will be free from defects in material or workmanship from the date of manufacture conditioned upon proper storage, installation, use, and maintenance and conformance with any recommendations of Manufacturer

### Lead Length

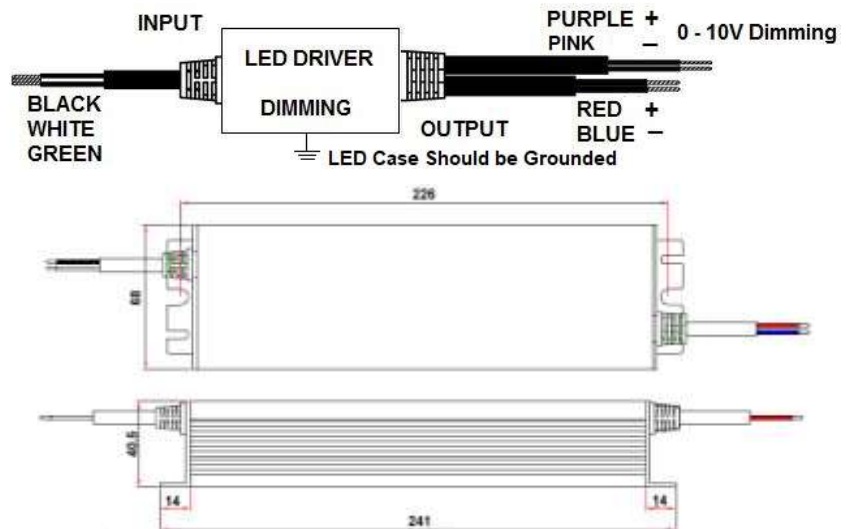
Colour	inc	cm
Black	6	15.2
White	6	15.2
Blue	6	15.2
Red	6	15.2
Pink	7.1	18
Purple	7.1	18

### 0-10V Dimmer Compatibility Chart

LUTRON	LEVITON
NFTV	DS710-10Z
DVTV-WH	

### Case Size Series FS9

L	W	H	ML
241	68	40.5	226mm
9.5	2.68	1.6	8.9inch



**WARNING:** Always Disconnect Power Before Handling. Case Should be Grounded. Install in Accordance with National and Local Electrical Codes

901 - 3rd Street West, North Vancouver, BC V7P 3P9 Canada

TEL: 604-904-9533

www.sagedrivers.com www.sagelighting.com

*Sage  
Lighting Ltd.*

# LED DRIVER 114W 0-10V Dimming

Output Range 72V to 120V Constant Current **1000mA** Max **114W**  
**IP67**

Universal Voltage 120-277V Electronic Constant Current LED Driver 0-10V Dimming. Output Range of 72V to 120V for Single circuit 114W maximum.

## Technical Specification:

UL, CUL Recognized, ROHS Compliant

EMI FCC Part 15, Class A

Rating: **IP67**

Output Open/Short Protection

Min. Starting Temp: - 40° C

Max. Case Temp: 90° C

Typical Efficiency: 85%

Input Voltage range:  $\pm 10\%$

Output Load range  $\pm 5\%$

Input Frequency: 50/60HZ

THD: < 10%

Power Factor Min: 0.90

Remote Wiring Distance Full Load: 18AWG -18 ft

Case Size: Series FS99

Due to continuing efforts to offer improved products all specifications are subject to change without prior notice

INPUT VOLTAGE	INPUT CURRENT	INPUT WATTS	OUTPUT POWER WATTS MAX	OUTPUT VOLTAGE	OUTPUT CURRENT AMPS	MODEL
120	1.45A	130	114	72 to 120V	0.95A	<b>NU950C114WSD-IP67</b>
277	0.64A					

### LIMITED WARRANTY

5 YEAR at maximum case temperature 75 deg C. 3 YEAR at maximum case temperature 90 deg C. Manufacturer warrants to the purchaser: Product will be free from defects in material or workmanship from the date of manufacture conditioned upon proper storage, installation, use, and maintenance and conformance with any recommendations of Manufacturer

### Lead Length

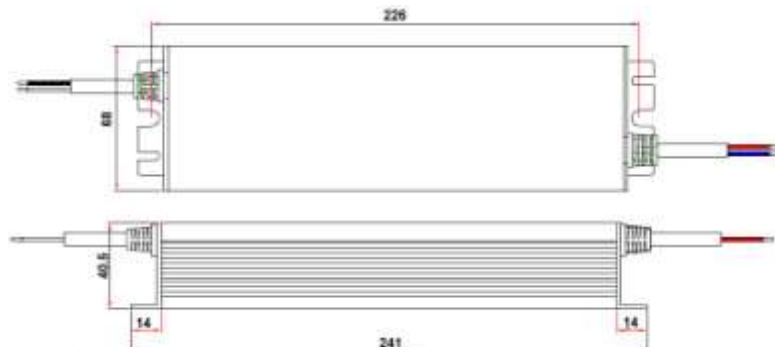
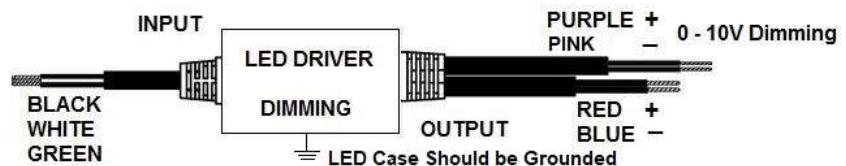
Colour	inc	cm
Black	6	15.2
White	6	15.2
Blue	6	15.2
Red	6	15.2
Pink	7.1	18
Purple	7.1	18

### 0-10V Dimmer Compatibility Chart

LUTRON	LEVITON
NFTV	DS710-10Z
DVTV-WH	

### Case Size Series FS9

L	W	H	ML
241	68	40.5	226mm
9.5	2.68	1.6	8.9inch



**WARNING:** Always Disconnect Power Before Handling. Case Should be Grounded. Install in Accordance with National and Local Electrical Codes

# LED DRIVER 57W 0-10V Dimming

Output Range 35V to 57V Constant Current 1000mA Max **57W**  
**IP67**

Universal Voltage 120-277V Electronic Constant Current LED Driver 0-10V Dimming. Output Range of 35V to 57V for Single circuit 57W maximum.

## Technical Specification:

Class 2 UL, CUL Recognized, ROHS Compliant  
 EMI FCC Part 15, Class A  
 Rating: **IP67**, Class 2 UL  
 Output Open/Short Protection  
 Min. Starting Temp: - 40° C  
 Max. Case Temp: 90° C  
 Typical Efficiency: 85%

Input Voltage range:  $\pm 10\%$   
 Output Load range  $\pm 5\%$   
 Input Frequency: 50/60HZ  
 THD: < 20%  
 Power Factor Min: 0.95  
 Remote Wiring Distance Full Load: 18AWG -18 ft

**Case Size: Series FS8**

Due to continuing efforts to offer improved products all specifications are subject to change without prior notice

INPUT VOLTAGE	INPUT CURRENT	INPUT WATTS	OUTPUT POWER WATTS MAX	OUTPUT VOLTAGE	OUTPUT CURRENT AMPS	MODEL
120	0.6A	70	57	35 to 57V	1.0A	<b>NU1000C57WSD-IP67</b>
277	0.26A					

### LIMITED WARRANTY

5 YEAR at maximum case temperature 75 deg C. 3 YEAR at maximum case temperature 90 deg C. Manufacturer warrants to the purchaser: Product will be free from defects in material or workmanship from the date of manufacture conditioned upon proper storage, installation, use, and maintenance and conformance with any recommendations of Manufacturer

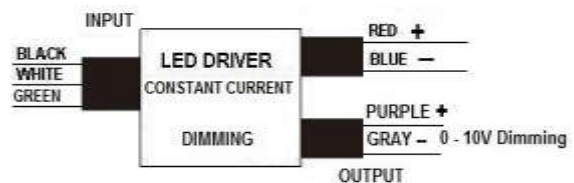
### Lead Length

Colour	inch	cm
Black	5.9	15
White	5.9	15
Blue	5.9	15
Red	5.9	15
Gray	5.9	15
Purple	5.9	15

### 0-10V Dimmer

#### Compatibility Chart

LEVITON	LUTRON
DS710-10Z	NFTV
IP710-DL	



Case Size	L	W	H	ML
Series FS8	241mm	61.5mm	39mm	226mm
	9.5inch	2.42inch	1.54inch	8.9inch

**WARNING: Always Disconnect Power Before Handling.**  
**Case Should be Grounded. Install in Accordance with National and Local Electrical Codes.**

# LED DRIVER 40W 0-10V Dimming

Output Range 22V to 36V Constant Current **1100mA** Max **40W**  
**IP67**

Universal Voltage 120-277V Electronic Constant Current LED Driver 0-10V Dimming. Output Range of 22V to 36V for Single circuit 40W maximum.

## Technical Specification:

Class 2 UL, CUL Certified, ROHS Compliant

EMI FCC Part 15, Class A

Rating: **IP67**

Output Open/Short Protection

Min. Starting Temp: -40° C

Max. Case Temp: 90° C

Efficiency: 85%

Input Voltage range:  $\pm 10\%$

Output Load range:  $\pm 5\%$

Input Frequency: 50/60HZ

THD: < 20%

Power Factor Min: 0.95

Remote Wiring Distance Full Load: 18AWG -18 ft Typical

Case Size: Series FS8

Due to continuing efforts to offer improved products all specifications are subject to change without prior notice

INPUT VOLTAGE	INPUT CURRENT	INPUT WATTS	OUTPUT POWER WATTS MAX	OUTPUT VOLTAGE	OUTPUT CURRENT AMPS	MODEL
120	0.41A	47	40	22 to 36V	1.1A	NU1100C40WSD-IP67
277	018A					

### LIMITED WARRANTY

5 YEAR at maximum case temperature 75 deg C. 3 YEAR at maximum case temperature 90 deg C. Manufacturer warrants to the purchaser: Product will be free from defects in material or workmanship from the date of manufacture conditioned upon proper storage, installation, use, and maintenance and conformance with any recommendations of Manufacturer

### Lead Length

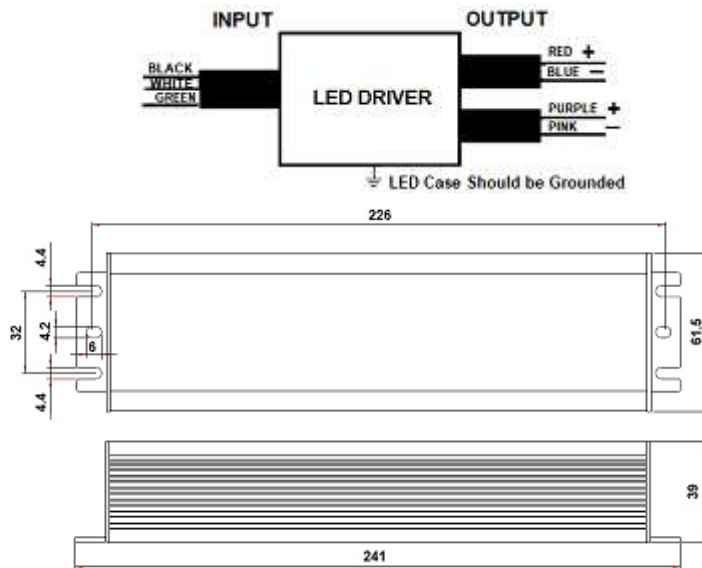
Colour	inc	cm
Black	6	15.2
White	6	15.2
Blue	6	15.2
Red	6	15.2
Pink	7.1	18
Purple	7.1	18

### 0-10V Dimmer Compatibility Chart

LUTRON	LEVITON
NFTV	DS710-10Z
DVTV-WH	

### Case Size Series FS8

L	W	H	ML
241	61.5	39	226mm
9.5	2.42	1.54	8.9inch



**WARNING:** Always Disconnect Power Before Handling. Case Should be Grounded. Install in Accordance with National and Local Electrical Codes

# LED DRIVER 43W 0-10V Dimming

Output Range 22V to 36V Constant Current **1200mA** Max **43W**  
**IP67**

Universal Voltage 120-277V Electronic Constant Current LED Driver 0-10V Dimming. Output Range of 22V to 36V for Single Output circuit 43W maximum.

## Technical Specification:

Class 2 UL, CUL Recognized, ROHS Compliant  
 EMI FCC Part 15, Class A

Rating: **IP67**

Output Open/Short Protection

Min. Starting Temp: - 40° C

Max. Case Temp: 90° C

Typical Efficiency: 85%

Input Voltage range:  $\pm 10\%$

Output Load range:  $\pm 5\%$

Input Frequency: 50/60HZ

THD: < 20%

Power Factor Min: 0.9

Remote Wiring Distance Full Load: 18AWG -18 ft

**Case Size: Series FS8**

Due to continuing efforts to offer improved products all specifications are subject to change without prior notice

INPUT VOLTAGE	INPUT CURRENT	INPUT WATTS	OUTPUT POWER WATTS MAX	OUTPUT VOLTAGE	OUTPUT CURRENT AMPS	MODEL
120	0.50A	51	43	22 to 36V	1.2A	<b>NU1200C43WSD-IP67</b>
277	0.22A					

### LIMITED WARRANTY

5 YEAR at maximum case temperature 75 deg C. 3 YEAR at maximum case temperature 90 deg C. Manufacturer warrants to the purchaser: Product will be free from defects in material or workmanship from the date of manufacture conditioned upon proper storage, installation, use, and maintenance and conformance with any recommendations of Manufacturer

### Lead Length

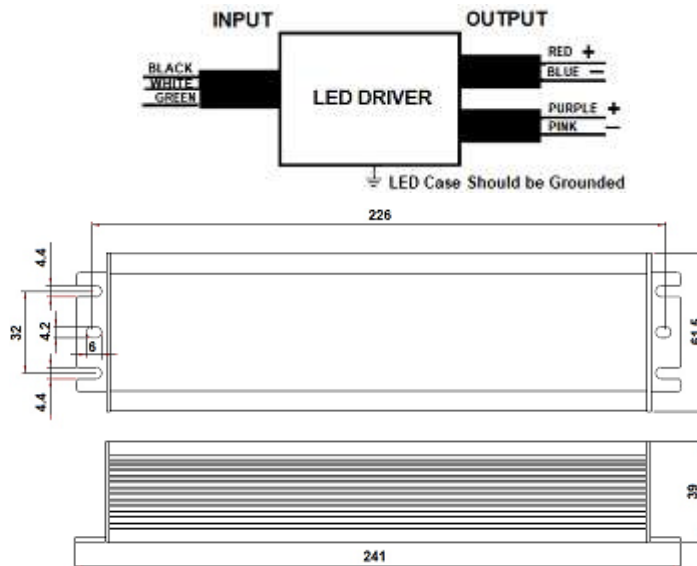
Colour	inc	cm
Black	6	15.2
White	6	15.2
Blue	6	15.2
Red	6	15.2
Pink	7.1	18
Purple	7.1	18

### 0-10V Dimmer Compatibility Chart

LUTRON	LEVITON
NFTV	DS710-10Z
DVTV-WH	

### Case Size Series FS8

L	W	H	ML
241	61.5	39	226mm
9.5	2.42	1.54	8.9inch



**WARNING:** Always Disconnect Power Before Handling. Case Should be Grounded. Install in Accordance with National and Local Electrical Codes



# LED DRIVER 67W 0-10V Dimming

Output Range 34V to 56V Constant Current **1200mA** Max **67W**  
**IP67**

Universal Voltage 120-277V Electronic Constant Current LED Driver 0-10V Dimming. Output Range of 34V to 56V for Single Output circuit 67W maximum.

## Technical Specification:

Class 2 UL, CUL Recognized, ROHS Compliant

EMI FCC Part 15, Class A

Rating: **IP67**

Output Open/Short Protection

Min. Starting Temp: - 40° C

Max. Case Temp: 90° C

Typical Efficiency: 85%

Input Voltage range:  $\pm 10\%$

Output Load range  $\pm 5\%$

Input Frequency: 50/60HZ

THD: < 20%

Power Factor Min: 0.9

Remote Wiring Distance Full Load: 18AWG -18 ft

**Case Size: Series FS8**

Due to continuing efforts to offer improved products all specifications are subject to change without prior notice

INPUT VOLTAGE	INPUT CURRENT	INPUT WATTS	OUTPUT POWER WATTS MAX	OUTPUT VOLTAGE	OUTPUT CURRENT AMPS	MODEL
120	0.86A	79	67	34 to 56V	1.2A	<b>NU1200C67WSD-IP67</b>
277	0.38A					

### LIMITED WARRANTY

5 YEAR at maximum case temperature 75 deg C. 3 YEAR at maximum case temperature 90 deg C. Manufacturer warrants to the purchaser: Product will be free from defects in material or workmanship from the date of manufacture conditioned upon proper storage, installation, use, and maintenance and conformance with any recommendations of Manufacturer

### Lead Length

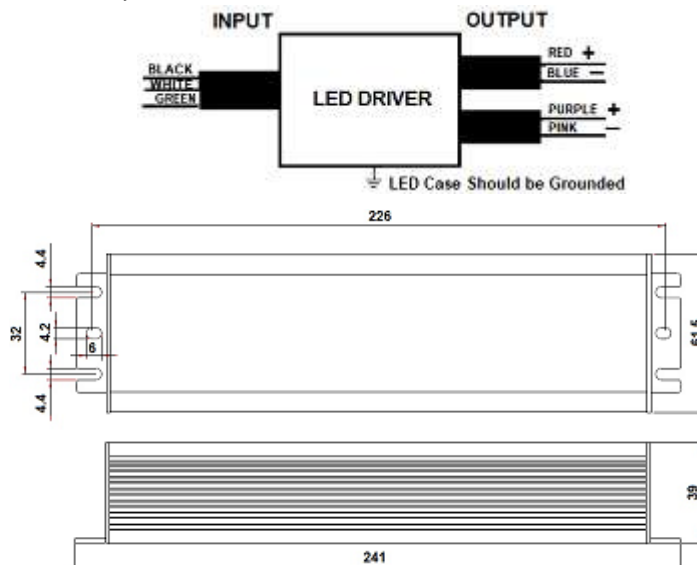
Colour	inc	cm
Black	6	15.2
White	6	15.2
Blue	6	15.2
Red	6	15.2
Pink	7.1	18
Purple	7.1	18

### 0-10V Dimmer Compatibility Chart

LUTRON	LEVITON
NFTV	DS710-10Z
DVTV-WH	

### Case Size Series FS8

L	W	H	ML
241	61.5	39	226mm
9.5	2.42	1.54	8.9inch



**WARNING:** Always Disconnect Power Before Handling. Case Should be Grounded. Install in Accordance with National and Local Electrical Codes

901 - 3rd Street West, North Vancouver, BC V7P 3P9 Canada

TEL: 604-904-9533

www.sagedrivers.com www.sagelighting.com

*Sage  
Lighting Ltd.*

# LED DRIVER 52W 0-10V Dimming

Output Range 25V to 42V Constant Current **1240mA** Max **52W**  
**IP67**

Universal Voltage 120-277V Electronic Constant Current LED Driver 0-10V Dimming. Output Range of 25V to 52V for Single circuit 52W maximum.

## Technical Specification:

Class 2 UL, CUL Recognized, ROHS Compliant

EMI FCC Part 15, Class A

Rating: **IP67**

Output Open/Short Protection

Min. Starting Temp: -40° C

Max. Case Temp: 90° C

Efficiency: 80%

Input Voltage range:  $\pm 10\%$

Output Load range:  $\pm 5\%$

Input Frequency: 50/60HZ

THD: < 20%

Power Factor Min: 0.95

Remote Wiring Distance Full Load: 18AWG -18 ft Typical

Case Size: Series FS8

Due to continuing efforts to offer improved products all specifications are subject to change without prior notice

INPUT VOLTAGE	INPUT CURRENT	INPUT WATTS	OUTPUT POWER WATTS MAX	OUTPUT VOLTAGE	OUTPUT CURRENT AMPS	MODEL
120	0.54A	65	52	25 to 42V	1.24A	<b>NU1240C52WSD-IP67</b>
277	0.249A					

### LIMITED WARRANTY

5 YEAR at maximum case temperature 75 deg C. 3 YEAR at maximum case temperature 90 deg C. Manufacturer warrants to the purchaser: Product will be free from defects in material or workmanship from the date of manufacture conditioned upon proper storage, installation, use, and maintenance and conformance with any recommendations of Manufacturer

### Lead Length

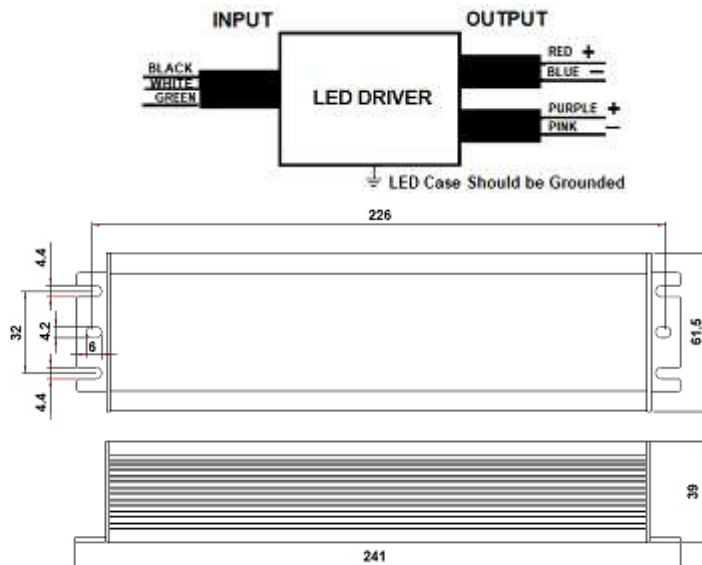
Colour	inc	cm
Black	6	15.2
White	6	15.2
Blue	6	15.2
Red	6	15.2
Pink	7.1	18
Purple	7.1	18

### 0-10V Dimmer Compatibility Chart

LUTRON	LEVITON
NFTV	DS710-10Z
DVTV-WH	

### Case Size Series FS8

L	W	H	ML
241	61.5	39	226mm
9.5	2.42	1.54	8.9inch



**WARNING:** Always Disconnect Power Before Handling. Case Should be Grounded. Install in Accordance with National and Local Electrical Codes

# LED DRIVER 52W 0-10V Dimming

Output Range 22V to 37V Constant Current **1400mA** Max **52W**  
**IP67**

Universal Voltage 120-277V Electronic Constant Current LED Driver 0-10V Dimming. Output Range of 22V to 37V for Single circuit 52W maximum.

## Technical Specification:

Class 2 UL, CUL Recognized, ROHS Compliant  
 EMI FCC Part 15, Class A

Rating: **IP67**

Output Open/Short Protection

Min. Starting Temp: - 40° C

Max. Case Temp: 90° C

Typical Efficiency: 86%

Input Voltage range:  $\pm 10\%$   
 Output Load range  $\pm 5\%$   
 Input Frequency: 50/60HZ  
 THD: < 20%  
 Power Factor Min: 0.90  
 Remote Wiring Distance Full Load: 18AWG -18 ft

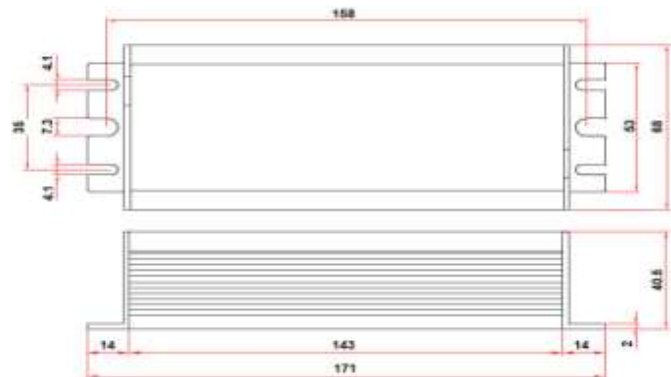
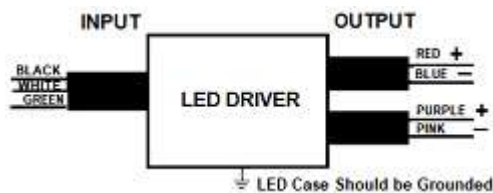
Case Size: Series C9U

Due to continuing efforts to offer improved products all specifications are subject to change without prior notice

INPUT VOLTAGE	INPUT CURRENT	INPUT WATTS	OUTPUT POWER WATTS MAX	OUTPUT VOLTAGE	OUTPUT CURRENT AMPS	MODEL
120	0.6A	60	52	22 to 37V	1.4A	<b>NU1400C52WSD-IP67</b>
277	0.26A					

### LIMITED WARRANTY

5 YEAR at maximum case temperature 75 deg C. 3 YEAR at maximum case temperature 90 deg C. Manufacturer warrants to the purchaser: Product will be free from defects in material or workmanship from the date of manufacture conditioned upon proper storage, installation, use, and maintenance and conformance with any recommendations of Manufacturer



### Case Size Series C9U

L	W	H	ML
171	68	40.5	158mm
6.73	2.68	1.6	6.22inch

### Lead Length

Colour	inc	cm
Black	6	15.2
White	6	15.2
Blue	6	15.2
Red	6	15.2
Pink	7.1	18
Purple	7.1	18

### 0-10V Dimmer Compatibility Chart

LUTRON	LEVITON
NFTV	DS710-10Z
DVTV-WH	

**WARNING:** Always Disconnect Power Before Handling. Case Should be Grounded. Install in Accordance with National and Local Electrical Codes

# LED DRIVER 150W 0-10V Dimming

Output Range 64V to 107V Constant Current **1400mA** Max **150W**  
**IP67**

Universal Voltage 120-277V Electronic Constant Current 1400mA LED Driver. 0-10V Dimming. Output Range of 64V to 107V for Single circuit 150W maximum.

## Technical Specification:

UL, CUL Recognized, ROHS Compliant

EMI FCC Part 15, Class A

Rating: **IP67**

Output Open/Short Protection

Min. Starting Temp: -40° C

Max. Case Temp: 90° C

Efficiency: 88%

Input Voltage range:  $\pm 10\%$

Output Load range:  $\pm 5\%$

Input Frequency: 50/60HZ

THD: < 20%

Power Factor Min: 0.90

Remote Wiring Distance Full Load: 18AWG -18 ft Typical

Case Size: Series FS9

Due to continuing efforts to offer improved products all specifications are subject to change without prior notice

INPUT VOLTAGE	INPUT CURRENT	INPUT WATTS	OUTPUT POWER WATTS MAX	OUTPUT VOLTAGE	OUTPUT CURRENT AMPS	MODEL
120	1.45A	170	150	64 to 107V	1.4A	<b>NU1400C150WSD-IP67</b>
277	0.64A					

### LIMITED WARRANTY

5 YEAR at maximum case temperature 75 deg C. 3 YEAR at maximum case temperature 90 deg C. Manufacturer warrants to the purchaser: Product will be free from defects in material or workmanship from the date of manufacture conditioned upon proper storage, installation, use, and maintenance and conformance with any recommendations of Manufacturer

### Lead Length

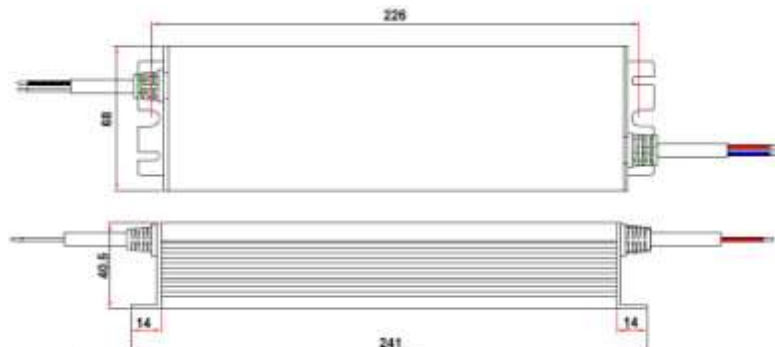
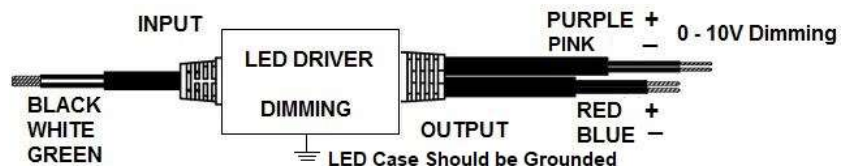
Colour	inc	cm
Black	6	15.2
White	6	15.2
Blue	6	15.2
Red	6	15.2
Pink	7.1	18
Purple	7.1	18

### 0-10V Dimmer Compatibility Chart

LUTRON	LEVITON
NFTV	DS710-10Z
DVTV-WH	

### Case Size Series FS9

L	W	H	ML
241	68	40.5	226mm
9.5	2.68	1.6	8.9inch



**WARNING:** Always Disconnect Power Before Handling. Case Should be Grounded. Install in Accordance with National and Local Electrical Codes

# LED DRIVER 54W 0-10V Dimming

Output Range 22V to 36V Constant Current **1500mA** Max **54W**  
**IP67**

Universal Voltage 120-277V Electronic Constant Current LED Driver 0-10V Dimming. Output Range of 22V to 36V for Single circuit 54W maximum.

## Technical Specification:

Class 2 UL, CUL Recognized, ROHS Compliant  
 EMI FCC Parts 18, Subparts C, Class A

Rating: **IP67**

Output Open/Short Protection

Min. Starting Temp: - 40° C

Max. Case Temp: 90° C

Typical Efficiency: 88%

Input Voltage range: **± 10%**

Output Load range **± 5%**

Input Frequency: **50/60HZ**

THD: **< 20%**

Power Factor Min: **0.90**

Remote Wiring Distance Full Load: **18AWG -18 ft**

**Case Size: Series FS8**

Due to continuing efforts to offer improved products all specifications are subject to change without prior notice

INPUT VOLTAGE	INPUT CURRENT	INPUT WATTS	OUTPUT POWER WATTS MAX	OUTPUT VOLTAGE	OUTPUT CURRENT AMPS	MODEL
120	0.79A	61	54	22 to 36V	1.5A	<b>NU1500C54WSD-IP67</b>
277	0.34A					

### LIMITED WARRANTY

5 YEAR at maximum case temperature 75 deg C. 3 YEAR at maximum case temperature 90 deg C. Manufacturer warrants to the purchaser: Product will be free from defects in material or workmanship from the date of manufacture conditioned upon proper storage, installation, use, and maintenance and conformance with any recommendations of Manufacturer

### Lead Length

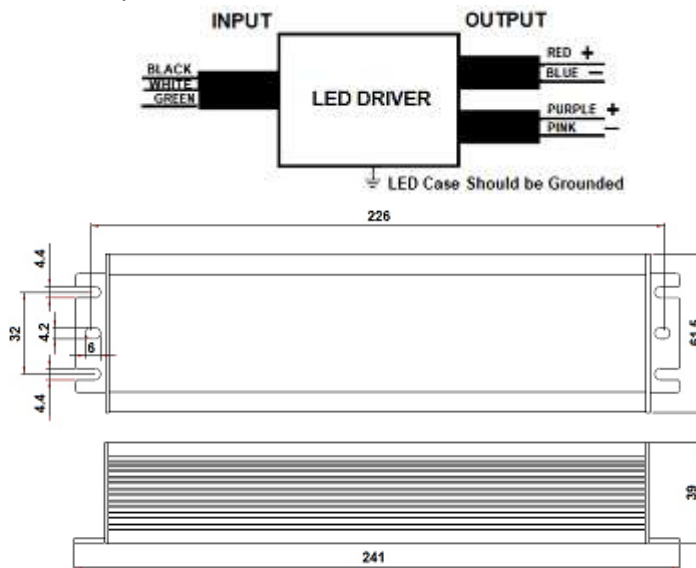
Colour	inc	cm
Black	6	15.2
White	6	15.2
Blue	6	15.2
Red	6	15.2
Pink	7.1	18
Purple	7.1	18

### 0-10V Dimmer Compatibility Chart

LUTRON	LEVITON
NFTV	DS710-10Z
DVTV-WH	

### Case Size Series FS8

L	W	H	ML
241	61.5	39	226mm
9.5	2.42	1.54	8.9inch



**WARNING:** Always Disconnect Power Before Handling. Case Should be Grounded. Install in Accordance with National and Local Electrical Codes

# LED DRIVER 60W 0-10V Dimming

Output Range 24V to 40V Constant Current 1500mA Max **60W**  
**IP67**

Universal Voltage 120-277V Electronic Constant Current LED Driver 0-10V Dimming. Output Range of 24V to 40V for Single circuit 60W maximum.

## Technical Specification:

Class 2 UL, CUL Recognized, ROHS Compliant  
 EMI FCC Parts 18, Subparts C, Class A

Rating: **IP67**

Output Open/Short Protection

Min. Starting Temp: - 40° C

Max. Case Temp: 90° C

Typical Efficiency: 88%

Input Voltage range: **± 10%**

Output Load range **± 5%**

Input Frequency: **50/60HZ**

THD: **< 20%**

Power Factor Min: **0.90**

Remote Wiring Distance Full Load: **18AWG -18 ft**

**Case Size: Series FS8**

Due to continuing efforts to offer improved products all specifications are subject to change without prior notice

INPUT VOLTAGE	INPUT CURRENT	INPUT WATTS	OUTPUT POWER WATTS MAX	OUTPUT VOLTAGE	OUTPUT CURRENT AMPS	MODEL
120	0.60A	71	60	24 to 40V	1.5A	<b>NU1500C60WSD-IP67</b>
277	0.26A					

### LIMITED WARRANTY

5 YEAR at maximum case temperature 75 deg C. 3 YEAR at maximum case temperature 90 deg C. Manufacturer warrants to the purchaser: Product will be free from defects in material or workmanship from the date of manufacture conditioned upon proper storage, installation, use, and maintenance and conformance with any recommendations of Manufacturer

### Lead Length

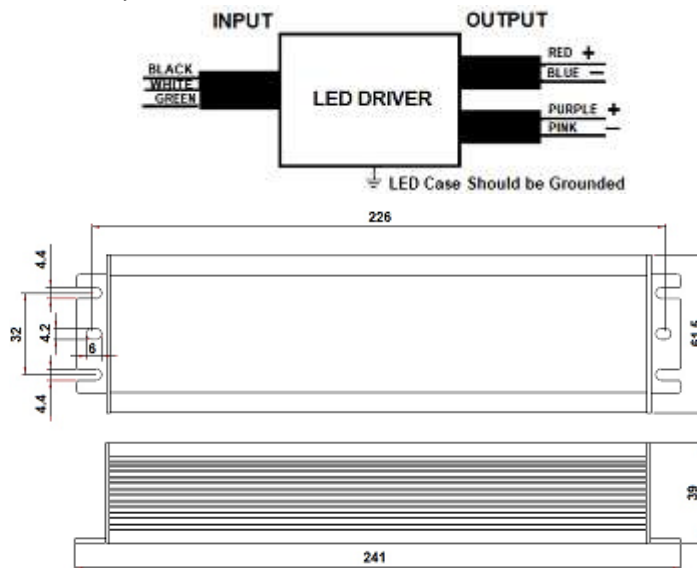
Colour	inc	cm
Black	6	15.2
White	6	15.2
Blue	6	15.2
Red	6	15.2
Pink	7.1	18
Purple	7.1	18

### 0-10V Dimmer Compatibility Chart

LUTRON	LEVITON
NFTV	DS710-10Z
DVTV-WH	

### Case Size Series FS8

L	W	H	ML
241	61.5	39	226mm
9.5	2.42	1.54	8.9inch



**WARNING:** Always Disconnect Power Before Handling. Case Should be Grounded. Install in Accordance with National and Local Electrical Codes

# LED DRIVER 84W 0-10V Dimming

Output Range 29V to 48V Constant Current **1750mA** Max **84W**  
**IP67**

Universal Voltage 120-277V Electronic Constant Current LED Driver 0-10V Dimming. Output Range of 29V to 48V for Single circuit 84W maximum.

## Technical Specification:

Class 2 UL, CUL Recognized, ROHS Compliant  
 EMI FCC Parts 18, Subparts C, Class A

Rating: **IP67**

Output Open/Short Protection

Min. Starting Temp: - 40° C

Max. Case Temp: 90° C

Typical Efficiency: 88%

Input Voltage range:  $\pm 10\%$

Output Load range  $\pm 5\%$

Input Frequency: 50/60HZ

THD: < 20%

Power Factor Min: 0.90

Remote Wiring Distance Full Load: 18AWG -18 ft

Case Size: Series FS8

Due to continuing efforts to offer improved products all specifications are subject to change without prior notice

INPUT VOLTAGE	INPUT CURRENT	INPUT WATTS	OUTPUT POWER WATTS MAX	OUTPUT VOLTAGE	OUTPUT CURRENT AMPS	MODEL
120	0.79A	95	84	29 to 48V	1.75A	<b>NU1750C84WSD-IP67</b>
277	0.34A					

### LIMITED WARRANTY

5 YEAR at maximum case temperature 75 deg C. 3 YEAR at maximum case temperature 90 deg C. Manufacturer warrants to the purchaser: Product will be free from defects in material or workmanship from the date of manufacture conditioned upon proper storage, installation, use, and maintenance and conformance with any recommendations of Manufacturer

### Lead Length

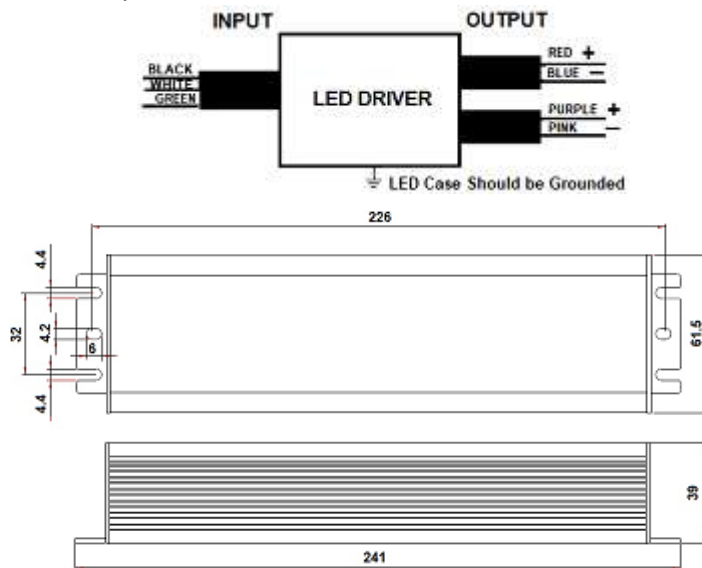
Colour	inc	cm
Black	6	15.2
White	6	15.2
Blue	6	15.2
Red	6	15.2
Pink	7.1	18
Purple	7.1	18

### 0-10V Dimmer Compatibility Chart

LUTRON	LEVITON
NFTV	DS710-10Z
DVTV-WH	

### Case Size Series FS8

L	W	H	ML
241	61.5	39	226mm
9.5	2.42	1.54	8.9inch



**WARNING:** Always Disconnect Power Before Handling. Case Should be Grounded. Install in Accordance with National and Local Electrical Codes

# LED DRIVER 96W 0-10V Dimming

Output Range 33V to 55V Constant Current **1750mA** Max **96W**  
**IP67**

Universal Voltage 120-277V Electronic Constant Current LED Driver 0-10V Dimming. Output Range of 33V to 55V for Single circuit 96W maximum.

## Technical Specification:

Class 2 UL, CUL Recognized, ROHS Compliant  
 EMI FCC Parts 18, Subparts C, Class A

Rating: **IP67**

Output Open/Short Protection

Min. Starting Temp: - 40° C

Max. Case Temp: 90° C

Typical Efficiency: 88%

Input Voltage range: **± 10%**

Output Load range **± 5%**

Input Frequency: **50/60HZ**

THD: **< 20%**

Power Factor Min: **0.90**

Remote Wiring Distance Full Load: **18AWG -18 ft**

**Case Size: Series FS8**

Due to continuing efforts to offer improved products all specifications are subject to change without prior notice

INPUT VOLTAGE	INPUT CURRENT	INPUT WATTS	OUTPUT POWER WATTS MAX	OUTPUT VOLTAGE	OUTPUT CURRENT AMPS	MODEL
120	1.07A	110	96	33 to 55V	1.75A	<b>NU1750C96WSD-IP67</b>
277	0.46A					

### LIMITED WARRANTY

5 YEAR at maximum case temperature 75 deg C. 3 YEAR at maximum case temperature 90 deg C. Manufacturer warrants to the purchaser: Product will be free from defects in material or workmanship from the date of manufacture conditioned upon proper storage, installation, use, and maintenance and conformance with any recommendations of Manufacturer

### Lead Length

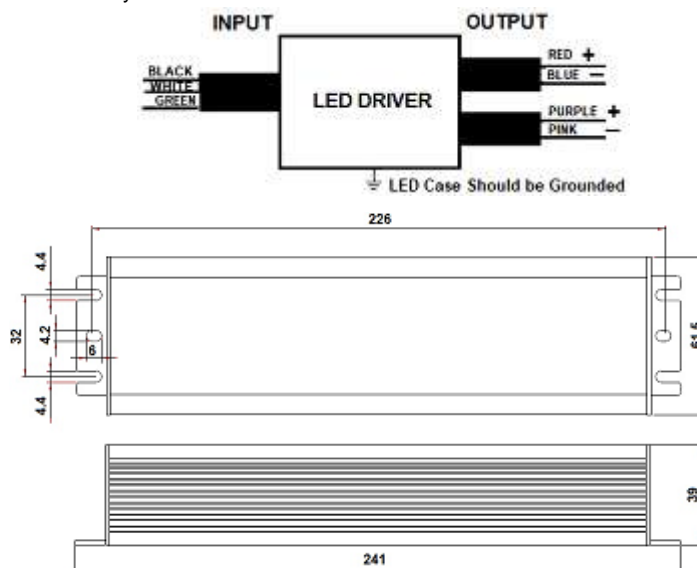
Colour	inc	cm
Black	6	15.2
White	6	15.2
Blue	6	15.2
Red	6	15.2
Pink	7.1	18
Purple	7.1	18

### 0-10V Dimmer Compatibility Chart

LUTRON	LEVITON
NFTV	DS710-10Z
DVTV-WH	

### Case Size Series FS8

L	W	H	ML
241	61.5	39	226mm
9.5	2.42	1.54	8.9inch



**WARNING:** Always Disconnect Power Before Handling. Case Should be Grounded. Install in Accordance with National and Local Electrical Codes



# LED DRIVER 150W 0-10V Dimming

Output Range 50V to 84V Constant Current **1750mA** Max **150W**  
**IP67**

Universal Voltage 120-277V Electronic Constant Current LED Driver 0-10V Dimming. Output Range of 50V to 84V for Single Output circuit 150W maximum.

## Technical Specification:

UL, CUL Recognized, ROHS Compliant

EMI FCC Part 15, Class A

Rating: **IP67**

Output Open/Short Protection

Min. Starting Temp: -40° C

Max. Case Temp: 90° C

Efficiency: 88%

Input Voltage range:  $\pm 10\%$

Output Load range:  $\pm 5\%$

Input Frequency: 50/60HZ

THD: < 20%

Power Factor Min: 0.95

Remote Wiring Distance Full Load: 18AWG -18 ft Typical

Case Size: Series FS9

Due to continuing efforts to offer improved products all specifications are subject to change without prior notice

INPUT VOLTAGE	OUTPUT POWER WATTS MAX	INPUT CURRENT	INPUT WATTS	OUTPUT VOLTAGE	OUTPUT CURRENT AMPS	MODEL
120	150	1.45A	170	50 to 84V	1.75A	NU1750C150WSD-IP67
277		0.64A				

### LIMITED WARRANTY

5 YEAR at maximum case temperature 75 deg C. 3 YEAR at maximum case temperature 90 deg C. Manufacturer warrants to the purchaser: Product will be free from defects in material or workmanship from the date of manufacture conditioned upon proper storage, installation, use, and maintenance and conformance with any recommendations of Manufacturer

### Lead Length

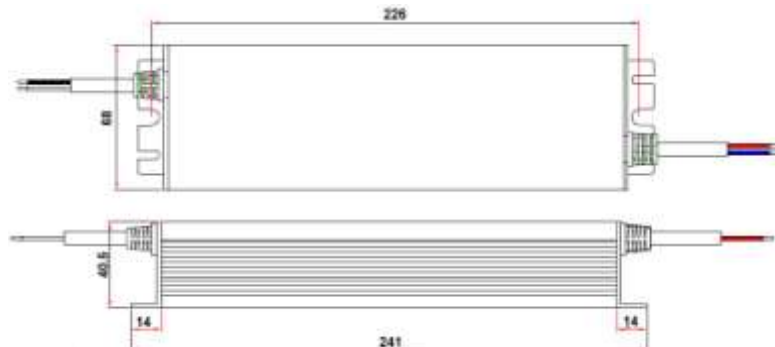
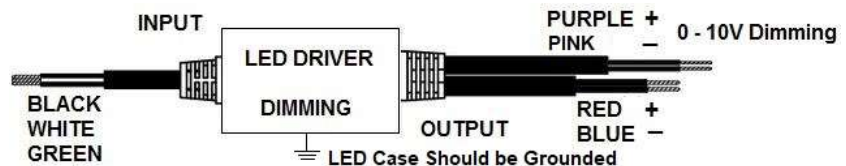
Colour	inc	cm
Black	6	15.2
White	6	15.2
Blue	6	15.2
Red	6	15.2
Pink	7.1	18
Purple	7.1	18

### 0-10V Dimmer Compatibility Chart

LUTRON	LEVITON
NFTV	DS710-10Z
DVTV-WH	

### Case Size Series FS9

L	W	H	ML
241	68	40.5	226mm
9.5	2.68	1.6	8.9inch



**WARNING:** Always Disconnect Power Before Handling. Case Should be Grounded. Install in Accordance with National and Local Electrical Codes

# LED DRIVER 72W 0-10V Dimming

Output Range 24V to 40V Constant Current **1800A** Max **72W**  
**IP67**

Universal Voltage 120-277V Electronic Constant Current LED Driver 0-10V Dimming. Output Range of 24V to 40V for Single circuit 72W maximum.

## Technical Specification:

Class 2 UL, CUL Recognized ROHS Compliant  
 EMI FCC Part 15, Class A

Rating: **IP67**

Output Open/Short Protection

Min. Starting Temp: - 40° C

Max. Case Temp: 90° C

Typical Efficiency: 87%

Input Voltage range: + 5%

Output Load range: ± 5%

Input Frequency: 50/60HZ

THD: < 20%

Power Factor Min: 0.90

Remote Wiring Distance Full Load: 18AWG -18 ft

Case Size: Series FS8

Due to continuing efforts to offer improved products all specifications are subject to change without prior notice

INPUT VOLTAGE	INPUT CURRENT	INPUT WATTS	OUTPUT POWER WATTS MAX	OUTPUT VOLTAGE	OUTPUT CURRENT AMPS	MODEL
120V-277V	0.79A - 0.30A	83	72	24 to 40V	1.8A	NU1800C72WSD-IP67

### LIMITED WARRANTY

5 YEAR at maximum case temperature 75 deg C. 3 YEAR at maximum case temperature 90 deg C. Manufacturer warrants to the purchaser: Product will be free from defects in material or workmanship from the date of manufacture conditioned upon proper storage, installation, use, and maintenance and conformance with any recommendations of Manufacturer

### Lead Length

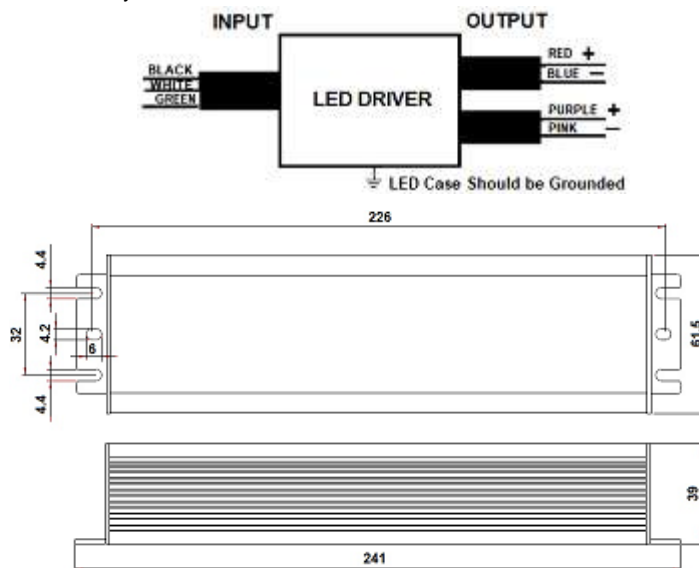
Colour	inc	cm
Black	6	15.2
White	6	15.2
Blue	6	15.2
Red	6	15.2
Pink	7.1	18
Purple	7.1	18

### 0-10V Dimmer Compatibility Chart

LUTRON	LEVITON
NFTV	DS710-10Z
DVTW-WH	

### Case Size Series FS8

L	W	H	ML
241	61.5	39	226mm
9.5	2.42	1.54	8.9inch



**WARNING:** Always Disconnect Power Before Handling. Case Should be Grounded. Install in Accordance with National and Local Electrical Codes

# LED DRIVER 90W 0-10V Dimming

Output Range 30V to 50V Constant Current **1800mA** Max **90W**  
**IP67**

Universal Voltage 120-277V Electronic Constant Current LED Driver 0-10V Dimming. Output Range of 30V to 50V for Single Output circuit 90W maximum.

## Technical Specification:

UL, CUL Recognized, ROHS Compliant  
 EMI FCC Part 15, Class A  
 Rating: **IP67**  
 Output Open/Short Protection  
 Min. Starting Temp: - 40° C  
 Max. Case Temp: 90° C  
 Typical Efficiency: 88%

Input Voltage range: **± 10%**  
 Output Load range **± 5%**  
 Input Frequency: **50/60HZ**  
 THD: **< 20%**  
 Power Factor Min: **0.90**  
 Remote Wiring Distance Full Load: **18AWG -18 ft**

**Case Size: Series FS9**

Due to continuing efforts to offer improved products all specifications are subject to change without prior notice

INPUT VOLTAGE	INPUT CURRENT	INPUT WATTS	OUTPUT POWER WATTS MAX	OUTPUT VOLTAGE	OUTPUT CURRENT AMPS	MODEL
120	1.45A	113	90	30 to 50V	1.8A	<b>NU1800C90WSD-IP67</b>
277	0.64A					

### LIMITED WARRANTY

5 YEAR at maximum case temperature 75 deg C. 3 YEAR at maximum case temperature 90 deg C. Manufacturer warrants to the purchaser: Product will be free from defects in material or workmanship from the date of manufacture conditioned upon proper storage, installation, use, and maintenance and conformance with any recommendations of Manufacturer

### Lead Length

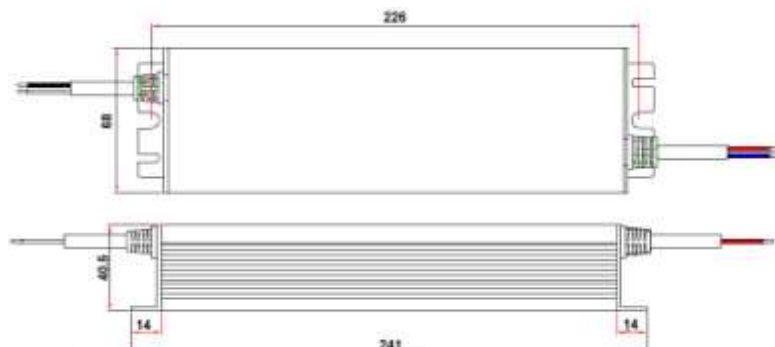
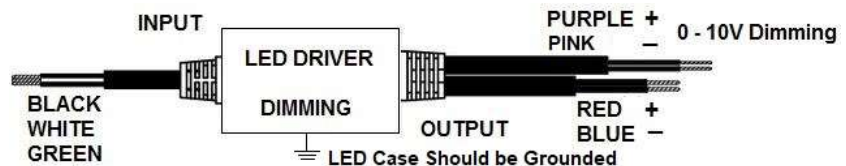
Colour	inc	cm
Black	6	15.2
White	6	15.2
Blue	6	15.2
Red	6	15.2
Pink	7.1	18
Purple	7.1	18

### 0-10V Dimmer Compatibility Chart

LUTRON	LEVITON
NFTV	DS710-10Z
DVTV-WH	

### Case Size Series FS9

L	W	H	ML
241	68	40.5	226mm
9.5	2.68	1.6	8.9inch



**WARNING:** Always Disconnect Power Before Handling. Case Should be Grounded. Install in Accordance with National and Local Electrical Codes

# LED DRIVER 100W 0-10V Dimming

Output Range 32V to 54V Constant Current **1800mA** Max **100W**  
**IP67**

Universal Voltage 120-277V Electronic Constant Current LED Driver 0-10V Dimming. Output Range of 32V to 54V for Single Output circuit 100W maximum.

## Technical Specification:

UL, CUL Recognized, ROHS Compliant

EMI FCC Part 15, Class A

Rating: **IP67**

Output Open/Short Protection

Min. Starting Temp: - 40° C

Max. Case Temp: 90° C

Typical Efficiency: 88%

Input Voltage range:  $\pm 10\%$

Output Load range  $\pm 5\%$

Input Frequency: 50/60HZ

THD: < 20%

Power Factor Min: 0.9

Remote Wiring Distance Full Load: 18AWG -18 ft

Case Size: Series FS9

Due to continuing efforts to offer improved products all specifications are subject to change without prior notice

INPUT VOLTAGE	INPUT CURRENT	INPUT WATTS	OUTPUT POWER WATTS MAX	OUTPUT VOLTAGE	OUTPUT CURRENT AMPS	MODEL
120	1.45A	114	100	32 to 54V	1.8A	NU1800C100WSD-IP67
277	0.64A					

### LIMITED WARRANTY

5 YEAR at maximum case temperature 75 deg C. 3 YEAR at maximum case temperature 90 deg C. Manufacturer warrants to the purchaser: Product will be free from defects in material or workmanship from the date of manufacture conditioned upon proper storage, installation, use, and maintenance and conformance with any recommendations of Manufacturer

### Lead Length

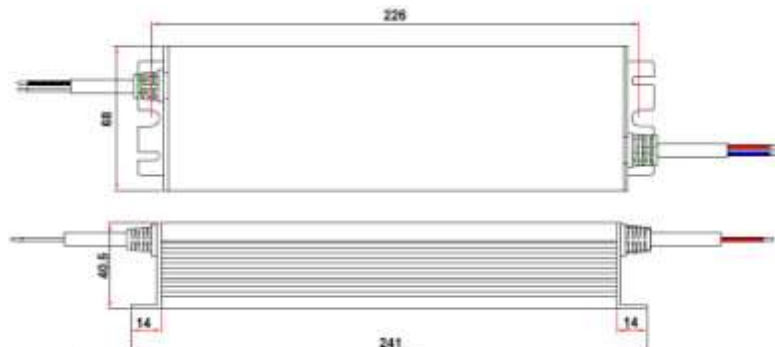
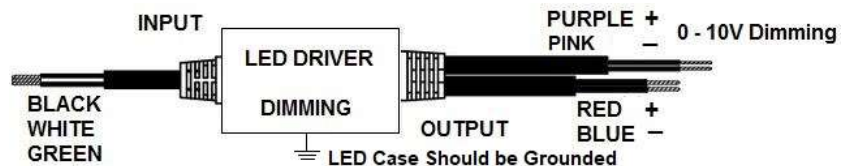
Colour	inc	cm
Black	6	15.2
White	6	15.2
Blue	6	15.2
Red	6	15.2
Pink	7.1	18
Purple	7.1	18

### 0-10V Dimmer Compatibility Chart

LUTRON	LEVITON
NFTV	DS710-10Z
DVTV-WH	

### Case Size Series FS9

L	W	H	ML
241	68	40.5	226mm
9.5	2.68	1.6	8.9inch



**WARNING:** Always Disconnect Power Before Handling. Case Should be Grounded. Install in Accordance with National and Local Electrical Codes

901 - 3rd Street West, North Vancouver, BC V7P 3P9 Canada

TEL: 604-904-9533

www.sagedrivers.com www.sagelighting.com

*Sage  
Lighting Ltd.*

# LED DRIVER 40W 0-10V Dimming

Output Range 12V to 20V Constant Current **2000mA** Max **40W**  
**IP67**

Universal Voltage 120-277V Electronic Constant Current LED Driver 0-10V Dimming. Output Range of 12V to 20V for Single circuit 40W maximum.

## Technical Specification:

Class 2 UL, CUL Recognized, ROHS Compliant  
 EMI FCC Part 15, Class A

Rating: **IP67**

Output Open/Short Protection

Min. Starting Temp: - 40° C

Max. Case Temp: 90° C

Typical Efficiency: 85%

Input Voltage range:  $\pm 10\%$

Output Load range  $\pm 5\%$

Input Frequency: 50/60HZ

THD: < 20%

Power Factor Min: 0.90

Remote Wiring Distance Full Load: 18AWG -18 ft

Case Size: Series FS9

Due to continuing efforts to offer improved products all specifications are subject to change without prior notice

INPUT VOLTAGE	INPUT CURRENT	INPUT WATTS	OUTPUT POWER WATTS MAX	OUTPUT VOLTAGE	OUTPUT CURRENT AMPS	MODEL
120	0.61A	47	40	12 to 20V	2.0A	<b>NU2000C40WSD-IP67</b>
277	0.27A					

### LIMITED WARRANTY

5 YEAR at maximum case temperature 75 deg C. 3 YEAR at maximum case temperature 90 deg C. Manufacturer warrants to the purchaser: Product will be free from defects in material or workmanship from the date of manufacture conditioned upon proper storage, installation, use, and maintenance and conformance with any recommendations of Manufacturer

### Lead Length

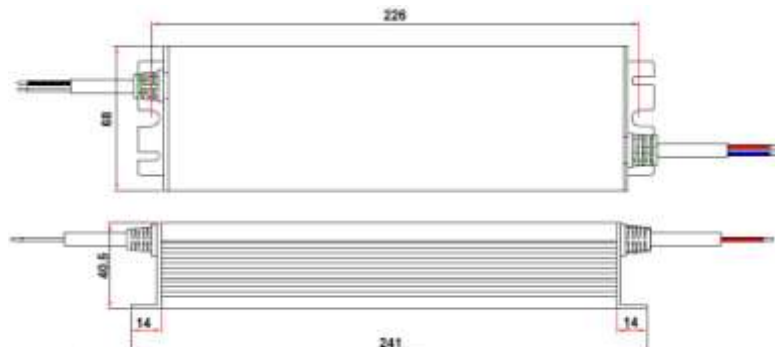
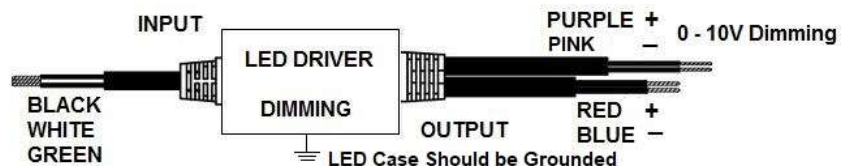
Colour	inc	cm
Black	6	15.2
White	6	15.2
Blue	6	15.2
Red	6	15.2
Pink	7.1	18
Purple	7.1	18

### 0-10V Dimmer Compatibility Chart

LUTRON	LEVITON
NFTV	DS710-10Z
DVTV-WH	

### Case Size Series FS9

L	W	H	ML
241	68	40.5	226mm
9.5	2.68	1.6	8.9inch



**WARNING:** Always Disconnect Power Before Handling. Case Should be Grounded. Install in Accordance with National and Local Electrical Codes

# LED DRIVER 84W 0-10V Dimming

Output Range 26V to 42V Constant Current **2000mA** Max **84W**  
**IP67**

Universal Voltage 120-277V Electronic Constant Current LED Driver 0-10V Dimming. Output Range of 26V to 42V for Single circuit 84W maximum.

## Technical Specification:

Class 2 UL, CUL Recognized, ROHS Compliant  
 EMI FCC Part 15, Class A

Rating: **IP67**

Output Open/Short Protection

Min. Starting Temp: - 40° C

Max. Case Temp: 90° C

Typical Efficiency: 88%

Input Voltage range:  $\pm 10\%$

Output Load range  $\pm 5\%$

Input Frequency: 50/60HZ

THD: < 20%

Power Factor Min: 0.90

Remote Wiring Distance Full Load: 18AWG -18 ft

Case Size: Series FS8

Due to continuing efforts to offer improved products all specifications are subject to change without prior notice

INPUT VOLTAGE	INPUT CURRENT AMPS	INPUT POWER WATTS	OUTPUT POWER WATTS	OUTPUT VOLTAGE	OUTPUT CURRENT AMPS	MODEL
120	0.79A	95	84	26 to 42V	2.0A	NU2000C84WSD-IP67
277	0.34					

### LIMITED WARRANTY

5 YEAR at maximum case temperature 75 deg C. 3 YEAR at maximum case temperature 90 deg C. Manufacturer warrants to the purchaser: Product will be free from defects in material or workmanship from the date of manufacture conditioned upon proper storage, installation, use, and maintenance and conformance with any recommendations of Manufacturer

### Lead Length

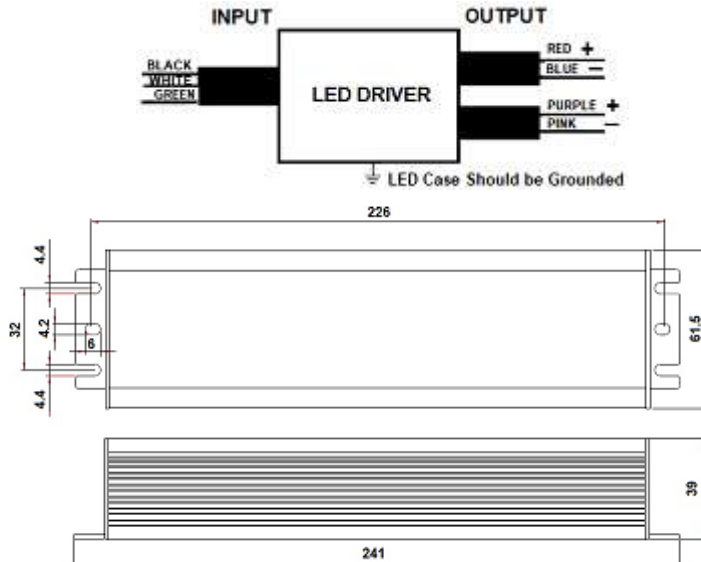
Colour	inc	cm
Black	6	15.2
White	6	15.2
Blue	6	15.2
Red	6	15.2
Pink	7.1	18
Purple	7.1	18

### 0-10V Dimmer Compatibility Chart

LUTRON	LEVITON
NFTV	DS710-10Z
DVTV-WH	

### Case Size Series FS8

L	W	H	ML
241	61.5	39	226mm
9.5	2.42	1.54	8.9inch



**WARNING:** Always Disconnect Power Before Handling. Case Should be Grounded. Install in Accordance with National and Local Electrical Codes

# LED DRIVER 86W 0-10V Dimming

Output Range 26V to 43V Constant Current **2000mA** Max **86W**  
**IP67**

Universal Voltage 120-277V Electronic Constant Current 2000mA LED Driver 0-10V Dimming. Output Range of 26V to 43V for Single circuit 86W maximum.

## Technical Specification:

Class 2 UL, CUL Recognized, ROHS Compliant  
 EMI FCC Part 15, Class A

Rating: **IP67**

Output Open/Short Protection

Min. Starting Temp: - 40° C

Max. Case Temp: 90° C

Typical Efficiency: 88%

Input Voltage range:  $\pm 10\%$

Output Load range  $\pm 5\%$

Input Frequency: 50/60HZ

THD: < 20%

Power Factor Min: 0.90

Remote Wiring Distance Full Load: 18AWG -18 ft

Case Size: Series FS8

Due to continuing efforts to offer improved products all specifications are subject to change without prior notice

INPUT VOLTAGE	INPUT CURRENT AMPS	INPUT POWER WATTS	OUTPUT POWER WATTS	OUTPUT VOLTAGE	OUTPUT CURRENT AMPS	MODEL
120	0.95A	98	86	26 to 43V	2.0A	NU2000C86WSD-IP67
277	0.41					

### LIMITED WARRANTY

5 YEAR at maximum case temperature 75 deg C. 3 YEAR at maximum case temperature 90 deg C. Manufacturer warrants to the purchaser: Product will be free from defects in material or workmanship from the date of manufacture conditioned upon proper storage, installation, use, and maintenance and conformance with any recommendations of Manufacturer

### Lead Length

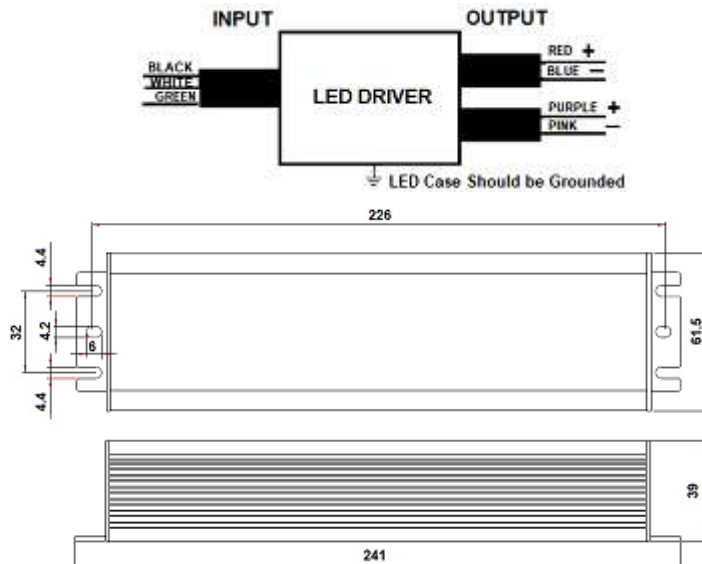
Colour	inc	cm
Black	6	15.2
White	6	15.2
Blue	6	15.2
Red	6	15.2
Pink	7.1	18
Purple	7.1	18

### 0-10V Dimmer Compatibility Chart

LUTRON	LEVITON
NFTV	DS710-10Z
DVTV-WH	

### Case Size Series FS8

L	W	H	ML
241	61.5	39	226mm
9.5	2.42	1.54	8.9inch



**WARNING:** Always Disconnect Power Before Handling. Case Should be Grounded. Install in Accordance with National and Local Electrical Codes

# LED DRIVER 84W 0-10V Dimming

Output Range 24V to 40V Constant Current **2100mA** Max **84W**  
**IP67**

Universal Voltage 120-277V Electronic Constant Current 2.1A LED Driver 0-10V Dimming. Output Range of 24V to 40V for Single circuit 84W maximum.

## Technical Specification:

Class 2 UL, CUL Recognized, ROHS Compliant  
 EMI FCC Part 15, Class A  
 Rating: **IP67**  
 Output Open/Short Protection  
 Min. Starting Temp: - 40° C  
 Max. Case Temp: 90° C  
 Typical Efficiency: 88%

Input Voltage range:  $\pm 10\%$   
 Output Load range  $\pm 5\%$   
 Input Frequency: 50/60HZ  
 THD: < 20%  
 Power Factor Min: 0.90  
 Remote Wiring Distance Full Load: 18AWG -18 ft

Case Size: Series FS8

Due to continuing efforts to offer improved products all specifications are subject to change without prior notice

INPUT VOLTAGE	INPUT CURRENT	INPUT WATTS	OUTPUT POWER WATTS MAX	OUTPUT VOLTAGE	OUTPUT CURRENT AMPS	MODEL
120V-277V	0.79A - 0.34A	95	84	24 to 40V	2.1A	<b>NU2100C84WSD-IP67</b>

### LIMITED WARRANTY

5 YEAR at maximum case temperature 75 deg C. 3 YEAR at maximum case temperature 90 deg C. Manufacturer warrants to the purchaser: Product will be free from defects in material or workmanship from the date of manufacture conditioned upon proper storage, installation, use, and maintenance and conformance with any recommendations of Manufacturer

### Lead Length

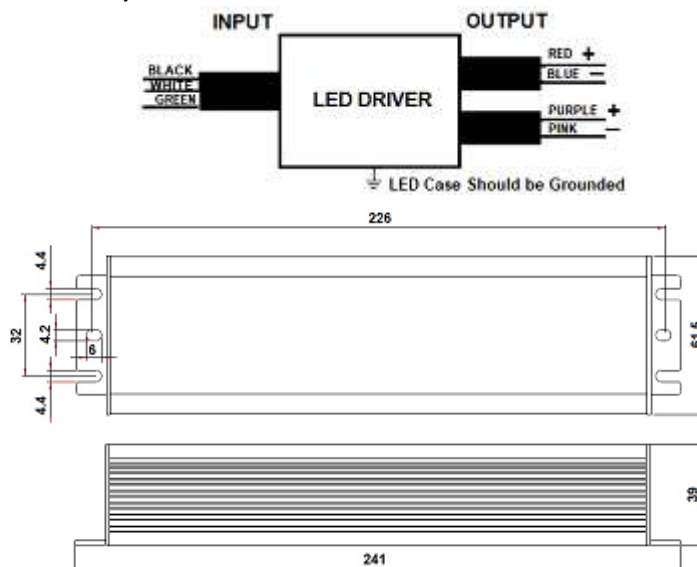
Colour	inc	cm
Black	6	15.2
White	6	15.2
Blue	6	15.2
Red	6	15.2
Pink	7.1	18
Purple	7.1	18

### 0-10V Dimmer Compatibility Chart

LUTRON	LEVITON
NFTV	DS710-10Z
DVTV-WH	

### Case Size Series FS8

L	W	H	ML
241	61.5	39	226mm
9.5	2.42	1.54	8.9inch



**WARNING:** Always Disconnect Power Before Handling. Case Should be Grounded. Install in Accordance with National and Local Electrical Codes



# LED DRIVER 120W 0-10V Dimming

Output Range 34V to 57V Constant Current **2100mA** Max **120W**  
**IP67**

Universal Voltage 120-277V Electronic Constant Current LED Driver 0-10V Dimming. Output Range of 34V to 57V for Single Output circuit 120W maximum.

## Technical Specification:

UL, CUL Recognized, ROHS Compliant  
 EMI FCC Part 15, Class A  
 Rating: **IP67**  
 Output Open/Short Protection  
 Min. Starting Temp: - 40° C  
 Max. Case Temp: 90° C  
 Typical Efficiency: 88%

Input Voltage range:  $\pm 10\%$   
 Output Load range  $\pm 5\%$   
 Input Frequency: 50/60HZ  
 THD: < 20%  
 Power Factor Min: 0.90  
 Remote Wiring Distance Full Load: 18AWG -18 ft

Case Size: Series FS9

Due to continuing efforts to offer improved products all specifications are subject to change without prior notice

INPUT VOLTAGE	INPUT CURRENT	INPUT WATTS	OUTPUT POWER WATTS MAX	OUTPUT VOLTAGE	OUTPUT CURRENT AMPS	MODEL
120	1.45A	136	120	34 to 57V	2.1A	NU2100C120WSD-IP67
277	0.64A					

### LIMITED WARRANTY

5 YEAR at maximum case temperature 75 deg C. 3 YEAR at maximum case temperature 90 deg C. Manufacturer warrants to the purchaser: Product will be free from defects in material or workmanship from the date of manufacture conditioned upon proper storage, installation, use, and maintenance and conformance with any recommendations of Manufacturer

### Lead Length

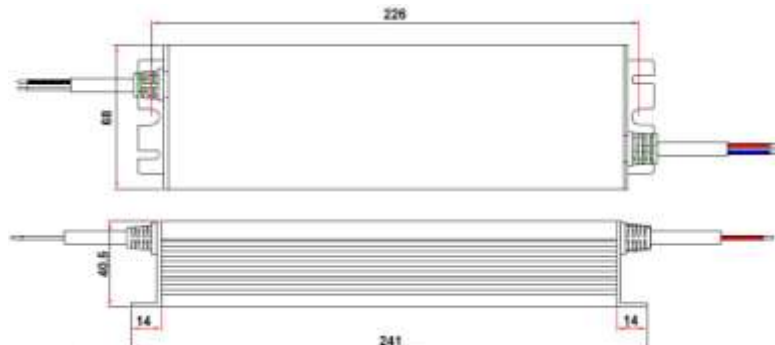
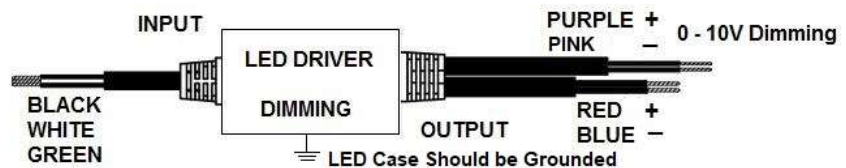
Colour	inc	cm
Black	6	15.2
White	6	15.2
Blue	6	15.2
Red	6	15.2
Pink	7.1	18
Purple	7.1	18

### 0-10V Dimmer Compatibility Chart

LUTRON	LEVITON
NFTV	DS710-10Z
DVTV-WH	

### Case Size Series FS9

L	W	H	ML
241	68	40.5	226mm
9.5	2.68	1.6	8.9inch



**WARNING:** Always Disconnect Power Before Handling. Case Should be Grounded. Install in Accordance with National and Local Electrical Codes

# LED DRIVER 75W 0-10V Dimming

Output Range 16V to 27V Constant Current **2800mA** Max **75W**  
**IP67**

Universal Voltage 120-277V Electronic Constant Current 2.8A LED Driver 0-10V Dimming. Output Range of 16V to 27V for Single circuit 75W maximum.

## Technical Specification:

UL, CUL Recognized, ROHS Compliant

EMI FCC Part 15, Class A

Rating: **IP67**

Output Open/Short Protection

Min. Starting Temp: - 40° C

Max. Case Temp: 90° C

Typical Efficiency: 87%

Input Voltage range: **± 10%**

Output Load range **± 5%**

Input Frequency: **50/60HZ**

THD: **< 20%**

Power Factor Min: **0.90**

Remote Wiring Distance Full Load: 18AWG -18 ft

**Case Size: Series FS8**

Due to continuing efforts to offer improved products all specifications are subject to change without prior notice

INPUT VOLTAGE	INPUT CURRENT	INPUT WATTS	OUTPUT POWER WATTS MAX	OUTPUT VOLTAGE	OUTPUT CURRENT AMPS	MODEL
120V-277V	1.45A - 0.64A	87	75	16 to 27V	2.8A	<b>NU2800C75WSD-IP67</b>

### LIMITED WARRANTY

5 YEAR at maximum case temperature 75 deg C. 3 YEAR at maximum case temperature 90 deg C. Manufacturer warrants to the purchaser: Product will be free from defects in material or workmanship from the date of manufacture conditioned upon proper storage, installation, use, and maintenance and conformance with any recommendations of Manufacturer

### Lead Length

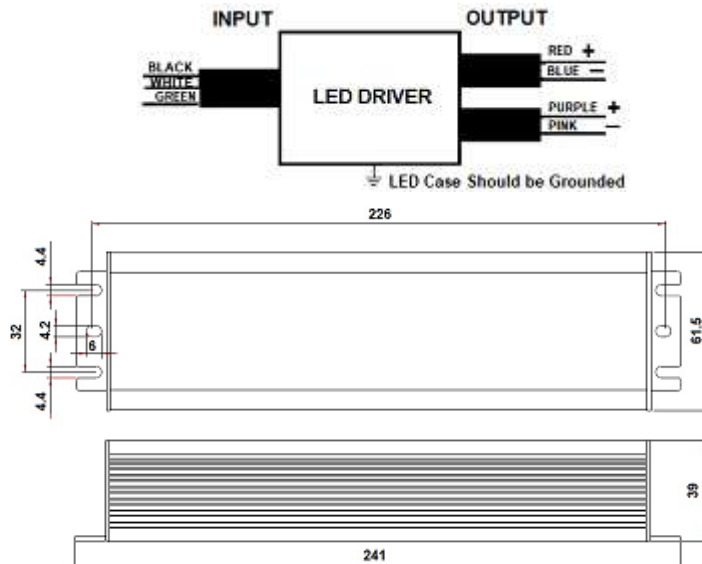
Colour	inc	cm
Black	6	15.2
White	6	15.2
Blue	6	15.2
Red	6	15.2
Pink	7.1	18
Purple	7.1	18

### 0-10V Dimmer Compatibility Chart

LUTRON	LEVITON
NFTV	DS710-10Z
DVTV-WH	

### Case Size Series FS8

L	W	H	ML
241	61.5	39	226mm
9.5	2.42	1.54	8.9inch



**WARNING:** Always Disconnect Power Before Handling. Case Should be Grounded. Install in Accordance with National and Local Electrical Codes

901 - 3rd Street West, North Vancouver, BC V7P 3P9 Canada

TEL: 604-904-9533

www.sagedrivers.com www.sagelighting.com

*Sage*  
*Lighting Ltd.*

# LED DRIVER 150W 0-10V Dimming

Output Range 32V to 54V Constant Current **2800mA** Max **150W**  
**IP67**

Universal Voltage 120-277V Electronic Constant Current LED Driver 0-10V Dimming. Output Range of 32V to 54V for Single Output circuit 150W maximum.

## Technical Specification:

UL, CUL Recognized, ROHS Compliant  
 EMI FCC Part 15, Class A  
 Rating: **IP67**  
 Output Open/Short Protection  
 Min. Starting Temp: -40° C  
 Max. Case Temp: 90° C  
 Typical Efficiency: 90%

Input Voltage range:  $\pm 10\%$   
 Output Load range:  $\pm 5\%$   
 Input Frequency: 50/60HZ  
 THD: < 20%  
 Power Factor Min: 0.90  
 Remote Wiring Distance Full Load: 18AWG -18 ft

Case Size: Series FS9

Due to continuing efforts to offer improved products all specifications are subject to change without prior notice

2/5/22

INPUT VOLTAGE	INPUT CURRENT	INPUT WATTS	OUTPUT POWER WATTS MAX	OUTPUT VOLTAGE	OUTPUT CURRENT AMPS	MODEL
120	1.46A	167	150	32 to 54V	2.8A	<b>NU2800C150WSD-IP67</b>
277	0.64A					

### LIMITED WARRANTY

5 YEAR at maximum case temperature 75 deg C. 3 YEAR at maximum case temperature 90 deg C. Manufacturer warrants to the purchaser: Product will be free from defects in material or workmanship from the date of manufacture conditioned upon proper storage, installation, use, and maintenance and conformance with any recommendations of Manufacturer

### Lead Length

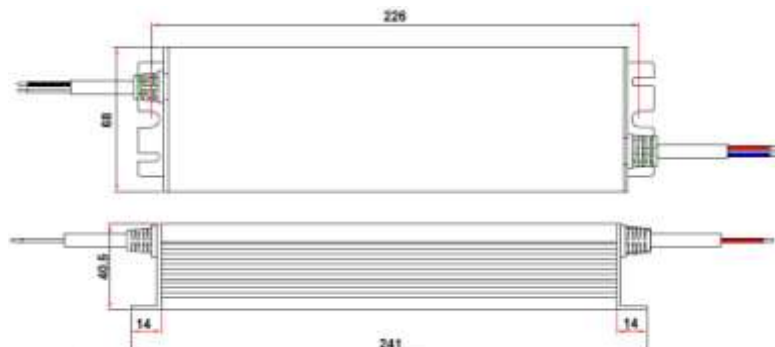
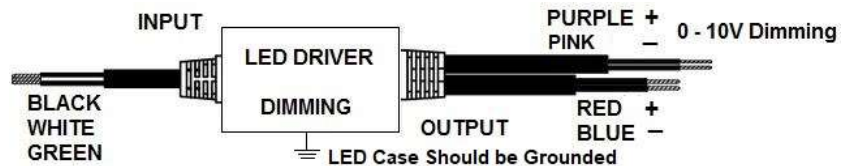
Colour	inc	cm
Black	6	15.2
White	6	15.2
Blue	6	15.2
Red	6	15.2
Pink	7.1	18
Purple	7.1	18

### 0-10V Dimmer Compatibility Chart

LUTRON	LEVITON
NFTV	DS710-10Z
DVTV-WH	

### Case Size Series FS9

L	W	H	ML
241	68	40.5	226mm
9.5	2.68	1.6	8.9inch



**WARNING:** Always Disconnect Power Before Handling. Case Should be Grounded. Install in Accordance with National and Local Electrical Codes

# LED DRIVER 122W 0-10V Dimming

Output Range 21V to 36V Constant Current **3400mA** Max **122W**  
**IP67**

Universal Voltage 120-277V Electronic Constant Current LED Driver 0-10V Dimming. Output Range of 21V to 36V for Single Output circuit 122W maximum.

## Technical Specification:

UL, CUL Recognized, ROHS Compliant

EMI FCC Part 15, Class A

Rating: **IP67**

Output Open/Short Protection

Min. Starting Temp: -40° C

Max. Case Temp: 90° C

Efficiency: 86%

Input Voltage range: **± 10%**

Output Load range: **± 5%**

Input Frequency: **50/60HZ**

THD: **< 20%**

Power Factor Min: **0.90**

Remote Wiring Distance Full Load: **18AWG -18 ft Typical**

**Case Size: Series FS9**

Due to continuing efforts to offer improved products all specifications are subject to change without prior notice

INPUT VOLTAGE	INPUT CURRENT	INPUT WATTS	OUTPUT POWER WATTS MAX	OUTPUT VOLTAGE	OUTPUT CURRENT AMPS	MODEL
120	1.45A	142	122	21 to 36V	3.4A	<b>NU3400C122WSD-IP67</b>
277	0.64A					

### LIMITED WARRANTY

5 YEAR at maximum case temperature 75 deg C. 3 YEAR at maximum case temperature 90 deg C. Manufacturer warrants to the purchaser: Product will be free from defects in material or workmanship from the date of manufacture conditioned upon proper storage, installation, use, and maintenance and conformance with any recommendations of Manufacturer

### Lead Length

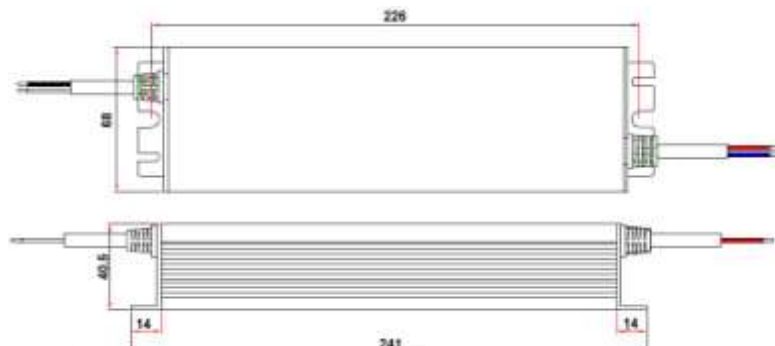
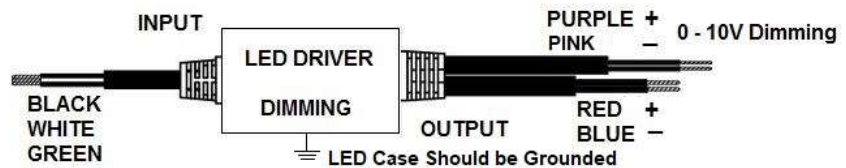
Colour	inc	cm
Black	6	15.2
White	6	15.2
Blue	6	15.2
Red	6	15.2
Pink	7.1	18
Purple	7.1	18

### 0-10V Dimmer Compatibility Chart

LUTRON	LEVITON
NFTV	DS710-10Z
DVTV-WH	

### Case Size Series FS9

L	W	H	ML
241	68	40.5	226mm
9.5	2.68	1.6	8.9inch



**WARNING:** Always Disconnect Power Before Handling. Case Should be Grounded. Install in Accordance with National and Local Electrical Codes

# LED DRIVER 150W 0-10V Dimming

Output Range 26V to 43V Constant Current **3500mA** Max **150W**  
**IP67**

Universal Voltage 120-277V Electronic Constant Current LED Driver 0-10V Dimming. Output Range of 26V to 43V for Single Output circuit 150W maximum.

## Technical Specification:

UL, CUL Recognized, ROHS Compliant

EMI FCC Part 15, Class A

Rating: **IP67**

Output Open/Short Protection

Min. Starting Temp: -40° C

Max. Case Temp: 90° C

Efficiency: 88%

Input Voltage range:  $\pm 10\%$

Output Load range:  $\pm 5\%$

Input Frequency: 50/60HZ

THD: < 20%

Power Factor Min: 0.90

Remote Wiring Distance Full Load: 18AWG -18 ft Typical

Case Size: Series FS9

Due to continuing efforts to offer improved products all specifications are subject to change without prior notice

INPUT VOLTAGE	OUTPUT POWER WATTS MAX	INPUT CURRENT	INPUT WATTS	OUTPUT VOLTAGE	OUTPUT CURRENT AMPS	MODEL
120	150	1.45A	170	26 to 43V	3.5A	NU3500C150WSD-IP67
277		0.64A				

### LIMITED WARRANTY

5 YEAR at maximum case temperature 75 deg C. 3 YEAR at maximum case temperature 90 deg C. Manufacturer warrants to the purchaser: Product will be free from defects in material or workmanship from the date of manufacture conditioned upon proper storage, installation, use, and maintenance and conformance with any recommendations of Manufacturer

### Lead Length

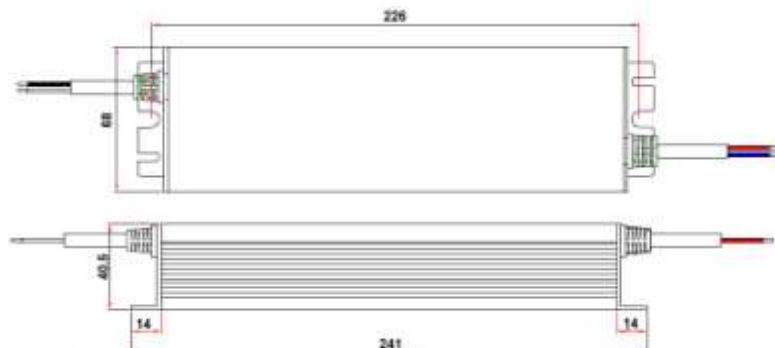
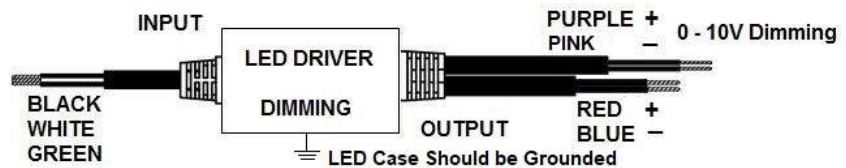
Colour	inc	cm
Black	6	15.2
White	6	15.2
Blue	6	15.2
Red	6	15.2
Pink	7.1	18
Purple	7.1	18

### 0-10V Dimmer Compatibility Chart

LUTRON	LEVITON
NFTV	DS710-10Z
DVTV-WH	

### Case Size Series FS9

L	W	H	ML
241	68	40.5	226mm
9.5	2.68	1.6	8.9inch



**WARNING:** Always Disconnect Power Before Handling. Case Should be Grounded. Install in Accordance with National and Local Electrical Codes

# LED DRIVER 120W 0-10V Dimming

Output Range 17V to 28V Constant Current **4200mA** Max **120W**  
**IP67**

Universal Voltage 120-277V Electronic Constant Current LED Driver 0-10V Dimming. Output Range of 17V to 28V for Single circuit 120W maximum.

## Technical Specification:

UL, CUL Recognized, ROHS Compliant

EMI FCC Part 15, Class A

Rating: **IP67**

Output Open/Short Protection

Min. Starting Temp: - 40° C

Max. Case Temp: 90° C

Typical Efficiency: 87%

Input Voltage range:  $\pm 10\%$

Output Load range  $\pm 5\%$

Input Frequency: 50/60HZ

THD: < 20%

Power Factor Min: 0.90

Remote Wiring Distance Full Load: 18AWG -18 ft

Case Size: Series FS9

Due to continuing efforts to offer improved products all specifications are subject to change without prior notice

INPUT VOLTAGE	INPUT CURRENT	INPUT WATTS	OUTPUT POWER WATTS MAX	OUTPUT VOLTAGE	OUTPUT CURRENT AMPS	MODEL
120V-277V	1.45A - 0.64A	138	120	17 to 28V	4.2A	<b>NU4200C120WSD-IP67</b>

### LIMITED WARRANTY

5 YEAR at maximum case temperature 75 deg C. 3 YEAR at maximum case temperature 90 deg C. Manufacturer warrants to the purchaser: Product will be free from defects in material or workmanship from the date of manufacture conditioned upon proper storage, installation, use, and maintenance and conformance with any recommendations of Manufacturer

### Lead Length

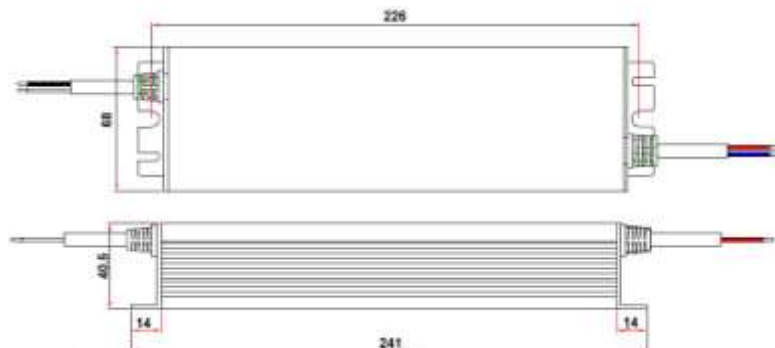
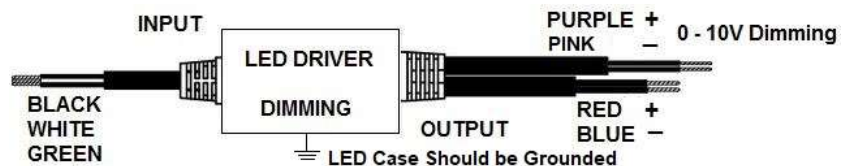
Colour	inc	cm
Black	6	15.2
White	6	15.2
Blue	6	15.2
Red	6	15.2
Pink	7.1	18
Purple	7.1	18

### 0-10V Dimmer Compatibility Chart

LUTRON	LEVITON
NFTV	DS710-10Z
DVTV-WH	

### Case Size Series FS9

L	W	H	ML
241	68	40.5	226mm
9.5	2.68	1.6	8.9inch



**WARNING:** Always Disconnect Power Before Handling. Case Should be Grounded. Install in Accordance with National and Local Electrical Codes

901 - 3rd Street West, North Vancouver, BC V7P 3P9 Canada

TEL: 604-904-9533

www.sagedrivers.com www.sagelighting.com

*Sage  
Lighting Ltd.*

# LED DRIVER 150W 0-10V Dimming

Output Range 22V to 36V Constant Current **4200mA** Max **150W**  
**IP67**

Universal Voltage 120-277V Electronic Constant Current LED Driver 0-10V Dimming. Output Range of 22V to 36V for Single circuit 150W maximum.

## Technical Specification:

UL, CUL Recognized, ROHS Compliant

EMI FCC Part 15, Class A

Rating: **IP67**

Output Open/Short Protection

Min. Starting Temp: - 40° C

Max. Case Temp: 90° C

Typical Efficiency: 89%

Input Voltage range:  $\pm 10\%$

Output Load range  $\pm 5\%$

Input Frequency: 50/60HZ

THD: < 20%

Power Factor Min: 0.90

Remote Wiring Distance Full Load: 18AWG -18 ft

Case Size: Series FS9

Due to continuing efforts to offer improved products all specifications are subject to change without prior notice

INPUT VOLTAGE	INPUT CURRENT	INPUT WATTS	OUTPUT POWER WATTS MAX	OUTPUT VOLTAGE	OUTPUT CURRENT AMPS	MODEL
120V-277V	1.45A - 0.64A	170	150	22 to 36V	4.2A	<b>NU4200C150WSD-IP67</b>

### LIMITED WARRANTY

5 YEAR at maximum case temperature 75 deg C. 3 YEAR at maximum case temperature 90 deg C. Manufacturer warrants to the purchaser: Product will be free from defects in material or workmanship from the date of manufacture conditioned upon proper storage, installation, use, and maintenance and conformance with any recommendations of Manufacturer

### Lead Length

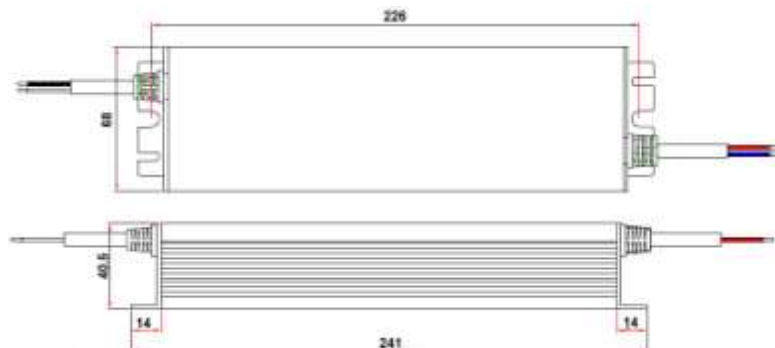
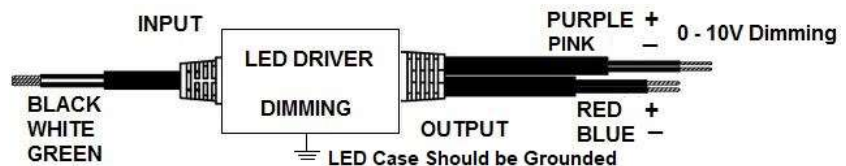
Colour	inc	cm
Black	6	15.2
White	6	15.2
Blue	6	15.2
Red	6	15.2
Pink	7.1	18
Purple	7.1	18

### 0-10V Dimmer Compatibility Chart

LUTRON	LEVITON
NFTV	DS710-10Z
DVTV-WH	

### Case Size Series FS9

L	W	H	ML
241	68	40.5	226mm
9.5	2.68	1.6	8.9inch



**WARNING:** Always Disconnect Power Before Handling. Case Should be Grounded. Install in Accordance with National and Local Electrical Codes

901 - 3rd Street West, North Vancouver, BC V7P 3P9 Canada

TEL: 604-904-9533

www.sagedrivers.com www.sagelighting.com

*Sage  
Lighting Ltd.*

# LED DRIVER 120W 0-10V Dimming

Output Range 14V to 24V Constant Current **5000mA** Max **120W**  
**IP67**

Universal Voltage 120-277V Electronic Constant Current LED Driver 0-10V Dimming. Output Range of 14V to 24V for Single circuit 120W maximum.

## Technical Specification:

UL, CUL Recognized, ROHS Compliant

EMI FCC Part 15, Class A

Rating: **IP67**

Output Open/Short Protection

Min. Starting Temp: - 40° C

Max. Case Temp: 90° C

Typical Efficiency: 88%

Input Voltage range:  $\pm 10\%$

Output Load range  $\pm 5\%$

Input Frequency: 50/60HZ

THD: < 20%

Power Factor Min: 0.90

Remote Wiring Distance Full Load: 18AWG -18 ft

Case Size: Series FS8

Due to continuing efforts to offer improved products all specifications are subject to change without prior notice

INPUT VOLTAGE	INPUT CURRENT AMPS	INPUT POWER WATTS	OUTPUT POWER WATTS	OUTPUT VOLTAGE	OUTPUT CURRENT AMPS	MODEL
120	2.23A	136	120	14 to 24V	5A	<b>NU5000C120WSD-IP67</b>
277	0.96A					

### LIMITED WARRANTY

5 YEAR at maximum case temperature 75 deg C. 3 YEAR at maximum case temperature 90 deg C. Manufacturer warrants to the purchaser: Product will be free from defects in material or workmanship from the date of manufacture conditioned upon proper storage, installation, use, and maintenance and conformance with any recommendations of Manufacturer

### Lead Length

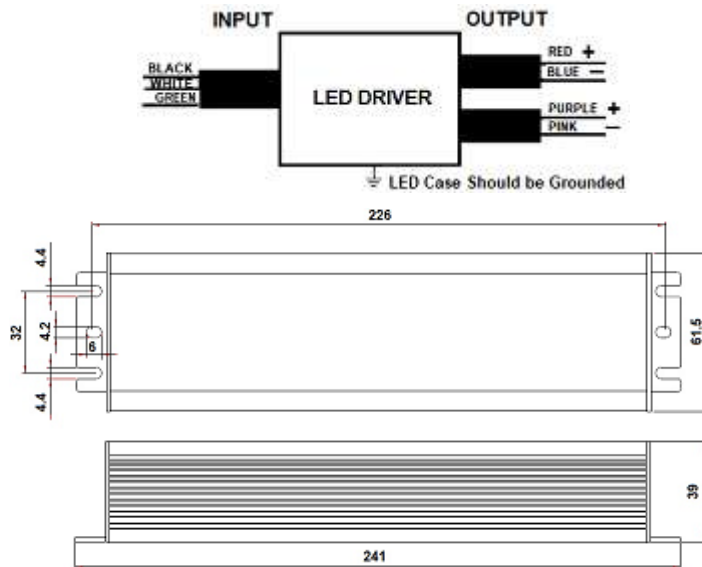
Colour	inc	cm
Black	6	15.2
White	6	15.2
Blue	6	15.2
Red	6	15.2
Pink	7.1	18
Purple	7.1	18

### 0-10V Dimmer Compatibility Chart

LUTRON	LEVITON
NFTV	DS710-10Z
DVTV-WH	

### Case Size Series FS8

L	W	H	ML
241	61.5	39	226mm
9.5	2.42	1.54	8.9inch



**WARNING:** Always Disconnect Power Before Handling. Case Should be Grounded. Install in Accordance with National and Local Electrical Codes

901 - 3rd Street West, North Vancouver, BC V7P 3P9 Canada

TEL: 604-904-9533

www.sagedrivers.com www.sagelighting.com

*Sage  
Lighting Ltd.*



# LED DRIVER 150W 0-10V Dimming

Output Range 18V to 30V Constant Current **5000mA** Max **150W**  
**IP67**

Universal Voltage 120-277V Electronic Constant Current LED Driver 0-10V Dimming. Output Range of 18V to 30V for Single circuit 150W maximum.

## Technical Specification:

UL, CUL Recognized, ROHS Compliant

EMI FCC Part 15, Class A

Rating: **IP67**

Output Open/Short Protection

Min. Starting Temp: - 40° C

Max. Case Temp: 90° C

Typical Efficiency: 87%

Input Voltage range:  $\pm 10\%$

Output Load range  $\pm 5\%$

Input Frequency: 50/60HZ

THD: < 20%

Power Factor Min: 0.90

Remote Wiring Distance Full Load: 18AWG -18 ft

**Case Size: Series FS9**

Due to continuing efforts to offer improved products all specifications are subject to change without prior notice

INPUT VOLTAGE	INPUT CURRENT AMPS	INPUT POWER WATTS	OUTPUT POWER WATTS	OUTPUT VOLTAGE	OUTPUT CURRENT AMPS	MODEL
120	2.23A	172	150	18 to 30V	5A	<b>NU5000C150WSD-IP67</b>
277	0.96A					

### LIMITED WARRANTY

5 YEAR at maximum case temperature 75 deg C. 3 YEAR at maximum case temperature 90 deg C. Manufacturer warrants to the purchaser: Product will be free from defects in material or workmanship from the date of manufacture conditioned upon proper storage, installation, use, and maintenance and conformance with any recommendations of Manufacturer

### Lead Length

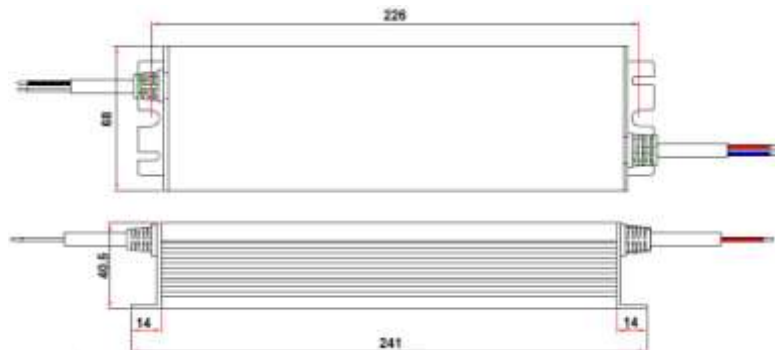
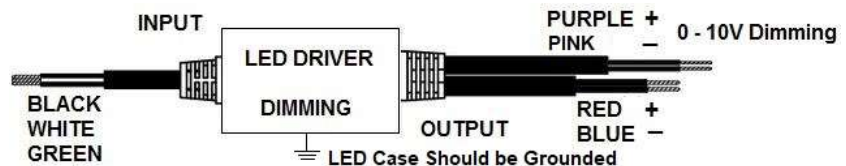
Colour	inc	cm
Black	6	15.2
White	6	15.2
Blue	6	15.2
Red	6	15.2
Pink	7.1	18
Purple	7.1	18

### 0-10V Dimmer Compatibility Chart

LUTRON	LEVITON
NFTV	DS710-10Z
DVTV-WH	

### Case Size Series FS9

L	W	H	ML
241	68	40.5	226mm
9.5	2.68	1.6	8.9inch



**WARNING:** Always Disconnect Power Before Handling. Case Should be Grounded. Install in Accordance with National and Local Electrical Codes

901 - 3rd Street West, North Vancouver, BC V7P 3P9 Canada

TEL: 604-904-9533

www.sagedrivers.com www.sagelighting.com

*Sage  
Lighting Ltd.*



# LED DRIVER 100W - IP67

Output Range 172V to 286V Constant Current 350mA Max 100W  
IP67

Universal Voltage 120-277V Electronic Constant Current LED Driver. Output Range of 172V to 286V for Single Output circuit 100W maximum.

## Technical Specification:

UL, CUL Recognized, ROHS Compliant  
EMI FCC Part 15, Class A  
Rating: **IP67**  
Output Open/Short Protection  
Min. Starting Temp: - 40° C  
Max. Case Temp: 90° C  
Typical Efficiency: 91%

Input Voltage range:  $\pm 10\%$   
Output Load range:  $\pm 5\%$   
Input Frequency: 50/60HZ  
THD: < 20%  
Power Factor Min: 0.9  
Remote Wiring Distance Full Load: 18AWG -18 ft

Case Size: Series FS9

Due to continuing efforts to offer improved products all specifications are subject to change without prior notice

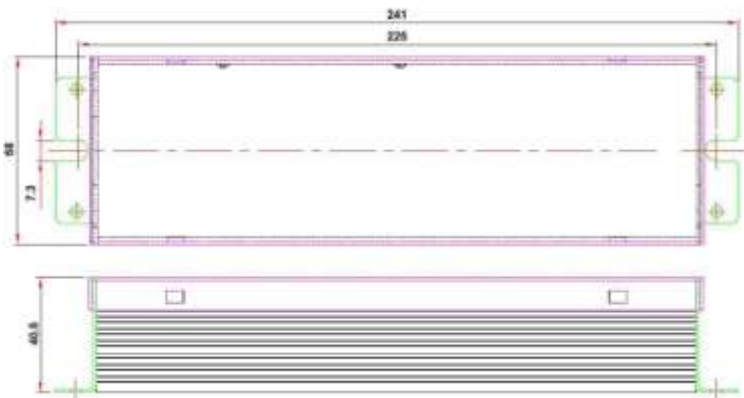
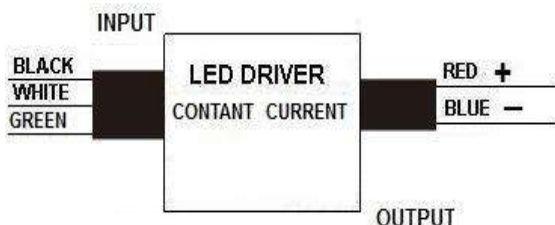
INPUT VOLTAGE	INPUT CURRENT	INPUT WATTS	OUTPUT POWER WATTS MAX	OUTPUT VOLTAGE	OUTPUT CURRENT AMPS	MODEL
120	1.78A	110	100	172 to 286V	0.35A	NU350C100WS-IP67
277	0.78A					

### LIMITED WARRANTY

5 YEAR at maximum case temperature 75 deg C. 3 YEAR at maximum case temperature 90 deg C. Manufacturer warrants to the purchaser: Product will be free from defects in material or workmanship from the date of manufacture conditioned upon proper storage, installation, use, and maintenance and conformance with any recommendations of Manufacturer

### Lead Length

Colour	inch	cm
Black	5.9	15
White	5.9	15
Blue	5.9	15
Red	5.9	15



**WARNING: Always Disconnect Power Before Handling.**  
Case Should be Grounded. Install in Accordance with National and Local Electrical Codes.

Case Size:	L	W	H	ML
Series FS9	241mm	68mm	40.5mm	226mm
	9.5inch	2.68inch	1.6inch	8.9inch

# LED DRIVER Single Output Circuit

Output Range 24V to 40V Constant Current **1100mA** Max **44W**  
**IP67 Compact Case**

Universal Voltage 120-277V Electronic Constant Current LED Driver. Output Range of 24V to 40V for Single circuit 44W maximum.

## Technical Specification:

Class 2 UL, CUL Recognized, ROHS Compliant

EMI FCC Part 15, Class A

Rating: **IP67**

Output Open/Short Protection

Min. Starting Temp: - 40° C

Max. Case Temp: 90° C

Typical Efficiency: 86%

Input Voltage range:  $\pm 10\%$

Output Load range  $\pm 5\%$

Input Frequency: 50/60HZ

THD: < 20%

Power Factor Min: 0.90

Remote Wiring Distance Full Load: 18AWG -18 ft

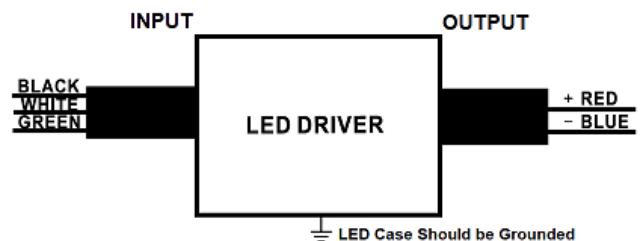
**Case Size: Series C9U**

Due to continuing efforts to offer improved products all specifications are subject to change without prior notice

INPUT VOLTAGE	INPUT CURRENT	INPUT WATTS	OUTPUT POWER WATTS MAX	OUTPUT VOLTAGE	OUTPUT CURRENT AMPS	MODEL
120	0.6A	51	44	24 to 40V	1.1A	<b>NU1100C44WS-IP67</b>
277	0.26A					

### LIMITED WARRANTY

5 YEAR at maximum case temperature 75 deg C. 3 YEAR at maximum case temperature 90 deg C. Manufacturer warrants to the purchaser: Product will be free from defects in material or workmanship from the date of manufacture conditioned upon proper storage, installation, use, and maintenance and conformance with any recommendations of Manufacturer



**WARNING:** Always Disconnect Power Before Handling. Case Should be Grounded. Install in Accordance with National and Local Electrical Codes

Case Size Series C9U

L	W	H	ML
171	68	40.5	158mm
6.73	2.68	1.6	6.22inch

Lead Length

Colour	inch	cm
Black	6	15.2
White	6	15.2
Blue	6	15.2
Red	6	15.2

# LED DRIVER Single Output Circuit

Output Range 22V to 36V Constant Current **1500mA** Max **54W**  
**IP67 Compact Case**

Universal Voltage 120-277V Electronic Constant Current LED Driver. Output Range of 22V to 36V for Single circuit 54W maximum.

## Technical Specification:

Class 2 UL, CUL Recognized, ROHS Compliant  
 EMI FCC Part 15, Class A  
 Rating: **IP67**  
 Output Open/Short Protection  
 Min. Starting Temp: - 40° C  
 Max. Case Temp: 90° C  
 Typical Efficiency: 87%

Input Voltage range:  $\pm 10\%$   
 Output Load range:  $\pm 5\%$   
 Input Frequency: 50/60HZ  
 THD: < 20%  
 Power Factor Min: 0.90  
 Remote Wiring Distance Full Load: 18AWG -18 ft

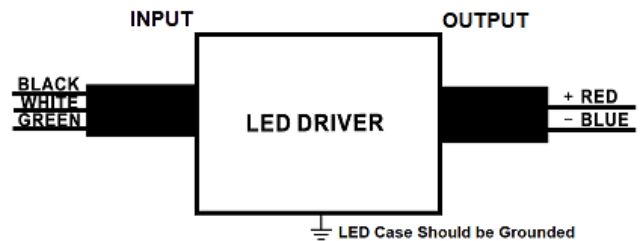
Case Size: Series C9U

Due to continuing efforts to offer improved products all specifications are subject to change without prior notice

INPUT VOLTAGE	INPUT CURRENT	INPUT WATTS	OUTPUT POWER WATTS MAX	OUTPUT VOLTAGE	OUTPUT CURRENT AMPS	MODEL
120	0.6A	62	54	22 to 36V	1.5A	<b>NU1500C54WS-IP67</b>
277	0.26A					

### LIMITED WARRANTY

5 YEAR at maximum case temperature 75 deg C. 3 YEAR at maximum case temperature 90 deg C. Manufacturer warrants to the purchaser: Product will be free from defects in material or workmanship from the date of manufacture conditioned upon proper storage, installation, use, and maintenance and conformance with any recommendations of Manufacturer



**WARNING:** Always Disconnect Power Before Handling. Case Should be Grounded. Install in Accordance with National and Local Electrical Codes

Case Size Series C9U

L	W	H	ML
171	68	40.5	158mm
6.73	2.68	1.6	6.22inch

Lead Length

Colour	inch	cm
Black	6	15.2
White	6	15.2
Blue	6	15.2
Red	6	15.2

# LED DRIVER Single Output Circuit

Output Range 25V to 42V Constant Current **1500mA** Max **63W**  
**IP67 Compact Case**

Universal Voltage 120-277V Electronic Constant Current LED Driver. Output Range of 25V to 42V for Single circuit 63W maximum.

## Technical Specification:

Class 2 UL, CUL Recognized, ROHS Compliant  
 EMI FCC Part 15, Class A

Rating: **IP67**

Output Open/Short Protection

Min. Starting Temp: - 40° C

Max. Case Temp: 90° C

Typical Efficiency: 86%

Input Voltage range:  $\pm 10\%$   
 Output Load range:  $\pm 5\%$   
 Input Frequency: 50/60HZ  
 THD: < 20%  
 Power Factor Min: 0.90  
 Remote Wiring Distance Full Load: 18AWG -18 ft

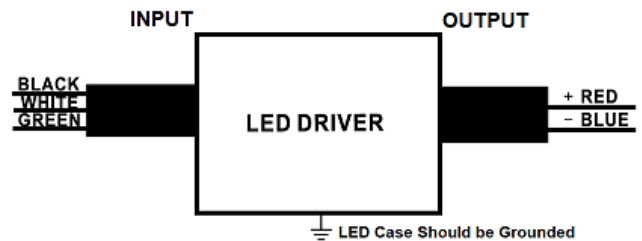
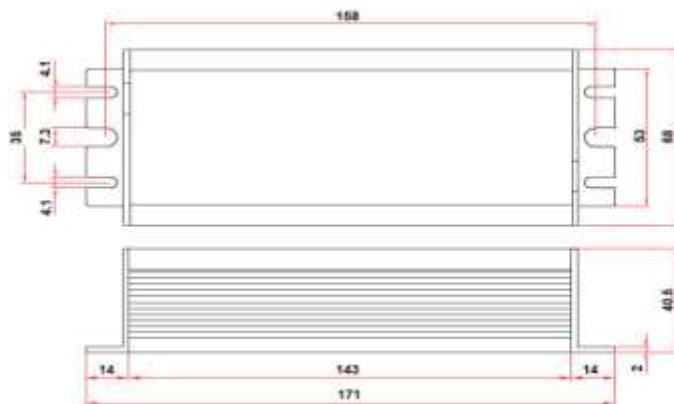
Case Size: Series C9U

Due to continuing efforts to offer improved products all specifications are subject to change without prior notice

INPUT VOLTAGE	INPUT CURRENT	INPUT WATTS	OUTPUT POWER WATTS MAX	OUTPUT VOLTAGE	OUTPUT CURRENT AMPS	MODEL
120	0.6A	73	63	25 to 42V	1.5A	<b>NU1500C63WS-IP67</b>
277	0.26A					

### LIMITED WARRANTY

5 YEAR at maximum case temperature 75 deg C. 3 YEAR at maximum case temperature 90 deg C. Manufacturer warrants to the purchaser: Product will be free from defects in material or workmanship from the date of manufacture conditioned upon proper storage, installation, use, and maintenance and conformance with any recommendations of Manufacturer



**WARNING:** Always Disconnect Power Before Handling. Case Should be Grounded. Install in Accordance with National and Local Electrical Codes

Case Size Series C9U

L	W	H	ML
171	68	40.5	158mm
6.73	2.68	1.6	6.22inch

Lead Length

Colour	inch	cm
Black	6	15.2
White	6	15.2
Blue	6	15.2
Red	6	15.2

# Sage

## Dimming & Non- Dimming

**IP67**

**347V LED Drivers**  
**Constant Voltage**

Sage offers 120 to 277V Dimmable and non-Dimmable Constant Voltage LED Drivers and continuously design to specification a wide variety of Custom drivers with multiple output values. These drivers provide flexibility for the Fixture Manufacturers to offer wide range of luminaires.

It is also easy to combine into common dimming systems accessible in commercial applications.





# 347V LED DRIVER 60W 0-10V Dimming

## Low Voltage 12V Output Constant Voltage Max 60W

### IP67

347V input Electronic LED Driver. 12V output Constant Voltage for Single circuit 60W maximum Dimming Range 10-100%.

### Technical Specification:

Class 2 UL, CUL Recognized, ROHS Compliant  
EMI FCC Part 15, Class A

Rating: **IP67**

Output Open/Short Protection

Min. Starting Temp: - 40° C

Max. Case Temp: 90° C

Typical Efficiency: 88%

Input Voltage range:  $\pm 10\%$

Output Load range:  $\pm 5\%$

Input Frequency: 50/60HZ

THD: < 20%

Power Factor Min: 0.90

Remote Wiring Distance Full Load: 18AWG -18 ft

Surge Protection: 2 KV

**Case Size: Series FS8**

Due to continuing efforts to offer improved products all specifications are subject to change without prior notice

INPUT VOLTAGE	INPUT CURRENT	INPUT WATTS	OUTPUT POWER WATTS MAX	OUTPUT VOLTAGE	OUTPUT CURRENT AMPS	MODEL
347	0.20A	71	60	12V	0.5-5A	NC12V60WSD-IP67

#### LIMITED WARRANTY

5 YEAR at maximum case temperature 75 deg C. 3 YEAR at maximum case temperature 90 deg C. Manufacturer warrants to the purchaser: Product will be free from defects in material or workmanship from the date of manufacture conditioned upon proper storage, installation, use, and maintenance and conformance with any recommendations of Manufacturer

#### Lead Length

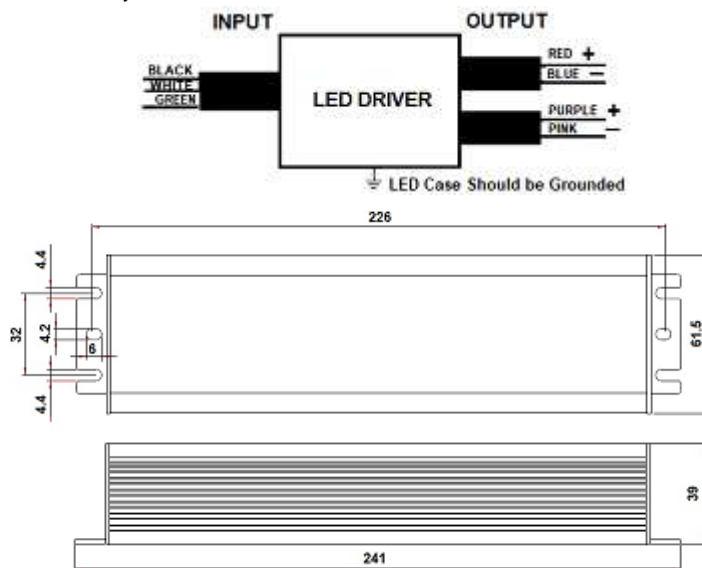
Colour	inc	cm
Black	6	15.2
White	6	15.2
Blue	6	15.2
Red	6	15.2
Pink	7.1	18
Purple	7.1	18

#### 0-10V Dimmer Compatibility Chart

LUTRON	LEVITON
NFTV	DS710-10Z
DVTV-WH	

#### Case Size Series FS8

L	W	H	ML
241	61.5	39	226mm
9.5	2.42	1.54	8.9inch



**WARNING:** Always Disconnect Power Before Handling. Case Should be Grounded. Install in Accordance with National and Local Electrical Codes

# 347V LED DRIVER Single Output Circuit

## Low Voltage 12V Output Constant Voltage Max **60W**

### IP67

Electronic Universal Voltage 347V input LED Driver. 12V output Constant Voltage for Single circuit 60W maximum.

### Technical Specification:

Class 2 UL, CUL Recognized, ROHS Compliant  
 EMI FCC Part 15, Class A  
 Rating: **IP67**  
 Output Open/Short Protection  
 Min. Starting Temp: - 40° C  
 Max. Case Temp: 90° C  
 Efficiency: 87%

Input Voltage range:  $\pm 10\%$   
 Output Load range:  $\pm 5\%$   
 Input Frequency: 50/60HZ  
 THD: < 20%  
 Power Factor Min: 0.90  
 Remote Wiring Distance Full Load: 18AWG -18 ft Typical

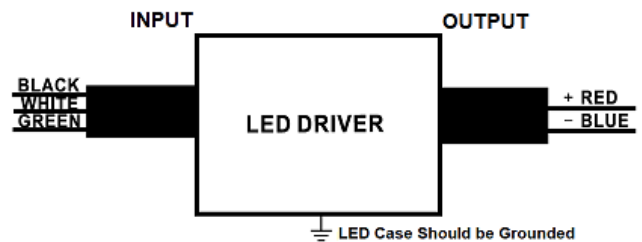
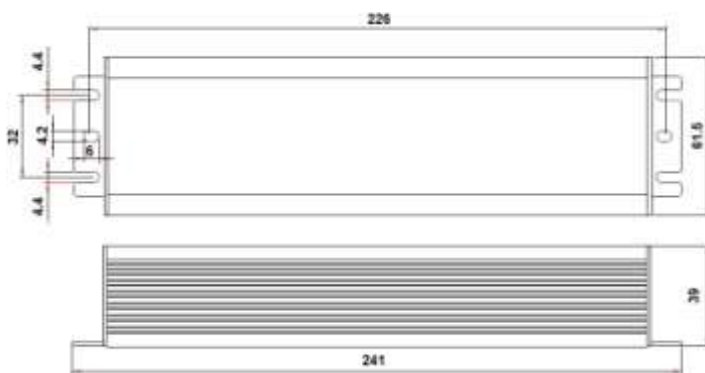
Case Size: Series FS8

Due to continuing efforts to offer improved products all specifications are subject to change without prior notice

INPUT VOLTAGE	INPUT CURRENT	INPUT WATTS	OUTPUT POWER WATTS MAX	OUTPUT VOLTAGE	OUTPUT CURRENT AMPS	MODEL
347	0.2	71	60	12V	5A	<b>NC12V60WS-IP67</b>

#### LIMITED WARRANTY

5 YEAR at maximum case temperature 75 deg C. 3 YEAR at maximum case temperature 90 deg C. Manufacturer warrants to the purchaser: Product will be free from defects in material or workmanship from the date of manufacture conditioned upon proper storage, installation, use, and maintenance and conformance with any recommendations of Manufacturer



**WARNING:** Always Disconnect Power Before Handling. Case Should be Grounded. Install in Accordance with National and Local Electrical Codes

L	W	H	ML
241	61	39	226mm
9.5	2.4	1.54	8.9inch

Colour	inch	cm
Black	6	15.2
White	6	15.2
Blue	6	15.2
Red	6	15.2

# 347V LED DRIVER 100W 0-10V Dimming

## Low Voltage 12V Output Constant Voltage Max 100W

### IP67

347V input Electronic LED Driver. 12V output Constant Voltage for Single circuit 100W maximum. Dimming Range 10-100%.

### Technical Specification:

Class 2 UL, CUL Recognized, ROHS Compliant  
 EMI FCC Part 15, Class A  
 Rating: **IP67**  
 Output Open/Short Protection  
 Min. Starting Temp: - 40° C  
 Max. Case Temp: 90° C  
 Typical Efficiency: 89%

Input Voltage range:  $\pm 10\%$   
 Output Load range:  $\pm 5\%$   
 Input Frequency: 50/60HZ  
 THD: < 20%  
 Power Factor Min: 0.9  
 Remote Wiring Distance Full Load: 18AWG -18 ft  
 Surge Protection: 2KV

Case Size: Series FS8

Due to continuing efforts to offer improved products all specifications are subject to change without prior notice

INPUT VOLTAGE	INPUT CURRENT	INPUT WATTS	OUTPUT POWER WATTS MAX	OUTPUT VOLTAGE DC CV	OUTPUT CURRENT AMPS	MODEL
347	0.32A	112	100	12	0.8 - 8A	NC12V100WSD-IP67

#### LIMITED WARRANTY

5 YEAR at maximum case temperature 75 deg C. 3 YEAR at maximum case temperature 90 deg C. Manufacturer warrants to the purchaser: Product will be free from defects in material or workmanship from the date of manufacture conditioned upon proper storage, installation, use, and maintenance and conformance with any recommendations of Manufacturer

#### Lead Length

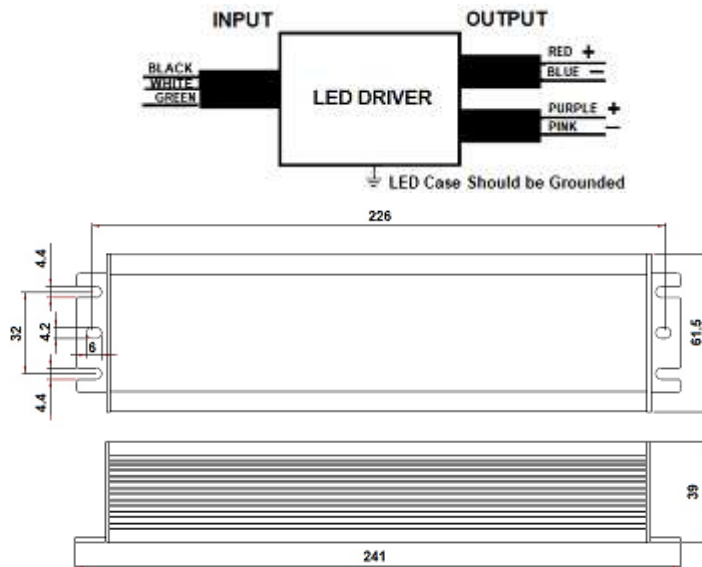
Colour	inc	cm
Black	6	15.2
White	6	15.2
Blue	6	15.2
Red	6	15.2
Pink	7.1	18
Purple	7.1	18

#### 0-10V Dimmer Compatibility Chart

LUTRON	LEVITON
NFTV	DS710-10Z
DVTV-WH	

#### Case Size Series FS8

L	W	H	ML
241	61.5	39	226mm
9.5	2.42	1.54	8.9inch



**WARNING:** Always Disconnect Power Before Handling. Case Should be Grounded. Install in Accordance with National and Local Electrical Codes

# 347V LED DRIVER 60W 0-10V Dimming

## Low Voltage 24V Output Constant Voltage Max 60W

### IP67

347V input Electronic LED Driver. 24V output Constant Voltage for Single circuit 60W maximum Dimming Range 10-100%.

### Technical Specification:

Class 2 UL, CUL Recognized, ROHS Compliant  
 EMI FCC Part 15, Class A  
 Rating: **IP67**  
 Output Open/Short Protection  
 Min. Starting Temp: - 40° C  
 Max. Case Temp: 90° C  
 Typical Efficiency: 89%

Input Voltage range:  $\pm 10\%$   
 Output Load range:  $\pm 5\%$   
 Input Frequency: 50/60HZ  
 THD: < 20%  
 Power Factor Min: 0.9  
 Remote Wiring Distance Full Load: 18AWG -18 ft  
 Surge Protection: 2 KV

**Case Size: Series FS8**

Due to continuing efforts to offer improved products all specifications are subject to change without prior notice

INPUT VOLTAGE	INPUT CURRENT	INPUT WATTS	OUTPUT POWER WATTS MAX	OUTPUT VOLTAGE	OUTPUT CURRENT DC AMPS	MODEL
347	0.20A	71	60	24V	0.25-2.5A	NC24V60WSD-IP67

#### LIMITED WARRANTY

5 YEAR at maximum case temperature 75 deg C. 3 YEAR at maximum case temperature 90 deg C. Manufacturer warrants to the purchaser: Product will be free from defects in material or workmanship from the date of manufacture conditioned upon proper storage, installation, use, and maintenance and conformance with any recommendations of Manufacturer

#### Lead Length

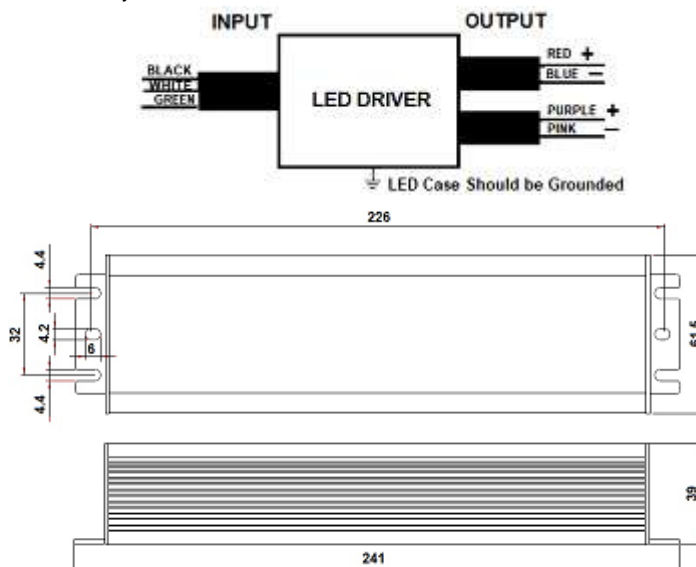
Colour	inc	cm
Black	6	15.2
White	6	15.2
Blue	6	15.2
Red	6	15.2
Pink	7.1	18
Purple	7.1	18

#### 0-10V Dimmer Compatibility Chart

LUTRON	LEVITON
NFTV	DS710-10Z
DVTV-WH	

#### Case Size Series FS8

L	W	H	ML
241	61.5	39	226mm
9.5	2.42	1.54	8.9inch



**WARNING:** Always Disconnect Power Before Handling. Case Should be Grounded. Install in Accordance with National and Local Electrical Codes

# 347V LED DRIVER 100W 0-10V Dimming

## Low Voltage 24V Output Constant Voltage Max 100W

### IP67

347V input Electronic LED Driver. 24V output Constant Voltage for Single circuit 100W maximum. Dimming Range 10-100%.

### Technical Specification:

Class 2 UL, CUL Recognized, ROHS Compliant  
 EMI FCC Part 15, Class A  
 Rating: **IP67**  
 Output Open/Short Protection  
 Min. Starting Temp: - 40° C  
 Max. Case Temp: 90° C  
 Typical Efficiency: 88%

Input Voltage range:  $\pm 10\%$   
 Output Load range:  $\pm 5\%$   
 Input Frequency: 50/60HZ  
 THD: < 20%  
 Power Factor Min: 0.90  
 Remote Wiring Distance Full Load: 18AWG -18 ft  
 Surge Protection: 2 KV

Case Size: Series FS8

Due to continuing efforts to offer improved products all specifications are subject to change without prior notice

INPUT VOLTAGE	INPUT CURRENT	INPUT WATTS	OUTPUT POWER WATTS	OUTPUT VOLTAGE	OUTPUT CURRENT DC AMPS	MODEL
347	0.32A	113	100	24V	0.41 - 4.1A	<b>NC24V100WSD-IP67</b>

#### LIMITED WARRANTY

5 YEAR at maximum case temperature 75 deg C. 3 YEAR at maximum case temperature 90 deg C. Manufacturer warrants to the purchaser: Product will be free from defects in material or workmanship from the date of manufacture conditioned upon proper storage, installation, use, and maintenance and conformance with any recommendations of Manufacturer

#### Lead Length

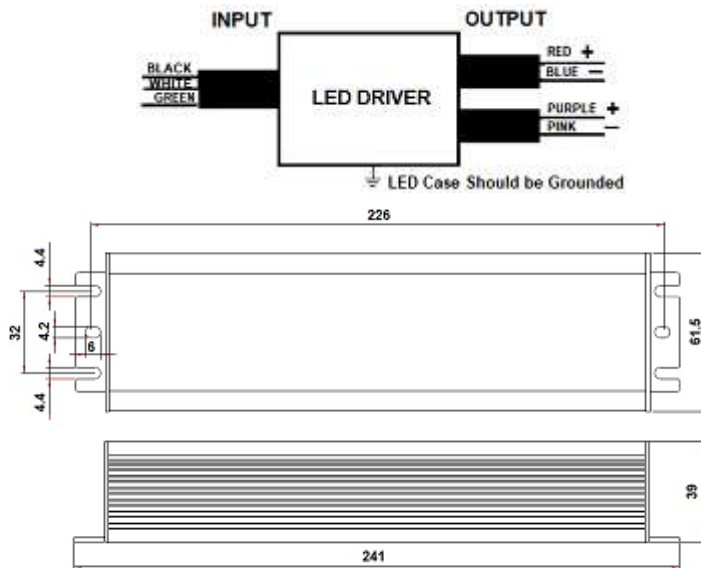
Colour	inc	cm
Black	6	15.2
White	6	15.2
Blue	6	15.2
Red	6	15.2
Pink	7.1	18
Purple	7.1	18

#### 0-10V Dimmer Compatibility Chart

LUTRON	LEVITON
NFTV	DS710-10Z
DVTV-WH	

#### Case Size Series FS8

L	W	H	ML
241	61.5	39	226mm
9.5	2.42	1.54	8.9inch



**WARNING:** Always Disconnect Power Before Handling. Case Should be Grounded. Install in Accordance with National and Local Electrical Codes

# 347V LED DRIVER 100W Single Output Circuit

## Low Voltage 24V Output Constant Voltage Max **100W**

### IP67

347V input Electronic LED Driver. 24V output Constant Voltage for Single circuit 100W maximum.

### Technical Specification:

Class 2 UL, CUL Recognized, ROHS Compliant  
 EMI FCC Part 15, Class A  
 Rating: **IP67**  
 Output Open/Short Protection  
 Min. Starting Temp: - 40° C  
 Max. Case Temp: 90° C  
 Typical Efficiency: 88%

Input Voltage range:  $\pm 10\%$   
 Output Load range  $\pm 5\%$   
 Input Frequency: 50/60HZ  
 THD: < 20%  
 Power Factor Min: 0.90  
 Remote Wiring Distance Full Load: 18AWG -18 ft  
 Surge Protection: 2 KV

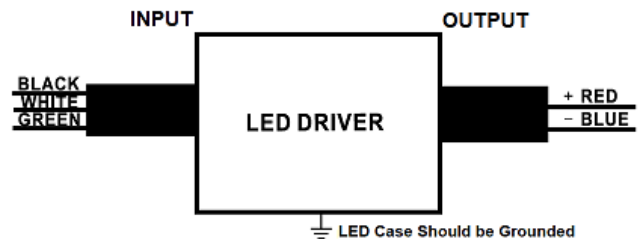
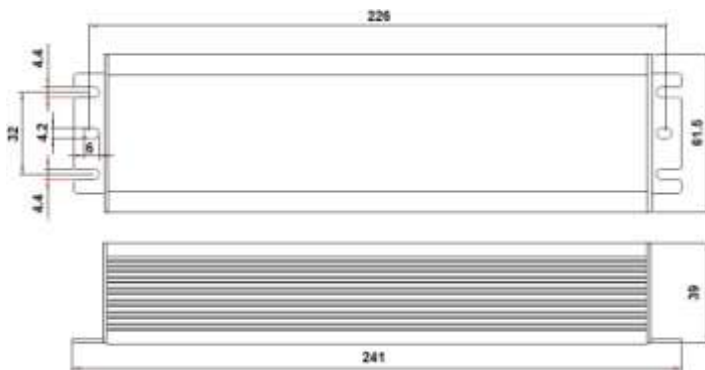
Case Size: Series FS8

Due to continuing efforts to offer improved products all specifications are subject to change without prior notice

INPUT VOLTAGE	INPUT CURRENT	INPUT WATTS	OUTPUT POWER WATTS MAX	OUTPUT VOLTAGE DC CV	OUTPUT CURRENT DC AMPS	MODEL
347	0.32A	113	100	24	4.1A	<b>NC24V100WS-IP67</b>

#### LIMITED WARRANTY

5 YEAR at maximum case temperature 75 deg C. 3 YEAR at maximum case temperature 90 deg C. Manufacturer warrants to the purchaser: Product will be free from defects in material or workmanship from the date of manufacture conditioned upon proper storage, installation, use, and maintenance and conformance with any recommendations of Manufacturer



**WARNING:** Always Disconnect Power Before Handling. Case Should be Grounded. Install in Accordance with National and Local Electrical Codes

L	W	H	ML
241	61	39	226mm
9.5	2.4	1.54	8.9inch

Colour	inch	cm
Black	6	15.2
White	6	15.2
Blue	6	15.2
Red	6	15.2

# 347V LED DRIVER 60W 0-10V Dimming

## Low Voltage 36V Output Constant Voltage Max 60W

### IP67

347V input Electronic LED Driver. 36V output Constant Voltage for Single circuit 60W maximum Dimming Range 10-100%.

### Technical Specification:

Class 2 UL, CUL Recognized, ROHS Compliant  
 EMI FCC Part 15, Class A  
 Rating: **IP67**  
 Output Open/Short Protection  
 Min. Starting Temp: -40° C  
 Max. Case Temp: 90° C  
 Typical Efficiency: 88%

Input Voltage range:  $\pm 10\%$   
 Output Load range:  $\pm 5\%$   
 Input Frequency: 50/60HZ  
 THD: < 20%  
 Power Factor Min: 0.90  
 Remote Wiring Distance Full Load: 18AWG -18 ft  
 Surge Protection: 2 KV

**Case Size: Series FS8**

Due to continuing efforts to offer improved products all specifications are subject to change without prior notice

INPUT VOLTAGE	INPUT CURRENT	INPUT WATTS	OUTPUT POWER WATTS MAX	OUTPUT VOLTAGE	OUTPUT CURRENT AMPS	MODEL
347	0.20A	71	60	36V	0.16-1.66A	<b>NC36V60WSD-IP67</b>

#### LIMITED WARRANTY

5 YEAR at maximum case temperature 75 deg C. 3 YEAR at maximum case temperature 90 deg C. Manufacturer warrants to the purchaser: Product will be free from defects in material or workmanship from the date of manufacture conditioned upon proper storage, installation, use, and maintenance and conformance with any recommendations of Manufacturer

#### Lead Length

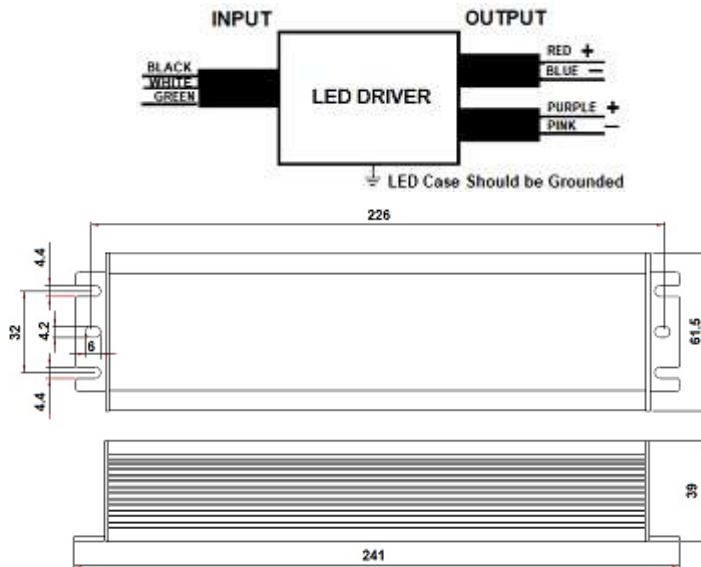
Colour	inc	cm
Black	6	15.2
White	6	15.2
Blue	6	15.2
Red	6	15.2
Pink	7.1	18
Purple	7.1	18

#### 0-10V Dimmer Compatibility Chart

LUTRON	LEVITON
NFTV	DS710-10Z
DVTV-WH	

#### Case Size Series FS8

L	W	H	ML
241	61.5	39	226mm
9.5	2.42	1.54	8.9inch



**WARNING:** Always Disconnect Power Before Handling. Case Should be Grounded. Install in Accordance with National and Local Electrical Codes





# **Sage**

## **Dimming & Non- Dimming**

**IP67**

**120-277V**

**LED Drivers**

**Constant Voltage**

Sage offers 120 to 277V Dimmable and non-Dimmable Constant Voltage LED Drivers and continuously design to specification a wide variety of Custom drivers with multiple output values. These drivers provide flexibility for the Fixture Manufacturers to offer wide range of luminaires.

It is also easy to combine into common dimming systems accessible in commercial applications.



# LED DRIVER 100W 0-10V Dimming

Low Voltage 12V Output Constant Voltage Max **100W**  
**IP67**

Electronic Universal Voltage 120V-277V input LED Driver 0-10V Dimming. 12V output Constant Voltage for Single circuit 100W maximum Dimming Range 10-100%.

## Technical Specification:

Class 2 UL, CUL Recognized, ROHS Compliant  
EMI FCC Part 15, Class A

Rating: **IP67**

Output Open/Short Protection

Min. Starting Temp: - 40° C

Max. Case Temp: 90° C

Typical Efficiency: 89%

Input Voltage range: **± 10%**

Output Load range **± 5%**

Input Frequency: **50/60HZ**

THD: **< 20%**

Power Factor Min: **0.90**

Remote Wiring Distance Full Load: **14AWG -18 ft**

Surge Protection: **2 KV**

**Case Size: Series FS8**

Due to continuing efforts to offer improved products all specifications are subject to change without prior notice

1/12/23

INPUT VOLTAGE	INPUT CURRENT	INPUT WATTS	OUTPUT POWER WATTS MAX	OUTPUT VOLTAGE	OUTPUT CURRENT DC AMPS	MODEL
120	0.98A	112	100	12V	0.8 - 8A	<b>NU12V100WSD-IP67</b>
277	0.42A					

### LIMITED WARRANTY

5 YEAR at maximum case temperature 75 deg C. 3 YEAR at maximum case temperature 90 deg C. Manufacturer warrants to the purchaser: Product will be free from defects in material or workmanship from the date of manufacture conditioned upon proper storage, installation, use, and maintenance and conformance with any recommendations of Manufacturer

### Lead Length

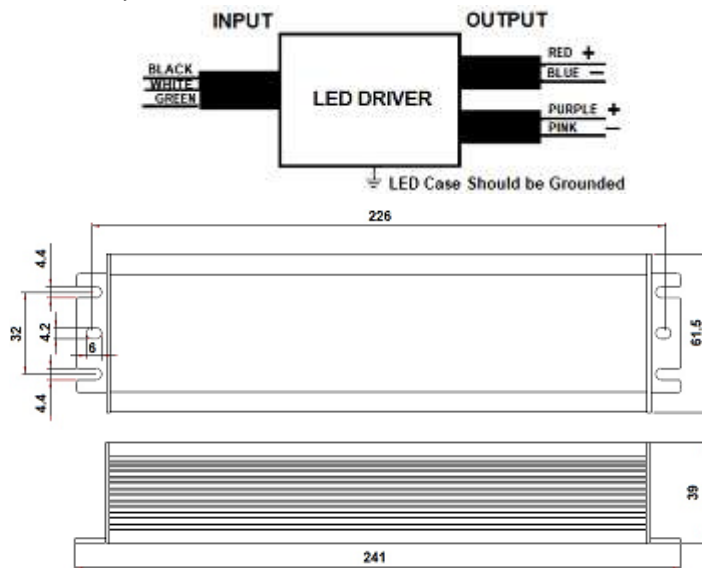
Colour	inc	cm
Black	6	15.2
White	6	15.2
Blue	6	15.2
Red	6	15.2
Pink	7.1	18
Purple	7.1	18

### 0-10V Dimmer Compatibility Chart

LUTRON	LEVITON
NFTV	DS710-10Z
DVTW-WH	

### Case Size Series FS8

L	W	H	ML
241	61.5	39	226mm
9.5	2.42	1.54	8.9inch



**WARNING:** Always Disconnect Power Before Handling. Case Should be Grounded. Install in Accordance with National and Local Electrical Codes

# LED DRIVER 150W 0-10V Dimming

Low Voltage 12V Output Constant Voltage Max **150W**  
**IP67**

Electronic Universal Voltage 120V-277V input LED Driver 0-10V Dimming. 12V output Constant Voltage for Single circuit 150W maximum.

## Technical Specification:

UL, CUL Recognized, ROHS Compliant

EMI FCC Part 15, Class A

Rating: **IP67**

Output Open/Short Protection

Min. Starting Temp: - 40° C

Max. Case Temp: 90° C

Typical Efficiency: 90%

Input Voltage range:  $\pm 10\%$

Output Load range  $\pm 5\%$

Input Frequency: 50/60HZ

THD: < 20%

Power Factor Min: 0.90

Remote Wiring Distance Full Load: 18AWG -18 ft

Surge Protection: 2 KV

Case Size: Series F1

Due to continuing efforts to offer improved products all specifications are subject to change without prior notice

INPUT VOLTAGE	INPUT CURRENT	INPUT WATTS	OUTPUT POWER WATTS MAX	OUTPUT VOLTAGE	OUTPUT CURRENT AMPS	MODEL
120	1.40A	166	150	12V	1.25-12.5A	<b>NU12V150WSD-IP67</b>
277	0.60A					

### LIMITED WARRANTY

5 YEAR at maximum case temperature 75 deg C. 3 YEAR at maximum case temperature 90 deg C. Manufacturer warrants to the purchaser: Product will be free from defects in material or workmanship from the date of manufacture conditioned upon proper storage, installation, use, and maintenance and conformance with any recommendations of Manufacturer

### Lead Length

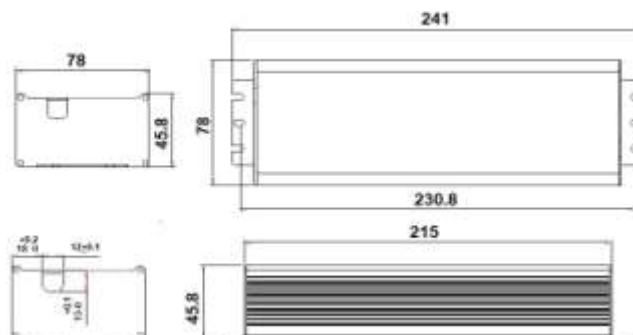
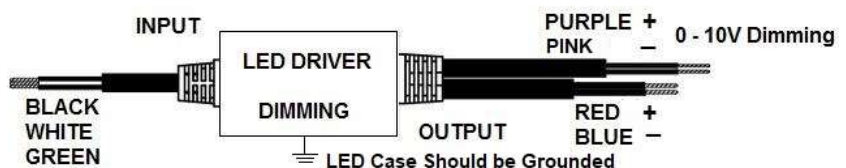
Colour	inc	cm
Black	6	15.2
White	6	15.2
Blue	6	15.2
Red	6	15.2
Pink	7.1	18
Purple	7.1	18

### 0-10V Dimmer Compatibility Chart

LUTRON	LEVITON
NFTV	DS710-10Z
DVTV-WH	

### Case Size Series F1

L	W	H	ML
241	78	46	226mm
9.5	3.08	1.82	8.9inch



**WARNING:** Always Disconnect Power Before Handling. Case Should be Grounded. Install in Accordance with National and Local Electrical Codes

901 - 3rd Street West, North Vancouver, BC V7P 3P9 Canada

TEL: 604-904-9533

www.sagedrivers.com www.sagelighting.com

*Sage  
Lighting Ltd.*

# LED DRIVER 60W 0-10V Dimming IP67

## Low Voltage 24V Output Constant Voltage Max 60W IP67

Electronic Universal Voltage 120V-277V input LED Driver. 24V output Constant Voltage for Single circuit 60W maximum Dimming Range 10-100%.

### Technical Specification:

Class 2 UL, CUL Recognized, ROHS Compliant  
EMI FCC Part 15, Class A

Rating: **IP 67**

Output Open/Short Protection

Min. Starting Temp: - 40° C

Max. Case Temp: 90° C

Typical Efficiency: 85%

Input Voltage range:  $\pm 10\%$

Output Load range  $\pm 5\%$

Input Frequency: 50/60HZ

THD: < 20%

Power Factor Min: 0.90

Remote Wiring Distance Full Load: 18AWG -18 ft

**Case Size: Series FS8**

Due to continuing efforts to offer improved products all specifications are subject to change without prior notice

INPUT VOLTAGE	INPUT CURRENT	INPUT WATTS	OUTPUT POWER WATTS MAX	OUTPUT VOLTAGE	OUTPUT CURRENT DC AMPS	MODEL
120	0.6A	71	60	24V	2.5A	<b>NU24V60WSD-IP67</b>
277	0.26A					

#### LIMITED WARRANTY

5 YEAR at maximum case temperature 75 deg C. 3 YEAR at maximum case temperature 90 deg C. Manufacturer warrants to the purchaser: Product will be free from defects in material or workmanship from the date of manufacture conditioned upon proper storage, installation, use, and maintenance and conformance with any recommendations of Manufacturer

#### Lead Length

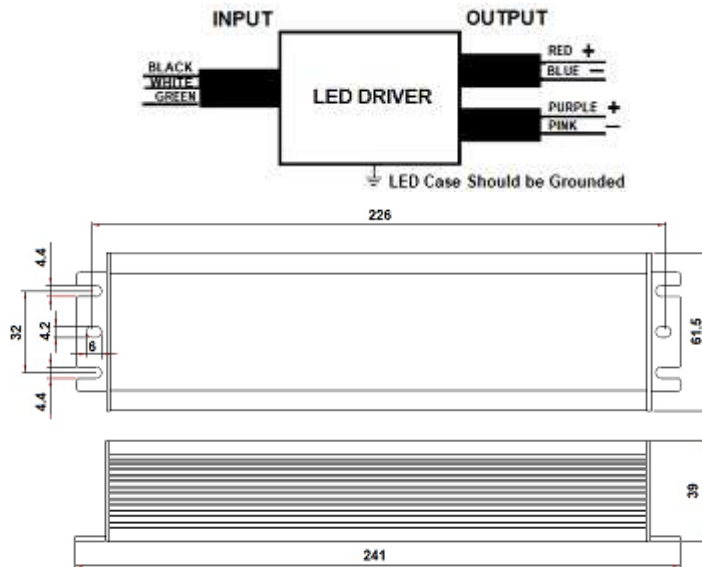
Colour	inc	cm
Black	6	15.2
White	6	15.2
Blue	6	15.2
Red	6	15.2
Pink	7.1	18
Purple	7.1	18

#### 0-10V Dimmer Compatibility Chart

LUTRON	LEVITON
NFTV	DS710-10Z
DVTV-WH	

#### Case Size Series FS8

L	W	H	ML
241	61.5	39	226mm
9.5	2.42	1.54	8.9inch



**WARNING:** Always Disconnect Power Before Handling. Case Should be Grounded. Install in Accordance with National and Local Electrical Codes

# LED DRIVER 100W 0-10V Dimming IP67

## Low Voltage 24V Output Constant Voltage Max 100W IP67

Universal Voltage 120V-277V input Electronic Constant Voltage LED Driver 0-10V Dimming. 24V output Constant Voltage for Single circuit 100W maximum.

### Technical Specification:

Class 2 UL, CUL Recognized, ROHS Compliant  
EMI FCC Part 15, Class A

Rating: **IP 67**

Output Open/Short Protection

Min. Starting Temp: - 40° C

Max. Case Temp: 90° C

Typical Efficiency: 90%

Input Voltage range:  $\pm 10\%$   
Output Load range:  $\pm 5\%$   
Input Frequency: 50/60HZ  
THD: < 20%  
Power Factor Min: 0.90  
Remote Wiring Distance Full Load: 18AWG -18 ft  
Surge Rating: 2 KV

Case Size: Series FS8

Due to continuing efforts to offer improved products all specifications are subject to change without prior notice

INPUT VOLTAGE	INPUT CURRENT	INPUT WATTS	OUTPUT POWER WATTS MAX	OUTPUT VOLTAGE	OUTPUT CURRENT	MODEL
120	0.98A	111	100	24V	0.41 - 4.1A	NU24V100WSD-IP67
277	0.42A					

#### LIMITED WARRANTY

5 YEAR at maximum case temperature 75 deg C. 3 YEAR at maximum case temperature 90 deg C. Manufacturer warrants to the purchaser: Product will be free from defects in material or workmanship from the date of manufacture conditioned upon proper storage, installation, use, and maintenance and conformance with any recommendations of Manufacturer

#### Lead Length

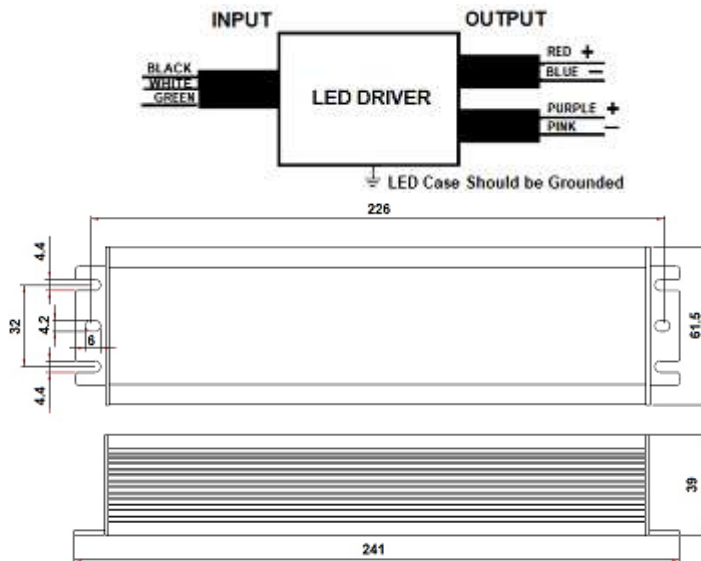
Colour	inc	cm
Black	6	15.2
White	6	15.2
Blue	6	15.2
Red	6	15.2
Pink	7.1	18
Purple	7.1	18

#### 0-10V Dimmer Compatibility Chart

LUTRON	LEVITON
NFTV	DS710-10Z
DVTV-WH	

#### Case Size Series FS8

L	W	H	ML
241	61.5	39	226mm
9.5	2.42	1.54	8.9inch



**WARNING:** Always Disconnect Power Before Handling. Case Should be Grounded. Install in Accordance with National and Local Electrical Codes

# LED DRIVER 120W 0-10V Dimming

## Low Voltage 24V Output Constant Voltage Max 120W IP67

Electronic Universal Voltage 120V-277V input LED Driver 0-10V Dimming. 24V output Constant Voltage for Single circuit 120W maximum Dimming Range 10-100%.

### Technical Specification:

UL, CUL Recognized, ROHS Compliant

EMI FCC Part 15, Class A

Rating: **IP 67**

Output Open/Short Protection

Min. Starting Temp: -40° C

Max. Case Temp: 90° C

Typical Efficiency: 88%

Input Voltage range:  $\pm 10\%$

Output Load range:  $\pm 5\%$

Input Frequency: 50/60HZ

THD: < 10%

Power Factor Min: 0.90

Remote Wiring Distance Full Load: 18AWG -18 ft

Surge Protection: 2 KV

Case Size: Series FS8

Due to continuing efforts to offer improved products all specifications are subject to change without prior notice

INPUT VOLTAGE	INPUT CURRENT	INPUT WATTS	OUTPUT POWER WATTS MAX	OUTPUT VOLTAGE	OUTPUT CURRENT DC AMPS	MODEL
120	1.48A	136	120	24V	0.5-5A	NU24V120WSD-IP67
277	0.62A					

#### LIMITED WARRANTY

5 YEAR at maximum case temperature 75 deg C. 3 YEAR at maximum case temperature 90 deg C. Manufacturer warrants to the purchaser: Product will be free from defects in material or workmanship from the date of manufacture conditioned upon proper storage, installation, use, and maintenance and conformance with any recommendations of Manufacturer

#### Lead Length

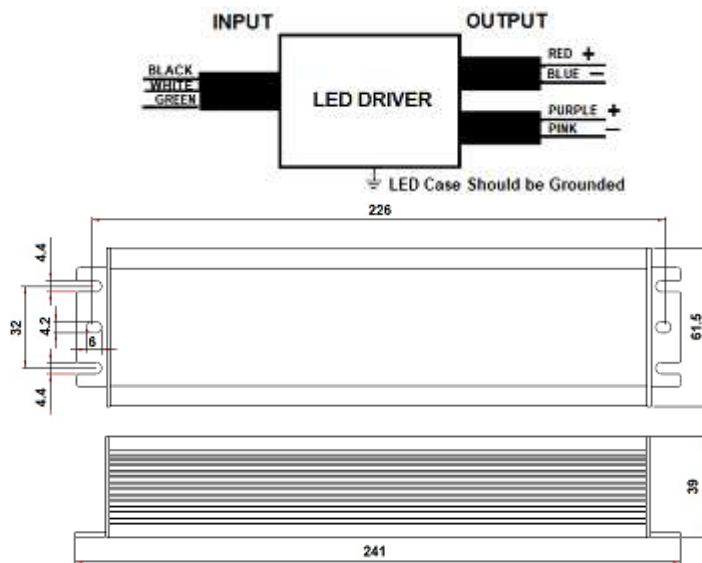
Colour	inc	cm
Black	6	15.2
White	6	15.2
Blue	6	15.2
Red	6	15.2
Pink	7.1	18
Purple	7.1	18

#### 0-10V Dimmer Compatibility Chart

LUTRON	LEVITON
NFTV	DS710-10Z
DVTV-WH	

#### Case Size Series FS8

L	W	H	ML
241	61.5	39	226mm
9.5	2.42	1.54	8.9inch



**WARNING:** Always Disconnect Power Before Handling. Case Should be Grounded. Install in Accordance with National and Local Electrical Codes

901 - 3rd Street West, North Vancouver, BC V7P 3P9 Canada

TEL: 604-904-9533

www.sagedrivers.com www.sagelighting.com

*Sage  
Lighting Ltd.*

# LED DRIVER 60W 0-10V Dimming IP67

Low Voltage 36V Output Constant Voltage Max **60W**  
IP67

Electronic Universal Voltage 120V-277V input LED Driver. 36V output Constant Voltage for Single circuit 60W maximum Dimming Range 10-100%.

## Technical Specification:

Class 2 UL, CUL Recognized, ROHS Compliant

EMI FCC Part 15, Class A

Rating: **IP 67**

Output Open/Short Protection

Min. Starting Temp: - 40° C

Max. Case Temp: 90° C

Typical Efficiency: 88%

Input Voltage range:  $\pm 10\%$

Output Load range  $\pm 5\%$

Input Frequency: 50/60HZ

THD: < 20%

Power Factor Min: 0.90

Remote Wiring Distance Full Load: 18AWG -18 ft

Surge Rating: 2 KV

Case Size: Series FS8

Due to continuing efforts to offer improved products all specifications are subject to change without prior notice

INPUT VOLTAGE	INPUT CURRENT	INPUT WATTS	OUTPUT POWER WATTS MAX	OUTPUT VOLTAGE	OUTPUT CURRENT AMPS	MODEL
120	0.6A	71	60	36V	0.166A – 1.66A	<b>NU36V60WSD-IP67</b>
277	0.26A					

### LIMITED WARRANTY

5 YEAR at maximum case temperature 75 deg C. 3 YEAR at maximum case temperature 90 deg C. Manufacturer warrants to the purchaser: Product will be free from defects in material or workmanship from the date of manufacture conditioned upon proper storage, installation, use, and maintenance and conformance with any recommendations of Manufacturer

### Lead Length

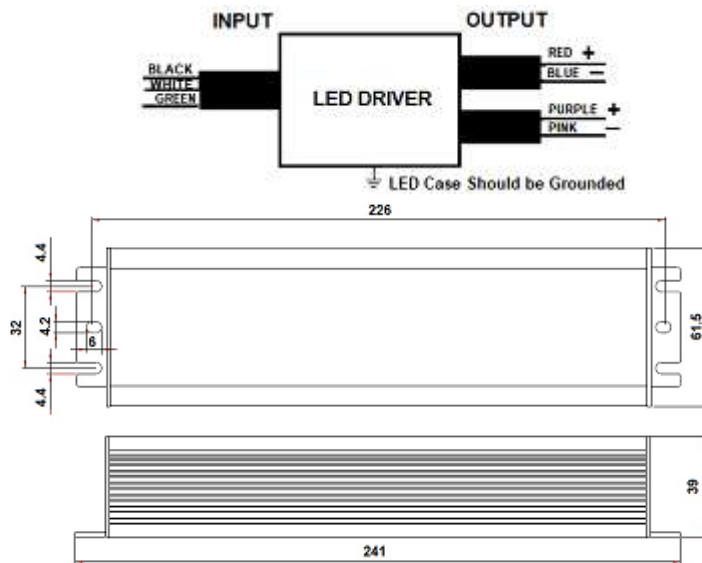
Colour	inc	cm
Black	6	15.2
White	6	15.2
Blue	6	15.2
Red	6	15.2
Pink	7.1	18
Purple	7.1	18

### 0-10V Dimmer Compatibility Chart

LUTRON	LEVITON
NFTV	DS710-10Z
DVTV-WH	

### Case Size Series FS8

L	W	H	ML
241	61.5	39	226mm
9.5	2.42	1.54	8.9inch



**WARNING:** Always Disconnect Power Before Handling. Case Should be Grounded. Install in Accordance with National and Local Electrical Codes

901 - 3rd Street West, North Vancouver, BC V7P 3P9 Canada

TEL: 604-904-9533

www.sagedrivers.com www.sagelighting.com

*Sage  
Lighting Ltd.*



# LED DRIVER 150W 0-10V Dimming

## Low Voltage 36V Output Constant Voltage Max 150W IP67

Universal Voltage 120V-277V input Electronic Constant Voltage LED Driver 0-10V Dimming. 36V output for Single circuit 150W maximum.

### Technical Specification:

UL, CUL Certified, ROHS Compliant

EMI FCC Part 15, Class A

Rating: **IP 67**

Output Open/Short Protection

Min. Starting Temp: - 40° C

Max. Case Temp: 90° C

Typical Efficiency: 91%

Input Voltage range:  $\pm 10\%$

Output Load range  $\pm 5\%$

Input Frequency: 50/60HZ

THD: < 20%

Power Factor Min: 0.90

Remote Wiring Distance Full Load: 18AWG -18 ft

Surge Protection: 2 KV

Case Size: Series FS9

Due to continuing efforts to offer improved products all specifications are subject to change without prior notice

INPUT VOLTAGE	INPUT CURRENT	INPUT WATTS	OUTPUT POWER WATTS MAX	OUTPUT VOLTAGE	OUTPUT CURRENT AMPS	MODEL
120	1.48A	163	150	36V	0.416 – 4.16A	<b>NU36V150WSD-IP67</b>
277	0.62A					

#### LIMITED WARRANTY

5 YEAR at maximum case temperature 75 deg C. 3 YEAR at maximum case temperature 90 deg C. Manufacturer warrants to the purchaser: Product will be free from defects in material or workmanship from the date of manufacture conditioned upon proper storage, installation, use, and maintenance and conformance with any recommendations of Manufacturer

#### Lead Length

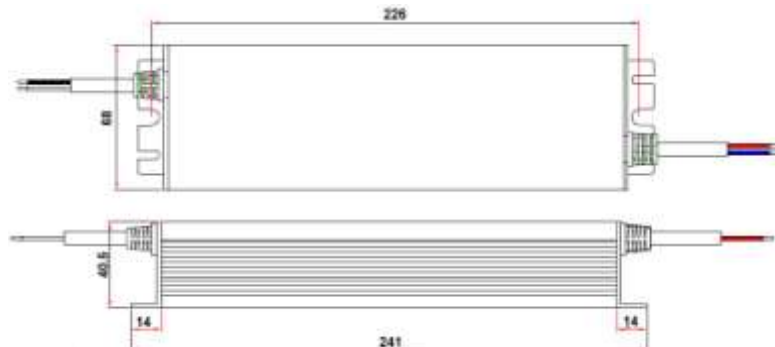
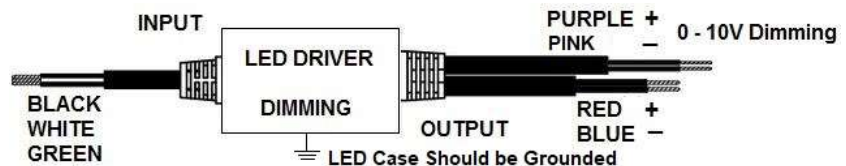
Colour	inc	cm
Black	6	15.2
White	6	15.2
Blue	6	15.2
Red	6	15.2
Pink	7.1	18
Purple	7.1	18

#### 0-10V Dimmer Compatibility Chart

LUTRON	LEVITON
NFTV	DS710-10Z
DVTV-WH	

#### Case Size Series FS9

L	W	H	ML
241	68	40.5	226mm
9.5	2.68	1.6	8.9inch



**WARNING:** Always Disconnect Power Before Handling. Case Should be Grounded. Install in Accordance with National and Local Electrical Codes

901 - 3rd Street West, North Vancouver, BC V7P 3P9 Canada

TEL: 604-904-9533

www.sagedrivers.com www.sagelighting.com

*Sage  
Lighting Ltd.*



# LED DRIVER Single Output Circuit

## Low Voltage 12V Output Constant Voltage Max 60W IP67

Electronic Universal Voltage 120V-277V input LED Driver. 12V output Constant Voltage for Single circuit 60W maximum.

### Technical Specification:

Class 2 UL, CUL Recognized, ROHS Compliant  
EMI FCC Part 15, Class A  
Rating: IP 67  
Output Open/Short Protection  
Min. Starting Temp: - 40° C  
Max. Case Temp: 90° C  
Typical Efficiency: 83%

Input Voltage range:  $\pm 10\%$   
Output Load range  $\pm 5\%$   
THD: < 20%  
Input Frequency: 50/60HZ  
Power Factor Min: 0.90  
Remote Wiring Distance Full Load: 18AWG - 18 ft

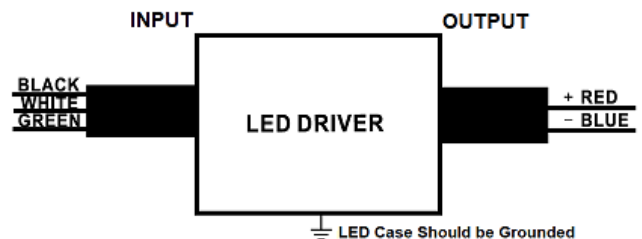
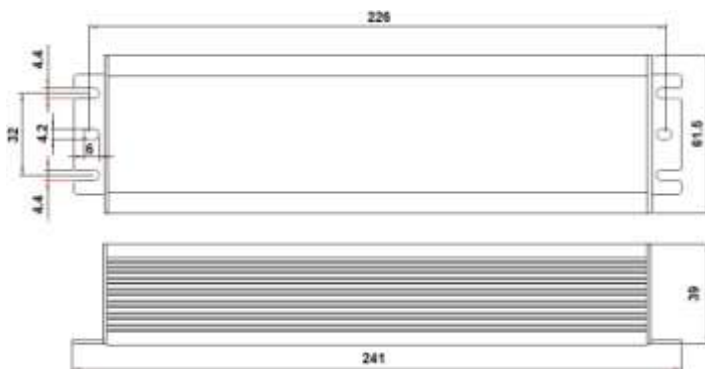
Case Size: Series FS8

Due to continuing efforts to offer improved products all specifications are subject to change without prior notice 1/4/23

INPUT VOLTAGE	INPUT CURRENT	INPUT WATTS	OUTPUT POWER WATTS MAX	OUTPUT VOLTAGE DC	OUTPUT CURRENT AMPS	MODEL
120	0.61A	74	60	12V	5A	NU12V60WS-IP67
277	0.27A					

#### LIMITED WARRANTY

5 YEAR at maximum case temperature 75 deg C. 3 YEAR at maximum case temperature 90 deg C. Manufacturer warrants to the purchaser: Product will be free from defects in material or workmanship from the date of manufacture conditioned upon proper storage, installation, use, and maintenance and conformance with any recommendations of Manufacturer



**WARNING:** Always Disconnect Power Before Handling. Case Should be Grounded. Install in Accordance with National and Local Electrical Codes

Case Size Series FS8			
L	W	H	ML
241	61	39	226mm
9.5	2.4	1.54	8.9inch

Lead Length		
Colour	inch	cm
Black	6	15.2
White	6	15.2
Blue	6	15.2
Red	6	15.2

# LED DRIVER Single Output Circuit

Low Voltage 12V Output Constant Voltage Max **100W**  
**IP67**

Electronic Universal Voltage 120V-277V input LED Driver. 12V output Constant Voltage for Single circuit 100W maximum.

## Technical Specification:

Class 2 UL, CUL Recognized, ROHS Compliant  
 EMI FCC Part 15, Class A

Rating: **IP67**

Output Open/Short Protection  
 Min. Starting Temp: - 40° C  
 Max. Case Temp: 90° C  
 Typical Efficiency: 89%

Input Voltage range:  $\pm 10\%$   
 Output Load range:  $\pm 5\%$   
 THD: < 20%  
 Input Frequency: 50/60HZ  
 Power Factor Min: 0.90  
 Remote Wiring Distance Full Load: 14AWG -18 ft  
 Suitable ONLY for Pure LED Load

Case Size: Series FS8

Due to continuing efforts to offer improved products all specifications are subject to change without prior notice

INPUT VOLTAGE	INPUT CURRENT	INPUT WATTS	OUTPUT POWER WATTS MAX	OUTPUT VOLTAGE	OUTPUT CURRENT MAX	MODEL
120	0.98A	111	100	12V	0.8-8A	<b>NU12V100WS-IP67</b>
277	0.42A					

### LIMITED WARRANTY

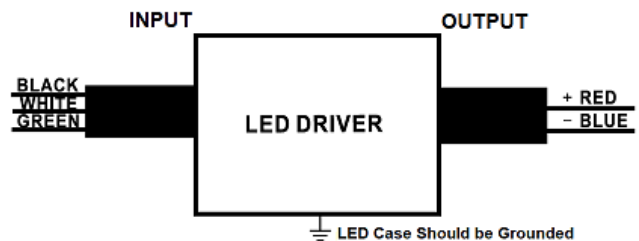
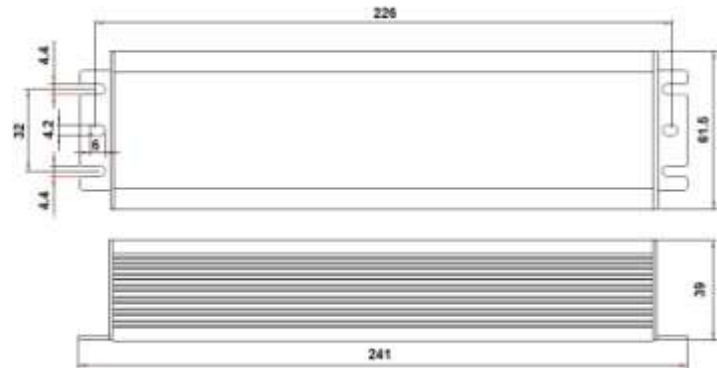
5 YEAR at maximum case temperature 75 deg C. 3 YEAR at maximum case temperature 90 deg C. Manufacturer warrants to the purchaser: Product will be free from defects in material or workmanship from the date of manufacture conditioned upon proper storage, installation, use, and maintenance and conformance with any recommendations of Manufacturer

### Lead Length

Colour	inch	cm
Black	6	15.2
White	6	15.2
Blue	6	15.2
Red	6	15.2

### Case Size Series FS8

L	W	H	ML
241	61	39	226mm
9.5	2.4	1.54	8.9inch



**WARNING:** Always Disconnect Power Before Handling. Case Should be Grounded. Install in Accordance with National and Local Electrical Codes

# LED DRIVER Single Output Circuit

## Low Voltage 24V Output Constant Voltage Max **100W** IP67

Electronic Universal Voltage 120V-277V input LED Driver. 24V output Constant Voltage for Single circuit 100W maximum.

### Technical Specification:

Class 2 UL, CUL Recognized, ROHS Compliant  
EMI FCC Part 15, Class A  
Rating: **IP67**  
Output Open/Short Protection  
Min. Starting Temp: - 40° C  
Max. Case Temp: 90° C  
Efficiency: 90%

Input Voltage range:  $\pm 10\%$   
Output Load range:  $\pm 5\%$   
THD: < 10%  
Input Frequency: 50/60HZ  
Power Factor Min: 0.90  
Remote Wiring Distance Full Load: 18AWG -18 ft Typical

Case Size: Series FS8

Due to continuing efforts to offer improved products all specifications are subject to change without prior notice 1/7/18

INPUT VOLTAGE	INPUT CURRENT	INPUT WATTS	OUTPUT POWER WATTS MAX	OUTPUT VOLTAGE	OUTPUT CURRENT	MODEL
120	0.98A	111	100	24V	4.1A	<b>NU24V100WS-IP67</b>
277	0.42A					

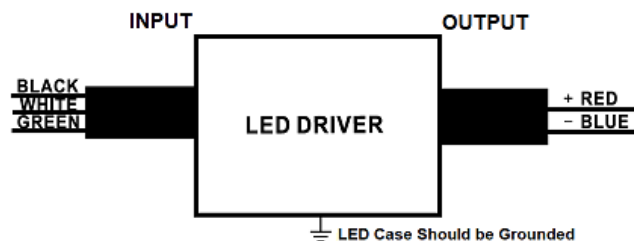
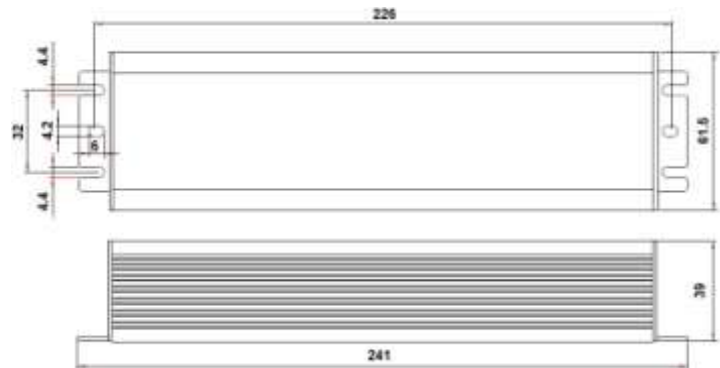
#### LIMITED WARRANTY

5 YEAR at maximum case temperature 75 deg C. 3 YEAR at maximum case temperature 90 deg C. Manufacturer warrants to the purchaser: Product will be free from defects in material or workmanship from the date of manufacture conditioned upon proper storage, installation, use, and maintenance and conformance with any recommendations of Manufacturer

Colour	inch	cm
Black	18.8	48
White	18.8	48
Blue	12	30.5
Red	12	30.5
Green	18.8	18.8

#### Case Size Series FS8

L	W	H	ML
241	61	39	226mm
9.5	2.4	1.54	8.9inch



**WARNING:** Always Disconnect Power Before Handling. Case Should be Grounded. Install in Accordance with National and Local Electrical Codes

# LED DRIVER Single Output Circuit IP67

## Low Voltage 24V Output Constant Voltage Max 150W

### IP67

Electronic Universal Voltage 120V-277V input LED Driver. 24V output Constant Voltage for Single circuit 150W maximum.

### Technical Specification:

UL, CUL Recognized, ROHS Compliant  
 EMI FCC Part 15, Class A  
 Rating: **IP67**  
 Output Open/Short Protection  
 Min. Starting Temp: - 40° C  
 Max. Case Temp: 90° C  
 Typical Efficiency: 91%

Input Voltage range:  $\pm 10\%$   
 Output Load range  $\pm 5\%$   
 THD: < 20%  
 Input Frequency: 50/60HZ  
 Power Factor Min: 0.90  
 Remote Wiring Distance Full Load: 18AWG -18 ft

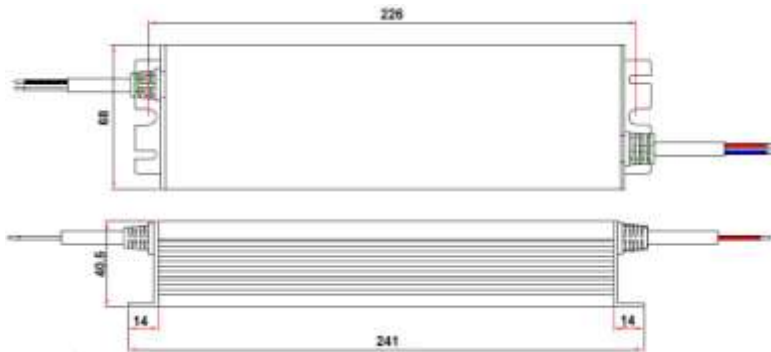
**Case Size: Series FS9**

Due to continuing efforts to offer improved products all specifications are subject to change without prior notice

INPUT VOLTAGE	INPUT CURRENT	INPUT WATTS	OUTPUT POWER WATTS MAX	OUTPUT VOLTAGE	OUTPUT CURRENT AMPS	MODEL
120	1.48A	165	150	24V	6.25A	<b>NU24V150WS-IP67</b>
277	0.62A					

#### LIMITED WARRANTY

5 YEAR at maximum case temperature 75 deg C. 3 YEAR at maximum case temperature 90 deg C. Manufacturer warrants to the purchaser: Product will be free from defects in material or workmanship from the date of manufacture conditioned upon proper storage, installation, use, and maintenance and conformance with any recommendations of Manufacturer

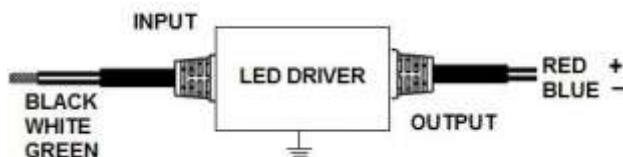


Lead Length

Colour	inch	cm
Black	6	15.2
White	6	15.2
Blue	6	15.2
Red	6	15.2

Case Size Series FS9

L	W	H	ML
241	68	40.5	226mm
9.5	2.68	1.6	8.9inch



**WARNING:** Always Disconnect Power Before Handling. Case Should be Grounded. Install in Accordance with National and Local Electrical Codes

# LED DRIVER Single Output Circuit IP67

Low Voltage 36V Output Constant Voltage Max **60W**

IP67 Compact Case

Electronic Universal Voltage 120V-277V input LED Driver. 36V output Constant Voltage for Single circuit 60W maximum.

## Technical Specification:

Class 2 UL, CUL Recognized, ROHS Compliant

EMI FCC Part 15, Class A

Rating: **IP67**

Output Open/Short Protection

Min. Starting Temp: - 40° C

Max. Case Temp: 90° C

Typical Efficiency: 90%

Input Voltage range:  $\pm 10\%$

Output Load range:  $\pm 5\%$

Input Frequency: 50/60HZ

THD: < 20%

Power Factor Min: 0.90

Remote Wiring Distance Full Load: 18AWG -18 ft

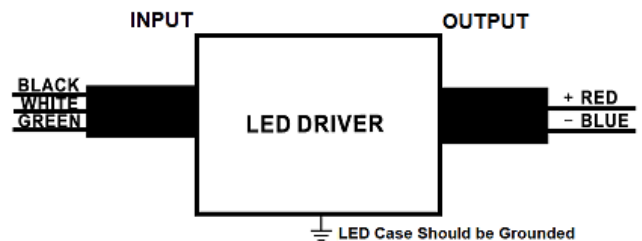
Case Size: Series C9U

Due to continuing efforts to offer improved products all specifications are subject to change without prior notice

INPUT VOLTAGE	INPUT CURRENT	INPUT WATTS	OUTPUT POWER WATTS MAX	OUTPUT VOLTAGE	OUTPUT CURRENT AMPS	MODEL
120	0.60A	68	60	36V	1.66A	<b>NU36V60WS-IP67</b>
277	0.26A					

### LIMITED WARRANTY

5 YEAR at maximum case temperature 75 deg C. 3 YEAR at maximum case temperature 90 deg C. Manufacturer warrants to the purchaser: Product will be free from defects in material or workmanship from the date of manufacture conditioned upon proper storage, installation, use, and maintenance and conformance with any recommendations of Manufacturer



**WARNING:** Always Disconnect Power Before Handling. Case Should be Grounded. Install in Accordance with National and Local Electrical Codes

Case Size Series C9U

L	W	H	ML
171	68	40.5	158mm
6.73	2.68	1.6	6.22inch

Lead Length

Colour	inch	cm
Black	6	15.2
White	6	15.2
Blue	6	15.2
Red	6	15.2

901 - 3rd Street West, North Vancouver, BC V7P 3P9 Canada

TEL: 604-904-9533

www.sagedrivers.com www.sagelighting.com

*Sage  
Lighting Ltd.*

# LED DRIVER Single Output Circuit IP67

## Low Voltage 36V Output Constant Voltage Max 100W

### IP67

Electronic Universal Voltage 120V-277V input LED Driver. 36V output Constant Voltage for Single circuit 100W maximum.

### Technical Specification:

Class 2 UL, CUL Recognized, ROHS Compliant  
EMI FCC Part 15, Class A

Rating: **IP67**

Output Open/Short Protection

Min. Starting Temp: - 40° C

Max. Case Temp: 90° C

Efficiency: 90%

Input Voltage range:  $\pm 10\%$

Output Load range  $\pm 5\%$

Input Frequency: 50/60HZ

THD: < 20%

Power Factor Min: 0.90

Remote Wiring Distance Full Load: 18AWG -18 ft Typical

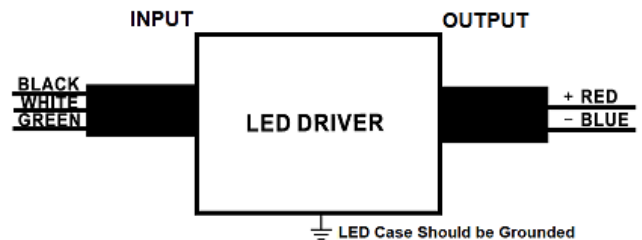
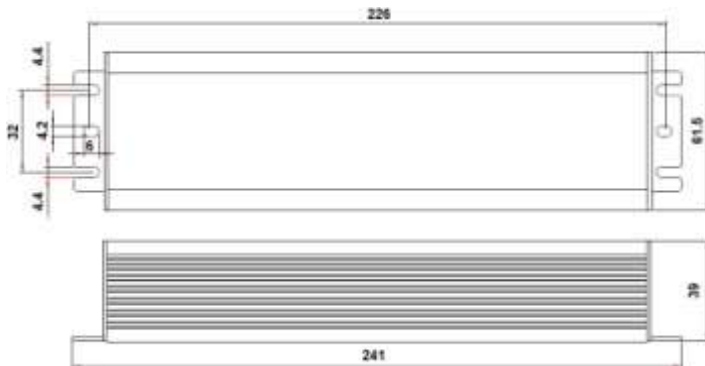
**Case Size: Series FS8**

Due to continuing efforts to offer improved products all specifications are subject to change without prior notice

INPUT VOLTAGE	INPUT CURRENT	INPUT WATTS	OUTPUT POWER WATTS MAX	OUTPUT VOLTAGE	OUTPUT CURRENT AMPS	MODEL
120	0.98A	111	100	36V	2.7A	<b>NU36V100WS-IP67</b>
277	0.42A					

#### LIMITED WARRANTY

5 YEAR at maximum case temperature 75 deg C. 3 YEAR at maximum case temperature 90 deg C. Manufacturer warrants to the purchaser: Product will be free from defects in material or workmanship from the date of manufacture conditioned upon proper storage, installation, use, and maintenance and conformance with any recommendations of Manufacturer



**WARNING:** Always Disconnect Power Before Handling. Case Should be Grounded. Install in Accordance with National and Local Electrical Codes

Case Size Series FS8

L	W	H	ML
241	61	39	226mm
9.5	2.4	1.54	8.9inch

Lead Length

Colour	inch	cm
Black	6	15.2
White	6	15.2
Blue	6	15.2
Red	6	15.2



# Sage

## Emergency LED Drivers

**120-347V**

**Cold Temperature -20°C**

**90Mins or 120Mins**

**IP67 Test Switch**

**Emergency Programmable Kit**

**120-277V**

**Inverter AC Sine Wave**

**TYPE B LED LAMP**

**Direct Wire Applications**

Sage offers Custom design capability including Ultra Slim and multiple Form factor and output values to provide flexibility for the Fixture Manufacturers to design for specialized range of luminaires.

The Emergency LED Drivers are available in Constant Power or Constant Current Versions with and without Flexible metal conduits and include Remote Battery options. Complete Emergency Programmable LED Driver Kits are also available. We would be pleased to review your design needs.



# 120V-347V LED EMERGENCY DRIVER

**COLD TEMP** Output Voltage 15V to 55V Constant **Power 267-72mA Max 4W**

**IP67 Rated Test Switch** For Use with AC Driver and LED Module with 15-55V Output

Cold Temperature **-20°C** Operation - Multi Voltage 120-347V Electronic LED Emergency Constant **Power** Driver with **Factory-wired** Test Switch/ Indicator, Face Plate & Battery End Connectors for **easy** installation. Output Range of 15V to 55V for 4W maximum.

All Specifications are nominal unless otherwise noted.

## Technical Specification:

FCC Part 15 Class A UL924, CSA C22.2 No. 141-15 , Meets CEC Title 20 Standards, ROHS Compliant

Rating: IP30. Battery Type/Model Number: Lithium-Ion 7.2V 2500mAh

Remote Wiring Distance Full Load: 18AWG -18 ft

For Installation inside an Electrical Enclosure. Operating Ambient Temp **-20°C** to **+55°C**



**Case Size: C4S**

Due to continuing efforts to offer improved products all specifications are subject to change without prior notice

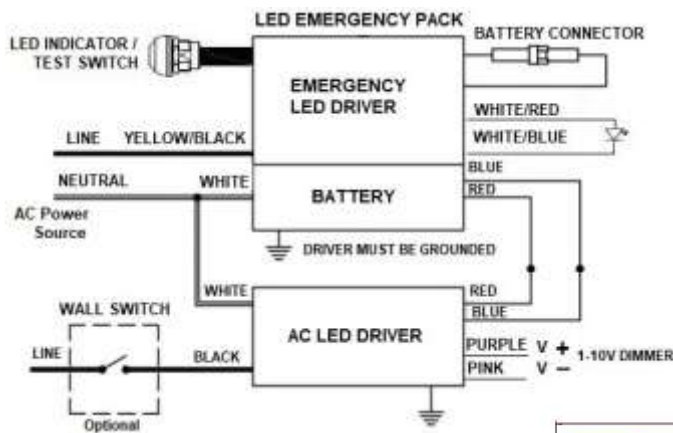
Emergency Operating Duration	Input Watts Max	Input Current Max	Battery			Output Watts Max	Rated Output Current mA Min - Max	Output Voltage Min - Max	MODEL
			Charge Current	Voltage	Charge Time Max				
90 Minutes	8W	110mA	185mA	7.2V	24 hrs	4W	72 - 267mA	15 to 55V	CCEM4W1555B72P

### LIMITED WARRANTY

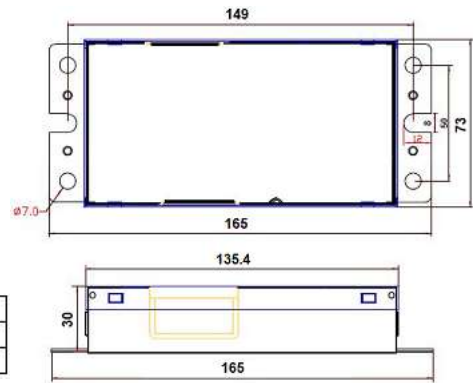
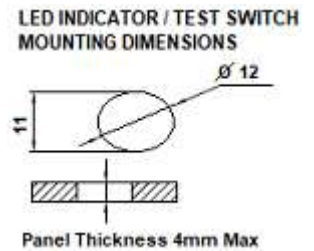
5 YEAR at maximum case temperature 60 deg C. 3 YEAR at maximum case temperature 66 deg C. 3 YEAR for battery. Manufacturer warrants to the purchaser: Product will be free from defects in material or workmanship from the date of manufacture conditioned upon proper storage, installation, use, and maintenance and conformance with any recommendations of Manufacturer.

### Lead Length

Colour	inch	cm
White	22	56
Yellow/Black	19	49
Blue	32	82
Red	32	82
White/Red	26	66
White/Blue	26	66
Battery Connector	33	84
Test Switch	25	63
LED Indicator	6	15



IP67



**WARNING:** Always Disconnect Power Before Handling. Case Should be Grounded. Install in Accordance with National and Local Electrical Codes

Case Size Series C4S			
L	W	H	ML
165	73	30	149mm
6.5	2.87	1.18	5.9inch

901 - 3rd Street West, North Vancouver, BC V7P 3P9 Canada

TEL: 604-904-9533

www.sagedrivers.com www.sagelighting.com



# 120V-347V LED EMERGENCY DRIVER **REMOTE BATTERY**

**COLD TEMP** Output Voltage 15V to 55V Constant **Power 670-180mA Max 10W**

**IP67 Rated Test Switch** For Use with AC Driver and LED Module with 15-55V Output

Cold Temperature **-20°C** Operation - Multi Voltage 120-347V Electronic LED Emergency Constant **Power** Driver with **Remote** Battery and **Factory-wired** Test Switch/ Indicator, Face Plate & Battery End Connectors for **easy** installation. Output Range of 15V to 55V for 10W maximum. All Specifications are nominal unless otherwise noted.

## Technical Specification:

FCC Part 15 Class A UL924, CSA C22.2 No. 141-15 , Meets CEC Title 20 Standards, ROHS Compliant

Rating: IP30. Battery Type/Model Number: Lithium-Ion 7.2V 5000mAh

Emergency Pack & Battery Max Mounting Distance 16 inch

Remote Battery Connector Max Wiring Distance 50ft

Remote Wiring Distance Full Load: 18AWG -18 ft

For Installation inside an Electrical Enclosure. Operating Temp **-20°C** to **+55°C**



**Case Size: C1U B1**

Due to continuing efforts to offer improved products all specifications are subject to change without prior notice

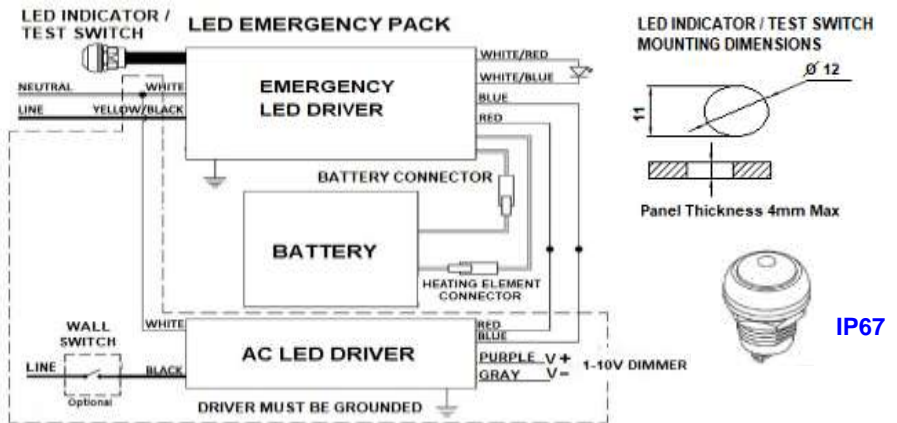
Emergency Operating Duration	Input Watts Max	Input Current Max	Battery			Output Watts Max	Rated Output Current mA Min - Max	Output Voltage Min - Max	MODEL
			Charge Current	Voltage	Charge Time Max				
90 Minutes	8W	110mA	500mA	7.2V	24 hrs	10W	180-670mA	15 to 55V	CCEM10W1555B72PX

### LIMITED WARRANTY

5 YEAR at maximum case temperature 60 deg C. 3 YEAR at maximum case temperature 66 deg C. 3 YEAR for battery. Manufacturer warrants to the purchaser: Product will be free from defects in material or workmanship from the date of manufacture conditioned upon proper storage, installation, use, and maintenance and conformance with any recommendations of Manufacturer.

### Lead Length

Colour	inch	cm
White	6	15.2
Blue	6	15.2
Red	6	15.2
Yellow/Black	6	15.2
White/Red	6	15.2
White/Blue	6	15.2
Heat Control	13/13	34/34
Battery / Battery Connector	3.5/12	9/32
Test Switch / LED Indicator	25	63
LED Indicator	6	15

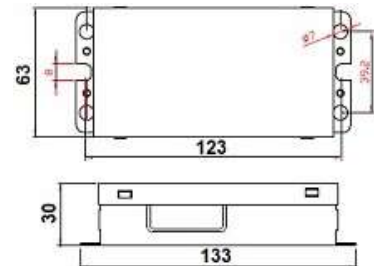
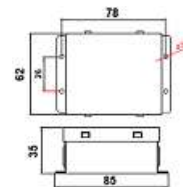


### Case Size Series C1U

L	W	H	ML
133	63	30	123mm
5.23	2.48	1.18	4.84inch

### Case Size Series B1

L	W	H	ML
85	62	35	78mm
3.35	2.4	1.38	3.07inch



**WARNING:** Always Disconnect Power Before Handling. Case Should be Grounded. Install in Accordance with National and Local Electrical Codes

901 - 3rd Street West, North Vancouver, BC V7P 3P9 Canada

TEL: 604-904-9533

www.sagedrivers.com www.sagelighting.com



# 120V-347V LED EMERGENCY DRIVER

**COLD TEMP** Output Voltage 15V to 55V Constant **Power 670-180mA Max 10W**  
**IP67 Rated Test Switch** For Use with AC Driver and LED Module with 15-55V Output

Cold Temperature **-20°C** Operation - Multi Voltage 120-347V Electronic LED Emergency Constant **Power** Driver with **Factory-wired** Test Switch/ Indicator, Face Plate & Battery End Connectors for **easy** installation. Output Range of 15V to 55V for 10W maximum.  
 All Specifications are nominal unless otherwise noted.

## Technical Specification:

FCC Part 15 Class A UL924, CSA C22.2 No. 141-15 , Meets CEC Title 20 Standards, ROHS Compliant  
 Rating: IP30. Battery Type/Model Number: Lithium-Ion 7.2V 5000mAh  
 Remote Wiring Distance Full Load: 18AWG -18 ft  
 For Installation inside an Electrical Enclosure. Operating Ambient Temp **-20°C** to **+55°C**



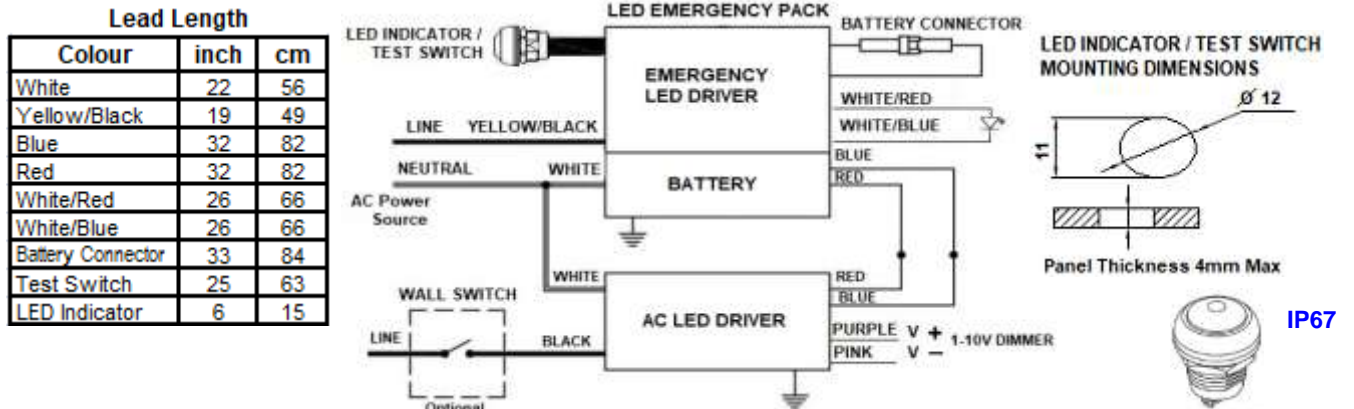
**Case Size: FS3**

Due to continuing efforts to offer improved products all specifications are subject to change without prior notice

Emergency Operating Duration	Input Watts Max	Input Current Max	Battery			Output Watts Max	Rated Output Current mA Min - Max	Output Voltage Min - Max	MODEL
			Charge Current	Voltage	Charge Time Max				
90 Minutes	8W	110mA	500mA	7.2V	24 hrs	10W	180-670mA	15 to 55V	CCEM10W1555B72P

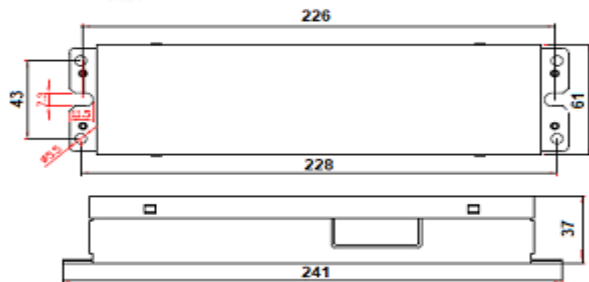
### LIMITED WARRANTY

5 YEAR at maximum case temperature 60 deg C. 3 YEAR at maximum case temperature 66 deg C. 3 YEAR for battery. Manufacturer warrants to the purchaser: Product will be free from defects in material or workmanship from the date of manufacture conditioned upon proper storage, installation, use, and maintenance and conformance with any recommendations of Manufacturer.



**Case Size Series FS3**

L	W	H	ML
241	61	37	226mm
9.5	2.4	1.46	8.9inch



**WARNING:** Always Disconnect Power Before Handling. Case Should be Grounded. Install in Accordance with National and Local Electrical Codes



# LED EMERGENCY INVERTER AC Sine Wave

Input 120V to 277VAC Output Voltage 120VAC **OR** 277VAC Constant **Power Max 25W**  
Compatible Lighting Loads: Strictly for LED, Fluorescent and Incandescent Max 75W

Universal Voltage 120-277V Electronic LED Emergency Constant **Power** Inverter with **Factory-wired** Test Switch/ Indicator, Face Plate, **Single Flexible Metal Conduit. Auto Select** Output Range of 120VAC or 277VAC for 25W maximum. All Specifications are nominal unless otherwise noted.

## Technical Specification:

FCC Part 15 Class A UL924, CSA C22.2 No. 141, Meets CEC Title 20 Standards, ROHS Compliant  
Rating: IP30. Battery Type/Model Number: Lithium LiFePO4, 12.8V, 6000mAh  
Surge Immunity: 6 kVpk for Ringwave & for Combination Wave \*Per ANSI/IEEE C62.41.2-2002  
Remote Wiring Distance Full Load: 18AWG Max 300ft limited by the losses in the wire  
Operating Ambient Temp 0-50C  
Battery should be recharged within the first year of installation.



Case Size: EM5

Due to continuing efforts to offer improved products all specifications are subject to change without prior notice

Emergency Operating Duration	Input Watts Max	Input Current Max	Battery			Output Watts	Power Factor	Output Voltage AC Auto Select	MODEL
			Charge Current	Charge Voltage	Charge Time				
90 Minutes	14W	120mA	500mA	12.8V	24 hrs	25W	>0.90	120V or 277V	IEM25W128P1FT

### LIMITED WARRANTY

5 YEAR at maximum case temperature 60 deg C. 3 YEAR at maximum case temperature 66 deg C. 3 YEAR for battery. Manufacturer warrants to the purchaser: Product will be free from defects in material or workmanship from the date of manufacture conditioned upon proper storage, installation, use, and maintenance and conformance with any recommendations of Manufacturer.

### Inverter Overload ( At 0-50 °C ambient temperature ) :

**Lighting Load without 0-10V Dimmer:** Max Steady-State Long Term Load should be less than 38.5VA. The Inverter's overload delivery capability is 57.7 VA for 15 minutes Max, and 42.3 VA for 100 minutes Max.

**Lighting Load with 0-10V Dimmer:** Max Normal-mode Steady-state Long Term Load should be less than 75W. The inverter will Dim the lighting load down to 42.3 VA in Emergency mode. The overload condition is avoided for properly functioning 0-10VDC dimming lighting loads

### Features and Applications

- Provides back-up power to drive the existing LED, Fluorescent or Incandescent fixtures.
- Delivers Constant Power during emergency status to the fixture.
- Auto-Dimming (0-10V)
- Pure Sine Wave Inverter with Auto Select Output 120VAC or 277VAC 60Hz.
- Short Circuit Auto recovery 10 seconds after the short Circuit removed
- Overheat Protection with Auto recovery feature during over temperature condition
- Compatible with switched or unswitched fixtures

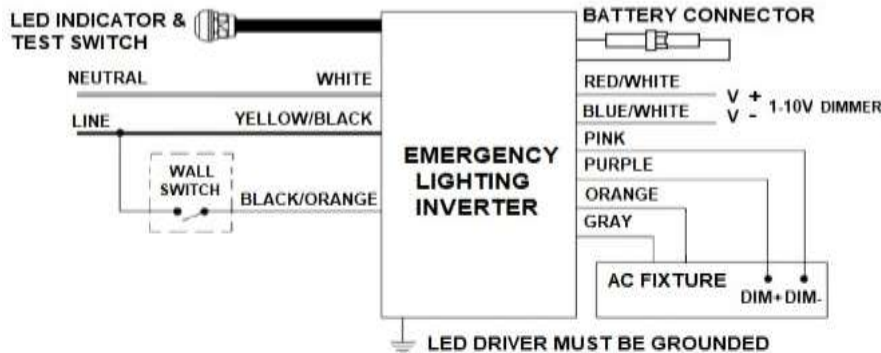
# LED EMERGENCY INVERTER AC Sine Wave

Input 120V to 277VAC Output Voltage 120VAC **OR** 277VAC Constant **Power Max 25W**  
 Compatible Lighting Loads: Strictly for LED, Fluorescent and Incandescent Max 75W

IEM25W128P1FT

Page ...2

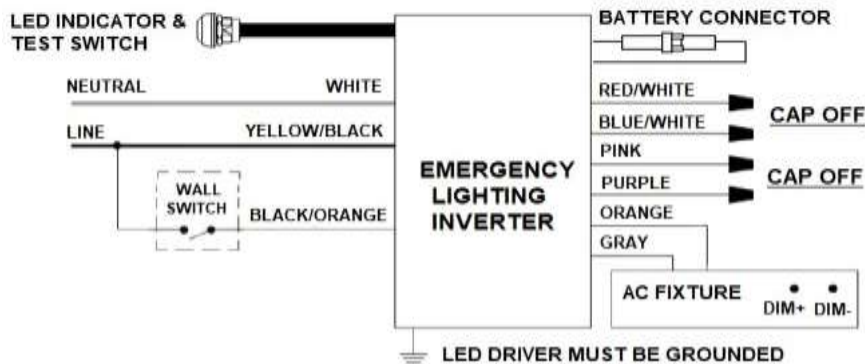
## Wiring with 0-10V Dimmer



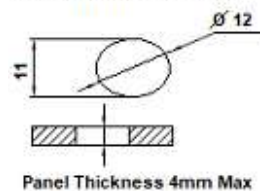
## Lead Length

Colour	inch	cm
White	42	107
Yellow/Black	42	107
Black/Orange	42	107
Orange	42	107
Gray	42	107
Purple	42	107
Pink	42	107
Red/White	42	107
Blue/White	42	107
Battery Connector	42	107
Test Switch	42	107
LED Indicator	23	60
Conduit	36	91

## Wiring Without 0-10V Dimmer



## LED INDICATOR / TEST SWITCH MOUNTING DIMENSIONS



## Case Size Series EM5

L	W	H	ML
525	57	52	515mm
20.67	2.24	2.05	20.28inch

**WARNING:** Always Disconnect Power Before Handling. Case Should be Grounded. Install in Accordance with National and Local Electrical Codes



# LED EMERGENCY INVERTER AC Sine Wave

Input 120V to 277VAC Output Voltage 120VAC **OR** 277VAC Constant **Power Max 35W**  
 Compatible Lighting Loads: Strictly LED, Fluorescent and Incandescent Max 105W

Universal Voltage 120-277V Electronic LED Emergency Constant **Power** Inverter with **Factory-wired** Test Switch/ Indicator, Face Plate, **Single Flexible Metal Conduit. Auto Select** Output Range of 120VAC or 277VAC for 35W maximum. All Specifications are nominal unless otherwise noted.

## Technical Specification:

FCC Part 15 Class A UL924, CSA C22.2 No. 141, Meets CEC Title 20 Standards, ROHS Compliant  
 Rating: IP30. Battery Type/Model Number: Lithium LiFePO4, 12.8V, 7200mAh  
 Surge Immunity: 6 kVpk for Ringwave & for Combination Wave \*Per ANSI/IEEE C62.41.2-2002  
 Remote Wiring Distance Full Load: 18AWG Max 300ft limited by the losses in the wire  
 Operating Ambient Temp 0-50C  
 Battery should be recharged within the first year of installation.



Case Size: EM5

Due to continuing efforts to offer improved products all specifications are subject to change without prior notice

Emergency Operating Duration	Input Watts Max	Input Current Max	Max Battery			Output Watts	Power Factor	Output Voltage AC Auto Select	MODEL
			Charge Current	Charge Voltage	Charge Time				
90 Minutes	14W	120mA	500mA	12.8V	24 hrs	35W	>0.90	120V or 277V	IEM35W128P1FT

### LIMITED WARRANTY

5 YEAR at maximum case temperature 60 deg C. 3 YEAR at maximum case temperature 66 deg C. 3 YEAR for battery. Manufacturer warrants to the purchaser: Product will be free from defects in material or workmanship from the date of manufacture conditioned upon proper storage, installation, use, and maintenance and conformance with any recommendations of Manufacturer.

### Inverter Overload ( At 0-50 °C ambient temperature ) :

**Lighting Load without 0-10V Dimmer:** Max Steady-State Long Term Load should be less than 53.8 VA. The Inverter's overload delivery capability is 80.8 VA for 15 minutes Max, and 59.2 VA for 100 minutes Max.

**Lighting Load with 0-10V Dimmer:** Max Normal-mode Steady-state Long Term Load should be less than 105W. The inverter will Dim the lighting load down to 59.2 VA in Emergency mode. The overload condition is avoided for properly functioning 0-10VDC dimming lighting loads

### Features and Applications

- Provides back-up power to drive the existing LED, Fluorescent or Incandescent fixtures.
- Delivers Constant Power during emergency status to the fixture.
- Auto-Dimming (0-10V)
- Pure Sine Wave Inverter with Auto Select Output 120VAC or 277VAC 60Hz.
- Short Circuit Auto recovery 10 seconds after the short Circuit removed
- Overheat Protection with Auto recovery feature during over temperature condition
- Compatible with switched or unswitched fixtures

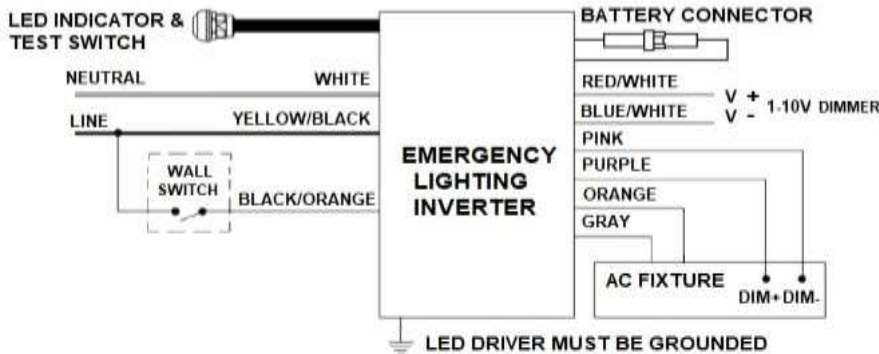
# LED EMERGENCY INVERTER AC Sine Wave

Input 120V to 277VAC Output Voltage 120VAC **OR** 277VAC Constant **Power Max 35W**  
 Compatible Lighting Loads: Strictly LED, Fluorescent and Incandescent Max 105W

IEM35W128P1FT

Page ...2

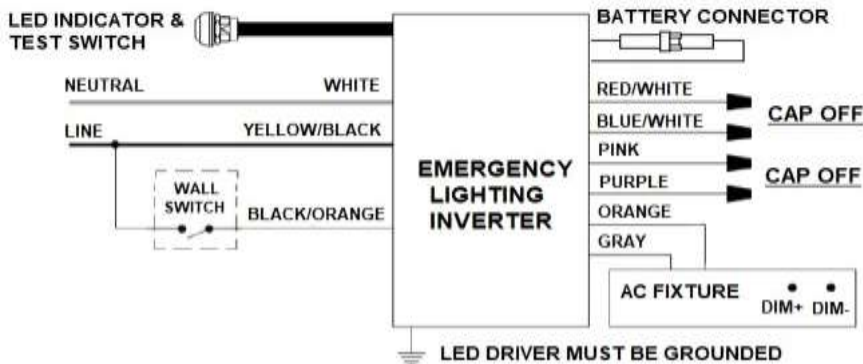
### Wiring with 0-10V Dimmer



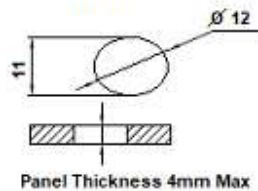
### Lead Length

Colour	inch	cm
White	42	107
Yellow/Black	42	107
Black/Orange	42	107
Orange	42	107
Gray	42	107
Purple	42	107
Pink	42	107
Red/White	42	107
Blue/White	42	107
Battery Connector	42	107
Test Switch	42	107
LED Indicator	23	60
Conduit	36	91

### Wiring Without 0-10V Dimmer



### LED INDICATOR / TEST SWITCH MOUNTING DIMENSIONS



### Case Size Series EM5

L	W	H	ML
525	57	52	515mm
20.67	2.24	2.05	20.28inch

**WARNING:** Always Disconnect Power Before Handling. Case Should be Grounded. Install in Accordance with National and Local Electrical Codes

# LED EMERGENCY INVERTER AC Sine Wave

Input 120V to 277VAC Output Voltage 120VAC **OR** 277VAC Constant **Power Max 50W**  
Compatible Lighting Loads: Strictly LED, Fluorescent and Incandescent Max 150W

Universal Voltage 120-277V Electronic LED Emergency Constant **Power** Inverter with **Factory-wired** Test Switch/ Indicator, Face Plate, **Single Flexible Metal Conduit. Auto Select** Output Range of 120VAC **or** 277VAC for 50W maximum. All Specifications are nominal unless otherwise noted.

## Technical Specification:

FCC Part 15 Class A UL924, CSA C22.2 No. 141, Meets CEC Title 20 Standards, ROHS Compliant  
Rating: IP30. Battery Type/Model Number: Lithium LiFePO4, 12.8V, 9200mAh  
Surge Immunity: 6 kVpk for Ringwave & for Combination Wave \*Per ANSI/IEEE C62.41.2-2002  
Remote Wiring Distance Full Load: 18AWG Max 300ft limited by the losses in the wire  
Operating Ambient Temp 0-50C  
Battery should be recharged within the first year of installation.



Case Size: EM5

Due to continuing efforts to offer improved products all specifications are subject to change without prior notice

Emergency Operating Duration	Input Watts Max	Input Current Max	Max Battery			Output Watts	Power Factor	Output Voltage AC Auto Select	MODEL
			Charge Current	Charge Voltage	Charge Time				
90 Minutes	14W	120mA	500mA	12.8V	24 hrs	50W	>0.90	120V or 277V	IEM50W128P1FT

### LIMITED WARRANTY

5 YEAR at maximum case temperature 60 deg C. 3 YEAR at maximum case temperature 66 deg C. 3 YEAR for battery. Manufacturer warrants to the purchaser: Product will be free from defects in material or workmanship from the date of manufacture conditioned upon proper storage, installation, use, and maintenance and conformance with any recommendations of Manufacturer.

### Inverter Overload ( At 0-50 °C ambient temperature ) :

**Lighting Load without 0-10V Dimmer:** Max Steady-State Long Term Load should be less than 76.9 VA. The Inverter's overload delivery capability is 115.4VA for 10 minutes Max, and 84.6 VA for 100 minutes Max.

**Lighting Load with 0-10V Dimmer:** Max Normal-mode Steady-state Long Term Load should be less than 150W. The inverter will Dim the lighting load down to 84.6 VA in Emergency mode. The overload condition is avoided for properly functioning 0-10VDC dimming lighting loads

### Features and Applications

- Provides back-up power to drive the existing LED, Fluorescent or Incandescent fixtures.
- Delivers Constant Power during emergency status to the fixture.
- Auto-Dimming (0-10V)
- Pure Sine Wave Inverter with Auto Select Output 120VAC **or** 277VAC 60Hz.
- Short Circuit Auto recovery 10 seconds after the short Circuit removed
- Overheat Protection with Auto recovery feature during over temperature condition
- Compatible with switched or unswitched fixtures

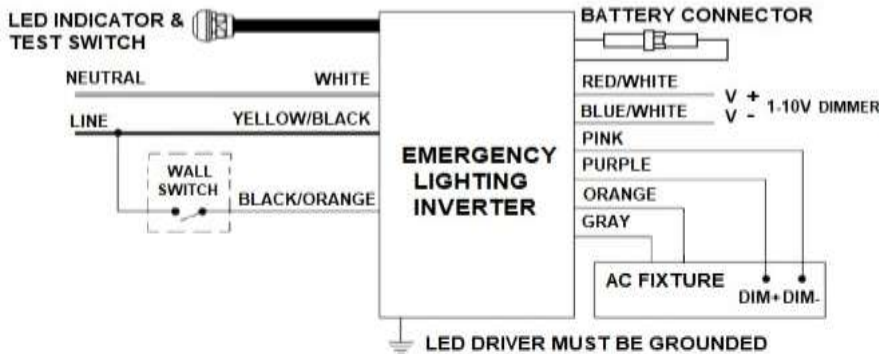
# LED EMERGENCY INVERTER AC Sine Wave

Input 120V to 277VAC Output Voltage 120VAC **OR** 277VAC Constant **Power Max 50W**  
 Compatible Lighting Loads: Strictly LED, Fluorescent and Incandescent Max 150W

IEM50W128P1FT

Page ...2

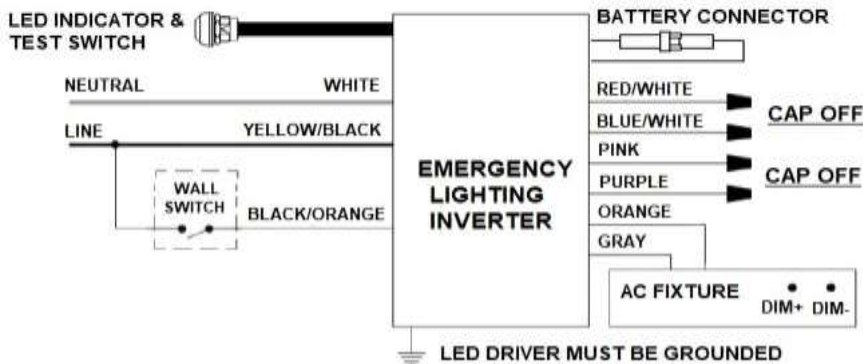
### Wiring with 0-10V Dimmer



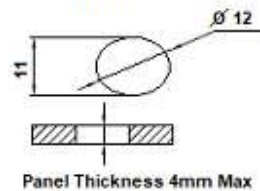
### Lead Length

Colour	inch	cm
White	42	107
Yellow/Black	42	107
Black/Orange	42	107
Orange	42	107
Gray	42	107
Purple	42	107
Pink	42	107
Red/White	42	107
Blue/White	42	107
Battery Connector	42	107
Test Switch	42	107
LED Indicator	23	60
Conduit	36	91

### Wiring Without 0-10V Dimmer



### LED INDICATOR / TEST SWITCH MOUNTING DIMENSIONS



### Case Size Series EM5

L	W	H	ML
525	57	52	515mm
20.67	2.24	2.05	20.28inch

**WARNING:** Always Disconnect Power Before Handling. Case Should be Grounded. Install in Accordance with National and Local Electrical Codes

# 120V-277V TYPE B LED LAMP EMERGENCY DRIVER

## Output Voltage 40V to 180VDC Constant Power Max 10W

For Use with AC Driver 5A Max Current and with **4.5W to 23W** Non-Dimmable Type B LED Lamps & Dimmable Single-ended Triac Phase Cut. **Input Voltage for Type B LED Lamps must be 120V-277VAC.**

Universal Voltage 120-277V Electronic LED Emergency Constant Power Driver with **Factory-wired** Test Switch/ Indicator, Face Plate & Battery End Connectors for **easy** installation. Output Range of 40V to 180V for 10W maximum. All Specifications are nominal unless otherwise noted.

### Technical Specification:

FCC Part 15 Class A UL924, CSA C22.2 No. 141-15, Meets CEC Title 20 Standards, ROHS Compliant

Rating: IP30. Battery Type/Model Number: Lithium LiFePO4, 12.8V, 1800mAh

Remote Wiring Distance Full Load: 18AWG -18 ft Operating Ambient Temp 0-50C



Case Size: E14L

Due to continuing efforts to offer improved products all specifications are subject to change without prior notice

Emergency Operating Duration	Input Watts Max	Input Current Max	Battery			Output Current	LED Load Type B Max	Output Voltage DC	MODEL
			Charge Current	Charge Voltage	Charge Time Max				
90 Minutes	11W	140mA	200mA	12.8V	24 hrs	Load Dependent	10W	40-180V	BEM10W170128PE14

#### LIMITED WARRANTY

5 YEAR at maximum case temperature 60 deg C. 3 YEAR at maximum case temperature 66 deg C. 3 YEAR for battery. Manufacturer warrants to the purchaser: Product will be free from defects in material or workmanship from the date of manufacture conditioned upon proper storage, installation, use, and maintenance and conformance with any recommendations of Manufacturer.

#### Features and Applications - ALL LED Lamps mentioned below are UL Type B with Input Voltage 120V-277V

- Provides back-up power to drive the existing Non-dimmable Type B 4.5W-23W LED Lamps.
- Also drives single-ended Triac phase cut dimmable Type B 4.5W-23W LED lamps.
- Delivers Constant Power 10W during emergency status to the LED lamps with Input Voltage 120-277V.
- Delivers to the LED Lamp the same Constant Power 10W when driving lamp rated less or more than 10W.
- Over Load/Short Circuit Auto Recovery.
- Shut down mode, re-power on to recover during over temperature condition
- Compatible with switched or unswitched fixtures

#### This Driver is Compatible Strictly with 120V-277V Input Voltage UL Type B LED Lamps listed below:

Brand	Lamp Model No for: Input Voltage 120-277VAC ONLY	Power Watt @120VAC/60Hz	Emergency Output			
			Voltage (VDC)	Current (A)	Power (W)	Light up
Adata	AL-TBT8-4G-18W30	18.5	81.5	0.124	10.1	Y
Apmcomm	TL280-60-1196-G1/277 20W	21.8	87.7	0.115	10.1	
Everlight	865CNS-GD4	17.2	89.0	0.113	10.1	Y
Everlight	830CNS-GD4	18.2	88.8	0.113	10.0	Y
Forest Lighting	MT8S69	17.7	75.9	0.133	10.1	Y
Forest Lighting	MT8W69	17.9	79.5	0.127	10.1	Y
High Light	HL-N60C209X	8.9	170.9	0.052	8.8	Y
High Light	HL-412020WD	19.7	79.1	0.127	10.0	Y
Listar	LS-BTUBE18NW	19.4	87.4	0.115	10.1	Y
MaxLite	L9T8SE250-G	8.8	170.9	0.050	8.5	Y
MaxLite	L13T8SE450-GB	13.0	56.9	0.177	10.1	Y
Osram	LVT8E-0.6m-9W-865	9.5	85.8	0.117	10.0	Y
Osram	LVT8E-1.2m-18W-865	19.5	77.6	0.130	10.1	Y
Philips	9290013076A	8.4	170.9	0.049	8.4	Y
Philips	929002468015	19.1	76.6	0.132	10.1	Y
Toshiba	REC-LED-5W/HL/A55	4.9	171.0	0.029	5.0	Y
Toshiba	REC-LED-14W/HD/A70	13.2	84.5	0.120	10.1	Y
Trunk	LT8TR203LG	18.4	88.7	0.113	10.0	Y
Trunk	LT8TR203DG	18.5	81.8	0.123	10.1	Y
TOA	LTU010-20AAL S	19.1	76.3	0.132	10.1	Y
TOA	LTU010-20AAD E	19.6	79.6	0.127	10.1	Y
TLW	5101-01-0075-3DC0102	7.5	171.0	0.042	7.2	Y
TLW	T54J-20-30A	19.8	72.7	0.139	10.1	Y

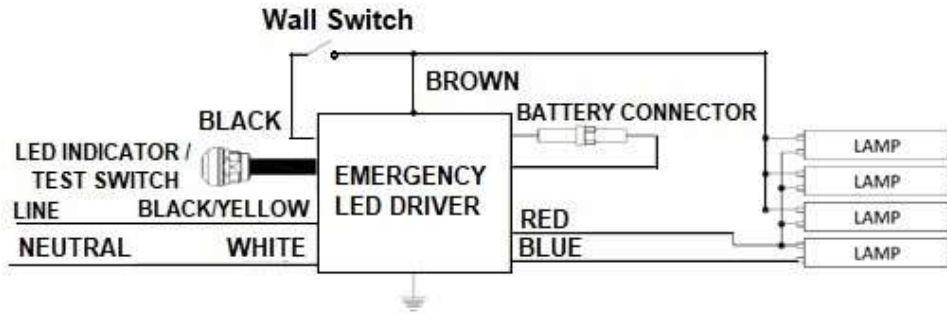
# 120V-277V TYPE B LED LAMP EMERGENCY DRIVER

Output Voltage 40V to 180VDC Constant **Power Max 10W**

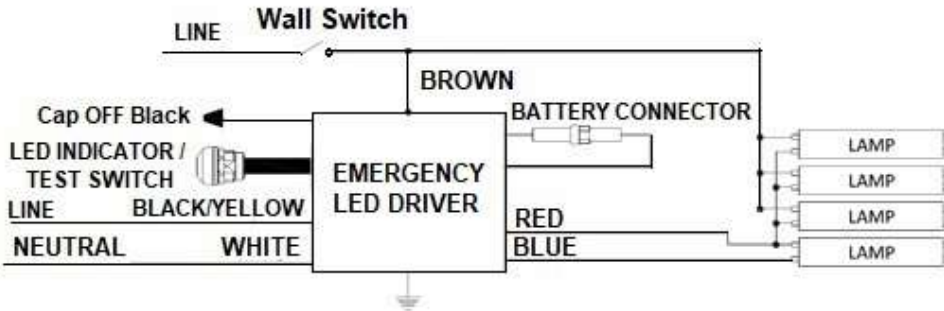
For Use with AC Driver 5A Max Current and with **4.5W to 23W** Non-Dimmable Type B LED Lamps & Dimmable Single-ended Triac Phase Cut. **Input Voltage for Type B LED Lamps must be 120V-277VAC.**

**BEM10W170128PE14**

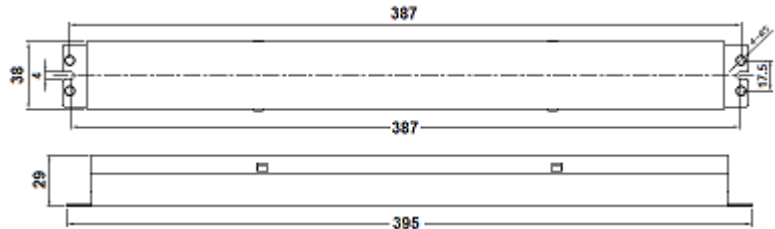
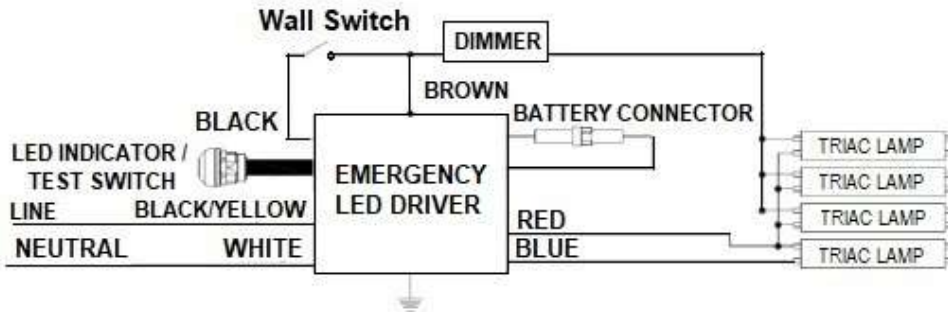
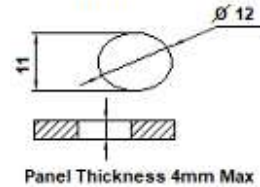
Page ...2



Lead Length		
Colour	inch	cm
Black	6	15.2
White	6	15.2
Black/Yellow	6	15.2
Red	6	15.2
Blue	6	15.2
Brown	6	15.2
Battery Connector	37	94
Test Switch	7	18
LED Indicator	23	60



LED INDICATOR / TEST SWITCH MOUNTING DIMENSIONS



Case Size Series E14L

L	W	H	ML
395	38	29	387mm
15.5	1.49	1.14	15.23inch

**WARNING:** Always Disconnect Power Before Handling. Case Should be Grounded. Install in Accordance with National and Local Electrical Codes

# 120V-277V TYPE B LED LAMP EMERGENCY DRIVER

## Output Voltage 40V to 180VDC Constant Power Max 10W

For Use with AC Driver 5A Max Current and with **4.5W to 23W** Non-Dimmable Type B LED Lamps & Dimmable Single-ended Triac Phase Cut. **Input Voltage for Type B LED Lamps must be 120V-277VAC.**

Universal Voltage 120-277V Electronic LED Emergency Constant Power Driver with **Factory-wired** Test Switch/ Indicator, Face Plate & Battery End Connectors for **easy** installation. Output Range of 40V to 180V for 10W maximum. All Specifications are nominal unless otherwise noted.

### Technical Specification:

FCC Part 15 Class A UL924, CSA C22.2 No. 141-15, Meets CEC Title 20 Standards, ROHS Compliant

Rating: IP30. Battery Type/Model Number: Lithium LiFePO4, 12.8V, 1800mAh

Remote Wiring Distance Full Load: 18AWG -18 ft Operating Ambient Temp 0-50C



Case Size: EM1

Due to continuing efforts to offer improved products all specifications are subject to change without prior notice

Emergency Operating Duration	Input Watts Max	Input Current Max	Battery			Output Current	LED Load Type B Max	Output Voltage DC	MODEL
			Charge Current	Charge Voltage	Charge Time Max				
90 Minutes	11W	140mA	200mA	12.8V	24 hrs	Load Dependent	10W	40-180V	BEM10W170128P

#### LIMITED WARRANTY

5 YEAR at maximum case temperature 60 deg C. 3 YEAR at maximum case temperature 66 deg C. 3 YEAR for battery. Manufacturer warrants to the purchaser: Product will be free from defects in material or workmanship from the date of manufacture conditioned upon proper storage, installation, use, and maintenance and conformance with any recommendations of Manufacturer.

#### Features and Applications - ALL LED Lamps mentioned below are UL Type B with Input Voltage 120V-277V

- Provides back-up power to drive the existing Non-dimmable Type B 4.5W-23W LED Lamps.
- Also drives single-ended Triac phase cut dimmable Type B 4.5W-23W LED lamps.
- Delivers Constant Power 10W during emergency status to the LED lamps with Input Voltage 120-277V.
- Delivers to the LED Lamp the same Constant Power 10W when driving lamp rated less or more than 10W.
- Over Load/Short Circuit Auto Recovery.
- Shut down mode, re-power on to recover during over temperature condition
- Compatible with switched or unswitched fixtures

#### This Driver is Compatible Strictly with 120V-277V Input Voltage UL Type B LED Lamps listed below:

Brand	Lamp Model No for: Input Voltage 120-277VAC ONLY	Power Watt @120VAC/60Hz	Emergency Output			
			Voltage (VDC)	Current (A)	Power (W)	Light up
Adata	AL-TBT8-4G-18W30	18.5	81.5	0.124	10.1	Y
Apmcomm	TL280-60-1196-G1/277 20W	21.8	87.7	0.115	10.1	
Everlight	865CNS-GD4	17.2	89.0	0.113	10.1	Y
Everlight	830CNS-GD4	18.2	88.8	0.113	10.0	Y
Forest Lighting	MT8S69	17.7	75.9	0.133	10.1	Y
Forest Lighting	MT8W69	17.9	79.5	0.127	10.1	Y
High Light	HL-N60C209X	8.9	170.9	0.052	8.8	Y
High Light	HL-412020WD	19.7	79.1	0.127	10.0	Y
Listar	LS-BTUBE18NW	19.4	87.4	0.115	10.1	Y
MaxLite	L9T8SE250-G	8.8	170.9	0.050	8.5	Y
MaxLite	L13T8SE450-GB	13.0	56.9	0.177	10.1	Y
Osram	LVT8E-0.6m-9W-865	9.5	85.8	0.117	10.0	Y
Osram	LVT8E-1.2m-18W-865	19.5	77.6	0.130	10.1	Y
Philips	9290013076A	8.4	170.9	0.049	8.4	Y
Philips	929002468015	19.1	76.6	0.132	10.1	Y
Toshiba	REC-LED-5W/HL/A55	4.9	171.0	0.029	5.0	Y
Toshiba	REC-LED-14W/HD/A70	13.2	84.5	0.120	10.1	Y
Trunk	LT8TR203LG	18.4	88.7	0.113	10.0	Y
Trunk	LT8TR203DG	18.5	81.8	0.123	10.1	Y
TOA	LTU010-20AAL S	19.1	76.3	0.132	10.1	Y
TOA	LTU010-20AAD E	19.6	79.6	0.127	10.1	Y
TLW	5101-01-0075-3DC0102	7.5	171.0	0.042	7.2	Y
TLW	T54J-20-30A	19.8	72.7	0.139	10.1	Y

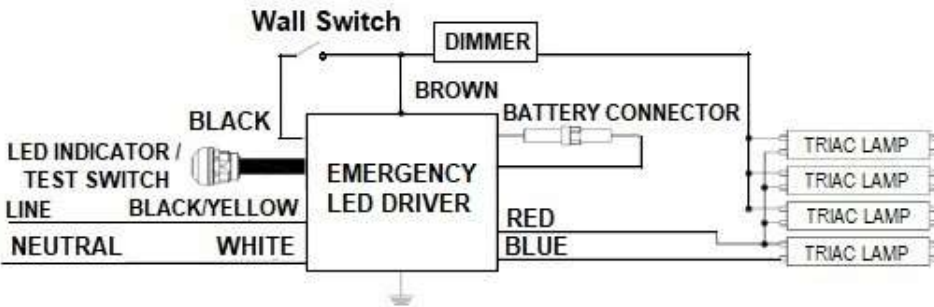
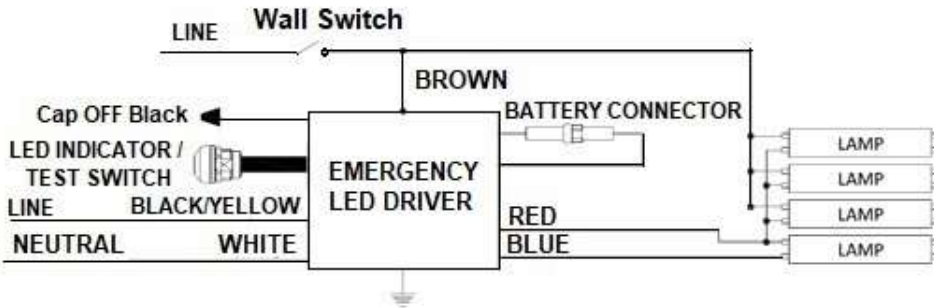
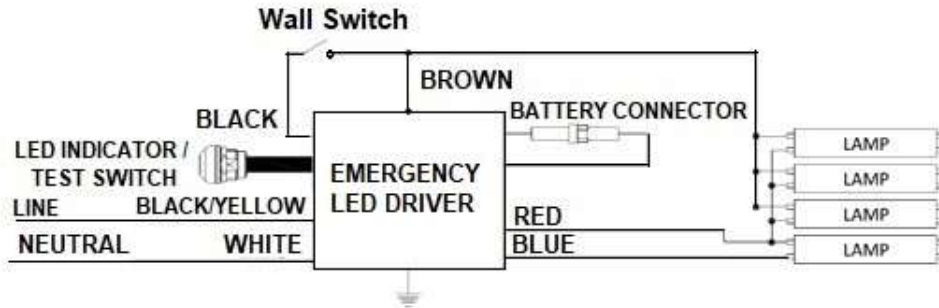
# 120V-277V TYPE B LED LAMP EMERGENCY DRIVER

Output Voltage 40V to 180VDC Constant **Power Max 10W**

For Use with AC Driver 5A Max Current and with **4.5W to 23W** Non-Dimmable Type B LED Lamps & Dimmable Single-ended Triac Phase Cut. **Input Voltage for Type B LED Lamps must be 120V-277VAC.**

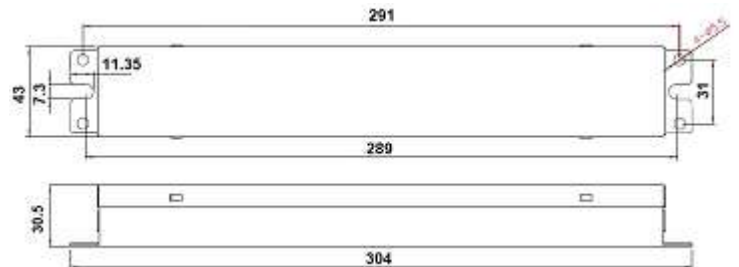
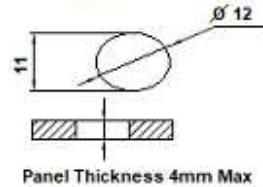
**BEM10W170128P**

Page ...2



Lead Length		
Colour	inch	cm
Black	6	15.2
White	6	15.2
Black/Yellow	6	15.2
Red	6	15.2
Blue	6	15.2
Brown	6	15.2
Battery Connector	37	94
Test Switch	7	18
LED Indicator	23	60

LED INDICATOR / TEST SWITCH MOUNTING DIMENSIONS



Case Size Series EM1

L	W	H	ML
304	43	30.5	289mm
11.97	1.7	1.2	11.38inch

**WARNING:** Always Disconnect Power Before Handling. Case Should be Grounded. Install in Accordance with National and Local Electrical Codes



# 120V-277V TYPE B LED LAMP EMERGENCY DRIVER

## Output Voltage 40V to 180VDC Constant Power Max 10W

For Use with AC Driver 5A Max Current and with **4.5W to 23W** Non-Dimmable Type B LED Lamps & Dimmable Single-ended Triac Phase Cut. **Input Voltage for Type B LED Lamps must be 120V-277VAC.**

Universal Voltage 120-277V Electronic LED Emergency Constant Power Driver with **Factory-wired** Test Switch/ Indicator, Face Plate **Single Flexible Metal Conduit**. Output Range of 40V to 180V for 10W maximum. All Specifications are nominal unless otherwise noted.

### Technical Specification:

FCC Part 15 Class A UL924, CSA C22.2 No. 141-15, Meets CEC Title 20 Standards, ROHS Compliant  
 Rating: IP30. Battery Type/Model Number: Lithium LiFePO4, 12.8V, 1800mAh  
 Remote Wiring Distance Full Load: 18AWG -18 ft Operating Ambient Temp 0-50C



Case Size: EM

Due to continuing efforts to offer improved products all specifications are subject to change without prior notice

Emergency Operating Duration	Input Watts Max	Input Current Max	Battery			Output Current	LED Load Type B Max	Output Voltage DC	MODEL
			Charge Current	Charge Voltage	Charge Time Max				
90 Minutes	11W	140mA	200mA	12.8V	24 hrs	Load Dependent	10W	40-180V	BEM10W170128P1FT

#### LIMITED WARRANTY

5 YEAR at maximum case temperature 60 deg C. 3 YEAR at maximum case temperature 66 deg C. 3 YEAR for battery. Manufacturer warrants to the purchaser: Product will be free from defects in material or workmanship from the date of manufacture conditioned upon proper storage, installation, use, and maintenance and conformance with any recommendations of Manufacturer.

#### Features and Applications - ALL LED Lamps mentioned below are UL Type B with Input Voltage 120V-277V

- Provides back-up power to drive the existing Non-dimmable Type B 4.5W-23W LED Lamps.
- Also drives single-ended Triac phase cut dimmable Type B 4.5W-23W LED lamps.
- Delivers Constant Power 10W during emergency status to the LED lamps with Input Voltage 120-277V.
- Delivers to the LED Lamp the same Constant Power 10W when driving lamp rated less or more than 10W.
- Over Load/Short Circuit Auto Recovery.
- Shut down mode, re-power on to recover during over temperature condition
- Compatible with switched or unswitched fixtures

#### This Driver is Compatible Strictly with 120V-277V Input Voltage UL Type B LED Lamps listed below:

Brand	Lamp Model No: Input Voltage 120-277VAC	Power Watt @120VAC/60Hz	Emergency Output			Light up
			Voltage (VDC)	Current (A)	Power (W)	
Adata	AL-TBT8-4G-18W30	18.5	81.5	0.124	10.1	Y
Apmcomm	TL280-60-1196-G1/277 20W	21.8	87.7	0.115	10.1	
Everlight	865CNS-GD4	17.2	89.0	0.113	10.1	Y
Everlight	830CNS-GD4	18.2	88.8	0.113	10.0	Y
Forest Lighting	MT8S69	17.7	75.9	0.133	10.1	Y
Forest Lighting	MT8W69	17.9	79.5	0.127	10.1	Y
High Light	HL-N60C209X	8.9	170.9	0.052	8.8	Y
High Light	HL-412020WD	19.7	79.1	0.127	10.0	Y
Listar	LS-BTUBE18NW	19.4	87.4	0.115	10.1	Y
MaxLite	L9T8SE250-G	8.8	170.9	0.050	8.5	Y
MaxLite	L13T8SE450-GB	13.0	56.9	0.177	10.1	Y
Osram	LVT8E-0.6m-9W-865	9.5	85.8	0.117	10.0	Y
Osram	LVT8E-1.2m-18W-865	19.5	77.6	0.130	10.1	Y
Philips	9290013076A	8.4	170.9	0.049	8.4	Y
Philips	929002468015	19.1	76.6	0.132	10.1	Y
Toshiba	REC-LED-5W/HL/A55	4.9	171.0	0.029	5.0	Y
Toshiba	REC-LED-14W/HD/A70	13.2	84.5	0.120	10.1	Y
Trunk	LT8TR203LG	18.4	88.7	0.113	10.0	Y
Trunk	LT8TR203DG	18.5	81.8	0.123	10.1	Y
TOA	LTU010-20AAL S	19.1	76.3	0.132	10.1	Y
TOA	LTU010-20AAD E	19.6	79.6	0.127	10.1	Y
TLW	5101-01-0075-3DC0102	7.5	171.0	0.042	7.2	Y
TLW	T54J-20-30A	19.8	72.7	0.139	10.1	Y

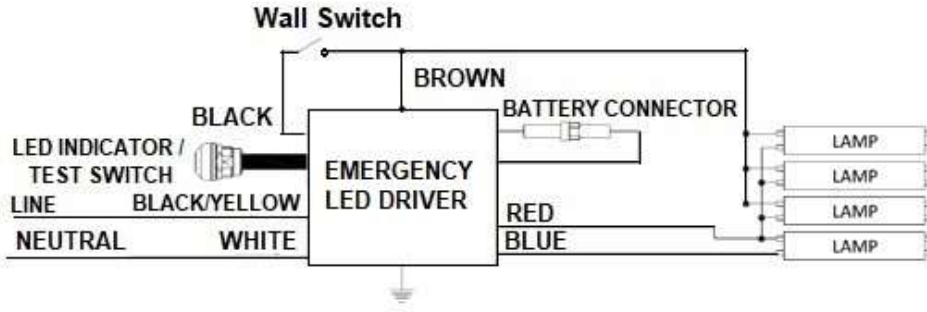
# 120V-277V TYPE B LED LAMP EMERGENCY DRIVER

Output Voltage 40V to 180VDC Constant **Power Max 10W**

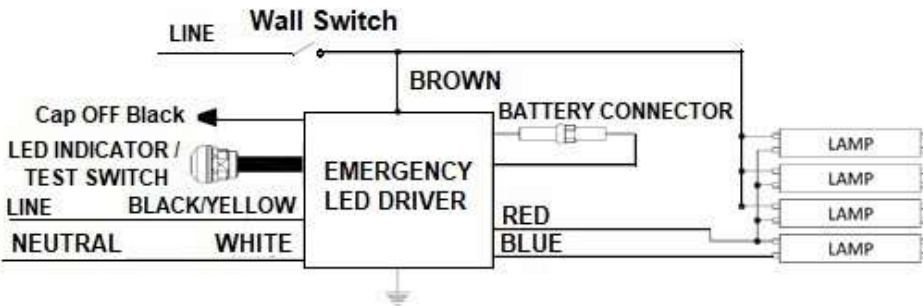
For Use with AC Driver 5A Max Current and with **4.5W to 23W** Non-Dimmable Type B LED Lamps & Dimmable Single-ended Triac Phase Cut. **Input Voltage for Type B LED Lamps must be 120V-277VAC.**

**BEM10W170128P1FT**

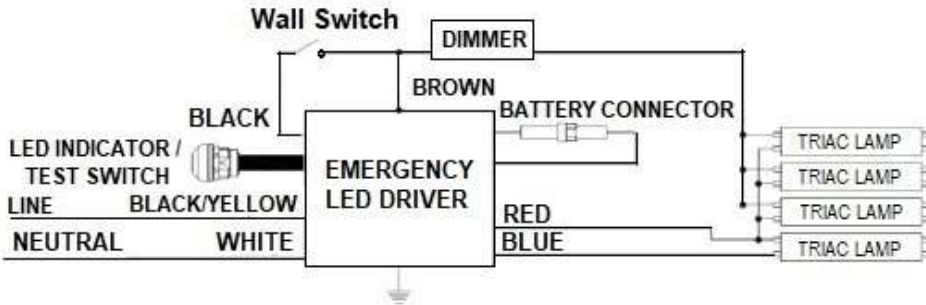
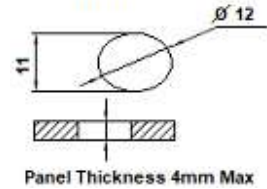
Page ...2



Lead Length		
Colour	inch	cm
Black	30	75
White	30	75
Black/Yellow	30	75
Red	30	75
Blue	30	75
Brown	30	75
Battery Connector	37	94
Test Switch	25	63
LED Indicator	6	15

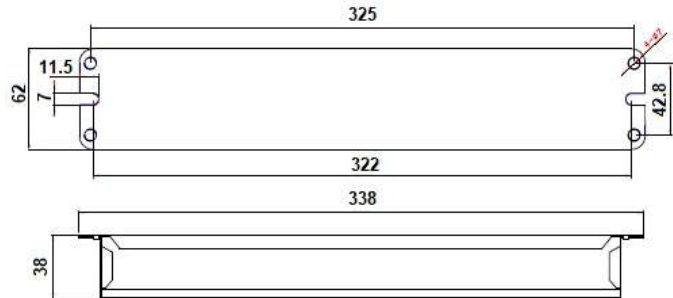


LED INDICATOR / TEST SWITCH MOUNTING DIMENSIONS



Case Size Series EM

L	W	H	ML
338	62	38	322mm
13.3	2.44	1.49	12.68inch



**WARNING:** Always Disconnect Power Before Handling. Case Should be Grounded. Install in Accordance with National and Local Electrical Codes

# 120V-347V 2-HOUR LED EMERGENCY DRIVER

Output Voltage 15V to 55V Constant **Power 670-180mA Max 10W**

**Ultra Slim** For Use with AC Driver and LED Module with 15-55V Output

120-347V Electronic LED Emergency Constant **Power** Driver with **Factory-wired** Test Switch/Indicator, Face Plate & Battery End Connectors for **easy** installation. Output Range of 15V to 55V for 10W maximum. All Specifications are nominal unless otherwise noted.

## Technical Specification:

FCC Part 15 Class A UL924, CSA C22.2 No. 141-15, Meets CEC Title 20 Standards, ROHS Compliant

Rating: IP30. Battery Type/Model Number: Lithium LiFePO4 6.4V 4000mAh

Remote Wiring Distance Full Load: 18AWG -18 ft

For Installation inside an Electrical Enclosure. Operating Ambient Temp 0-55C



Case Size: EM4

Due to continuing efforts to offer improved products all specifications are subject to change without prior notice

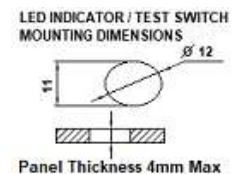
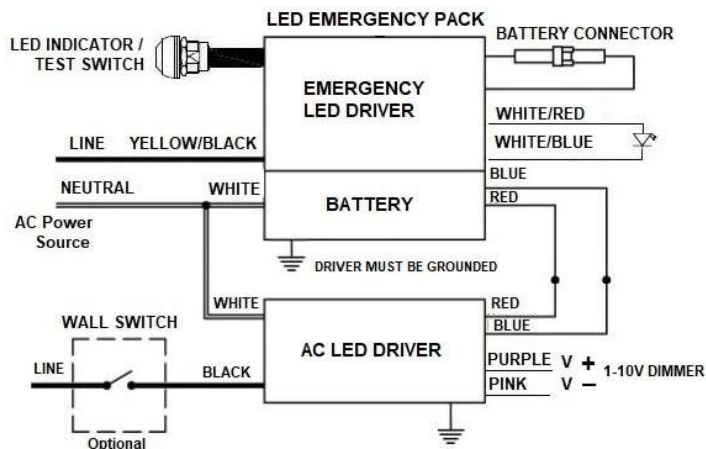
Emergency Operating Duration	Input Current Max	Input Watts Max	Battery Charge Current	Battery Voltage	Battery Charge Time Max	Output Watts Max	Rated Output Current mA Min - Max	Output Voltage Min - Max	MODEL
120 Minutes	110mA	8W	185mA	6.4V	24 hours	10W	180-670mA	15 to 55V	CEM10W1555B64P2EM4

### LIMITED WARRANTY

5 YEAR at maximum case temperature 60 deg C. 3 YEAR at maximum case temperature 66 deg C. 3 YEAR for battery. Manufacturer warrants to the purchaser: Product will be free from defects in material or workmanship from the date of manufacture conditioned upon proper storage, installation, use, and maintenance and conformance with any recommendations of Manufacturer

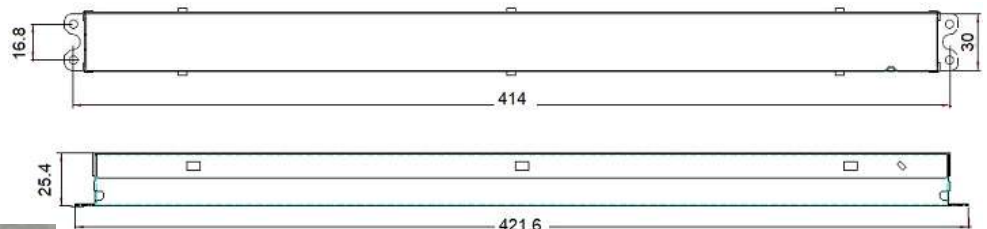
### Lead Length

Colour	inch	cm
White	6	15.2
Blue	6	15.2
Red	6	15.2
Yellow/Black	6	15.2
White/Red	6	15.2
White/Blue	6	15.2
Battery Connector	33	84
Test Switch	7	18
LED Indicator	23	60



### Case Size Series EM4

L	W	H	ML
421.6	30	25.4	414mm
16.6	1.18	1.0	16.3inch



**WARNING:** Always Disconnect Power Before Handling. Case Should be Grounded. Install in Accordance with National and Local Electrical Codes

901 - 3rd Street West, North Vancouver, BC V7P 3P9 Canada

TEL: 604-904-9533

www.sagedrivers.com www.sagelighting.com





# DIRECT WIRE EMERGENCY LED DRIVER

Output Voltage 120VDC to 180VDC Constant **Power** Max **10W**

Strictly For Use with AC Driver Input Voltage 120V-277V & 5A Current Max

Universal Voltage 120-277V Electronic LED Emergency Constant **Power** Driver with **Factory-wired** Test Switch/ Indicator, Face Plate for **easy** installation. Output Range of 120VDC to 180VDC for 10W maximum. All Specifications are nominal unless otherwise noted.

## Technical Specification:

FCC Part 15 Class A UL924, CSA C22.2 No. 141-15, Meets CEC Title 20 Standards, ROHS Compliant

Rating: IP30. Battery Type/Model Number: Lithium LiFePO4, 12.8V, 1800mAh

Remote Wiring Distance Full Load: 18AWG -18 ft

For Installation inside an Electrical Enclosure. Operating Ambient Temp 0-55C

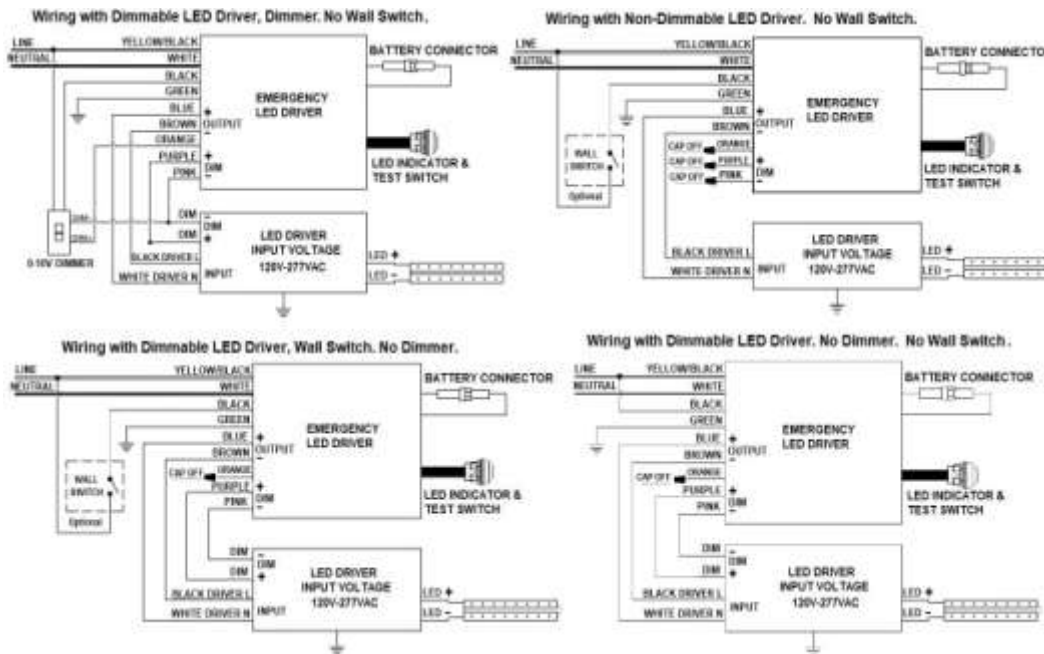


Case Size: EM1

Emergency Operating Duration	Input Watts Max	Input Current Max	Battery			Output Current	Output Watt	Output Voltage DC	MODEL
			Charge Current	Charge Voltage	Charge Time Max				
90 Minutes	11W	140mA	120mA	12.8V	24 hrs	59mA	10W	120 to 180V	<b>DEM10W170128P</b>

### LIMITED WARRANTY

5 YEAR at maximum case temperature 60 deg C. 3 YEAR at maximum case temperature 66 deg C. 3 YEAR for battery. Manufacturer warrants to the purchaser: Product will be free from defects in material or workmanship from the date of manufacture conditioned upon proper storage, installation, use, and maintenance and conformance with any recommendations of Manufacturer.



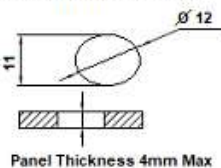
### Lead Length

Colour	inch	cm
Black	6	15
White	6	15
Yellow/Black	6	15
Green	6	15
Blue	6	15
Brown	6	15
Orange	6	15
Purple	6	15
Pink	6	15
Battery Connector	33	84
Test Switch	25	63
LED Indicator	6	15

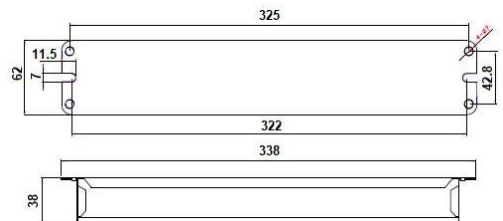
### Case Size Series EM1

L	W	H	ML
304	43	30.5	289mm
11.97	1.7	1.2	11.38inch

### LED INDICATOR / TEST SWITCH MOUNTING DIMENSIONS



**WARNING:** Always Disconnect Power Before Handling. Case Should be Grounded. Install in Accordance with National and Local Electrical Codes



# DIRECT WIRE EMERGENCY LED DRIVER

Output Voltage 120VDC to 180VDC Constant **Power Max 10W**

Strictly For Use with AC Driver Input Voltage 120V-277V & 5A Current Max

Universal Voltage 120-277V Electronic LED Emergency Constant **Power** Driver with **Factory-wired** Test Switch/ Indicator, Face Plate & **Single Flexible Metal Conduit**. Output Range of 120VDC to 180VDC for 10W maximum. All Specifications are nominal unless otherwise noted.

## Technical Specification:

FCC Part 15 Class A UL924, CSA C22.2 No. 141-15, Meets CEC Title 20 Standards, ROHS Compliant  
 Rating: IP30. Battery Type/Model Number: Lithium LiFePO4, 12.8V, 1800mAh  
 Remote Wiring Distance Full Load: 18AWG -18 ft Operating Ambient Temp 0-50C



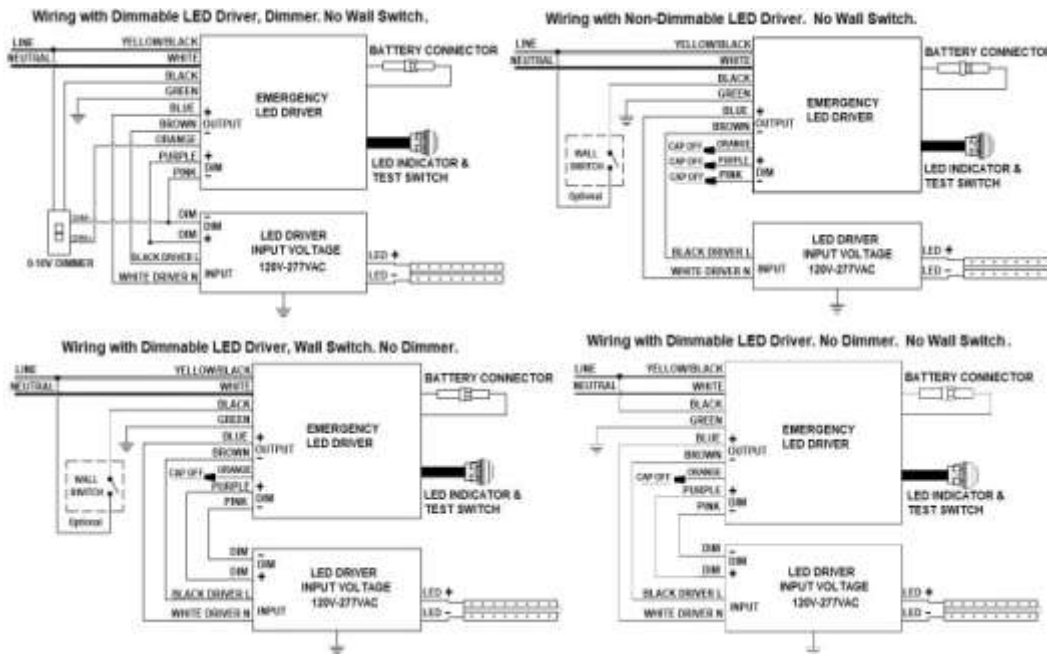
Case Size: EM1

Due to continuing efforts to offer improved products all specifications are subject to change without prior notice

Emergency Operating Duration	Input Watts Max	Input Current Max	Battery			Output Current	Output Watt	Output Voltage DC	MODEL
			Charge Current	Charge Voltage	Charge Time Max				
90 Minutes	11W	140mA	120mA	12.8V	24 hrs	59mA	10W	120 to 180V	DEM10W170128P1FT

### LIMITED WARRANTY

5 YEAR at maximum case temperature 60 deg C. 3 YEAR at maximum case temperature 66 deg C. 3 YEAR for battery. Manufacturer warrants to the purchaser: Product will be free from defects in material or workmanship from the date of manufacture conditioned upon proper storage, installation, use, and maintenance and conformance with any recommendations of Manufacturer.

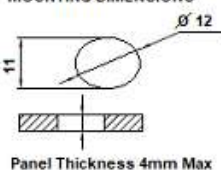


### Lead Length

Colour	inch	cm
Black	30	78
White	30	78
Yellow/Black	30	78
Green	30	78
Blue	30	78
Brown	30	78
Purple	30	78
Pink	30	78
Battery Connector	37	94
Test Switch	25	63
LED Indicator	6	15.2



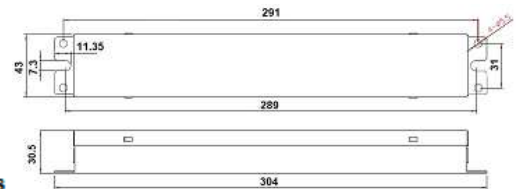
### LED INDICATOR / TEST SWITCH MOUNTING DIMENSIONS



### Case Size Series EM1

L	W	H	ML
304	43	30.5	289mm
11.97	1.7	1.2	11.38inch

**WARNING:** Always Disconnect Power Before Handling. Case Should be Grounded. Install in Accordance with National and Local Electrical Codes



# DIRECT WIRE EMERGENCY LED DRIVER

Output Voltage 120VDC to 180VDC Constant **Power** Max **20W**

Strictly For Use with AC Driver Input Voltage 120V-277V & 5A Current Max

Universal Voltage 120-277V Electronic LED Emergency Constant **Power** Driver with **Factory-wired** Test Switch/ Indicator, Face Plate for **easy** installation. Output Range of 120VDC to 180VDC for 20W maximum. All Specifications are nominal unless otherwise noted.

## Technical Specification:

FCC Part 15 Class A UL924, CSA C22.2 No. 141-15, Meets CEC Title 20 Standards, ROHS Compliant

Rating: IP30. Battery Type/Model Number: Lithium LiFePO4, 12.8V, 3600mAh

Remote Wiring Distance Full Load: 18AWG -18 ft

For Installation inside an Electrical Enclosure. Operating Ambient Temp 0-50C

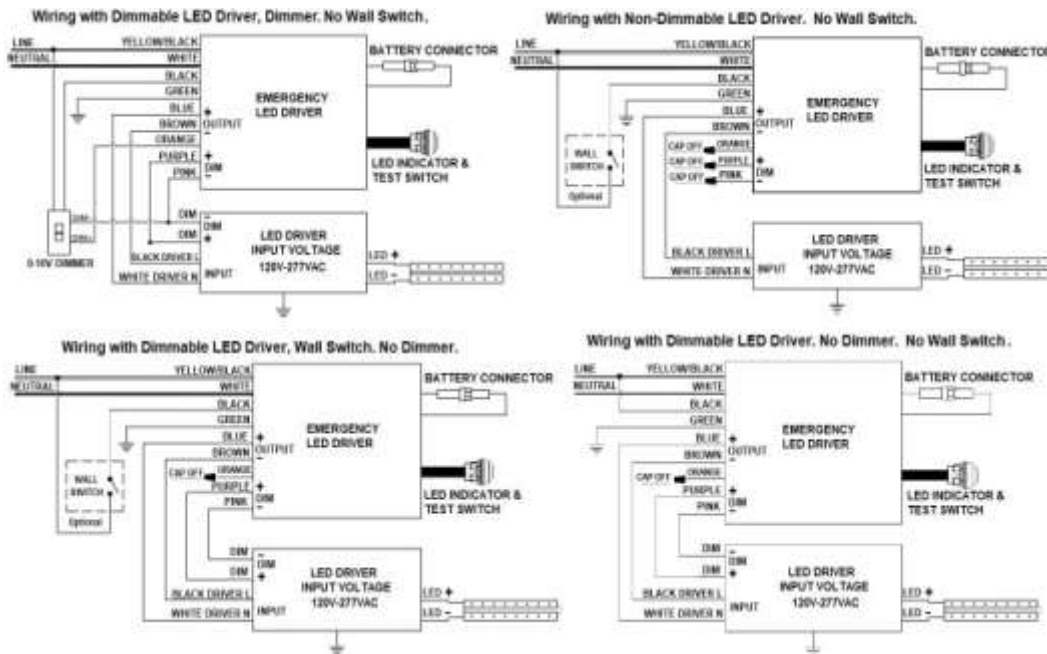


Case Size: EM

Emergency Operating Duration	Input Watts Max	Input Current Max	Battery			Output Current	Output Watt	Output Voltage DC	MODEL
			Charge Current	Charge Voltage	Charge Time Max				
90 Minutes	9W	140mA	200mA	12.8V	24 hrs	120mA	20W	120 to 180V	<b>DEM20W170128P</b>

### LIMITED WARRANTY

5 YEAR at maximum case temperature 60 deg C. 3 YEAR at maximum case temperature 66 deg C. 3 YEAR for battery. Manufacturer warrants to the purchaser: Product will be free from defects in material or workmanship from the date of manufacture conditioned upon proper storage, installation, use, and maintenance and conformance with any recommendations of Manufacturer.



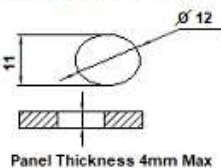
### Lead Length

Colour	inch	cm
Black	6	15
White	6	15
Yellow/Black	6	15
Green	6	15
Blue	6	15
Brown	6	15
Orange	6	15
Purple	6	15
Pink	6	15
Battery Connector	33	84
Test Switch	25	63
LED Indicator	6	15

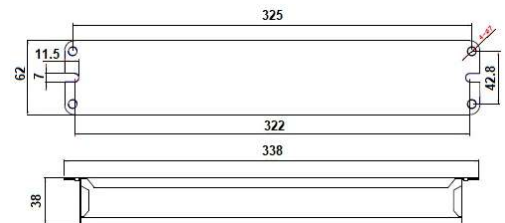
### Case Size Series EM

L	W	H	ML
338	62	38	322mm
13.3	2.44	1.49	12.68inch

### LED INDICATOR / TEST SWITCH MOUNTING DIMENSIONS



**WARNING:** Always Disconnect Power Before Handling. Case Should be Grounded. Install in Accordance with National and Local Electrical Codes



# DIRECT WIRE EMERGENCY LED DRIVER

Output Voltage 120VDC to 180VDC Constant **Power Max 20W**

Strictly For Use with AC Driver Input Voltage 120V-277V & 5A Current Max

Universal Voltage 120-277V Electronic LED Emergency Constant **Power** Driver with Factory-wired Test Switch/ Indicator, Face Plate, **Flexible Metal Conduit**. Output Range of 120VDC to 180VDC for 20W maximum. All Specifications are nominal unless otherwise noted.

## Technical Specification:

FCC Part 15 Class A UL924, CSA C22.2 No. 141-15, Meets CEC Title 20 Standards, ROHS Compliant

Rating: IP30. Battery Type/Model Number: Lithium LiFePO4, 12.8V, 3600mAh

Remote Wiring Distance Full Load: 18AWG -18 ft Operating Ambient Temp 0-50C

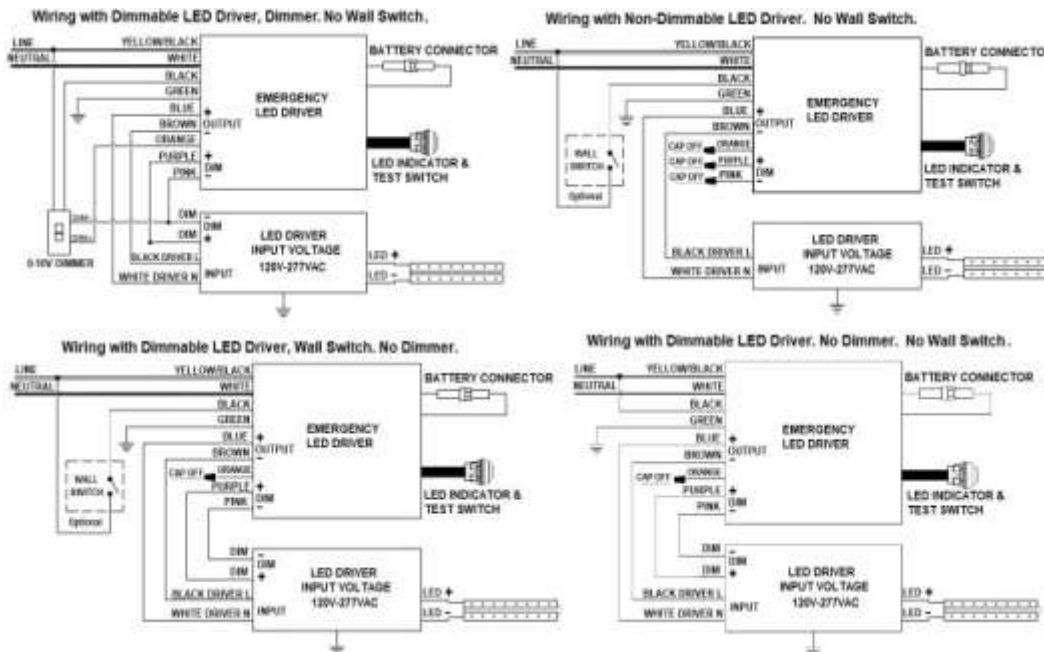


Case Size: EM

Emergency Operating Duration	Input Watts Max	Input Current Max	Battery			Output Current	Output Watt	Output Voltage DC	MODEL
			Charge Current	Charge Voltage	Charge Time Max				
90 Minutes	9W	140mA	180mA	12.8V	24 hrs	120mA	20W	120-180V	DEM20W170128PFT

### LIMITED WARRANTY

5 YEAR at maximum case temperature 60 deg C. 3 YEAR at maximum case temperature 66 deg C. 3 YEAR for battery. Manufacturer warrants to the purchaser: Product will be free from defects in material or workmanship from the date of manufacture conditioned upon proper storage, installation, use, and maintenance and conformance with any recommendations of Manufacturer.



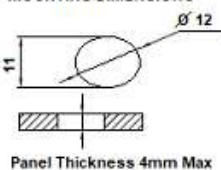
### Lead Length

Colour	inch	cm
Black	30	78
White	30	78
Yellow/Black	30	78
Green	30	78
Blue	30	78
Brown	30	78
Purple	30	78
Pink	30	78
Battery Connector	37	94
Test Switch	25	63
LED Indicator	6	15.2

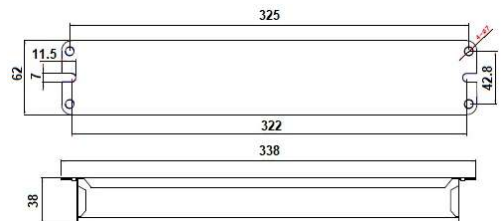
### Case Size Series EM

L	W	H	ML
338	62	38	322mm
13.3	2.44	1.49	12.68inch

### LED INDICATOR / TEST SWITCH MOUNTING DIMENSIONS



**WARNING:** Always Disconnect Power Before Handling. Case Should be Grounded. Install in Accordance with National and Local Electrical Codes





# 120V-347V LED EMERGENCY DRIVER **REMOTE** BATTERY

## Output Voltage 15V to 55V Constant **Power** 670-180mA **Max 10W**

For Use with AC Driver and LED Module with 15-55V Output

Multi Voltage 120-347V Electronic LED Emergency Constant **Power** Driver with **Remote** Battery and **Factory-wired** Test Switch/ Indicator, Face Plate & Battery End Connectors for **easy** installation. Output Range of 15V to 55V for 10W maximum. All Specifications are nominal unless otherwise noted.

### Technical Specification:

FCC Part 15 Class A UL924, CSA C22.2 No. 141-15, Meets CEC Title 20 Standards, ROHS Compliant  
 Rating: IP30. Battery Type/Model Number: Lithium LiFePO4 6.4V 3300mAh  
 Emergency Pack & Battery Max Mounting Distance 30 inch  
 Remote Battery Connector Max Wiring Distance 50ft  
 Remote Wiring Distance Full Load: 18AWG -18 ft  
 For Installation inside an Electrical Enclosure. Operating Ambient Temp 0-55C



Case Size: C1U B1

Due to continuing efforts to offer improved products all specifications are subject to change without prior notice

Emergency Operating Duration	Input Watts Max	Input Current Max	Battery			Output Current Max	Output Watts Max	Output Voltage	MODEL
			Charge Current	Charge Voltage	Charge Time				
90 Minutes	8W	110mA	185mA	6.4V	24 hrs	180-670mA	10W	15 to 55V	CEM10W1555B64PX

#### LIMITED WARRANTY

5 YEAR at maximum case temperature 60 deg C. 3 YEAR at maximum case temperature 66 deg C. 3 YEAR for battery. Manufacturer warrants to the purchaser: Product will be free from defects in material or workmanship from the date of manufacture conditioned upon proper storage, installation, use, and maintenance and conformance with any recommendations of Manufacturer

#### Lead Length

Colour	inch	cm
White	6	15.2
Blue	6	15.2
Red	6	15.2
Yellow/Black	6	15.2
White/Red	6	15.2
White/Blue	6	15.2
Battery Case Connector Wire /	2.7	7
Emergency Connector Wire	12.6	32
Test Switch / LED Indicator	7/23	18 /60

#### Case Size Series C1U

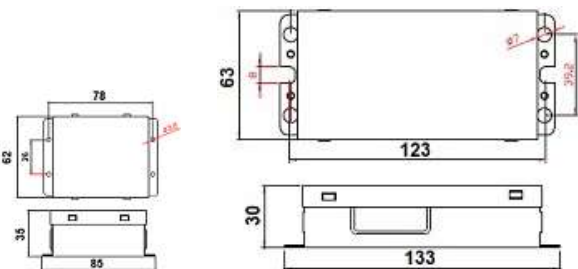
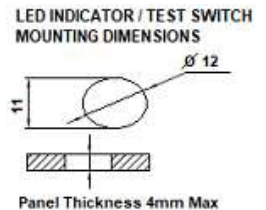
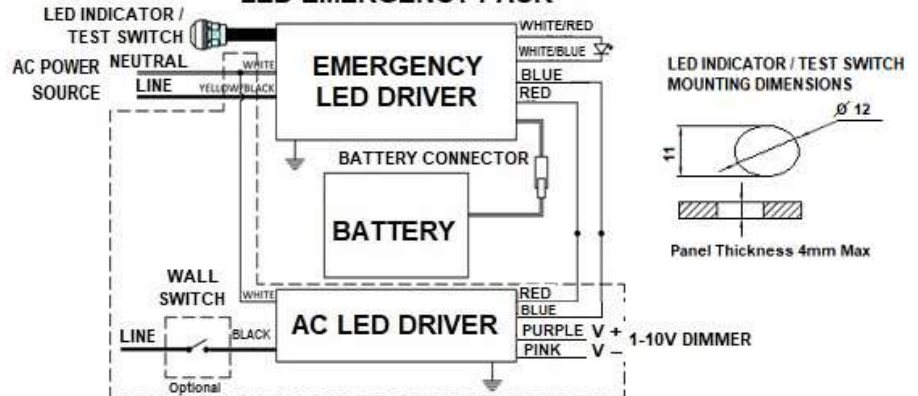
L	W	H	ML
133	63	30	123mm
5.23	2.48	1.18	4.84inch

#### Case Size Series B1

L	W	H	ML
85	62	35	78mm
3.35	2.4	1.38	3.07inch



#### LED EMERGENCY PACK



**WARNING:** Always Disconnect Power Before Handling. Case Should be Grounded. Install in Accordance with National and Local Electrical Codes

# 120V-347V LED EMERGENCY DRIVER **REMOTE BATTERY**

Output Voltage 15V to 55V Constant **Power 1060-290mA Max 16W**

For Use with AC Driver and LED Module with 15-55V Output

Multi Voltage 120-347V Electronic LED Emergency Constant **Power** Driver with **Remote Battery** and **Factory-wired** Test Switch/ Indicator, Face Plate & Battery End Connectors for **easy** installation. Output Range of 15V to 55V for 16W maximum. All Specifications are nominal unless otherwise noted.

## Technical Specification:

FCC Part 15 Class A UL924, CSA C22.2 No. 141-15 , Meets CEC Title 20 Standards, ROHS Compliant

Rating: IP30. Battery Type/Model Number: Lithium LiFePO4, 9.6V, 3600mAh

Emergency Pack & Battery Max Mounting Distance 30 inch

Remote Battery Connector Max Wiring Distance 50ft

Remote Wiring Distance Full Load: 18AWG -18 ft

For Installation inside an Electrical Enclosure. Operating Ambient Temp 0-55C



Case Size: C1U B2

Due to continuing efforts to offer improved products all specifications are subject to change without prior notice

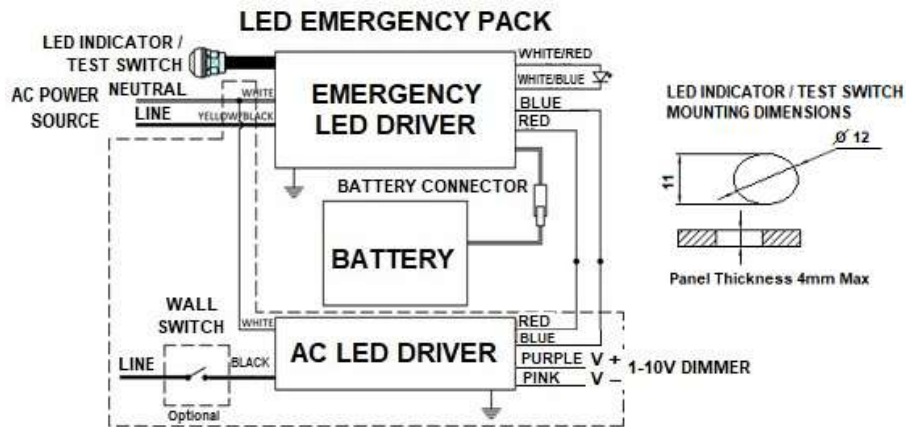
Emergency Operating Duration	Input Watts Max	Input Current Max	Battery			Output Current Max	Output Watts Max	Output Voltage	MODEL
			Charge Current	Charge Voltage	Charge Time				
90 Minutes	11W	130mA	350mA	9.6V	24 hrs	290-1060mA	16W	15 to 55V	CEM16W1555B96PX

### LIMITED WARRANTY

5 YEAR at maximum case temperature 60 deg C. 3 YEAR at maximum case temperature 66 deg C. 3 YEAR for battery. Manufacturer warrants to the purchaser: Product will be free from defects in material or workmanship from the date of manufacture conditioned upon proper storage, installation, use, and maintenance and conformance with any recommendations of Manufacturer

### Lead Length

Colour	inch	cm
White	6	15.2
Blue	6	15.2
Red	6	15.2
Yellow/Black	6	15.2
White/Red	6	15.2
White/Blue	6	15.2
Battery Case Connector Wire /	2.7	7
Emergency Connector Wire	12.6	32
Test Switch / LED Indicator	7/23	18 /60

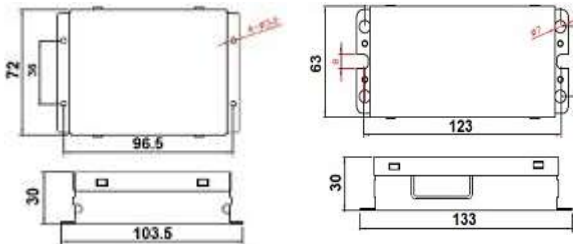


### Case Size Series C1U

L	W	H	ML
133	63	30	123mm
5.23	2.48	1.18	4.84inch

### Case Size Series B2

L	W	H	ML
104	72	30	96.5mm
4.07	2.8	1.18	3.8inch



**WARNING:** Always Disconnect Power Before Handling. Case Should be Grounded. Install in Accordance with National and Local Electrical Codes

# 120V-347V LED EMERGENCY DRIVER **REMOTE** BATTERY

Output Voltage 15V to 55V Constant **Power 1350-360mA Max 20W**

For Use with AC Driver and LED Module with 15-55V Output

Multi Voltage 120-347V Electronic LED Emergency Constant **Power** Driver with **Remote** Battery and **Factory-wired** Test Switch/ Indicator, Face Plate & Battery End Connectors for **easy** installation. Output Range of 15V to 55V for 20W maximum. All Specifications are nominal unless otherwise noted.

## Technical Specification:

FCC Part 15 Class A UL924, CSA C22.2 No. 141-15, Meets CEC Title 20 Standards, ROHS Compliant

Rating: IP30. Battery Type/Model Number: Lithium LiFePO4, 9.6V, 4600mAh

Emergency Pack & Battery Max Mounting Distance 16 inch

Remote Battery Connector Max Wiring Distance 50ft

Remote Wiring Distance Full Load: 18AWG -18 ft

For Installation inside an Electrical Enclosure. Operating Ambient Temp 0-55C



Case Size: C1U FS3

Due to continuing efforts to offer improved products all specifications are subject to change without prior notice

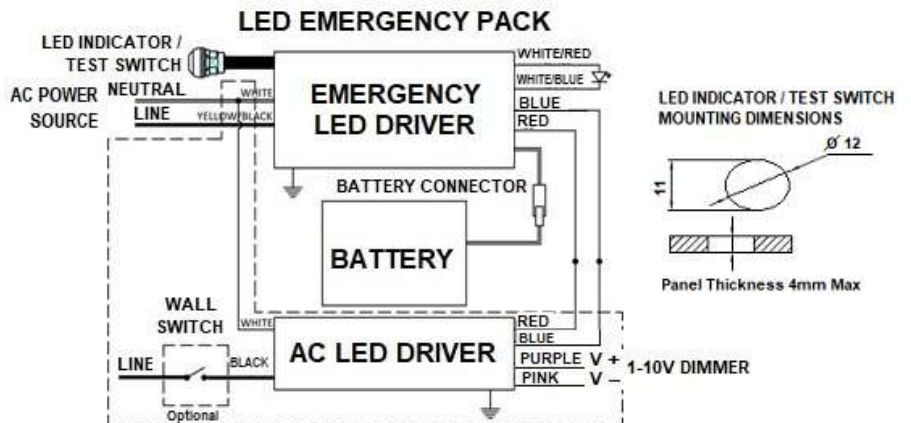
Emergency Operating Duration	Input Watts Max	Input Current Max	Battery			Output Current Max	Output Watts Max	Output Voltage	MODEL
			Charge Current	Charge Voltage	Charge Time				
90 Minutes	11W	130mA	450mA	9.6V	24 hrs	360-1350mA	20W	15 to 55V	CEM20W1555B96PX

### LIMITED WARRANTY

5 YEAR at maximum case temperature 60 deg C. 3 YEAR at maximum case temperature 66 deg C. 3 YEAR for battery. Manufacturer warrants to the purchaser: Product will be free from defects in material or workmanship from the date of manufacture conditioned upon proper storage, installation, use, and maintenance and conformance with any recommendations of Manufacturer

### Lead Length

Colour	inch	cm
White	6	15.2
Blue	6	15.2
Red	6	15.2
Yellow/Black	6	15.2
White/Red	6	15.2
White/Blue	6 </td <td>15.2</td>	15.2
Battery Case Connector Wire /	2.7	7
Emergency Connector Wire	12.6	32
Test Switch / LED Indicator	7/23	18 /60

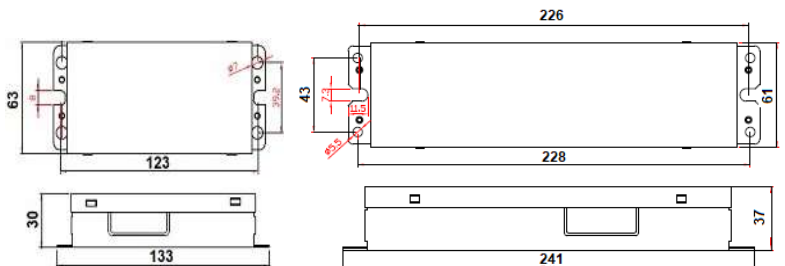


### Case Size Series C1U

L	W	H	ML
133	63	30	123mm
5.23	2.48	1.18	4.84inch

### Case Size Series FS3

L	W	H	ML
241	61	37	226mm
9.5	2.4	1.46	8.9inch



**WARNING:** Always Disconnect Power Before Handling. Case Should be Grounded. Install in Accordance with National and Local Electrical Codes



# AUTO DIAGNOSTIC EMERGENCY LED DRIVER

Output Voltage 15V to 55V Constant **Power 660-180mA Max 10W**

**Power Start Function.** For Use with AC Driver and LED Module with 15-55V Output

Universal Voltage 120-277V Electronic LED Emergency Constant **Power** Driver with **Factory-wired** Test Switch/ Indicator, & Face Plate for **easy** installation. Automatic diagnostic function designed to operate a 30 second short-term test each month plus a 90 minute duration test every 12 months and **Power Start** Function. Output Range of 15V to 55V for 10W maximum. All Specifications are nominal unless otherwise noted.

## Technical Specification:

FCC Part 15 Class A UL924, CSA C22.2 No. 141-15, Meets CEC Title 20 Standards, ROHS Compliant  
 Rating: IP30. Battery Type/Model Number: Lithium LiFePO4, 6.4V, 3600mAh  
 Remote Wiring Distance Full Load: 18AWG -18 ft  
 For Installation inside an Electrical Enclosure.  
 Operating Ambient Temp 0-55C



Case Size: E10L

Due to continuing efforts to offer improved products all specifications are subject to change without prior notice

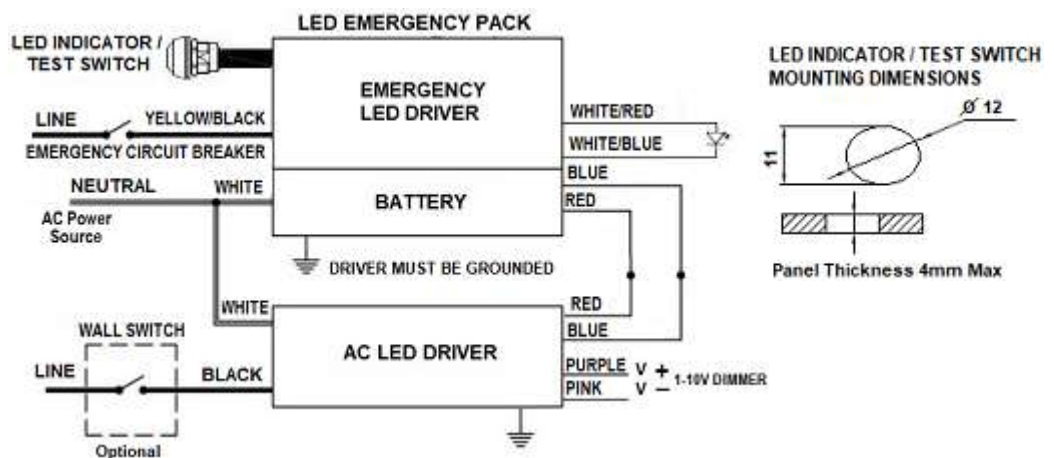
Emergency Operating Duration	Input Current Max	Input Watts Max	Battery Charge Current	Battery Voltage	Battery Charge Time Max	Output Watts Max	Rated Output Current mA Min - Max	Output Voltage Min - Max	MODEL
90 Minutes	110mA	10W	250mA	6.4V	24 hours	10W	180 -660mA	15 to 55V	SEM10W1555B64PE10

### LIMITED WARRANTY

5 YEAR at maximum case temperature 60 deg C. 3 YEAR at maximum case temperature 66 deg C. 3 YEAR for battery. Manufacturer warrants to the purchaser: Product will be free from defects in material or workmanship from the date of manufacture conditioned upon proper storage, installation, use, and maintenance and conformance with any recommendations of Manufacturer.

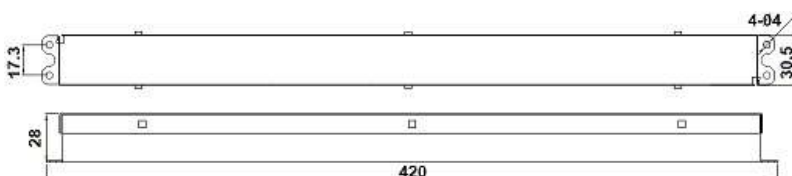
### Lead Length

Colour	inch	cm
White	24	61
Yellow/Black	24	61
White/Red	24	61
White/Blue	24	61
Blue	32	82
Red	32	82
Test Switch	25	63
LED Indicator	6	15.2



### Case Size Series E10 / E10L

L	W	H	ML
420	30.5	28	413mm
16.5	1.2	1.1	16.25inch



**WARNING:** Always Disconnect Power Before Handling. Case Should be Grounded. Install in Accordance with National and Local Electrical Codes

# AUTO DIAGNOSTIC EMERGENCY LED DRIVER

Output Voltage 15V to 55V Constant **Power** 660-180mA **Max 10W**

**Power Start** Function. For Use with AC Driver and LED Module with 15-55V Output

**SEM10W1555B64PE10**

Page ....2

## Power Start Function

The Integral **Power Start** function eliminates the need for battery connectors and wires. This smart function benefits fixture manufacturers as the installed fixtures shipped to their customers could remain in Sleep Mode with minimal battery drain. Once connected to AC **Power** the Emergency Driver will **Start** activating automatically at which time it will change to charging mode for regular operation. Once the overall job site installation is finished the contractor does not have to return to physically connect the battery and charger saving valuable time.

## Auto Diagnostic & Testing Function

Auto diagnostic function will automatically perform a 30 second short-term test each month plus a 90 minute duration test every 12 months through a two colour LED indicator.

### Auto Diagnostic Code Table:

EMERGENCY LED DRIVER STATUS	LED INDICATION	CONDITION	FAILURE PRIORITY
Normal Mode	STEADY <b>Green</b>	Battery is FULLY charged	N/A
	FLASH <b>Green</b>	Battery is charging	N/A
Emergency Mode	(1) One <b>Red</b> FLASH	Charging Failure	1
	(2) Two <b>Red</b> FLASH	Battery Failure	2
	(3) Three <b>Red</b> FLASH	Load Failure	3

### Note:

- Failure Code occurs every 10 seconds. Only the Highest Priority Failure is indicated
- **One Red** flash: Battery failed to fully charge in 24 hours.
- **Two Red** flash: Battery completely dead or bad battery connection.

## Manual Testing

Manual testing can be performed by pressing the Test Switch or Toggling the Emergency Circuit Breaker. The failure code will be the same as Auto Diagnostic Code table above. Follow the Manual Test Sequence below:

### Manual Testing Sequence Table:

EMERGENCY LED DRIVER STATUS	MANUAL TEST	TEST SWITCH OPERATION	EMERGENCY CIRCUIT BREAKER OPERATION
Normal Mode	Quick Test	Press and Hold	N/A
	30-Second Test	2 x Press and Release	2 x Toggles
	90-Minute Test	3 x Press and Release	3 x Toggles
	Cancel 90-Minute Test	1 x Press and Release	1 x Toggle
Emergency Mode	Sleep Mode	Press and Hold	N/A

# AUTO DIAGNOSTIC EMERGENCY LED DRIVER

Output Voltage 15V to 55V Constant **Power 670-180mA Max 10W**

**Power Start Function.** For Use with AC Driver and LED Module with 15-55V Output

Universal Voltage 120-277V Electronic LED Emergency Constant **Power Driver. Power Start Function** with Automatic diagnostic function designed to perform a 30 second short-term test each month plus a 90 minute duration test every 12 months. Output Range of 15V to 55V for 10W maximum. All Specifications are nominal unless otherwise noted

## Technical Specification:

FCC Part 15 Class A UL924, CSA C22.2 No. 141-15, Meets CEC Title 20 Standards, ROHS Compliant

Rating: IP30. Battery Type/Model Number: Lithium LiFePO4, 6.4V, 3600mAh

Remote Wiring Distance Full Load: 18AWG -18 ft

For Installation inside an Electrical Enclosure.

Operating Ambient Temp 0-55C



Case Size: EM1

Due to continuing efforts to offer improved products all specifications are subject to change without prior notice

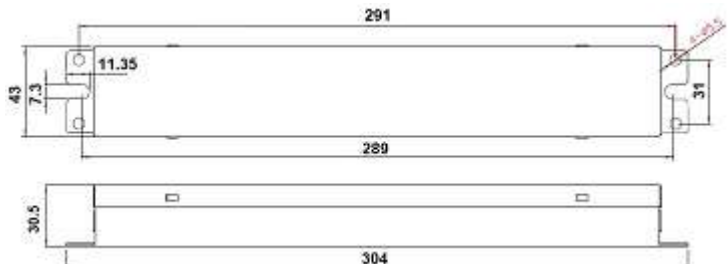
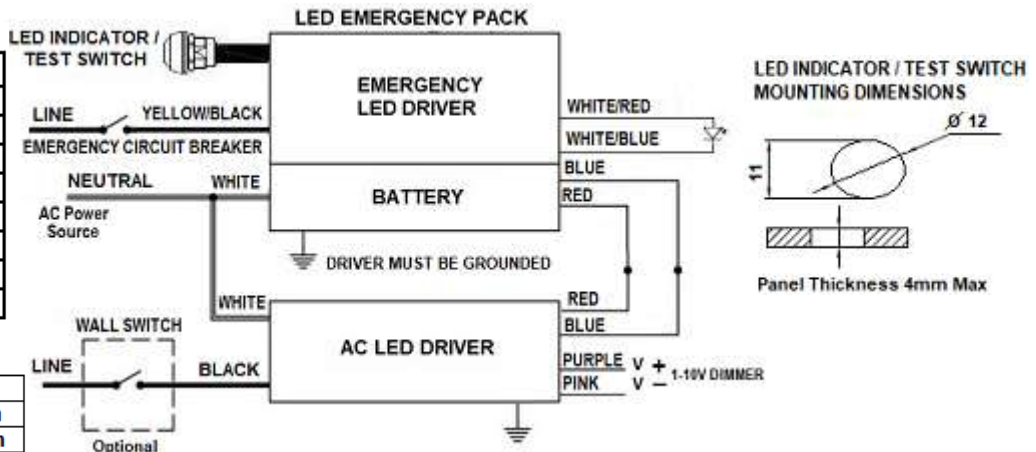
Emergency Operating Duration	Input Current Max	Input Watts Max	Battery Charge Current	Battery Voltage	Battery Charge Time Max	Output Watts Max	Rated Output Current mA Min - Max	Output Voltage Min - Max	MODEL
90 Minutes	110mA	10W	250mA	6.4V	24 hours	10W	180 -670mA	15 to 55V	SEM10W1555B64P

### LIMITED WARRANTY

5 YEAR at maximum case temperature 60 deg C. 3 YEAR at maximum case temperature 66 deg C. 3 YEAR for battery. Manufacturer warrants to the purchaser: Product will be free from defects in material or workmanship from the date of manufacture conditioned upon proper storage, installation, use, and maintenance and conformance with any recommendations of Manufacturer.

Colour	inch	cm
White	22	56
Yellow/Black	19	49
Blue	32	82
Red	32	82
White/Red	26	66
White/Blue	26	66
Test Switch	25	63
LED Indicator	6	15

L	W	H	ML
304	43	30.5	289mm
11.97	1.7	1.2	11.38inch



**WARNING:** Always Disconnect Power Before Handling. Case Should be Grounded. Install in Accordance with National and Local Electrical Codes

# AUTO DIAGNOSTIC EMERGENCY LED DRIVER

Output Voltage 15V to 55V Constant **Power** 670-180mA **Max 10W**

**SEM10W1555B64P**

**Page ....2**

## **Power Start Function**

The Integral **Power Start** function eliminates the need for battery connectors and wires. This smart function benefits fixture manufacturers as the installed fixtures shipped to their customers could remain in Sleep Mode with minimal battery drain. Once connected to AC **Power** the Emergency Driver will **Start** activating automatically at which time it will change to charging mode for regular operation. Once the overall job site installation is finished the contractor does not have to return to physically connect the battery and charger saving valuable time.

## **Auto Diagnostic & Testing Function**

Auto diagnostic function will automatically perform a 30 second short-term test each month plus a 90 minute duration test every 12 months through a two colour LED indicator.

### **Auto Diagnostic Code Table:**

<b>EMERGENCY LED DRIVER STATUS</b>	<b>LED INDICATION</b>	<b>CONDITION</b>	<b>FAILURE PRIORITY</b>
<b>Normal Mode</b>	<b>STEADY Green</b>	Battery is FULLY charged	N/A
	<b>FLASH Green</b>	Battery is charging	N/A
<b>Emergency Mode</b>	<b>(1) One Red FLASH</b>	Charging Failure	1
	<b>(2) Two Red FLASH</b>	Battery Failure	2
	<b>(3) Three Red FLASH</b>	Load Failure	3

### **Note:**

- Failure Code occurs every 10 seconds. Only the Highest Priority Failure is indicated
- **One Red** flash: Battery failed to fully charge in 24 hours.
- **Two Red** flash: Battery completely dead or bad battery connection.

## **Manual Testing**

Manual testing can be performed by pressing the Test Switch or Toggling the Emergency Circuit Breaker. The failure code will be the same as Auto Diagnostic Code table above. Follow the Manual Test Sequence below:

### **Manual Testing Sequence Table:**

<b>EMERGENCY LED DRIVER STATUS</b>	<b>MANUAL TEST</b>	<b>TEST SWITCH OPERATION</b>	<b>EMERGENCY CIRCUIT BREAKER OPERATION</b>
<b>Normal Mode</b>	<b>Quick Test</b>	Press and Hold	N/A
	<b>30-Second Test</b>	2 x Press and Release	2 x Toggles
	<b>90-Minute Test</b>	3 x Press and Release	3 x Toggles
	<b>Cancel 90-Minute Test</b>	1 x Press and Release	1 x Toggle
<b>Emergency Mode</b>	<b>Sleep Mode</b>	Press and Hold	N/A



# AUTO DIAGNOSTIC EMERGENCY LED DRIVER

Output Voltage 15V to 55V Constant **Power** 935-250mA **Max 14W**

**Power Start Function.** For Use with AC Driver 5A Max and LED Module with 15-55V Output

Universal Voltage 120-277V Electronic LED Emergency Constant **Power** Driver. **Power Start** Function with Automatic diagnostic function designed to perform a 30 second short-term test each month plus a 90 minute duration test every 12 months. Output Range of 15V to 55V for 14W maximum. All Specifications are nominal unless otherwise noted.

## Technical Specification:

FCC Part 15 Class A UL924, CSA C22.2 No. 141-15 , Meets CEC Title 20 Standards, ROHS Compliant  
 Rating: IP30. Battery Type/Model Number: Lithium LiFePO4, 9.6V, 3300mAh  
 Remote Wiring Distance Full Load: 18AWG -18 ft  
 For Installation inside an Electrical Enclosure.  
 Operating Ambient Temp 0-55C



Case Size: EM1

Due to continuing efforts to offer improved products all specifications are subject to change without prior notice

Emergency Operating Duration	Input Current Max	Input Watts Max	Battery Charge Current	Battery Voltage	Battery Charge Time Max	Output Watts Max	Rated Output Current mA Min - Max	Output Voltage Min - Max	MODEL
90 Minutes	130mA	11W	350mA	9.6V	24 hours	14W	250 -935mA	15 to 55V	SEM14W1555B96P

### LIMITED WARRANTY

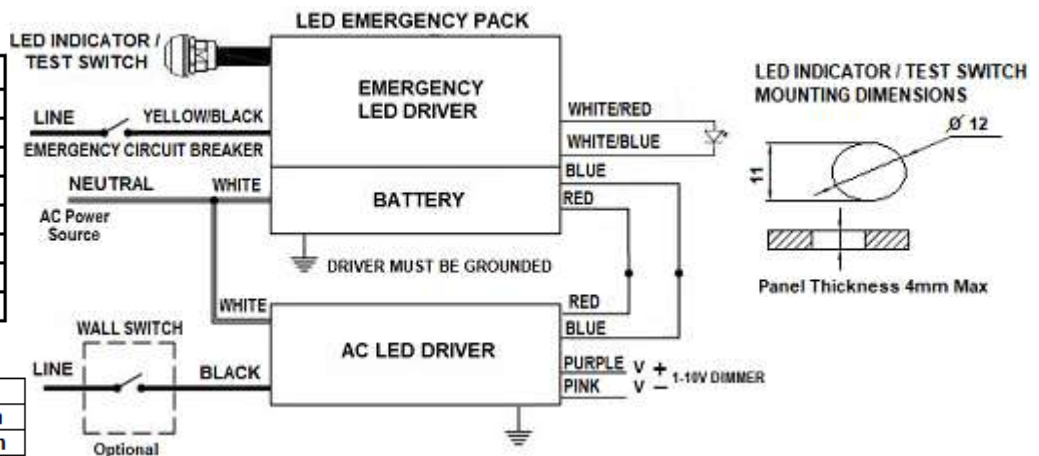
5 YEAR at maximum case temperature 60 deg C. 3 YEAR at maximum case temperature 66 deg C. 3 YEAR for battery. Manufacturer warrants to the purchaser: Product will be free from defects in material or workmanship from the date of manufacture conditioned upon proper storage, installation, use, and maintenance and conformance with any recommendations of Manufacturer.

### Lead Length

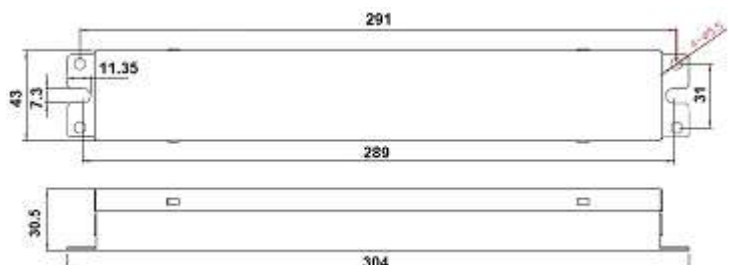
Colour	inch	cm
White	22	56
Yellow/Black	19	49
Blue	32	82
Red	32	82
White/Red	26	66
White/Blue	26	66
Test Switch	25	63
LED Indicator	6	15

### Case Size Series EM1

L	W	H	ML
304	43	30.5	289mm
11.97	1.7	1.2	11.38inch



**WARNING:** Always Disconnect Power Before Handling. Case Should be Grounded. Install in Accordance with National and Local Electrical Codes



# AUTO DIAGNOSTIC EMERGENCY LED DRIVER

Output Voltage 15V to 55V Constant **Power** 935-250mA **Max 14W**

**SEM14W1555B96P**

**Page ....2**

## **Power Start Function**

The Integral **Power Start** function eliminates the need for battery connectors and wires. This smart function benefits fixture manufacturers as the installed fixtures shipped to their customers could remain in Sleep Mode with minimal battery drain. Once connected to AC **Power** the Emergency Driver will **Start** activating automatically at which time it will change to charging mode for regular operation. Once the overall job site installation is finished the contractor does not have to return to physically connect the battery and charger saving valuable time.

## **Auto Diagnostic & Testing Function**

Auto diagnostic function will automatically perform a 30 second short-term test each month plus a 90 minute duration test every 12 months through a two colour LED indicator.

### **Auto Diagnostic Code Table:**

<b>EMERGENCY LED DRIVER STATUS</b>	<b>LED INDICATION</b>	<b>CONDITION</b>	<b>FAILURE PRIORITY</b>
<b>Normal Mode</b>	<b>STEADY Green</b>	Battery is FULLY charged	N/A
	<b>FLASH Green</b>	Battery is charging	N/A
<b>Emergency Mode</b>	<b>(1) One Red FLASH</b>	Charging Failure	1
	<b>(2) Two Red FLASH</b>	Battery Failure	2
	<b>(3) Three Red FLASH</b>	Load Failure	3

### **Note:**

- Failure Code occurs every 10 seconds. Only the Highest Priority Failure is indicated
- **One Red** flash: Battery failed to fully charge in 24 hours.
- **Two Red** flash: Battery completely dead or bad battery connection.

## **Manual Testing**

Manual testing can be performed by pressing the Test Switch or Toggling the Emergency Circuit Breaker. The failure code will be the same as Auto Diagnostic Code table above. Follow the Manual Test Sequence below:

### **Manual Testing Sequence Table:**

<b>EMERGENCY LED DRIVER STATUS</b>	<b>MANUAL TEST</b>	<b>TEST SWITCH OPERATION</b>	<b>EMERGENCY CIRCUIT BREAKER OPERATION</b>
<b>Normal Mode</b>	<b>Quick Test</b>	Press and Hold	N/A
	<b>30-Second Test</b>	2 x Press and Release	2 x Toggles
	<b>90-Minute Test</b>	3 x Press and Release	3 x Toggles
	<b>Cancel 90-Minute Test</b>	1 x Press and Release	1 x Toggle
<b>Emergency Mode</b>	<b>Sleep Mode</b>	Press and Hold	N/A

# AUTO DIAGNOSTIC EMERGENCY LED DRIVER

Output Voltage 15V to 55V Constant **Power** 1350-360mA **Max 20W**

**Power Start Function.** For Use with AC Driver 5A Max and LED Module with 15-55V Output

Universal Voltage 120-277V Electronic LED Emergency Constant **Power** Driver. **Power Start** Function with Automatic diagnostic function designed to perform a 30 second short-term test each month plus a 90 minute duration test every 12 months. Output Range of 15V to 55V for 20W maximum. All Specifications are nominal unless otherwise noted.

## Technical Specification:

FCC Part 15 Class A UL924, CSA C22.2 No. 141-15, Meets CEC Title 20 Standards, ROHS Compliant  
 Rating: IP30. Battery Type/Model Number: Lithium LiFePO4, 9.6V, 6600mAh  
 Remote Wiring Distance Full Load: 18AWG -18 ft  
 For Installation inside an Electrical Enclosure.  
 Operating Ambient Temp 0-55C



Case Size: EM3

Due to continuing efforts to offer improved products all specifications are subject to change without prior notice

Emergency Operating Duration	Input Current Max	Input Watts Max	Battery Charge Current	Battery Voltage	Battery Charge Time Max	Output Watts Max	Rated Output Current mA Min - Max	Output Voltage Min - Max	MODEL
90 Minutes	130mA	11W	350mA	9.6V	24 hours	20W	360 -1350mA	15 to 55V	SEM20W1555B96P

### LIMITED WARRANTY

5 YEAR at maximum case temperature 60 deg C. 3 YEAR at maximum case temperature 66 deg C. 3 YEAR for battery. Manufacturer warrants to the purchaser: Product will be free from defects in material or workmanship from the date of manufacture conditioned upon proper storage, installation, use, and maintenance and conformance with any recommendations of Manufacturer.

Colour	inch	cm
White	22	56
Yellow/Black	19	49
Blue	32	82
Red	32	82
White/Red	26	66
White/Blue	26	66
Test Switch	25	63
LED Indicator	6	15

**LED EMERGENCY PACK**

LED INDICATOR / TEST SWITCH

EMERGENCY LED DRIVER

BATTERY

AC LED DRIVER

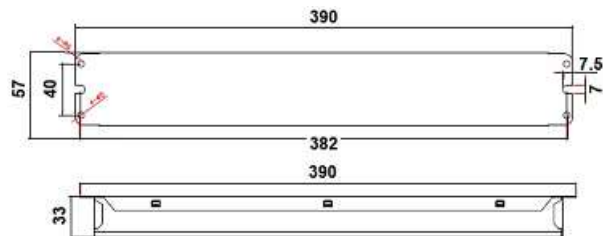
AC Power Source

WALL SWITCH (Optional)

LED INDICATOR / TEST SWITCH MOUNTING DIMENSIONS:  $\phi 12$ , 11, Panel Thickness 4mm Max

PURPLE V+ 1-10V DIMMER  
PINK V-

L	W	H	ML
390	57	33	38.2mm
15.4	2.24	1.3	15.04inch



**WARNING:** Always Disconnect Power Before Handling. Case Should be Grounded. Install in Accordance with National and Local Electrical Codes

# AUTO DIAGNOSTIC EMERGENCY LED DRIVER

Output Voltage 15V to 55V Constant **Power** 1350-360mA **Max 20W**

**SEM20W1555B96P**

**Page ....2**

## **Power Start Function**

The Integral **Power Start** function eliminates the need for battery connectors and wires. This smart function benefits fixture manufacturers as the installed fixtures shipped to their customers could remain in Sleep Mode with minimal battery drain. Once connected to AC **Power** the Emergency Driver will **Start** activating automatically at which time it will change to charging mode for regular operation. Once the overall job site installation is finished the contractor does not have to return to physically connect the battery and charger saving valuable time.

## **Auto Diagnostic & Testing Function**

Auto diagnostic function will automatically perform a 30 second short-term test each month plus a 90 minute duration test every 12 months through a two colour LED indicator.

### **Auto Diagnostic Code Table:**

<b>EMERGENCY LED DRIVER STATUS</b>	<b>LED INDICATION</b>	<b>CONDITION</b>	<b>FAILURE PRIORITY</b>
<b>Normal Mode</b>	<b>STEADY Green</b>	Battery is FULLY charged	N/A
	<b>FLASH Green</b>	Battery is charging	N/A
<b>Emergency Mode</b>	<b>(1) One Red FLASH</b>	Charging Failure	1
	<b>(2) Two Red FLASH</b>	Battery Failure	2
	<b>(3) Three Red FLASH</b>	Load Failure	3

### **Note:**

- Failure Code occurs every 10 seconds. Only the Highest Priority Failure is indicated
- **One Red** flash: Battery failed to fully charge in 24 hours.
- **Two Red** flash: Battery completely dead or bad battery connection.

## **Manual Testing**

Manual testing can be performed by pressing the Test Switch or Toggling the Emergency Circuit Breaker. The failure code will be the same as Auto Diagnostic Code table above. Follow the Manual Test Sequence below:

### **Manual Testing Sequence Table:**

<b>EMERGENCY LED DRIVER STATUS</b>	<b>MANUAL TEST</b>	<b>TEST SWITCH OPERATION</b>	<b>EMERGENCY CIRCUIT BREAKER OPERATION</b>
<b>Normal Mode</b>	<b>Quick Test</b>	Press and Hold	N/A
	<b>30-Second Test</b>	2 x Press and Release	2 x Toggles
	<b>90-Minute Test</b>	3 x Press and Release	3 x Toggles
	<b>Cancel 90-Minute Test</b>	1 x Press and Release	1 x Toggle
<b>Emergency Mode</b>	<b>Sleep Mode</b>	Press and Hold	N/A

# AUTO DIAGNOSTIC EMERGENCY LED DRIVER

Output Voltage 15V to 55V Constant **Power 670-180mA Max 10W**

**Power Start Function.** For Use with AC Driver 5A Max and LED Module with 15-55V Output

Universal Voltage 120-277V Electronic LED Emergency Constant **Power** Driver with **Flexible Metal Conduit.** **Power Start** Function with Automatic diagnostic function designed to perform a 30 second short-term test each month plus a 90 minute duration test every 12 months. Output Range of 15V to 55V for 10W maximum. All Specifications are nominal unless otherwise noted.

## Technical Specification:

FCC Part 15 Class A UL924, CSA C22.2 No. 141-15, Meets CEC Title 20 Standards, ROHS Compliant  
 Rating: IP30. Battery Type/Model Number: Lithium LiFePO4, 6.4V, 3600mAh  
 Remote Wiring Distance Full Load: 18AWG -18 ft.  
 Operating Ambient Temp 0-55C



Case Size: EM1

Due to continuing efforts to offer improved products all specifications are subject to change without prior notice

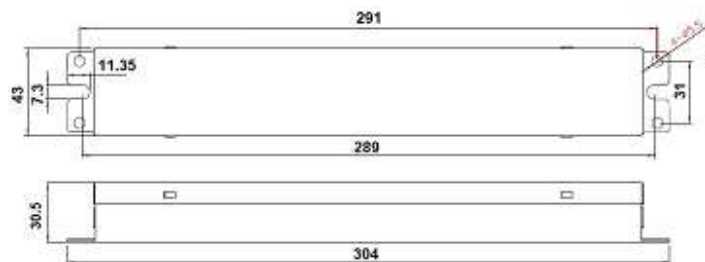
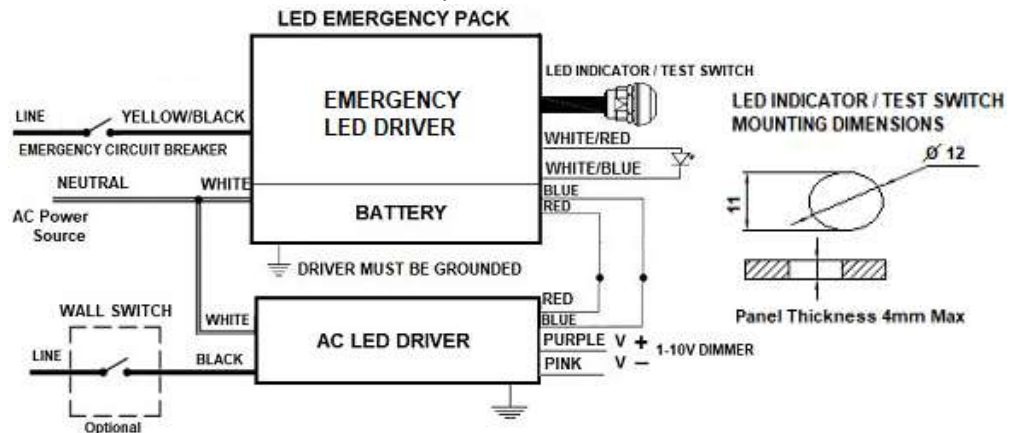
Emergency Operating Duration	Input Current Max	Input Watts Max	Battery Charge Current	Battery Voltage	Battery Charge Time Max	Output Watts Max	Rated Output Current mA Min - Max	Output Voltage Min - Max	MODEL
90 Minutes	110mA	10W	250mA	6.4V	24 hours	10W	180 -670mA	15 to 55V	SEM10W1555B64PFT

### LIMITED WARRANTY

5 YEAR at maximum case temperature 60 deg C. 3 YEAR at maximum case temperature 66 deg C. 3 YEAR for battery. Manufacturer warrants to the purchaser: Product will be free from defects in material or workmanship from the date of manufacture conditioned upon proper storage, installation, use, and maintenance and conformance with any recommendations of Manufacturer.

### Lead Length

Colour	inch	cm
White	30	75
Yellow/Black	30	75
White/Red	30	75
White/Blue	30	75
Blue	30	75
Red	30 </td <td>75</td>	75
Test Switch	25	63
LED Indicator	6	15



### Case Size Series EM1

L	W	H	ML
304	43	30.5	289mm
11.97	1.7	1.2	11.38inch

**WARNING:** Always Disconnect Power Before Handling. Case Should be Grounded. Install in Accordance with National and Local Electrical Codes

# AUTO DIAGNOSTIC EMERGENCY LED DRIVER

Output Voltage 15V to 55V Constant **Power** 670-180mA **Max 10W**

**SEM10W1555B64PFT**

**Page ....2**

## **Power Start Function**

The Integral **Power Start** function eliminates the need for battery connectors and wires. This smart function benefits fixture manufacturers as the installed fixtures shipped to their customers could remain in Sleep Mode with minimal battery drain. Once connected to AC **Power** the Emergency Driver will **Start** activating automatically at which time it will change to charging mode for regular operation. Once the overall job site installation is finished the contractor does not have to return to physically connect the battery and charger saving valuable time.

## **Auto Diagnostic & Testing Function**

Auto diagnostic function will automatically perform a 30 second short-term test each month plus a 90 minute duration test every 12 months through a two colour LED indicator.

### **Auto Diagnostic Code Table:**

<b>EMERGENCY LED DRIVER STATUS</b>	<b>LED INDICATION</b>	<b>CONDITION</b>	<b>FAILURE PRIORITY</b>
<b>Normal Mode</b>	<b>STEADY Green</b>	Battery is FULLY charged	N/A
	<b>FLASH Green</b>	Battery is charging	N/A
<b>Emergency Mode</b>	<b>(1) One Red FLASH</b>	Charging Failure	1
	<b>(2) Two Red FLASH</b>	Battery Failure	2
	<b>(3) Three Red FLASH</b>	Load Failure	3

### **Note:**

- Failure Code occurs every 10 seconds. Only the Highest Priority Failure is indicated
- **One Red** flash: Battery failed to fully charge in 24 hours.
- **Two Red** flash: Battery completely dead or bad battery connection.

## **Manual Testing**

Manual testing can be performed by pressing the Test Switch or Toggling the Emergency Circuit Breaker. The failure code will be the same as Auto Diagnostic Code table above. Follow the Manual Test Sequence below:

### **Manual Testing Sequence Table:**

<b>EMERGENCY LED DRIVER STATUS</b>	<b>MANUAL TEST</b>	<b>TEST SWITCH OPERATION</b>	<b>EMERGENCY CIRCUIT BREAKER OPERATION</b>
<b>Normal Mode</b>	<b>Quick Test</b>	Press and Hold	N/A
	<b>30-Second Test</b>	2 x Press and Release	2 x Toggles
	<b>90-Minute Test</b>	3 x Press and Release	3 x Toggles
	<b>Cancel 90-Minute Test</b>	1 x Press and Release	1 x Toggle
<b>Emergency Mode</b>	<b>Sleep Mode</b>	Press and Hold	N/A

# AUTO DIAGNOSTIC EMERGENCY LED DRIVER

Output Voltage 15V to 55V Constant **Power 935-250mA Max 14W**

**Power Start Function.** For Use with AC Driver 5A Max and LED Module with 15-55V Output

Universal Voltage 120-277V Electronic LED Emergency Constant **Power** Driver with **Flexible Metal Conduit.** **Power Start** Function with Automatic diagnostic function designed to perform a 30 second short-term test each month plus a 90 minute duration test every 12 months. Output Range of 15V to 55V for 14W maximum. All Specifications are nominal unless otherwise noted.

## Technical Specification:

FCC Part 15 Class A UL924, CSA C22.2 No. 141-15, Meets CEC Title 20 Standards, ROHS Compliant

Rating: IP30. Battery Type/Model Number: Lithium **LiFePO4, 9.6V, 3300mAh**

Remote Wiring Distance Full Load: 18AWG -18 ft.

Operating Ambient Temp 0-55C



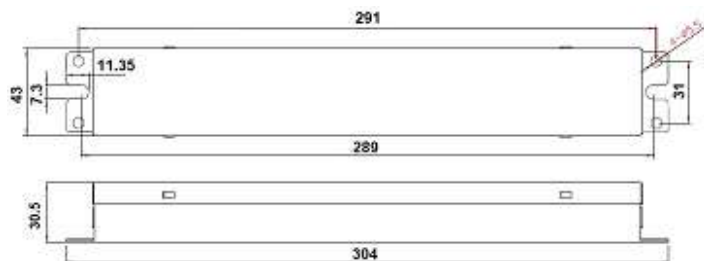
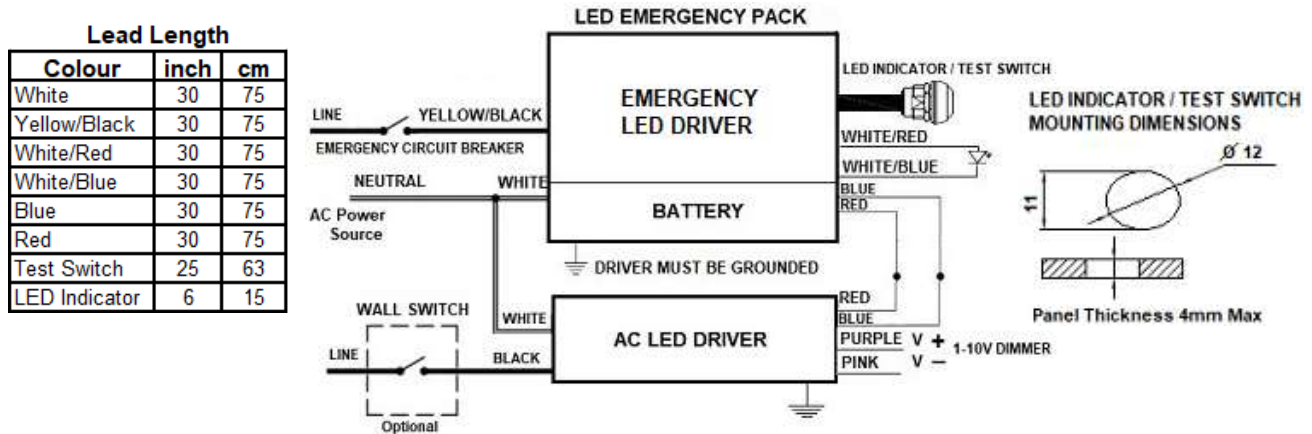
Case Size: EM1

Due to continuing efforts to offer improved products all specifications are subject to change without prior notice

Emergency Operating Duration	Input Current Max	Input Watts Max	Battery Charge Current	Battery Voltage	Battery Charge Time Max	Output Watts Max	Rated Output Current mA Min - Max	Output Voltage Min - Max	MODEL
90 Minutes	130mA	11W	350mA	9.6V	24 hours	14W	250 -935mA	15 to 55V	SEM14W1555B96PFT

### LIMITED WARRANTY

5 YEAR at maximum case temperature 60 deg C. 3 YEAR at maximum case temperature 66 deg C. 3 YEAR for battery. Manufacturer warrants to the purchaser: Product will be free from defects in material or workmanship from the date of manufacture conditioned upon proper storage, installation, use, and maintenance and conformance with any recommendations of Manufacturer.



### Case Size Series EM1

L	W	H	ML
304	43	30.5	289mm
11.97	1.7	1.2	11.38inch

**WARNING:** Always Disconnect Power Before Handling. Case Should be Grounded. Install in Accordance with National and Local Electrical Codes

# AUTO DIAGNOSTIC EMERGENCY LED DRIVER

Output Voltage 15V to 55V Constant **Power** 935-250mA **Max 14W**

**SEM14W1555B96PFT**

**Page ....2**

## **Power Start Function**

The Integral **Power Start** function eliminates the need for battery connectors and wires. This smart function benefits fixture manufacturers as the installed fixtures shipped to their customers could remain in Sleep Mode with minimal battery drain. Once connected to AC **Power** the Emergency Driver will **Start** activating automatically at which time it will change to charging mode for regular operation. Once the overall job site installation is finished the contractor does not have to return to physically connect the battery and charger saving valuable time.

## **Auto Diagnostic & Testing Function**

Auto diagnostic function will automatically perform a 30 second short-term test each month plus a 90 minute duration test every 12 months through a two colour LED indicator.

### **Auto Diagnostic Code Table:**

<b>EMERGENCY LED DRIVER STATUS</b>	<b>LED INDICATION</b>	<b>CONDITION</b>	<b>FAILURE PRIORITY</b>
<b>Normal Mode</b>	<b>STEADY Green</b>	Battery is FULLY charged	N/A
	<b>FLASH Green</b>	Battery is charging	N/A
<b>Emergency Mode</b>	<b>(1) One Red FLASH</b>	Charging Failure	1
	<b>(2) Two Red FLASH</b>	Battery Failure	2
	<b>(3) Three Red FLASH</b>	Load Failure	3

### **Note:**

- Failure Code occurs every 10 seconds. Only the Highest Priority Failure is indicated
- **One Red** flash: Battery failed to fully charge in 24 hours.
- **Two Red** flash: Battery completely dead or bad battery connection.

## **Manual Testing**

Manual testing can be performed by pressing the Test Switch or Toggling the Emergency Circuit Breaker. The failure code will be the same as Auto Diagnostic Code table above. Follow the Manual Test Sequence below:

### **Manual Testing Sequence Table:**

<b>EMERGENCY LED DRIVER STATUS</b>	<b>MANUAL TEST</b>	<b>TEST SWITCH OPERATION</b>	<b>EMERGENCY CIRCUIT BREAKER OPERATION</b>
<b>Normal Mode</b>	<b>Quick Test</b>	Press and Hold	N/A
	<b>30-Second Test</b>	2 x Press and Release	2 x Toggles
	<b>90-Minute Test</b>	3 x Press and Release	3 x Toggles
	<b>Cancel 90-Minute Test</b>	1 x Press and Release	1 x Toggle
<b>Emergency Mode</b>	<b>Sleep Mode</b>	Press and Hold	N/A



# AUTO DIAGNOSTIC EMERGENCY LED DRIVER

Output Voltage 15V to 55V Constant **Power 1350-360mA Max 20W**

**Power Start Function.** For Use with AC Driver 5A Max and LED Module with 15-55V Output

Universal Voltage 120-277V Electronic LED Emergency Constant **Power** Driver with **Flexible Metal Conduit.** **Power Start** Function with Automatic diagnostic function designed to perform a 30 second short-term test each month plus a 90 minute duration test every 12 months. Output Range of 15V to 55V for 20W maximum. All Specifications are nominal unless otherwise noted.

## Technical Specification:

FCC Part 15 Class A UL924, CSA C22.2 No. 141-15, Meets CEC Title 20 Standards, ROHS Compliant

Rating: IP30. Battery Type/Model Number: Lithium LiFePO4, 9.6V, 6600mAh

Remote Wiring Distance Full Load: 18AWG -18 ft.

Operating Ambient Temp 0-55C



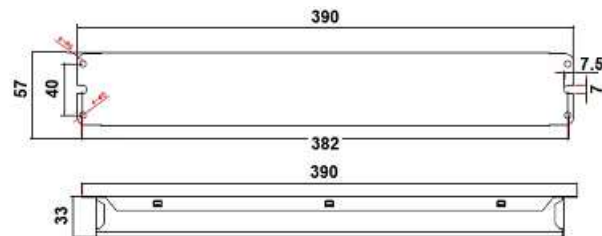
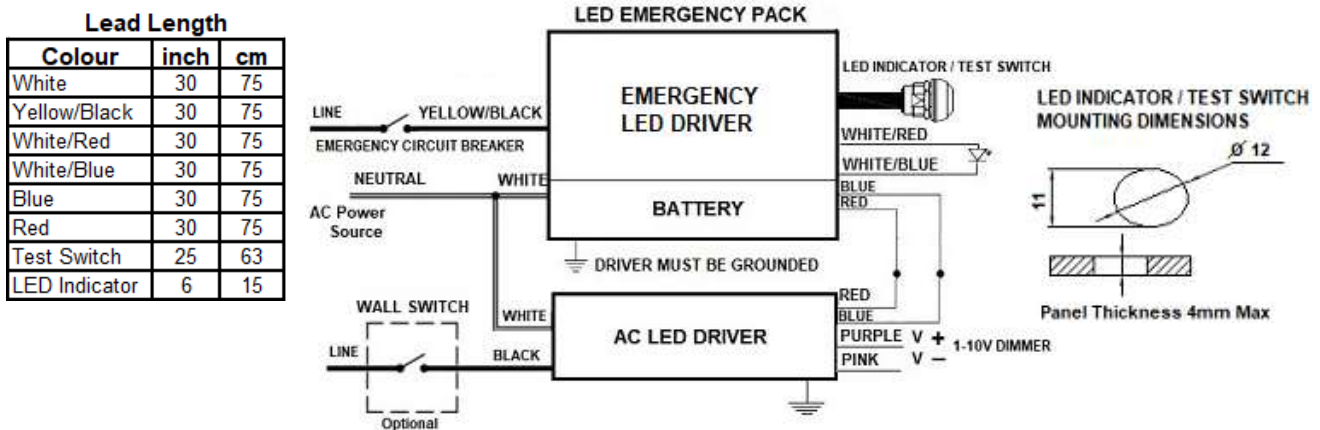
Case Size: EM3

Due to continuing efforts to offer improved products all specifications are subject to change without prior notice

Emergency Operating Duration	Input Current Max	Input Watts Max	Battery Charge Current	Battery Voltage	Battery Charge Time Max	Output Watts Max	Rated Output Current mA Min - Max	Output Voltage Min - Max	MODEL
90 Minutes	130mA	11W	350mA	9.6V	24 hours	20W	360 -1350mA	15 to 55V	SEM20W1555B96PFT

### LIMITED WARRANTY

5 YEAR at maximum case temperature 60 deg C. 3 YEAR at maximum case temperature 66 deg C. 3 YEAR for battery. Manufacturer warrants to the purchaser: Product will be free from defects in material or workmanship from the date of manufacture conditioned upon proper storage, installation, use, and maintenance and conformance with any recommendations of Manufacturer.



### Case Size Series EM3

L	W	H	ML
390	57	33	38.2mm
15.4	2.24	1.3	15.04inch

**WARNING:** Always Disconnect Power Before Handling. Case Should be Grounded. Install in Accordance with National and Local Electrical Codes

# AUTO DIAGNOSTIC EMERGENCY LED DRIVER

Output Voltage 15V to 55V Constant **Power** 1350-360mA **Max 20W**

**SEM20W1555B96PFT**

**Page ....2**

## **Power Start Function**

The Integral **Power Start** function eliminates the need for battery connectors and wires. This smart function benefits fixture manufacturers as the installed fixtures shipped to their customers could remain in Sleep Mode with minimal battery drain. Once connected to AC **Power** the Emergency Driver will **Start** activating automatically at which time it will change to charging mode for regular operation. Once the overall job site installation is finished the contractor does not have to return to physically connect the battery and charger saving valuable time.

## **Auto Diagnostic & Testing Function**

Auto diagnostic function will automatically perform a 30 second short-term test each month plus a 90 minute duration test every 12 months through a two colour LED indicator.

### **Auto Diagnostic Code Table:**

<b>EMERGENCY LED DRIVER STATUS</b>	<b>LED INDICATION</b>	<b>CONDITION</b>	<b>FAILURE PRIORITY</b>
<b>Normal Mode</b>	<b>STEADY Green</b>	Battery is FULLY charged	N/A
	<b>FLASH Green</b>	Battery is charging	N/A
<b>Emergency Mode</b>	<b>(1) One Red FLASH</b>	Charging Failure	1
	<b>(2) Two Red FLASH</b>	Battery Failure	2
	<b>(3) Three Red FLASH</b>	Load Failure	3

### **Note:**

- Failure Code occurs every 10 seconds. Only the Highest Priority Failure is indicated
- **One Red** flash: Battery failed to fully charge in 24 hours.
- **Two Red** flash: Battery completely dead or bad battery connection.

## **Manual Testing**

Manual testing can be performed by pressing the Test Switch or Toggling the Emergency Circuit Breaker. The failure code will be the same as Auto Diagnostic Code table above. Follow the Manual Test Sequence below:

### **Manual Testing Sequence Table:**

<b>EMERGENCY LED DRIVER STATUS</b>	<b>MANUAL TEST</b>	<b>TEST SWITCH OPERATION</b>	<b>EMERGENCY CIRCUIT BREAKER OPERATION</b>
<b>Normal Mode</b>	<b>Quick Test</b>	Press and Hold	N/A
	<b>30-Second Test</b>	2 x Press and Release	2 x Toggles
	<b>90-Minute Test</b>	3 x Press and Release	3 x Toggles
	<b>Cancel 90-Minute Test</b>	1 x Press and Release	1 x Toggle
<b>Emergency Mode</b>	<b>Sleep Mode</b>	Press and Hold	N/A





# 120V-347V LED EMERGENCY DRIVER

Output Voltage 15V to 55V Constant **Power 267-73mA Max 4W**

For Use with AC Driver and LED Module with 15-55V Output

120-347V Electronic LED Emergency Constant **Power** Driver with **Factory-wired** Test Switch/Indicator, Face Plate & Battery End Connectors for **easy** installation. Output Range of 15V to 55V for 4W maximum. All Specifications are nominal unless otherwise noted.

## Technical Specification:

FCC Part 15 Class A UL924, CSA C22.2 No. 141-15, Meets CEC Title 20 Standards, ROHS Compliant

Rating: IP30. Battery Type/Model Number: Lithium LiFePO4 6.4V 1800mAh

Remote Wiring Distance Full Load: 18AWG -18 ft

For Installation inside an Electrical Enclosure. Operating Ambient Temp 0-55C



Case Size: EM4

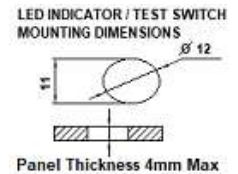
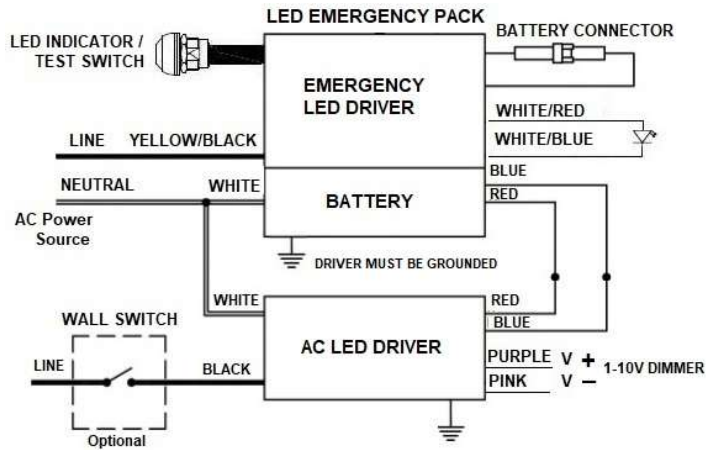
Due to continuing efforts to offer improved products all specifications are subject to change without prior notice

Emergency Operating Duration	Input Current Max	Input Watts Max	Battery Charge Current	Battery Voltage	Battery Charge Time Max	Output Watts Max	Rated Output Current mA Min - Max	Output Voltage Min - Max	MODEL
90 Minutes	110mA	8W	185mA	6.4V	24 hours	4W	73-267mA	15 to 55V	CEM4W1555B64PEM4

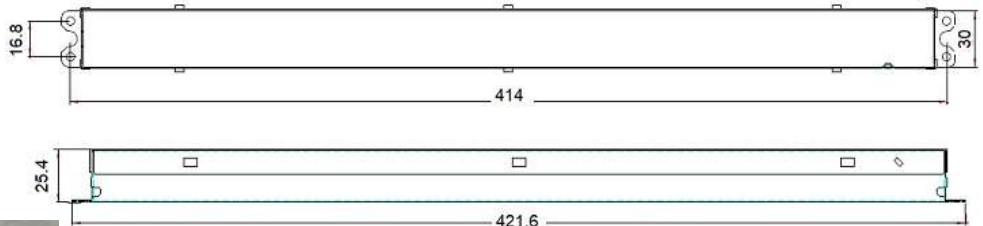
### LIMITED WARRANTY

5 YEAR at maximum case temperature 60 deg C. 3 YEAR at maximum case temperature 66 deg C. 3 YEAR for battery. Manufacturer warrants to the purchaser: Product will be free from defects in material or workmanship from the date of manufacture conditioned upon proper storage, installation, use, and maintenance and conformance with any recommendations of Manufacturer

Colour	inch	cm
White	6	15.2
Blue	6	15.2
Red	6	15.2
Yellow/Black	6	15.2
White/Red	6	15.2
White/Blue	6	15.2
Battery Connector	33	84
Test Switch	7	18
LED Indicator	23	60



L	W	H	ML
421.6	30	25.4	414mm
16.6	1.18	1.0	16.3inch



**WARNING:** Always Disconnect Power Before Handling. Case Should be Grounded. Install in Accordance with National and Local Electrical Codes

# 120V-347V LED EMERGENCY DRIVER

Output Voltage 15V to 55V Constant **Power** 400-109mA **Max 6W**

**Compact Case** For Use with AC Driver and LED Module with 15-55V Output

120-347V Electronic LED Emergency Constant **Power** Driver with **Factory-wired** Test Switch/Indicator, Face Plate & Battery End Connectors for **easy** installation. Output Range of 15V to 55V for 6W maximum. All Specifications are nominal unless otherwise noted.

## Technical Specification:

FCC Part 15 Class A UL924, CSA C22.2 No. 141-15, Meets CEC Title 20 Standards, ROHS Compliant

Rating: IP30. Battery Type/Model Number: Lithium LiFePO4 6.4V 2000mAh

Remote Wiring Distance Full Load: 18AWG -18 ft

For Installation inside an Electrical Enclosure. Operating Ambient Temp 0-55C



**Case Size: C4S**

Due to continuing efforts to offer improved products all specifications are subject to change without prior notice

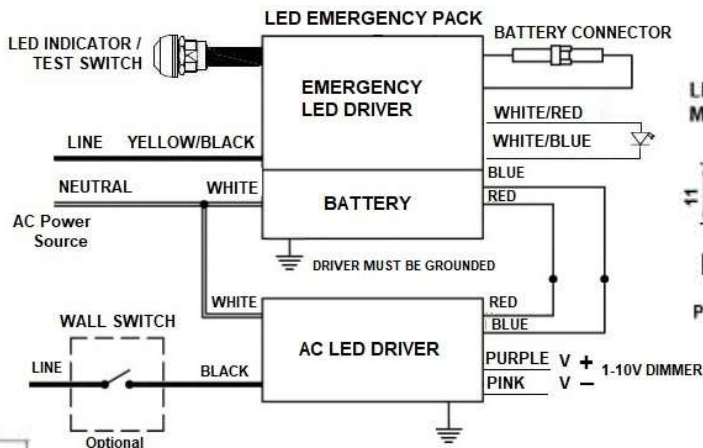
Emergency Operating Duration	Input Current Max	Input Watts Max	Battery Charge Current	Battery Voltage	Battery Charge Time Max	Output Watts Max	Rated Output Current mA Min - Max	Output Voltage Min - Max	MODEL
90 Minutes	110mA	8W	185mA	6.4V	24 hours	6W	109-400mA	15 to 55V	<b>CEM6W1555B64P</b>

### LIMITED WARRANTY

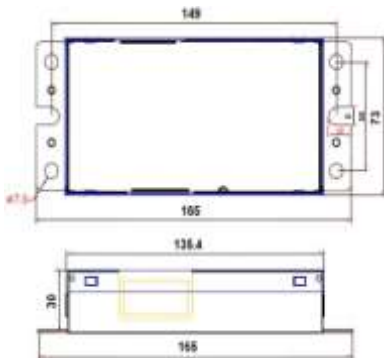
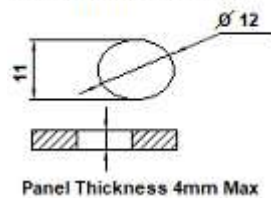
5 YEAR at maximum case temperature 60 deg C. 3 YEAR at maximum case temperature 66 deg C. 3 YEAR for battery. Manufacturer warrants to the purchaser: Product will be free from defects in material or workmanship from the date of manufacture conditioned upon proper storage, installation, use, and maintenance and conformance with any recommendations of Manufacturer

### Lead Length

Colour	inch	cm
White	6	15.2
Blue	6	15.2
Red	6	15.2
Yellow/Black	6	15.2
White/Red	6	15.2
White/Blue	6	15.2
Battery Connector	33	84
Test Switch	25	63
LED Indicator	6	15.2



### LED INDICATOR / TEST SWITCH MOUNTING DIMENSIONS



### Case Size Series C4S

L	W	H	ML
165	73	30	149mm
6.5	2.87	1.18	5.9inch



**WARNING:** Always Disconnect Power Before Handling. Case Should be Grounded. Install in Accordance with National and Local Electrical Codes

# 120V-347V LED EMERGENCY DRIVER

Output Voltage 15V to 55V Constant **Power** 400-109mA **Max 6W**

**Compact Case with Studs** For Use with AC Driver and LED Module with 15-55V Output

120-347V Electronic LED Emergency Constant **Power** Driver with **Factory-wired** Test Switch/Indicator, Face Plate & Battery End Connectors for **easy** installation. Output Range of 15V to 55V for 6W maximum. All Specifications are nominal unless otherwise noted.

## Technical Specification:

FCC Part 15 Class A UL924, CSA C22.2 No. 141-15, Meets CEC Title 20 Standards, ROHS Compliant

Rating: IP30. Battery Type/Model Number: Lithium LiFePO4 6.4V 2000mAh

Remote Wiring Distance Full Load: 18AWG -18 ft

For Installation inside an Electrical Enclosure. Operating Ambient Temp 0-55C



**Case Size: C3B**

Due to continuing efforts to offer improved products all specifications are subject to change without prior notice

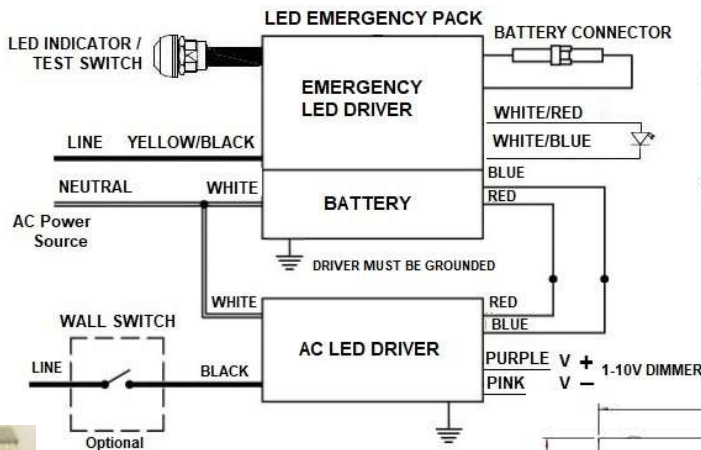
Emergency Operating Duration	Input Current Max	Input Watts Max	Battery Charge Current	Battery Voltage	Battery Charge Time Max	Output Watts Max	Rated Output Current mA Min - Max	Output Voltage Min - Max	MODEL
90 Minutes	110mA	8W	185mA	6.4V	24 hours	6W	109-400mA	15 to 55V	<b>CEM6W1555B64PB</b>

### LIMITED WARRANTY

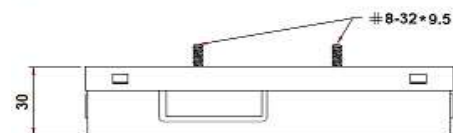
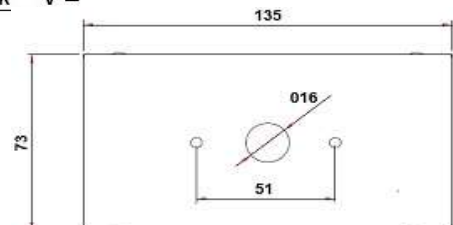
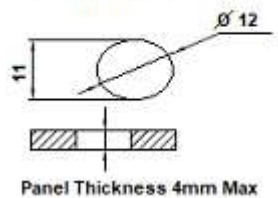
5 YEAR at maximum case temperature 60 deg C. 3 YEAR at maximum case temperature 66 deg C. 3 YEAR for battery. Manufacturer warrants to the purchaser: Product will be free from defects in material or workmanship from the date of manufacture conditioned upon proper storage, installation, use, and maintenance and conformance with any recommendations of Manufacturer

### Lead Length

Colour	inch	cm
White	6	15.2
Blue	6	15.2
Red	6	15.2
Yellow/Black	6	15.2
White/Red	6	15.2
White/Blue	6	15.2
Battery Connector	33	84
Test Switch	25	63
LED Indicator	6	15.2



### LED INDICATOR / TEST SWITCH MOUNTING DIMENSIONS



**WARNING:** Always Disconnect Power Before Handling. Case Should be Grounded. Install in Accordance with National and Local Electrical Codes

### Case Size Series C3B

L	W	H
135	73	30
5.31	2.87	1.18

901 - 3rd Street West, North Vancouver, BC V7P 3P9 Canada

TEL: 604-904-9533

www.sagedrivers.com www.sagelighting.com



# 120V-347V LED EMERGENCY DRIVER

Output Voltage 15V to 55V Constant **Power 670-180mA Max 10W**

For Use with AC Driver and LED Module with 15-55V Output

120-347V Electronic LED Emergency Constant **Power** Driver with **Factory-wired** Test Switch/ Indicator, Face Plate & Battery End Connectors for **easy** installation. Output Range of 15V to 55V for 10W maximum. All Specifications are nominal unless otherwise noted.

## Technical Specification:

FCC Part 15 Class A UL924, CSA C22.2 No. 141-15, Meets CEC Title 20 Standards, ROHS Compliant

Rating: IP30. Battery Type/Model Number: Lithium LiFePO4 6.4V 3600mAh

Remote Wiring Distance Full Load: 18AWG -18 ft

For Installation inside an Electrical Enclosure. Operating Ambient Temp 0-55C



Case Size: EM4

Due to continuing efforts to offer improved products all specifications are subject to change without prior notice

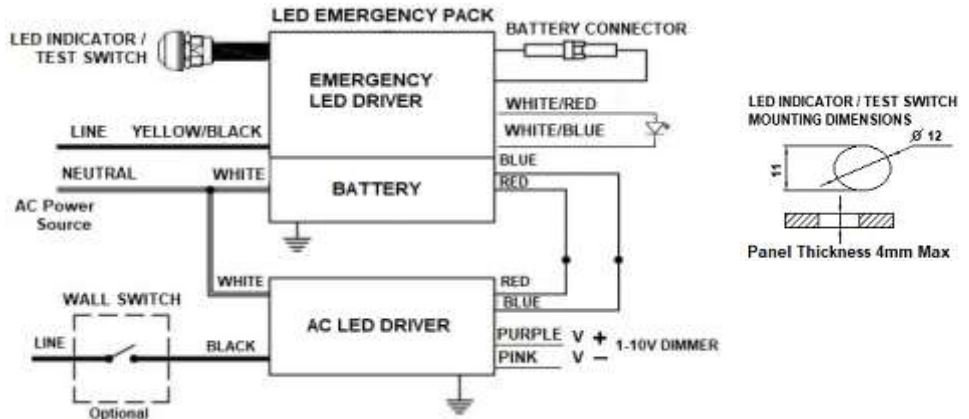
Emergency Operating Duration	Input Current Max	Input Watts Max	Battery Charge Current	Battery Voltage	Battery Charge Time Max	Output Watts Max	Rated Output Current mA Min - Max	Output Voltage Min - Max	MODEL
90 Minutes	110mA	8W	185mA	6.4V	24 hours	10W	180-670mA	15 to 55V	CEM10W1555B64PEM4

### LIMITED WARRANTY

5 YEAR at maximum case temperature 60 deg C. 3 YEAR at maximum case temperature 66 deg C. 3 YEAR for battery. Manufacturer warrants to the purchaser: Product will be free from defects in material or workmanship from the date of manufacture conditioned upon proper storage, installation, use, and maintenance and conformance with any recommendations of Manufacturer.

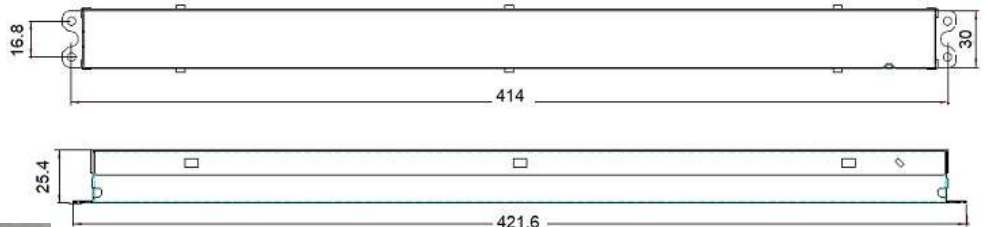
### Lead Length

Colour	inch	cm
White	6	15.2
Blue	6	15.2
Red	6	15.2
Yellow/Black	6	15.2
White/Red	6	15.2
White/Blue	6	15.2
Battery Connector	33	84
Test Switch	7	18
LED Indicator	23	60



### Case Size Series EM4

L	W	H	ML
421.6	30	25.4	414mm
16.6	1.18	1.0	16.3inch



**WARNING:** Always Disconnect Power Before Handling. Case Should be Grounded. Install in Accordance with National and Local Electrical Codes



# 120V-347V LED EMERGENCY DRIVER

Output Voltage 15V to 55V Constant **Power 670-180mA Max 10W**

For Use with AC Driver and LED Module with 15-55V Output

120-347V Electronic LED Emergency Constant **Power** Driver with **Factory-wired Metal Test Switch/Indicator**, Face Plate & Battery End Connectors for **easy** installation. Output Range of 15V to 55V for 10W maximum. All Specifications are nominal unless otherwise noted.

## Technical Specification:

FCC Part 15 Class A UL924, CSA C22.2 No. 141-15, Meets CEC Title 20 Standards, ROHS Compliant

Rating: IP30. Battery Type/Model Number: Lithium LiFePO4 6.4V 3600mAh

Remote Wiring Distance Full Load: 18AWG -18 ft

For Installation inside an Electrical Enclosure. Operating Ambient Temp 0-55C



Case Size: EM4

Due to continuing efforts to offer improved products all specifications are subject to change without prior notice

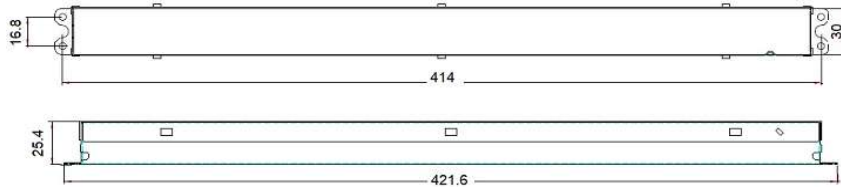
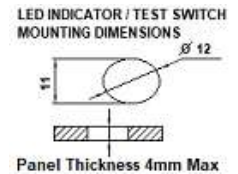
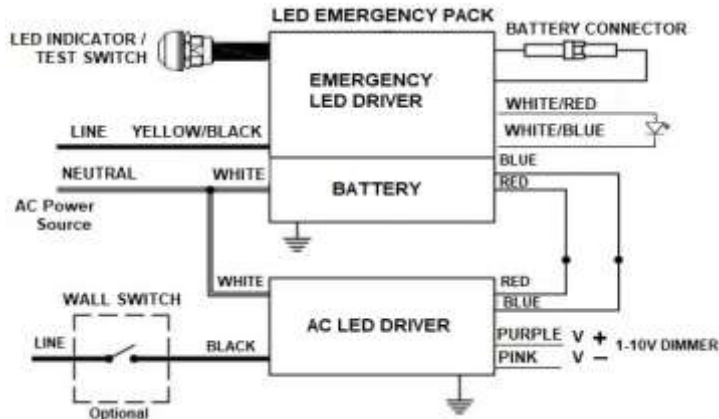
Emergency Operating Duration	Input Current Max	Input Watts Max	Battery Charge Current	Battery Voltage	Battery Charge Time Max	Output Watts Max	Rated Output Current mA Min - Max	Output Voltage Min - Max	MODEL
90 Minutes	110mA	8W	185mA	6.4V	24 hours	10W	180-670mA	15 to 55V	CEM10W1555B64PEM4

### LIMITED WARRANTY

5 YEAR at maximum case temperature 60 deg C. 3 YEAR at maximum case temperature 66 deg C. 3 YEAR for battery. Manufacturer warrants to the purchaser: Product will be free from defects in material or workmanship from the date of manufacture conditioned upon proper storage, installation, use, and maintenance and conformance with any recommendations of Manufacturer.

**Lead Length**

Colour	inch	cm
White	6	15.2
Blue	6	15.2
Red	6	15.2
Yellow/Black	6	15.2
White/Red	6	15.2
White/Blue	6	15.2
Battery Connector	33	84
Test Switch	7	18
LED Indicator	23	60



Case Size Series EM4

L	W	H	ML
421.6	30	25.4	414mm
16.6	1.18	1.0	16.3inch

**WARNING:** Always Disconnect Power Before Handling. Case Should be Grounded. Install in Accordance with National and Local Electrical Codes

# 120V-347V LED EMERGENCY DRIVER

Output Voltage 15V to 55V Constant **Power 670-180mA Max 10W**

For Use with AC Driver and LED Module with 15-55V Output

120-347V Electronic LED Emergency Constant **Power** Driver with **Factory-wired** Test Switch/Indicator, Face Plate & Battery End Connectors for **easy** installation. Output Range of 15V to 55V for 10W maximum. All Specifications are nominal unless otherwise noted.

## Technical Specification:

FCC Part 15 Class A UL924, CSA C22.2 No. 141-15, Meets CEC Title 20 Standards, ROHS Compliant

Rating: IP30. Battery Type/Model Number: Lithium LiFePO4 6.4V 3300mAh

Remote Wiring Distance Full Load: 18AWG -18 ft

For Installation inside an Electrical Enclosure. Operating Ambient Temp 0-55C



Case Size: MU2

Due to continuing efforts to offer improved products all specifications are subject to change without prior notice

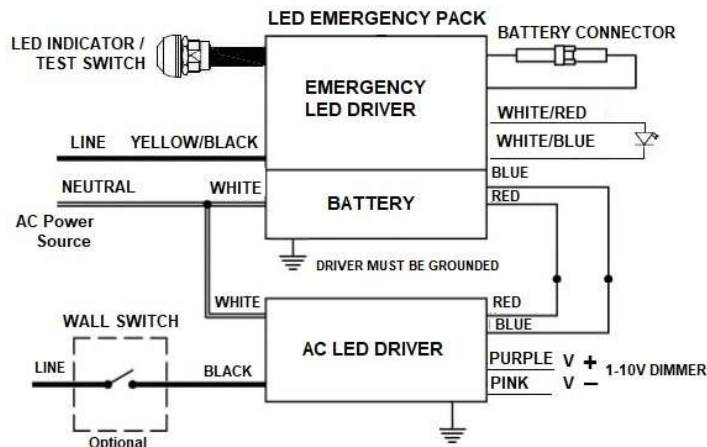
Emergency Operating Duration	Input Current Max	Input Watts Max	Battery Charge Current	Battery Voltage	Battery Charge Time Max	Output Watts Max	Rated Output Current mA Min - Max	Output Voltage Min - Max	MODEL
90 Minutes	110mA	8W	185mA	6.4V	24 hours	10W	180-670mA	15 to 55V	CEM10W1555B64P

### LIMITED WARRANTY

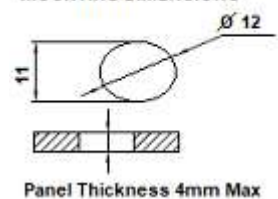
5 YEAR at maximum case temperature 60 deg C. 3 YEAR at maximum case temperature 66 deg C. 3 YEAR for battery. Manufacturer warrants to the purchaser: Product will be free from defects in material or workmanship from the date of manufacture conditioned upon proper storage, installation, use, and maintenance and conformance with any recommendations of Manufacturer

### Lead Length

Colour	inch	cm
White	22	56
Yellow/Black	19	49
Blue	32	82
Red	32	82
White/Red	26	66
White/Blue	26	66
Battery Connector	33	84
Test Switch	25	63
LED Indicator	6	15

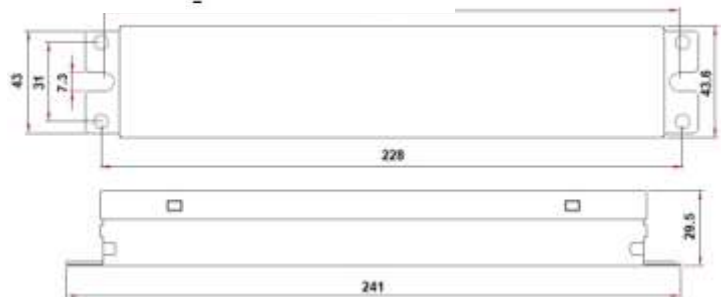


### LED INDICATOR / TEST SWITCH MOUNTING DIMENSIONS



### Case Size Series MU2

L	W	H	ML
241	43	29.5	226mm
9.5	1.7	1.2	8.9 inch



**WARNING:** Always Disconnect Power Before Handling. Case Should be Grounded. Install in Accordance with National and Local Electrical Codes



# 120V-347V LED EMERGENCY DRIVER

Output Voltage 15V to 55V Constant **Power** 935-250mA **Max 14W**

For Use with AC Driver and LED Module with 15-55V Output

120-347V Electronic LED Emergency Constant **Power** Driver with **Factory-wired** Test Switch/Indicator, Face Plate, & Battery End Connectors for **easy** installation. Output Range of 15V to 55V for 14W maximum. All Specifications are nominal unless otherwise noted.

## Technical Specification:

FCC Part 15 Class A UL924, CSA C22.2 No. 141-15, Meets CEC Title 20 Standards, ROHS Compliant

Rating: IP30. Battery Type/Model Number: Lithium LiFePO4 12.8V 2000mAh

Remote Wiring Distance Full Load: 18AWG -18 ft

For Installation inside an Electrical Enclosure. Operating Ambient Temp 0-55C



Case Size: EM4

Due to continuing efforts to offer improved products all specifications are subject to change without prior notice

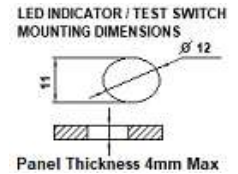
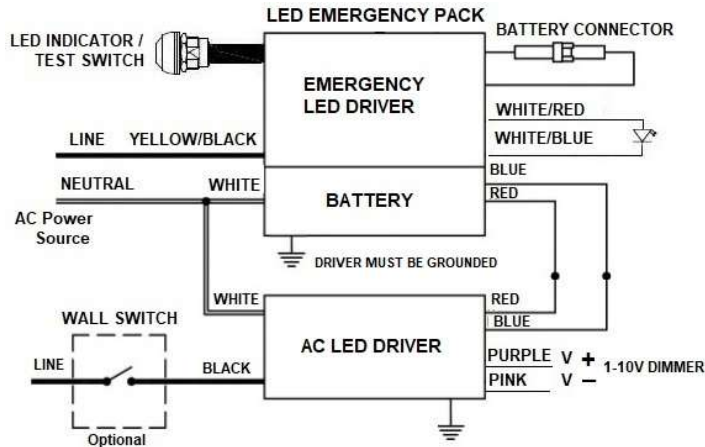
Emergency Operating Duration	Input Current Max	Input Watts Max	Battery Charge Current	Battery Voltage	Battery Charge Time Max	Output Watts Max	Rated Output Current mA Min - Max	Output Voltage Min - Max	MODEL
90 Minutes	110mA	10W	185mA	12.8V	24 hours	14W	250-935mA	15 to 55V	CEM14W1555B64PEM4

### LIMITED WARRANTY

5 YEAR at maximum case temperature 60 deg C. 3 YEAR at maximum case temperature 66 deg C. 3 YEAR for battery. Manufacturer warrants to the purchaser: Product will be free from defects in material or workmanship from the date of manufacture conditioned upon proper storage, installation, use, and maintenance and conformance with any recommendations of Manufacturer.

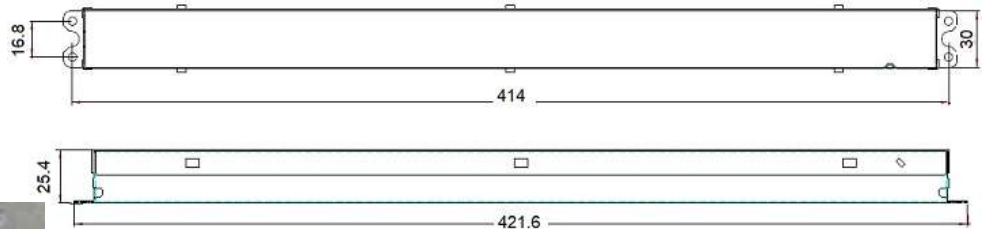
### Lead Length

Colour	inch	cm
White	6	15.2
Blue	6	15.2
Red	6	15.2
Yellow/Black	6	15.2
White/Red	6	15.2
White/Blue	6	15.2
Battery Connector	33	84
Test Switch	7	18
LED Indicator	23	60



### Case Size Series EM4

L	W	H	ML
421.6	30	25.4	414mm
16.6	1.18	1.0	16.3inch



**WARNING:** Always Disconnect Power Before Handling. Case Should be Grounded. Install in Accordance with National and Local Electrical Codes

# 120V-347V LED EMERGENCY DRIVER

Output Voltage 15V to 55V Constant **Power** 1350-360mA **Max 20W**

For Use with AC Driver and LED Module with 15-55V Output

120-347V Electronic LED Emergency Constant **Power** Driver with **Factory-wired** Test Switch/Indicator, Face Plate & Battery End Connectors for **easy** installation. Output Range of 15V to 55V for 20W maximum. All Specifications are nominal unless otherwise noted.

## Technical Specification:

FCC Part 15 Class A UL924, CSA C22.2 No. 141-15, Meets CEC Title 20 Standards, ROHS Compliant

Rating: IP30. Battery Type/Model Number: Lithium LiFePO4, 9.6V, 4600mAh

Remote Wiring Distance Full Load: 18AWG -18 ft

For Installation inside an Electrical Enclosure. Operating Ambient Temp 0-55C



Case Size: EM

Due to continuing efforts to offer improved products all specifications are subject to change without prior notice

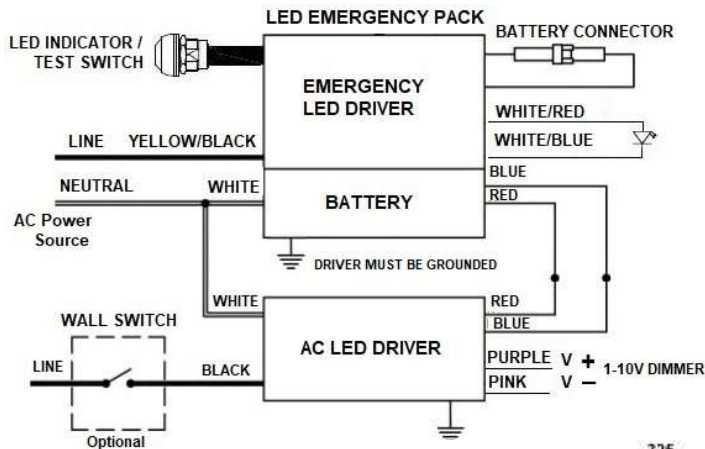
Emergency Operating Duration	Input Current Max	Input Watts Max	Battery Charge Current	Battery Voltage	Battery Charge Time Max	Output Watts Max	Rated Output Current mA Min - Max	Output Voltage Min - Max	MODEL
90 Minutes	130mA	11W	450mA	9.6V	24 hours	20W	360 -1350mA	15 to 55V	CEM20W1555B96P

### LIMITED WARRANTY

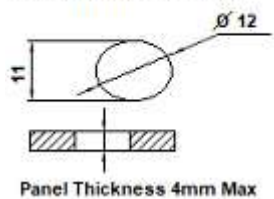
5 YEAR at maximum case temperature 60 deg C. 3 YEAR at maximum case temperature 66 deg C. 3 YEAR for battery. Manufacturer warrants to the purchaser: Product will be free from defects in material or workmanship from the date of manufacture conditioned upon proper storage, installation, use, and maintenance and conformance with any recommendations of Manufacturer

### Lead Length

Colour	inch	cm
White	22	56
Yellow/Black	19	49
Blue	32	82
Red	32	82
White/Red	26	66
White/Blue	26	66
Battery Connector	33	84
Test Switch	25	63
LED Indicator	6	15

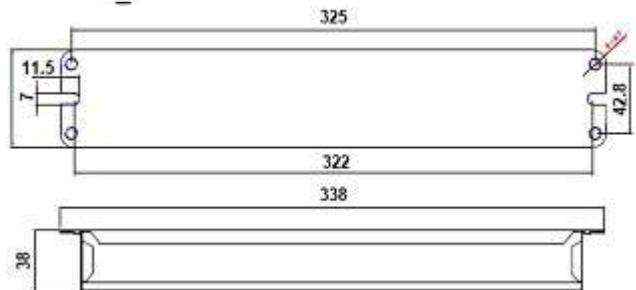


### LED INDICATOR / TEST SWITCH MOUNTING DIMENSIONS



### Case Size Series EM

L	W	H	ML
338	62	38	322mm
13.3	2.44	1.49	12.68inch



**WARNING:** Always Disconnect Power Before Handling. Case Should be Grounded. Install in Accordance with National and Local Electrical Codes

# 120V-347V LED EMERGENCY DRIVER

Output Voltage 15V to 55V Constant Power 670-180mA Max 10W

For Use with AC Driver and LED Module with 15-55V Output

120-347V Electronic LED Emergency Constant Power Driver with **Factory-wired** Test Switch/Indicator, Face Plate, **Flexible Metal Conduit** & Battery End Connectors for **easy** installation. Output Range of 15V to 55V for 10W maximum. All Specifications are nominal unless otherwise noted.

## Technical Specification:

FCC Part 15 Class A UL924, CSA C22.2 No. 141-15, Meets CEC Title 20 Standards, ROHS Compliant  
 Rating: IP30. Battery Type/Model Number: Lithium LiFePO4, 6.4V 3300mAh  
 Remote Wiring Distance Full Load: 18AWG -18 ft. Operating Ambient Temp 0-55C



Case Size: MU2

Due to continuing efforts to offer improved products all specifications are subject to change without prior notice

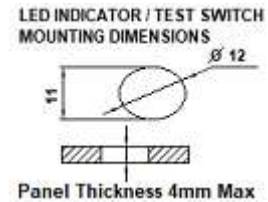
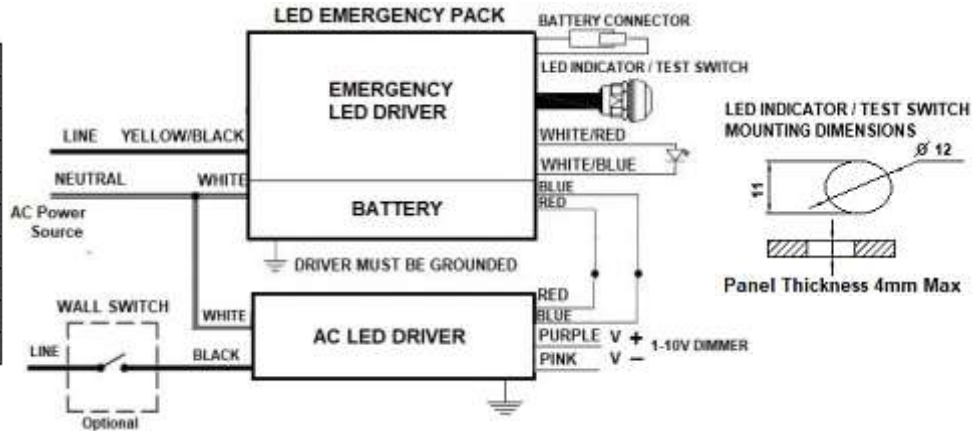
Emergency Operating Duration	Input Current Max	Input Watts Max	Battery Charge Current	Battery Voltage	Battery Charge Time Max	Output Watts Max	Rated Output Current mA Min - Max	Output Voltage Min - Max	MODEL
90 Minutes	110mA	8W	185mA	6.4V	24 hours	10W	180 -670mA	15 to 55V	CEM10W1555B64PFT

### LIMITED WARRANTY

5 YEAR at maximum case temperature 60 deg C. 3 YEAR at maximum case temperature 66 deg C. 3 YEAR for battery. Manufacturer warrants to the purchaser: Product will be free from defects in material or workmanship from the date of manufacture conditioned upon proper storage, installation, use, and maintenance and conformance with any recommendations of Manufacturer

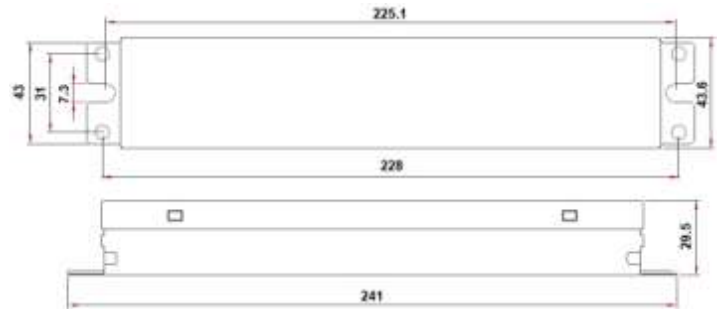
### Lead Length

Colour	inch	cm
White	30	75
Blue	30	75
Red	30	75
Yellow/Black	30	75
White/Red	30	75
White/Blue	30	75
Battery Connector	33	84
Test Switch	25	63
LED Indicator	6	15.2



### Case Size Series MU2

L	W	H	ML
241	43	29.5	226mm
9.5	1.7	1.2	8.9 inch



**WARNING:** Always Disconnect Power Before Handling. Case Should be Grounded. Install in Accordance with National and Local Electrical Codes

# 120V-347V LED EMERGENCY DRIVER

Output Voltage 15V to 55V Constant Power 670-180mA Max 10W

For Use with AC Driver and LED Module with 15-55V Output

120-347V Electronic LED Emergency Constant Power Driver with Factory-wired Test Switch/ Indicator, Face Plate, **Single Exit Flexible Metal Conduit** & Battery End Connectors. Output Range of 15V to 55V for 10W maximum. All Specifications are nominal unless otherwise noted.

## Technical Specification:

FCC Part 15 Class A UL924, CSA C22.2 No. 141-15, Meets CEC Title 20 Standards, ROHS Compliant

Rating: IP30. Battery Type/Model Number: Lithium LiFePO4, 6.4V 3300mAh

Remote Wiring Distance Full Load: 18AWG -18 ft.

Operating Ambient Temp 0-55C



Case Size: MU2

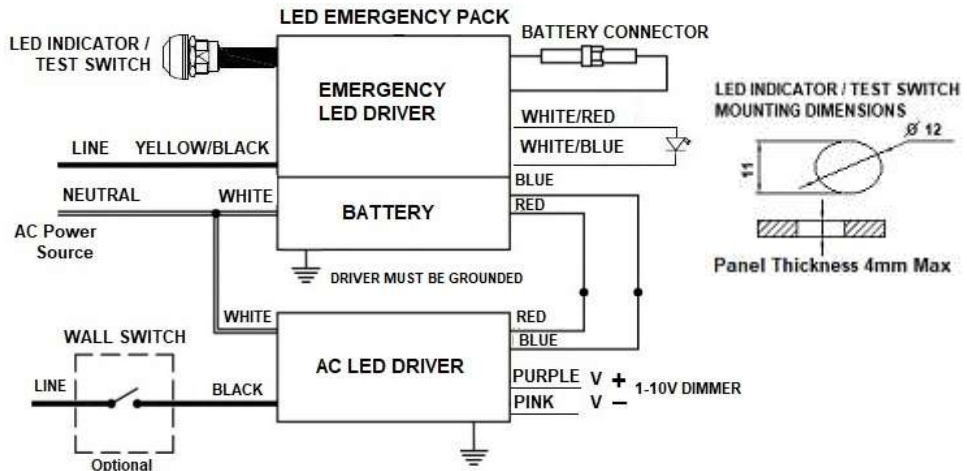
Due to continuing efforts to offer improved products all specifications are subject to change without prior notice

Emergency Operating Duration	Input Current Max	Input Watts Max	Battery Charge Current	Battery Voltage	Battery Charge Time Max	Output Watts Max	Rated Output Current mA Min - Max	Output Voltage Min - Max	MODEL
90 Minutes	110mA	8W	185mA	6.4V	24 hours	10W	180-670mA	15 to 55V	CEM10W1555B64P1FT

### LIMITED WARRANTY

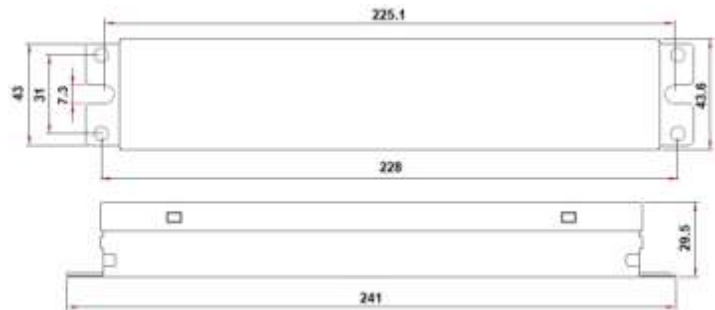
5 YEAR at maximum case temperature 60 deg C. 3 YEAR at maximum case temperature 66 deg C. 3 YEAR for battery. Manufacturer warrants to the purchaser: Product will be free from defects in material or workmanship from the date of manufacture conditioned upon proper storage, installation, use, and maintenance and conformance with any recommendations of Manufacturer

Lead Length		
Colour	inch	cm
White	30	75
Yellow/Black	30	75
Blue	30	75
Red	30	75
Yellow	30	75
Brown	30	75
Battery Connector	33	84
Test Switch	25	63
LED Indicator	6	15



### Case Size Series MU2

L	W	H	ML
241	43	29.5	226mm
9.5	1.7	1.2	8.9 inch



**WARNING:** Always Disconnect Power Before Handling. Case Should be Grounded. Install in Accordance with National and Local Electrical Codes

901 - 3rd Street West, North Vancouver, BC V7P 3P9 Canada

TEL: 604-904-9533

www.sagedrivers.com www.sagelighting.com

*Sage Lighting Ltd.*

# 120V-347V LED EMERGENCY DRIVER

Output Voltage 15V to 55V Constant **Power** 1350-360mA **Max 20W**

For Use with AC Driver and LED Module with 15-55V Output

120-347V Electronic LED Emergency Constant **Power** Driver with **Factory-wired** Test Switch/Indicator, Face Plate, **Flexible Metal Conduit** & Battery End Connectors. Output Range of 15V to 55V for 20W maximum. All Specifications are nominal unless otherwise noted.

## Technical Specification:

FCC Part 15 Class A UL924, CSA C22.2 No. 141-15, Meets CEC Title 20 Standards, ROHS Compliant

Rating: IP30. Battery Type/Model Number: Lithium LiFePO4, 9.6V, 4600mAh

Remote Wiring Distance Full Load: 18AWG -18 ft. Operating Ambient Temp 0-55C



Case Size: EM

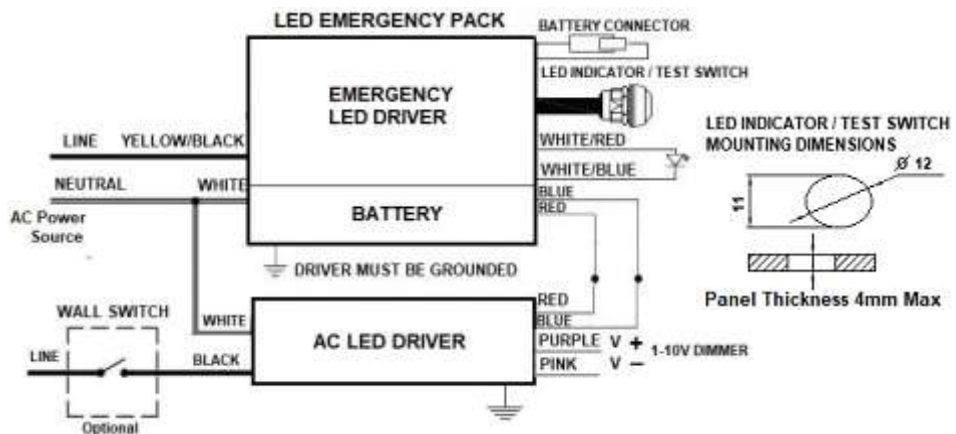
Due to continuing efforts to offer improved products all specifications are subject to change without prior notice

Emergency Operating Duration	Input Current Max	Input Watts Max	Battery Charge Current	Battery Voltage	Battery Charge Time Max	Output Watts Max	Rated Output Current mA Min - Max	Output Voltage Min - Max	MODEL
90 Minutes	130mA	11W	450mA	9.6V	24 hours	20W	360 -1350mA	15 to 55V	CEM20W1555B96PFT

### LIMITED WARRANTY

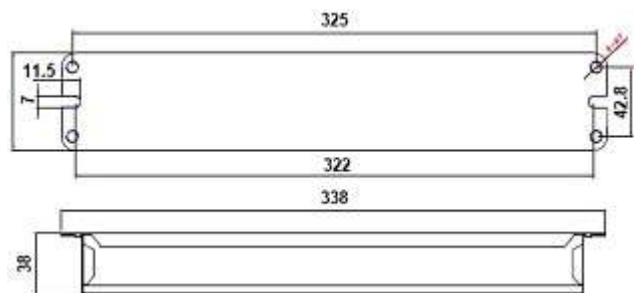
5 YEAR at maximum case temperature 60 deg C. 3 YEAR at maximum case temperature 66 deg C. 3 YEAR for battery. Manufacturer warrants to the purchaser: Product will be free from defects in material or workmanship from the date of manufacture conditioned upon proper storage, installation, use, and maintenance and conformance with any recommendations of Manufacturer

Lead Length		
Colour	inch	cm
White	30	75
Yellow/Black	30	75
Blue	30	75
Red	30	75
Yellow	30	75
Brown	30	75
Battery Connector	33	84
Test Switch	25	63
LED Indicator	6	15



Case Size Series EM

L	W	H	ML
338	62	38	322mm
13.3	2.44	1.49	12.68inch



**WARNING:** Always Disconnect Power Before Handling. Case Should be Grounded. Install in Accordance with National and Local Electrical Codes

901 - 3rd Street West, North Vancouver, BC V7P 3P9 Canada

TEL: 604-904-9533

www.sagedrivers.com www.sagelighting.com

*Sage  
Lighting Ltd.*





# 347V- 480V LED EMERGENCY DRIVER

Output Voltage 15V to 55V Constant **Power 670-180mA Max 10W**

For Use with AC Driver and LED Module with 15-55V Output

347-480V Electronic LED Emergency Constant **Power** Driver with **Factory-wired** Test Switch/ Indicator, Face Plate, & Battery End Connectors for **easy** installation. Output Range of 15V to 55V for 10W maximum. All Specifications are nominal unless otherwise noted.

## Technical Specification:

FCC Part 15 Class A UL924, CSA C22.2 No. 141-15, Meets CEC Title 20 Standards, ROHS Compliant

Rating: IP30. Battery Type/Model Number: Lithium LiFePO4 6.4V 3300mAh

Remote Wiring Distance Full Load: 18AWG -18 ft

For Installation inside an Electrical Enclosure. Operating Ambient Temp 0-55C



Case Size: MU2

Due to continuing efforts to offer improved products all specifications are subject to change without prior notice

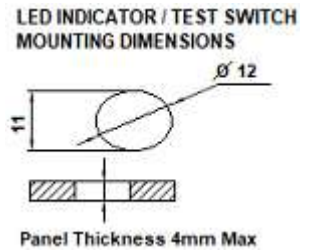
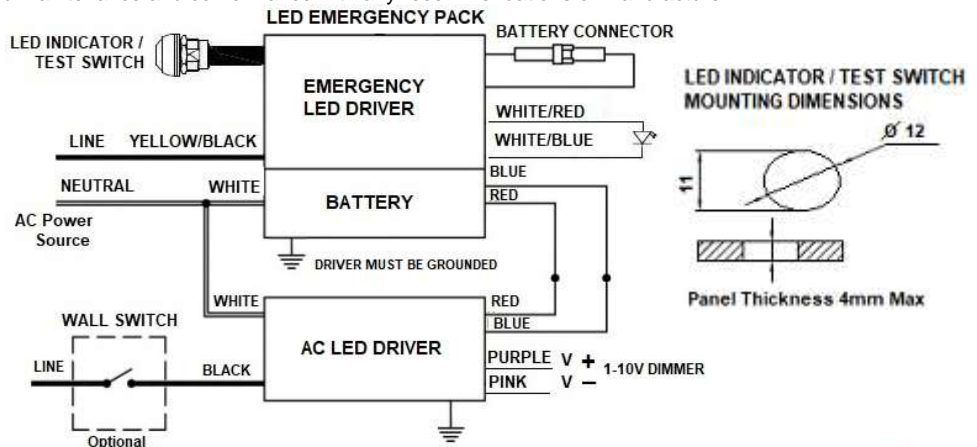
Emergency Operating Duration	Input Current Max	Input Watts Max	Battery Charge Current	Battery Voltage	Battery Charge Time Max	Output Watts Max	Rated Output Current mA Min - Max	Output Voltage Min - Max	MODEL
90 Minutes	110mA	8W	185mA	6.4V	24 hours	10W	180 -670mA	15 to 55V	4EM10W1555B64P

### LIMITED WARRANTY

5 YEAR at maximum case temperature 60 deg C. 3 YEAR at maximum case temperature 66 deg C. 3 YEAR for battery. Manufacturer warrants to the purchaser: Product will be free from defects in material or workmanship from the date of manufacture conditioned upon proper storage, installation, use, and maintenance and conformance with any recommendations of Manufacturer

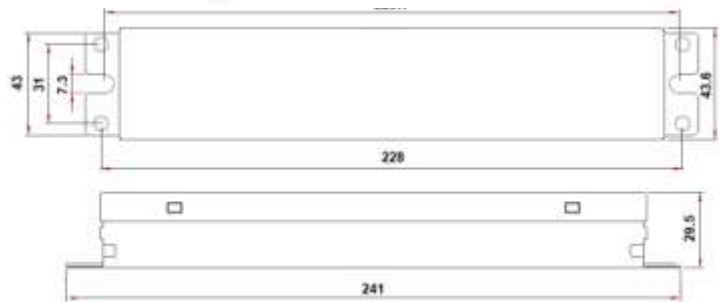
**Lead Length**

Colour	inch	cm
White	22	56
Yellow/Black	19	49
Blue	32	82
Red	32	82
White/Red	26	66
White/Blue	26	66
Battery Connector	33	84
Test Switch	25	63
LED Indicator	6	15



**Case Size Series MU2**

L	W	H	ML
241	43	29.5	226mm
9.5	1.7	1.2	8.9 inch



**WARNING:** Always Disconnect Power Before Handling. Case Should be Grounded. Install in Accordance with National and Local Electrical Codes

# 347V- 480V LED EMERGENCY DRIVER

Output Voltage 15V to 55V Constant **Power 1350-360mA Max 20W**

For Use with AC Driver and LED Module with 15-55V Output

347-480V Electronic LED Emergency Constant **Power** Driver with **Factory-wired** Test Switch/ Indicator, Face Plate & Battery End Connectors for **easy** installation. Output Range of 15V to 55V for 20W maximum. All Specifications are nominal unless otherwise noted.

## Technical Specification:

FCC Part 15 Class A UL924, CSA C22.2 No. 141-15, Meets CEC Title 20 Standards, ROHS Compliant

Rating: IP30. Battery Type/Model Number: Lithium **LiFePO4, 9.6V, 4600mAh**

Remote Wiring Distance Full Load: 18AWG -18 ft

For Installation inside an Electrical Enclosure. Operating Ambient Temp 0-55C



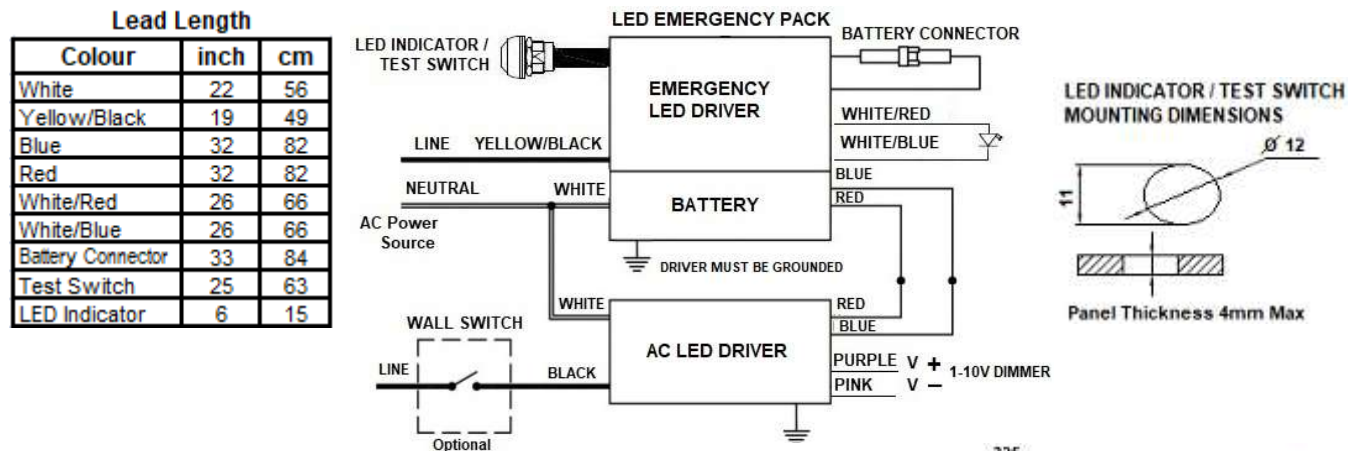
Case Size: EM

Due to continuing efforts to offer improved products all specifications are subject to change without prior notice

Emergency Operating Duration	Input Current Max	Input Watts Max	Battery Charge Current	Battery Voltage	Battery Charge Time Max	Output Watts Max	Rated Output Current mA Min - Max	Output Voltage Min - Max	MODEL
90 Minutes	130mA	11W	450mA	9.6V	48 hours	20W	360 -1350mA	15 to 55V	4EM20W1555B96P

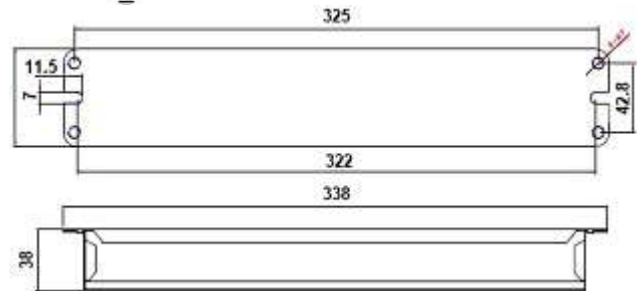
### LIMITED WARRANTY

5 YEAR at maximum case temperature 60 deg C. 3 YEAR at maximum case temperature 66 deg C. 3 YEAR for battery. Manufacturer warrants to the purchaser: Product will be free from defects in material or workmanship from the date of manufacture conditioned upon proper storage, installation, use, and maintenance and conformance with any recommendations of Manufacturer



**Case Size Series EM**

L	W	H	ML
338	62	38	322mm
13.3	2.44	1.49	12.68inch



**WARNING:** Always Disconnect Power Before Handling. Case Should be Grounded. Install in Accordance with National and Local Electrical Codes

# 347V- 480V LED EMERGENCY DRIVER

Output Voltage 15V to 55V Constant **Power 1666-454mA Max 25W**

For Use with AC Driver and LED Module with 15-55V Output

347-480V Electronic LED Emergency Constant **Power** Driver with **Factory-wired** Test Switch/ Indicator, Face Plate & Battery End Connectors for **easy** installation. Output Range of 15V to 55V for 25W maximum. All Specifications are nominal unless otherwise noted.

## Technical Specification:

FCC Part 15 Class A UL924, CSA C22.2 No. 141-15, Meets CEC Title 20 Standards, ROHS Compliant

Rating: IP30. Battery Type/Model Number: Lithium LiFePO4, 9.6V, 6600mAh

Remote Wiring Distance Full Load: 18AWG -18 ft

For Installation inside an Electrical Enclosure. Operating Ambient Temp 0-55C



Case Size: EM

Due to continuing efforts to offer improved products all specifications are subject to change without prior notice

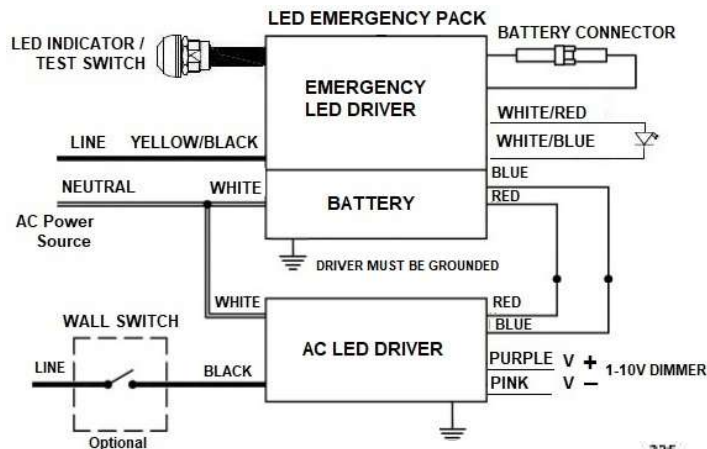
Emergency Operating Duration	Input Current Max	Input Watts Max	Battery Charge Current	Battery Voltage	Battery Charge Time Max	Output Watts Max	Rated Output Current mA Min - Max	Output Voltage Min - Max	MODEL
90 Minutes	130mA	11W	450mA	9.6V	48 hours	25W	454 -1666mA	15 to 55V	4EM25W1555B96P

### LIMITED WARRANTY

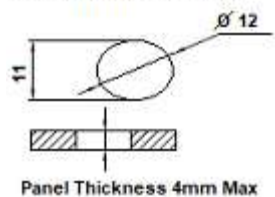
5 YEAR at maximum case temperature 60 deg C. 3 YEAR at maximum case temperature 66 deg C. 3 YEAR for battery. Manufacturer warrants to the purchaser: Product will be free from defects in material or workmanship from the date of manufacture conditioned upon proper storage, installation, use, and maintenance and conformance with any recommendations of Manufacturer

### Lead Length

Colour	inch	cm
White	22	56
Yellow/Black	19	49
Blue	32	82
Red	32	82
White/Red	26	66
White/Blue	26	66
Battery Connector	33	84
Test Switch	25	63
LED Indicator	6	15

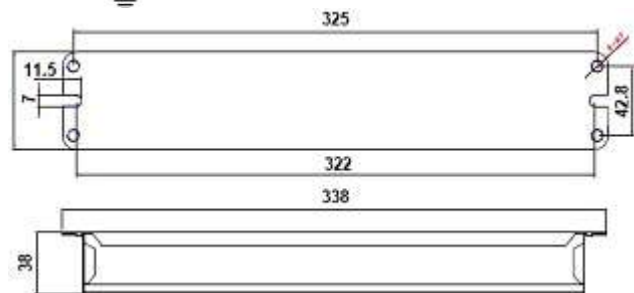


### LED INDICATOR / TEST SWITCH MOUNTING DIMENSIONS



### Case Size Series EM

L	W	H	ML
338	62	38	322mm
13.3	2.44	1.49	12.68inch



**WARNING:** Always Disconnect Power Before Handling. Case Should be Grounded. Install in Accordance with National and Local Electrical Codes



# EMERGENCY PROGRAMMABLE LED DRIVER KIT

## 50W 0-10V Dimming 1-100%

Output Range 15V to 55V Current **400A** to **1400A** Max **50W**

Low Profile Slim Case Size

Universal Voltage 120-277V Electronic Constant Current combination of Programmable Emergency LED Driver with Battery Pack. Max 50W for 0-10V Dimming application with **Factory-wired** Test Switch/ Indicator, Face Plate & Battery End Connectors for **easy** installation.

All Specifications are nominal unless otherwise noted.

### Technical Specification:

UL, CUL Certified, ROHS Compliant

EMI FCC Part 15, Class A

Rating: IP 30 Damp Dry

Output Open/Short Protection

Min. Starting Temp: 0° C

Max. Case Temp: 90° C

Typical Efficiency 83%

Battery Type/Model Number: Lithium LiFePO4 6.4V 3300mAh

Input Voltage range:  $\pm 10\%$

Output Load range  $\pm 5\%$

Input Frequency: 50/60HZ

THD: < 20%

Power Factor Min: 0.90

Remote Wiring Distance Full Load: 18AWG -18 ft



Case Size: E4L

Due to continuing efforts to offer improved products all specifications are subject to change without prior notice

INPUT VOLTAGE	INPUT CURRENT	INPUT WATTS	OUTPUT POWER WATTS MAX	OUTPUT VOLTAGE	OUTPUT CURRENT AMPS	MODEL
120	0.50A	60	50	15 to 55V	400-1400mA	<b>PEM1400C50WSD64E4</b>
277	0.22A					

### Emergency Power Spec

OPERATING DURATION	INPUT CURRENT	INPUT WATTS	Battery Charge Current Max	Battery Voltage	Battery Charge Time Max	OUTPUT WATTS	OUTPUT CURRENT Max	OUTPUT VOLTAGE
90 Minutes	60mA	4	185mA	6.4V	24 hours	10	190	15 to 55V

### LIMITED WARRANTY

5 YEAR at maximum case temperature 60 deg C. 3 YEAR at maximum case temperature 66 deg C. 3 YEAR for battery. Manufacturer warrants to the purchaser: Product will be free from defects in material or workmanship from the date of manufacture conditioned upon proper storage, installation, use, and maintenance and conformance with any recommendations of Manufacturer

**Lead Length**

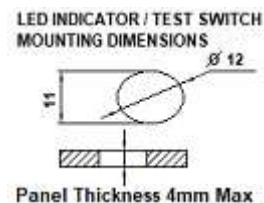
Colour	inch	cm
Black	14	35.6
White	14	35.6
Blue	14	35.6
Red	14	35.6
Yellow/Black	14	35.6
Purple	15	38
Pink	15	38
Test Switch	7	18
LED Indicator	23	60

**0-10V Dimmer Compatibility Chart**

LUTRON	LEVITON
NFTV	DS710-10Z
DVTV-WH	

**Case Size Series E4 / E4L**

L	W	H	ML
450	43	29	438mm
17.72	1.69	1.14	17.24inch



# EMERGENCY PROGRAMMABLE LED DRIVER KIT

## 50W 0-10V Dimming 1-100%

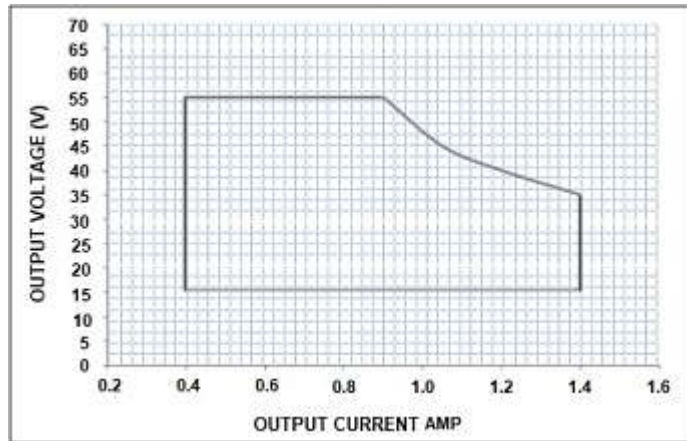
Output Range 15V to 55V Current 400A to 1400A Max **50W**  
 Low Profile Slim Case Size

PEM1400C50WSD64E4 Series E4L

Page...2

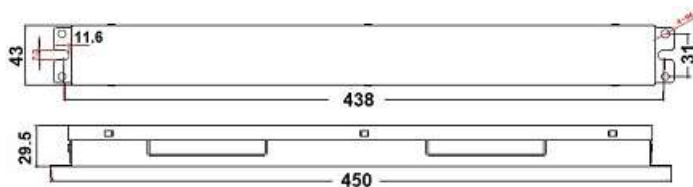
Output Current Code List

Current Value mA	Corresponding Iout Code Location			
400	4A	01	00	01
450	7C	01	00	01
500	A4	01	00	01
550	D1	01	00	01
600	FE	01	00	01
650	26	02	00	01
700	53	02	00	01
750	85	02	00	01
800	A8	02	00	01
850	D7	02	00	01
900	02	03	00	01
950	2F	03	00	01
1000	57	03	00	01
1050	84	03	00	01
1100	B1	03	00	01
1150	D9	03	00	01
1200	06	04	00	01
1250	42	04	00	01
1300	60	04	00	01
1350	88	04	00	01
1400	78	05	00	01



Place the Programmable Wand above the NFC Mark on LED Driver to begin Programming

**WARNING: Always Disconnect Power Before Handling. Case Should be Grounded. Install in Accordance with National and Local Electrical Codes.**



# EMERGENCY LED DRIVER KIT 40W 1-10V Dimming

## Output Range 22V to 38V Constant Current 1050mA Max 40W

Universal Voltage 120-277V Electronic Constant **Current** combination Emergency LED Driver with Battery Pack Max 10W for 1-10V Dimming application. **Factory-wired** Test Switch/ Indicator, Face Plate & Battery End Connectors for **easy** installation. Output Range of 22V to 38V for 40W maximum. All Specifications are nominal unless otherwise noted.

### Technical Specification:

UL, CUL Certified, ROHS Compliant  
 EMI FCC Part 15, Class A  
 Rating: IP 30 Damp Dry  
 Output Open/Short Protection  
 Min. Starting Temp: 0° C  
 Max. Case Temp: 90° C  
 Typical Efficiency 83%

Input Voltage range:  $\pm 10\%$   
 Output Load range  $\pm 5\%$   
 Input Frequency: 50/60HZ  
 THD: < 20%  
 Power Factor Min: 0.90  
 Remote Wiring Distance Full Load: 18AWG -18 ft

Case Size: Series L1

Due to continuing efforts to offer improved products all specifications are subject to change without prior notice

INPUT VOLTAGE	INPUT CURRENT	INPUT WATTS	OUTPUT POWER WATTS MAX	OUTPUT VOLTAGE	OUTPUT CURRENT AMPS	MODEL
120	0.37A	48	40	22 to 38V	1.05	ENU1050C40WSD64
277	0.17A					

### Emergency Power Spec

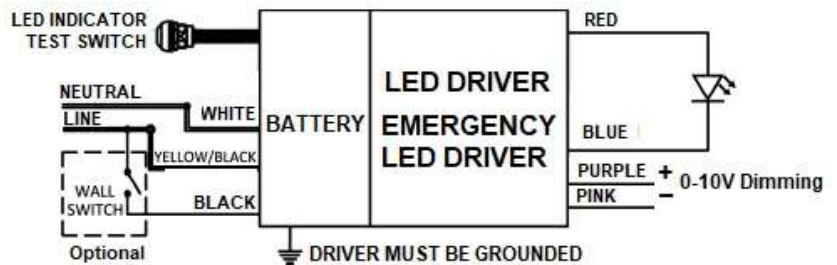
OPERATING DURATION	INPUT CURRENT	INPUT WATTS	Battery Charge Current	Battery Voltage	Battery Charge Time Max	OUTPUT WATTS	OUTPUT CURRENT Max	OUTPUT VOLTAGE
90 Minutes	60mA	4	185mA	6.4V	24 hours	10	190	15 to 55V

### LIMITED WARRANTY

5 YEAR at maximum case temperature 75 deg C. 3 YEAR at maximum case temperature 66 deg C. 3 YEAR for battery. Manufacturer warrants to the purchaser: Product will be free from defects in material or workmanship from the date of manufacture conditioned upon proper storage, installation, use, and maintenance and conformance with any recommendations of Manufacturer

### Lead Length

Colour	inch	cm
Black	6	15.2
White	6	15.2
Blue	6	15.2
Red	6	15.2
Yellow/Black	6	15.2
Purple	7.1	18
Pink	7.1	18
Test Switch	7.1	18
LED Indicator	23	60

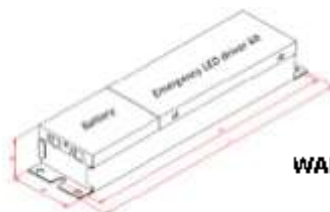


### Case Size Series L1

L	W	H	ML
261	61	337	246mm
10.6	2.4	1.46	9.69 inch

### 0-10V Dimmer Compatibility Chart

LUTRON	LEVITON
NFTV	DS710-10Z
DVTV-WH	



**WARNING: Always Disconnect Power Before Handling.**  
**Case Should be Grounded. Install in Accordance with National and Local Electrical Codes.**

# EMERGENCY LED DRIVER KIT 50W 1-10V Dimming

## Output Range 26V to 43V Constant Current 1150mA Max 50W

Universal Voltage 120-277V Electronic Constant Current combination Emergency LED Driver with Battery Pack Max 10W for 1-10V Dimming application. **Factory-wired** Test Switch/ Indicator, Face Plate & Battery End Connectors for **easy** installation. Output Range of 26V to 43V for 50W maximum. All Specifications are nominal unless otherwise noted.

### Technical Specification:

UL, CUL Certified, ROHS Compliant

EMI FCC Part 15, Class A

Rating: IP 30 Damp Dry

Output Open/Short Protection

Min. Starting Temp: 0° C

Max. Case Temp: 90° C

Typical Efficiency 82%

Input Voltage range:  $\pm 10\%$

Output Load range:  $\pm 5\%$

Input Frequency: 50/60HZ

THD: < 20%

Power Factor Min: 0.90

Remote Wiring Distance Full Load: 18AWG -18 ft

Case Size: Series L1

Due to continuing efforts to offer improved products all specifications are subject to change without prior notice

INPUT VOLTAGE	INPUT CURRENT	INPUT WATTS	OUTPUT POWER WATTS MAX	OUTPUT VOLTAGE	OUTPUT CURRENT AMPS	MODEL
120	0.46A	58	50	26 to 43V	1.15	ENU1150C50WSD64
277	0.24A					

### Emergency Power Spec

OPERATING DURATION	INPUT CURRENT	INPUT WATTS	Battery Charge Current	Battery Voltage	Battery Charge Time Max	OUTPUT WATTS	OUTPUT CURRENT Max	OUTPUT VOLTAGE
90 Minutes	60mA	4	185mA	6.4V	24 hours	10	190	15 to 55V

### LIMITED WARRANTY

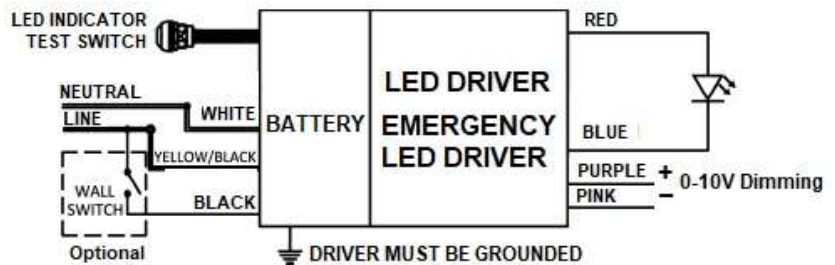
5 YEAR at maximum case temperature 75 deg C. 3 YEAR at maximum case temperature 66 deg C. 3 YEAR for battery. Manufacturer warrants to the purchaser: Product will be free from defects in material or workmanship from the date of manufacture conditioned upon proper storage, installation, use, and maintenance and conformance with any recommendations of Manufacturer

### Lead Length

Colour	inch	cm
Black	6	15.2
White	6	15.2
Blue	6	15.2
Red	6	15.2
Yellow/Black	6	15.2
Purple	7.1	18
Pink	7.1	18
Test Switch	7.1	18
LED Indicator	23	60

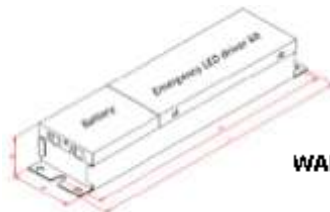
### 0-10V Dimmer Compatibility Chart

LUTRON	LEVITON
NFTV	DS710-10Z
DVTV-WH	



### Case Size Series L1

L	W	H	ML
261	61	337	246mm
10.6	2.4	1.46	9.69 inch



**WARNING: Always Disconnect Power Before Handling.**  
Case Should be Grounded. Install in Accordance with National and Local Electrical Codes.



# EMERGENCY LED DRIVER KIT 60W 1-10V Dimming

## Output Range 24V to 40V Constant Current 1500mA Max 60W

Universal Voltage 120-277V Electronic Constant Current combination Emergency LED Driver with Battery Pack Max 10W for 1-10V Dimming application. **Factory-wired** Test Switch/ Indicator, Face Plate & Battery End Connectors for **easy** installation. Output Range of 24V to 40V for 60W maximum. All Specifications are nominal unless otherwise noted.

### Technical Specification:

UL, CUL Certified, ROHS Compliant  
 EMI FCC Part 15, Class A  
 Rating: IP 30 Damp Dry  
 Output Open/Short Protection  
 Min. Starting Temp: 0° C  
 Max. Case Temp: 90° C  
 Typical Efficiency 84%

Input Voltage range:  $\pm 10\%$   
 Output Load range  $\pm 5\%$   
 Input Frequency: 50/60HZ  
 THD: < 20%  
 Power Factor Min: 0.90  
 Remote Wiring Distance Full Load: 18AWG -18 ft

Case Size: Series L1

Due to continuing efforts to offer improved products all specifications are subject to change without prior notice

INPUT VOLTAGE	INPUT CURRENT	INPUT WATTS	OUTPUT POWER WATTS MAX	OUTPUT VOLTAGE	OUTPUT CURRENT AMPS	MODEL
120	0.66A	71	60	24 to 40V	1.5	ENU1500C60WSD64
277	0.29A					

### Emergency Power Spec

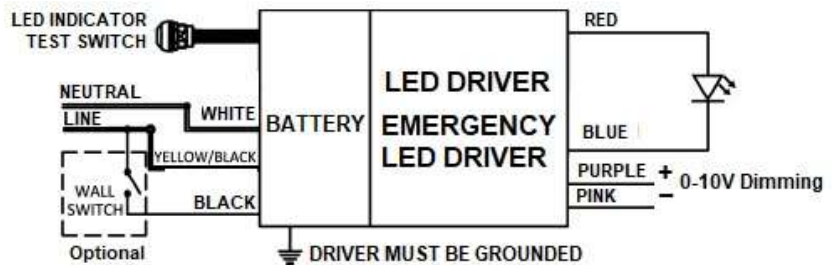
OPERATING DURATION	INPUT CURRENT	INPUT WATTS	Battery Charge Current	Battery Voltage	Battery Charge Time Max	OUTPUT WATTS	OUTPUT CURRENT Max	OUTPUT VOLTAGE
90 Minutes	60mA	4	185mA	6.4V	24 hours	10	190	15 to 55V

### LIMITED WARRANTY

5 YEAR at maximum case temperature 75 deg C. 3 YEAR at maximum case temperature 66 deg C. 3 YEAR for battery. Manufacturer warrants to the purchaser: Product will be free from defects in material or workmanship from the date of manufacture conditioned upon proper storage, installation, use, and maintenance and conformance with any recommendations of Manufacturer

### Lead Length

Colour	inch	cm
Black	6	15.2
White	6	15.2
Blue	6	15.2
Red	6	15.2
Yellow/Black	6	15.2
Purple	7.1	18
Pink	7.1	18
Test Switch	7.1	18
LED Indicator	23	60

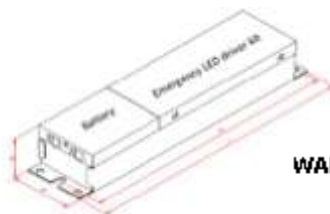


### Case Size Series L1

L	W	H	ML
261	61	337	246mm
10.6	2.4	1.46	9.69 inch

### 0-10V Dimmer Compatibility Chart

LUTRON	LEVITON
NFTV	DS710-10Z
DVTW-WH	



**WARNING: Always Disconnect Power Before Handling.**  
**Case Should be Grounded. Install in Accordance with National and Local Electrical Codes.**



# 120V-347V LED EMERGENCY DRIVER

Output Voltage 15V to 55V Constant **Current 72mA Max 4W**

Low Profile for Use with AC Driver and LED Module with 15-55V Output

120-347V Electronic LED Emergency Constant **Current** Driver with **Factory-wired** Test Switch/Indicator, Face Plate & Battery End Connectors for **easy** installation. Output Range of 15V to 55V for 4W maximum. All Specifications are nominal unless otherwise noted.

## Technical Specification:

FCC Part 15 Class A UL924, CSA C22.2 No. 141-15, Meets CEC Title 20 Standards, ROHS Compliant

Rating: IP30. Battery Type/Model Number: LiFePO4 6.4V 1500mAh

Remote Wiring Distance Full Load: 18AWG -18 ft

For Installation inside an Electrical Enclosure. Operating Ambient Temp 0-50C



Case Size: E10L

Due to continuing efforts to offer improved products all specifications are subject to change without prior notice

Emergency Operating Duration	Input Current Max	Input Watts Max	Battery Charge Current Max	Battery Voltage	Battery Charge Time Max	Output Watts Max	Output Current mA	Output Voltage Min - Max	MODEL
90 Minutes	37mA	2.95W	185mA	6.4V	24 Hrs	4W	72mA	15 to 55V	CEM4W1555B64E10

### LIMITED WARRANTY

5 YEAR at maximum case temperature 60 deg C. 3 YEAR at maximum case temperature 66 deg C. 3 YEAR for battery. Manufacturer warrants to the purchaser: Product will be free from defects in material or workmanship from the date of manufacture conditioned upon proper storage, installation, use, and maintenance and conformance with any recommendations of Manufacturer

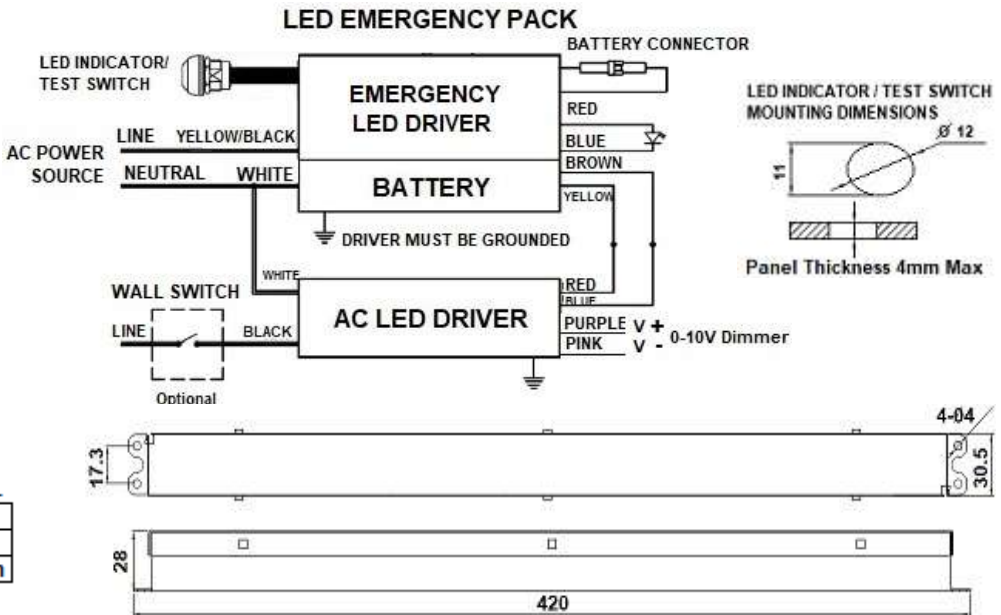
### Lead Length

Colour	inch	cm
White	24	61
Yellow/Black	24	61
Blue	24	61
Red	24	61
Yellow	32	82
Brown	32	82
Battery Connector	33	84
Test Switch	25	63
LED Indicator	6	15



### Case Size Series E10 / E10L

L	W	H	ML
420	30.5	28	413mm
16.5	1.2	1.1	16.25inch



**WARNING:** Always Disconnect Power Before Handling. Case Should be Grounded. Install in Accordance with National and Local Electrical Codes

# 120V-347V LED EMERGENCY DRIVER

Output Voltage 80V to 130V Constant **Current 60mA Max 8W**

For Use with AC Driver and LED Module with 80V to 130V Output

120-347V Electronic LED Emergency Constant **Current** Driver with **Factory-wired** Test Switch/ Indicator, Face Plate & Battery End Connectors for **easy** installation. Output Range of 80V to 130V for 8W maximum. All Specifications are nominal unless otherwise noted

## Technical Specification:

FCC Part 15 Class A UL924, CSA C22.2 No. 141-15, Meets CEC Title 20 Standards, ROHS Compliant

Rating: IP30. Battery Type/Model Number: Lithium LiFePO4 6.4V 3300mAh

Remote Wiring Distance Full Load: 18AWG -18 ft

For Installation inside an Electrical Enclosure.

Operating Ambient Temp 0-50C



Case Size: E10L

Due to continuing efforts to offer improved products all specifications are subject to change without prior notice

Emergency Operating Duration	Input Current Max	Input Watts Max	Battery Charge Current Max	Battery Voltage	Battery Charge Time Max	Output Watts Max	Output Current mA	Output Voltage Min - Max	MODEL
90 Minutes	40mA	3.5W	185mA	6.4V	24 Hrs	8W	60mA	80 to 130V	CEM8W80130B64E10

### LIMITED WARRANTY

5 YEAR at maximum case temperature 60 deg C. 3 YEAR at maximum case temperature 66 deg C. 3 YEAR for battery. Manufacturer warrants to the purchaser: Product will be free from defects in material or workmanship from the date of manufacture conditioned upon proper storage, installation, use, and maintenance and conformance with any recommendations of Manufacturer

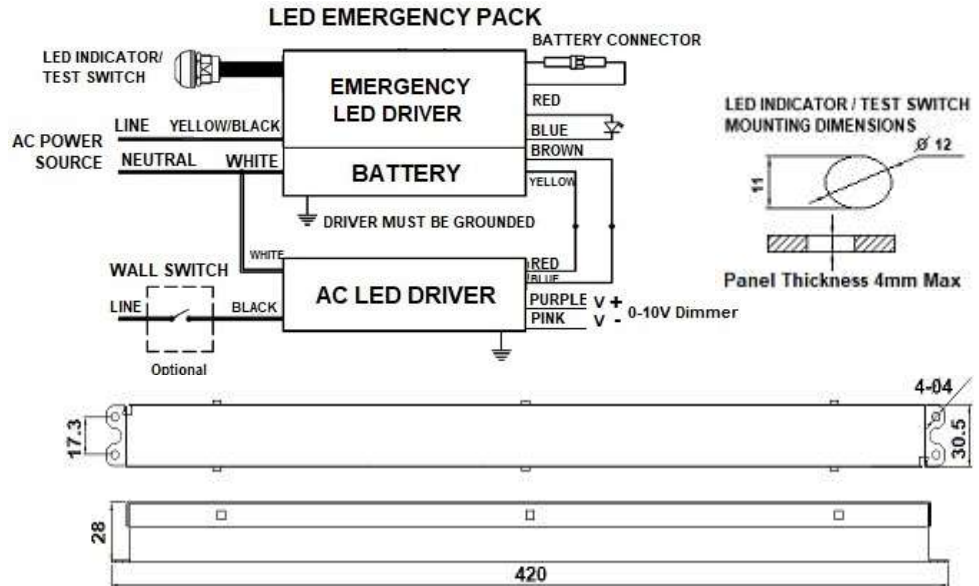
### Lead Length

Colour	inch	cm
White	24	61
Yellow/Black	24	61
Blue	24	61
Red	24	61
Yellow	32	82
Brown	32	82
Battery Connector	33	84
Test Switch	25	63
LED Indicator	6	15



### Case Size Series E10 / E10L

L	W	H	ML
420	30.5	28	413mm
16.5	1.2	1.1	16.25inch



**WARNING:** Always Disconnect Power Before Handling. Case Should be Grounded. Install in Accordance with National and Local Electrical Codes

# 120V-347V LED EMERGENCY DRIVER

Output Voltage 80V to 130V Constant **Current 60mA Max 8W**

For Use with LED Module with 80V to 130V Output

120-347V Electronic LED Emergency Constant **Current** Driver with **Factory-wired** Test Switch/ Indicator, Face Plate & Battery End Connectors for **easy** installation. Output Range of 80V to 130V for 8W maximum. All Specifications are nominal unless otherwise noted.

## Technical Specification:

FCC Part 15 Class A UL924, CSA C22.2 No. 141-15, Meets CEC Title 20 Standards, ROHS Compliant

Rating: IP30. Battery Type/Model Number: Lithium LiFePO4 6.4V 3300mAh

Remote Wiring Distance Full Load: 18AWG -18 ft

For Installation inside an Electrical Enclosure. Operating Ambient Temp 0-50C



Case Size: MU2

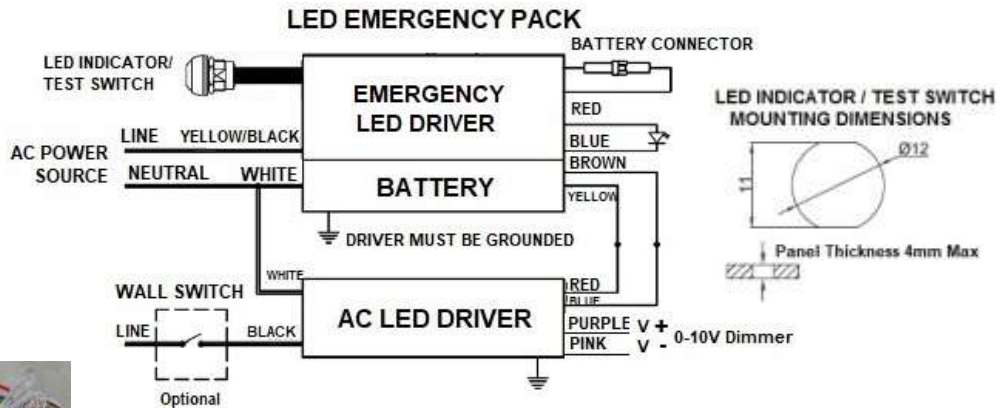
Due to continuing efforts to offer improved products all specifications are subject to change without prior notice

Emergency Operating Duration	Input Current Max	Input Watts Max	Battery Charge Current Max	Battery Voltage	Battery Charge Time Max	Output Watts Max	Output Current mA	Output Voltage Min - Max	MODEL
90 Minutes	40mA	3.5W	185mA	6.4V	24 Hrs	8W	60mA	80 to 130V	CEM8W80130B64

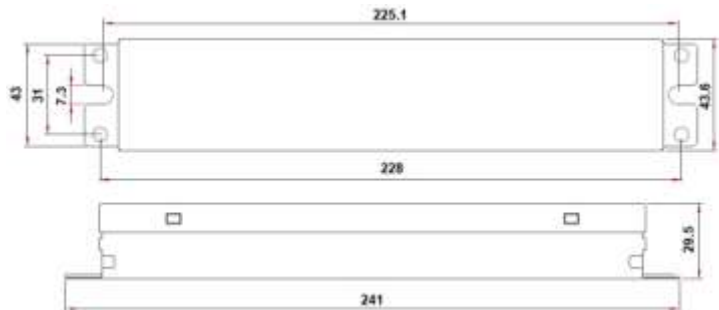
### LIMITED WARRANTY

5 YEAR at maximum case temperature 60 deg C. 3 YEAR at maximum case temperature 66 deg C. 3 YEAR for battery. Manufacturer warrants to the purchaser: Product will be free from defects in material or workmanship from the date of manufacture conditioned upon proper storage, installation, use, and maintenance and conformance with any recommendations of Manufacturer

Lead Length		
Colour	inch	cm
White	22	56
Yellow/Black	19	49
Blue	26	66
Red	26	66
Yellow	32	82
Brown	32	82
Battery Connector	33	84
Test Switch	25	63
LED Indicator	6	15



Case Size Series MU2				
L	W	H	ML	
241	43	29.5	226mm	
9.5	1.7	1.2	8.9 inch	



**WARNING:** Always Disconnect Power Before Handling. Case Should be Grounded. Install in Accordance with National and Local Electrical Codes

# 120V-347V LED EMERGENCY DRIVER

Output Voltage 80V to 176V Constant **Current 45mA Max 8W**

For Use with AC Driver and LED Module with 80V to 176V Output

120-347V Electronic LED Emergency Constant Current Driver with **Factory-wired** Test Switch/ Indicator, Face Plate & Battery End Connectors for **easy** installation. Output Range of 80V to 176V for 8W maximum. All Specifications are nominal unless otherwise noted.

## Technical Specification:

FCC Part 15 Class A UL924, CSA C22.2 No. 141-15, Meets CEC Title 20 Standards, ROHS Compliant

Rating: IP30. Battery Type/Model Number: Lithium LiFePO4 6.4V 3300mAh

Remote Wiring Distance Full Load: 18AWG -18 ft

For Installation inside an Electrical Enclosure. Operating Ambient Temp 0-50C



Case Size: MU2

Due to continuing efforts to offer improved products all specifications are subject to change without prior notice

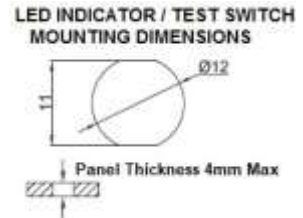
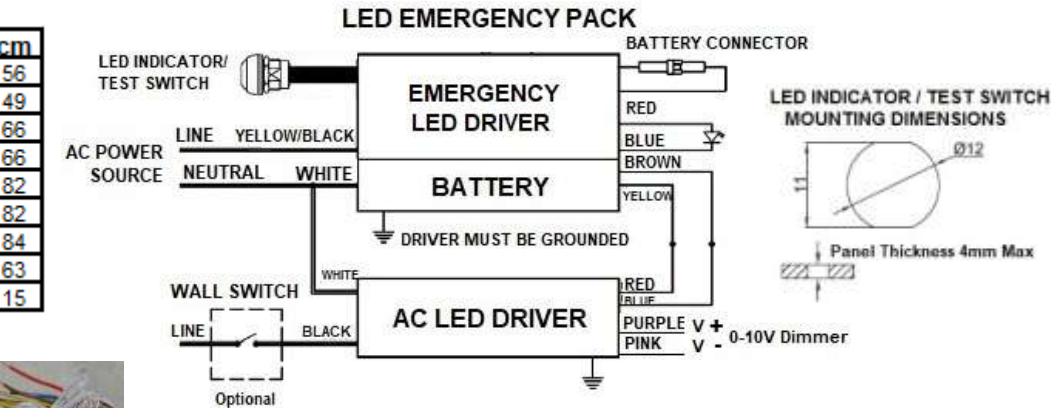
Emergency Operating Duration	Input Current Max	Input Watts Max	Battery Charge Current Max	Battery Voltage	Battery Charge Time Max	Output Watts Max	Output Current mA	Output Voltage Min - Max	MODEL
90 Minutes	40mA	3.5W	185mA	6.4V	24 Hrs	8W	45mA	80 to 176V	CEM8W80176B64

### LIMITED WARRANTY

5 YEAR at maximum case temperature 60 deg C. 3 YEAR at maximum case temperature 66 deg C. 3 YEAR for battery. Manufacturer warrants to the purchaser: Product will be free from defects in material or workmanship from the date of manufacture conditioned upon proper storage, installation, use, and maintenance and conformance with any recommendations of Manufacturer

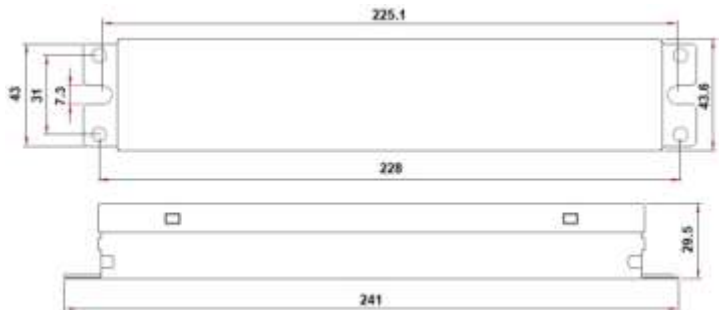
### Lead Length

Colour	inch	cm
White	22	56
Yellow/Black	19	49
Blue	26	66
Red	26	66
Yellow	32	82
Brown	32	82
Battery Connector	33	84
Test Switch	25	63
LED Indicator	6	15



Case Size Series MU2

L	W	H	ML
241	43	29.5	226mm
9.5	1.7	1.2	8.9 inch



**WARNING:** Always Disconnect Power Before Handling. Case Should be Grounded. Install in Accordance with National and Local Electrical Codes

# 120V-347V LED EMERGENCY DRIVER

Output Voltage 15V to 55V Constant **Current 190mA Max 10W**

For Use with AC Driver and LED Module with 15V to 55V Output

120-347V Electronic LED Emergency Constant **Current** Driver with **Factory-wired** Test Switch/Indicator, Face Plate & Battery End Connectors for **easy** installation. Output Range of 15V to 55V for 10W maximum. All Specifications are nominal unless otherwise noted.

## Technical Specification:

FCC Part 15 Class A UL924, CSA C22.2 No. 141-15, Meets CEC Title 20 Standards, ROHS Compliant

Rating: IP30. Battery Type/Model Number: LiFePO4 6.4V 3300mAh

Remote Wiring Distance Full Load: 18AWG -18 ft

For Installation inside an Electrical Enclosure. Operating Ambient Temp 0-50C



Case Size: MU2

Due to continuing efforts to offer improved products all specifications are subject to change without prior notice

Emergency Operating Duration	Input Current Max	Input Watts Max	Battery Charge Current Max	Battery Voltage	Battery Charge Time Max	Output Watts Max	Output Current mA	Output Voltage Min - Max	MODEL
90 Minutes	37mA	2.95W	185mA	6.4V	24 Hrs	10W	190mA	15 to 55V	CEM10W1555B64

### LIMITED WARRANTY

5 YEAR at maximum case temperature 60 deg C. 3 YEAR at maximum case temperature 66 deg C. 3 YEAR for battery. Manufacturer warrants to the purchaser: Product will be free from defects in material or workmanship from the date of manufacture conditioned upon proper storage, installation, use, and maintenance and conformance with any recommendations of Manufacturer

### Lead Length

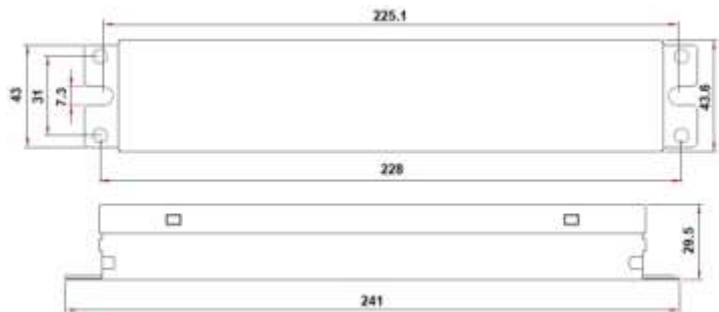
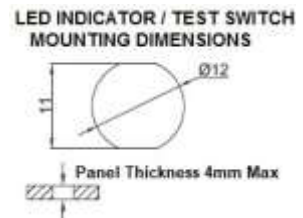
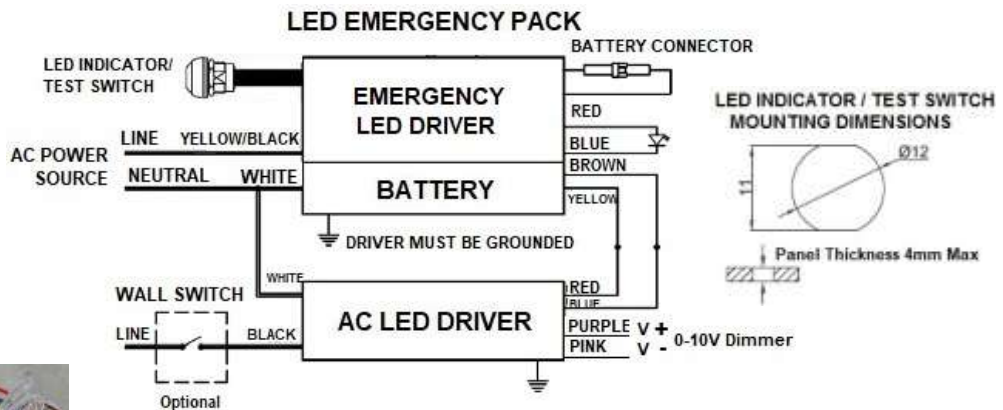
Colour	inch	cm
White	22	56
Yellow/Black	19	49
Blue	26	66
Red	26	66
Yellow	32	82
Brown	32	82
Battery Connector	33	84
Test Switch	25	63
LED Indicator	6	15



Case Size Series MU2

L	W	H	ML
241	43	29.5	226mm
9.5	1.7	1.2	8.9 inch

**WARNING:** Always Disconnect Power Before Handling. Case Should be Grounded. Install in Accordance with National and Local Electrical Codes



# 120V-347V LED EMERGENCY DRIVER

Output Voltage 15V to 55V Constant **Current 190mA Max 10W**

Low Profile for Use with LED Module with 15-55V Output

120-347V Electronic LED Emergency Constant **Current** Driver with **Factory-wired** Test Switch/Indicator, Face Plate & Battery End Connectors for **easy** installation. Output Range of 15V to 55V for 10W maximum. All Specifications are nominal unless otherwise noted.

## Technical Specification:

FCC Part 15 Class A UL924, CSA C22.2 No. 141-15, Meets CEC Title 20 Standards, ROHS Compliant

Rating: IP30. Battery Type/Model Number: LiFePO4 6.4V 3300mAh

Remote Wiring Distance Full Load: 18AWG -18 ft

For Installation inside an Electrical Enclosure. Operating Ambient Temp 0-50C



Case Size: E10L

Due to continuing efforts to offer improved products all specifications are subject to change without prior notice 2/8/23

Emergency Operating Duration	Input Current Max	Input Watts Max	Battery Charge Current Max	Battery Voltage	Battery Charge Time Max	Output Watts Max	Output Current mA	Output Voltage Min - Max	MODEL
90 Minutes	37mA	2.95W	185mA	6.4V	24 Hrs	10W	190mA	15 to 55V	CEM10W1555B64E10

### LIMITED WARRANTY

5 YEAR at maximum case temperature 60 deg C. 3 YEAR at maximum case temperature 66 deg C. 3 YEAR for battery. Manufacturer warrants to the purchaser: Product will be free from defects in material or workmanship from the date of manufacture conditioned upon proper storage, installation, use, and maintenance and conformance with any recommendations of Manufacturer

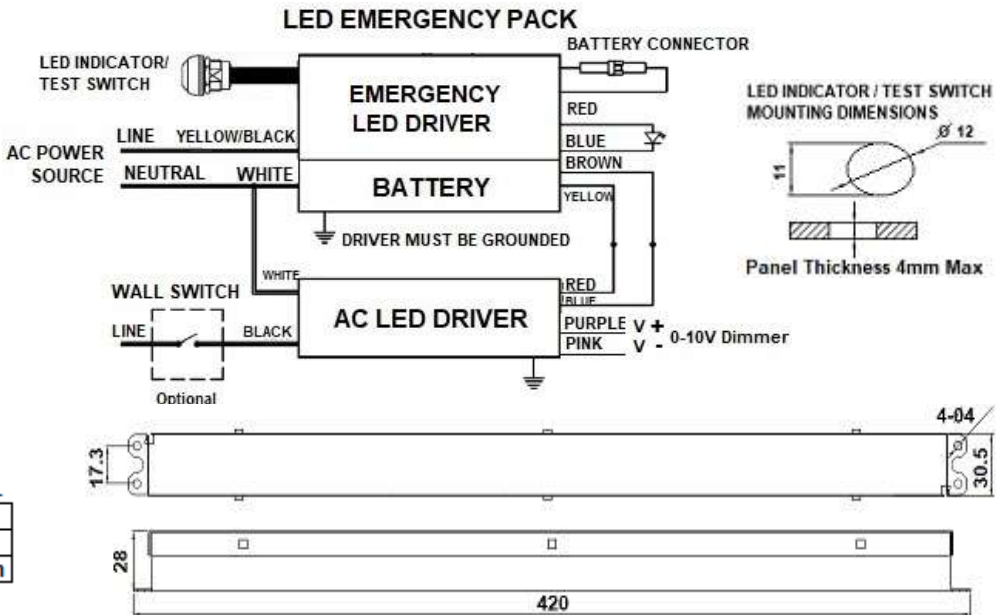
### Lead Length

Colour	inch	cm
White	24	61
Yellow/Black	24	61
Blue	24	61
Red	24	61
Yellow	32	82
Brown	32	82
Battery Connector	33	84
Test Switch	25	63
LED Indicator	6	15



### Case Size Series E10 / E10L

L	W	H	ML
420	30.5	28	413mm
16.5	1.2	1.1	16.25inch



**WARNING:** Always Disconnect Power Before Handling. Case Should be Grounded. Install in Accordance with National and Local Electrical Codes



# 120V-347V LED EMERGENCY DRIVER

Output Voltage 15V to 55V Constant **Current 380mA Max 20W**

For Use with AC Driver and LED Module with 15V to 55V Output

120-347V Electronic LED Emergency Constant **Current** Driver with **Factory-wired** Test Switch/ Indicator, Face Plate & Battery End Connectors for **easy** installation. Output Range of 15V to 55V for 20W maximum. All Specifications are nominal unless otherwise noted.

## Technical Specification:

FCC Part 15 Class A UL924, CSA C22.2 No. 141-15, Meets CEC Title 20 Standards, ROHS Compliant

Rating: IP30. Battery Type/Model Number: Lithium LiFePO4, 9.6V, 4600mAh

Remote Wiring Distance Full Load: 18AWG -18 ft

For Installation inside an Electrical Enclosure Operating Ambient Temp 0-50C



Case Size: EM

Due to continuing efforts to offer improved products all specifications are subject to change without prior notice

Emergency Operating Duration	Input Current Max	Input Watts Max	Battery Charge Current Max	Battery Voltage	Battery Charge Time Max	Output Watts Max	Output Current mA	Output Voltage Min - Max	MODEL
90 Minutes	113mA	4.6W	450mA	9.6V	24 Hrs	20W	380mA	15 to 55V	CEM20W1555B96

### LIMITED WARRANTY

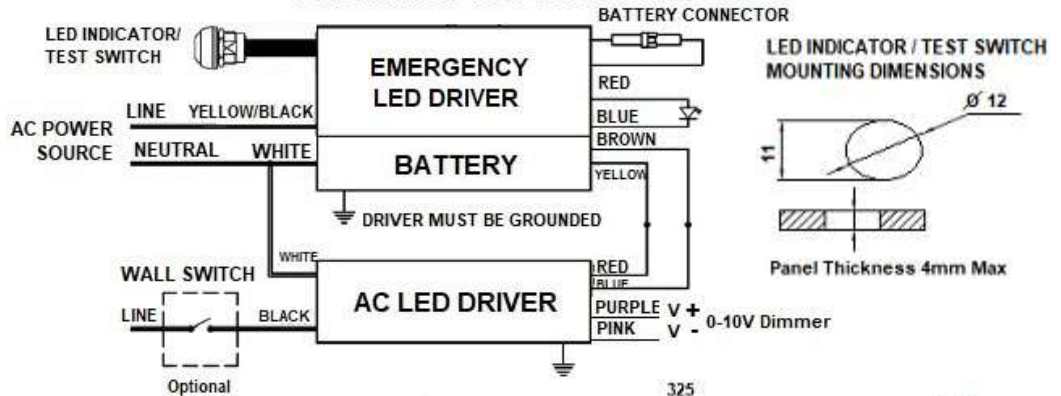
5 YEAR at maximum case temperature 60 deg C. 3 YEAR at maximum case temperature 66 deg C. 3 YEAR for battery. Manufacturer warrants to the purchaser: Product will be free from defects in material or workmanship from the date of manufacture conditioned upon proper storage, installation, use, and maintenance and conformance with any recommendations of Manufacturer

### Lead Length

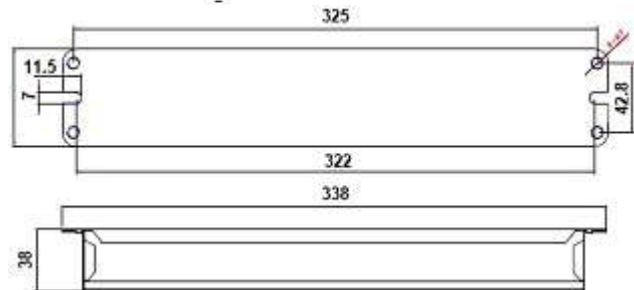
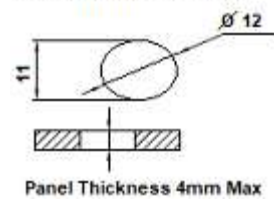
Colour	inch	cm
White	22	56
Yellow/Black	19	49
Blue	26	66
Red	26	66
Yellow	32	82
Brown	32	82
Battery Connector	33	84
Test Switch	25	63
LED Indicator	6	15



### LED EMERGENCY PACK



### LED INDICATOR / TEST SWITCH MOUNTING DIMENSIONS



### Case Size Series EM

L	W	H	ML
338	62	38	322mm
13.3	2.44	1.49	12.68inch

**WARNING:** Always Disconnect Power Before Handling. Case Should be Grounded. Install in Accordance with National and Local Electrical Codes

# 120V-347V LED EMERGENCY DRIVER

Output Voltage 80V to 130V Constant **Current 220mA Max 28.6W**

For Use with AC Driver and LED Module with 80V to 130V Output

120-347V Electronic LED Emergency Constant **Current** Driver with **Factory-wired** Test Switch/Indicator, Face Plate & Battery End Connectors for **easy** installation. Output Range of 80V to 130V for 28.6W maximum. All Specifications are nominal unless otherwise noted.

## Technical Specification:

FCC Part 15 Class A UL924, CSA C22.2 No. 141-15, Meets CEC Title 20 Standards, ROHS Compliant

Rating: IP30. Battery Type/Model Number: Lithium LiFePO4, 9.6V, 6600mAh

Remote Wiring Distance Full Load: 18AWG -18 ft

For Installation inside an Electrical Enclosure. Operating Ambient Temp 0-50C



Case Size: EM

Due to continuing efforts to offer improved products all specifications are subject to change without prior notice

OPERATING DURATION	INPUT CURRENT	INPUT WATTS	Battery Charge Current	Battery Voltage	Battery Charge Time Max	OUTPUT WATTS Max	OUTPUT CURRENT Max	OUTPUT VOLTAGE Max	MODEL
90 Minutes	113mA	8.7W	450mA	9.6V	24 hours	28.6W	220mA	80 to 130V	CEM28W80130B96

### LIMITED WARRANTY

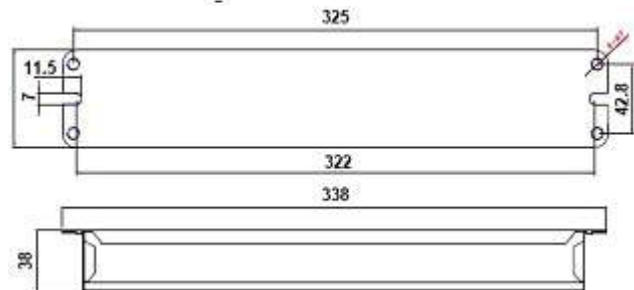
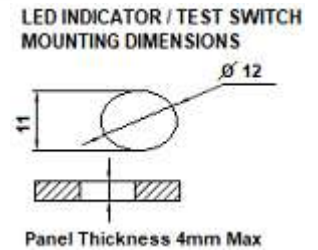
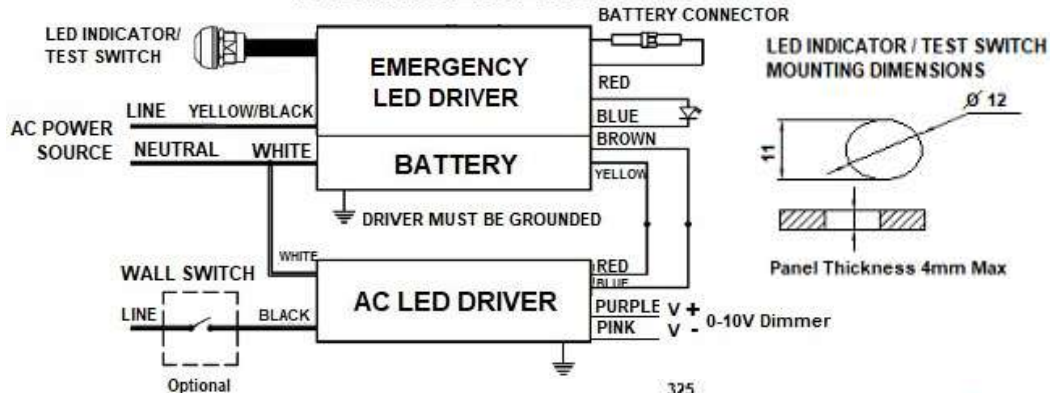
5 YEAR at maximum case temperature 60 deg C. 3 YEAR at maximum case temperature 66 deg C. 3 YEAR for battery. Manufacturer warrants to the purchaser: Product will be free from defects in material or workmanship from the date of manufacture conditioned upon proper storage, installation, use, and maintenance and conformance with any recommendations of Manufacturer

### Lead Length

Colour	inch	cm
White	22	56
Yellow/Black	19	49
Blue	26	66
Red	26	66
Yellow	32	82
Brown	32	82
Battery Connector	33	84
Test Switch	25	63
LED Indicator	6	15



### LED EMERGENCY PACK



### Case Size Series EM

L	W	H	ML
338	62	38	322mm
13.3	2.44	1.49	12.68inch

**WARNING:** Always Disconnect Power Before Handling. Case Should be Grounded. Install in Accordance with National and Local Electrical Codes

901 - 3rd Street West, North Vancouver, BC V7P 3P9 Canada

TEL: 604-904-9533

www.sagedrivers.com www.sagelighting.com



# 120V-347V LED EMERGENCY DRIVER

Output Voltage 80V to 176V Constant **Current** 160mA **Max 28W**

For Use with AC Driver and LED Module with 80V to 176V Output

120-347V Electronic LED Emergency Constant **Current** Driver with **Factory-wired** Test Switch/Indicator, Face Plate & Battery End Connectors for **easy** installation. Output Range of 80V to 176V for 28W maximum. All Specifications are nominal unless otherwise noted.

## Technical Specification:

FCC Part 15 Class A UL924, CSA C22.2 No. 141-15, Meets CEC Title 20 Standards, ROHS Compliant

Rating: IP30. Battery Type/Model Number: Lithium LiFePO4, 9.6V, 6600mAh

Remote Wiring Distance Full Load: 18AWG -18 ft

For Installation inside an Electrical Enclosure. Operating Ambient Temp 0-50C



Case Size: EM

Due to continuing efforts to offer improved products all specifications are subject to change without prior notice

OPERATING DURATION	INPUT CURRENT	INPUT WATTS	Battery Charge Current	Battery Voltage	Battery Charge Time Max	OUTPUT WATTS Max	OUTPUT CURRENT Max	OUTPUT VOLTAGE Max	MODEL
90 Minutes	113mA	4.6W	210mA	9.6V	24 hours	28W	160mA	80 to 176V	<b>CEM28W80176B96</b>

### LIMITED WARRANTY

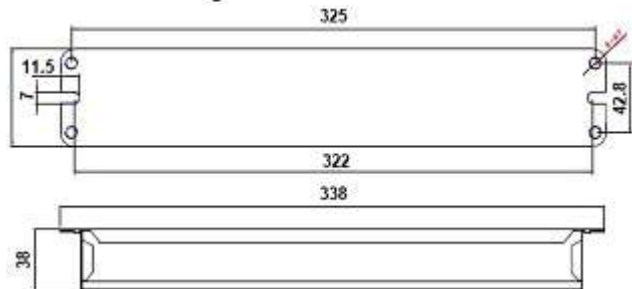
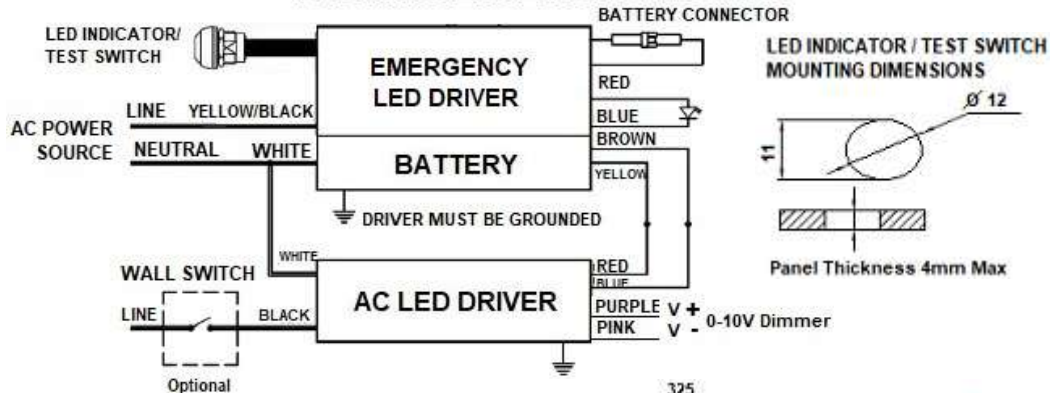
5 YEAR at maximum case temperature 60 deg C. 3 YEAR at maximum case temperature 66 deg C. 3 YEAR for battery. Manufacturer warrants to the purchaser: Product will be free from defects in material or workmanship from the date of manufacture conditioned upon proper storage, installation, use, and maintenance and conformance with any recommendations of Manufacturer

### Lead Length

Colour	inch	cm
White	22	56
Yellow/Black	19	49
Blue	26	66
Red	26	66
Yellow	32	82
Brown	32	82
Battery Connector	33	84
Test Switch	25	63
LED Indicator	6	15



### LED EMERGENCY PACK



### Case Size Series EM

L	W	H	ML
338	62	38	322mm
13.3	2.44	1.49	12.68inch

**WARNING:** Always Disconnect Power Before Handling. Case Should be Grounded. Install in Accordance with National and Local Electrical Codes

901 - 3rd Street West, North Vancouver, BC V7P 3P9 Canada

TEL: 604-904-9533

www.sagedrivers.com www.sagelighting.com





# 120V-347V LED EMERGENCY DRIVER

Output Voltage 80V to 130V Constant **Current 60mA Max 8W**

For Use with LED Module with 80V to 130V Output

120-347V Electronic LED Emergency Constant **Current** Driver with **Factory-wired** Test Switch/Indicator, Face Plate, **Flexible Metal Conduit** & Battery End Connectors for **easy** installation. Output Range of 80V to 130V for 8W maximum.

All Specifications are nominal unless otherwise noted.

## Technical Specification:

FCC Part 15 Class A UL924, CSA C22.2 No. 141-15, Meets CEC Title 20 Standards, ROHS Compliant

Rating: IP30. Battery Type/Model Number: Lithium LiFePO4 6.4V 3300mAh

Remote Wiring Distance Full Load: 18AWG -18 ft. Operating Ambient Temp 0-50C



Case Size: MU2

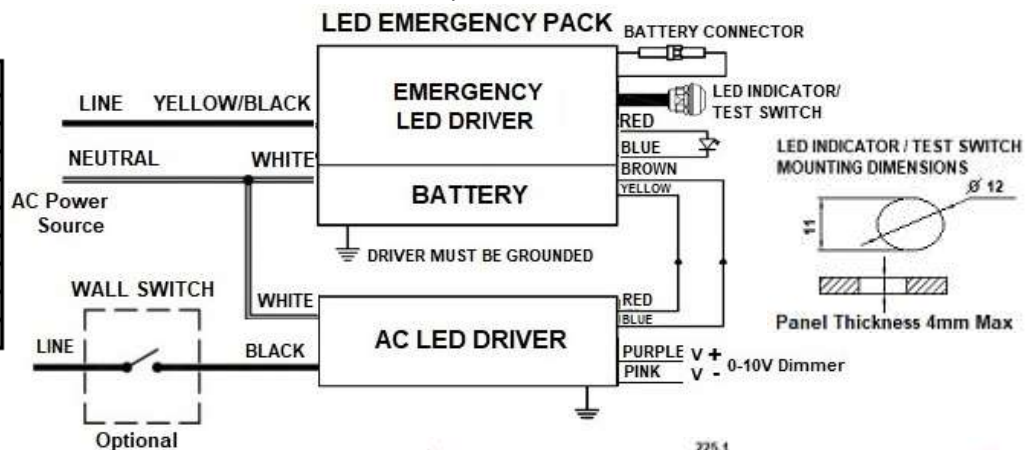
Due to continuing efforts to offer improved products all specifications are subject to change without prior notice

Emergency Operating Duration	Input Current Max	Input Watts Max	Battery Charge Current	Battery Voltage	Battery Charge Time Max	Output Watts Max	Rated Output Current mA	Output Voltage Min - Max	MODEL
90 Minutes	40mA	3.5W	185mA	6.4V	24 hours	8W	60mA	80 to 130V	CEM8W80130B64CFT

### LIMITED WARRANTY

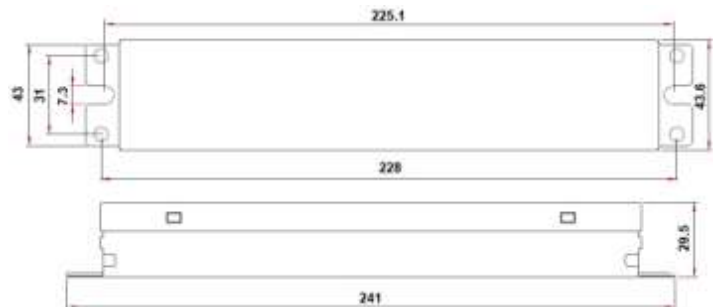
5 YEAR at maximum case temperature 60 deg C. 3 YEAR at maximum case temperature 66 deg C. 3 YEAR for battery. Manufacturer warrants to the purchaser: Product will be free from defects in material or workmanship from the date of manufacture conditioned upon proper storage, installation, use, and maintenance and conformance with any recommendations of Manufacturer

Lead Length		
Colour	inch	cm
White	30	75
Yellow/Black	30	75
Blue	30	75
Red	30	75
Yellow	30	75
Brown	30	75
Battery Connector	33	84
Test Switch	25	63
LED Indicator	6	15



### Case Size Series MU2

L	W	H	ML
241	43	29.5	226mm
9.5	1.7	1.2	8.9 inch



**WARNING:** Always Disconnect Power Before Handling. Case Should be Grounded. Install in Accordance with National and Local Electrical Codes

901 - 3rd Street West, North Vancouver, BC V7P 3P9 Canada

TEL: 604-904-9533

www.sagedrivers.com www.sagelighting.com

*Sage Lighting Ltd.*

# 120V-347V LED EMERGENCY DRIVER

Output Voltage 80V to 176V Constant **Current 45mA Max 8W**

For Use with AC Driver and LED Module with 80V to 176V Output

120-347V Electronic LED Emergency Constant **Current** Driver with **Factory-wired** Test Switch/ Indicator, Face Plate, **Flexible Metal Conduit** & Battery End Connectors for **easy** installation. Output Range of 80V to 176V for 8W maximum. All Specifications are nominal unless otherwise noted.

## Technical Specification:

FCC Part 15 Class A UL924, CSA C22.2 No. 141-15, Meets CEC Title 20 Standards, ROHS Compliant

Rating: IP30. Battery Type/Model Number: LiFePO4 6.4V 3300mAh

Remote Wiring Distance Full Load: 18AWG -18 ft. Operating Ambient Temp 0-50C



Case Size: MU2

Due to continuing efforts to offer improved products all specifications are subject to change without prior notice

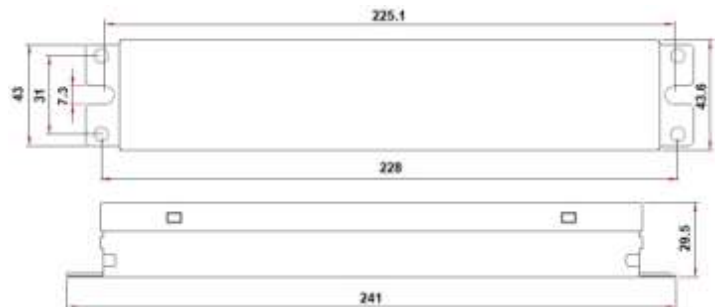
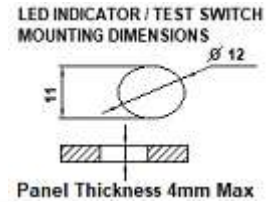
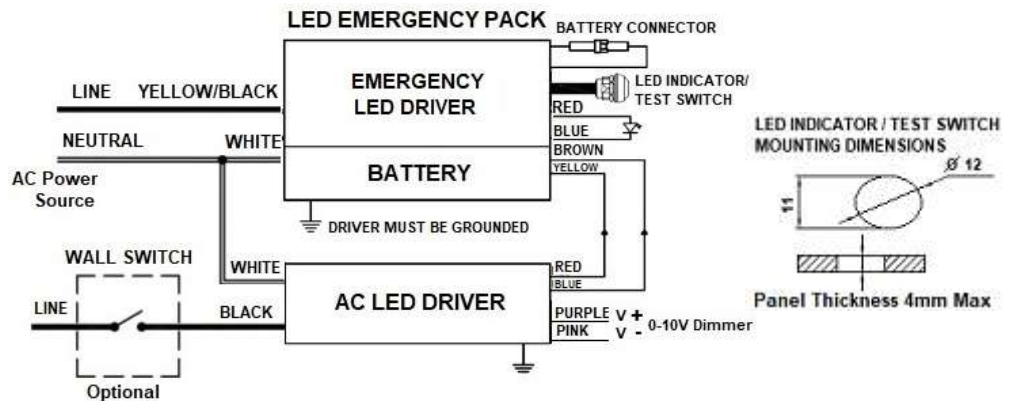
Emergency Operating Duration	Input Current Max	Input Watts Max	Battery Charge Current Max	Battery Voltage	Battery Charge Time Max	Output Watts Max	Output Current mA	Output Voltage Min - Max	MODEL
90 Minutes	40mA	3.5W	185mA	6.4V	24 Hrs	8W	45mA	80 to 176V	CEM8W80176B64CFT

### LIMITED WARRANTY

5 YEAR at maximum case temperature 60 deg C. 3 YEAR at maximum case temperature 66 deg C. 3 YEAR for battery. Manufacturer warrants to the purchaser: Product will be free from defects in material or workmanship from the date of manufacture conditioned upon proper storage, installation, use, and maintenance and conformance with any recommendations of Manufacturer

### Lead Length

Colour	inch	cm
White	30	75
Yellow/Black	30	75
Blue	30	75
Red	30	75
Yellow	30	75
Brown	30	75
Battery Connector	33	84
Test Switch	25	63
LED Indicator	6	15



### Case Size Series MU2

L	W	H	ML
241	43	29.5	226mm
9.5	1.7	1.2	8.9 inch



**WARNING:** Always Disconnect Power Before Handling. Case Should be Grounded. Install in Accordance with National and Local Electrical Codes

# 120V-347V LED EMERGENCY DRIVER

Output Voltage 15V to 55V Constant **Current 190mA Max 10W**

For Use with AC Driver and LED Module with 15-55V Output

120-347V Electronic LED Emergency Constant **Current** Driver with **Factory-wired** Test Switch/Indicator, Face Plate, **Flexible Metal Conduit** & Battery End Connectors for **easy** installation. Output Range of 15V to 55V for 10W maximum. All Specifications are nominal unless otherwise noted.

## Technical Specification:

FCC Part 15 Class A UL924, CSA C22.2 No. 141-15, Meets CEC Title 20 Standards, ROHS Compliant

Rating: IP30. Battery Type/Model Number: LiFePO4 6.4V 3300mAh

Remote Wiring Distance Full Load: 18AWG -18 ft. Operating Ambient Temp 0-50C



Case Size: **MU2**

Due to continuing efforts to offer improved products all specifications are subject to change without prior notice

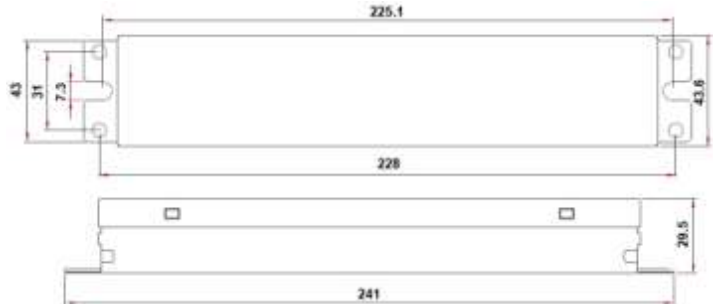
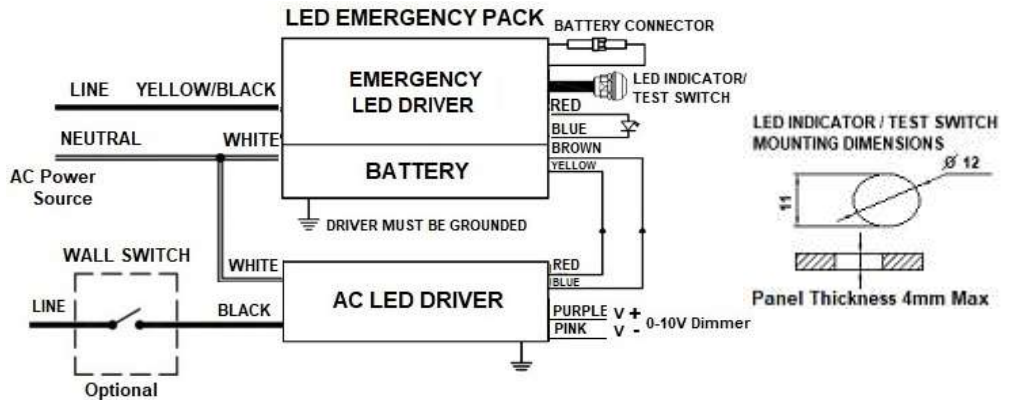
Emergency Operating Duration	Input Current Max	Input Watts Max	Battery Charge Current Max	Battery Voltage	Battery Charge Time Max	Output Watts Max	Output Current mA	Output Voltage Min - Max	MODEL
90 Minutes	37mA	2.95W	185mA	6.4V	24 Hrs	10W	190mA	15 to 55V	<b>CEM10W1555B64CFT</b>

### LIMITED WARRANTY

5 YEAR at maximum case temperature 60 deg C. 3 YEAR at maximum case temperature 66 deg C. 3 YEAR for battery. Manufacturer warrants to the purchaser: Product will be free from defects in material or workmanship from the date of manufacture conditioned upon proper storage, installation, use, and maintenance and conformance with any recommendations of Manufacturer

### Lead Length

Colour	inch	cm
White	30	75
Yellow/Black	30	75
Blue	30	75
Red	30	75
Yellow	30	75
Brown	30	75
Battery Connector	33	84
Test Switch	25	63
LED Indicator	6	15



### Case Size Series MU2

L	W	H	ML
241	43	29.5	226mm
9.5	1.7	1.2	8.9 inch



**WARNING:** Always Disconnect Power Before Handling. Case Should be Grounded. Install in Accordance with National and Local Electrical Codes

# 120V-347V LED EMERGENCY DRIVER

Output Voltage 15V to 55V Constant **Current 380mA Max 20W**

For Use with AC Driver and LED Module with 15V to 55V Output

120-347V Electronic LED Emergency Constant **Current** Driver with **Factory-wired** Test Switch/Indicator, Face Plate, **Flexible Metal Conduit** & Battery End Connectors for **easy** installation. Output Range of 15V to 55V for 20W maximum. All Specifications are nominal unless otherwise noted.

## Technical Specification:

FCC Part 15 Class A UL924, CSA C22.2 No. 141-15, Meets CEC Title 20 Standards, ROHS Compliant  
 Rating: IP30. Battery Type/Model Number: Lithium LiFePO4, 9.6V, 4600mAh  
 Remote Wiring Distance Full Load: 18AWG -18 ft. Operating Ambient Temp 0-50C



Case Size: EM

Due to continuing efforts to offer improved products all specifications are subject to change without prior notice

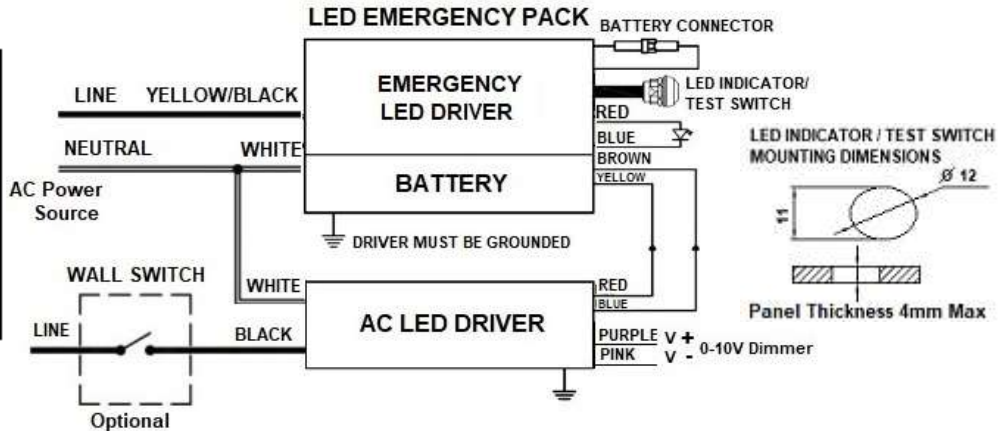
Emergency Operating Duration	Input Current Max	Input Watts Max	Battery Charge Current	Battery Voltage	Battery Charge Time Max	Output Watts Max	Rated Output Current mA	Output Voltage Min - Max	MODEL
90 Minutes	113mA	4.6W	450mA	9.6V	24 hours	20W	380mA	15 to 55V	CEM20W1555B96CFT

### LIMITED WARRANTY

5 YEAR at maximum case temperature 60 deg C. 3 YEAR at maximum case temperature 66 deg C. 3 YEAR for battery. Manufacturer warrants to the purchaser: Product will be free from defects in material or workmanship from the date of manufacture conditioned upon proper storage, installation, use, and maintenance and conformance with any recommendations of Manufacturer

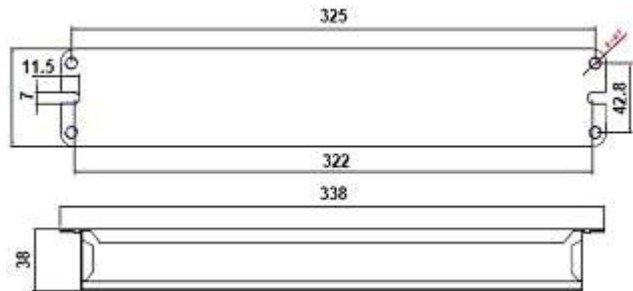
### Lead Length

Colour	inch	cm
White	30	75
Yellow/Black	30	75
Blue	30	75
Red	30	75
Yellow	30	75
Brown	30	75
Battery Connector	33	84
Test Switch	25	63
LED Indicator	6	15



### Case Size Series EM

L	W	H	ML
338	62	38	322mm
13.3	2.44	1.49	12.68inch



**WARNING:** Always Disconnect Power Before Handling. Case Should be Grounded. Install in Accordance with National and Local Electrical Codes



# 120V-347V LED EMERGENCY DRIVER

Output Voltage 80V to 130V Constant **Current 220mA Max 28.6W**

For Use with AC Driver and LED Module with 80V to 130V Output

120-347V Electronic LED Emergency Constant **Current** Driver with **Factory-wired** Test Switch/Indicator, Face Plate, **Flexible Metal Conduit** & Battery End Connectors for **easy** installation. Output Range of 80V to 130V for 28.6W maximum. All Specifications are nominal unless otherwise noted.

## Technical Specification:

FCC Part 15 Class A UL924, CSA C22.2 No. 141-15, Meets CEC Title 20 Standards, ROHS Compliant  
 Rating: IP30. Battery Type/Model Number: Lithium LiFePO4, 9.6V, 6600mAh  
 Remote Wiring Distance Full Load: 18AWG -18 ft. Operating Ambient Temp 0-50C



Case Size: EM

Due to continuing efforts to offer improved products all specifications are subject to change without prior notice

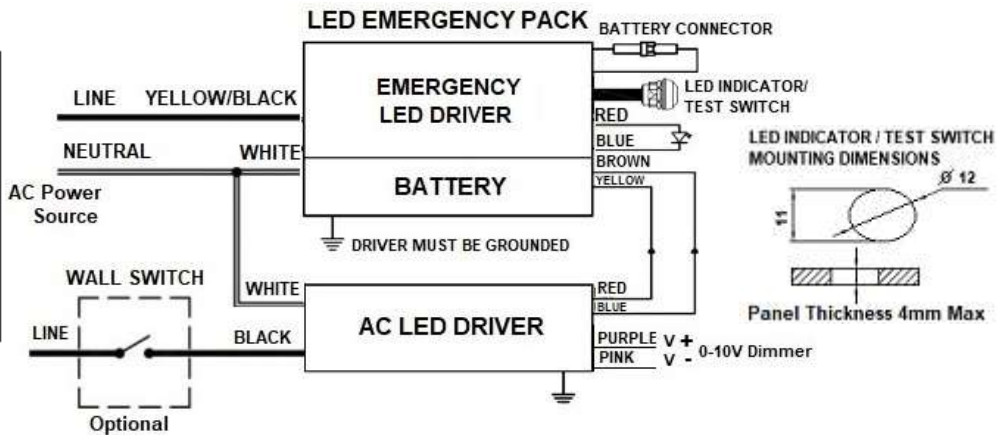
OPERATING DURATION	INPUT CURRENT	INPUT WATTS	Battery Charge Current	Battery Voltage	Battery Charge Time Max	OUTPUT WATTS Max	OUTPUT CURRENT Max	OUTPUT VOLTAGE Max	MODEL
90 Minutes	113mA	8.7W	450mA	9.6V	24 hours	28.6W	220mA	80 to 130V	CEM28W80130B96CFT

### LIMITED WARRANTY

5 YEAR at maximum case temperature 60 deg C. 3 YEAR at maximum case temperature 66 deg C. 3 YEAR for battery. Manufacturer warrants to the purchaser: Product will be free from defects in material or workmanship from the date of manufacture conditioned upon proper storage, installation, use, and maintenance and conformance with any recommendations of Manufacturer

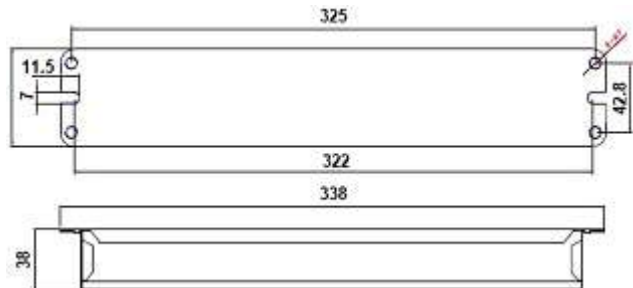
### Lead Length

Colour	inch	cm
White	30	75
Yellow/Black	30	75
Blue	30	75
Red	30	75
Yellow	30	75
Brown	30	75
Battery Connector	33	84
Test Switch	25	63
LED Indicator	6	15



### Case Size Series EM

L	W	H	ML
338	62	38	322mm
13.3	2.44	1.49	12.68inch



**WARNING:** Always Disconnect Power Before Handling. Case Should be Grounded. Install in Accordance with National and Local Electrical Codes

# 120V-347V LED EMERGENCY DRIVER

Output Voltage 80V to 176V Constant **Current 160mA Max 28W**

For Use with AC Driver and LED Module with 80V to 176V Output

120-347V Electronic LED Emergency Constant **Current** Driver with **Factory-wired** Test Switch/Indicator, Face Plate, **Flexible Metal Conduit** & Battery End Connectors for **easy** installation. Output Range of 80V to 176V for 28W maximum. All Specifications are nominal unless otherwise noted.

## Technical Specification:

FCC Part 15 Class A UL924, CSA C22.2 No. 141-15, Meets CEC Title 20 Standards, ROHS Compliant

Rating: IP30. Battery Type/Model Number: Lithium LiFePO4, 9.6V, 6600mAh

Remote Wiring Distance Full Load: 18AWG -18 ft. Operating Ambient Temp 0-50C



Case Size: EM

Due to continuing efforts to offer improved products all specifications are subject to change without prior notice

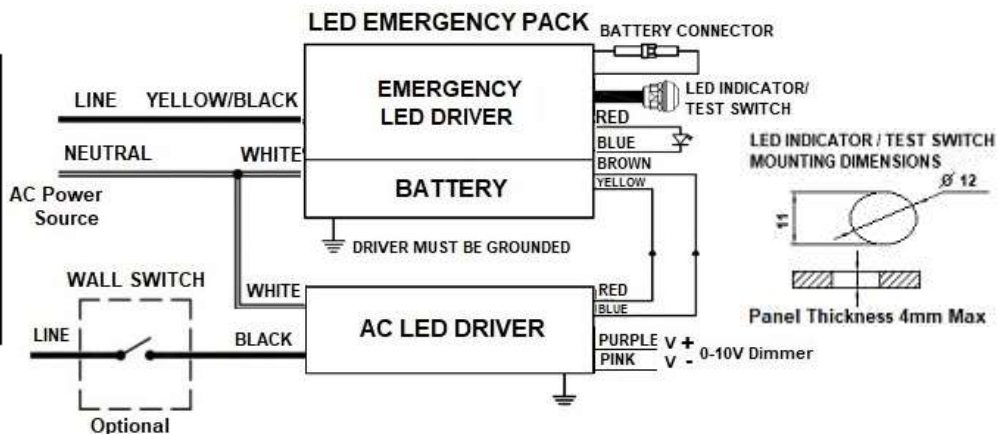
OPERATING DURATION	INPUT CURRENT	INPUT WATTS	Battery Charge Current	Battery Voltage	Battery Charge Time Max	OUTPUT WATTS Max	OUTPUT CURRENT Max	OUTPUT VOLTAGE Max	MODEL
90 Minutes	113mA	4.6W	450mA	9.6V	24 hours	28W	160mA	80 to 176V	CEM28W80176B96CFT

### LIMITED WARRANTY

5 YEAR at maximum case temperature 60 deg C. 3 YEAR at maximum case temperature 66 deg C. 3 YEAR for battery. Manufacturer warrants to the purchaser: Product will be free from defects in material or workmanship from the date of manufacture conditioned upon proper storage, installation, use, and maintenance and conformance with any recommendations of Manufacturer

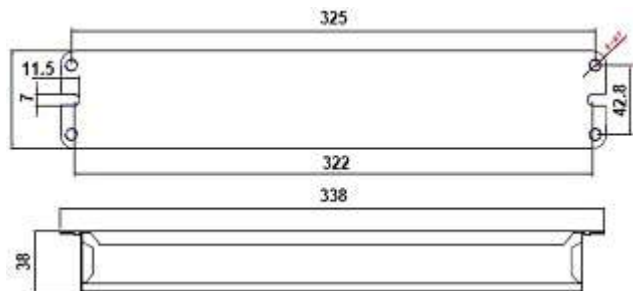
### Lead Length

Colour	inch	cm
White	30	75
Yellow/Black	30	75
Blue	30	75
Red	30	75
Yellow	30	75
Brown	30	75
Battery Connector	33	84
Test Switch	25	63
LED Indicator	6	15



### Case Size Series EM

L	W	H	ML
338	62	38	322mm
13.3	2.44	1.49	12.68inch



**WARNING:** Always Disconnect Power Before Handling. Case Should be Grounded. Install in Accordance with National and Local Electrical Codes

901 - 3rd Street West, North Vancouver, BC V7P 3P9 Canada

TEL: 604-904-9533

www.sagedrivers.com www.sagelighting.com



# Sage

## **347- 480V Fixed Current, 2 Dimmer & Selectable Multi Current CCT Colour Control**

Sage offers Custom design capability including multiple Form factor and output values to provide flexibility for the Fixture Manufacturers to design for specialized range of luminaires.

Sage 347-480V, 2 Dimmer & Selectable Multi Current CCT Colour Control drivers are versatile and the output current could be modified for various applications . These drivers offer increased productivity and flexibility for the Fixture Manufacturers to design a wide range of luminaires utilizing various light sources available to them while maintaining the lo West level of inventory possible.

It is also easy to combine into common dimming systems accessible in commercial applications. Pre-Programming is available to facilitate large production needs.

We would be pleased to review your design needs.



# 347V-480V LED DRIVER 65W 0-10V Dimming

## Output Range 112V to 186V Constant Current 350mA Max 65W

347V-480V Electronic Constant Current LED Driver 0-10V Dimming. Output Range of 112V to 186V for Single circuit 65W maximum.

### Technical Specification:

UL, CUL Recognized, ROHS Compliant  
 EMI FCC Part 15, Class A  
 Rating: IP 65 Damp, Dry  
 Output Open/Short Protection  
 Min. Starting Temp: - 40° C  
 Max. Case Temp: 90° C  
 Typical Efficiency: 82%

Input Voltage range:  $\pm 10\%$   
 Output Load range:  $\pm 5\%$   
 Input Frequency: 50/60HZ  
 THD: < 20%  
 Power Factor Min: 0.90  
 Remote Wiring Distance Full Load: 18AWG -18 ft

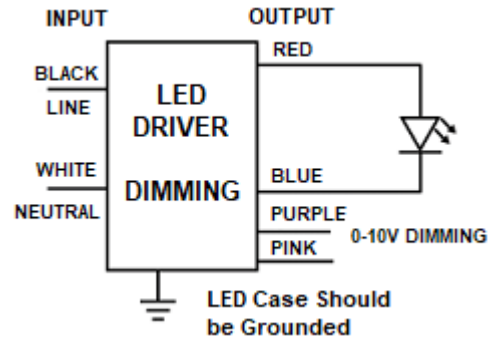
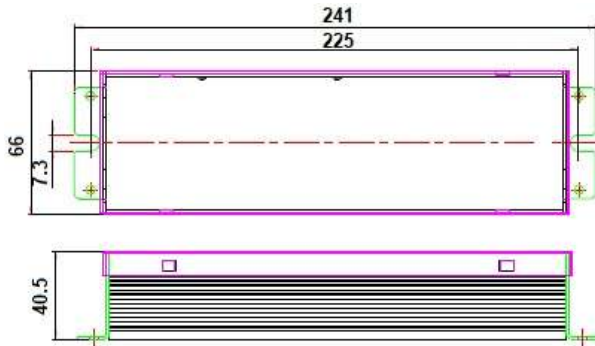
Case Size: Series FS5

Due to continuing efforts to offer improved products all specifications are subject to change without prior notice

INPUT VOLTAGE	INPUT CURRENT	INPUT WATTS	OUTPUT POWER WATTS MAX	OUTPUT VOLTAGE	OUTPUT CURRENT AMPS	MODEL
347-480V	0.48A – 0.34A	79	65	112 to 186V	0.35A	NCF350C65WSD

#### LIMITED WARRANTY

5 YEAR at maximum case temperature 75 deg C. 3 YEAR at maximum case temperature 90 deg C. Manufacturer warrants to the purchaser: Product will be free from defects in material or workmanship from the date of manufacture conditioned upon proper storage, installation, use, and maintenance and conformance with any recommendations of Manufacturer



#### Lead Length

Colour	inc	cm
Black	6	15.2
White	6	15.2
Blue	6	15.2
Red	6	15.2
Pink	7.1	18
Purple	7.1	18

#### 0-10V Dimmer Compatibility Chart

LUTRON	LEVITON
NFTV	DS710-10Z
DVTV-WH	

#### Case Size Series FS5

L	W	H	ML
241	66	40.5	226mm
9.5	2.6	1.6	8.9inch

**WARNING:** Always Disconnect Power Before Handling. Case Should be Grounded. Install in Accordance with National and Local Electrical Codes

# 347V-480V LED DRIVER 150W 0-10V Dimming

## Output Range 168V to 280V Constant Current **530mA** Max **150W**

347V-480V Electronic Constant Current LED Driver 0-10V Dimming. Output Range of 168V to 280V for Single circuit 150W maximum.

### Technical Specification:

UL, CUL Recognized, ROHS Compliant  
 EMI FCC Part 15, Class A  
 Rating: IP 65 Damp, Dry  
 Output Open/Short Protection  
 Min. Starting Temp: - 40° C  
 Max. Case Temp: 90° C  
 Efficiency: 90%

Input Voltage range:  $\pm 10\%$   
 Output Load range:  $\pm 5\%$   
 Input Frequency: 50/60HZ  
 THD: < 20%  
 Power Factor Min: 0.90  
 Remote Wiring Distance Full Load: 18AWG -18 ft Typical

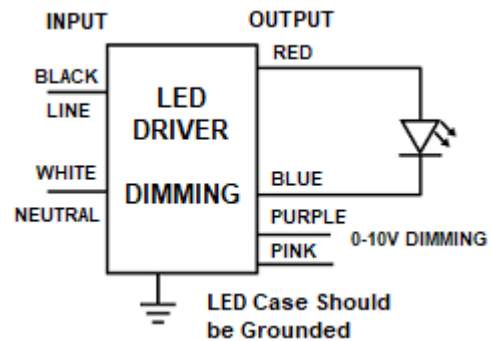
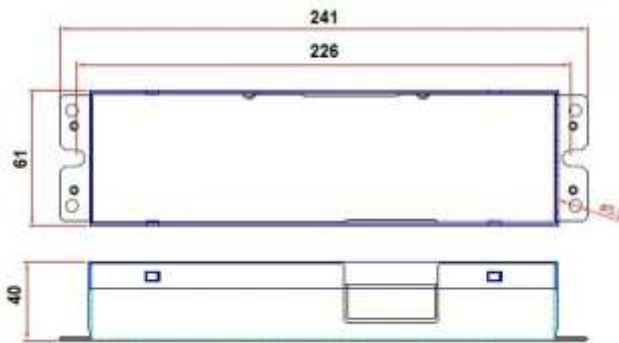
**Case Size: Series FS4**

Due to continuing efforts to offer improved products all specifications are subject to change without prior notice

INPUT VOLTAGE	INPUT CURRENT	INPUT WATTS	OUTPUT POWER WATTS MAX	OUTPUT VOLTAGE	OUTPUT CURRENT AMPS	MODEL
347-480V	0.64A – 0.46A	165	150	168 to 280V	0.53A	<b>NCF530C150WSD</b>

#### LIMITED WARRANTY

5 YEAR at maximum case temperature 75 deg C. 3 YEAR at maximum case temperature 90 deg C. Manufacturer warrants to the purchaser: Product will be free from defects in material or workmanship from the date of manufacture conditioned upon proper storage, installation, use, and maintenance and conformance with any recommendations of Manufacturer



#### Lead Length

Colour	inc	cm
Black	6	15.2
White	6	15.2
Blue	6	15.2
Red	6	15.2
Pink	7.1	18
Purple	7.1	18

#### 0-10V Dimmer Compatibility Chart

LUTRON	LEVITON
NFTV	DS710-10Z
DVTV-WH	

#### Case Size Series FS4

L	W	H	ML
241	61	40	226mm
9.5	2.4	1.57	8.9inch

**WARNING:** Always Disconnect Power Before Handling. Case Should be Grounded. Install in Accordance with National and Local Electrical Codes

# 347V-480V LED DRIVER 151W 0-10V Dimming

## Output Range 171V to 285V Constant Current **530mA** Max **151W**

347V-480V Electronic Constant Current LED Driver 0-10V Dimming. Output Range of 171V to 285V for Single circuit 151W maximum.

### Technical Specification:

UL, CUL Recognized, ROHS Compliant  
 EMI FCC Part 15, Class A  
 Rating: IP 65 Damp, Dry  
 Output Open/Short Protection  
 Min. Starting Temp: - 40° C  
 Max. Case Temp: 90° C  
 Efficiency: 88%

Input Voltage range:  $\pm 10\%$   
 Output Load range:  $\pm 5\%$   
 Input Frequency: 50/60HZ  
 THD: < 20%  
 Power Factor Min: 0.90  
 Remote Wiring Distance Full Load: 18AWG -18 ft Typical

**Case Size: Series FS5**

Due to continuing efforts to offer improved products all specifications are subject to change without prior notice

INPUT VOLTAGE	INPUT CURRENT	INPUT WATTS	OUTPUT POWER WATTS MAX	OUTPUT VOLTAGE	OUTPUT CURRENT AMPS	MODEL
347-480V	0.64A – 0.46A	172	151	171 to 285V	0.53A	<b>NCF530C151WSD</b>

#### LIMITED WARRANTY

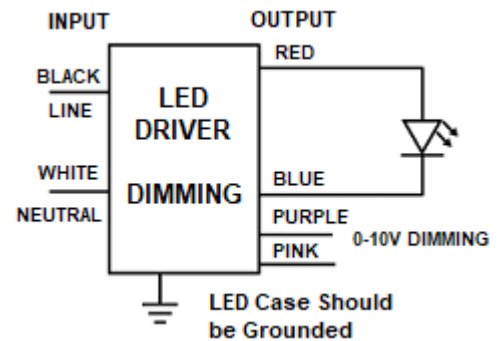
5 YEAR at maximum case temperature 75 deg C. 3 YEAR at maximum case temperature 90 deg C. Manufacturer warrants to the purchaser: Product will be free from defects in material or workmanship from the date of manufacture conditioned upon proper storage, installation, use, and maintenance and conformance with any recommendations of Manufacturer

#### Lead Length

Colour	inc	cm
Black	6	15.2
White	6	15.2
Blue	6	15.2
Red	6	15.2
Pink	7.1	18
Purple	7.1	18

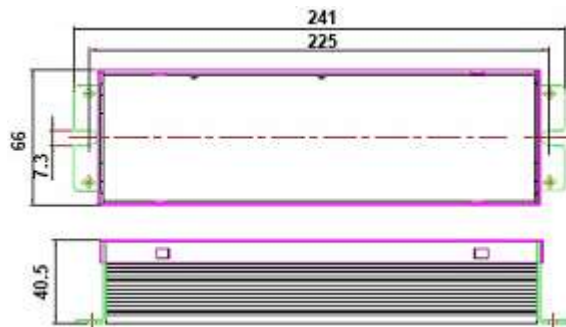
#### 0-10V Dimmer Compatibility Chart

LUTRON	LEVITON
NFTV	DS710-10Z
DVTV-WH	



#### Case Size Series FS5

L	W	H	ML
241	66	40.5	226mm
9.5	2.6	1.6	8.9inch



**WARNING:** Always Disconnect Power Before Handling. Case Should be Grounded. Install in Accordance with National and Local Electrical Codes

# 347V-480V LED DRIVER 150W 0-10V Dimming

## Output Range 130V to 214V Constant Current 700mA Max 150W

347V-480V Electronic Constant Current LED Driver 0-10V Dimming. Output Range of 130V to 214V for Single circuit 150W maximum.

### Technical Specification:

UL, CUL Recognized, ROHS Compliant  
 EMI FCC Part 15, Class A  
 Rating: IP 65 Damp, Dry  
 Output Open/Short Protection  
 Min. Starting Temp: - 40° C  
 Max. Case Temp: 90° C  
 Typical Efficiency: 90%

Input Voltage range:  $\pm 10\%$   
 Output Load range  $\pm 5\%$   
 Input Frequency: 50/60HZ  
 THD: < 20%  
 Power Factor Min: 0.90  
 Remote Wiring Distance Full Load: 18AWG -18 ft

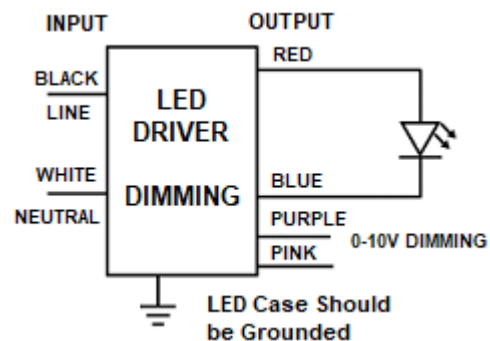
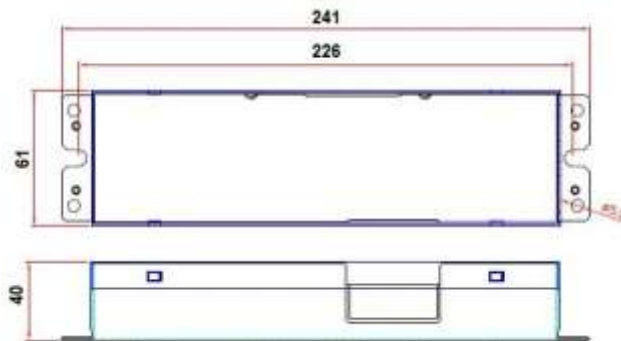
Case Size: Series FS4

Due to continuing efforts to offer improved products all specifications are subject to change without prior notice 2/12/22

INPUT VOLTAGE	INPUT CURRENT	INPUT WATTS	OUTPUT POWER WATTS MAX	OUTPUT VOLTAGE	OUTPUT CURRENT AMPS	MODEL
347-480V	0.48A – 0.34A	165	150	130 to 214V	0.7A	<b>NCF700C150WSD</b>

#### LIMITED WARRANTY

5 YEAR at maximum case temperature 75 deg C. 3 YEAR at maximum case temperature 90 deg C. Manufacturer warrants to the purchaser: Product will be free from defects in material or workmanship from the date of manufacture conditioned upon proper storage, installation, use, and maintenance and conformance with any recommendations of Manufacturer



#### Lead Length

Colour	inc	cm
Black	6	15.2
White	6	15.2
Blue	6	15.2
Red	6	15.2
Pink	7.1	18
Purple	7.1	18

#### 0-10V Dimmer Compatibility Chart

LUTRON	LEVITON
NFTV	DS710-10Z
DVTV-WH	

#### Case Size Series FS4

L	W	H	ML
241	61	40	226mm
9.5	2.4	1.57	8.9inch

**WARNING:** Always Disconnect Power Before Handling. Case Should be Grounded. Install in Accordance with National and Local Electrical Codes



# 347V-480V LED DRIVER 200W 0-10V Dimming

Output Range 171V to 285V Constant Current **700mA** Max **200W**

347V-480V Electronic Constant Current LED Driver 0-10V Dimming. Output Range of 171V to 285V for Single circuit 200W maximum.

## Technical Specification:

UL, CUL Recognized, ROHS Compliant  
 EMI FCC Part 15, Class A  
 Rating: IP 65 Damp, Dry  
 Output Open/Short Protection  
 Min. Starting Temp: - 40° C  
 Max. Case Temp: 90° C  
 Efficiency: 93%

Input Voltage range:  $\pm 10\%$   
 Output Load range:  $\pm 5\%$   
 Input Frequency: 50/60HZ  
 THD: < 20%  
 Power Factor Min: 0.90  
 Remote Wiring Distance Full Load: 18AWG -18 ft Typical

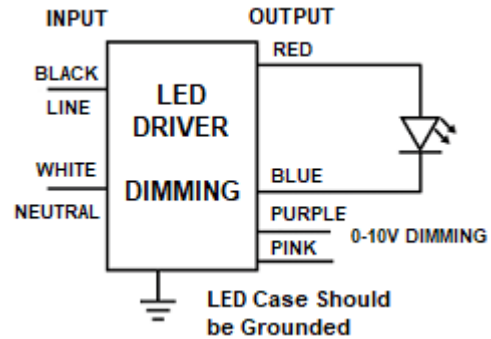
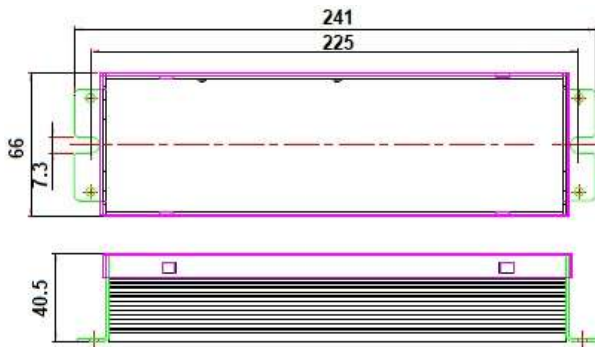
Case Size: Series FS5

Due to continuing efforts to offer improved products all specifications are subject to change without prior notice

INPUT VOLTAGE	INPUT CURRENT	INPUT WATTS	OUTPUT POWER WATTS MAX	OUTPUT VOLTAGE	OUTPUT CURRENT AMPS	MODEL
347-480V	0.64A – 0.46A	215	200	171 to 285V	0.7A	<b>NCF700C200WSD</b>

### LIMITED WARRANTY

5 YEAR at maximum case temperature 75 deg C. 3 YEAR at maximum case temperature 90 deg C. Manufacturer warrants to the purchaser: Product will be free from defects in material or workmanship from the date of manufacture conditioned upon proper storage, installation, use, and maintenance and conformance with any recommendations of Manufacturer



### Lead Length

Colour	inc	cm
Black	6	15.2
White	6	15.2
Blue	6	15.2
Red	6	15.2
Pink	7.1	18
Purple	7.1	18

### 0-10V Dimmer Compatibility Chart

LUTRON	LEVITON
NFTV	DS710-10Z
DVTV-WH	

### Case Size Series FS5

L	W	H	ML
241	66	40.5	226mm
9.5	2.6	1.6	8.9inch

**WARNING:** Always Disconnect Power Before Handling. Case Should be Grounded. Install in Accordance with National and Local Electrical Codes

# 347V-480V LED DRIVER 200W 0-10V Dimming

Output Range 120V to 200V Constant Current **1000mA** Max **200W**

347V-480V Electronic Constant Current LED Driver 0-10V Dimming. Output Range of 120V to 200V for Single circuit 200W maximum.

## Technical Specification:

UL, CUL Recognized, ROHS Compliant  
 EMI FCC Part 15, Class A  
 Rating: IP 65 Damp, Dry  
 Output Open/Short Protection  
 Min. Starting Temp: - 40° C  
 Max. Case Temp: 90° C  
 Typical Efficiency: 90%

Input Voltage range:  $\pm 10\%$   
 Output Load range  $\pm 5\%$   
 Input Frequency: 50/60HZ  
 THD: < 20%  
 Power Factor Min: 0.90  
 Remote Wiring Distance Full Load: 18AWG -18 ft

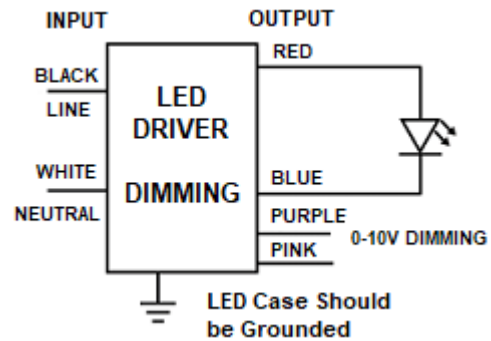
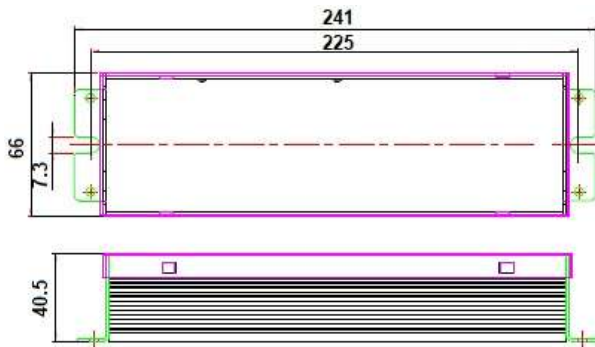
Case Size: Series FS5

Due to continuing efforts to offer improved products all specifications are subject to change without prior notice

INPUT VOLTAGE	INPUT CURRENT	INPUT WATTS	OUTPUT POWER WATTS MAX	OUTPUT VOLTAGE	OUTPUT CURRENT AMPS	MODEL
347-480V	0.64A – 0.46A	222	200	120 to 200V	1.0A	<b>NCF1000C200WSD</b>

### LIMITED WARRANTY

5 YEAR at maximum case temperature 75 deg C. 3 YEAR at maximum case temperature 90 deg C. Manufacturer warrants to the purchaser: Product will be free from defects in material or workmanship from the date of manufacture conditioned upon proper storage, installation, use, and maintenance and conformance with any recommendations of Manufacturer



### Lead Length

Colour	inc	cm
Black	6	15.2
White	6	15.2
Blue	6	15.2
Red	6	15.2
Pink	7.1	18
Purple	7.1	18

### 0-10V Dimmer Compatibility Chart

LUTRON	LEVITON
NFTV	DS710-10Z
DVTV-WH	

### Case Size Series FS5

L	W	H	ML
241	66	40.5	226mm
9.5	2.6	1.6	8.9inch

**WARNING:** Always Disconnect Power Before Handling. Case Should be Grounded. Install in Accordance with National and Local Electrical Codes

# 347V-480V LED DRIVER 150W 0-10V Dimming

## Output Range 86V to 143V Constant Current **1050mA** Max **150W**

347V-480V Electronic Constant Current LED Driver 0-10V Dimming. Output Range of 86V to 143V for Single circuit 150W maximum.

### Technical Specification:

UL, CUL Recognized, ROHS Compliant  
 EMI FCC Part 15, Class A  
 Rating: IP 65 Damp, Dry  
 Output Open/Short Protection  
 Min. Starting Temp: - 40° C  
 Max. Case Temp: 90° C  
 Typical Efficiency: 90%

Input Voltage range:  $\pm 10\%$   
 Output Load range  $\pm 5\%$   
 Input Frequency: 50/60HZ  
 THD: < 20%  
 Power Factor Min: 0.90  
 Remote Wiring Distance Full Load: 18AWG -18 ft

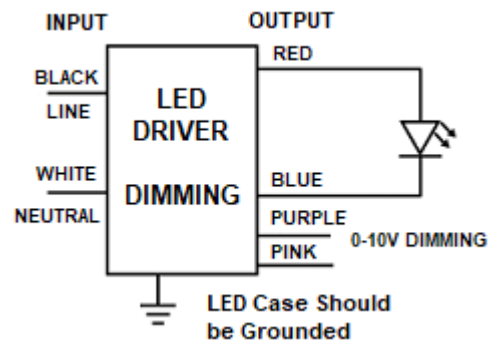
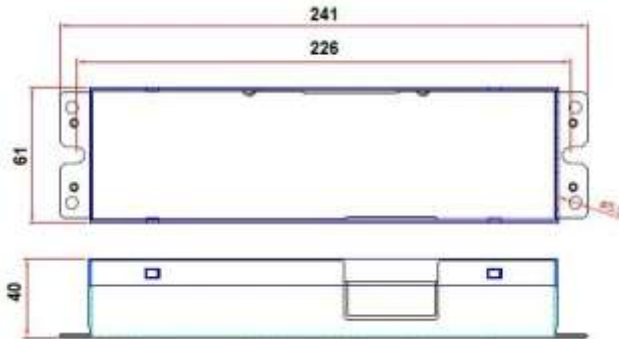
**Case Size: Series FS4**

Due to continuing efforts to offer improved products all specifications are subject to change without prior notice

INPUT VOLTAGE	INPUT CURRENT	INPUT WATTS	OUTPUT POWER WATTS MAX	OUTPUT VOLTAGE	OUTPUT CURRENT AMPS	MODEL
347-480V	0.48A – 0.34A	167	150	86 to 143V	1.05A	<b>NCF1050C150WSD</b>

#### LIMITED WARRANTY

5 YEAR at maximum case temperature 75 deg C. 3 YEAR at maximum case temperature 90 deg C. Manufacturer warrants to the purchaser: Product will be free from defects in material or workmanship from the date of manufacture conditioned upon proper storage, installation, use, and maintenance and conformance with any recommendations of Manufacturer



#### Lead Length

Colour	inc	cm
Black	6	15.2
White	6	15.2
Blue	6	15.2
Red	6	15.2
Pink	7.1	18
Purple	7.1	18

#### 0-10V Dimmer Compatibility Chart

LUTRON	LEVITON
NFTV	DS710-10Z
DVTV-WH	

#### Case Size Series FS4

L	W	H	ML
241	61	40	226mm
9.5	2.4	1.57	8.9inch

**WARNING:** Always Disconnect Power Before Handling. Case Should be Grounded. Install in Accordance with National and Local Electrical Codes

# 347V-480V LED DRIVER 200W 0-10V Dimming

Output Range 114V to 190V Constant Current **1050mA** Max **200W**

347V-480V Electronic Constant Current LED Driver 0-10V Dimming. Output Range of 114V to 190V for Single circuit 200W maximum.

## Technical Specification:

UL, CUL Recognized, ROHS Compliant  
 EMI FCC Part 15, Class A  
 Rating: IP 65 Damp, Dry  
 Output Open/Short Protection  
 Min. Starting Temp: - 40° C  
 Max. Case Temp: 90° C  
 Typical Efficiency: 90%

Input Voltage range:  $\pm 10\%$   
 Output Load range  $\pm 5\%$   
 Input Frequency: 50/60HZ  
 THD: < 20%  
 Power Factor Min: 0.90  
 Remote Wiring Distance Full Load: 18AWG -18 ft

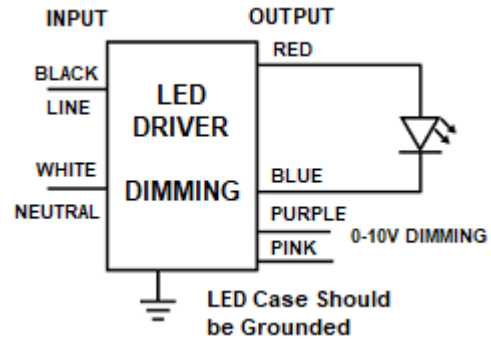
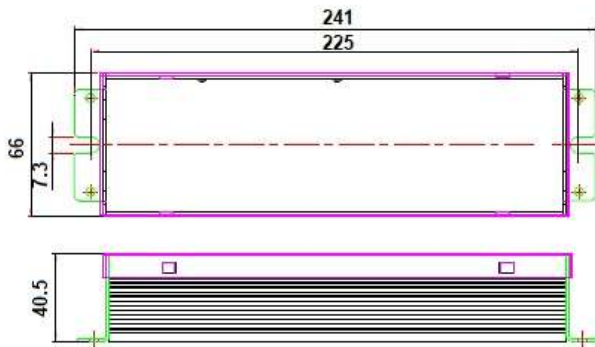
Case Size: Series FS5

Due to continuing efforts to offer improved products all specifications are subject to change without prior notice

INPUT VOLTAGE	INPUT CURRENT	INPUT WATTS	OUTPUT POWER WATTS MAX	OUTPUT VOLTAGE	OUTPUT CURRENT AMPS	MODEL
347-480V	0.64A – 0.46A	222	200	114 to 190V	1.05A	<b>NCF1050C200WSD</b>

### LIMITED WARRANTY

5 YEAR at maximum case temperature 75 deg C. 3 YEAR at maximum case temperature 90 deg C. Manufacturer warrants to the purchaser: Product will be free from defects in material or workmanship from the date of manufacture conditioned upon proper storage, installation, use, and maintenance and conformance with any recommendations of Manufacturer



### Lead Length

Colour	inc	cm
Black	6	15.2
White	6	15.2
Blue	6	15.2
Red	6	15.2
Pink	7.1	18
Purple	7.1	18

### 0-10V Dimmer Compatibility Chart

LUTRON	LEVITON
NFTV	DS710-10Z
DVTV-WH	

### Case Size Series FS5

L	W	H	ML
241	66	40.5	226mm
9.5	2.6	1.6	8.9inch

**WARNING:** Always Disconnect Power Before Handling. Case Should be Grounded. Install in Accordance with National and Local Electrical Codes

# 347V-480V LED DRIVER 200W 0-10V Dimming

Output Range 100V to 166V Constant Current **1200mA** Max **200W**

347V-480V Electronic Constant Current LED Driver 0-10V Dimming. Output Range of 100V to 166V for Single circuit 200W maximum.

## Technical Specification:

UL, CUL Recognized, ROHS Compliant  
 EMI FCC Part 15, Class A  
 Rating: IP 65 Damp, Dry  
 Output Open/Short Protection  
 Min. Starting Temp: - 40° C  
 Max. Case Temp: 90° C  
 Typical Efficiency: 90%

Input Voltage range:  $\pm 10\%$   
 Output Load range:  $\pm 5\%$   
 Input Frequency: 50/60HZ  
 THD: < 20%  
 Power Factor Min: 0.90  
 Remote Wiring Distance Full Load: 18AWG -18 ft

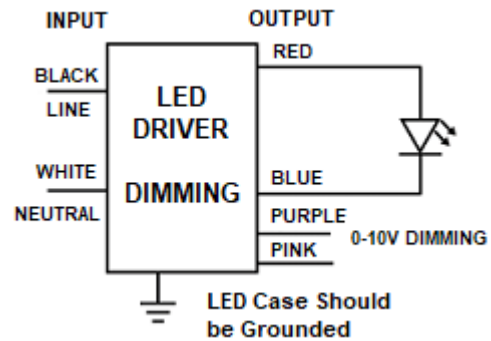
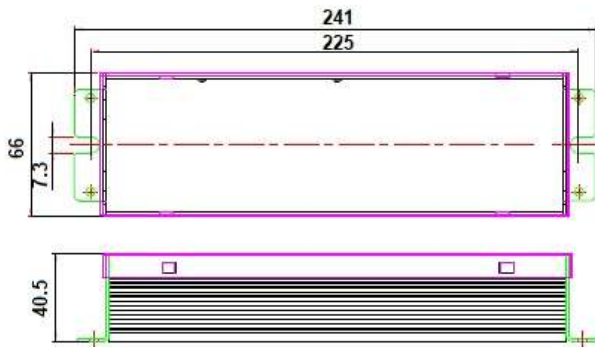
Case Size: Series FS5

Due to continuing efforts to offer improved products all specifications are subject to change without prior notice

INPUT VOLTAGE	INPUT CURRENT	INPUT WATTS	OUTPUT POWER WATTS MAX	OUTPUT VOLTAGE	OUTPUT CURRENT AMPS	MODEL
347-480V	0.64A – 0.46A	222	200	100 to 166V	1.2A	<b>NCF1200C200WSD</b>

### LIMITED WARRANTY

5 YEAR at maximum case temperature 75 deg C. 3 YEAR at maximum case temperature 90 deg C. Manufacturer warrants to the purchaser: Product will be free from defects in material or workmanship from the date of manufacture conditioned upon proper storage, installation, use, and maintenance and conformance with any recommendations of Manufacturer



### Lead Length

Colour	inc	cm
Black	6	15.2
White	6	15.2
Blue	6	15.2
Red	6	15.2
Pink	7.1	18
Purple	7.1	18

### 0-10V Dimmer Compatibility Chart

LUTRON	LEVITON
NFTV	DS710-10Z
DVTV-WH	

### Case Size Series FS5

L	W	H	ML
241	66	40.5	226mm
9.5	2.6	1.6	8.9inch

**WARNING:** Always Disconnect Power Before Handling. Case Should be Grounded. Install in Accordance with National and Local Electrical Codes

# 347V-480V LED DRIVER 180W 0-10V Dimming

Output Range 86V to 143V Constant Current **1250mA** Max **180W**

347V-480V Electronic Constant Current LED Driver 0-10V Dimming. Output Range of 86V to 143V for Single circuit 180W maximum.

## Technical Specification:

UL, CUL Recognized, ROHS Compliant  
 EMI FCC Part 15, Class A  
 Rating: IP 65 Damp, Dry  
 Output Open/Short Protection  
 Min. Starting Temp: - 40° C  
 Max. Case Temp: 90° C  
 Typical Efficiency: 89%

Input Voltage range:  $\pm 10\%$   
 Output Load range  $\pm 5\%$   
 Input Frequency: 50/60HZ  
 THD: < 20%  
 Power Factor Min: 0.90  
 Remote Wiring Distance Full Load: 18AWG -18 ft

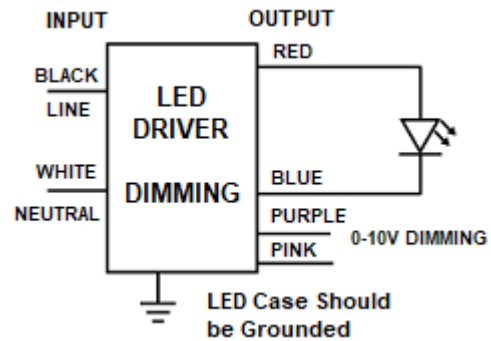
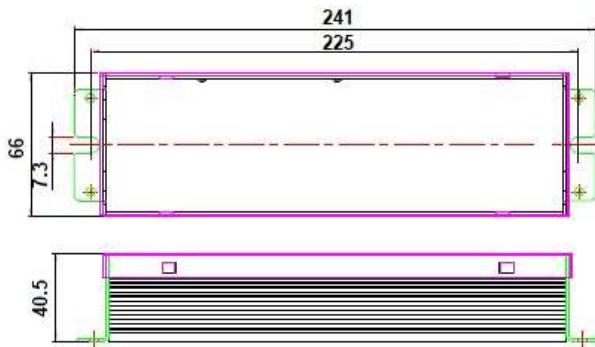
Case Size: Series FS5

Due to continuing efforts to offer improved products all specifications are subject to change without prior notice

INPUT VOLTAGE	INPUT CURRENT	INPUT WATTS	OUTPUT POWER WATTS MAX	OUTPUT VOLTAGE	OUTPUT CURRENT AMPS	MODEL
347-480V	0.64A – 0.46A	202	180	86 to 143V	1.25A	<b>NCF1250C180WSD</b>

### LIMITED WARRANTY

5 YEAR at maximum case temperature 75 deg C. 3 YEAR at maximum case temperature 90 deg C. Manufacturer warrants to the purchaser: Product will be free from defects in material or workmanship from the date of manufacture conditioned upon proper storage, installation, use, and maintenance and conformance with any recommendations of Manufacturer



### Lead Length

Colour	inc	cm
Black	6	15.2
White	6	15.2
Blue	6	15.2
Red	6	15.2
Pink	7.1	18
Purple	7.1	18

### 0-10V Dimmer Compatibility Chart

LUTRON	LEVITON
NFTV	DS710-10Z
DVTV-WH	

### Case Size Series FS5

L	W	H	ML
241	66	40.5	226mm
9.5	2.6	1.6	8.9inch

**WARNING:** Always Disconnect Power Before Handling. Case Should be Grounded. Install in Accordance with National and Local Electrical Codes

# 347V-480V LED DRIVER 150W 0-10V Dimming

## Output Range 69V to 115V Constant Current **1300mA** Max **150W**

347V-480V Electronic Constant Current LED Driver 0-10V Dimming. Output Range of 69V to 115V for Single circuit 150W maximum.

### Technical Specification:

UL, CUL Recognized, ROHS Compliant  
 EMI FCC Part 15, Class A  
 Rating: IP 65 Damp, Dry  
 Output Open/Short Protection  
 Min. Starting Temp: - 40° C  
 Max. Case Temp: 90° C  
 Typical Efficiency: 90%

Input Voltage range:  $\pm 10\%$   
 Output Load range  $\pm 5\%$   
 Input Frequency: 50/60HZ  
 THD: < 20%  
 Power Factor Min: 0.90  
 Remote Wiring Distance Full Load: 18AWG -18 ft

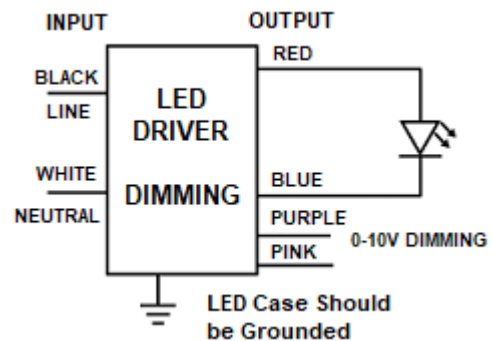
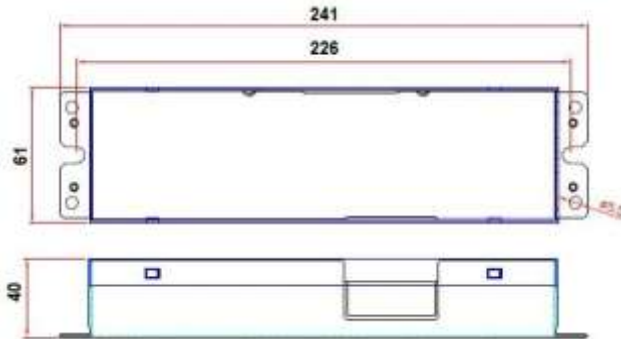
**Case Size: Series FS4**

Due to continuing efforts to offer improved products all specifications are subject to change without prior notice

INPUT VOLTAGE	INPUT CURRENT	INPUT WATTS	OUTPUT POWER WATTS MAX	OUTPUT VOLTAGE	OUTPUT CURRENT AMPS	MODEL
347-480V	0.48A – 0.34A	167	150	69 to 115V	1.3A	<b>NCF1300C150WSD</b>

#### LIMITED WARRANTY

5 YEAR at maximum case temperature 75 deg C. 3 YEAR at maximum case temperature 90 deg C. Manufacturer warrants to the purchaser: Product will be free from defects in material or workmanship from the date of manufacture conditioned upon proper storage, installation, use, and maintenance and conformance with any recommendations of Manufacturer



#### Lead Length

Colour	inc	cm
Black	6	15.2
White	6	15.2
Blue	6	15.2
Red	6	15.2
Pink	7.1	18
Purple	7.1	18

#### 0-10V Dimmer Compatibility Chart

LUTRON	LEVITON
NFTV	DS710-10Z
DVTV-WH	

#### Case Size Series FS4

L	W	H	ML
241	61	40	226mm
9.5	2.4	1.57	8.9inch

**WARNING:** Always Disconnect Power Before Handling. Case Should be Grounded. Install in Accordance with National and Local Electrical Codes

# 347V-480V LED DRIVER 150W 0-10V Dimming

## Output Range 64V to 107V Constant Current **1400mA** Max **150W**

347V-480V Electronic Constant Current LED Driver 0-10V Dimming. Output Range of 64V to 107V for Single circuit 150W maximum.

### Technical Specification:

UL, CUL Recognized, ROHS Compliant  
 EMI FCC Part 15, Class A  
 Rating: IP 65 Damp, Dry  
 Output Open/Short Protection  
 Min. Starting Temp: - 40° C  
 Max. Case Temp: 90° C  
 Typical Efficiency: 90%

Input Voltage range:  $\pm 10\%$   
 Output Load range  $\pm 5\%$   
 Input Frequency: 50/60HZ  
 THD: < 20%  
 Power Factor Min: 0.90  
 Remote Wiring Distance Full Load: 18AWG -18 ft

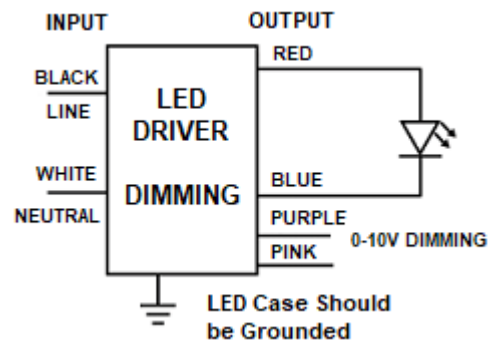
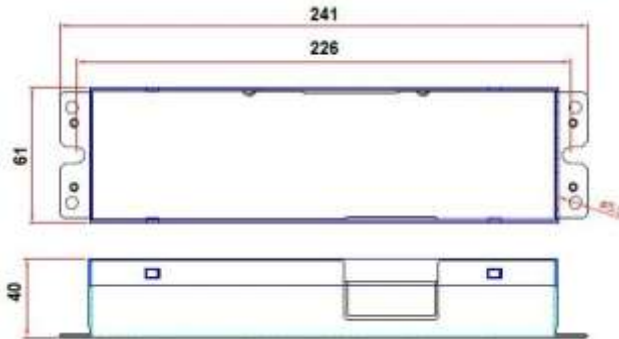
**Case Size: Series FS4**

Due to continuing efforts to offer improved products all specifications are subject to change without prior notice

INPUT VOLTAGE	INPUT CURRENT	INPUT WATTS	OUTPUT POWER WATTS MAX	OUTPUT VOLTAGE	OUTPUT CURRENT AMPS	MODEL
347-480V	0.48A – 0.34A	167	150	64 to 107V	1.4A	<b>NCF1400C150WSD</b>

#### LIMITED WARRANTY

5 YEAR at maximum case temperature 75 deg C. 3 YEAR at maximum case temperature 90 deg C. Manufacturer warrants to the purchaser: Product will be free from defects in material or workmanship from the date of manufacture conditioned upon proper storage, installation, use, and maintenance and conformance with any recommendations of Manufacturer



#### Lead Length

Colour	inc	cm
Black	6	15.2
White	6	15.2
Blue	6	15.2
Red	6	15.2
Pink	7.1	18
Purple	7.1	18

#### 0-10V Dimmer Compatibility Chart

LUTRON	LEVITON
NFTV	DS710-10Z
DVTV-WH	

#### Case Size Series FS4

L	W	H	ML
241	61	40	226mm
9.5	2.4	1.57	8.9inch

**WARNING:** Always Disconnect Power Before Handling. Case Should be Grounded. Install in Accordance with National and Local Electrical Codes



# 347V-480V LED DRIVER 200W 0-10V Dimming

## Output Range 86V to 143V Constant Current 1400mA Max 200W

347V-480V Electronic Constant Current LED Driver 0-10V Dimming. Output Range of 86V to 143V for Single circuit 200W maximum.

### Technical Specification:

UL, CUL Recognized, ROHS Compliant  
 EMI FCC Part 15, Class A  
 Rating: IP 65 Damp, Dry  
 Output Open/Short Protection  
 Min. Starting Temp: - 40° C  
 Max. Case Temp: 90° C  
 Typical Efficiency: 90%

Input Voltage range:  $\pm 10\%$   
 Output Load range  $\pm 5\%$   
 Input Frequency: 50/60HZ  
 THD: < 20%  
 Power Factor Min: 0.90  
 Remote Wiring Distance Full Load: 18AWG -18 ft

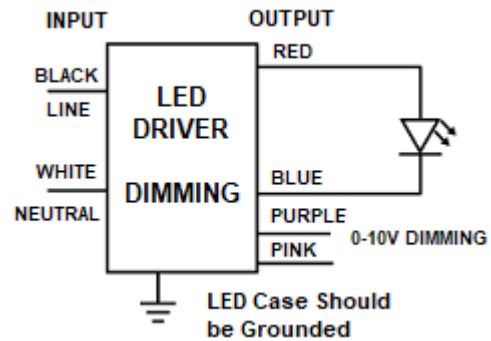
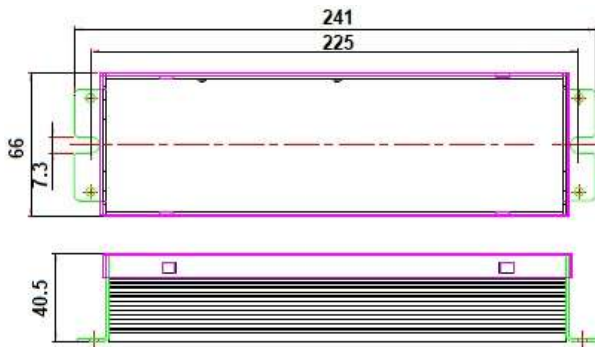
Case Size: Series FS5

Due to continuing efforts to offer improved products all specifications are subject to change without prior notice

INPUT VOLTAGE	INPUT CURRENT	INPUT WATTS	OUTPUT POWER WATTS MAX	OUTPUT VOLTAGE	OUTPUT CURRENT AMPS	MODEL
347-480V	0.64A – 0.46A	222	200	86 to 143V	1.4A	NCF1400C200WSD

#### LIMITED WARRANTY

5 YEAR at maximum case temperature 75 deg C. 3 YEAR at maximum case temperature 90 deg C. Manufacturer warrants to the purchaser: Product will be free from defects in material or workmanship from the date of manufacture conditioned upon proper storage, installation, use, and maintenance and conformance with any recommendations of Manufacturer



#### Lead Length

Colour	inc	cm
Black	6	15.2
White	6	15.2
Blue	6	15.2
Red	6	15.2
Pink	7.1	18
Purple	7.1	18

#### 0-10V Dimmer Compatibility Chart

LUTRON	LEVITON
NFTV	DS710-10Z
DVTV-WH	

#### Case Size Series FS5

L	W	H	ML
241	66	40.5	226mm
9.5	2.6	1.6	8.9inch

**WARNING:** Always Disconnect Power Before Handling. Case Should be Grounded. Install in Accordance with National and Local Electrical Codes

# 347V-480V LED DRIVER 150W 0-10V Dimming

## Output Range 50V to 83V Constant Current **1800mA** Max **150W**

347V-480V Electronic Constant Current LED Driver 0-10V Dimming. Output Range of 50V to 83V for Single circuit 150W maximum.

### Technical Specification:

UL, CUL Recognized, ROHS Compliant  
 EMI FCC Part 15, Class A  
 Rating: IP 65 Damp, Dry  
 Output Open/Short Protection  
 Min. Starting Temp: - 40° C  
 Max. Case Temp: 90° C  
 Typical Efficiency: 90%

Input Voltage range:  $\pm 10\%$   
 Output Load range:  $\pm 5\%$   
 Input Frequency: 50/60HZ  
 THD: < 20%  
 Power Factor Min: 0.90  
 Remote Wiring Distance Full Load: 18AWG -18 ft

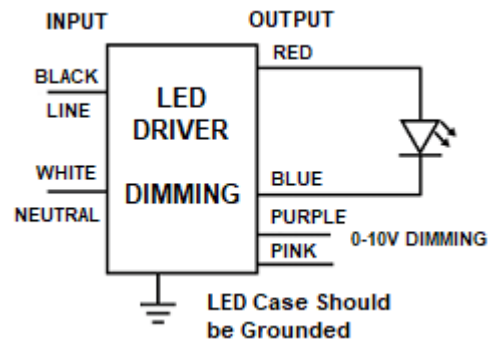
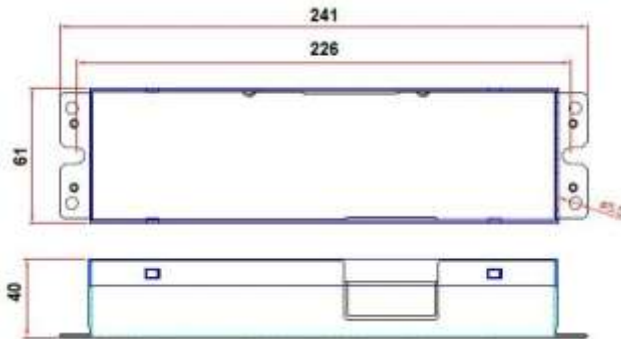
**Case Size: Series FS4**

Due to continuing efforts to offer improved products all specifications are subject to change without prior notice

INPUT VOLTAGE	INPUT CURRENT	INPUT WATTS	OUTPUT POWER WATTS MAX	OUTPUT VOLTAGE	OUTPUT CURRENT AMPS	MODEL
347-480V	0.48A – 0.34A	167	150	50 to 83V	1.8A	<b>NCF1800C150WSD</b>

#### LIMITED WARRANTY

5 YEAR at maximum case temperature 75 deg C. 3 YEAR at maximum case temperature 90 deg C. Manufacturer warrants to the purchaser: Product will be free from defects in material or workmanship from the date of manufacture conditioned upon proper storage, installation, use, and maintenance and conformance with any recommendations of Manufacturer



#### Lead Length

Colour	inc	cm
Black	6	15.2
White	6	15.2
Blue	6	15.2
Red	6	15.2
Pink	7.1	18
Purple	7.1	18

#### 0-10V Dimmer Compatibility Chart

LUTRON	LEVITON
NFTV	DS710-10Z
DVTV-WH	

#### Case Size Series FS4

L	W	H	ML
241	61	40	226mm
9.5	2.4	1.57	8.9inch

**WARNING:** Always Disconnect Power Before Handling. Case Should be Grounded. Install in Accordance with National and Local Electrical Codes

# 347V-480V LED DRIVER 200W 0-10V Dimming

## Output Range 67V to 111V Constant Current **1800mA** Max **200W**

347V-480V Electronic Constant Current LED Driver 0-10V Dimming. Output Range of 67V to 111V for Single circuit 200W maximum.

### Technical Specification:

UL, CUL Recognized, ROHS Compliant  
 EMI FCC Part 15, Class A  
 Rating: IP 65 Damp, Dry  
 Output Open/Short Protection  
 Min. Starting Temp: - 40° C  
 Max. Case Temp: 90° C  
 Typical Efficiency: 90%

Input Voltage range:  $\pm 10\%$   
 Output Load range  $\pm 5\%$   
 Input Frequency: 50/60HZ  
 THD: < 20%  
 Power Factor Min: 0.90  
 Remote Wiring Distance Full Load: 18AWG -18 ft

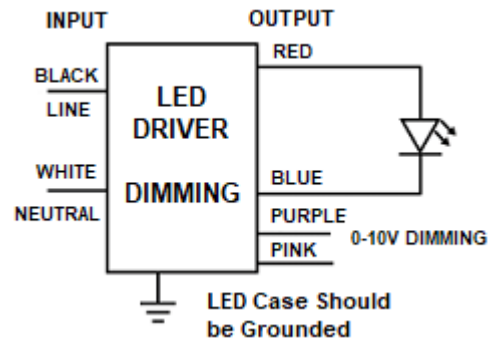
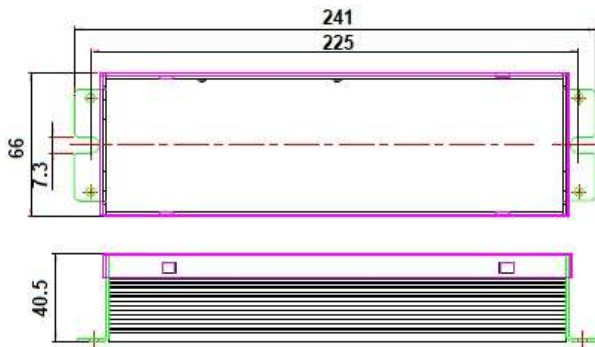
**Case Size: Series FS5**

Due to continuing efforts to offer improved products all specifications are subject to change without prior notice

INPUT VOLTAGE	INPUT CURRENT	INPUT WATTS	OUTPUT POWER WATTS MAX	OUTPUT VOLTAGE	OUTPUT CURRENT AMPS	MODEL
347-480V	0.64A – 0.46A	222	200	67 to 111V	1.8A	<b>NCF1800C200WSD</b>

#### LIMITED WARRANTY

5 YEAR at maximum case temperature 75 deg C. 3 YEAR at maximum case temperature 90 deg C. Manufacturer warrants to the purchaser: Product will be free from defects in material or workmanship from the date of manufacture conditioned upon proper storage, installation, use, and maintenance and conformance with any recommendations of Manufacturer



#### Lead Length

Colour	inc	cm
Black	6	15.2
White	6	15.2
Blue	6	15.2
Red	6	15.2
Pink	7.1	18
Purple	7.1	18

#### 0-10V Dimmer Compatibility Chart

LUTRON	LEVITON
NFTV	DS710-10Z
DVTV-WH	

#### Case Size Series FS5

L	W	H	ML
241	66	40.5	226mm
9.5	2.6	1.6	8.9inch

**WARNING:** Always Disconnect Power Before Handling. Case Should be Grounded. Install in Accordance with National and Local Electrical Codes

# 347V-480V LED DRIVER 75W 0-10V Dimming

## Output Range 22V to 36V Constant Current 2100mA Max 75W

347V-480V Electronic Constant Current LED Driver 0-10V Dimming. Output Range of 22V to 36V for Single circuit 75W maximum.

### Technical Specification:

UL, CUL Recognized, ROHS Compliant  
 EMI FCC Part 15, Class A  
 Rating: IP 65 Damp, Dry  
 Output Open/Short Protection  
 Min. Starting Temp: - 40° C  
 Max. Case Temp: 90° C  
 Typical Efficiency: 85%

Input Voltage range:  $\pm 10\%$   
 Output Load range:  $\pm 5\%$   
 Input Frequency: 50/60HZ  
 THD: < 20%  
 Power Factor Min: 0.90  
 Remote Wiring Distance Full Load: 18AWG -18 ft

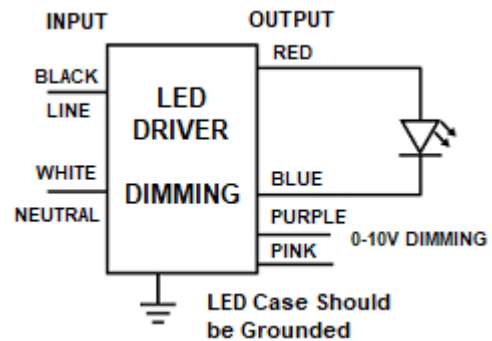
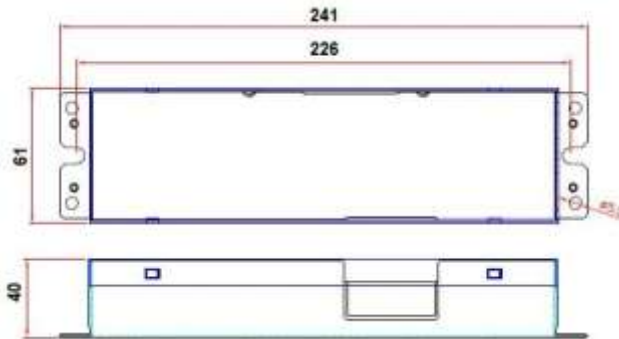
Case Size: Series FS4

Due to continuing efforts to offer improved products all specifications are subject to change without prior notice

INPUT VOLTAGE	INPUT CURRENT	INPUT WATTS	OUTPUT POWER WATTS MAX	OUTPUT VOLTAGE	OUTPUT CURRENT AMPS	MODEL
347-480V	0.48A – 0.34A	88	75	22 to 36V	2.1A	<b>NCF2100C75WSD</b>

#### LIMITED WARRANTY

5 YEAR at maximum case temperature 75 deg C. 3 YEAR at maximum case temperature 90 deg C. Manufacturer warrants to the purchaser: Product will be free from defects in material or workmanship from the date of manufacture conditioned upon proper storage, installation, use, and maintenance and conformance with any recommendations of Manufacturer



#### Lead Length

Colour	inc	cm
Black	6	15.2
White	6	15.2
Blue	6	15.2
Red	6	15.2
Pink	7.1	18
Purple	7.1	18

#### 0-10V Dimmer Compatibility Chart

LUTRON	LEVITON
NFTV	DS710-10Z
DVTV-WH	

#### Case Size Series FS4

L	W	H	ML
241	61	40	226mm
9.5	2.4	1.57	8.9inch

**WARNING:** Always Disconnect Power Before Handling. Case Should be Grounded. Install in Accordance with National and Local Electrical Codes

# 347V-480V LED DRIVER 150W 0-10V Dimming

## Output Range 43V to 71V Constant Current 2100mA Max 150W

347V-480V Electronic Constant Current LED Driver 0-10V Dimming. Output Range of 43V to 71V for Single circuit 150W maximum.

### Technical Specification:

UL, CUL Recognized, ROHS Compliant  
 EMI FCC Part 15, Class A  
 Rating: IP 65 Damp, Dry  
 Output Open/Short Protection  
 Min. Starting Temp: - 40° C  
 Max. Case Temp: 90° C  
 Typical Efficiency: 90%

Input Voltage range:  $\pm 10\%$   
 Output Load range  $\pm 5\%$   
 Input Frequency: 50/60HZ  
 THD: < 20%  
 Power Factor Min: 0.90  
 Remote Wiring Distance Full Load: 18AWG -18 ft

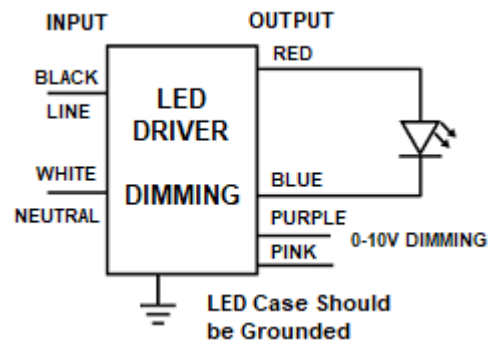
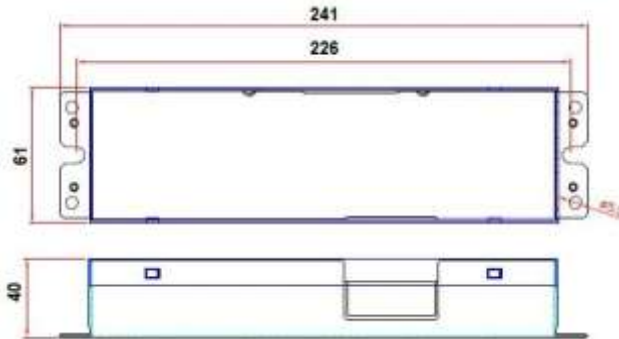
Case Size: Series FS4

Due to continuing efforts to offer improved products all specifications are subject to change without prior notice

INPUT VOLTAGE	INPUT CURRENT	INPUT WATTS	OUTPUT POWER WATTS MAX	OUTPUT VOLTAGE	OUTPUT CURRENT AMPS	MODEL
347-480V	0.48A – 0.34A	167	150	43 to 71V	2.1A	NCF2100C150WSD

#### LIMITED WARRANTY

5 YEAR at maximum case temperature 75 deg C. 3 YEAR at maximum case temperature 90 deg C. Manufacturer warrants to the purchaser: Product will be free from defects in material or workmanship from the date of manufacture conditioned upon proper storage, installation, use, and maintenance and conformance with any recommendations of Manufacturer



#### Lead Length

Colour	inc	cm
Black	6	15.2
White	6	15.2
Blue	6	15.2
Red	6	15.2
Pink	7.1	18
Purple	7.1	18

#### 0-10V Dimmer Compatibility Chart

LUTRON	LEVITON
NFTV	DS710-10Z
DVTV-WH	

#### Case Size Series FS4

L	W	H	ML
241	61	40	226mm
9.5	2.4	1.57	8.9inch

**WARNING:** Always Disconnect Power Before Handling. Case Should be Grounded. Install in Accordance with National and Local Electrical Codes

# 347V-480V LED DRIVER 200W 0-10V Dimming

## Output Range 57V to 95V Constant Current 2100mA Max 200W

347V-480V Electronic Constant Current LED Driver 0-10V Dimming. Output Range of 57V to 95V for Single circuit 200W maximum.

### Technical Specification:

UL, CUL Recognized, ROHS Compliant  
 EMI FCC Part 15, Class A  
 Rating: IP 65 Damp, Dry  
 Output Open/Short Protection  
 Min. Starting Temp: - 40° C  
 Max. Case Temp: 90° C  
 Typical Efficiency: 90%

Input Voltage range:  $\pm 10\%$   
 Output Load range:  $\pm 5\%$   
 Input Frequency: 50/60HZ  
 THD: < 20%  
 Power Factor Min: 0.90  
 Remote Wiring Distance Full Load: 18AWG -18 ft

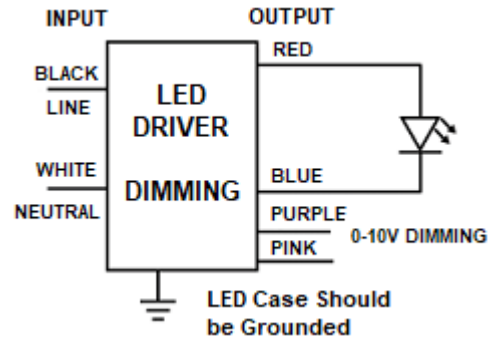
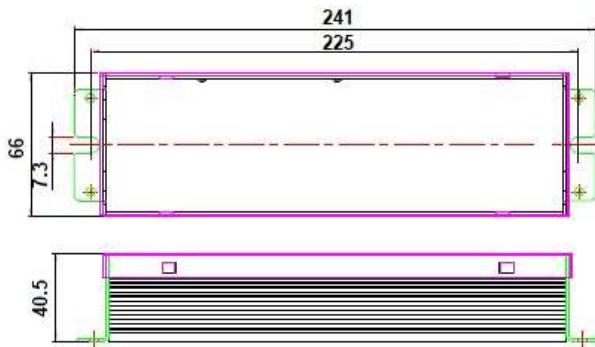
Case Size: Series FS5

Due to continuing efforts to offer improved products all specifications are subject to change without prior notice

INPUT VOLTAGE	INPUT CURRENT	INPUT WATTS	OUTPUT POWER WATTS MAX	OUTPUT VOLTAGE	OUTPUT CURRENT AMPS	MODEL
347-480V	0.64A – 0.46A	222	200	57 to 95V	2.1A	NCF2100C200WSD

#### LIMITED WARRANTY

5 YEAR at maximum case temperature 75 deg C. 3 YEAR at maximum case temperature 90 deg C. Manufacturer warrants to the purchaser: Product will be free from defects in material or workmanship from the date of manufacture conditioned upon proper storage, installation, use, and maintenance and conformance with any recommendations of Manufacturer



#### Lead Length

Colour	inc	cm
Black	6	15.2
White	6	15.2
Blue	6	15.2
Red	6	15.2
Pink	7.1	18
Purple	7.1	18

#### 0-10V Dimmer Compatibility Chart

LUTRON	LEVITON
NFTV	DS710-10Z
DVTV-WH	

#### Case Size Series FS5

L	W	H	ML
241	66	40.5	226mm
9.5	2.6	1.6	8.9inch

**WARNING:** Always Disconnect Power Before Handling. Case Should be Grounded. Install in Accordance with National and Local Electrical Codes

# 347V-480V LED DRIVER 92W 0-10V Dimming

## Output Range 24V to 40V Constant Current 2300mA Max 92W

347V-480V Electronic Constant Current LED Driver 0-10V Dimming. Output Range of 24V to 40V for Single circuit 92W maximum.

### Technical Specification:

UL, CUL Recognized, ROHS Compliant  
 EMI FCC Part 15, Class A  
 Rating: IP 65 Damp, Dry  
 Output Open/Short Protection  
 Min. Starting Temp: - 40° C  
 Max. Case Temp: 90° C  
 Typical Efficiency: 86%

Input Voltage range:  $\pm 10\%$   
 Output Load range  $\pm 5\%$   
 Input Frequency: 50/60HZ  
 THD: < 20%  
 Power Factor Min: 0.90  
 Remote Wiring Distance Full Load: 18AWG -18 ft

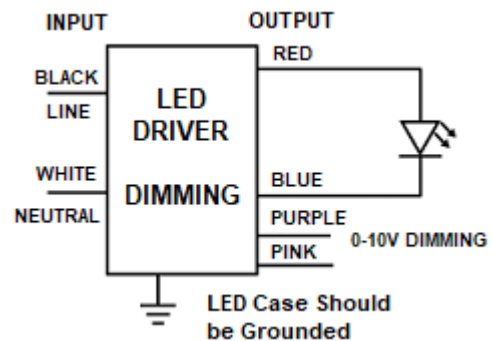
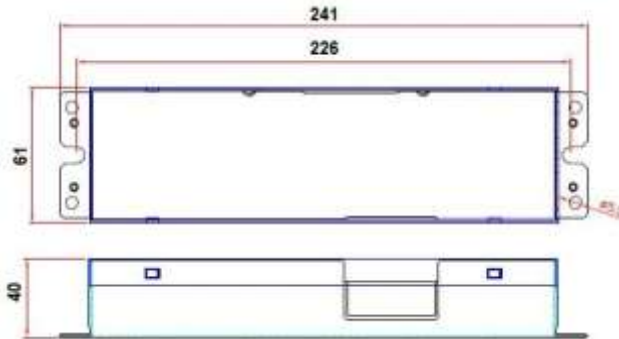
Case Size: Series FS4

Due to continuing efforts to offer improved products all specifications are subject to change without prior notice

INPUT VOLTAGE	INPUT CURRENT	INPUT WATTS	OUTPUT POWER WATTS MAX	OUTPUT VOLTAGE	OUTPUT CURRENT AMPS	MODEL
347-480V	0.48A – 0.34A	107	92	24 to 40V	2.3A	NCF2300C92WSD

#### LIMITED WARRANTY

5 YEAR at maximum case temperature 75 deg C. 3 YEAR at maximum case temperature 90 deg C. Manufacturer warrants to the purchaser: Product will be free from defects in material or workmanship from the date of manufacture conditioned upon proper storage, installation, use, and maintenance and conformance with any recommendations of Manufacturer



#### Lead Length

Colour	inc	cm
Black	6	15.2
White	6	15.2
Blue	6	15.2
Red	6	15.2
Pink	7.1	18
Purple	7.1	18

#### 0-10V Dimmer Compatibility Chart

LUTRON	LEVITON
NFTV	DS710-10Z
DVTV-WH	

#### Case Size Series FS4

L	W	H	ML
241	61	40	226mm
9.5	2.4	1.57	8.9inch

**WARNING:** Always Disconnect Power Before Handling. Case Should be Grounded. Install in Accordance with National and Local Electrical Codes

# 347V-480V LED DRIVER 100W 0-10V Dimming

## Output Range 25V to 41V Constant Current 2400mA Max 100W

347V-480V Electronic Constant Current LED Driver 0-10V Dimming. Output Range of 25V to 41V for Single circuit 100W maximum.

### Technical Specification:

UL, CUL Recognized, ROHS Compliant  
 EMI FCC Part 15, Class A  
 Rating: IP 65 Damp, Dry  
 Output Open/Short Protection  
 Min. Starting Temp: -40° C  
 Max. Case Temp: 90° C  
 Typical Efficiency: 86%

Input Voltage range: ± 10%  
 Output Load range: ± 5%  
 Input Frequency: 50/60HZ  
 THD: < 20%  
 Power Factor Min: 0.90  
 Remote Wiring Distance Full Load: 18AWG -18 ft

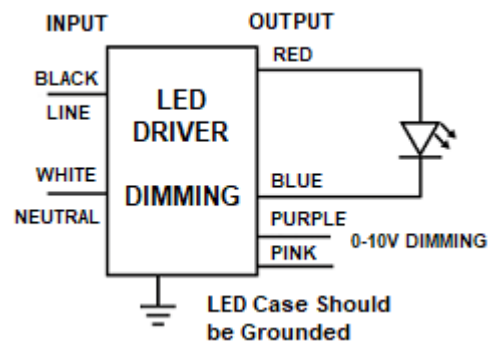
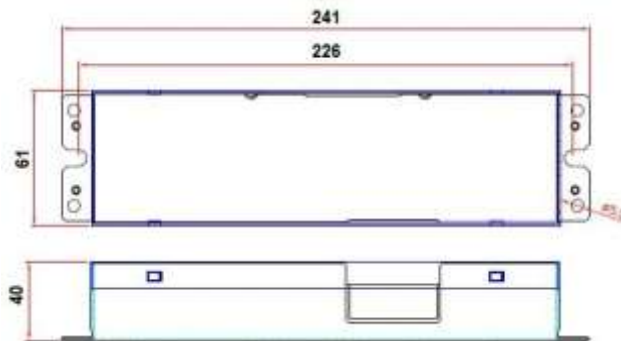
Case Size: Series FS4

Due to continuing efforts to offer improved products all specifications are subject to change without prior notice

INPUT VOLTAGE	INPUT CURRENT	INPUT WATTS	OUTPUT POWER WATTS MAX	OUTPUT VOLTAGE	OUTPUT CURRENT AMPS	MODEL
347-480V	0.48A – 0.34A	117	100	25 to 41V	2.4A	NCF2400C100WSD

#### LIMITED WARRANTY

5 YEAR at maximum case temperature 75 deg C. 3 YEAR at maximum case temperature 90 deg C. Manufacturer warrants to the purchaser: Product will be free from defects in material or workmanship from the date of manufacture conditioned upon proper storage, installation, use, and maintenance and conformance with any recommendations of Manufacturer



#### Lead Length

Colour	inc	cm
Black	6	15.2
White	6	15.2
Blue	6	15.2
Red	6	15.2
Pink	7.1	18
Purple	7.1	18

#### 0-10V Dimmer Compatibility Chart

LUTRON	LEVITON
NFTV	DS710-10Z
DVTV-WH	

#### Case Size Series FS4

L	W	H	ML
241	61	40	226mm
9.5	2.4	1.57	8.9inch

**WARNING:** Always Disconnect Power Before Handling. Case Should be Grounded. Install in Accordance with National and Local Electrical Codes



# 347V-480V LED DRIVER 150W 0-10V Dimming

## Output Range 36V to 60V Constant Current 2500mA Max 150W

347V-480V Electronic Constant Current LED Driver 0-10V Dimming. Output Range of 36V to 60V for Single circuit 150W maximum.

### Technical Specification:

UL, CUL Recognized, ROHS Compliant  
 EMI FCC Part 15, Class A  
 Rating: IP 65 Damp, Dry  
 Output Open/Short Protection  
 Min. Starting Temp: - 40° C  
 Max. Case Temp: 90° C  
 Typical Efficiency: 90%

Input Voltage range:  $\pm 10\%$   
 Output Load range  $\pm 5\%$   
 Input Frequency: 50/60HZ  
 THD: < 20%  
 Power Factor Min: 0.90  
 Remote Wiring Distance Full Load: 18AWG -18 ft

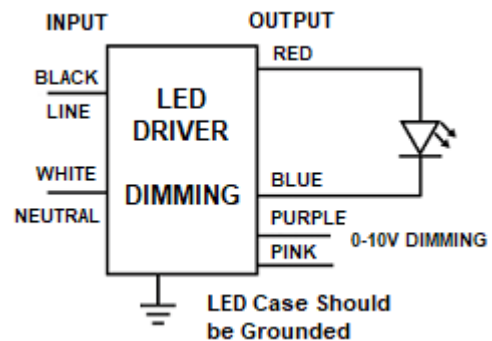
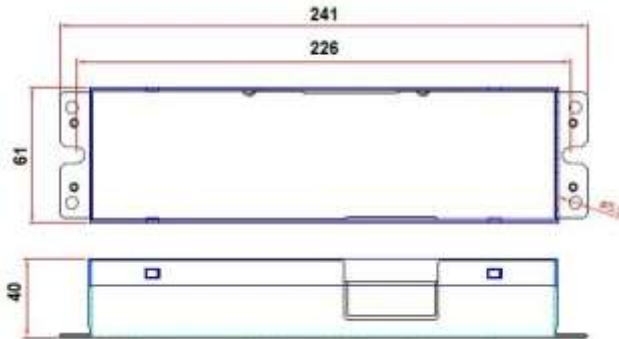
Case Size: Series FS4

Due to continuing efforts to offer improved products all specifications are subject to change without prior notice

INPUT VOLTAGE	INPUT CURRENT	INPUT WATTS	OUTPUT POWER WATTS MAX	OUTPUT VOLTAGE	OUTPUT CURRENT AMPS	MODEL
347-480V	0.48A – 0.34A	167	150	36 to 60V	2.5A	<b>NCF2500C150WSD</b>

#### LIMITED WARRANTY

5 YEAR at maximum case temperature 75 deg C. 3 YEAR at maximum case temperature 90 deg C. Manufacturer warrants to the purchaser: Product will be free from defects in material or workmanship from the date of manufacture conditioned upon proper storage, installation, use, and maintenance and conformance with any recommendations of Manufacturer



#### Lead Length

Colour	inc	cm
Black	6	15.2
White	6	15.2
Blue	6	15.2
Red	6	15.2
Pink	7.1	18
Purple	7.1	18

#### 0-10V Dimmer Compatibility Chart

LUTRON	LEVITON
NFTV	DS710-10Z
DVTV-WH	

#### Case Size Series FS4

L	W	H	ML
241	61	40	226mm
9.5	2.4	1.57	8.9inch

**WARNING:** Always Disconnect Power Before Handling. Case Should be Grounded. Install in Accordance with National and Local Electrical Codes

# 347V-480V LED DRIVER 200W 0-10V Dimming

## Output Range 48V to 80V Constant Current 2500mA Max 200W

347V-480V Electronic Constant Current 2500mA LED Driver 0-10V Dimming. Output Range of 48V to 80V for Single circuit 200W maximum.

### Technical Specification:

UL, CUL Recognized, ROHS Compliant  
 EMI FCC Part 15, Class A  
 Rating: IP 65 Damp, Dry  
 Output Open/Short Protection  
 Min. Starting Temp: - 40° C  
 Max. Case Temp: 90° C  
 Efficiency: 90%

Input Voltage range:  $\pm 10\%$   
 Output Load range:  $\pm 5\%$   
 Input Frequency: 50/60HZ  
 THD: < 20%  
 Power Factor Min: 0.90  
 Remote Wiring Distance Full Load: 18AWG -18 ft Typical

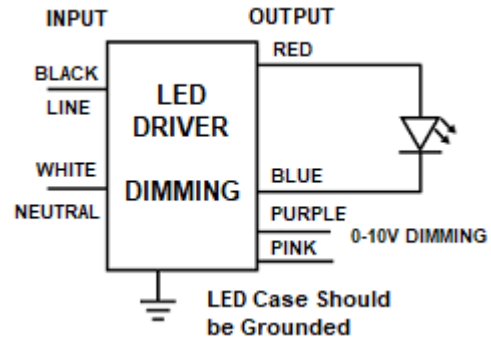
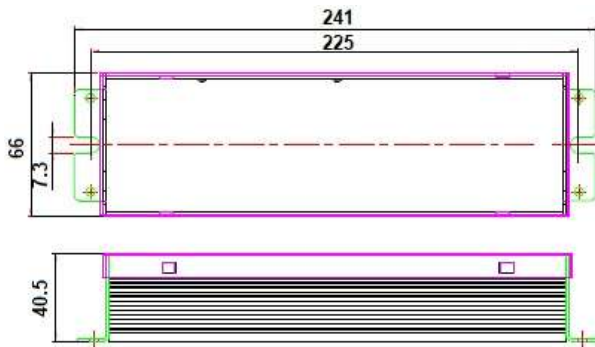
Case Size: Series FS5

Due to continuing efforts to offer improved products all specifications are subject to change without prior notice

INPUT VOLTAGE	INPUT CURRENT	INPUT WATTS	OUTPUT POWER WATTS MAX	OUTPUT VOLTAGE	OUTPUT CURRENT AMPS	MODEL
347-480V	0.64A – 0.46A	222	200	48 to 80V	2.5A	NCF2500C200WSD

#### LIMITED WARRANTY

5 YEAR at maximum case temperature 75 deg C. 3 YEAR at maximum case temperature 90 deg C. Manufacturer warrants to the purchaser: Product will be free from defects in material or workmanship from the date of manufacture conditioned upon proper storage, installation, use, and maintenance and conformance with any recommendations of Manufacturer



#### Lead Length

Colour	inc	cm
Black	6	15.2
White	6	15.2
Blue	6	15.2
Red	6	15.2
Pink	7.1	18
Purple	7.1	18

#### 0-10V Dimmer Compatibility Chart

LUTRON	LEVITON
NFTV	DS710-10Z
DVTV-WH	

#### Case Size Series FS5

L	W	H	ML
241	66	40.5	226mm
9.5	2.6	1.6	8.9inch

**WARNING:** Always Disconnect Power Before Handling. Case Should be Grounded. Install in Accordance with National and Local Electrical Codes

# 347V-480V LED DRIVER 150W 0-10V Dimming

## Output Range 32V to 54V Constant Current 2800mA Max 150W

347V-480V Electronic Constant Current 2800mA LED Driver 0-10V Dimming. Output Range of 32V to 54V for Single circuit 150W maximum.

### Technical Specification:

UL, CUL Recognized, ROHS Compliant  
 EMI FCC Part 15, Class A  
 Rating: IP 65 Damp, Dry  
 Output Open/Short Protection  
 Min. Starting Temp: - 40° C  
 Max. Case Temp: 90° C  
 Typical Efficiency: 90%

Input Voltage range:  $\pm 10\%$   
 Output Load range  $\pm 5\%$   
 Input Frequency: 50/60HZ  
 THD: < 20%  
 Power Factor Min: 0.90  
 Remote Wiring Distance Full Load: 18AWG -18 ft

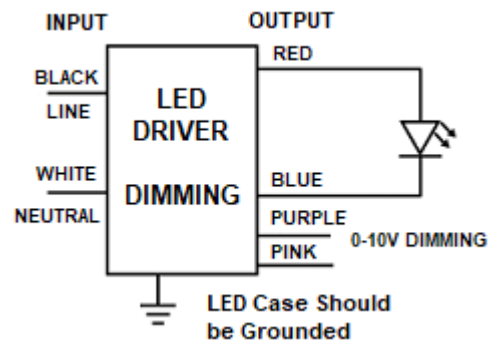
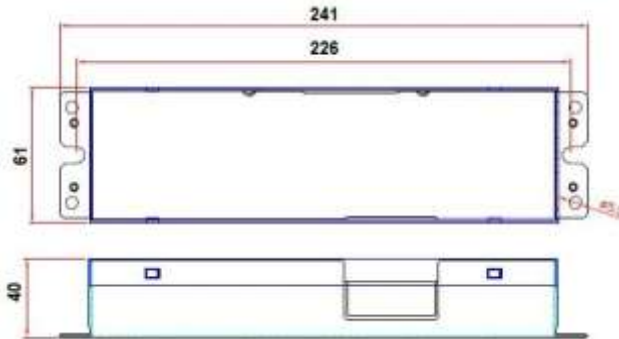
Case Size: Series FS4

Due to continuing efforts to offer improved products all specifications are subject to change without prior notice

INPUT VOLTAGE	INPUT CURRENT	INPUT WATTS	OUTPUT POWER WATTS MAX	OUTPUT VOLTAGE	OUTPUT CURRENT AMPS	MODEL
347-480V	0.48A – 0.34A	167	150	32 to 54V	2.8A	NCF2800C150WSD

#### LIMITED WARRANTY

5 YEAR at maximum case temperature 75 deg C. 3 YEAR at maximum case temperature 90 deg C. Manufacturer warrants to the purchaser: Product will be free from defects in material or workmanship from the date of manufacture conditioned upon proper storage, installation, use, and maintenance and conformance with any recommendations of Manufacturer



#### Lead Length

Colour	inc	cm
Black	6	15.2
White	6	15.2
Blue	6	15.2
Red	6	15.2
Pink	7.1	18
Purple	7.1	18

#### 0-10V Dimmer Compatibility Chart

LUTRON	LEVITON
NFTV	DS710-10Z
DVTV-WH	

#### Case Size Series FS4

L	W	H	ML
241	61	40	226mm
9.5	2.4	1.57	8.9inch

**WARNING:** Always Disconnect Power Before Handling. Case Should be Grounded. Install in Accordance with National and Local Electrical Codes

# 347V-480V LED DRIVER 150W 0-10V Dimming

Output Range 32V to 53V Constant Current **2800mA** Max **150W**  
**IP67**

347V-480V Electronic Constant Current LED Driver 0-10V Dimming. Output Range of 32V to 53V for Single circuit 150W maximum.

## Technical Specification:

UL, CUL Recognized, ROHS Compliant  
 EMI FCC Part 15, Class A  
 Rating: IP67  
 Output Open/Short Protection  
 Min. Starting Temp: - 40° C  
 Max. Case Temp: 90° C  
 Typical Efficiency: 90%

Input Voltage range:  $\pm 10\%$   
 Output Load range  $\pm 5\%$   
 Input Frequency: 50/60HZ  
 THD: < 20%  
 Power Factor Min: 0.90  
 Remote Wiring Distance Full Load: 18AWG -18 ft

Case Size: Series FS9

Due to continuing efforts to offer improved products all specifications are subject to change without prior notice

INPUT VOLTAGE	INPUT CURRENT	INPUT WATTS	OUTPUT POWER WATTS MAX	OUTPUT VOLTAGE	OUTPUT CURRENT AMPS	MODEL
347-480V	0.48A – 0.34A	167	150	32 to 53V	2.8A	<b>NCF2800C150WSD-IP67</b>

### LIMITED WARRANTY

5 YEAR at maximum case temperature 75 deg C. 3 YEAR at maximum case temperature 90 deg C. Manufacturer warrants to the purchaser: Product will be free from defects in material or workmanship from the date of manufacture conditioned upon proper storage, installation, use, and maintenance and conformance with any recommendations of Manufacturer

### Lead Length

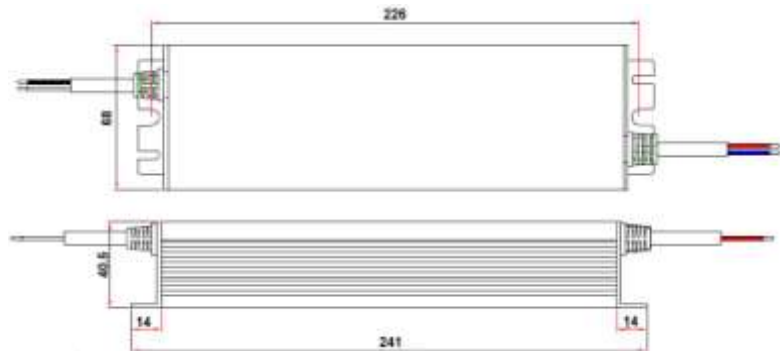
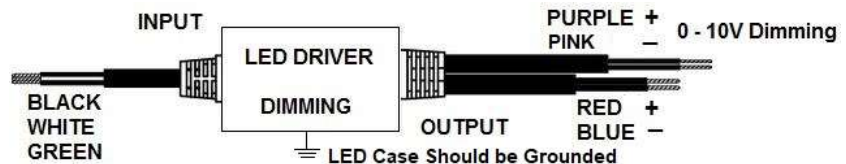
Colour	inc	cm
Black	6	15.2
White	6	15.2
Blue	6	15.2
Red	6	15.2
Pink	7.1	18
Purple	7.1	18

### 0-10V Dimmer Compatibility Chart

LUTRON	LEVITON
NFTV	DS710-10Z
DVTV-WH	

### Case Size Series FS9

L	W	H	ML
241	68	40.5	226mm
9.5	2.68	1.6	8.9inch



**WARNING:** Always Disconnect Power Before Handling. Case Should be Grounded. Install in Accordance with National and Local Electrical Codes

# 347V-480V LED DRIVER 200W 0-10V Dimming

Output Range 43V to 71V Constant Current **2800mA** Max **200W**

347V-480V Electronic Constant Current LED Driver 0-10V Dimming. Output Range of 43V to 71V for Single circuit 200W maximum.

## Technical Specification:

UL, CUL Recognized, ROHS Compliant  
 EMI FCC Part 15, Class A  
 Rating: IP 65 Damp, Dry  
 Output Open/Short Protection  
 Min. Starting Temp: - 40° C  
 Max. Case Temp: 90° C  
 Typical Efficiency: 90%

Input Voltage range:  $\pm 10\%$   
 Output Load range  $\pm 5\%$   
 Input Frequency: 50/60HZ  
 THD: < 20%  
 Power Factor Min: 0.90  
 Remote Wiring Distance Full Load: 18AWG -18 ft

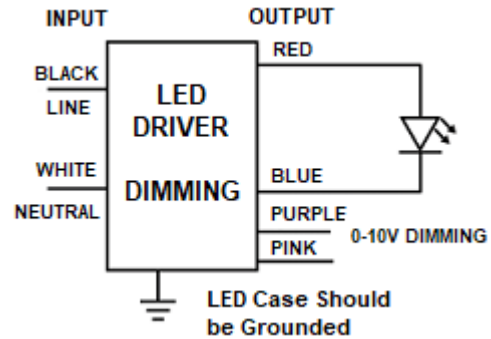
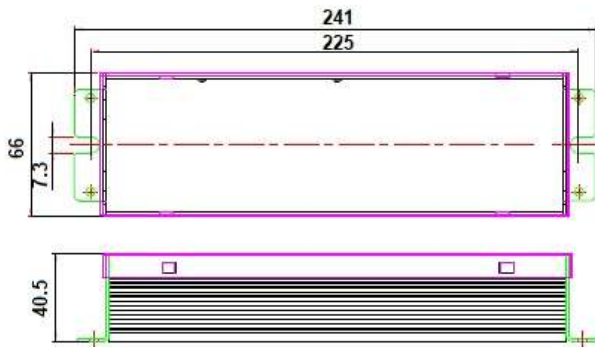
Case Size: Series FS5

Due to continuing efforts to offer improved products all specifications are subject to change without prior notice

INPUT VOLTAGE	INPUT CURRENT	INPUT WATTS	OUTPUT POWER WATTS MAX	OUTPUT VOLTAGE	OUTPUT CURRENT AMPS	MODEL
347-480V	0.64A – 0.46A	222	200	43 to 71V	2.8A	<b>NCF2800C200WSD</b>

### LIMITED WARRANTY

5 YEAR at maximum case temperature 75 deg C. 3 YEAR at maximum case temperature 90 deg C. Manufacturer warrants to the purchaser: Product will be free from defects in material or workmanship from the date of manufacture conditioned upon proper storage, installation, use, and maintenance and conformance with any recommendations of Manufacturer



### Lead Length

Colour	inc	cm
Black	6	15.2
White	6	15.2
Blue	6	15.2
Red	6	15.2
Pink	7.1	18
Purple	7.1	18

### 0-10V Dimmer Compatibility Chart

LUTRON	LEVITON
NFTV	DS710-10Z
DVTV-WH	

### Case Size Series FS5

L	W	H	ML
241	66	40.5	226mm
9.5	2.6	1.6	8.9inch

**WARNING:** Always Disconnect Power Before Handling. Case Should be Grounded. Install in Accordance with National and Local Electrical Codes

# 347V-480V LED DRIVER 150W 0-10V Dimming

## Output Range 30V to 50V Constant Current 3000mA Max 150W

347V-480V Electronic Constant Current LED Driver 0-10V Dimming. Output Range of 30V to 50V for Single circuit 150W maximum.

### Technical Specification:

UL, CUL Recognized, ROHS Compliant  
 EMI FCC Part 15, Class A  
 Rating: IP 65 Damp, Dry  
 Output Open/Short Protection  
 Min. Starting Temp: - 40° C  
 Max. Case Temp: 90° C  
 Typical Efficiency: 90%

Input Voltage range:  $\pm 10\%$   
 Output Load range:  $\pm 5\%$   
 Input Frequency: 50/60HZ  
 THD: < 20%  
 Power Factor Min: 0.90  
 Remote Wiring Distance Full Load: 18AWG -18 ft

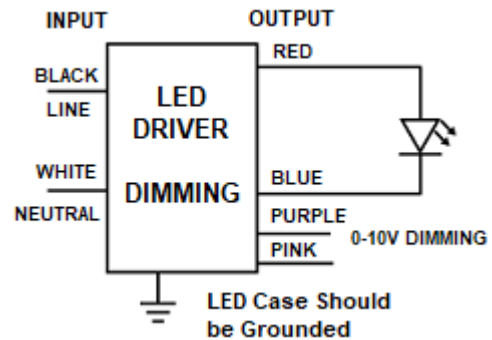
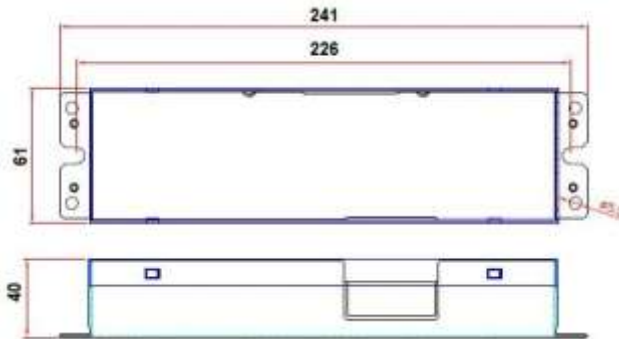
Case Size: Series FS4

Due to continuing efforts to offer improved products all specifications are subject to change without prior notice

INPUT VOLTAGE	INPUT CURRENT	INPUT WATTS	OUTPUT POWER WATTS MAX	OUTPUT VOLTAGE	OUTPUT CURRENT AMPS	MODEL
347-480V	0.48A – 0.34A	167	150	30 to 50V	3.0A	NCF3000C150WSD

#### LIMITED WARRANTY

5 YEAR at maximum case temperature 75 deg C. 3 YEAR at maximum case temperature 90 deg C. Manufacturer warrants to the purchaser: Product will be free from defects in material or workmanship from the date of manufacture conditioned upon proper storage, installation, use, and maintenance and conformance with any recommendations of Manufacturer



#### Lead Length

Colour	inc	cm
Black	6	15.2
White	6	15.2
Blue	6	15.2
Red	6	15.2
Pink	7.1	18
Purple	7.1	18

#### 0-10V Dimmer Compatibility Chart

LUTRON	LEVITON
NFTV	DS710-10Z
DVTV-WH	

#### Case Size Series FS4

L	W	H	ML
241	61	40	226mm
9.5	2.4	1.57	8.9inch

**WARNING:** Always Disconnect Power Before Handling. Case Should be Grounded. Install in Accordance with National and Local Electrical Codes

# 347V-480V LED DRIVER 200W 0-10V Dimming

Output Range 40V to 67V Constant Current **3000mA** Max **200W**

347V-480V Electronic Constant Current LED Driver 0-10V Dimming. Output Range of 40V to 67V for Single circuit 200W maximum.

## Technical Specification:

UL, CUL Recognized, ROHS Compliant  
 EMI FCC Part 15, Class A  
 Rating: IP 65 Damp, Dry  
 Output Open/Short Protection  
 Min. Starting Temp: - 40° C  
 Max. Case Temp: 90° C  
 Typical Efficiency: 90%

Input Voltage range:  $\pm 10\%$   
 Output Load range  $\pm 5\%$   
 Input Frequency: 50/60HZ  
 THD: < 20%  
 Power Factor Min: 0.90  
 Remote Wiring Distance Full Load: 18AWG -18 ft

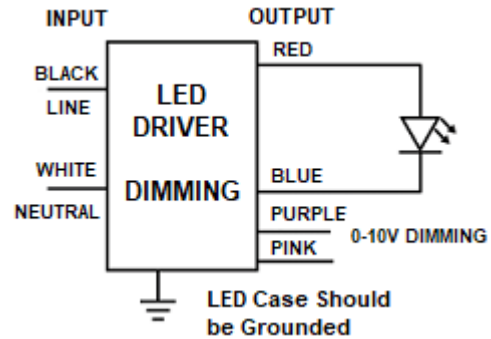
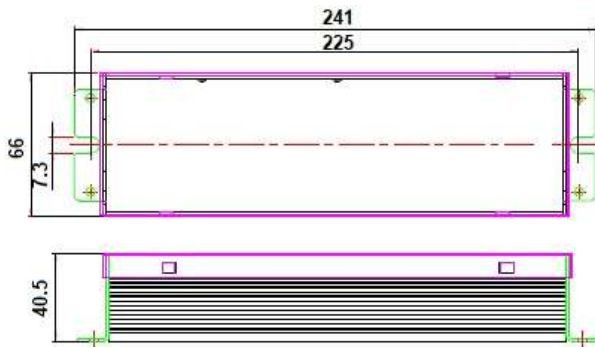
Case Size: Series FS5

Due to continuing efforts to offer improved products all specifications are subject to change without prior notice

INPUT VOLTAGE	INPUT CURRENT	INPUT WATTS	OUTPUT POWER WATTS MAX	OUTPUT VOLTAGE	OUTPUT CURRENT AMPS	MODEL
347-480V	0.64A – 0.46A	222	200	40 to 67V	3.0A	<b>NCF3000C200WSD</b>

### LIMITED WARRANTY

5 YEAR at maximum case temperature 75 deg C. 3 YEAR at maximum case temperature 90 deg C. Manufacturer warrants to the purchaser: Product will be free from defects in material or workmanship from the date of manufacture conditioned upon proper storage, installation, use, and maintenance and conformance with any recommendations of Manufacturer



### Lead Length

Colour	inc	cm
Black	6	15.2
White	6	15.2
Blue	6	15.2
Red	6	15.2
Pink	7.1	18
Purple	7.1	18

### 0-10V Dimmer Compatibility Chart

LUTRON	LEVITON
NFTV	DS710-10Z
DVTV-WH	

### Case Size Series FS5

L	W	H	ML
241	66	40.5	226mm
9.5	2.6	1.6	8.9inch

**WARNING:** Always Disconnect Power Before Handling. Case Should be Grounded. Install in Accordance with National and Local Electrical Codes

# 347V-480V LED DRIVER 150W 0-10V Dimming

## Output Range 26V to 43V Constant Current 3500mA Max 150W

347V-480V Electronic Constant Current LED Driver 0-10V Dimming. Output Range of 26V to 43V for Single circuit 150W maximum.

### Technical Specification:

UL, CUL Recognized, ROHS Compliant  
 EMI FCC Part 15, Class A  
 Rating: IP 65 Damp, Dry  
 Output Open/Short Protection  
 Min. Starting Temp: - 40° C  
 Max. Case Temp: 90° C  
 Typical Efficiency: 90%

Input Voltage range:  $\pm 10\%$   
 Output Load range  $\pm 5\%$   
 Input Frequency: 50/60HZ  
 THD: < 20%  
 Power Factor Min: 0.90  
 Remote Wiring Distance Full Load: 18AWG -18 ft

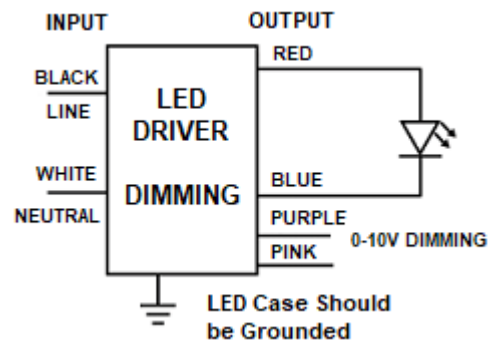
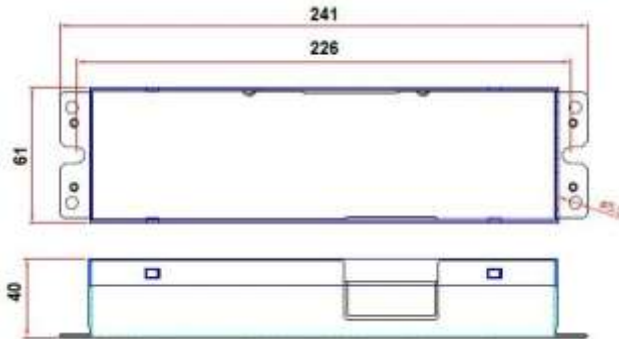
Case Size: Series FS4

Due to continuing efforts to offer improved products all specifications are subject to change without prior notice

INPUT VOLTAGE	INPUT CURRENT	INPUT WATTS	OUTPUT POWER WATTS MAX	OUTPUT VOLTAGE	OUTPUT CURRENT AMPS	MODEL
347-480V	0.48A – 0.34A	167	150	26 to 43V	3.5A	<b>NCF3500C150WSD</b>

#### LIMITED WARRANTY

5 YEAR at maximum case temperature 75 deg C. 3 YEAR at maximum case temperature 90 deg C. Manufacturer warrants to the purchaser: Product will be free from defects in material or workmanship from the date of manufacture conditioned upon proper storage, installation, use, and maintenance and conformance with any recommendations of Manufacturer



#### Lead Length

Colour	inc	cm
Black	6	15.2
White	6	15.2
Blue	6	15.2
Red	6	15.2
Pink	7.1	18
Purple	7.1	18

#### 0-10V Dimmer Compatibility Chart

LUTRON	LEVITON
NFTV	DS710-10Z
DVTV-WH	

#### Case Size Series FS4

L	W	H	ML
241	61	40	226mm
9.5	2.4	1.57	8.9inch

**WARNING:** Always Disconnect Power Before Handling. Case Should be Grounded. Install in Accordance with National and Local Electrical Codes



# 347V-480V LED DRIVER 200W 0-10V Dimming

Output Range 34V to 57V Constant Current **3500mA** Max **200W**

347V-480V Electronic Constant Current LED Driver 0-10V Dimming. Output Range of 34V to 57V for Single circuit 200W maximum.

## Technical Specification:

UL, CUL Recognized, ROHS Compliant  
 EMI FCC Part 15, Class A  
 Rating: IP 65 Damp, Dry  
 Output Open/Short Protection  
 Min. Starting Temp: - 40° C  
 Max. Case Temp: 90° C  
 Typical Efficiency: 90%

Input Voltage range:  $\pm 10\%$   
 Output Load range  $\pm 5\%$   
 Input Frequency: 50/60HZ  
 THD: < 20%  
 Power Factor Min: 0.90  
 Remote Wiring Distance Full Load: 18AWG -18 ft

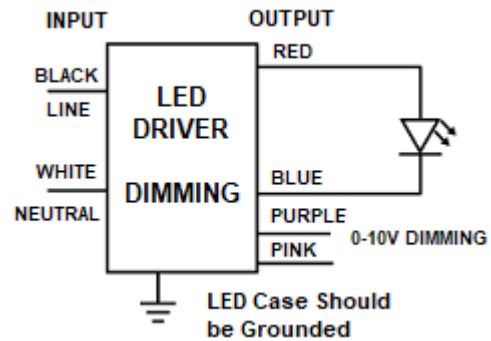
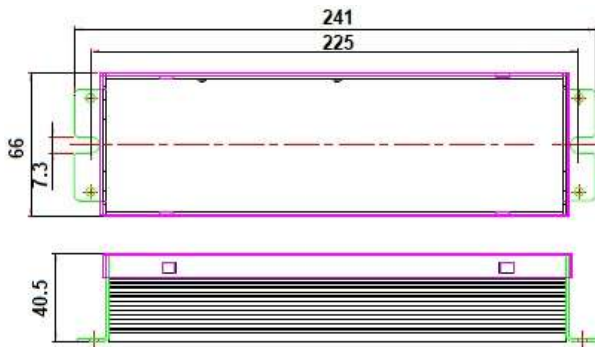
Case Size: Series FS5

Due to continuing efforts to offer improved products all specifications are subject to change without prior notice

INPUT VOLTAGE	INPUT CURRENT	INPUT WATTS	OUTPUT POWER WATTS MAX	OUTPUT VOLTAGE	OUTPUT CURRENT AMPS	MODEL
347-480V	0.64A – 0.46A	222	200	34 to 57V	3.5A	<b>NCF3500C200WSD</b>

### LIMITED WARRANTY

5 YEAR at maximum case temperature 75 deg C. 3 YEAR at maximum case temperature 90 deg C. Manufacturer warrants to the purchaser: Product will be free from defects in material or workmanship from the date of manufacture conditioned upon proper storage, installation, use, and maintenance and conformance with any recommendations of Manufacturer



### Lead Length

Colour	inc	cm
Black	6	15.2
White	6	15.2
Blue	6	15.2
Red	6	15.2
Pink	7.1	18
Purple	7.1	18

### 0-10V Dimmer Compatibility Chart

LUTRON	LEVITON
NFTV	DS710-10Z
DVTV-WH	

### Case Size Series FS5

L	W	H	ML
241	66	40.5	226mm
9.5	2.6	1.6	8.9inch

**WARNING:** Always Disconnect Power Before Handling. Case Should be Grounded. Install in Accordance with National and Local Electrical Codes



# LED DRIVER CCT & Brightness Control 18W

Output 22V to 36V Constant Current 500mA Max 18W 0-10V Dimming  
For use with 2 Dimmers

Universal Voltage Input 120-277V Electronic Dual Channel 0-10V Dimming Constant Current 500mA LED Driver. Output Range of 22V to 36V. 18W maximum for Colour control application.

## Technical Specification:

UL, CUL Certified, ROHS Compliant  
EMI FCC Part 15, Class A  
Rating: IP 65 Damp, Dry  
Min. Starting Temp: - 40° C  
Max. Case Temp: 90° C  
Typical Efficiency: 82%  
2 Channel Dimming

Input Voltage range:  $\pm 10\%$   
Output Load range:  $\pm 5\%$   
Input Frequency: 50/60HZ  
THD: < 20%  
Power Factor Min: 0.90  
Output Open/Short Protection  
Remote Wiring Distance Full Load: 18AWG -18 ft

Case Size: Series MU2

Due to continuing efforts to offer improved products all specifications are subject to change without prior notice

INPUT VOLTAGE	INPUT CURRENT AMPS	INPUT POWER WATTS	OUTPUT POWER WATTS	OUTPUT CURRENT AMPS	OUTPUT VOLTAGE	MODEL
120	0.19	22	18	0.5A	22 to 36V	NU500C18WD-CB
277	0.09					

### LIMITED WARRANTY

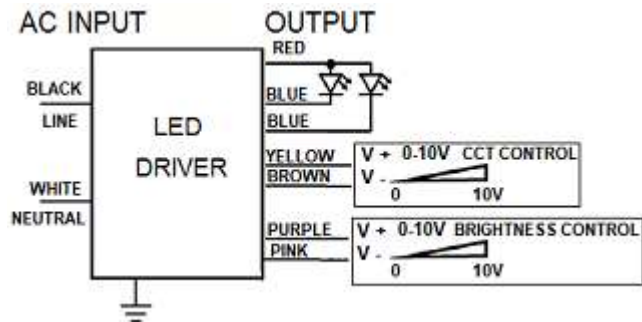
5 YEAR at maximum case temperature 75 deg C. 3 YEAR at maximum case temperature 90 deg C. Manufacturer warrants to the purchaser: Product will be free from defects in material or workmanship from the date of manufacture conditioned upon proper storage, installation, use, and maintenance and conformance with any recommendations of Manufacturer

### Lead Length

Colour	inc	cm
Black	6	15.2
White	6	15.2
Blue	6	15.2
Red	6	15.2
Pink	7.1	18
Purple	7.1	18
Yellow	7.1	18
Brown	7.1	18

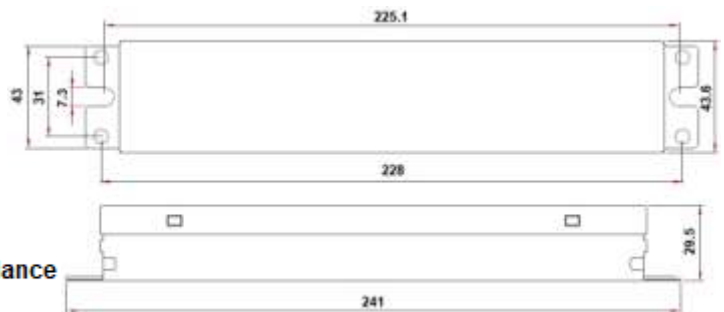
### 0-10V Dimmer Compatibility Chart

LUTRON	LEVITON
NFTV	DS710-10Z
DVTV-WH	



### Case Size Series MU2

L	W	H	ML
241	43	29.5	226mm
9.5	1.7	1.2	8.9 inch



**WARNING: Always Disconnect Power Before Handling. Case Should be Grounded. Install in Accordance with National and Local Electrical Codes.**

# LED DRIVER CCT & Brightness Control 23W

Output 23V to 39V Constant Current 1400mA Max 23W 0-10V Dimming  
For use with 2 Dimmers with Side Leads

Universal Voltage Input 120-277V Electronic Dual Channel 0-10V Dimming Constant Current 1400mA LED Driver. Output Range of 23V to 39V. 23W maximum for Colour control application.

## Technical Specification:

UL, CUL Certified, ROHS Compliant  
EMI FCC Part 15, Class A  
Rating: IP 65 Damp, Dry  
Min. Starting Temp: - 40° C  
Max. Case Temp: 90° C  
Typical Efficiency: 85%  
2 Channel Dimming

Input Voltage range:  $\pm 10\%$   
Output Load range:  $\pm 5\%$   
Input Frequency: 50/60HZ  
THD: < 20%  
Power Factor Min: 0.90  
Output Open/Short Protection  
Remote Wiring Distance Full Load: 18AWG -18 ft

Case Size: Series MU2

Due to continuing efforts to offer improved products all specifications are subject to change without prior notice

INPUT VOLTAGE	INPUT CURRENT AMPS	INPUT POWER WATTS	OUTPUT POWER WATTS	OUTPUT CURRENT AMPS	OUTPUT VOLTAGE	MODEL
120	0.30	27	23	0.6A	23 to 39V	NU600C23WD-CB
277	0.13					

### LIMITED WARRANTY

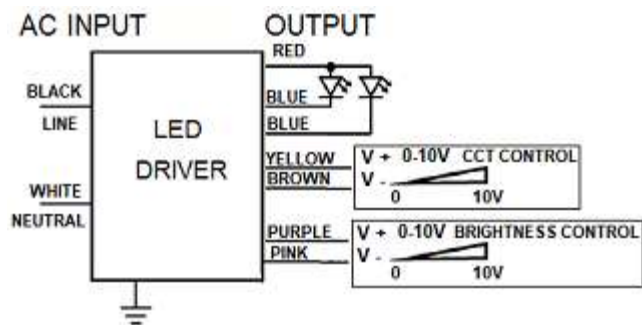
5 YEAR at maximum case temperature 75 deg C. 3 YEAR at maximum case temperature 90 deg C. Manufacturer warrants to the purchaser: Product will be free from defects in material or workmanship from the date of manufacture conditioned upon proper storage, installation, use, and maintenance and conformance with any recommendations of Manufacturer

### Lead Length

Colour	inc	cm
Black	6	15.2
White	6	15.2
Blue	6	15.2
Red	6	15.2
Pink	7.1	18
Purple	7.1	18
Yellow	7.1	18
Brown	7.1	18

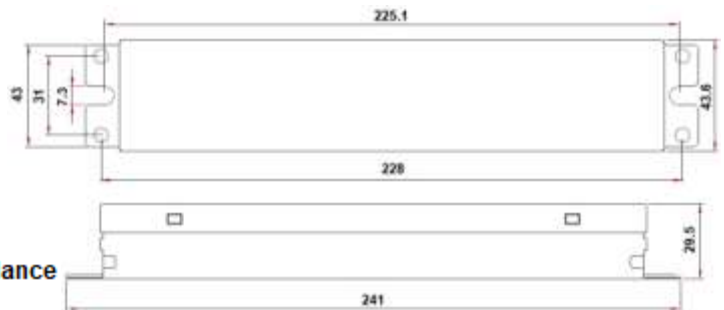
### 0-10V Dimmer Compatibility Chart

LUTRON	LEVITON
NFTV	DS710-10Z
DVTV-WH	



Case Size Series MU2

L	W	H	ML
241	43	29.5	226mm
9.5	1.7	1.2	8.9 inch



**WARNING: Always Disconnect Power Before Handling.**  
Case Should be Grounded. Install in Accordance with National and Local Electrical Codes.

# LED DRIVER CCT & Brightness Control 25W

Output 22V to 36V Constant Current 700mA Max 25W 0-10V Dimming  
For use with 2 Dimmers

Universal Voltage Input 120-277V Electronic Dual Channel 0-10V Dimming Constant Current 700mA LED Driver. Output Range of 22V to 36V. 25W maximum for Colour control application.

## Technical Specification:

UL, CUL Listed, ROHS Compliant  
EMI FCC Part 15, Class A  
Rating: IP 65 Damp, Dry  
Min. Starting Temp: -40° C  
Max. Case Temp: 90° C  
Typical Efficiency: 85%  
2 Channel Dimming

Input Voltage range:  $\pm 10\%$   
Output Load range:  $\pm 5\%$   
Input Frequency: 50/60HZ  
THD: < 20%  
Power Factor Min: 0.90  
Output Open/Short Protection  
Remote Wiring Distance Full Load: 18AWG -18 ft

Case Size: Series MU2

Due to continuing efforts to offer improved products all specifications are subject to change without prior notice

INPUT VOLTAGE	INPUT CURRENT AMPS	INPUT POWER WATTS	OUTPUT POWER WATTS	OUTPUT CURRENT AMPS	OUTPUT VOLTAGE	MODEL
120	0.26	30	25	0.7A	22 to 36V	NU700C25WD-CB
277	0.12					

### LIMITED WARRANTY

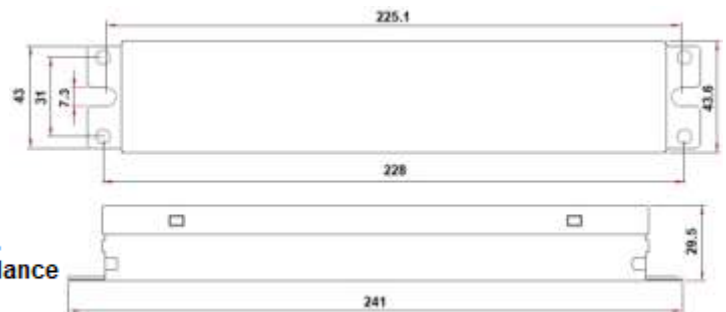
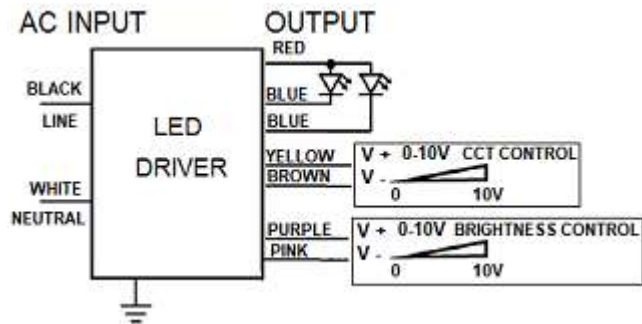
5 YEAR at maximum case temperature 75 deg C. 3 YEAR at maximum case temperature 90 deg C. Manufacturer warrants to the purchaser: Product will be free from defects in material or workmanship from the date of manufacture conditioned upon proper storage, installation, use, and maintenance and conformance with any recommendations of Manufacturer

### Lead Length

Colour	inc	cm
Black	6	15.2
White	6	15.2
Blue	6	15.2
Red	6	15.2
Pink	7.1	18
Purple	7.1	18
Yellow	7.1	18
Brown	7.1	18

### 0-10V Dimmer Compatibility Chart

LUTRON	LEVITON
NFTV	DS710-10Z
DVTV-WH	



### Case Size Series MU2

L	W	H	ML
241	43	29.5	226mm
9.5	1.7	1.2	8.9 inch

**WARNING: Always Disconnect Power Before Handling. Case Should be Grounded. Install in Accordance with National and Local Electrical Codes.**

# LED DRIVER CCT & Brightness Control 50W

Output 22V to 36V Constant Current 1400mA Max 50W 0-10V Dimming  
For use with 2 Dimmers

Universal Voltage Input 120-277V Electronic Dual Channel 0-10V Dimming Constant Current 1400mA LED Driver. Output Range of 22V to 36V. 50W maximum for Colour control application.

## Technical Specification:

UL, CUL Certified, ROHS Compliant  
EMI FCC Part 15, Class A  
Rating: IP 65 Damp, Dry  
Min. Starting Temp: - 40° C  
Max. Case Temp: 90° C  
Typical Efficiency: 85%  
2 Channel Dimming

Input Voltage range:  $\pm 10\%$   
Output Load range:  $\pm 5\%$   
Input Frequency: 50/60HZ  
THD: < 20%  
Power Factor Min: 0.90  
Output Open/Short Protection  
Remote Wiring Distance Full Load: 18AWG -18 ft

Case Size: Series MU2

Due to continuing efforts to offer improved products all specifications are subject to change without prior notice

INPUT VOLTAGE	INPUT CURRENT AMPS	INPUT POWER WATTS	OUTPUT POWER WATTS	OUTPUT CURRENT AMPS	OUTPUT VOLTAGE	MODEL
120	0.26	59	50	1.4A	22 to 36V	NU1400C50WD-CB
277	0.12					

### LIMITED WARRANTY

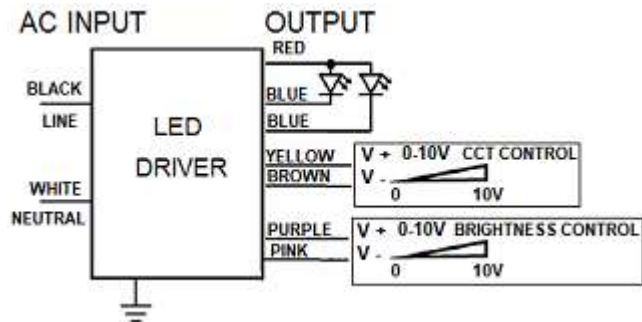
5 YEAR at maximum case temperature 75 deg C. 3 YEAR at maximum case temperature 90 deg C. Manufacturer warrants to the purchaser: Product will be free from defects in material or workmanship from the date of manufacture conditioned upon proper storage, installation, use, and maintenance and conformance with any recommendations of Manufacturer

### Lead Length

Colour	inc	cm
Black	6	15.2
White	6	15.2
Blue	6	15.2
Red	6	15.2
Pink	7.1	18
Purple	7.1	18
Yellow	7.1	18
Brown	7.1	18

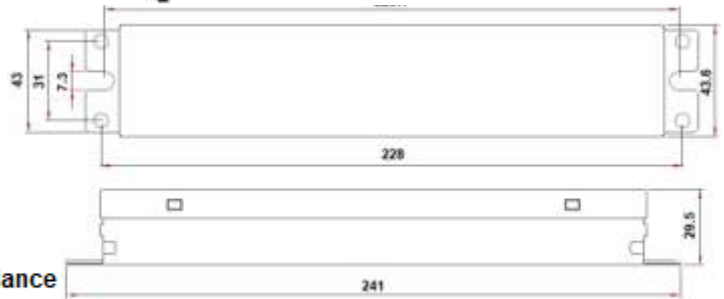
### 0-10V Dimmer Compatibility Chart

LUTRON	LEVITON
NFTV	DS710-10Z
DVTV-WH	



Case Size Series MU2

L	W	H	ML
241	43	29.5	226mm
9.5	1.7	1.2	8.9 inch



**WARNING: Always Disconnect Power Before Handling. Case Should be Grounded. Install in Accordance with National and Local Electrical Codes.**

# LED DRIVER CCT & Brightness Control 60W

Output 26V to 43V Constant Current 1400mA Max 60W 0-10V Dimming  
For use with 2 Dimmers

Universal Voltage Input 120-277V Electronic Dual Channel 0-10V Dimming Constant Current 1400mA LED Driver. Output Range of 26V to 43V. 60W maximum for Colour control application.

## Technical Specification:

UL, CUL Certified, ROHS Compliant  
EMI FCC Parts 18, Subparts C, Class A  
Rating: IP 65 Damp, Dry  
Min. Starting Temp: - 40° C  
Max. Case Temp: 90° C  
Typical Efficiency: 85%  
2 Channel Dimming

Input Voltage range:  $\pm 10\%$   
Output Load range  $\pm 5\%$   
Input Frequency: 50/60HZ  
THD: < 20%  
Power Factor Min: 0.90  
Output Open/Short Protection  
Remote Wiring Distance Full Load: 18AWG -18 ft

Case Size: Series MU2

Due to continuing efforts to offer improved products all specifications are subject to change without prior notice

INPUT VOLTAGE	INPUT CURRENT AMPS	INPUT POWER WATTS	OUTPUT POWER WATTS	OUTPUT CURRENT AMPS	OUTPUT VOLTAGE	MODEL
120	0.60	71	60	1.4A	26 to 43V	NU1400C60WD-CB
277	0.26					

### LIMITED WARRANTY

5 YEAR at maximum case temperature 75 deg C. 3 YEAR at maximum case temperature 90 deg C. Manufacturer warrants to the purchaser: Product will be free from defects in material or workmanship from the date of manufacture conditioned upon proper storage, installation, use, and maintenance and conformance with any recommendations of Manufacturer

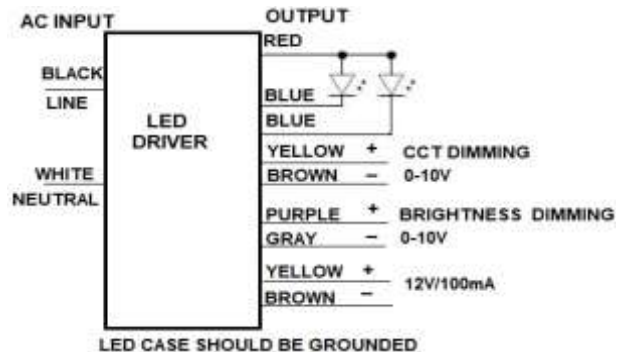
### Lead Length

Colour	inch	cm
Black	5.9	15
White	5.9	15
Blue	5.9	15
Red	5.9	15
Gray	5.9	15
Purple	5.9	15
Yellow	5.9	15
Brown	5.9	15

### 0-10V Dimmer

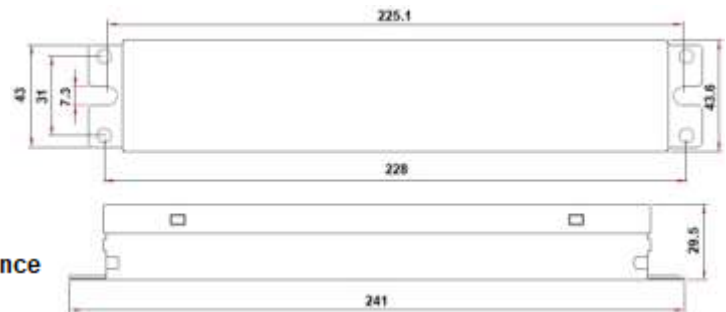
#### Compatibility Chart

LUTRON	LEVITON
NFTV	DS710-10Z
DVTV-WH	



### Case Size Series MU2

L	W	H	ML
241	43	29.5	226mm
9.5	1.7	1.2	8.9 inch



**WARNING: Always Disconnect Power Before Handling.**  
Case Should be Grounded. Install in Accordance with National and Local Electrical Codes.

# LED DRIVER CCT & Brightness Control 34W 0-10V Dimming

Output 27V to 45V **Selectable** Multi Current **450mA to 750mA** Max **34W**  
 For use with **Selectable** DIP Switch

Multi Voltage Input 120-347V Electronic 0-10V Dimming **Selectable** Multi Current Range 450mA to 750mA LED Driver. Output Range of 27V to 45V. 34W maximum with DIP Switch for Colour control application.

## Technical Specification:

Class 2 UL, CUL Certified, ROHS Compliant  
 EMI FCC Part 15, Class A  
 Rating: IP 30 Damp, Dry  
 Min. Starting Temp: - 40° C  
 Max. Case Temp: 90° C  
 Typical Efficiency: 85%  
 DIP Switch

Input Voltage range:  $\pm 10\%$   
 Output Load range  $\pm 5\%$   
 Input Frequency: 50/60HZ  
 THD: < 20%  
 Power Factor Min: 0.90  
 Output Open/Short Protection  
 Remote Wiring Distance Full Load: 18AWG -18 ft

Case Size: Series EM1

Due to continuing efforts to offer improved products all specifications are subject to change without prior notice

INPUT VOLTAGE	INPUT CURRENT	INPUT WATTS	OUTPUT WATTS MAX	OUTPUT VOLTAGE	OUTPUT CURRENT AMPS	TYPICAL EFFICIENCY %	MODEL
120V-347V	0.20A - 0.07A	24	20	27 to 45V	0.45A	82	<b>NM750D3C34WD-CB</b>
	0.28A - 0.09A	33	27		0.60A	83	
	0.60 - 0.20A	40	34		0.75A	85	

### LIMITED WARRANTY

5 YEAR at maximum case temperature 75 deg C. 3 YEAR at maximum case temperature 90 deg C. Manufacturer warrants to the purchaser: Product will be free from defects in material or workmanship from the date of manufacture conditioned upon proper storage, installation, use, and maintenance and conformance with any recommendations of Manufacturer

Switch Position	Output Current
S1 100% Channel 2	750mA
S2 50% Channel 1&2	600mA
S3 100% Channel 1	450mA

### Lead Length

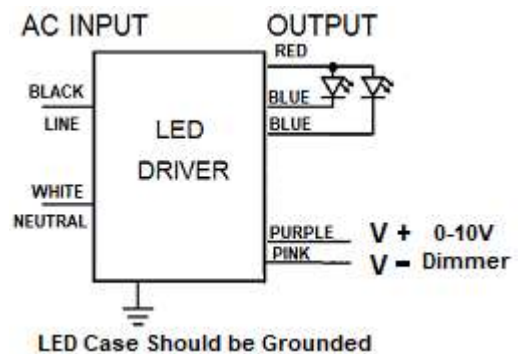
Colour	inc	cm
Black	6	15.2
White	6	15.2
Blue	6	15.2
Red	6	15.2
Pink	7.1	18
Purple	7.1	18

### Case Size Series EM1

L	W	H	ML
304	43	30.5	289mm
11.97	1.7	1.2	11.38inch

### 0-10V Dimmer Compatibility Chart

LUTRON	LEVITON
NFTV	DS710-10Z
DVTV-WH	



**WARNING:** Always Disconnect Power Before Handling. Case Should be Grounded. Install in Accordance with National and Local Electrical Codes



# LED DRIVER **CCT & Brightness Control 60W** 0-10V Dimming

Output 26V to 43V **Selectable** Multi Current **1000mA** to **1400mA** Max **60W**  
For use with **Selectable DIP Switch**

Multi Voltage Input 120-347V Electronic 0-10V Dimming **Selectable** Multi Current LED Driver. Output Range of 26V to 43V. 60W maximum with DIP Switch for Colour control application.

## Technical Specification:

Class 2 UL, CUL Certified, ROHS Compliant  
EMI FCC Part 15, Class A  
Rating: IP 30 Damp, Dry  
Min. Starting Temp: - 40° C  
Max. Case Temp: 90° C  
Typical Efficiency: 87%  
DIP Switch

Input Voltage range:  $\pm 10\%$   
Output Load range:  $\pm 5\%$   
Input Frequency: 50/60HZ  
THD: < 20%  
Power Factor Min: 0.90  
Output Open/Short Protection  
Remote Wiring Distance Full Load: 18AWG -18 ft

Case Size: Series EM1

Due to continuing efforts to offer improved products all specifications are subject to change without prior notice

INPUT VOLTAGE	INPUT CURRENT	INPUT WATTS	OUTPUT WATTS MAX	OUTPUT VOLTAGE	OUTPUT CURRENT AMPS	TYPICAL EFFICIENCY %	MODEL
120V-347V	0.43A - 0.15A	51	43	26 to 43V	1.0A	84	<b>NM1400D3C60WD-CB</b>
	0.51A - 0.17A	61	52		1.2A	85	
	0.60 - 0.20A	69	60		1.4A	87	

### LIMITED WARRANTY

5 YEAR at maximum case temperature 75 deg C. 3 YEAR at maximum case temperature 90 deg C. Manufacturer warrants to the purchaser: Product will be free from defects in material or workmanship from the date of manufacture conditioned upon proper storage, installation, use, and maintenance and conformance with any recommendations of Manufacturer

Switch Position	Output Current
S1 100% Channel 2	1400mA
S2 50% Channel 1&2	1200mA
S3 100% Channel 1	1000mA

### Lead Length

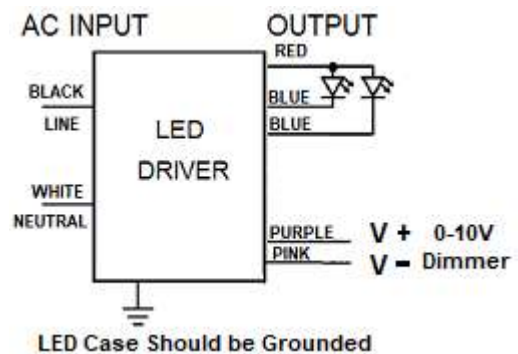
Colour	inc	cm
Black	6	15.2
White	6	15.2
Blue	6	15.2
Red	6	15.2
Pink	7.1	18
Purple	7.1	18

### Case Size Series EM1

L	W	H	ML
304	43	30.5	289mm
11.97	1.7	1.2	11.38inch

### 0-10V Dimmer Compatibility Chart

LUTRON	LEVITON
NFTV	DS710-10Z
DVTV-WH	



**WARNING:** Always Disconnect Power Before Handling. Case Should be Grounded. Install in Accordance with National and Local Electrical Codes



# Sage

**347V**

## **Dimmable & Non-Dimmable Selectable Multi Current LED Drivers**

Sage offers the largest selection of 347V LED Drivers including a variety of Custom drivers with multiple Form factor and output values designed for a select group of OEM Fixture manufacturers. These drivers provide flexibility for the Fixture Manufacturers to design and offer wide range of luminaires for the Canadian Market.

It is also easy to combine into common dimming systems accessible in commercial applications. Pre-selected custom output current option is available to facilitate large production needs.

Output Current: from 1050mA to 2100mA



# 347V LED DRIVER 67W 0-10V Dimming

Output Range 28V to 48V **Selectable** Multi Current **700mA** to **1400mA** Max **67W**

347V Electronic **Selectable** Multi Current Range 700mA to 1400mA LED Driver 0-10V Dimming. Output Range of 28V to 48V for Single Output circuit 67W maximum.

## Technical Specification:

UL, CUL Recognized, ROHS Compliant  
 EMI FCC Part 15, Class A  
 Rating: IP 64 Damp, Dry  
 Output Open/Short Protection  
 Min. Starting Temp: -40° C  
 Max. Case Temp: 90° C

Input Voltage range:  $\pm 10\%$   
 Output Load range  $\pm 5\%$   
 Input Frequency: 50/60HZ  
 THD: < 20%  
 Power Factor Min: 0.90  
 Remote Wiring Distance Full Load: 18AWG -18 ft

**Case Size: Series MU2**

Due to continuing efforts to offer improved products all specifications are subject to change without prior notice

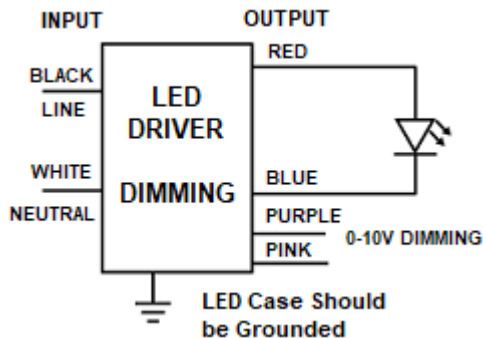
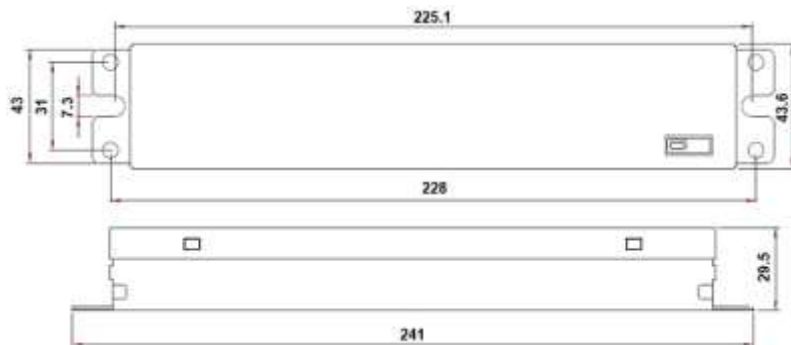
INPUT VOLTAGE	OUTPUT POWER WATTS MAX	INPUT CURRENT	INPUT WATTS	OUTPUT VOLTAGE	OUTPUT CURRENT AMPS	TYPICAL EFFICIENCY %	MODEL
347V	33	0.11A	39	28 to 48V	0.7A	84	NC1400D3C67WSD
	50	0.17A	58		1.05A	85	
	67	0.28A	77		1.4A	87	

### LIMITED WARRANTY

5 YEAR at maximum case temperature 75 deg C. 3 YEAR at maximum case temperature 90 deg C. Manufacturer warrants to the purchaser: Product will be free from defects in material or workmanship from the date of manufacture conditioned upon proper storage, installation, use, and maintenance and conformance with any recommendations of Manufacturer

### Lead Length

Colour	inc	cm
Black	6	15.2
White	6	15.2
Blue	6	15.2
Red	6	15.2
Pink	7.1	18
Purple	7.1	18



### 0-10V Dimmer Compatibility Chart

LUTRON	LEVITON
NFTV	DS710-10Z
DVTV-WH	

### Case Size Series MU2

L	W	H	ML
241	43	29.5	226mm
9.5	1.7	1.2	8.9 inch

**WARNING:** Always Disconnect Power Before Handling. Case Should be Grounded. Install in Accordance with National and Local Electrical Codes



# 347V LED DRIVER 40W **Selectable** Multi Current

Output Range 22V to 38V **Selectable** Multi Current **500mA** to **1050mA** Max **40W**  
Slim Case with Leads

347V Electronic **Selectable** Multi Current 500mA to 1050mA LED Driver. Output Range between 22V to 38V for Single Output circuit 40W maximum.

## Technical Specification:

Class 2 UL, CUL Recognized, ROHS Compliant

EMI FCC Part 15, Class A

Rating: IP 64 Damp, Dry

Output Open/Short Protection

Min. Starting Temp: - 40° C

Max. Case Temp: 90° C

Input Voltage range:  $\pm$  5%

Output Load range  $\pm$  5%

Input Frequency: 50/60HZ

THD: < 20%

Power Factor Min: >0.90

Remote Wiring Distance Full Load: 18AWG -18 ft

**Case Size: Series MU2**

Due to continuing efforts to offer improved products all specifications are subject to change without prior notice

2/5/23

INPUT VOLTAGE	INPUT CURRENT	INPUT WATTS	OUTPUT POWER WATTS MAX	OUTPUT VOLTAGE	OUTPUT CURRENT AMPS	TYPICAL EFFICIENCY %	MODEL
347	0.07	23	19	22 to 38V	0.5A	81	NC1050D3C40WS
	0.09	31	26		0.7A	82	
	0.14	48	40		1.05A	83	

### LIMITED WARRANTY

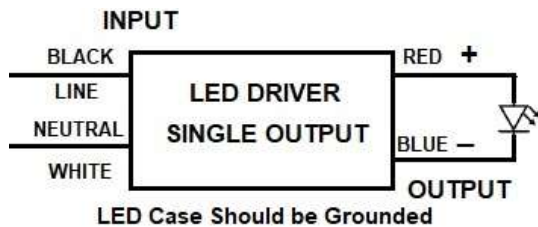
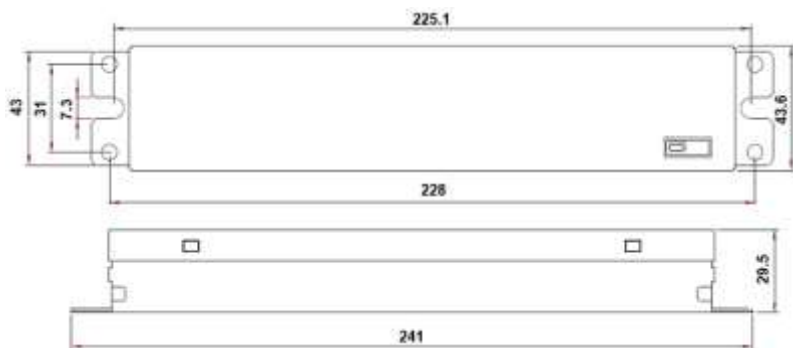
5 YEAR at maximum case temperature 75 deg C. 3 YEAR at maximum case temperature 90 deg C. Manufacturer warrants to the purchaser: Product will be free from defects in material or workmanship from the date of manufacture conditioned upon proper storage, installation, use, and maintenance and conformance with any recommendations of Manufacturer

### Lead Length

Colour	inch	cm
Black	6	15.2
White	6	15.2
Blue	6	15.2
Red	6	15.2

### Case Size Series MU2

L	W	H	ML
241	43	29.5	226mm
9.5	1.7	1.2	8.9 inch



**WARNING:** Always Disconnect Power Before Handling. Case Should be Grounded. Install in Accordance with National and Local Electrical Codes

901 - 3rd Street West, North Vancouver, BC V7P 3P9 Canada

TEL: 604-904-9533

www.sagedrivers.com www.sagelighting.com

*Sage  
Lighting Ltd.*

# 347V LED DRIVER 60W **Selectable** Multi Current

Output Range 30V to 43V **Selectable** Multi Current **700mA to 1400mA** Max **60W**

347V Electronic **Selectable** Multi Current 700mA to 1400mA LED Driver. Output Range between 30V to 43V for Single Output circuit 60W maximum.

## Technical Specification:

Class 2 UL, CUL Recognized, ROHS Compliant  
 EMI FCC Part 15, Class A  
 Rating: IP 64 Damp, Dry  
 Output Open/Short Protection  
 Min. Starting Temp: -40° C  
 Max. Case Temp: 90° C

Input Voltage range:  $\pm 5\%$   
 Output Load range:  $\pm 5\%$   
 Input Frequency: 50/60HZ  
 THD: < 20%  
 Power Factor Min: >0.90  
 Remote Wiring Distance Full Load: 18AWG -18 ft

Case Size: Series MU2

Due to continuing efforts to offer improved products all specifications are subject to change without prior notice

INPUT VOLTAGE	INPUT CURRENT	INPUT WATTS	OUTPUT POWER WATTS MAX	OUTPUT VOLTAGE	OUTPUT CURRENT AMPS	TYPICAL EFFICIENCY %	MODEL
347	0.19	37	30	30 to 43V	0.7A	85	NC1400D3C60WS
	0.23	55	45		1.05A	86	
	0.28	68	60		1.4A	88	

### LIMITED WARRANTY

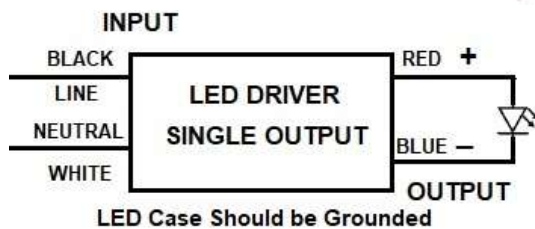
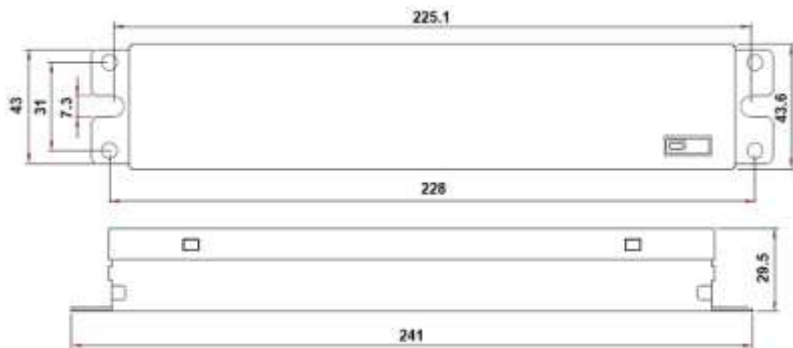
5 YEAR at maximum case temperature 75 deg C. 3 YEAR at maximum case temperature 90 deg C. Manufacturer warrants to the purchaser: Product will be free from defects in material or workmanship from the date of manufacture conditioned upon proper storage, installation, use, and maintenance and conformance with any recommendations of Manufacturer

### Lead Length

Colour	inch	cm
Black	6	15.2
White	6	15.2
Blue	6	15.2
Red	6	15.2

### Case Size Series MU2

L	W	H	ML
241	43	29.5	226mm
9.5	1.7	1.2	8.9 inch



**WARNING:** Always Disconnect Power Before Handling. Case Should be Grounded. Install in Accordance with National and Local Electrical Codes



# 347V LED DRIVER 84W **Selectable** Multi Current

Output Range 24V to 40V **Selectable** Multi Current **1400mA** to **2100mA** Max **84W**

347V Electronic **Selectable** Multi Current 1.4A to 2.1A LED Driver. Output Range between 24V to 40V for Single Output circuit 84W maximum.

## Technical Specification:

Class 2 UL, CUL Recognized, ROHS Compliant  
 EMI FCC Part 15, Class A  
 Rating: IP 64 Damp, Dry  
 Output Open/Short Protection  
 Min. Starting Temp: -40° C  
 Max. Case Temp: 90° C

Input Voltage range:  $\pm 5\%$   
 Output Load range:  $\pm 5\%$   
 Input Frequency: 50/60HZ  
 THD: < 20%  
 Power Factor Min: >0.90  
 Remote Wiring Distance Full Load: 18AWG -18 ft

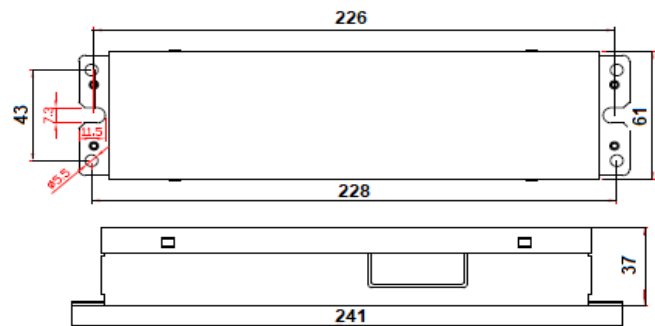
Case Size: Series FS3

Due to continuing efforts to offer improved products all specifications are subject to change without prior notice

INPUT VOLTAGE	INPUT CURRENT	INPUT WATTS	OUTPUT POWER WATTS MAX	OUTPUT VOLTAGE	OUTPUT CURRENT AMPS	TYPICAL EFFICIENCY %	MODEL
347	0.19	65	56	24 to 40V	1.4A	86	NC2100D3C84WS
	0.23	80	70		1.75A	87	
	0.28	95	84		2.1A	88	

### LIMITED WARRANTY

5 YEAR at maximum case temperature 75 deg C. 3 YEAR at maximum case temperature 90 deg C. Manufacturer warrants to the purchaser: Product will be free from defects in material or workmanship from the date of manufacture conditioned upon proper storage, installation, use, and maintenance and conformance with any recommendations of Manufacturer



### Lead Length

Colour	inch	cm
Black	6	15.2
White	6	15.2
Blue	6	15.2
Red	6	15.2

### Case Size Series FS3

L	W	H	ML
241	61	37	226mm
9.5	2.4	1.46	8.9inch

**WARNING:** Always Disconnect Power Before Handling. Case Should be Grounded. Install in Accordance with National and Local Electrical Codes



# Sage

## **120-277V Dimmable Selectable Multi Current LED Drivers**

Sage 120 to 277V LED Drivers include a wide variety of Custom drivers with multiple Form factor and output values designed for a select group of OEM Fixture manufactures. These drivers provide flexibility for the Fixture Manufacturers to offer wide range of luminaires for the ever changing market needs and light engine supplies.

It is also easy to combine into common dimming systems accessible in commercial applications. Pre-selected custom output current option is available to facilitate large production needs.

Output Current: from 450mA to 3000mA



# LED DRIVER 60W 0-10V Dimming

Output Range 93V to 133V **Selectable** Multi Current **350mA to 450mA** Max **60W**

Universal Voltage 120-277V Electronic **Selectable** Multi Current 350mA to 450mA LED Driver 0-10V Dimming. Output Range of 93V to 133V for Single circuit 60W maximum.

## Technical Specification:

UL, CUL Recognized, ROHS Compliant  
 EMI FCC Part 15, Class A  
 Rating: IP 64 Damp, Dry  
 Output Open/Short Protection  
 Min. Starting Temp: - 40° C  
 Max. Case Temp: 90° C

Input Voltage range:  $\pm 10\%$   
 Output Load range:  $\pm 5\%$   
 Input Frequency: 50/60HZ  
 THD: < 20%  
 Power Factor Min: 0.90  
 Remote Wiring Distance Full Load: 18AWG -18 ft

**Case Size: Series MU2**

Due to continuing efforts to offer improved products all specifications are subject to change without prior notice

2/5/23

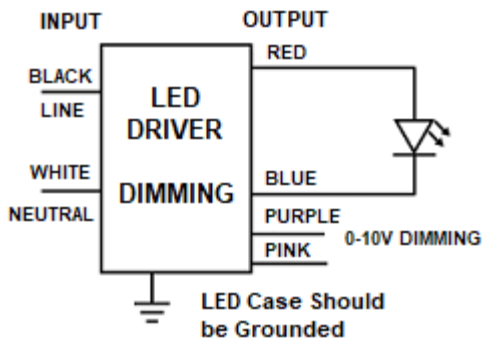
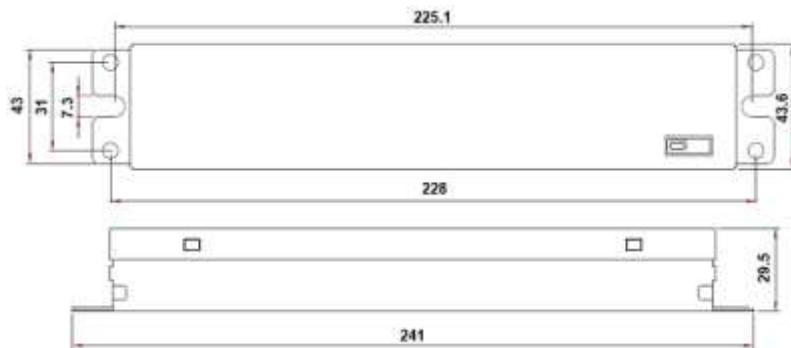
INPUT VOLTAGE	INPUT CURRENT	INPUT WATTS	OUTPUT POWER WATTS MAX	OUTPUT VOLTAGE	OUTPUT CURRENT AMPS	TYPICAL EFFICIENCY %	MODEL
120V-277V	0.45A – 0.19A	54	46	93 to 133V	0.35A	87	NU450D2C60WSDIM
120V-277V	0.61A – 0.26A	68	60		0.45A	89	

### LIMITED WARRANTY

5 YEAR at maximum case temperature 75 deg C. 3 YEAR at maximum case temperature 90 deg C. Manufacturer warrants to the purchaser: Product will be free from defects in material or workmanship from the date of manufacture conditioned upon proper storage, installation, use, and maintenance and conformance with any recommendations of Manufacturer

### Lead Length

Colour	inc	cm
Black	6	15.2
White	6	15.2
Blue	6	15.2
Red	6	15.2
Pink	7.1	18
Purple	7.1	18



### 0-10V Dimmer Compatibility Chart

LUTRON	LEVITON
NFTV	DS710-10Z
DVTV-WH	

### Case Size Series MU2

L	W	H	ML
241	43	29.5	226mm
9.5	1.7	1.2	8.9 inch

**WARNING:** Always Disconnect Power Before Handling. Case Should be Grounded. Install in Accordance with National and Local Electrical Codes

# LED DRIVER 20W 0-10V Dimming

Output Range 24V to 40V **Selectable** Multi Current **350mA to 500mA** Max **20W**

Universal Voltage 120-277V Electronic **Selectable** Multi Current 350mA to 500mA LED Driver 0-10V Dimming. Output Range of 24V to 40V for Single circuit 20W maximum.

## Technical Specification:

Class 2 UL, CUL Recognized, ROHS Compliant  
EMI FCC Part 15, Class A  
Rating: IP 65 Damp, Dry  
Output Open/Short Protection  
Min. Starting Temp: - 40° C  
Max. Case Temp: 90° C

Input Voltage range:  $\pm 10\%$   
Output Load range:  $\pm 5\%$   
Input Frequency: 50/60HZ  
THD: < 20%  
Power Factor Min: 0.95  
Remote Wiring Distance Full Load: 18AWG -18 ft

Case Size: Series C1U

Due to continuing efforts to offer improved products all specifications are subject to change without prior notice

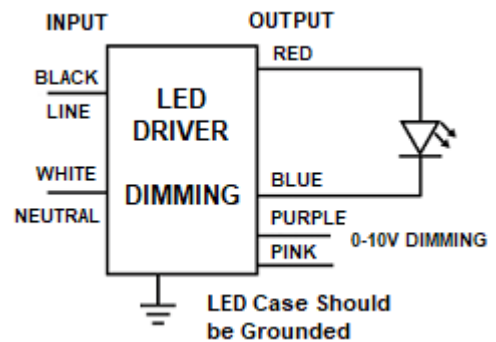
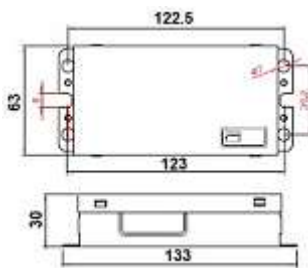
INPUT VOLTAGE	INPUT POWER WATTS MAX	INPUT CURRENT	OUTPUT WATTS	OUTPUT VOLTAGE	OUTPUT CURRENT AMPS	TYPICAL EFFICIENCY %	MODEL
120V-277V	17	0.15A - 0.06A	14	24 to 40V	0.35A	85	NU500D4C20WSD
120V-277V	19	0.16A - 0.07A	16	24 to 40V	0.40A	85	
120V-277V	21	0.18A - 0.08A	18	24 to 40V	0.45A	83	
120V-277V	23.5	0.27A - 0.11A	20	24 to 40V	0.50A	82	

### LIMITED WARRANTY

5 YEAR at maximum case temperature 75 deg C. 3 YEAR at maximum case temperature 90 deg C. Manufacturer warrants to the purchaser: Product will be free from defects in material or workmanship from the date of manufacture conditioned upon proper storage, installation, use, and maintenance and conformance with any recommendations of Manufacturer

### Lead Length

Colour	inc	cm
Black	6	15.2
White	6	15.2
Blue	6	15.2
Red	6	15.2
Pink	7.1	18
Purple	7.1	18



### 0-10V Dimmer Compatibility Chart

LUTRON	LEVITON
NFTV	DS710-10Z
DVTV-WH	

### Case Size Series C1U

L	W	H	ML
133	63	30	123mm
5.23	2.48	1.18	4.84inch

**WARNING:** Always Disconnect Power Before Handling. Case Should be Grounded. Install in Accordance with National and Local Electrical Codes

# LED DRIVER 42W 0-10V Dimming

Output Range 48V to 80V **Selectable** Multi Current **350mA to 520mA** Max **42W**

Universal Voltage 120-277V Electronic **Selectable** Multi Current 350mA to 520mA LED Driver 0-10V Dimming. Output Range of 48V to 80V for Single circuit 42W maximum.

## Technical Specification:

UL, CUL Recognized, ROHS Compliant  
 EMI FCC Part 15, Class A  
 Rating: IP 64 Damp, Dry  
 Output Open/Short Protection  
 Min. Starting Temp: - 40° C  
 Max. Case Temp: 90° C

Input Voltage range:  $\pm 10\%$   
 Output Load range  $\pm 5\%$   
 Input Frequency: 50/60HZ  
 THD: < 20%  
 Power Factor Min: 0.90  
 Remote Wiring Distance Full Load: 18AWG - 18 ft

Case Size: Series MU2

Due to continuing efforts to offer improved products all specifications are subject to change without prior notice

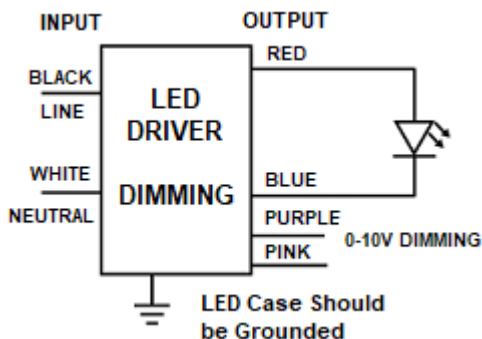
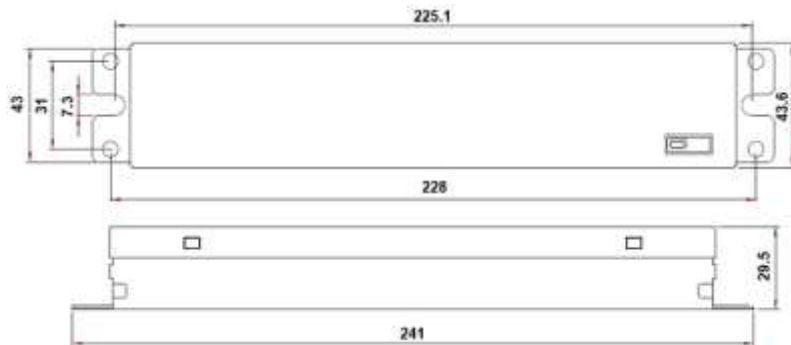
INPUT VOLTAGE	INPUT POWER WATTS MAX	INPUT CURRENT	OUTPUT WATTS	OUTPUT VOLTAGE	OUTPUT CURRENT AMPS	TYPICAL EFFICIENCY %	MODEL
120V-277V	34	0.28A - 0.13A	28	48 to 80V	0.35A	84	NU520D2C42WSD
	49	0.60A - 0.26A	42		0.52A	86	

### LIMITED WARRANTY

5 YEAR at maximum case temperature 75 deg C. 3 YEAR at maximum case temperature 90 deg C. Manufacturer warrants to the purchaser: Product will be free from defects in material or workmanship from the date of manufacture conditioned upon proper storage, installation, use, and maintenance and conformance with any recommendations of Manufacturer

### Lead Length

Colour	inc	cm
Black	6	15.2
White	6	15.2
Blue	6	15.2
Red	6	15.2
Pink	7.1	18
Purple	7.1	18



### 0-10V Dimmer Compatibility Chart

LUTRON	LEVITON
NFTV	DS710-10Z
DVTV-WH	

### Case Size Series MU2

L	W	H	ML
241	43	29.5	226mm
9.5	1.7	1.2	8.9 inch

**WARNING:** Always Disconnect Power Before Handling. Case Should be Grounded. Install in Accordance with National and Local Electrical Codes

# LED DRIVER 25W 0-10V Dimming

Output Range 25V to 41V **Selectable** Multi Current **310mA** to **620mA** Max **25W**

Universal Voltage 120-277V Electronic **Selectable** Multi Current 310mA to 620mA LED Driver 0-10V Dimming. Output Range between 25V to 41V for Single Output circuit 25W maximum.

## Technical Specification:

Class 2 CUL Recognized, ROHS Compliant  
 EMI FCC Part 15, Class A  
 Rating: IP 65 Damp, Dry  
 Output Open/Short Protection  
 Min. Starting Temp: - 40° C  
 Max. Case Temp: 90° C

Input Voltage range:  $\pm 10\%$   
 Output Load range:  $\pm 5\%$   
 Input Frequency: 50/60HZ  
 THD: < 20%  
 Power Factor Min: >0.90  
 Remote Wiring Distance Full Load: 18AWG -18 ft

Case Size: Series C1U

Due to continuing efforts to offer improved products all specifications are subject to change without prior notice 26/6/17

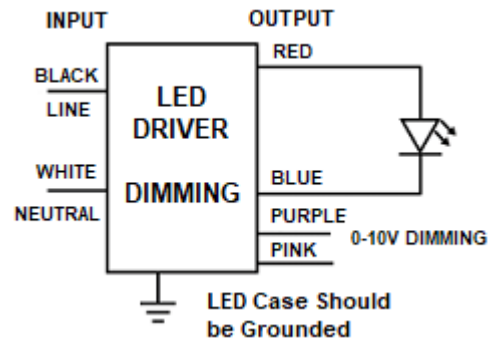
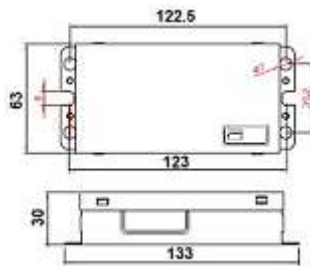
INPUT VOLTAGE	OUTPUT POWER WATTS MAX	INPUT CURRENT	INPUT WATTS	OUTPUT VOLTAGE	OUTPUT CURRENT AMPS	TYPICAL EFFICIENCY %	MODEL
120V-277V	13	0.14A - 0.06A	17	25 to 41V	0.31A	76	NU620D3C25WSDIM
	21	0.23A - 0.1A	28		0.5A	77	
	25	0.27A - 0.11A	32		0.62A	79	

### LIMITED WARRANTY

5 YEAR at maximum case temperature 75 deg C. 3 YEAR at maximum case temperature 90 deg C. Manufacturer warrants to the purchaser: Product will be free from defects in material or workmanship from the date of manufacture conditioned upon proper storage, installation, use, and maintenance and conformance with any recommendations of Manufacturer

### Lead Length

Colour	inc	cm
Black	6	15.2
White	6	15.2
Blue	6	15.2
Red	6	15.2
Pink	7.1	18
Purple	7.1	18



### 0-10V Dimmer Compatibility Chart

LUTRON	LEVITON
NFTV	DS710-10Z
DVTV-WH	

### Case Size Series C1U

L	W	H	ML
133	63	30	123mm
5.23	2.48	1.18	4.84inch

**WARNING:** Always Disconnect Power Before Handling. Case Should be Grounded. Install in Accordance with National and Local Electrical Codes



# LED DRIVER 33W 0-10V Dimming

Output Range 28V to 48V **Selectable** Multi Current **350mA** to **700mA** Max **33W**

Universal Voltage 120-277V Electronic **Selectable** Multi Current Range 350mA to 700 mA LED Driver 0-10V Dimming. Output Range of 28V to 48V for Single circuit 33W maximum.

## Technical Specification:

Class 2 CUL Recognized, ROHS Compliant  
 EMI FCC Part 15, Class A  
 Rating: IP 64 Damp, Dry  
 Output Open/Short Protection  
 Min. Starting Temp: - 40° C  
 Max. Case Temp: 90° C

Input Voltage range:  $\pm 10\%$   
 Output Load range  $\pm 5\%$   
 Input Frequency: 50/60HZ  
 THD: < 20%  
 Power Factor Min: 0.90  
 Remote Wiring Distance Full Load: 18AWG -18 ft

**Case Size: Series MU2**

Due to continuing efforts to offer improved products all specifications are subject to change without prior notice

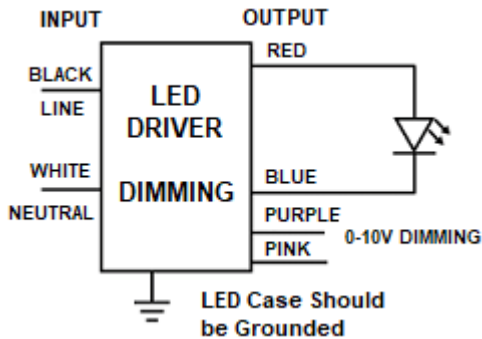
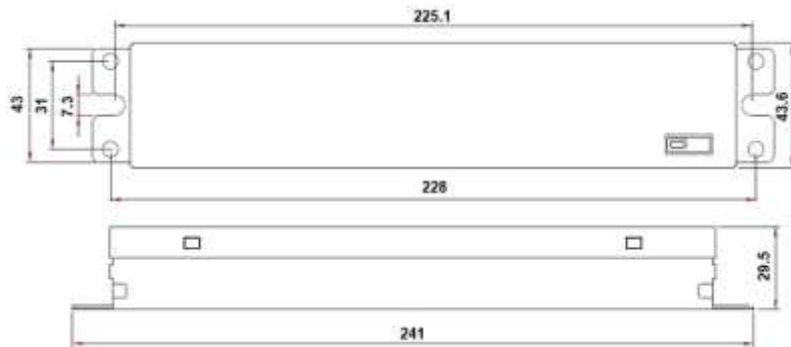
INPUT VOLTAGE	INPUT CURRENT	INPUT WATTS	OUTPUT POWER WATTS MAX	OUTPUT VOLTAGE	OUTPUT CURRENT AMPS	TYPICAL EFFICIENCY %	MODEL
120V-277V	0.1A - 0.21A	20	17	28 to 48V	0.35A	84	NU700D2C33WSD
	0.19A - 0.44A	38	33		0.7A	86	

### LIMITED WARRANTY

5 YEAR at maximum case temperature 75 deg C. 3 YEAR at maximum case temperature 90 deg C. Manufacturer warrants to the purchaser: Product will be free from defects in material or workmanship from the date of manufacture conditioned upon proper storage, installation, use, and maintenance and conformance with any recommendations of Manufacturer

### Lead Length

Colour	inc	cm
Black	6	15.2
White	6	15.2
Blue	6	15.2
Red	6	15.2
Pink	7.1	18
Purple	7.1	18



### 0-10V Dimmer Compatibility Chart

LUTRON	LEVITON
NFTV	DS710-10Z
DVTV-WH	

### Case Size Series MU2

L	W	H	ML
241	43	29.5	226mm
9.5	1.7	1.2	8.9 inch

**WARNING:** Always Disconnect Power Before Handling. Case Should be Grounded. Install in Accordance with National and Local Electrical Codes

# LED DRIVER 42W 0-10V Dimming

Output Range 36V to 60V **Selectable** Multi Current 350mA to 700mA Max 42W

Universal Voltage 120-277V Electronic **Selectable** Multi Current Range 350mA to 700 mA LED Driver 0-10V Dimming. Output Range of 36V to 60V for Single circuit 42W maximum.

## Technical Specification:

Class 2 UL, CUL LVLE, ROHS Compliant  
 EMI FCC Part 15, Class A  
 Rating: IP 64 Damp, Dry  
 Output Open/Short Protection  
 Min. Starting Temp: - 40° C  
 Max. Case Temp: 90° C

Input Voltage range:  $\pm 10\%$   
 Output Load range:  $\pm 5\%$   
 Input Frequency: 50/60HZ  
 THD: < 20%  
 Power Factor Min: 0.90  
 Remote Wiring Distance Full Load: 18AWG -18 ft

Case Size: Series MU2

Due to continuing efforts to offer improved products all specifications are subject to change without prior notice

2/2/17

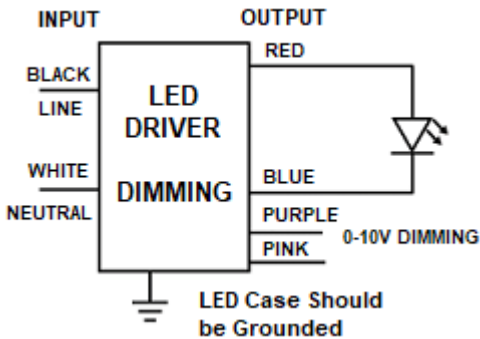
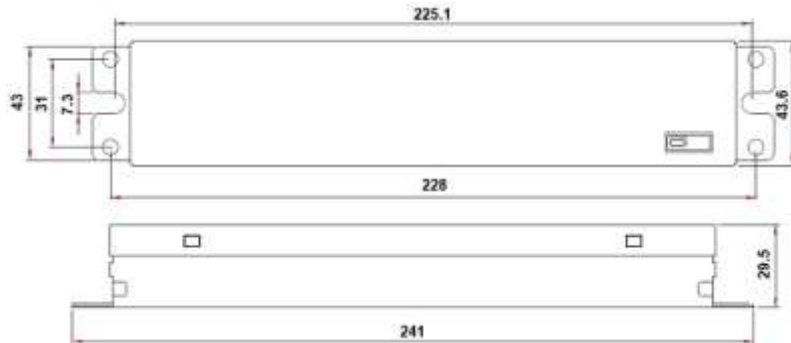
INPUT VOLTAGE	INPUT CURRENT	INPUT WATTS	OUTPUT POWER WATTS MAX	OUTPUT VOLTAGE	OUTPUT CURRENT AMPS	TYPICAL EFFICIENCY %	MODEL
120V-277V	0.22A - 0.09A	26	21	36V - 60V	0.35A	87	NU700D4C42WRSDIM
120V-277V	0.25A - 0.11A	30	24	36V - 60V	0.41A	87	
120V-277V	0.33A - 0.14A	38	31	36V - 60V	0.53A	87	
120V-277V	0.4A - 0.175A	47	42	36V - 60V	0.7A	89	

### LIMITED WARRANTY

5 YEAR at maximum case temperature 75 deg C. 3 YEAR at maximum case temperature 90 deg C. Manufacturer warrants to the purchaser: Product will be free from defects in material or workmanship from the date of manufacture conditioned upon proper storage, installation, use, and maintenance and conformance with any recommendations of Manufacturer

### Lead Length

Colour	inc	cm
Black	6	15.2
White	6	15.2
Blue	6	15.2
Red	6	15.2
Pink	7.1	18
Purple	7.1	18



### 0-10V Dimmer Compatibility Chart

LUTRON	LEVITON
NFTV	DS710-10Z
DVTV-WH	

### Case Size Series MU2

L	W	H	ML
241	43	29.5	226mm
9.5	1.7	1.2	8.9 inch

**WARNING:** Always Disconnect Power Before Handling. Case Should be Grounded. Install in Accordance with National and Local Electrical Codes

# LED DRIVER 60W 0-10V Dimming

Output Range 52V to 86V **Selectable** Multi Current **350mA to 700mA** Max **60W**

Universal Voltage 120-277V Electronic **Selectable** Multi Current 350mA to 700mA LED Driver 0-10V Dimming. Output Range of 52V to 86V for Single circuit 60W maximum.

## Technical Specification:

UL, CUL Recognized, ROHS Compliant  
 EMI FCC Part 15, Class A  
 Rating: IP 64 Damp, Dry  
 Output Open/Short Protection  
 Min. Starting Temp: -40° C  
 Max. Case Temp: 90° C

Input Voltage range:  $\pm 10\%$   
 Output Load range  $\pm 5\%$   
 Input Frequency: 50/60HZ  
 THD: < 20%  
 Power Factor Min: 0.90  
 Remote Wiring Distance Full Load: 18AWG -18 ft

**Case Size: Series MU2**

Due to continuing efforts to offer improved products all specifications are subject to change without prior notice

3/9/22

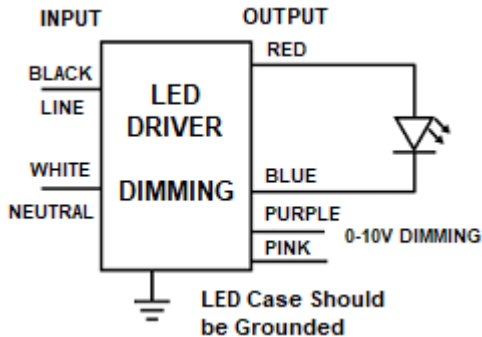
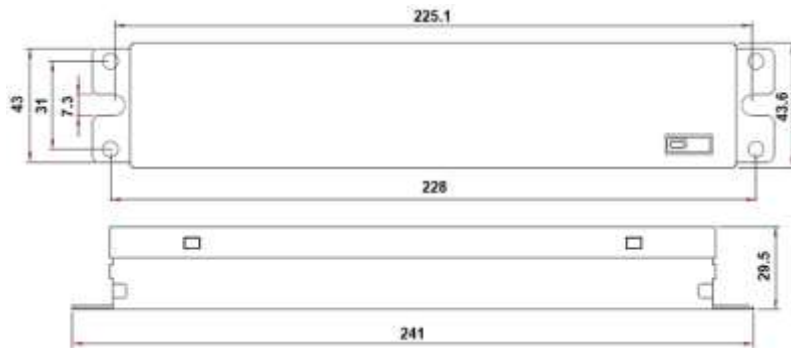
INPUT VOLTAGE	INPUT POWER WATTS MAX	INPUT CURRENT	OUTPUT WATTS	OUTPUT VOLTAGE	OUTPUT CURRENT AMPS	TYPICAL EFFICIENCY %	MODEL
120V-277V	36	0.30A - 0.13A	30	52 to 86V	0.35A	85	NU700D4C60WSDIM
120V-277V	45	0.35A - 0.15A	39	52 to 86V	0.45A	86	
120V-277V	56	0.42A - 0.18A	47	52 to 86V	0.55A	87	
120V-277V	68	0.60A - 0.25A	60	52 to 86V	0.70A	88	

### LIMITED WARRANTY

5 YEAR at maximum case temperature 75 deg C. 3 YEAR at maximum case temperature 90 deg C. Manufacturer warrants to the purchaser: Product will be free from defects in material or workmanship from the date of manufacture conditioned upon proper storage, installation, use, and maintenance and conformance with any recommendations of Manufacturer

### Lead Length

Colour	inc	cm
Black	6	15.2
White	6	15.2
Blue	6	15.2
Red	6	15.2
Pink	7.1	18
Purple	7.1	18



### 0-10V Dimmer Compatibility Chart

LUTRON	LEVITON
NFTV	DS710-10Z
DVTV-WH	

### Case Size Series MU2

L	W	H	ML
241	43	29.5	226mm
9.5	1.7	1.2	8.9 inch

**WARNING:** Always Disconnect Power Before Handling. Case Should be Grounded. Install in Accordance with National and Local Electrical Codes

# LED DRIVER 75W 0-10V Dimming

Output Range 64V to 107V **Selectable** Multi Current **350mA** to **700mA** Max **75W**

Universal Voltage 120-277V Electronic **Selectable** Multi Current Range 350mA to 700mA LED Driver 0-10V Dimming. Output Range of 64V to 107V for Single Output circuit 75W maximum.

## Technical Specification:

UL, CUL Recognized, ROHS Compliant  
 EMI FCC Part 15, Class A  
 Rating: IP 64 Damp, Dry  
 Output Open/Short Protection  
 Min. Starting Temp: - 40° C  
 Max. Case Temp: 90° C

Input Voltage range:  $\pm 10\%$   
 Output Load range  $\pm 5\%$   
 Input Frequency: 50/60HZ  
 THD: < 20%  
 Power Factor Min: 0.90  
 Remote Wiring Distance Full Load: 18AWG -18 ft

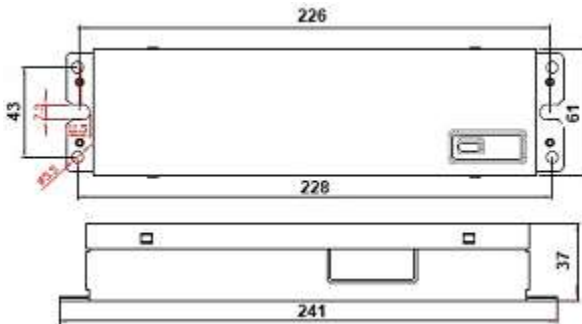
Case Size: Series FS3

Due to continuing efforts to offer improved products all specifications are subject to change without prior notice

INPUT VOLTAGE	OUTPUT POWER WATTS MAX	INPUT CURRENT	INPUT WATTS	OUTPUT VOLTAGE	OUTPUT CURRENT AMPS	TYPICAL EFFICIENCY %	MODEL
120V-277V	37	0.37A – 0.16A	44	64 to 107V	0.35A	85	NU700D3C75WSD
120V-277V	59	0.58A – 0.25A	69	64 to 107V	0.55A	86	
120V-277V	75	0.68A – 0.3A	85	64 to 107V	0.7A	88	

### LIMITED WARRANTY

5 YEAR at maximum case temperature 75 deg C. 3 YEAR at maximum case temperature 90 deg C. Manufacturer warrants to the purchaser: Product will be free from defects in material or workmanship from the date of manufacture conditioned upon proper storage, installation, use, and maintenance and conformance with any recommendations of Manufacturer



0-10V Dimmer Compatibility Chart

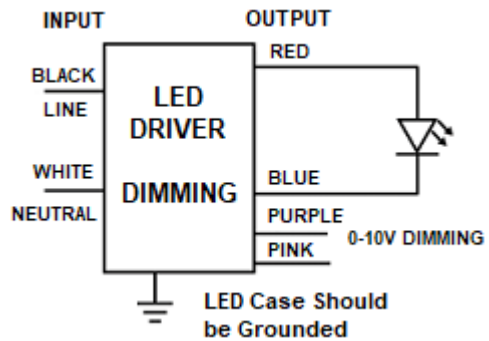
Lead Length

Colour	inc	cm
Black	6	15.2
White	6	15.2
Blue	6	15.2
Red	6	15.2
Pink	7.1	18
Purple	7.1	18

LUTRON	LEVITON
NFTV	DS710-10Z
DVTV-WH	

Case Size Series FS3

L	W	H	ML
241	61	37	226mm
9.5	2.4	1.46	8.9inch



**WARNING:** Always Disconnect Power Before Handling. Case Should be Grounded. Install in Accordance with National and Local Electrical Codes

# LED DRIVER 150W 0-10V Dimming

Output Range 128V to 214V **Selectable** Multi Current **350mA to 700mA** Max 150W

Universal Voltage 120-277V Electronic **Selectable** Multi Current Range 350mA to 700mA LED Driver 0-10V Dimming. Output Range of 128V to 214V for Single circuit 150W maximum.

## Technical Specification:

UL, CUL Recognized, ROHS Compliant  
 EMI FCC Part 15, Class A  
 Rating: IP 64 Damp, Dry  
 Output Open/Short Protection  
 Min. Starting Temp: - 40° C  
 Max. Case Temp: 90° C

Input Voltage range:  $\pm 10\%$   
 Output Load range  $\pm 5\%$   
 Input Frequency: 50/60HZ  
 THD: < 20%  
 Power Factor Min: 0.90  
 Remote Mounting Distance: 18AWG -18 ft

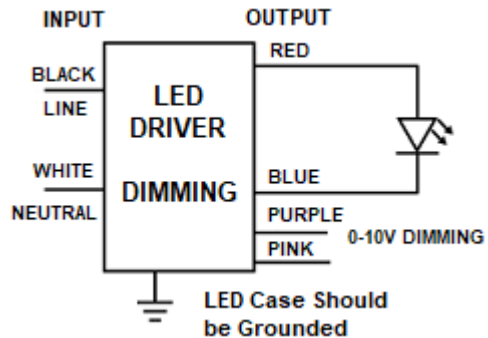
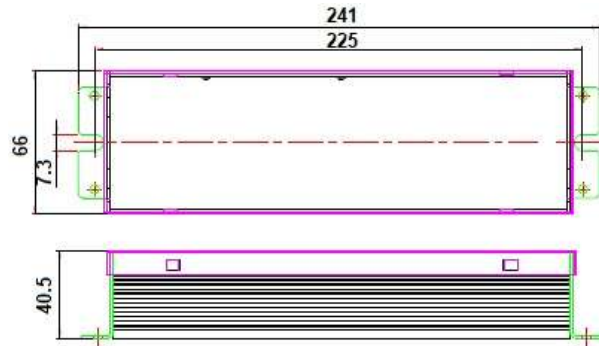
Case Size: Series FS5

Due to continuing efforts to offer improved products all specifications are subject to change without prior notice 1/3/18

INPUT VOLTAGE	INPUT WATTS	INPUT CURRENT	OUTPUT VOLTAGE	OUTPUT POWER WATTS MAX	OUTPUT CURRENT AMPS	TYPICAL EFFICIENCY %	MODEL
120V-277V	83	0.71A - 0.31A	128 to 214V	74	0.35A	89	NU700D3C150WSDIM
	125	1.1A - 0.47A		113	0.53A	90	
	165	1.45A - 0.64A		150	0.7A	91	

### LIMITED WARRANTY

5 YEAR at maximum case temperature 75 deg C. 3 YEAR at maximum case temperature 90 deg C. Manufacturer warrants to the purchaser: Product will be free from defects in material or workmanship from the date of manufacture conditioned upon proper storage, installation, use, and maintenance and conformance with any recommendations of Manufacturer



### Lead Length

Colour	inc	cm
Black	6	15.2
White	6	15.2
Blue	6	15.2
Red	6	15.2
Pink	7.1	18
Purple	7.1	18

### 0-10V Dimmer Compatibility Chart

LUTRON	LEVITON
NFTV	DS710-10Z
DVTV-WH	

### Case Size Series FS5

L	W	H	ML
241	66	40.5	226mm
9.5	2.6	1.6	8.9inch

**WARNING:** Always Disconnect Power Before Handling. Case Should be Grounded. Install in Accordance with National and Local Electrical Codes

# LED DRIVER 34W 0-10V Dimming

Output Range 22V to 38V **Selectable** Multi Current **500mA to 900mA** Max 34W  
Small Case Size with leads

Universal Voltage 120-277V Electronic **Selectable** Multi Current 500mA to 900mA LED Driver 0-10V Dimming. Output Range of 22V to 38V for Single circuit 34W maximum.

## Technical Specification:

Class 2 UL, CUL Recognized, ROHS Compliant  
EMI FCC Part 15, Class A  
Rating: IP 64 Damp, Dry  
Output Open/Short Protection  
Min. Starting Temp: -40° C  
Max. Case Temp: 90° C

Input Voltage range:  $\pm 10\%$   
Output Load range:  $\pm 5\%$   
Input Frequency: 50/60HZ  
THD: < 20%  
Power Factor Min: 0.90  
Remote Wiring Distance Full Load: 18AWG -18 ft

**Case Size: Series MU2**

Due to continuing efforts to offer improved products all specifications are subject to change without prior notice 1/9/15

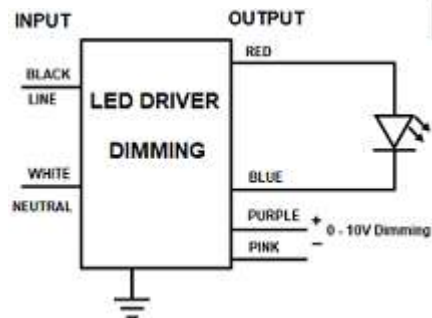
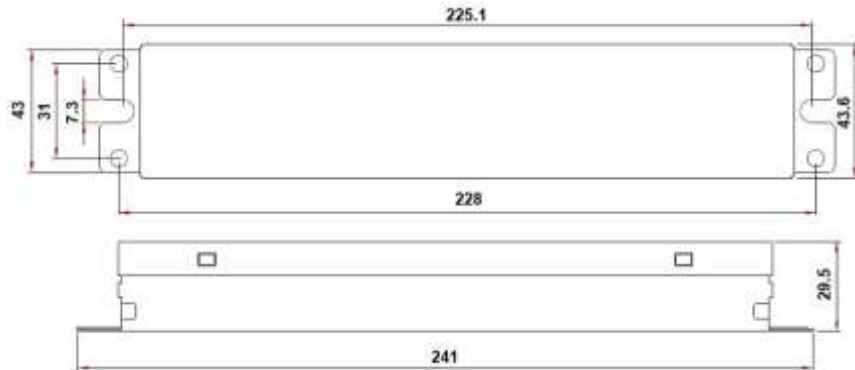
INPUT VOLTAGE	OUTPUT POWER WATTS MAX	INPUT CURRENT	INPUT WATTS	OUTPUT VOLTAGE	OUTPUT CURRENT AMPS	TYPICAL EFFICIENCY %	MODEL
120 - 277	19	0.19A - 0.08A	23	22 to 38V	0.5A	84	<b>NU900D3C34WRSDIM</b>
120 - 277	26	0.26A - 0.11A	31		0.7A	85	
120 - 277	34	0.40A - 0.17A	41		0.9A	86	

### LIMITED WARRANTY

5 YEAR at maximum case temperature 75 deg C. 3 YEAR at maximum case temperature 90 deg C. Manufacturer warrants to the purchaser: Product will be free from defects in material or workmanship from the date of manufacture conditioned upon proper storage, installation, use, and maintenance and conformance with any recommendations of Manufacturer

**Lead Length**

Colour	inc	cm
Black	6	15.2
White	6	15.2
Blue	6	15.2
Red	6	15.2
Pink	7.1	18
Purple	7.1	18



### 0-10V Dimmer Compatibility Chart

LUTRON	LEVITON
NFTV	DS710-10Z
DVTV-WH	

### Case Size Series MU2

L	W	H	ML
241	43	29.5	226mm
9.5	1.7	1.2	8.9 inch

**WARNING: Always Disconnect Power Before Handling. Case Should be Grounded. Install in Accordance with National and Local Electrical Codes.**

# LED DRIVER Single Output Circuit 0-10V Dimming

Output Range 29V to 48V **Selectable** Multi Current 500mA to 1000mA Max 48W  
Small Case with Leads

Universal Voltage 120-277V Electronic **Selectable** Multi Current LED Driver 0-10V Dimming.  
Output Range of 29V to 48V for Single circuit 48W maximum.

## Technical Specification:

Class 2 UL, CUL Recognized, ROHS Compliant  
EMI FCC Part 15, Class A  
Rating: IP 64 Damp, Dry  
Output Open/Short Protection  
Min. Starting Temp: - 40° C  
Max. Case Temp: 90° C

Input Voltage range:  $\pm 10\%$   
Output Load range  $\pm 5\%$   
THD: < 20%  
Input Frequency: 50/60HZ  
Power Factor Min: 0.90  
Remote Wiring Distance Full Load: 18AWG - 18 ft

Case Size: Series C4S

Due to continuing efforts to offer improved products all specifications are subject to change without prior notice

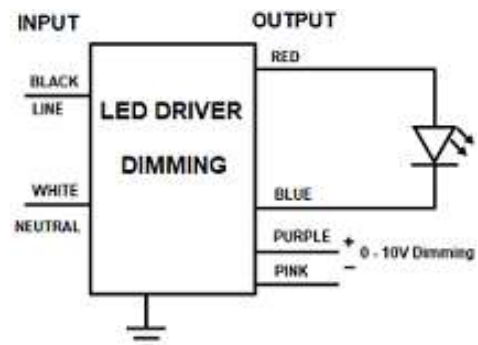
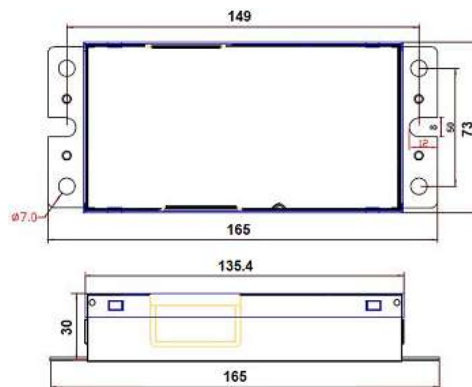
INPUT VOLTAGE	INPUT CURRENT	INPUT WATTS	OUTPUT POWER WATTS MAX	OUTPUT VOLTAGE	OUTPUT CURRENT AMPS	TYPICAL EFFICIENCY %	MODEL
120V-277V	0.24A - 0.1A	28	24	29 to 48V	0.5A	85	NU1000D2C48WSD
120V-277V	0.50A - 0.22A	56	48	29 to 48V	1.0A	86	

### LIMITED WARRANTY

5 YEAR at maximum case temperature 75 deg C. 3 YEAR at maximum case temperature 90 deg C. Manufacturer warrants to the purchaser: Product will be free from defects in material or workmanship from the date of manufacture conditioned upon proper storage, installation, use, and maintenance and conformance with any recommendations of Manufacturer

### Lead Length

Colour	inch	cm
Black	6	15.2
White	6	15.2
Blue	6	15.2
Red	6	15.2
Gray	6	15.2
Purple	6	15.2



### 0-10V Dimmer Compatibility Chart

LUTRON	LEVITON
NFTV	DS710-10Z
DVTV-WH	

### Case Size Series C4S

L	W	H	ML
165	73	30	149mm
6.5	2.87	1.18	5.9inch

**WARNING:** Always Disconnect Power Before Handling. Case Should be Grounded. Install in Accordance with National and Local Electrical Codes

# LED DRIVER 107W 0-10V Dimming

Output Range 64V to 107V **Selectable** Multi Current **500mA** to **1000mA** Max **107W**

Universal Voltage 120-277V Electronic Selectable Multi Current 500mA to 1000mA LED Driver 0-10V Dimming. Output Range of 64V to 107V for Single circuit 107W maximum.

## Technical Specification:

UL, CUL Recognized, ROHS Compliant  
 EMI FCC Part 15, Class A  
 Rating: IP 64 Damp, Dry  
 Output Open/Short Protection  
 Min. Starting Temp: - 40° C  
 Max. Case Temp: 90° C

Input Voltage range:  $\pm 10\%$   
 Output Load range  $\pm 5\%$   
 Input Frequency: 50/60HZ  
 THD: < 20%  
 Power Factor Min: 0.90  
 Remote Wiring Distance Full Load: 18AWG -18 ft

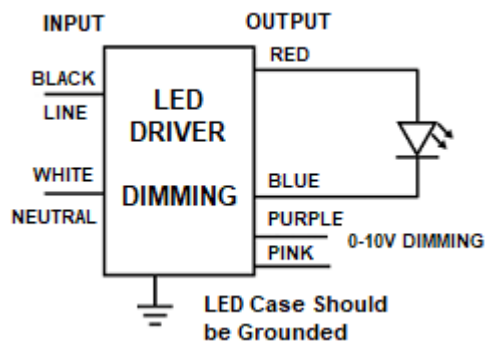
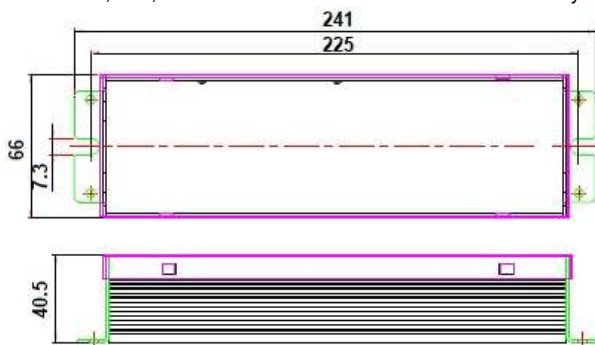
**Case Size: Series FS5**

Due to continuing efforts to offer improved products all specifications are subject to change without prior notice

INPUT VOLTAGE	INPUT CURRENT	INPUT WATTS	OUTPUT POWER WATTS MAX	OUTPUT VOLTAGE	OUTPUT CURRENT AMPS	TYPICAL EFFICIENCY %	MODEL
120V-277V	0.25A - 0.57A	68	54	64 to 107V	0.5A	80	NU1000D4C107WSD
	0.82A - 0.36A	98	80		0.75A	82	
	0.93A - 0.40A	111	93.6		0.875A	84	
	1.45A - 0.36A	125	107		1.0A	86	

### LIMITED WARRANTY

5 YEAR at maximum case temperature 75 deg C. 3 YEAR at maximum case temperature 90 deg C. Manufacturer warrants to the purchaser: Product will be free from defects in material or workmanship from the date of manufacture conditioned upon proper storage, installation, use, and maintenance and conformance with any recommendations of Manufacturer



### Lead Length

Colour	inc	cm
Black	6	15.2
White	6	15.2
Blue	6	15.2
Red	6	15.2
Pink	7.1	18
Purple	7.1	18

### 0-10V Dimmer Compatibility Chart

LUTRON	LEVITON
NFTV	DS710-10Z
DVTV-WH	

### Case Size Series FS5

L	W	H	ML
241	66	40.5	226mm
9.5	2.6	1.6	8.9inch

**WARNING:** Always Disconnect Power Before Handling. Case Should be Grounded. Install in Accordance with National and Local Electrical Codes



# LED DRIVER 60W 0-10V Dimming

Output Range 37V to 57V **Selectable** Multi Current **500mA to 1050mA** Max **60W**

Universal Voltage 120-277V Electronic **Selectable** Multi Current 500mA to 1050mA LED Driver 0-10V Dimming. Output Range of 37V to 57V for Single circuit 60W maximum.

## Technical Specification:

Class 2 UL, CUL LVLE, ROHS Compliant  
 EMI FCC Part 15, Class A  
 Rating: IP 64 Damp, Dry  
 Output Open/Short Protection  
 Min. Starting Temp: -40° C  
 Max. Case Temp: 90° C

Input Voltage range:  $\pm 10\%$   
 Output Load range  $\pm 5\%$   
 Input Frequency: 50/60HZ  
 THD: < 20%  
 Power Factor Min: 0.90  
 Remote Wiring Distance Full Load: 18AWG -18 ft

**Case Size: Series MU2**

Due to continuing efforts to offer improved products all specifications are subject to change without prior notice 1/1/15

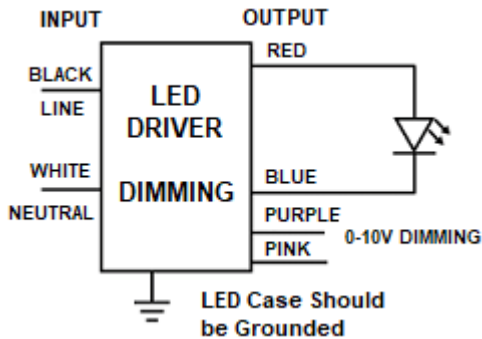
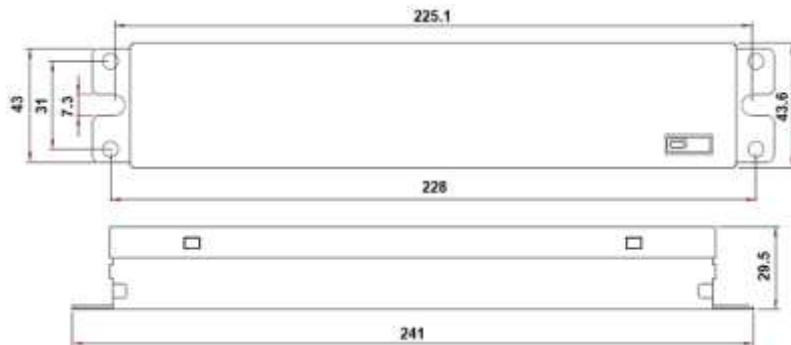
INPUT VOLTAGE	OUTPUT POWER WATTS MAX	INPUT CURRENT	INPUT WATTS	OUTPUT VOLTAGE	OUTPUT CURRENT AMPS	TYPICAL EFFICIENCY %	MODEL
120 - 277	29	0.3A – 0.13A	35	37 to 57V	0.50A	87	NU1050D3C60WSDIM
120 - 277	40	0.41A - 0.18A	49		0.70A	88	
120 - 277	60	0.6A – 0.26A	68		1.05A	89	

### LIMITED WARRANTY

5 YEAR at maximum case temperature 75 deg C. 3 YEAR at maximum case temperature 90 deg C. Manufacturer warrants to the purchaser: Product will be free from defects in material or workmanship from the date of manufacture conditioned upon proper storage, installation, use, and maintenance and conformance with any recommendations of Manufacturer

### Lead Length

Colour	inc	cm
Black	6	15.2
White	6	15.2
Blue	6	15.2
Red	6	15.2
Pink	7.1	18
Purple	7.1	18



### 0-10V Dimmer Compatibility Chart

LUTRON	LEVITON
NFTV	DS710-10Z
DVTV-WH	

### Case Size Series MU2

L	W	H	ML
241	43	29.5	226mm
9.5	1.7	1.2	8.9 inch

**WARNING:** Always Disconnect Power Before Handling. Case Should be Grounded. Install in Accordance with National and Local Electrical Codes

# LED DRIVER 112W 0-10V Dimming

Output Range 64V to 107V **Selectable** Multi Current **500mA to 1050mA** Max **112W**

Universal Voltage 120-277V Electronic Selectable Multi Current 500mA to 1050mA LED Driver 0-10V Dimming. Output Range of 64V to 107V for Single circuit 112W maximum.

## Technical Specification:

UL, CUL Recognized, ROHS Compliant  
 EMI FCC Part 15, Class A  
 Rating: IP 65 Damp, Dry  
 Output Open/Short Protection  
 Min. Starting Temp: - 40° C  
 Max. Case Temp: 90° C

Input Voltage range:  $\pm 10\%$   
 Output Load range  $\pm 5\%$   
 Input Frequency: 50/60HZ  
 THD: < 20%  
 Power Factor Min: 0.90  
 Remote Wiring Distance Full Load: 18AWG -18 ft

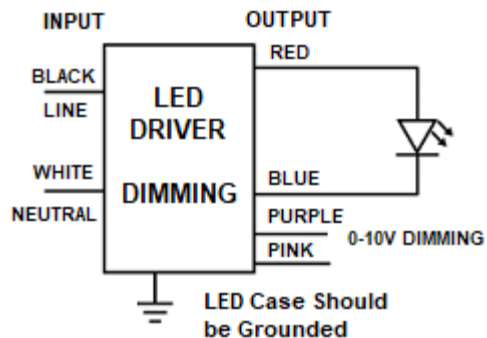
**Case Size: Series FS5**

Due to continuing efforts to offer improved products all specifications are subject to change without prior notice

INPUT VOLTAGE	INPUT CURRENT	INPUT WATTS	OUTPUT POWER WATTS MAX	OUTPUT VOLTAGE	OUTPUT CURRENT AMPS	TYPICAL EFFICIENCY %	MODEL
120V-277V	0.25A - 0.57A	68	54	64 to 107V	0.5A	80	NU1050D4C112WSD
	0.82A - 0.36A	98	80		0.75A	82	
	0.93A - 0.40A	111	93.6		0.875A	84	
	1.45A - 0.36A	130	112		1.05A	86	

### LIMITED WARRANTY

5 YEAR at maximum case temperature 75 deg C. 3 YEAR at maximum case temperature 90 deg C. Manufacturer warrants to the purchaser: Product will be free from defects in material or workmanship from the date of manufacture conditioned upon proper storage, installation, use, and maintenance and conformance with any recommendations of Manufacturer



### Lead Length

Colour	inc	cm
Black	6	15.2
White	6	15.2
Blue	6	15.2
Red	6	15.2
Pink	7.1	18
Purple	7.1	18

### 0-10V Dimmer Compatibility Chart

LUTRON	LEVITON
NFTV	DS710-10Z
DVTV-WH	

### Case Size Series FS5

L	W	H	ML
241	66	40.5	226mm
9.5	2.6	1.6	8.9inch

**WARNING:** Always Disconnect Power Before Handling. Case Should be Grounded. Install in Accordance with National and Local Electrical Codes

# LED DRIVER 52W 0-10V Dimming

Output Range 25V to 42V **Selectable** Multi Current **620mA** to **1200mA** Max **52W**

Universal Voltage 120-277V Electronic **Selectable** Multi Current Range 0.62A to 1.24A LED Driver. 0-10V Dimming. Output Range of 25V to 42V for Single circuit 52W maximum.

## Technical Specification:

Class 2 UL, CUL Recognized, ROHS Compliant  
 EMI FCC Part 15, Class A  
 Rating: IP 64 Damp, Dry  
 Output Open/Short Protection  
 Min. Starting Temp: - 40° C  
 Max. Case Temp: 90° C

Input Voltage range:  $\pm 10\%$   
 Output Load range  $\pm 5\%$   
 Input Frequency: 50/60HZ  
 THD: < 20%  
 Power Factor Min: 0.90  
 Remote Wiring Distance Full Load: 18AWG -18 ft

Case Size: Series MU2

Due to continuing efforts to offer improved products all specifications are subject to change without prior notice

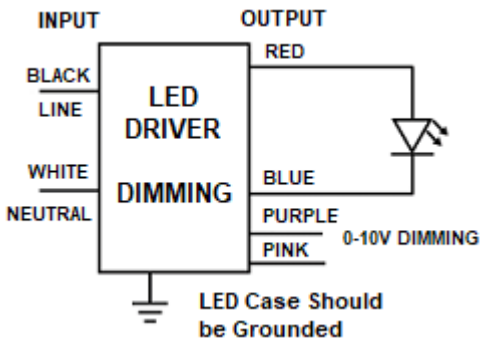
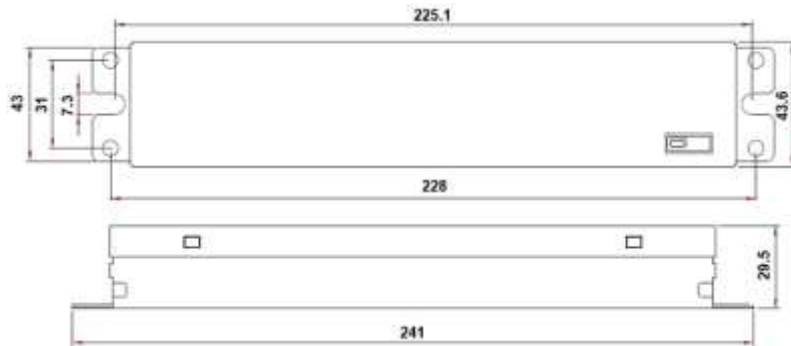
INPUT VOLTAGE	OUTPUT POWER WATTS MAX	INPUT CURRENT	INPUT WATTS	OUTPUT VOLTAGE	OUTPUT CURRENT AMPS	TYPICAL EFFICIENCY %	MODEL
120V-277V	26	0.28A - 0.12A	34	25 to 42V	0.62A	78	NU1240D3C52WSD
	43	0.46A - 0.2A	55		1.02A	79	
	52	0.54 - 0.24A	65		1.24A	80	

### LIMITED WARRANTY

5 YEAR at maximum case temperature 75 deg C. 3 YEAR at maximum case temperature 90 deg C. Manufacturer warrants to the purchaser: Product will be free from defects in material or workmanship from the date of manufacture conditioned upon proper storage, installation, use, and maintenance and conformance with any recommendations of Manufacturer

### Lead Length

Colour	inc	cm
Black	6	15.2
White	6	15.2
Blue	6	15.2
Red	6	15.2
Pink	7.1	18
Purple	7.1	18



### 0-10V Dimmer Compatibility Chart

LUTRON	LEVITON
NFTV	DS710-10Z
DVTV-WH	

### Case Size Series MU2

L	W	H	ML
241	43	29.5	226mm
9.5	1.7	1.2	8.9 inch

**WARNING:** Always Disconnect Power Before Handling. Case Should be Grounded. Install in Accordance with National and Local Electrical Codes

# LED DRIVER 76W 0-10V Dimming

Output Range 25V to 42V **Selectable** Multi Current **900mA** to **1800mA** Max **76W**

Universal Voltage 120-277V Electronic **Selectable** Multi Current LED Driver 0-10V Dimming. Output Range of 25V to 42V for Single circuit 76W maximum.

## Technical Specification:

UL, CUL Recognized, ROHS Compliant  
 EMI FCC Part 15, Class A  
 Rating: IP 64 Damp, Dry  
 Output Open/Short Protection  
 Min. Starting Temp: - 40° C  
 Max. Case Temp: 90° C

Input Voltage range:  $\pm 10\%$   
 Output Load range  $\pm 5\%$   
 Input Frequency: 50/60HZ  
 THD: < 20%  
 Power Factor Min: 0.90  
 Remote Wiring Distance Full Load: 18AWG -18 ft

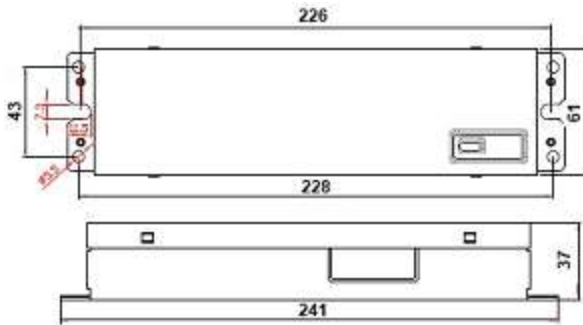
Case Size: Series FS3

Due to continuing efforts to offer improved products all specifications are subject to change without prior notice

INPUT VOLTAGE	INPUT CURRENT	INPUT WATTS	OUTPUT POWER WATTS MAX	OUTPUT VOLTAGE	OUTPUT CURRENT AMPS	TYPICAL EFFICIENCY %	MODEL
120V-277V	0.55A - 0.24A	44	38	25 to 42V	0.9A	85	NU1800D3C76WSD
	0.68A - 0.29A	65	56		1.34A	86	
	0.79A - 0.3A	86	76		1.8A	88	

### LIMITED WARRANTY

5 YEAR at maximum case temperature 75 deg C. 3 YEAR at maximum case temperature 90 deg C. Manufacturer warrants to the purchaser: Product will be free from defects in material or workmanship from the date of manufacture conditioned upon proper storage, installation, use, and maintenance and conformance with any recommendations of Manufacturer



### Lead Length

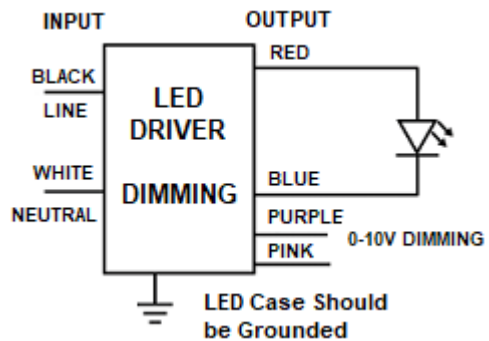
Colour	inc	cm
Black	6	15.2
White	6	15.2
Blue	6	15.2
Red	6	15.2
Pink	7.1	18
Purple	7.1	18

### 0-10V Dimmer Compatibility Chart

LUTRON	LEVITON
NFTV	DS710-10Z
DVTV-WH	

### Case Size Series FS3

L	W	H	ML
241	61	37	226mm
9.5	2.4	1.46	8.9inch



**WARNING:** Always Disconnect Power Before Handling. Case Should be Grounded. Install in Accordance with National and Local Electrical Codes

# LED DRIVER 60W 0-10V Dimming

Output Range 16V to 24V **Selectable** Multi Current **1700mA** to **2500mA** Max **60W**

Universal Voltage 120-277V Electronic **Selectable** Multi Current 1.7A to 2.5A LED Driver 0-10V Dimming. Output Range of 16V to 24V for Single circuit 60W maximum.

## Technical Specification:

Class 2 UL, CUL Recognized, ROHS Compliant  
 EMI FCC Part 15, Class A  
 Rating: IP 64 Damp, Dry  
 Output Open/Short Protection  
 Min. Starting Temp: - 40° C  
 Max. Case Temp: 90° C

Input Voltage range:  $\pm 10\%$   
 Output Load range  $\pm 5\%$   
 Input Frequency: 50/60HZ  
 THD: < 20%  
 Power Factor Min: 0.90  
 Remote Wiring Distance Full Load: 18AWG -18 ft

Case Size: Series MU2

Due to continuing efforts to offer improved products all specifications are subject to change without prior notice 3/2/21

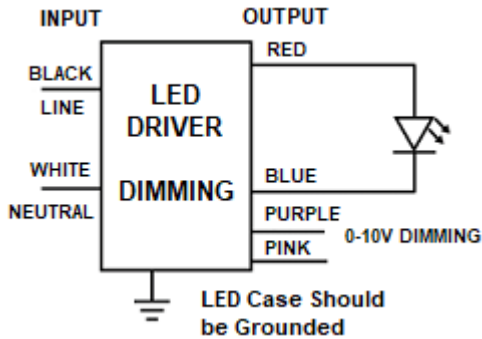
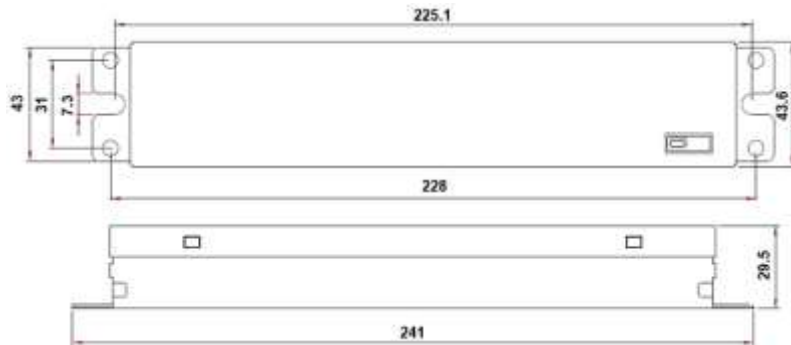
INPUT VOLTAGE	INPUT POWER WATTS MAX	INPUT CURRENT	OUTPUT WATTS	OUTPUT VOLTAGE	OUTPUT CURRENT AMPS	TYPICAL EFFICIENCY %	MODEL
120V-277V	50	0.42A - 0.18A	41	16 to 24V	1.7A	82	NU2500D4C60WSDIM
120V-277V	58	0.48A - 0.21A	48		2.0A	83	
120V-277V	65	0.54A - 0.23A	55		2.3A	84	
120V-277V	71	0.60A - 0.26A	60		2.5A	85	

### LIMITED WARRANTY

5 YEAR at maximum case temperature 75 deg C. 3 YEAR at maximum case temperature 90 deg C. Manufacturer warrants to the purchaser: Product will be free from defects in material or workmanship from the date of manufacture conditioned upon proper storage, installation, use, and maintenance and conformance with any recommendations of Manufacturer

### Lead Length

Colour	inc	cm
Black	6	15.2
White	6	15.2
Blue	6	15.2
Red	6	15.2
Pink	7.1	18
Purple	7.1	18



### 0-10V Dimmer Compatibility Chart

LUTRON	LEVITON
NFTV	DS710-10Z
DVTV-WH	

### Case Size Series MU2

L	W	H	ML
241	43	29.5	226mm
9.5	1.7	1.2	8.9 inch

**WARNING:** Always Disconnect Power Before Handling. Case Should be Grounded. Install in Accordance with National and Local Electrical Codes



# Sage

**347V**

## **Dimmable & Non-Dimmable Multi Channel LED Drivers**

Sage 347V Dimmable Multi Channel LED Drivers include a wide variety of Custom drivers with multiple Form factor and output values designed for a select group of OEM Fixture manufactures. These drivers provide flexibility for the Fixture Manufacturers to design and offer wide range of luminaires for the Canadian Market.

It is also easy to combine into common dimming systems accessible in commercial applications.

Output Current: from 350mA to 700mA





# 347V LED DRIVER **Dual Channel 30W** 0-10V Dimming

## Output 20V to 33V Dual Channel Constant Current **450mA** Max **30W**

347V Electronic (2 x 15W) Dual Channel Constant Current 450mA LED Driver. 0-10V Dimming. Output Range of 20V to 33V. 30W maximum.

### Technical Specification:

Class 2 UL, CUL Recognized, ROHS Compliant  
 EMI FCC Part 15, Class A  
 Rating: IP 65 Damp, Dry  
 Output Open/Short Protection  
 Min. Starting Temp: - 40° C  
 Max. Case Temp: 90° C  
 Typical Efficiency: 83%

Input Voltage range:  $\pm 10\%$   
 Output Load range  $\pm 5\%$   
 Input Frequency: 50/60HZ  
 THD: < 20%  
 Power Factor Min: 0.90  
 Remote Wiring Distance Full Load: 18AWG -18 ft  
 2 Channel Output

**Case Size: Series MU2**

Due to continuing efforts to offer improved products all specifications are subject to change without prior notice 3/12/19

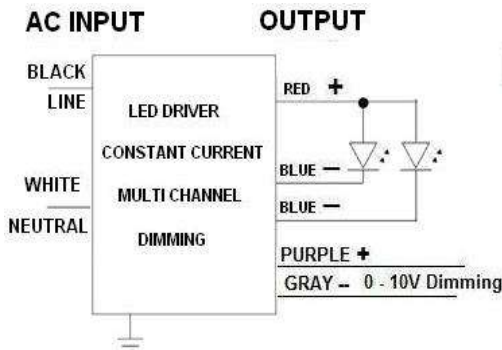
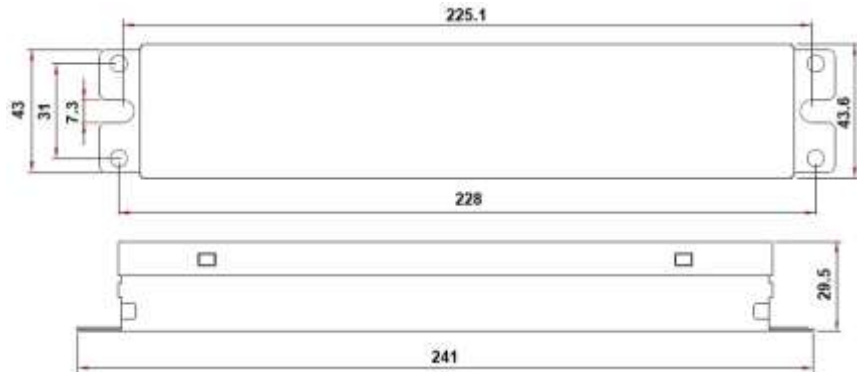
INPUT VOLTAGE	INPUT CURRENT AMPS	INPUT POWER WATTS	OUTPUT POWER WATTS	OUTPUT CURRENT AMPS	OUTPUT VOLTAGE	MODEL
347	0.11	36	30	0.45A	20 to 33V	<b>NC450C15WDLDIM</b>

#### LIMITED WARRANTY

5 YEAR at maximum case temperature 75 deg C. 3 YEAR at maximum case temperature 90 deg C. Manufacturer warrants to the purchaser: Product will be free from defects in material or workmanship from the date of manufacture conditioned upon proper storage, installation, use, and maintenance and conformance with any recommendations of Manufacturer

#### Lead Length

Colour	inc	cm
Black	6	15.2
White	6	15.2
Blue	6	15.2
Red	6	15.2
Pink	7.1	18
Purple	7.1	18



#### 0-10V Dimmer Compatibility Chart

LUTRON	LEVITON
NFTV	DS710-10Z
DVTV-WH	

#### Case Size Series MU2

L	W	H	ML
241	43	29.5	226mm
9.5	1.7	1.2	8.9 inch

**WARNING:** Always Disconnect Power Before Handling. Case Should be Grounded. Install in Accordance with National and Local Electrical Codes

# 347V LED DRIVER **Dual Channel 36W** 0-10V Dimming Output 24V to 40V Dual Channel Constant Current **450mA** Max **36W**

347V Electronic (2 x 18W) Dual Channel Constant Current 450mA LED Driver. 0-10V Dimming. Output Range of 24V to 40V. 36W maximum.

## Technical Specification:

Class 2 UL, CUL Recognized, ROHS Compliant  
EMI FCC Part 15, Class A  
Rating: IP 65 Damp, Dry  
Output Open/Short Protection  
Min. Starting Temp: -40° C  
Max. Case Temp: 90° C  
Typical Efficiency: 82%  
2 Channel Output

Input Voltage range:  $\pm 10\%$   
Output Load range:  $\pm 5\%$   
Input Frequency: 50/60HZ  
THD: < 20%  
Power Factor Min: 0.90  
Remote Wiring Distance Full Load: 18AWG -18 ft

Case Size: Series MU2

Due to continuing efforts to offer improved products all specifications are subject to change without prior notice

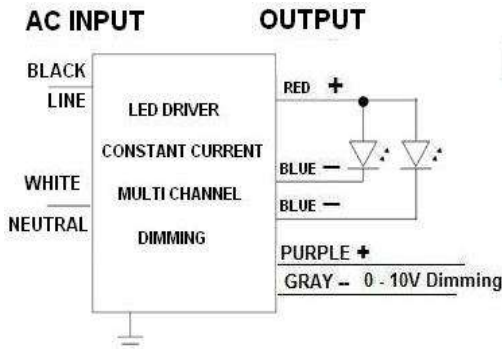
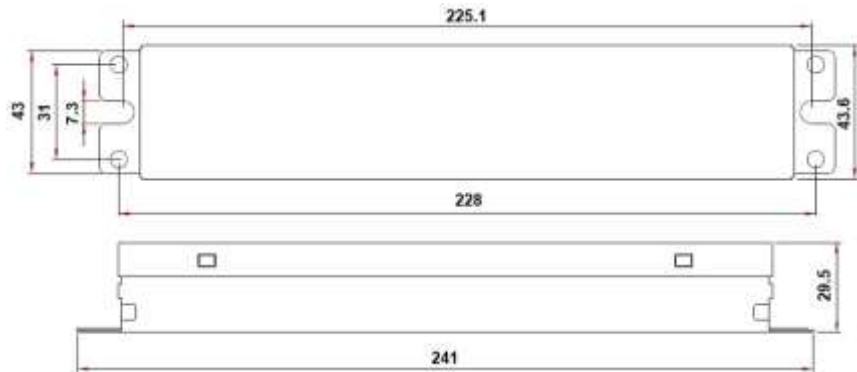
INPUT VOLTAGE	INPUT CURRENT AMPS	INPUT POWER WATTS	OUTPUT POWER WATTS	OUTPUT CURRENT AMPS	OUTPUT VOLTAGE	MODEL
347	0.11	44	36	0.45A	24 to 40V	NC450C18WDLDIM

### LIMITED WARRANTY

5 YEAR at maximum case temperature 75 deg C. 3 YEAR at maximum case temperature 90 deg C. Manufacturer warrants to the purchaser: Product will be free from defects in material or workmanship from the date of manufacture conditioned upon proper storage, installation, use, and maintenance and conformance with any recommendations of Manufacturer

### Lead Length

Colour	inc	cm
Black	6	15.2
White	6	15.2
Blue	6	15.2
Red	6	15.2
Pink	7.1	18
Purple	7.1	18



LED Case Should be Grounded

### 0-10V Dimmer Compatibility Chart

LUTRON	LEVITON
NFTV	DS710-10Z
DVTV-WH	

### Case Size Series MU2

L	W	H	ML
241	43	29.5	226mm
9.5	1.7	1.2	8.9 inch

**WARNING:** Always Disconnect Power Before Handling. Case Should be Grounded. Install in Accordance with National and Local Electrical Codes

# 347V LED DRIVER **Dual Channel 30W** 0-10V Dimming Output 20V to 33V Dual Channel Constant Current 450mA Max **30W**

347V Electronic (2 x 15W) Dual Channel Constant Current 450mA LED Driver. 0-10V Dimming. Output Range of 20V to 33V. 30W maximum.

## Technical Specification:

Class 2 UL, CUL Recognized, ROHS Compliant  
EMI FCC Part 15, Class A  
Rating: IP 65 Damp, Dry  
Output Open/Short Protection  
Min. Starting Temp: -40° C  
Max. Case Temp: 90° C  
Typical Efficiency: 83%

Input Voltage range:  $\pm 10\%$   
Output Load range:  $\pm 5\%$   
Input Frequency: 50/60HZ  
THD: < 20%  
Power Factor Min: 0.90  
Remote Wiring Distance Full Load: 18AWG -18 ft  
2 Channel Output

**Case Size: Series MU2**

Due to continuing efforts to offer improved products all specifications are subject to change without prior notice

3/12/19

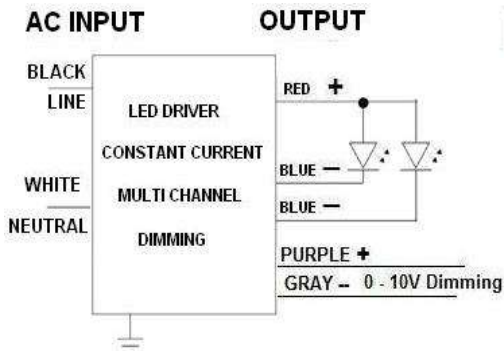
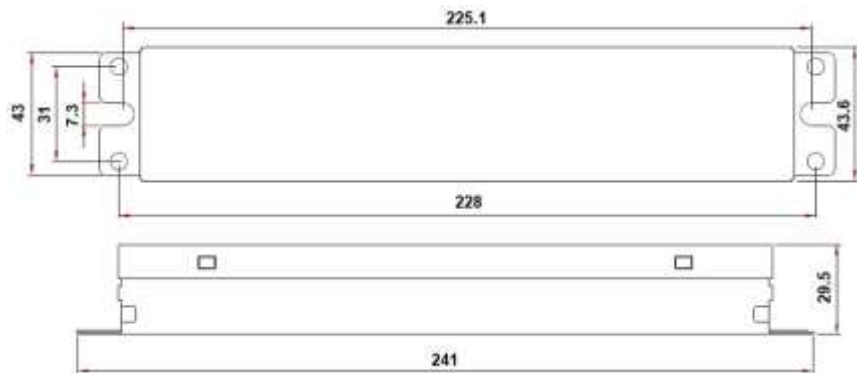
INPUT VOLTAGE	INPUT CURRENT AMPS	INPUT POWER WATTS	OUTPUT POWER WATTS	OUTPUT CURRENT AMPS	OUTPUT VOLTAGE	MODEL
347	0.11	36	30	0.45A	20 to 33V	<b>NC450C15WDLDIM</b>

### LIMITED WARRANTY

5 YEAR at maximum case temperature 75 deg C. 3 YEAR at maximum case temperature 90 deg C. Manufacturer warrants to the purchaser: Product will be free from defects in material or workmanship from the date of manufacture conditioned upon proper storage, installation, use, and maintenance and conformance with any recommendations of Manufacturer

### Lead Length

Colour	inc	cm
Black	6	15.2
White	6	15.2
Blue	6	15.2
Red	6	15.2
Pink	7.1	18
Purple	7.1	18



### 0-10V Dimmer Compatibility Chart

LUTRON	LEVITON
NFTV	DS710-10Z
DVTV-WH	

### Case Size Series MU2

L	W	H	ML
241	43	29.5	226mm
9.5	1.7	1.2	8.9 inch

**WARNING: Always Disconnect Power Before Handling. Case Should be Grounded. Install in Accordance with National and Local Electrical Codes.**

# 347V LED DRIVER **Multi Channel 60W** 0-10V Dimming

## Output 20V to 33V Multi Channel Constant Current **450mA** Max **60W**

347V Electronic (4 x 15W) Multi Channel Constant Current LED Driver. 0-10V Dimming. Output Range of 20V to 33V. 60W maximum.

### Technical Specification:

Class 2 UL, CUL Recognized, ROHS Compliant  
 EMI FCC Part 15, Class A  
 Rating: IP 65 Damp, Dry  
 Output Open/Short Protection  
 Min. Starting Temp: - 40° C  
 Max. Case Temp: 90° C  
 Typical Efficiency: 85%

Input Voltage range:  $\pm 10\%$   
 Output Load range  $\pm 5\%$   
 Input Frequency: 50/60HZ  
 THD: < 20%  
 Power Factor Min: 0.90  
 Remote Wiring Distance Full Load: 18AWG -18 ft  
 4 Channel Output

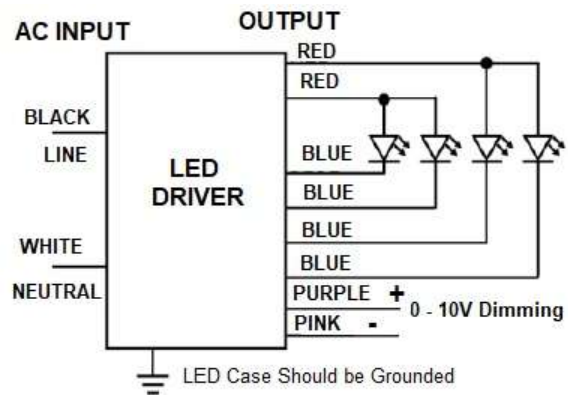
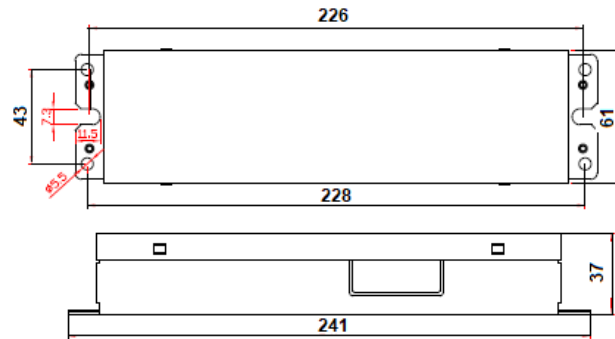
Case Size: Series FS3

Due to continuing efforts to offer improved products all specifications are subject to change without prior notice 2/6/15

INPUT VOLTAGE	INPUT CURRENT AMPS	INPUT POWER WATTS	OUTPUT POWER WATTS PER CHANNEL	OUTPUT POWER WATTS TOTAL	OUTPUT VOLTAGE	OUTPUT CURRENT	MODEL
347	0.21	72	15	60	20 to 33V	0.45A	NC450C15WQDIM

#### LIMITED WARRANTY

5 YEAR at maximum case temperature 75 deg C. 3 YEAR at maximum case temperature 90 deg C. Manufacturer warrants to the purchaser: Product will be free from defects in material or workmanship from the date of manufacture conditioned upon proper storage, installation, use, and maintenance and conformance with any recommendations of Manufacturer



#### Lead Length

Colour	inc	cm
Black	6	15.2
White	6	15.2
Blue	6	15.2
Red	6	15.2
Pink	7.1	18
Purple	7.1	18

#### 0-10V Dimmer Compatibility Chart

LUTRON	LEVITON
NFTV	DS710-10Z
DVTV-WH	

#### Case Size Series FS3

L	W	H	ML
241	61	37	226mm
9.5	2.4	1.46	8.9inch

**WARNING:** Always Disconnect Power Before Handling. Case Should be Grounded. Install in Accordance with National and Local Electrical Codes

# 347V LED DRIVER **Multi Channel** 72W 0-10V Dimming

## Output 24V to 40V Multi Channel Constant Current **450mA** Max **72W**

347V Electronic (4 x 18W) Multi Channel Constant Current 450mA LED Driver. 0-10V Dimming. Output Range of 24V to 40V. 72W maximum.

### Technical Specification:

Class 2 UL, CUL Recognized, ROHS Compliant  
 EMI FCC Part 15, Class A  
 Rating: IP 65 Damp, Dry  
 Output Open/Short Protection  
 Min. Starting Temp: - 40° C  
 Max. Case Temp: 90° C  
 Typical Efficiency: 85%

Input Voltage range:  $\pm 10\%$   
 Output Load range:  $\pm 5\%$   
 Input Frequency: 50/60HZ  
 THD: < 20%  
 Power Factor Min: 0.90  
 Remote Wiring Distance Full Load: 18AWG -18 ft  
 4 Channel Output

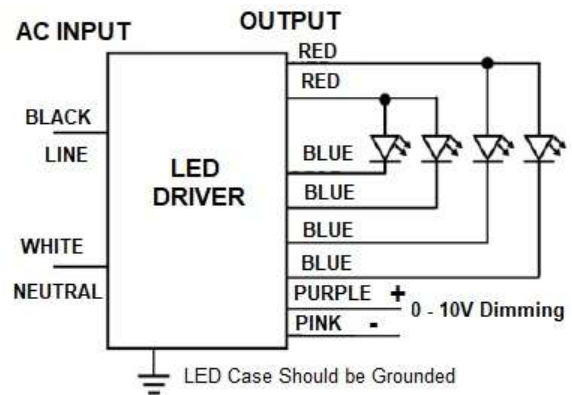
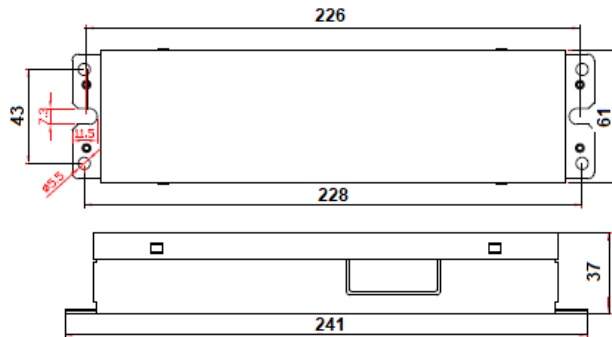
Case Size: Series FS3

Due to continuing efforts to offer improved products all specifications are subject to change without prior notice

INPUT VOLTAGE	INPUT CURRENT AMPS	INPUT POWER WATTS	OUTPUT POWER WATTS PER CHANNEL	OUTPUT POWER WATTS TOTAL	OUTPUT VOLTAGE	OUTPUT CURRENT AMPS	MODEL
347	0.27	85	18	72	24 to 40V	0.45A	NC450C18WQDIM

#### LIMITED WARRANTY

5 YEAR at maximum case temperature 75 deg C. 3 YEAR at maximum case temperature 90 deg C. Manufacturer warrants to the purchaser: Product will be free from defects in material or workmanship from the date of manufacture conditioned upon proper storage, installation, use, and maintenance and conformance with any recommendations of Manufacturer



#### Lead Length

Colour	inc	cm
Black	6	15.2
White	6	15.2
Blue	6	15.2
Red	6	15.2
Pink	7.1	18
Purple	7.1	18

#### 0-10V Dimmer Compatibility Chart

LUTRON	LEVITON
NFTV	DS710-10Z
DVTV-WH	

#### Case Size Series FS3

L	W	H	ML
241	61	37	226mm
9.5	2.4	1.46	8.9inch

**WARNING:** Always Disconnect Power Before Handling. Case Should be Grounded. Install in Accordance with National and Local Electrical Codes

# 347V LED DRIVER **Multi Channel 90W** 0-10V Dimming

## Output 25V to 42V Multi Channel Constant Current **700mA** Max **90W**

347V Electronic (3 x 30W) Multi Channel Constant Current 700mA LED Driver. 0-10V Dimming. Output Range of 25V to 42V. 90W maximum.

### Technical Specification:

Class 2 UL, CUL Recognized, ROHS Compliant  
 EMI FCC Part 15, Class A  
 Rating: IP 65 Damp, Dry  
 Output Open/Short Protection  
 Min. Starting Temp: - 40° C  
 Max. Case Temp: 90° C  
 Typical Efficiency: 86%

Input Voltage range:  $\pm 10\%$   
 Output Load range  $\pm 5\%$   
 Input Frequency: 50/60HZ  
 THD: < 20%  
 Power Factor Min: 0.90  
 Remote Wiring Distance Full Load: 18AWG -18 ft  
 3 Channel Output

Case Size: Series FS3

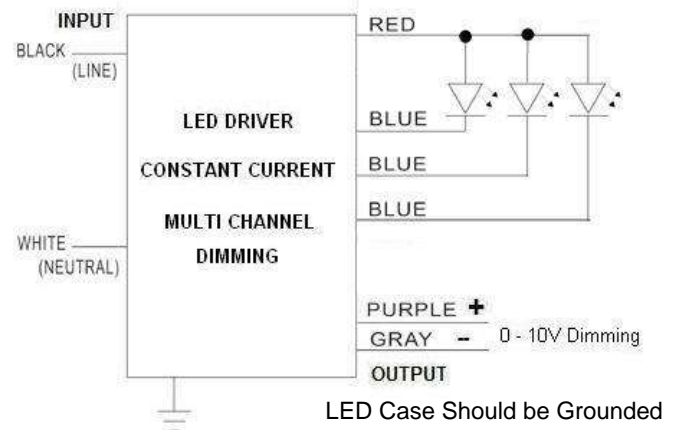
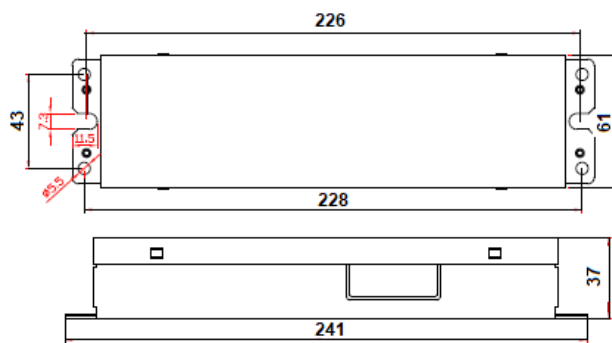
Due to continuing efforts to offer improved products all specifications are subject to change without prior notice

1/1/15

INPUT VOLTAGE	INPUT CURRENT AMPS	INPUT POWER WATTS	OUTPUT POWER WATTS	OUTPUT VOLTAGE	OUTPUT CURRENT AMPS	MODEL
347	0.31	105	90	25 to 42V	0.7A	<b>NC700C30WTDIM</b>

#### LIMITED WARRANTY

5 YEAR at maximum case temperature 75 deg C. 3 YEAR at maximum case temperature 90 deg C. Manufacturer warrants to the purchaser: Product will be free from defects in material or workmanship from the date of manufacture conditioned upon proper storage, installation, use, and maintenance and conformance with any recommendations of Manufacturer



#### Lead Length

Colour	inc	cm
Black	6	15.2
White	6	15.2
Blue	6	15.2
Red	6	15.2
Pink	7.1	18
Purple	7.1	18

#### 0-10V Dimmer Compatibility Chart

LUTRON	LEVITON
NFTV	DS710-10Z
DVTV-WH	

#### Case Size Series FS3

L	W	H	ML
241	61	37	226mm
9.5	2.4	1.46	8.9inch

**WARNING:** Always Disconnect Power Before Handling. Case Should be Grounded. Install in Accordance with National and Local Electrical Codes

# 347V LED DRIVER Dual Channel 24W

Output 20V to 34V Dual Channel Constant Current 350mA Max 24W  
Slim Case Size with leads

347V 350mA Electronic (2 x 12W) Dual Channel Constant Current LED Driver. Output Range of 20V to 34V. 24W maximum

## Technical Specification:

Class 2 UL, CUL Recognized, ROHS Compliant  
EMI FCC Part 15, Class A  
Rating: IP 65 Damp, Dry  
Output Open/Short Protection  
Min. Starting Temp: - 40° C  
Max. Case Temp: 90° C  
Typical Efficiency: 83%

Input Voltage range:  $\pm 10\%$   
Output Load range:  $\pm 5\%$   
Input Frequency: 50/60HZ  
THD: < 20%  
Power Factor Min: 0.90  
Remote Wiring Distance Full Load: 18AWG -18 ft  
2 Channel Output

Case Size: Series MC1

Due to continuing efforts to offer improved products all specifications are subject to change without prior notice

1/1/15

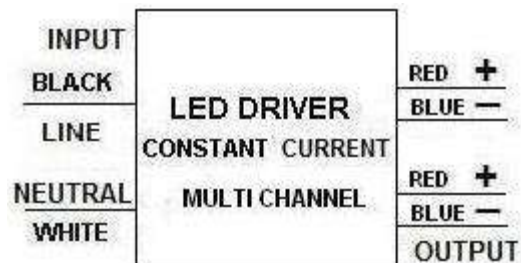
INPUT VOLTAGE	OUTPUT POWER WATTS PER CHANNEL	OUTPUT POWER WATTS MAX	OUTPUT CURRENT AMPS	OUTPUT VOLTAGE	INPUT CURRENT	INPUT WATTS	MODEL
347	12	24	0.35A	20-34	0.08A	29	NC350C12WD

### LIMITED WARRANTY

5 YEAR at maximum case temperature 75 deg C. 3 YEAR at maximum case temperature 90 deg C. Manufacturer warrants to the purchaser: Electronic Ballast will be free from defects in material or workmanship from the date of manufacture conditioned upon proper storage, installation, use, and maintenance and conformance with any recommendations of Manufacturer.

### Lead Length

Colour	inch	cm
Black	5.9	15
White	5.9	15
Blue	5.9	15
Red	5.9	15



**WARNING: Always Disconnect Power Before Handling.**  
Case Should be Grounded. Install in Accordance with National and Local Electrical Codes.

Series MC1	L	W	H	ML
Case Size:	241mm	32mm	29.5mm	226mm
	9.5inch	1.26inch	1.16inch	8.9inch





# Sage

**120-277V**

## **Dimmable & Non-Dimmable Multi Channel LED Drivers**

Sage 120 to 277V Dimmable Multi Channel LED Drivers include a wide variety of Custom drivers with multiple Form factor and output values designed for a select group of OEM Fixture manufactures. These drivers provide flexibility for the Fixture Manufacturers to offer wide range of luminaires for various light engine.

It is also easy to combine into common dimming systems accessible in commercial applications.

Output Current: from 185mA to 1050mA for Dimmable

Output Current: from 350mA for Non-Dimmable



# LED DRIVER **Multi Channel 32W 0-10V Dimming**

## Output 26V to 43V Multi Channel Constant Current **185mA** Max **32W**

Universal Voltage 120-277V Electronic (4 x 8W) Multi Channel Constant Current 185mA LED Driver. 0-10V Dimming. Output Range of 26V to 43V. 32W maximum.

### Technical Specification:

Class 2 UL, CUL Recognized, ROHS Compliant  
 EMI FCC Part 15, Class A  
 Rating: IP 65 Damp, Dry  
 Output Open/Short Protection  
 Min. Starting Temp: - 40° C  
 Max. Case Temp: 90° C  
 Typical Efficiency: 85%

Input Voltage range:  $\pm 10\%$   
 Output Load range  $\pm 5\%$   
 Input Frequency: 50/60HZ  
 THD: < 20%  
 Power Factor Min: 0.90  
 Remote Wiring Distance Full Load: 18AWG -18 ft  
 4 Channel Output

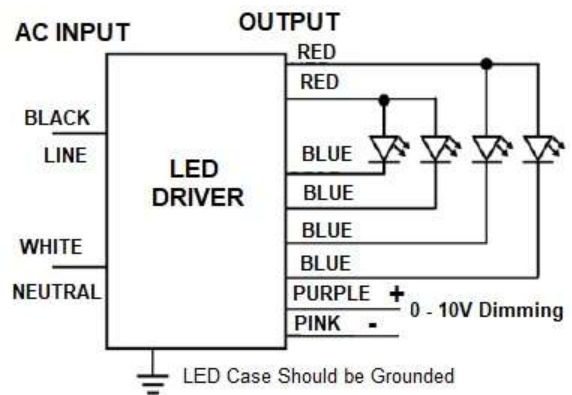
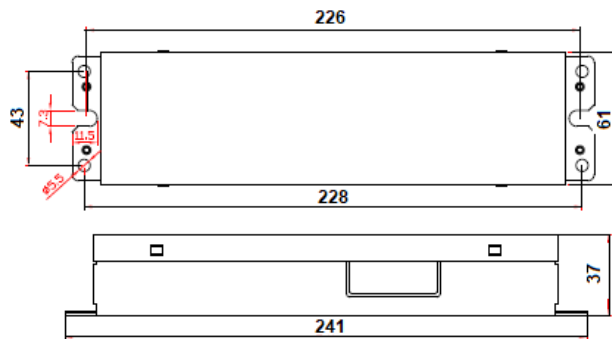
**Case Size: Series FS3**

Due to continuing efforts to offer improved products all specifications are subject to change without prior notice

INPUT VOLTAGE	INPUT CURRENT AMPS	INPUT POWER WATTS	OUTPUT POWER WATTS PER CHANNEL	OUTPUT POWER WATTS TOTAL	OUTPUT VOLTAGE	OUTPUT CURRENT AMPS	MODEL
120	0.61	38	8	32	26 to 43V	0.185A	NU185C8WQD
277	0.26						

#### LIMITED WARRANTY

5 YEAR at maximum case temperature 75 deg C. 3 YEAR at maximum case temperature 90 deg C. Manufacturer warrants to the purchaser: Product will be free from defects in material or workmanship from the date of manufacture conditioned upon proper storage, installation, use, and maintenance and conformance with any recommendations of Manufacturer



#### Lead Length

Colour	inc	cm
Black	6	15.2
White	6	15.2
Blue	6	15.2
Red	6	15.2
Pink	7.1	18
Purple	7.1	18

#### 0-10V Dimmer Compatibility Chart

LUTRON	LEVITON
NFTV	DS710-10Z
DVTV-WH	

#### Case Size Series FS3

L	W	H	ML
241	61	37	226mm
9.5	2.4	1.46	8.9inch

**WARNING:** Always Disconnect Power Before Handling. Case Should be Grounded. Install in Accordance with National and Local Electrical Codes

# LED DRIVER **Multi Channel** 90W 0-10V Dimming

## Output 29V to 48V Multi Channel Constant Current **350mA** Max **51W**

Universal Voltage 120-277V Electronic (3 x 17W) Multi Channel Constant Current LED Driver. 0-10V Dimming. Output Range of 29V to 48V. 51W maximum.

### Technical Specification:

Class 2 UL, CUL Recognized, ROHS Compliant  
 EMI FCC Part 15, Class A  
 Rating: IP 65 Damp, Dry  
 Output Open/Short Protection  
 Min. Starting Temp: - 40° C  
 Max. Case Temp: 90° C  
 Typical Efficiency: 86%  
 3 Channel Output

Input Voltage range:  $\pm 10\%$   
 Output Load range:  $\pm 5\%$   
 Input Frequency: 50/60HZ  
 THD: < 20%  
 Power Factor Min: 0.90  
 Remote Wiring Distance Full Load: 18AWG -18 ft

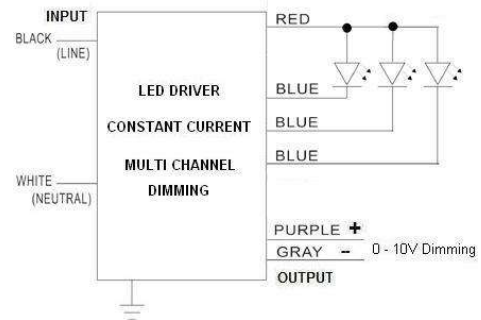
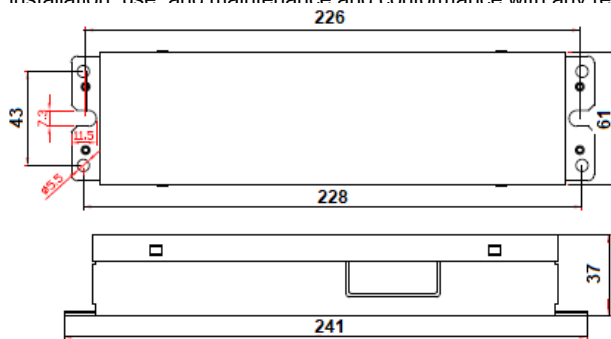
**Case Size: Series FS3**

Due to continuing efforts to offer improved products all specifications are subject to change without prior notice

INPUT VOLTAGE	INPUT CURRENT AMPS	INPUT POWER WATTS	OUTPUT POWER WATTS	OUTPUT VOLTAGE	OUTPUT CURRENT AMPS	MODEL
120	0.9A	62	51	29 to 48V	0.35A	<b>NU350C17WTD</b>
277	0.39					

#### LIMITED WARRANTY

5 YEAR at maximum case temperature 75 deg C. 3 YEAR at maximum case temperature 90 deg C. Manufacturer warrants to the purchaser: Product will be free from defects in material or workmanship from the date of manufacture conditioned upon proper storage, installation, use, and maintenance and conformance with any recommendations of Manufacturer



LED Case Should be Grounded

#### Lead Length

Colour	inc	cm
Black	6	15.2
White	6	15.2
Blue	6	15.2
Red	6	15.2
Pink	7.1	18
Purple	7.1	18

#### 0-10V Dimmer Compatibility Chart

LUTRON	LEVITON
NFTV	DS710-10Z
DVTV-WH	

#### Case Size Series FS3

L	W	H	ML
241	61	37	226mm
9.5	2.4	1.46	8.9inch

**WARNING:** Always Disconnect Power Before Handling. Case Should be Grounded. Install in Accordance with National and Local Electrical Codes

# LED DRIVER **Multi Channel 80W 0-10V Dimming**

## Output 34V to 57V Multi Channel Constant Current **350mA** Max **80W**

Universal Voltage 120-277V Electronic (4 x 20W) Multi Channel Constant Current 350mA LED Driver. 0-10V Dimming. Output Range of 34V to 57V. 80W maximum.

### Technical Specification:

UL, CUL Recognized, ROHS Compliant  
 EMI FCC Part 15, Class A  
 Rating: IP 65 Damp, Dry  
 Output Open/Short Protection  
 Min. Starting Temp: - 40° C  
 Max. Case Temp: 90° C  
 Typical Efficiency: 85%

Input Voltage range:  $\pm 10\%$   
 Output Load range  $\pm 5\%$   
 Input Frequency: 50/60HZ  
 THD: < 20%  
 Power Factor Min: 0.90  
 Remote Wiring Distance Full Load: 18AWG -18 ft  
 4 Channel Output

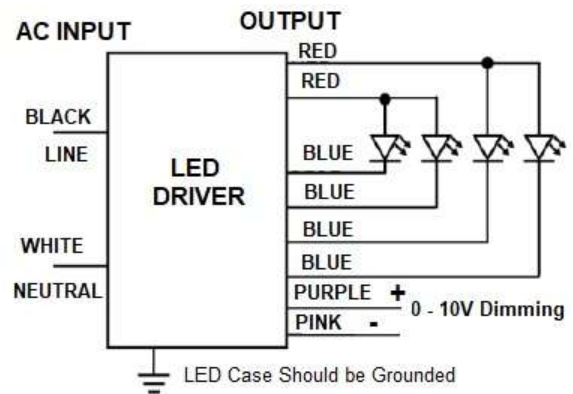
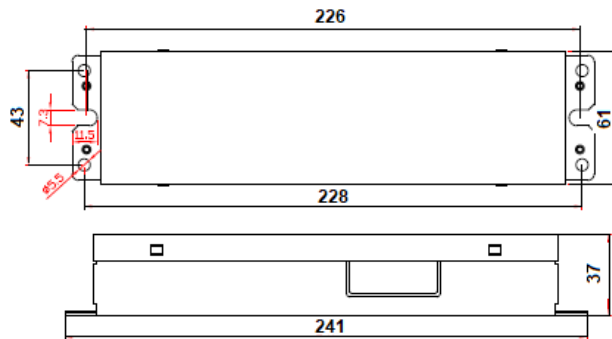
Case Size: Series FS3

Due to continuing efforts to offer improved products all specifications are subject to change without prior notice

INPUT VOLTAGE	INPUT CURRENT AMPS	INPUT POWER WATTS	OUTPUT POWER WATTS	OUTPUT VOLTAGE	OUTPUT CURRENT AMPS	MODEL
120	1.56 A	91	80	34 to 57V	0.35A	<b>NU350C20WQD</b>
277	0.68 A					

#### LIMITED WARRANTY

5 YEAR at maximum case temperature 75 deg C. 3 YEAR at maximum case temperature 90 deg C. Manufacturer warrants to the purchaser: Product will be free from defects in material or workmanship from the date of manufacture conditioned upon proper storage, installation, use, and maintenance and conformance with any recommendations of Manufacturer



#### Lead Length

Colour	inc	cm
Black	6	15.2
White	6	15.2
Blue	6	15.2
Red	6	15.2
Pink	7.1	18
Purple	7.1	18

#### 0-10V Dimmer Compatibility Chart

LUTRON	LEVITON
NFTV	DS710-10Z
DVTV-WH	

#### Case Size Series FS3

L	W	H	ML
241	61	37	226mm
9.5	2.4	1.46	8.9inch

**WARNING:** Always Disconnect Power Before Handling. Case Should be Grounded. Install in Accordance with National and Local Electrical Codes

# LED DRIVER Multi Channel 40W 0-10V Dimming

## Output 16V to 27V Multi Channel Constant Current 380mA Max 40W

Universal Voltage 120-277V Electronic (4 x 10W) Multi Channel Constant Current LED Driver. 0-10V Dimming. Output Range of 16V to 27V. 40W maximum.

### Technical Specification:

Class 2 UL, CUL Recognized, ROHS Compliant  
 EMI FCC Part 15, Class A  
 Rating: IP 65 Damp, Dry  
 Output Open/Short Protection  
 Min. Starting Temp: -40° C  
 Max. Case Temp: 90° C  
 Typical Efficiency: 85%  
 4 Channel Output

Input Voltage range:  $\pm 10\%$   
 Output Load range:  $\pm 5\%$   
 Input Frequency: 50/60HZ  
 THD: < 20%  
 Power Factor Min: 0.90  
 Remote Wiring Distance Full Load: 18AWG -18 ft  
 Bottom Mount Studs

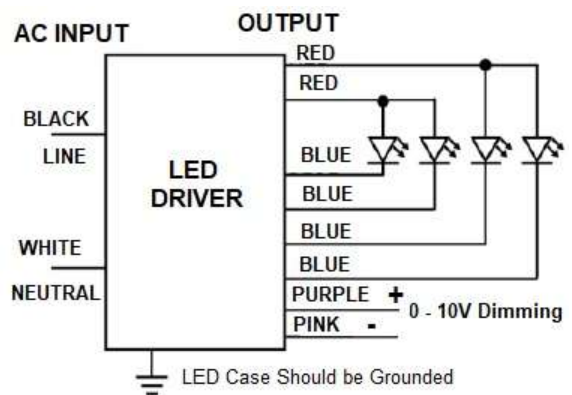
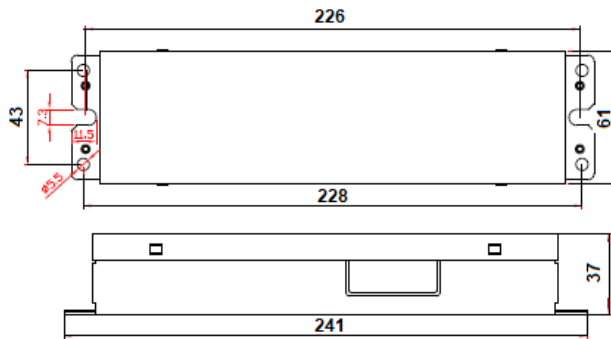
Case Size: Series FS3

Due to continuing efforts to offer improved products all specifications are subject to change without prior notice

INPUT VOLTAGE	INPUT CURRENT AMPS	INPUT POWER WATTS	OUTPUT POWER WATTS PER CHANNEL	OUTPUT POWER WATTS TOTAL	OUTPUT VOLTAGE	OUTPUT CURRENT AMPS	MODEL
120	0.78	47	10	40	16 to 27V	0.38A	NU380C10WQD
277	0.33						

#### LIMITED WARRANTY

5 YEAR at maximum case temperature 75 deg C. 3 YEAR at maximum case temperature 90 deg C. Manufacturer warrants to the purchaser: Product will be free from defects in material or workmanship from the date of manufacture conditioned upon proper storage, installation, use, and maintenance and conformance with any recommendations of Manufacturer



#### Lead Length

Colour	inc	cm
Black	6	15.2
White	6	15.2
Blue	6	15.2
Red	6	15.2
Pink	7.1	18
Purple	7.1	18

#### 0-10V Dimmer Compatibility Chart

LUTRON	LEVITON
NFTV	DS710-10Z
DVTV-WH	

#### Case Size Series FS3

L	W	H	ML
241	61	37	226mm
9.5	2.4	1.46	8.9inch

**WARNING:** Always Disconnect Power Before Handling. Case Should be Grounded. Install in Accordance with National and Local Electrical Codes

# LED DRIVER **Dual Channel 30W 0-10V Dimming**

## Output 20V to 33V Dual Channel Constant Current **450mA** Max **30W**

Universal Voltage 120-277V Electronic (2 x 15W) Dual Channel Constant Current 450mA LED Driver. 0-10V Dimming. Output Range of 20V to 33V. 30W maximum.

### Technical Specification:

Class 2 UL, CUL Recognized, ROHS Compliant  
 EMI FCC Part 15, Class A  
 Rating: IP 65 Damp, Dry  
 Output Open/Short Protection  
 Min. Starting Temp: -40° C  
 Max. Case Temp: 90° C  
 Typical Efficiency: 83%

Input Voltage range:  $\pm 10\%$   
 Output Load range  $\pm 5\%$   
 Input Frequency: 50/60HZ  
 THD: < 20%  
 Power Factor Min: 0.90  
 Remote Wiring Distance Full Load: 18AWG -18 ft  
 2 Channel Output

**Case Size: Series MU2**

Due to continuing efforts to offer improved products all specifications are subject to change without prior notice 2/6/15

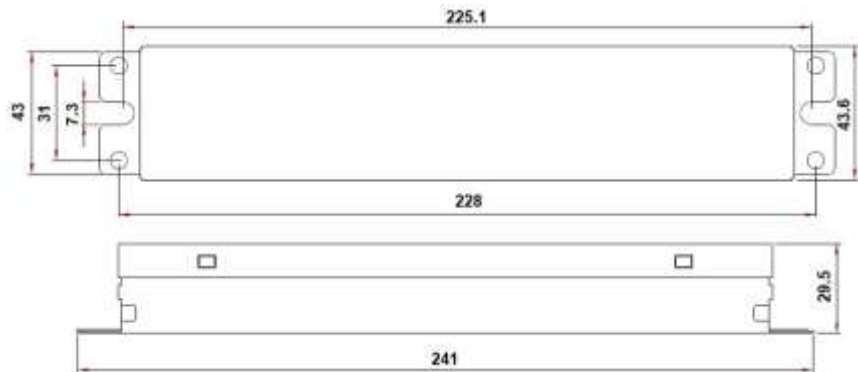
INPUT VOLTAGE	INPUT CURRENT AMPS	INPUT POWER WATTS	OUTPUT POWER WATTS	OUTPUT CURRENT AMPS	OUTPUT VOLTAGE	MODEL
120	0.30	36	30	0.45A	20 to 33V	<b>NU450C15WDLDIM</b>
277	0.13					

#### LIMITED WARRANTY

5 YEAR at maximum case temperature 75 deg C. 3 YEAR at maximum case temperature 90 deg C. Manufacturer warrants to the purchaser: Product will be free from defects in material or workmanship from the date of manufacture conditioned upon proper storage, installation, use, and maintenance and conformance with any recommendations of Manufacturer

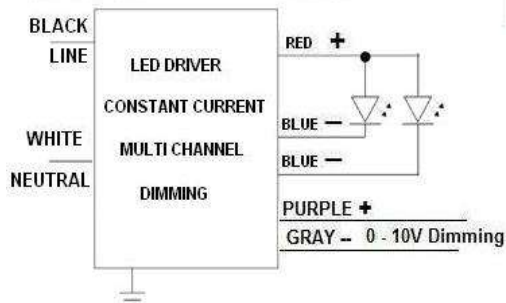
#### Lead Length

Colour	inc	cm
Black	6	15.2
White	6	15.2
Blue	6	15.2
Red	6	15.2
Pink	7.1	18
Purple	7.1	18



#### AC INPUT

#### OUTPUT



**LED Case Should be Grounded**

#### 0-10V Dimmer Compatibility Chart

LUTRON	LEVITON
NFTV	DS710-10Z
DVTV-WH	

#### Case Size Series MU2

L	W	H	ML
241	43	29.5	226mm
9.5	1.7	1.2	8.9 inch

**WARNING:** Always Disconnect Power Before Handling. Case Should be Grounded. Install in Accordance with National and Local Electrical Codes

# LED DRIVER Multi Channel 48W 0-10V Dimming

## Output 16V to 27V Multi Channel Constant Current 450mA Max 48W

Universal Voltage 120-277V Electronic (4 x 12W) Multi Channel Constant Current 450mA LED Driver. 0-10V Dimming. Output Range of 16V to 27V. 48W maximum.

### Technical Specification:

Class 2 UL, CUL Recognized, ROHS Compliant  
 EMI FCC Part 15, Class A  
 Rating: IP 65 Damp, Dry  
 Output Open/Short Protection  
 Min. Starting Temp: -40° C  
 Max. Case Temp: 90° C  
 Typical Efficiency: 83%  
 4 Channel Output

Input Voltage range:  $\pm 10\%$   
 Output Load range:  $\pm 5\%$   
 Input Frequency: 50/60HZ  
 THD: < 20%  
 Power Factor Min: 0.90  
 Remote Wiring Distance Full Load: 18AWG -18 ft

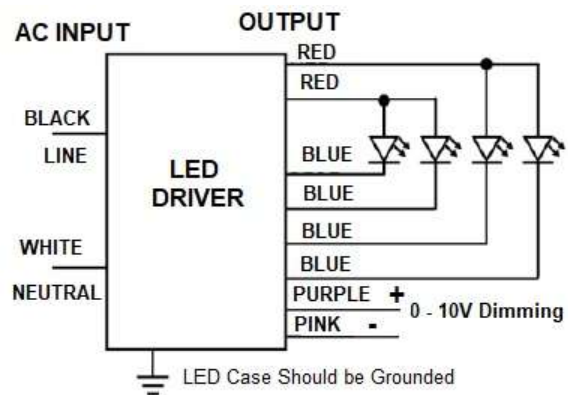
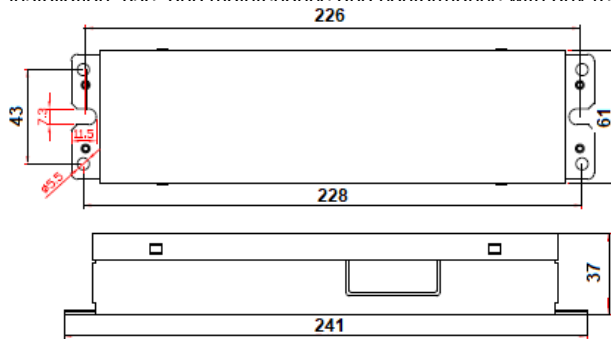
Case Size: Series FS3

Due to continuing efforts to offer improved products all specifications are subject to change without prior notice

INPUT VOLTAGE	INPUT CURRENT AMPS	INPUT POWER WATTS	OUTPUT POWER WATTS PER CHANNEL	OUTPUT POWER WATTS TOTAL	OUTPUT VOLTAGE	OUTPUT CURRENT AMPS	MODEL
120	0.78	58	12	48	16 to 27V	0.45A	NU450C12WQD
277	0.33						

#### LIMITED WARRANTY

5 YEAR at maximum case temperature 75 deg C. 3 YEAR at maximum case temperature 90 deg C. Manufacturer warrants to the purchaser: Product will be free from defects in material or workmanship from the date of manufacture conditioned upon proper storage, installation, use, and maintenance and conformance with any recommendations of Manufacturer



#### Lead Length

Colour	inc	cm
Black	6	15.2
White	6	15.2
Blue	6	15.2
Red	6	15.2
Pink	7.1	18
Purple	7.1	18

#### 0-10V Dimmer Compatibility Chart

LUTRON	LEVITON
NFTV	DS710-10Z
DVTV-WH	

#### Case Size Series FS3

L	W	H	ML
241	61	37	226mm
9.5	2.4	1.46	8.9inch

**WARNING:** Always Disconnect Power Before Handling. Case Should be Grounded. Install in Accordance with National and Local Electrical Codes



# LED DRIVER **Multi Channel 60W 0-10V Dimming**

## Output 20V to 33V Multi Channel Constant Current **450mA** Max **60W**

Universal Voltage 120-277V Electronic (4 x 15W) Multi Channel Constant Current 450mA LED Driver. 0-10V Dimming. Output Range of 20V to 33V. 60W maximum.

### Technical Specification:

Class 2 UL, CUL Recognized, ROHS Compliant  
 EMI FCC Part 15, Class A  
 Rating: IP 65 Damp, Dry  
 Output Open/Short Protection  
 Min. Starting Temp: - 40° C  
 Max. Case Temp: 90° C  
 Typical Efficiency: 85%

Input Voltage range:  $\pm 10\%$   
 Output Load range:  $\pm 5\%$   
 Input Frequency: 50/60HZ  
 THD: < 20%  
 Power Factor Min: 0.90  
 Remote Wiring Distance Full Load: 18AWG -18 ft  
 4 Channel Output

Case Size: Series FS3

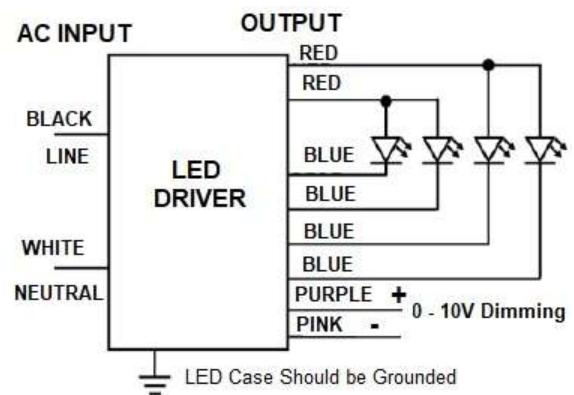
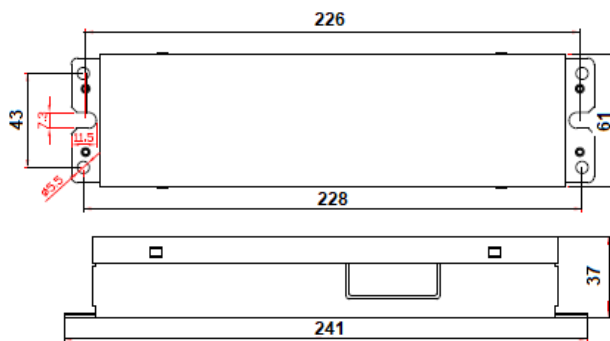
Due to continuing efforts to offer improved products all specifications are subject to change without prior notice

2/6/15

INPUT VOLTAGE	INPUT CURRENT AMPS	INPUT POWER WATTS	OUTPUT POWER WATTS PER CHANNEL	OUTPUT POWER WATTS TOTAL	OUTPUT VOLTAGE	OUTPUT CURRENT AMPS	MODEL
120	0.61	71	15	60	20 to 33V	0.45A	NU450C15WQDIM
277	0.26						

#### LIMITED WARRANTY

5 YEAR at maximum case temperature 75 deg C. 3 YEAR at maximum case temperature 90 deg C. Manufacturer warrants to the purchaser: Product will be free from defects in material or workmanship from the date of manufacture conditioned upon proper storage, installation, use, and maintenance and conformance with any recommendations of Manufacturer



#### Lead Length

Colour	inc	cm
Black	6	15.2
White	6	15.2
Blue	6	15.2
Red	6	15.2
Pink	7.1	18
Purple	7.1	18

#### 0-10V Dimmer

#### Compatibility Chart

LUTRON	LEVITON
NFTV	DS710-10Z
DVTV-WH	

#### Case Size Series FS3

L	W	H	ML
241	61	37	226mm
9.5	2.4	1.46	8.9inch

**WARNING:** Always Disconnect Power Before Handling. Case Should be Grounded. Install in Accordance with National and Local Electrical Codes

# LED DRIVER **Dual Channel 36W 0-10V Dimming**

## Output 24V to 40V Dual Channel Constant Current **450mA** Max **36W**

Universal Voltage 120-277V Electronic (2 x 18W) Dual Channel Constant Current 450mA LED Driver. 0-10V Dimming. Output Range of 24V to 40V. 36W maximum.

### Technical Specification:

Class 2 UL, CUL Recognized, ROHS Compliant  
 EMI FCC Part 15, Class A  
 Rating: IP 65 Damp, Dry  
 Output Open/Short Protection  
 Min. Starting Temp: - 40° C  
 Max. Case Temp: 90° C  
 Typical Efficiency: 82%

Input Voltage range:  $\pm 10\%$   
 Output Load range  $\pm 5\%$   
 Input Frequency: 50/60HZ  
 THD: < 20%  
 Power Factor Min: 0.90  
 Remote Wiring Distance Full Load: 18AWG -18 ft  
 2 Channel Output

**Case Size: Series MU2**

Due to continuing efforts to offer improved products all specifications are subject to change without prior notice

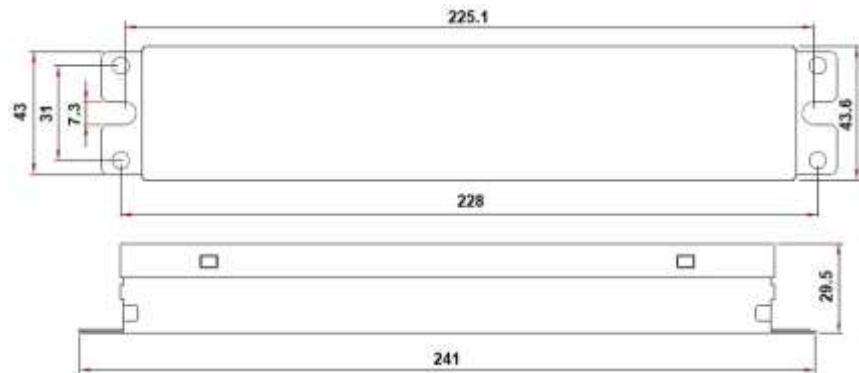
INPUT VOLTAGE	INPUT CURRENT AMPS	INPUT POWER WATTS	OUTPUT POWER WATTS	OUTPUT CURRENT AMPS	OUTPUT VOLTAGE	MODEL
120	0.30	44	36	0.45A	24 to 40V	<b>NU450C18WDLDIM</b>
277	0.13					

#### LIMITED WARRANTY

5 YEAR at maximum case temperature 75 deg C. 3 YEAR at maximum case temperature 90 deg C. Manufacturer warrants to the purchaser: Product will be free from defects in material or workmanship from the date of manufacture conditioned upon proper storage, installation, use, and maintenance and conformance with any recommendations of Manufacturer

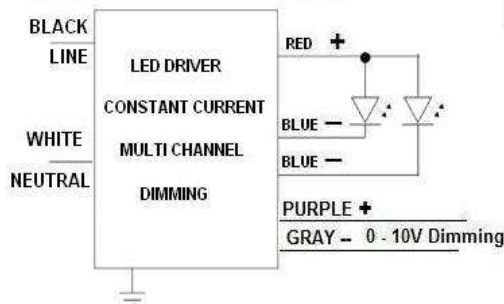
#### Lead Length

Colour	inc	cm
Black	6	15.2
White	6	15.2
Blue	6	15.2
Red	6	15.2
Pink	7.1	18
Purple	7.1	18



#### AC INPUT

#### OUTPUT



**LED Case Should be Grounded**

#### 0-10V Dimmer Compatibility Chart

LUTRON	LEVITON
NFTV	DS710-10Z
DVTV-WH	

#### Case Size Series MU2

L	W	H	ML
241	43	29.5	226mm
9.5	1.7	1.2	8.9 inch

**WARNING:** Always Disconnect Power Before Handling. Case Should be Grounded. Install in Accordance with National and Local Electrical Codes

# LED DRIVER Multi Channel 72W 0-10V Dimming

Output 24V to 40V Multi Channel Constant Current **450mA** Max **72W**

Bottom Mount Studs with leads

Universal Voltage 120-277V Electronic (4 x 18W) Multi Channel Constant Current 450mA LED Driver. 0-10V Dimming. Output Range of 24V to 40V. 72W maximum.

## Technical Specification:

Class 2 UL, CUL Recognized, ROHS Compliant

EMI FCC Part 15, Class A

Rating: IP 65 Damp, Dry

Output Open/Short Protection

Min. Starting Temp: -40° C

Max. Case Temp: 90° C

Typical Efficiency: 85%

4 Channel Output

Input Voltage range:  $\pm 10\%$

Output Load range  $\pm 5\%$

Input Frequency: 50/60HZ

THD: < 20%

Power Factor Min: 0.90

Remote Wiring Distance Full Load: 18AWG -18 ft

Bottom Mount Studs

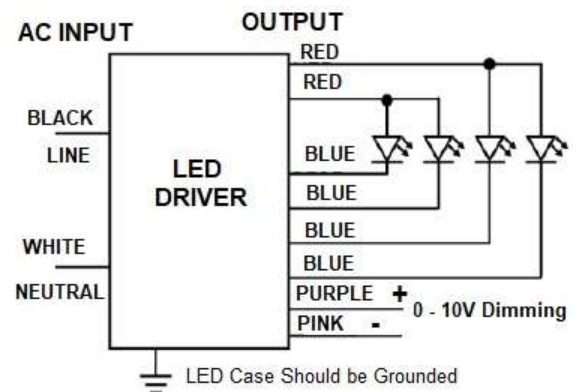
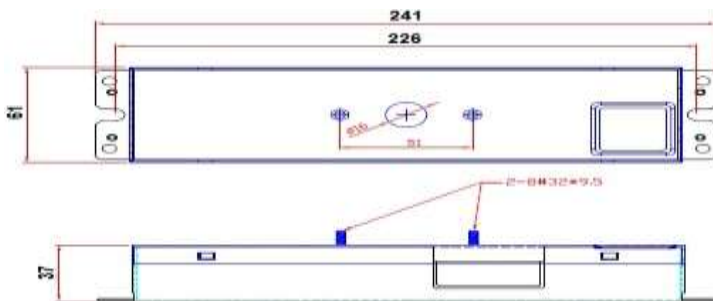
Case Size: Series FS3

Due to continuing efforts to offer improved products all specifications are subject to change without prior notice

INPUT VOLTAGE	INPUT CURRENT AMPS	INPUT POWER WATTS	OUTPUT POWER WATTS PER CHANNEL	OUTPUT POWER WATTS TOTAL	OUTPUT VOLTAGE	OUTPUT CURRENT AMPS	MODEL
120	0.78	85	18	72	24 to 40V	0.45A	NU450C18WQBD
277	0.33						

### LIMITED WARRANTY

5 YEAR at maximum case temperature 75 deg C. 3 YEAR at maximum case temperature 90 deg C. Manufacturer warrants to the purchaser: Product will be free from defects in material or workmanship from the date of manufacture conditioned upon proper storage, installation, use, and maintenance and conformance with any recommendations of Manufacturer



### Lead Length

Colour	inc	cm
Black	6	15.2
White	6	15.2
Blue	6	15.2
Red	6	15.2
Pink	7.1	18
Purple	7.1	18

### 0-10V Dimmer Compatibility Chart

LUTRON	LEVITON
NFTV	DS710-10Z
DVTV-WH	

### Case Size Series FS3

L	W	H	ML
241	61	37	226mm
9.5	2.4	1.46	8.9inch

**WARNING:** Always Disconnect Power Before Handling. Case Should be Grounded. Install in Accordance with National and Local Electrical Codes

901 - 3rd Street West, North Vancouver, BC V7P 3P9 Canada

TEL: 604-904-9533

www.sagedrivers.com www.sagelighting.com

*Sage  
Lighting Ltd.*

# LED DRIVER **Dual Channel 38W 0-10V Dimming**

## Output 25V to 42V Dual Channel Constant Current **450mA** Max **38W**

Universal Voltage 120-277V Electronic (2 x 19W) Dual Channel Constant Current 450mA LED Driver. 0-10V Dimming. Output Range of 25V to 42V. 38W maximum.

### Technical Specification:

Class 2 UL, CUL Recognized, ROHS Compliant  
 EMI FCC Part 15, Class A  
 Rating: IP 65 Damp, Dry  
 Output Open/Short Protection  
 Min. Starting Temp: - 40° C  
 Max. Case Temp: 90° C  
 Typical Efficiency: 83%  
 2 Channel Output

Input Voltage range:  $\pm 10\%$   
 Output Load range  $\pm 5\%$   
 Input Frequency: 50/60HZ  
 THD: < 20%  
 Power Factor Min: 0.90  
 Remote Wiring Distance Full Load: 18AWG -18 ft

**Case Size: Series MUL**

Due to continuing efforts to offer improved products all specifications are subject to change without prior notice

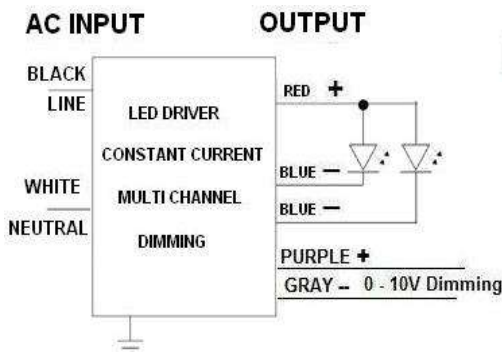
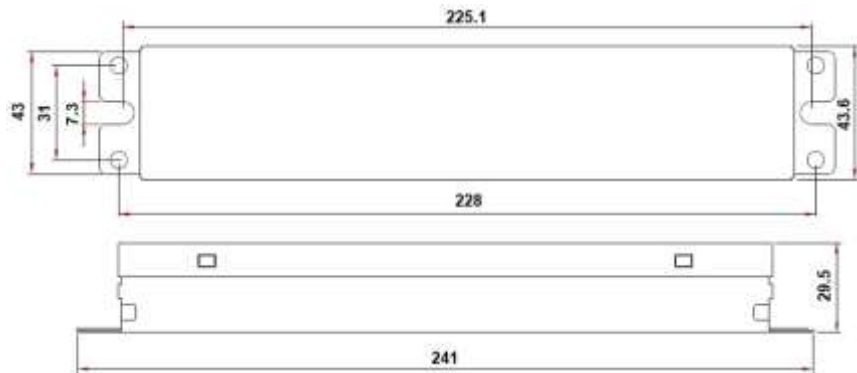
INPUT VOLTAGE	INPUT CURRENT AMPS	INPUT POWER WATTS	OUTPUT POWER WATTS	OUTPUT CURRENT AMPS	OUTPUT VOLTAGE	MODEL
120	0.46	46	38	0.45A	25 to 42V	<b>NU450C19WDL</b>
277	0.20					

#### LIMITED WARRANTY

5 YEAR at maximum case temperature 75 deg C. 3 YEAR at maximum case temperature 90 deg C. Manufacturer warrants to the purchaser: Product will be free from defects in material or workmanship from the date of manufacture conditioned upon proper storage, installation, use, and maintenance and conformance with any recommendations of Manufacturer

#### Lead Length

Colour	inc	cm
Black	6	15.2
White	6	15.2
Blue	6	15.2
Red	6	15.2
Pink	7.1	18
Purple	7.1	18



**LED Case Should be Grounded**

#### 0-10V Dimmer Compatibility Chart

LUTRON	LEVITON
NFTV	DS710-10Z
DVTV-WH	

#### Case Size Series MU2

L	W	H	ML
241	43	29.5	226mm
9.5	1.7	1.2	8.9 inch

**WARNING:** Always Disconnect Power Before Handling. Case Should be Grounded. Install in Accordance with National and Local Electrical Codes

# LED DRIVER Multi Channel 60W 0-10V Dimming

Output 20V to 33V Multi Channel Constant Current **450mA** Max **60W**

Bottom Mount Studs with leads

Universal Voltage 120-277V Electronic (4 x 15W) Multi Channel Constant Current 450mA LED Driver. 0-10V Dimming. Output Range of 20V to 33V. 60W maximum.

## Technical Specification:

Class 2 UL, CUL Recognized, ROHS Compliant

EMI FCC Part 15, Class A

Rating: IP 65 Damp, Dry

Output Open/Short Protection

Min. Starting Temp: - 40° C

Max. Case Temp: 90° C

Typical Efficiency: 85%

4 Channel Output

Input Voltage range:  $\pm 10\%$

Output Load range  $\pm 5\%$

Input Frequency: 50/60HZ

THD: < 20%

Power Factor Min: 0.90

Remote Wiring Distance Full Load: 18AWG -18 ft

Bottom Mount Studs

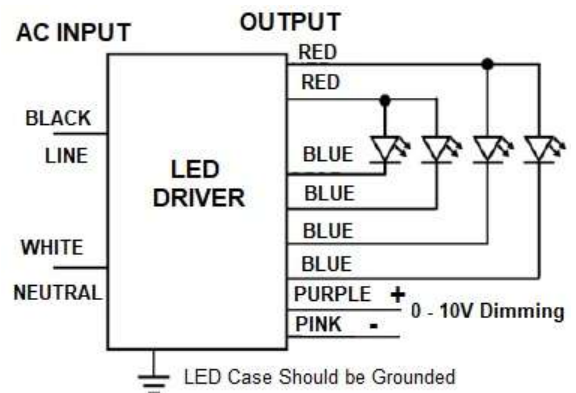
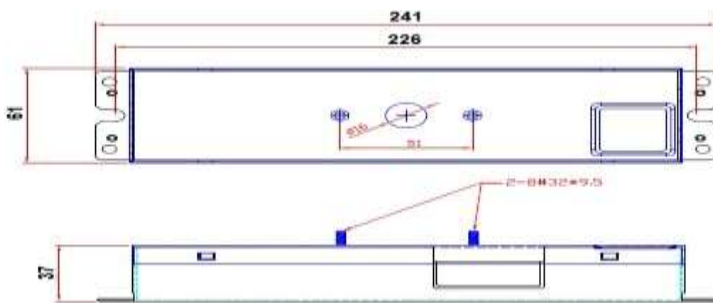
Case Size: Series FS3

Due to continuing efforts to offer improved products all specifications are subject to change without prior notice

INPUT VOLTAGE	INPUT CURRENT AMPS	INPUT POWER WATTS	OUTPUT POWER WATTS PER CHANNEL	OUTPUT POWER WATTS TOTAL	OUTPUT VOLTAGE	OUTPUT CURRENT AMPS	MODEL
120	0.61	71	15	60	20 to 33V	0.45A	NU450C15WQBD
277	0.26						

### LIMITED WARRANTY

5 YEAR at maximum case temperature 75 deg C. 3 YEAR at maximum case temperature 90 deg C. Manufacturer warrants to the purchaser: Product will be free from defects in material or workmanship from the date of manufacture conditioned upon proper storage, installation, use, and maintenance and conformance with any recommendations of Manufacturer



### Lead Length

Colour	inc	cm
Black	6	15.2
White	6	15.2
Blue	6	15.2
Red	6	15.2
Pink	7.1	18
Purple	7.1	18

### 0-10V Dimmer Compatibility Chart

LUTRON	LEVITON
NFTV	DS710-10Z
DVTV-WH	

### Case Size Series FS3

L	W	H	ML
241	61	37	226mm
9.5	2.4	1.46	8.9inch

**WARNING:** Always Disconnect Power Before Handling. Case Should be Grounded. Install in Accordance with National and Local Electrical Codes

901 - 3rd Street West, North Vancouver, BC V7P 3P9 Canada

TEL: 604-904-9533

www.sagedrivers.com www.sagelighting.com

*Sage  
Lighting Ltd.*

# LED DRIVER Multi Channel 72W 0-10V Dimming

Output 24V to 40V Multi Channel Constant Current **450mA** Max **72W**

Universal Voltage 120V-277V

Universal Voltage 120-277V Electronic (4 x 18W) Multi Channel Constant Current 450mA LED Driver. 0-10V Dimming. Output Range of 24V to 40V. 72W maximum.

## Technical Specification:

Class 2 UL, CUL Recognized, ROHS Compliant

EMI FCC Part 15, Class A

Rating: IP 65 Damp, Dry

Output Open/Short Protection

Min. Starting Temp: - 40° C

Max. Case Temp: 90° C

Typical Efficiency: 85%

Input Voltage range:  $\pm 10\%$

Output Load range:  $\pm 5\%$

Input Frequency: 50/60HZ

THD: < 20%

Power Factor Min: 0.90

Remote Wiring Distance Full Load: 18AWG -18 ft

4 Channel Output

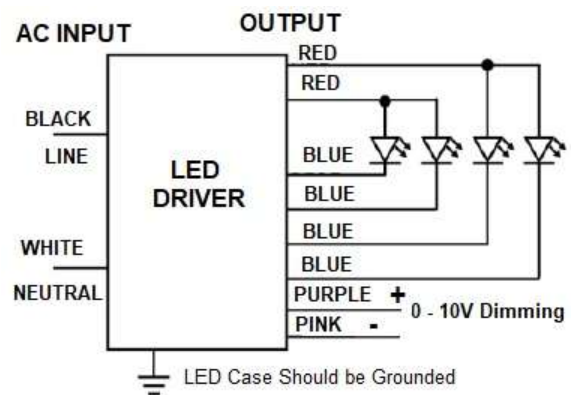
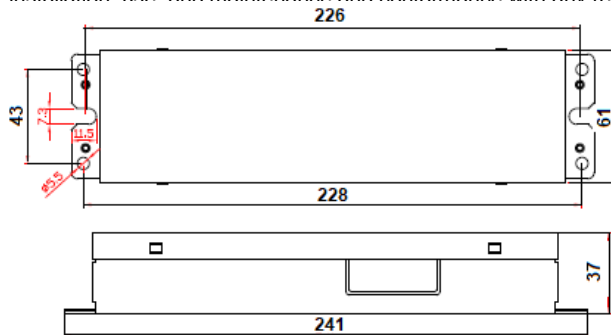
Case Size: Series FS3

Due to continuing efforts to offer improved products all specifications are subject to change without prior notice

INPUT VOLTAGE	INPUT CURRENT AMPS	INPUT POWER WATTS	OUTPUT POWER WATTS PER CHANNEL	OUTPUT POWER WATTS TOTAL	OUTPUT VOLTAGE	OUTPUT CURRENT AMPS	MODEL
120	0.78	85	18	72	24 to 40V	0.45A	NU450C18WQDIM
277	0.33						

### LIMITED WARRANTY

5 YEAR at maximum case temperature 75 deg C. 3 YEAR at maximum case temperature 90 deg C. Manufacturer warrants to the purchaser: Product will be free from defects in material or workmanship from the date of manufacture conditioned upon proper storage, installation, use, and maintenance and conformance with any recommendations of Manufacturer



### Lead Length

Colour	inc	cm
Black	6	15.2
White	6	15.2
Blue	6	15.2
Red	6	15.2
Pink	7.1	18
Purple	7.1	18

### 0-10V Dimmer Compatibility Chart

LUTRON	LEVITON
NFTV	DS710-10Z
DVTV-WH	

### Case Size Series FS3

L	W	H	ML
241	61	37	226mm
9.5	2.4	1.46	8.9inch

**WARNING:** Always Disconnect Power Before Handling. Case Should be Grounded. Install in Accordance with National and Local Electrical Codes

901 - 3rd Street West, North Vancouver, BC V7P 3P9 Canada

TEL: 604-904-9533

www.sagedrivers.com www.sagelighting.com

*Sage  
Lighting Ltd.*

# LED DRIVER **Multi Channel 75W 0-10V Dimming**

## Output 30V to 50V Multi Channel Constant Current **500mA** Max **75W**

Universal Voltage 120-277V Electronic (3 x 25W) Multi Channel Constant Current 500mA LED Driver. 0-10V Dimming. Output Range of 30V to 50V. 75W maximum.

### Technical Specification:

Class 2 UL, CUL Recognized, ROHS Compliant  
 EMI FCC Part 15, Class A  
 Rating: IP 65 Damp, Dry  
 Output Open/Short Protection  
 Min. Starting Temp: - 40° C  
 Max. Case Temp: 90° C  
 Typical Efficiency: 84%

Input Voltage range: **± 10%**  
 Output Load range **± 5%**  
 Input Frequency: **50/60HZ**  
 THD: **< 20%**  
 Power Factor Min: **0.90**  
 Remote Wiring Distance Full Load: **18AWG -18 ft**  
**3 Channel Output**

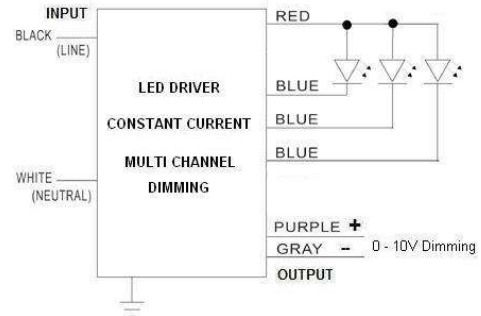
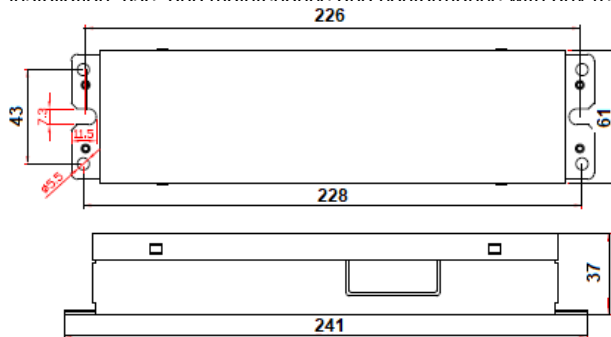
**Case Size: Series FS3**

Due to continuing efforts to offer improved products all specifications are subject to change without prior notice

INPUT VOLTAGE	INPUT CURRENT AMPS	INPUT POWER WATTS	OUTPUT POWER WATTS	OUTPUT VOLTAGE	OUTPUT CURRENT AMPS	MODEL
120	0.9A	89	75	30 to 50V	0.5A	<b>NU500C25WTD</b>
277	0.39					

#### LIMITED WARRANTY

5 YEAR at maximum case temperature 75 deg C. 3 YEAR at maximum case temperature 90 deg C. Manufacturer warrants to the purchaser: Product will be free from defects in material or workmanship from the date of manufacture conditioned upon proper storage, installation, use, and maintenance and conformance with any recommendations of Manufacturer



LED Case Should be Grounded

#### 0-10V Dimmer Compatibility Chart

#### Lead Length

Colour	inc	cm
Black	6	15.2
White	6	15.2
Blue	6	15.2
Red	6	15.2
Pink	7.1	18
Purple	7.1	18

LUTRON	LEVITON
NFTV	DS710-10Z
DVTV-WH	

#### Case Size Series FS3

L	W	H	ML
241	61	37	226mm
9.5	2.4	1.46	8.9inch

**WARNING:** Always Disconnect Power Before Handling. Case Should be Grounded. Install in Accordance with National and Local Electrical Codes

# LED DRIVER **Multi Channel 84W 0-10V Dimming**

## Output 34V to 56V Multi Channel Constant Current 500mA Max **84W**

Universal Voltage 120-277V Electronic (3 x 28W) Multi Channel Constant Current 500mA LED Driver. 0-10V Dimming. Output Range of 34V to 56V. 84W maximum.

### Technical Specification:

Class 2 UL, CUL Recognized, ROHS Compliant  
 EMI FCC Part 15, Class A  
 Rating: IP 65 Damp, Dry  
 Output Open/Short Protection  
 Min. Starting Temp: - 40° C  
 Max. Case Temp: 90° C  
 Typical Efficiency: 86%  
 3 Channel Output

Input Voltage range:  $\pm 10\%$   
 Output Load range  $\pm 5\%$   
 Input Frequency: 50/60HZ  
 THD: < 20%  
 Power Factor Min: 0.90  
 Remote Wiring Distance Full Load: 18AWG -18 ft

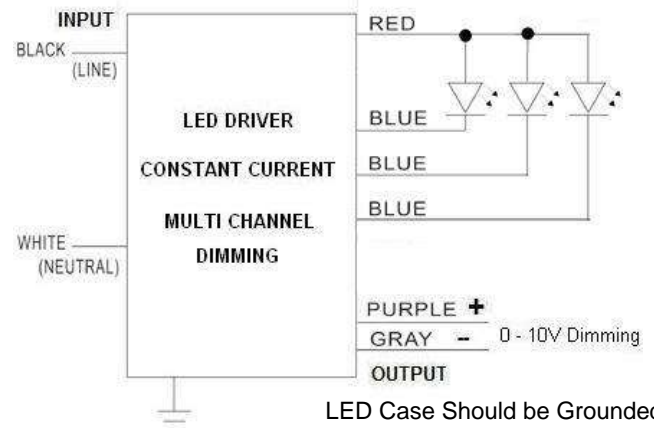
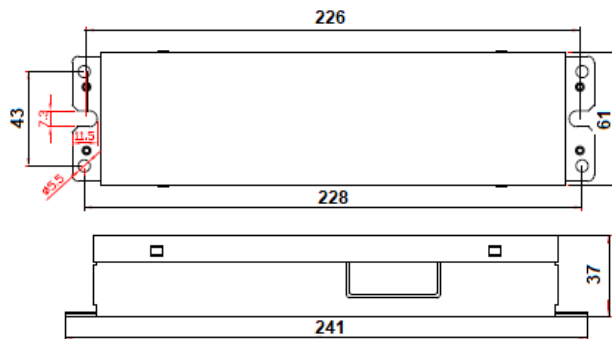
Case Size: Series FS3

Due to continuing efforts to offer improved products all specifications are subject to change without prior notice

INPUT VOLTAGE	INPUT CURRENT AMPS	INPUT POWER WATTS	OUTPUT POWER WATTS	OUTPUT VOLTAGE	OUTPUT CURRENT AMPS	MODEL
120	0.9A	98	84	34 to 56V	0.5A	NU500C84WTD
277	0.39					

#### LIMITED WARRANTY

5 YEAR at maximum case temperature 75 deg C. 3 YEAR at maximum case temperature 90 deg C. Manufacturer warrants to the purchaser: Product will be free from defects in material or workmanship from the date of manufacture conditioned upon proper storage, installation, use, and maintenance and conformance with any recommendations of Manufacturer



#### Lead Length

Colour	inc	cm
Black	6	15.2
White	6	15.2
Blue	6	15.2
Red	6	15.2
Pink	7.1	18
Purple	7.1	18

#### 0-10V Dimmer Compatibility Chart

LUTRON	LEVITON
NFTV	DS710-10Z
DVTV-WH	

#### Case Size Series FS3

L	W	H	ML
241	61	37	226mm
9.5	2.4	1.46	8.9inch

**WARNING:** Always Disconnect Power Before Handling. Case Should be Grounded. Install in Accordance with National and Local Electrical Codes



# LED DRIVER Dual Channel & Output 0-10V Dimming

Output 18V to 30V Dual Channel Constant Current 350mA-700mA Max **32W**

Universal Voltage 120-277V Dual Channel & Current - 350mA & 700mA LED Driver. 0-10V Dimming. Output Range of 18V to 30V. 32W maximum.

## Technical Specification:

Class 2 UL, CUL Recognized, ROHS Compliant  
 EMI FCC Part 15, Class A  
 Rating: IP 65 Damp, Dry  
 Output Open/Short Protection  
 Min. Starting Temp: - 40° C  
 Max. Case Temp: 90° C  
 Typical Efficiency: 84%  
 2 Channel 2 Output Current

Input Voltage range:  $\pm 10\%$   
 Output Load range  $\pm 5\%$   
 Input Frequency: 50/60HZ  
 THD: < 20%  
 Power Factor Min: 0.90  
 Remote Wiring Distance Full Load: 18AWG -18 ft

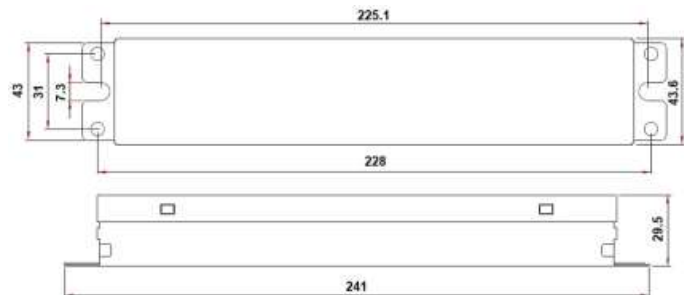
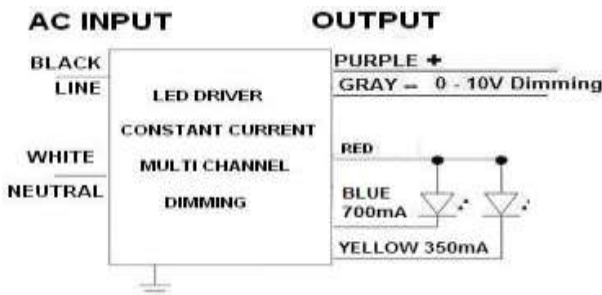
Case Size: Series MU2

Due to continuing efforts to offer improved products all specifications are subject to change without prior notice

INPUT VOLTAGE	INPUT CURRENT AMPS	INPUT POWER WATTS	OUTPUT POWER WATTS	OUTPUT VOLTAGE	OUTPUT CURRENT AMPS	MODEL
120	0.96	38	32	18 to 30V	0.35A / 0.7A	NU700C21WD-D2
277	0.42					

### LIMITED WARRANTY

5 YEAR at maximum case temperature 75 deg C. 3 YEAR at maximum case temperature 90 deg C. Manufacturer warrants to the purchaser: Product will be free from defects in material or workmanship from the date of manufacture conditioned upon proper storage, installation, use, and maintenance and conformance with any recommendations of Manufacturer



LED Case Should be Grounded

### 0-10V Dimmer Compatibility Chart

LUTRON	LEVITON
NFTV	DS710-10Z
DVTV-WH	

### Case Size Series MU2

L	W	H	ML
241	43	29.5	226mm
9.5	1.7	1.2	8.9 inch

### Lead Length

Colour	inc	cm
Black	6	15.2
White	6	15.2
Blue	6	15.2
Red	6	15.2
Pink	7.1	18
Purple	7.1	18

**WARNING:** Always Disconnect Power Before Handling. Case Should be Grounded. Install in Accordance with National and Local Electrical Codes

# LED DRIVER Dual Channel & Output 0-10V Dimming

Output 28V to 46V Dual Channel Constant Current 350mA-700mA Max **49W**

Universal Voltage 120-277V Dual Channel & Current 350mA & 700mA LED Driver. 0-10V Dimming. Output Range of 28V to 46V. 49W maximum.

## Technical Specification:

Class 2 UL, CUL Recognized, ROHS Compliant  
 EMI FCC Part 15, Class A  
 Rating: IP 65 Damp, Dry  
 Output Open/Short Protection  
 Min. Starting Temp: - 40° C  
 Max. Case Temp: 90° C  
 Typical Efficiency: 84%  
 2 Channel 2 Output Current

Input Voltage range:  $\pm 10\%$   
 Output Load range  $\pm 5\%$   
 Input Frequency: 50/60HZ  
 THD: < 20%  
 Power Factor Min: 0.90  
 Remote Wiring Distance Full Load: 18AWG -18 ft

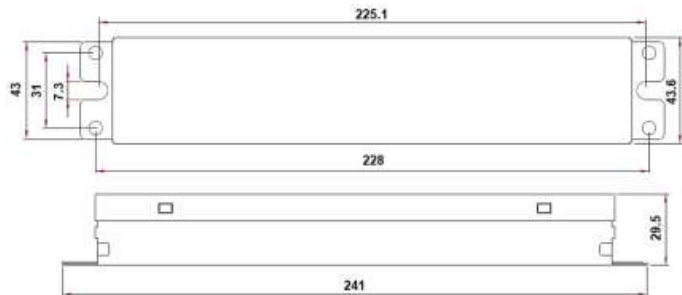
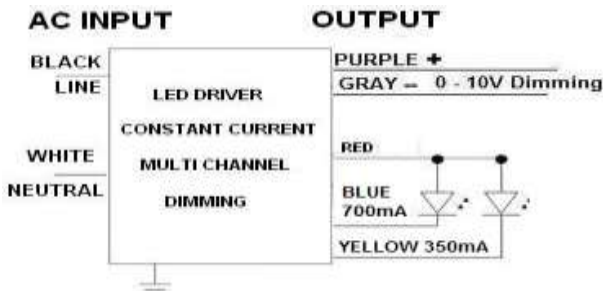
Case Size: Series MU2

Due to continuing efforts to offer improved products all specifications are subject to change without prior notice

INPUT VOLTAGE	INPUT CURRENT AMPS	INPUT POWER WATTS	OUTPUT POWER WATTS	OUTPUT VOLTAGE	OUTPUT CURRENT AMPS	MODEL
120	0.96	58	49	28 to 46V	0.35A / 0.7A	NU700C32WD-D2
277	0.42					

### LIMITED WARRANTY

5 YEAR at maximum case temperature 75 deg C. 3 YEAR at maximum case temperature 90 deg C. Manufacturer warrants to the purchaser: Product will be free from defects in material or workmanship from the date of manufacture conditioned upon proper storage, installation, use, and maintenance and conformance with any recommendations of Manufacturer



LED Case Should be Grounded

### 0-10V Dimmer Compatibility Chart

LUTRON	LEVITON
NFTV	DS710-10Z
DVTV-WH	

### Case Size Series MU2

L	W	H	ML
241	43	29.5	226mm
9.5	1.7	1.2	8.9 inch

### Lead Length

Colour	inc	cm
Black	6	15.2
White	6	15.2
Blue	6	15.2
Red	6	15.2
Pink	7.1	18
Purple	7.1	18

**WARNING:** Always Disconnect Power Before Handling. Case Should be Grounded. Install in Accordance with National and Local Electrical Codes

# LED DRIVER **Multi Channel** 90W 0-10V Dimming

## Output 25V to 42V Multi Channel Constant Current **700mA** Max **90W**

Universal Voltage 120-277V Electronic (3 x 30W) Multi Channel Constant Current 700mA LED Driver. 0-10V Dimming. Output Range of 25V to 42V. 90W maximum.

### Technical Specification:

Class 2 UL, CUL Recognized, ROHS Compliant  
 EMI FCC Part 15, Class A  
 Rating: IP 65 Damp, Dry  
 Output Open/Short Protection  
 Min. Starting Temp: - 40° C  
 Max. Case Temp: 90° C  
 Typical Efficiency: 86%  
 3 Channel Output

Input Voltage range:  $\pm 10\%$   
 Output Load range  $\pm 5\%$   
 Input Frequency: 50/60HZ  
 THD: < 20%  
 Power Factor Min: 0.90  
 Remote Mounting Distance: 18AWG - 18 ft

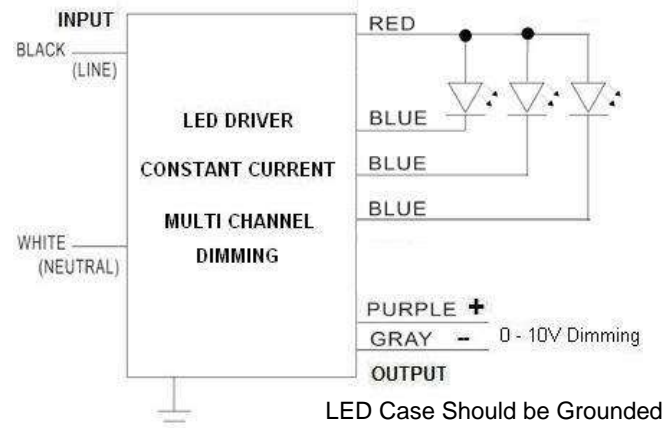
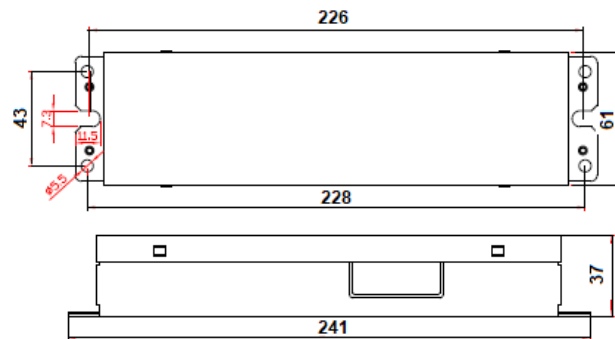
Case Size: Series FS3

Due to continuing efforts to offer improved products all specifications are subject to change without prior notice 1/1/15

INPUT VOLTAGE	INPUT CURRENT AMPS	INPUT POWER WATTS	OUTPUT POWER WATTS	OUTPUT VOLTAGE	OUTPUT CURRENT AMPS	MODEL
120	0.9A	105	90	25 to 42V	0.7A	NU700C30WTDIM
277	0.39					

#### LIMITED WARRANTY

5 YEAR at maximum case temperature 75 deg C. 3 YEAR at maximum case temperature 90 deg C. Manufacturer warrants to the purchaser: Product will be free from defects in material or workmanship from the date of manufacture conditioned upon proper storage, installation, use, and maintenance and conformance with any recommendations of Manufacturer



#### Lead Length

Colour	inc	cm
Black	6	15.2
White	6	15.2
Blue	6	15.2
Red	6	15.2
Pink	7.1	18
Purple	7.1	18

#### 0-10V Dimmer Compatibility Chart

LUTRON	LEVITON
NFTV	DS710-10Z
DVTV-WH	

#### Case Size Series FS3

L	W	H	ML
241	61	37	226mm
9.5	2.4	1.46	8.9inch

**WARNING:** Always Disconnect Power Before Handling. Case Should be Grounded. Install in Accordance with National and Local Electrical Codes

# LED DRIVER **Multi Channel 90W 0-10V Dimming**

## Output 25V to 42V Multi Channel Constant Current **700mA Max 90W**

Bottom Mount Studs with leads

Universal Voltage 120-277V Electronic (3 x 30W) Multi Channel Constant Current 700mA LED Driver. 0-10V Dimming. Output Range of 25V to 42V. 90W maximum.

### Technical Specification:

Class 2 UL, CUL Recognized, ROHS Compliant  
 EMI FCC Part 15, Class A  
 Rating: IP 65 Damp, Dry  
 Output Open/Short Protection  
 Min. Starting Temp: - 40° C  
 Max. Case Temp: 90° C  
 Typical Efficiency: 86%  
 3 Channel Output

Input Voltage range:  $\pm 10\%$   
 Output Load range:  $\pm 5\%$   
 Input Frequency: 50/60HZ  
 THD: < 20%  
 Power Factor Min: 0.90  
 Remote Wiring Distance Full Load: 18AWG -18 ft  
 Bottom Mount Studs

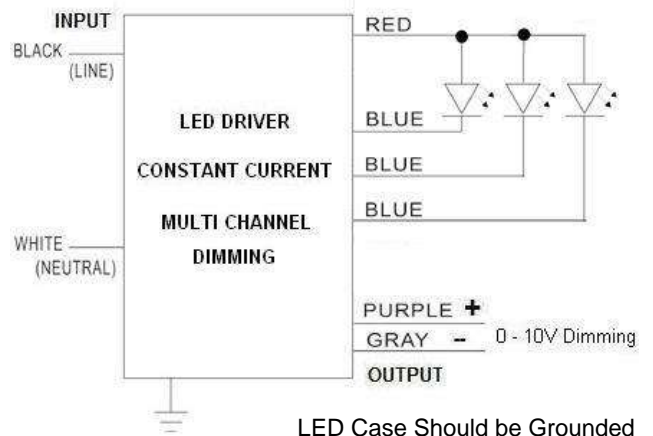
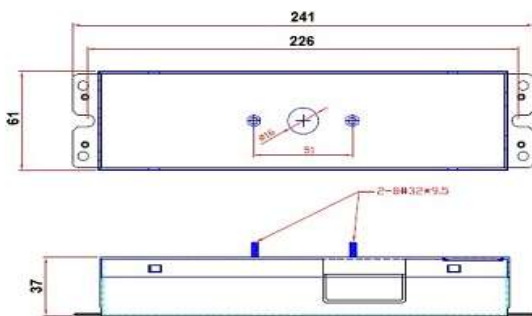
**Case Size: Series FS3**

Due to continuing efforts to offer improved products all specifications are subject to change without prior notice

INPUT VOLTAGE	INPUT CURRENT AMPS	INPUT POWER WATTS	OUTPUT POWER WATTS	OUTPUT VOLTAGE	OUTPUT CURRENT AMPS	MODEL
120	0.9A	105	90	25 to 42V	0.7A	<b>NU700C30WTBD</b>
277	0.39					

#### LIMITED WARRANTY

5 YEAR at maximum case temperature 75 deg C. 3 YEAR at maximum case temperature 90 deg C. Manufacturer warrants to the purchaser: Product will be free from defects in material or workmanship from the date of manufacture conditioned upon proper storage, installation, use, and maintenance and conformance with any recommendations of Manufacturer



#### Lead Length

Colour	inc	cm
Black	6	15.2
White	6	15.2
Blue	6	15.2
Red	6	15.2
Pink	7.1	18
Purple	7.1	18

#### 0-10V Dimmer Compatibility Chart

LUTRON	LEVITON
NFTV	DS710-10Z
DVTV-WH	

#### Case Size Series FS3

L	W	H	ML
241	61	37	226mm
9.5	2.4	1.46	8.9inch

**WARNING:** Always Disconnect Power Before Handling. Case Should be Grounded. Install in Accordance with National and Local Electrical Codes

# LED DRIVER Dual Channel 64W 0-10V Dimming

Output Range 27V to 46V Dual Channel Constant Current **700mA** Max **64W**

Universal Voltage 120-277V Electronic (2 x 32W) Dual Channel Constant Current 7000mA LED Driver. 0-10V Dimming. Output Range of 27V to 46V for Single circuit 64W maximum.

## Technical Specification:

Class 2 UL, CUL Recognized, ROHS Compliant  
 EMI FCC Part 15, Class A  
 Rating: IP 65 Damp, Dry  
 Output Open/Short Protection  
 Min. Starting Temp: - 40° C  
 Max. Case Temp: 90° C  
 Typical Efficiency: 83%

Input Voltage range:  $\pm 10\%$   
 Output Load range  $\pm 5\%$   
 Input Frequency: 50/60HZ  
 THD: < 20%  
 Power Factor Min: 0.95  
 Remote Wiring Distance Full Load: 18AWG -18 ft

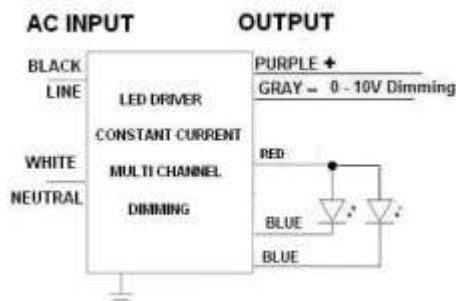
Case Size: Series FS3

Due to continuing efforts to offer improved products all specifications are subject to change without prior notice

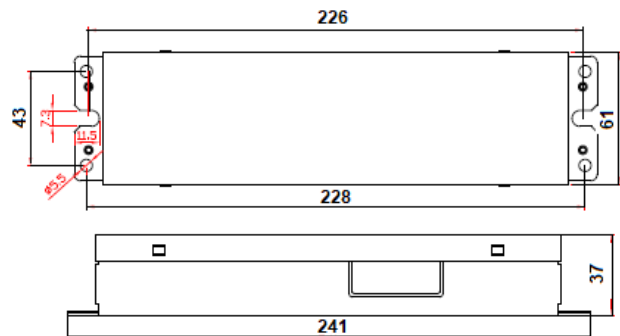
INPUT VOLTAGE	INPUT CURRENT	INPUT WATTS	OUTPUT POWER WATTS MAX	OUTPUT VOLTAGE	OUTPUT CURRENT AMPS	MODEL
120	0.96A	78	64	27 to 46V	0.7A	NU700C32WDL
277	0.42A					

### LIMITED WARRANTY

5 YEAR at maximum case temperature 75 deg C. 3 YEAR at maximum case temperature 90 deg C. Manufacturer warrants to the purchaser: Product will be free from defects in material or workmanship from the date of manufacture conditioned upon proper storage, installation, use, and maintenance and conformance with any recommendations of Manufacturer



LED Case Should be Grounded



### Lead Length

Colour	inc	cm
Black	6	15.2
White	6	15.2
Blue	6	15.2
Red	6	15.2
Pink	7.1	18
Purple	7.1	18

### 0-10V Dimmer Compatibility Chart

LUTRON	LEVITON
NFTV	DS710-10Z
DVTV-WH	

### Case Size Series FS3

L	W	H	ML
241	61	37	226mm
9.5	2.4	1.46	8.9inch

**WARNING:** Always Disconnect Power Before Handling. Case Should be Grounded. Install in Accordance with National and Local Electrical Codes

# LED DRIVER **Dual Channel 76W 0-10V Dimming**

## Output 32V to 54V Dual Channel Constant Current **700mA Max 76W**

Universal Voltage 120-277V Electronic (2 x 38W) Dual Channel Constant Current 700mA LED Driver. 0-10V Dimming. Output Range of 32V to 54V. 76W maximum.

### Technical Specification:

Class 2 UL, CUL Recognized, ROHS Compliant  
 EMI FCC Part 15, Class A  
 Rating: IP 65 Damp, Dry  
 Output Open/Short Protection  
 Min. Starting Temp: - 40° C  
 Max. Case Temp: 90° C  
 Typical Efficiency: 83%

Input Voltage range:  $\pm 10\%$   
 Output Load range  $\pm 5\%$   
 Input Frequency: 50/60HZ  
 THD: < 20%  
 Power Factor Min: 0.90  
 Remote Wiring Distance Full Load: 18AWG -18 ft  
 2 Channel Output

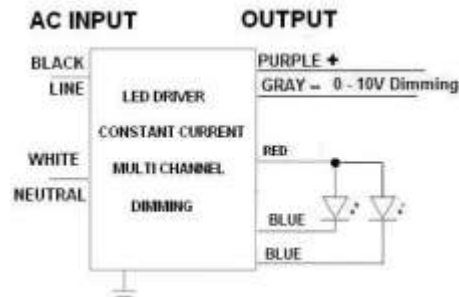
**Case Size: Series FS3**

Due to continuing efforts to offer improved products all specifications are subject to change without prior notice

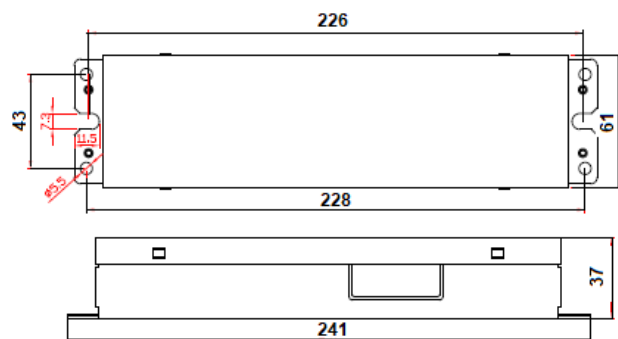
INPUT VOLTAGE	INPUT CURRENT AMPS	INPUT POWER WATTS	OUTPUT POWER WATTS	OUTPUT VOLTAGE	OUTPUT CURRENT AMPS	MODEL
120	0.96	92	76	32 to 54V	0.7A	NU700C38WDL D
277	0.42					

#### LIMITED WARRANTY

5 YEAR at maximum case temperature 75 deg C. 3 YEAR at maximum case temperature 90 deg C. Manufacturer warrants to the purchaser: Product will be free from defects in material or workmanship from the date of manufacture conditioned upon proper storage, installation, use, and maintenance and conformance with any recommendations of Manufacturer



LED Case Should be Grounded



#### Lead Length

Colour	inc	cm
Black	6	15.2
White	6	15.2
Blue	6	15.2
Red	6	15.2
Pink	7.1	18
Purple	7.1	18

#### 0-10V Dimmer Compatibility Chart

LUTRON	LEVITON
NFTV	DS710-10Z
DVTV-WH	

#### Case Size Series FS3

L	W	H	ML
241	61	37	226mm
9.5	2.4	1.46	8.9inch

**WARNING:** Always Disconnect Power Before Handling. Case Should be Grounded. Install in Accordance with National and Local Electrical Codes

# LED DRIVER **Multi Channel** 160W 0-10V Dimming

## Output 34V to 57V Multi Channel Constant Current **700mA** Max **160W**

Universal Voltage 120-277V Electronic (4 x 40W) Multi Channel Constant Current 700mA LED Driver. 0-10V Dimming. Output Range of 34V to 57V. 160W maximum.

### Technical Specification:

Class 2 UL, CUL Recognized, ROHS Compliant  
 EMI FCC Part 15, Class A  
 Rating: IP 65 Damp, Dry  
 Output Open/Short Protection  
 Min. Starting Temp: - 40° C  
 Max. Case Temp: 90° C  
 Typical Efficiency: 85%

Input Voltage range:  $\pm 10\%$   
 Output Load range  $\pm 5\%$   
 Input Frequency: 50/60HZ  
 THD: < 20%  
 Power Factor Min: 0.90  
 Remote Wiring Distance Full Load: 18AWG -18 ft  
 4 Channel Output

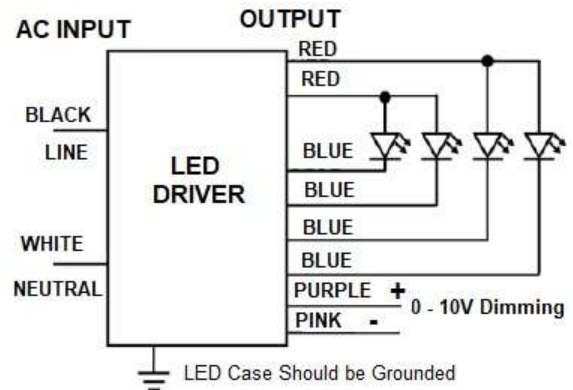
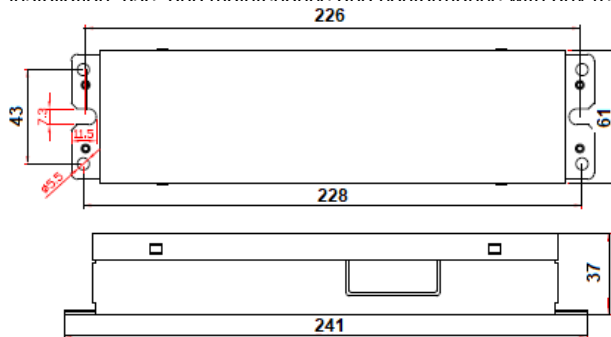
Case Size: Series FS7

Due to continuing efforts to offer improved products all specifications are subject to change without prior notice

INPUT VOLTAGE	INPUT CURRENT AMPS	INPUT POWER WATTS	OUTPUT POWER WATTS PER CHANNEL	OUTPUT POWER WATTS	OUTPUT VOLTAGE	OUTPUT CURRENT AMPS	MODEL
120	1.56 A	188	40	160	34 to 57V	0.7A	<b>NU700C40WQD</b>
277	0.68 A						

#### LIMITED WARRANTY

5 YEAR at maximum case temperature 75 deg C. 3 YEAR at maximum case temperature 90 deg C. Manufacturer warrants to the purchaser: Product will be free from defects in material or workmanship from the date of manufacture conditioned upon proper storage, installation, use, and maintenance and conformance with any recommendations of Manufacturer



#### Lead Length

Colour	inc	cm
Black	6	15.2
White	6	15.2
Blue	6	15.2
Red	6	15.2
Pink	7.1	18
Purple	7.1	18

#### 0-10V Dimmer Compatibility Chart

LUTRON	LEVITON
NFTV	DS710-10Z
DVTV-WH	

#### Case Size Series FS7

L	W	H	ML
241	95	45	226mm
9.5	3.75	1.77	8.9inch

**WARNING:** Always Disconnect Power Before Handling. Case Should be Grounded. Install in Accordance with National and Local Electrical Codes

# LED DRIVER **Dual Channel 68W 0-10V Dimming**

## Output 19V to 32V Dual Channel Constant Current **1050mA** Max **68W**

Universal Voltage 120-277V Electronic (2 x 34W) Dual Channel Constant Current 1050mA LED Driver. 0-10V Dimming. Output Range of 19V to 32V. 68W maximum.

### Technical Specification:

Class 2 UL, CUL Recognized, ROHS Compliant  
 EMI FCC Part 15, Class A  
 Rating: IP 65 Damp, Dry  
 Output Open/Short Protection  
 Min. Starting Temp: - 40° C  
 Max. Case Temp: 90° C  
 Typical Efficiency: 83%  
 2 Channel Output

Input Voltage range:  $\pm 10\%$   
 Output Load range:  $\pm 5\%$   
 Input Frequency: 50/60HZ  
 THD: < 20%  
 Power Factor Min: 0.90  
 Remote Wiring Distance Full Load: 18AWG -18 ft

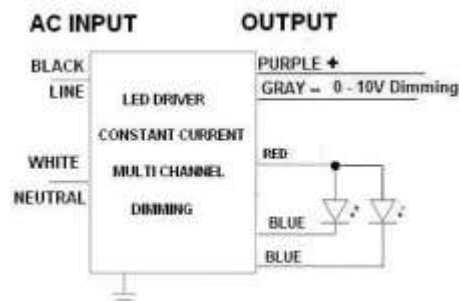
Case Size: Series FS3

Due to continuing efforts to offer improved products all specifications are subject to change without prior notice

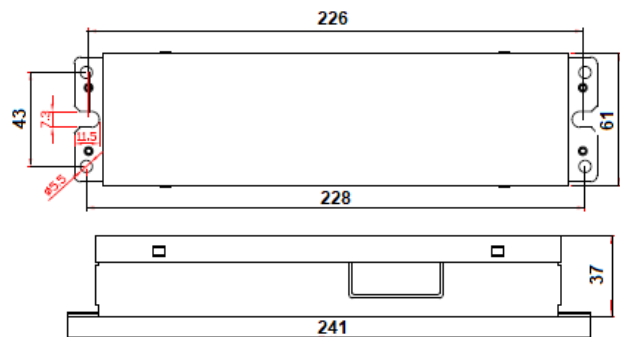
INPUT VOLTAGE	INPUT CURRENT AMPS	INPUT POWER WATTS	OUTPUT POWER WATTS PER CHANNEL	OUTPUT POWER WATTS	OUTPUT VOLTAGE	OUTPUT CURRENT AMPS	MODEL
120	0.96	82	34	68	19 to 32V	1.05A	<b>NU1050C34WDL D</b>
277	0.42						

#### LIMITED WARRANTY

5 YEAR at maximum case temperature 75 deg C. 3 YEAR at maximum case temperature 90 deg C. Manufacturer warrants to the purchaser: Product will be free from defects in material or workmanship from the date of manufacture conditioned upon proper storage, installation, use, and maintenance and conformance with any recommendations of Manufacturer



LED Case Should be Grounded



#### Lead Length

Colour	inc	cm
Black	6	15.2
White	6	15.2
Blue	6	15.2
Red	6	15.2
Pink	7.1	18
Purple	7.1	18

#### 0-10V Dimmer Compatibility Chart

LUTRON	LEVITON
NFTV	DS710-10Z
DVTV-WH	

#### Case Size Series FS3

L	W	H	ML
241	61	37	226mm
9.5	2.4	1.46	8.9inch

**WARNING:** Always Disconnect Power Before Handling. Case Should be Grounded. Install in Accordance with National and Local Electrical Codes



# Sage

**347V**

## **Dimmable & Non-Dimmable Fixed Current LED Drivers**

Sage offers a wide variety 347V Dimmable fixed Current LED Drivers. Most of these drivers are available in multiple Form factor and output values and are designed for a select group of OEM Fixture manufactures. These drivers provide flexibility for the Fixture Manufacturers to offer wide range of luminaires for the Canadian Market

It is also easy to combine into common dimming systems accessible in commercial applications.

Output Current: from 350mA to 5000mA for Dimmable  
Output Current: from 300mA for Non-Dimmable



# 347V LED DRIVER 70W 0-10V Dimming

## Output Range 120V to 200V Constant Current **350mA** Max **70W**

347V Electronic Constant Current LED Driver 0-10V Dimming. Output Range of 120V to 200V for Single circuit 70W maximum.

### Technical Specification:

UL, CUL Recognized, ROHS Compliant  
 EMI FCC Part 15, Class A  
 Rating: IP 65 Damp, Dry  
 Output Open/Short Protection  
 Min. Starting Temp: -40° C  
 Max. Case Temp: 90° C  
 Typical Efficiency: 88 %

Input Voltage range:  $\pm 10\%$   
 Output Load range:  $\pm 5\%$   
 Input Frequency: 50/60HZ  
 THD: < 20%  
 Power Factor Min: 0.90  
 Remote Wiring Distance Full Load: 18AWG -18 ft

Case Size: Series MU2

Due to continuing efforts to offer improved products all specifications are subject to change without prior notice

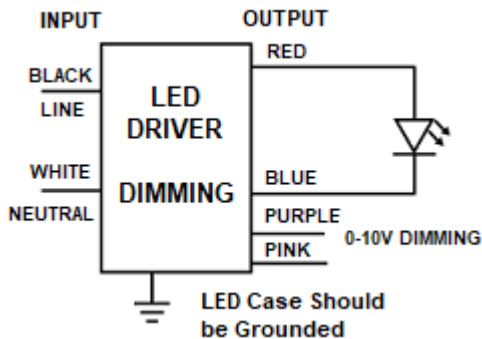
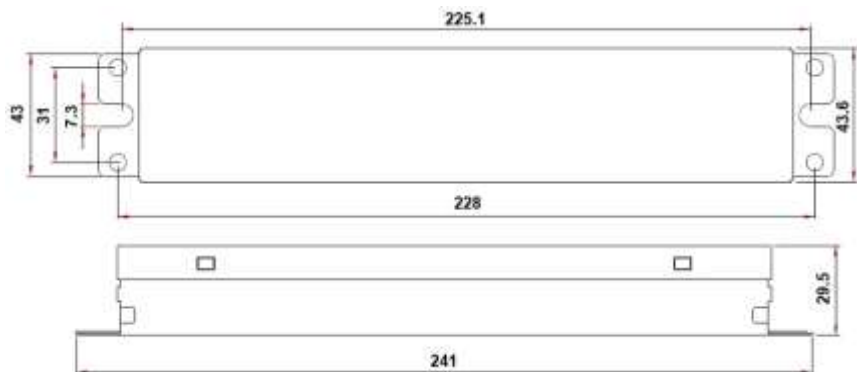
INPUT VOLTAGE	INPUT CURRENT	INPUT WATTS	OUTPUT POWER WATTS MAX	OUTPUT VOLTAGE	OUTPUT CURRENT AMPS	MODEL
347V	0.5A	80	70	120 to 200V	0.35A	<b>NC350C70WSD</b>

#### LIMITED WARRANTY

5 YEAR at maximum case temperature 75 deg C. 3 YEAR at maximum case temperature 90 deg C. Manufacturer warrants to the purchaser: Product will be free from defects in material or workmanship from the date of manufacture conditioned upon proper storage, installation, use, and maintenance and conformance with any recommendations of Manufacturer

#### Lead Length

Colour	inc	cm
Black	6	15.2
White	6	15.2
Blue	6	15.2
Red	6	15.2
Pink	7.1	18
Purple	7.1	18



#### 0-10V Dimmer Compatibility Chart

LUTRON	LEVITON
NFTV	DS710-10Z
DTVV-WH	

#### Case Size Series MU2

L	W	H	ML
241	43	29.5	226mm
9.5	1.7	1.2	8.9 inch

**WARNING:** Always Disconnect Power Before Handling. Case Should be Grounded. Install in Accordance with National and Local Electrical Codes

# 347V LED DRIVER 100W 0-10V Dimming

## Output Range 85V to 143V Constant Current 700mA Max 100W

347V Electronic Constant Current 700mA LED Driver 0-10V Dimming. Output Range of 85V to 143V for Single circuit 100W maximum.

### Technical Specification:

UL, CUL Recognized, ROHS Compliant  
 EMI FCC Part 15, Class A  
 Rating: IP 65 Damp, Dry  
 Output Open/Short Protection  
 Min. Starting Temp: - 40° C  
 Max. Case Temp: 90° C  
 Typical Efficiency: 90%

Input Voltage range:  $\pm 10\%$   
 Output Load range:  $\pm 5\%$   
 Input Frequency: 50/60HZ  
 THD: < 20%  
 Power Factor Min: 0.90  
 Remote Wiring Distance Full Load: 18AWG -18 ft

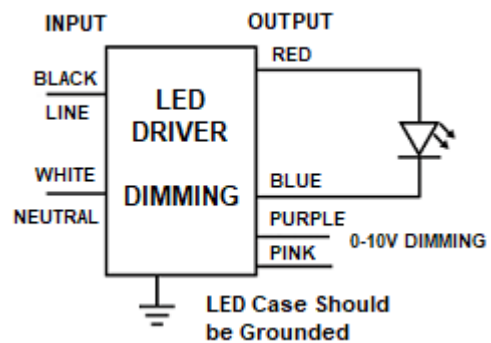
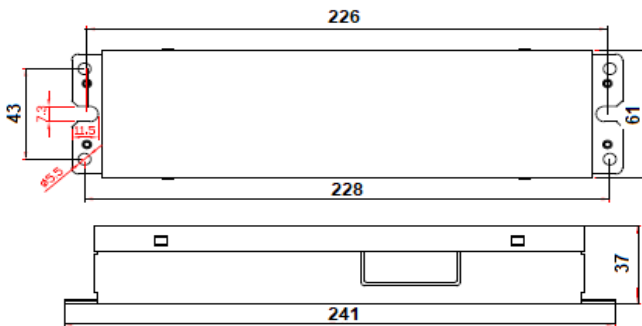
Case Size: Series FS3

Due to continuing efforts to offer improved products all specifications are subject to change without prior notice

INPUT VOLTAGE	INPUT CURRENT	INPUT WATTS	OUTPUT POWER WATTS MAX	OUTPUT VOLTAGE	OUTPUT CURRENT AMPS	MODEL
347V	0.32A	112	100	85 to 143V	0.7A	NC700C100WSD

#### LIMITED WARRANTY

5 YEAR at maximum case temperature 75 deg C. 3 YEAR at maximum case temperature 90 deg C. Manufacturer warrants to the purchaser: Product will be free from defects in material or workmanship from the date of manufacture conditioned upon proper storage, installation, use, and maintenance and conformance with any recommendations of Manufacturer



#### Lead Length

Colour	inc	cm
Black	6	15.2
White	6	15.2
Blue	6	15.2
Red	6	15.2
Pink	7.1	18
Purple	7.1	18

#### 0-10V Dimmer Compatibility Chart

LUTRON	LEVITON
NFTV	DS710-10Z
DVTV-WH	

#### Case Size Series FS3

L	W	H	ML
241	61	37	226mm
9.5	2.4	1.46	8.9inch

**WARNING:** Always Disconnect Power Before Handling. Case Should be Grounded. Install in Accordance with National and Local Electrical Codes

# 347V LED DRIVER 150W 0-10V Dimming

## Output Range 128V to 214V Constant Current 700mA Max 150W

347V Electronic Constant Current 700mA LED Driver 0-10V Dimming. Output Range of 128V to 214V for Single circuit 150W maximum.

### Technical Specification:

UL, CUL Recognized, ROHS Compliant  
 EMI FCC Part 15, Class A  
 Rating: IP 65 Damp, Dry  
 Output Open/Short Protection  
 Min. Starting Temp: - 40° C  
 Max. Case Temp: 90° C  
 Typical Efficiency: 91%

Input Voltage range:  $\pm 10\%$   
 Output Load range:  $\pm 5\%$   
 Input Frequency: 50/60HZ  
 THD: < 20%  
 Power Factor Min: 0.90  
 Remote Wiring Distance Full Load: 18AWG -18 ft

Case Size: Series FS4

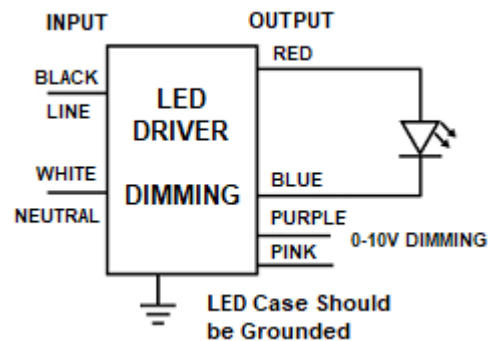
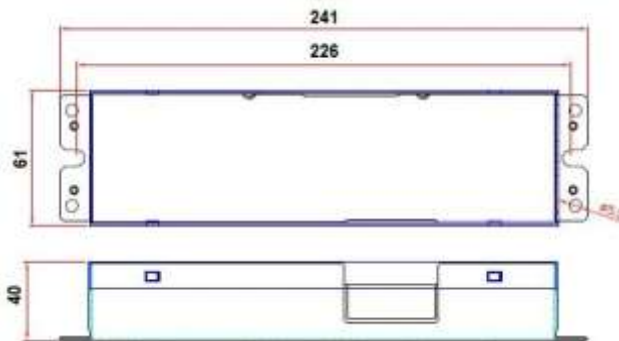
Due to continuing efforts to offer improved products all specifications are subject to change without prior notice

INPUT VOLTAGE	INPUT CURRENT	INPUT WATTS	OUTPUT POWER WATTS MAX	OUTPUT VOLTAGE	OUTPUT CURRENT AMPS	MODEL
347V	0.5A	165	150	128 to 214V	0.7A	NC700C150WSD

LIMITED WARRANTY

LIMITED WARRANTY

5 YEAR at maximum case temperature 75 deg C. 3 YEAR at maximum case temperature 90 deg C. Manufacturer warrants to the purchaser: Product will be free from defects in material or workmanship from the date of manufacture conditioned upon proper storage, installation, use, and maintenance and conformance with any recommendations of Manufacturer



#### Lead Length

Colour	inc	cm
Black	6	15.2
White	6	15.2
Blue	6	15.2
Red	6	15.2
Pink	7.1	18
Purple	7.1	18

#### 0-10V Dimmer Compatibility Chart

LUTRON	LEVITON
NFTV	DS710-10Z
DVTV-WH	

#### Case Size Series FS4

L	W	H	ML
241	61	40	226mm
9.5	2.4	1.57	8.9inch

**WARNING:** Always Disconnect Power Before Handling. Case Should be Grounded. Install in Accordance with National and Local Electrical Codes

# 347V LED DRIVER 200W 0-10V Dimming

## Output Range 171V to 285V Constant Current **0.7A** Max **200W**

347V Electronic Constant Current 700mA LED Driver 0-10V Dimming. Output Range of 171V to 285V for Single circuit 200W maximum.

### Technical Specification:

UL, CUL Recognized, ROHS Compliant  
 EMI FCC Part 15, Class A  
 Rating: IP 65 Damp, Dry  
 Output Open/Short Protection  
 Min. Starting Temp: - 40° C  
 Max. Case Temp: 90° C  
 Typical Efficiency: 93%

Input Voltage range:  $\pm 10\%$   
 Output Load range:  $\pm 5\%$   
 Input Frequency: 50/60HZ  
 THD: < 20%  
 Power Factor Min: 0.90  
 Remote Wiring Distance Full Load: 18AWG -18 ft

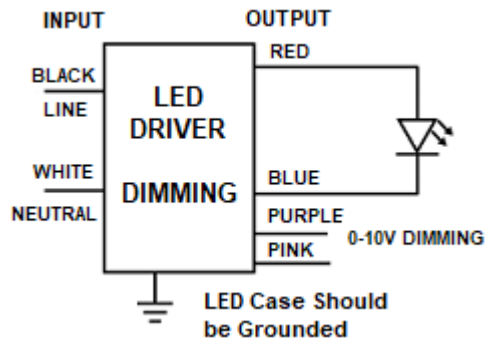
Case Size: Series FS5

Due to continuing efforts to offer improved products all specifications are subject to change without prior notice

INPUT VOLTAGE	INPUT CURRENT	INPUT WATTS	OUTPUT POWER WATTS MAX	OUTPUT VOLTAGE	OUTPUT CURRENT AMPS	MODEL
347V	0.62A	215	200	171 to 285V	0.7A	NC700C200WSD

#### LIMITED WARRANTY

5 YEAR at maximum case temperature 75 deg C. 3 YEAR at maximum case temperature 90 deg C. Manufacturer warrants to the purchaser: Product will be free from defects in material or workmanship from the date of manufacture conditioned upon proper storage, installation, use, and maintenance and conformance with any recommendations of Manufacturer



#### Lead Length

Colour	inc	cm
Black	6	15.2
White	6	15.2
Blue	6	15.2
Red	6	15.2
Pink	7.1	18
Purple	7.1	18

#### 0-10V Dimmer Compatibility Chart

LUTRON	LEVITON
NFTV	DS710-10Z
DVTV-WH	

#### Case Size Series FS5

L	W	H	ML
241	66	40.5	226mm
9.5	2.6	1.6	8.9inch

**WARNING:** Always Disconnect Power Before Handling. Case Should be Grounded. Install in Accordance with National and Local Electrical Codes

# 347V LED DRIVER 200W 0-10V Dimming

Output Range 120V to 200V Constant Current **1000mA** Max **200W**

347V Electronic Constant Current 1000mA LED Driver 0-10V Dimming. Output Range of 120V to 200V for Single circuit 200W maximum.

## Technical Specification:

UL, CUL Recognized, ROHS Compliant  
 EMI FCC Part 15, Class A  
 Rating: IP 65 Damp, Dry  
 Output Open/Short Protection  
 Min. Starting Temp: - 40° C  
 Max. Case Temp: 90° C  
 Typical Efficiency: 93%

Input Voltage range:  $\pm 10\%$   
 Output Load range:  $\pm 5\%$   
 Input Frequency: 50/60HZ  
 THD: < 20%  
 Power Factor Min: 0.90  
 Remote Wiring Distance Full Load: 18AWG -18 ft

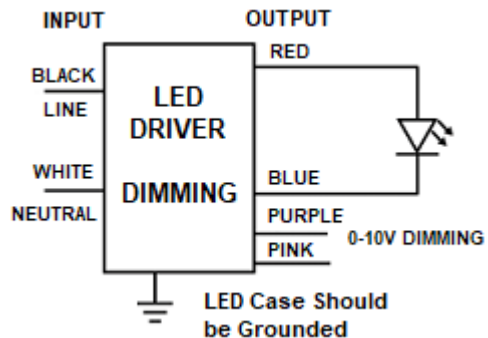
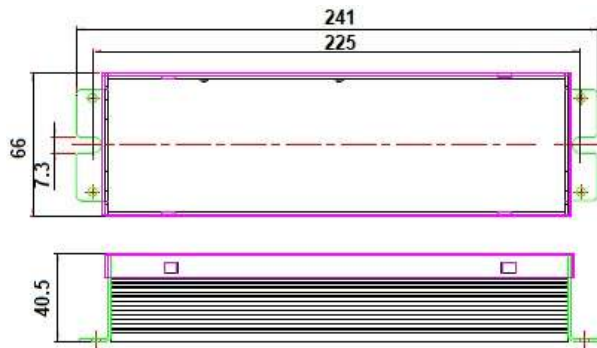
Case Size: Series FS5

Due to continuing efforts to offer improved products all specifications are subject to change without prior notice

INPUT VOLTAGE	INPUT CURRENT	INPUT WATTS	OUTPUT POWER WATTS MAX	OUTPUT VOLTAGE	OUTPUT CURRENT AMPS	MODEL
347V	0.62A	222	200	120V to 200V	1A	NC1000C200WSD

### LIMITED WARRANTY

5 YEAR at maximum case temperature 75 deg C. 3 YEAR at maximum case temperature 90 deg C. Manufacturer warrants to the purchaser: Product will be free from defects in material or workmanship from the date of manufacture conditioned upon proper storage, installation, use, and maintenance and conformance with any recommendations of Manufacturer



### Lead Length

Colour	inc	cm
Black	6	15.2
White	6	15.2
Blue	6	15.2
Red	6	15.2
Pink	7.1	18
Purple	7.1	18

### 0-10V Dimmer Compatibility Chart

LUTRON	LEVITON
NFTV	DS710-10Z
DVTV-WH	

### Case Size Series FS5

L	W	H	ML
241	66	40.5	226mm
9.5	2.6	1.6	8.9inch

**WARNING:** Always Disconnect Power Before Handling. Case Should be Grounded. Install in Accordance with National and Local Electrical Codes

# 347V LED DRIVER 200W 0-10V Dimming

Output Range 114V to 190V Constant Current **1050mA** Max **200W**

347V Electronic Constant Current LED Driver 0-10V Dimming. Output Range of 114V to 190V for Single circuit 200W maximum.

## Technical Specification:

UL, CUL Recognized, ROHS Compliant  
 EMI FCC Part 15, Class A  
 Rating: IP 65 Damp, Dry  
 Output Open/Short Protection  
 Min. Starting Temp: - 40° C  
 Max. Case Temp: 90° C  
 Typical Efficiency: 93%

Input Voltage range:  $\pm 10\%$   
 Output Load range:  $\pm 5\%$   
 Input Frequency: 50/60HZ  
 THD: < 20%  
 Power Factor Min: 0.90  
 Remote Wiring Distance Full Load: 18AWG -18 ft

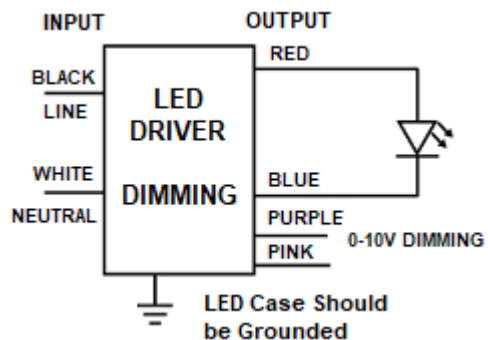
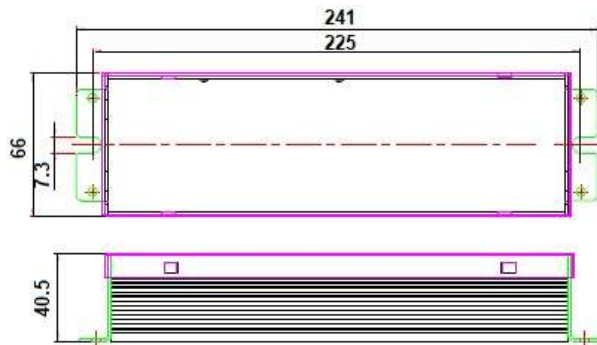
Case Size: Series FS5

Due to continuing efforts to offer improved products all specifications are subject to change without prior notice

INPUT VOLTAGE	INPUT CURRENT	INPUT WATTS	OUTPUT POWER WATTS MAX	OUTPUT VOLTAGE	OUTPUT CURRENT AMPS	MODEL
347V	0.62A	215	200	114 to 190V	1.05A	<b>NC1050C200WSD</b>

### LIMITED WARRANTY

5 YEAR at maximum case temperature 75 deg C. 3 YEAR at maximum case temperature 90 deg C. Manufacturer warrants to the purchaser: Product will be free from defects in material or workmanship from the date of manufacture conditioned upon proper storage, installation, use, and maintenance and conformance with any recommendations of Manufacturer



### Lead Length

Colour	inc	cm
Black	6	15.2
White	6	15.2
Blue	6	15.2
Red	6	15.2
Pink	7.1	18
Purple	7.1	18

### 0-10V Dimmer Compatibility Chart

LUTRON	LEVITON
NFTV	DS710-10Z
DVTV-WH	

### Case Size Series FS5

L	W	H	ML
241	66	40.5	226mm
9.5	2.6	1.6	8.9inch

**WARNING:** Always Disconnect Power Before Handling. Case Should be Grounded. Install in Accordance with National and Local Electrical Codes



# 347V LED DRIVER 200W 0-10V Dimming

## Output Range 86V to 143V Constant Current **1400mA** Max **200W**

347V Electronic Constant Current LED Driver 0-10V Dimming. Output Range of 86V to 143V for Single circuit 200W maximum.

### Technical Specification:

UL, CUL Recognized, ROHS Compliant  
 EMI FCC Part 15, Class A  
 Rating: IP 65 Damp, Dry  
 Output Open/Short Protection  
 Min. Starting Temp: - 40° C  
 Max. Case Temp: 90° C  
 Typical Efficiency: 93%

Input Voltage range:  $\pm 10\%$   
 Output Load range:  $\pm 5\%$   
 Input Frequency: 50/60HZ  
 THD: < 20%  
 Power Factor Min: 0.90  
 Remote Wiring Distance Full Load: 18AWG -18 ft

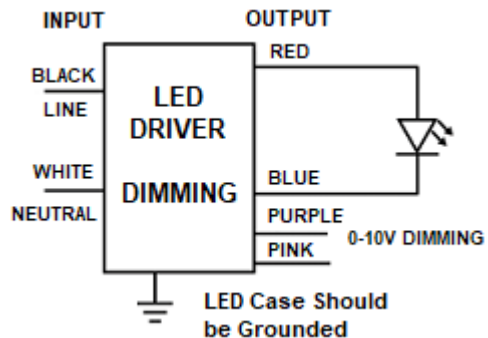
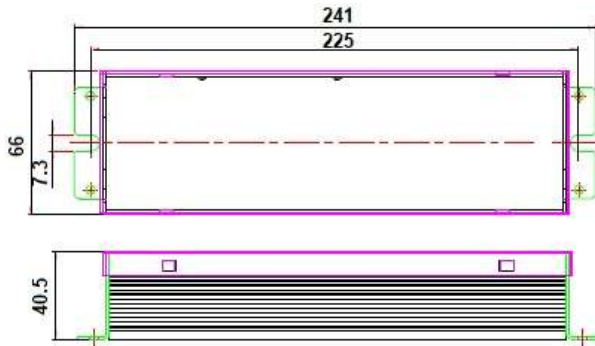
Case Size: Series FS5

Due to continuing efforts to offer improved products all specifications are subject to change without prior notice

INPUT VOLTAGE	INPUT CURRENT	INPUT WATTS	OUTPUT POWER WATTS MAX	OUTPUT VOLTAGE	OUTPUT CURRENT AMPS	MODEL
347V	0.62A	215	200	86 to 143V	1.4A	<b>NC1400C200WSD</b>

#### LIMITED WARRANTY

5 YEAR at maximum case temperature 75 deg C. 3 YEAR at maximum case temperature 90 deg C. Manufacturer warrants to the purchaser: Product will be free from defects in material or workmanship from the date of manufacture conditioned upon proper storage, installation, use, and maintenance and conformance with any recommendations of Manufacturer



#### Lead Length

Colour	inc	cm
Black	6	15.2
White	6	15.2
Blue	6	15.2
Red	6	15.2
Pink	7.1	18
Purple	7.1	18

#### 0-10V Dimmer Compatibility Chart

LUTRON	LEVITON
NFTV	DS710-10Z
DVTV-WH	

#### Case Size Series FS5

L	W	H	ML
241	66	40.5	226mm
9.5	2.6	1.6	8.9inch

**WARNING:** Always Disconnect Power Before Handling. Case Should be Grounded. Install in Accordance with National and Local Electrical Codes

# 347V LED DRIVER 56W 0-10V Dimming

## Output Range 22V to 37V Constant Current **1500mA** Max **56W**

347V Electronic Constant Current LED Driver 0-10V Dimming. Output Range of 22V to 37V for Single circuit 56W maximum.

### Technical Specification:

Class 2 UL, CUL Recognized, ROHS Compliant  
 EMI FCC Part 15, Class A  
 Rating: IP 65 Damp, Dry  
 Output Open/Short Protection  
 Min. Starting Temp: - 40° C  
 Max. Case Temp: 90° C  
 Efficiency: 89%

Input Voltage range:  $\pm 10\%$   
 Output Load range:  $\pm 5\%$   
 Input Frequency: 50/60HZ  
 THD: < 20%  
 Power Factor Min: 0.90  
 Remote Wiring Distance Full Load: 18AWG -18 ft Typical

**Case Size: Series MU2**

Due to continuing efforts to offer improved products all specifications are subject to change without prior notice

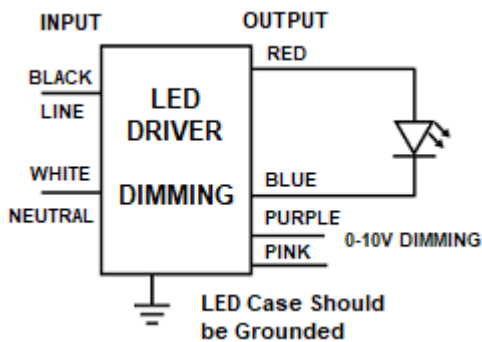
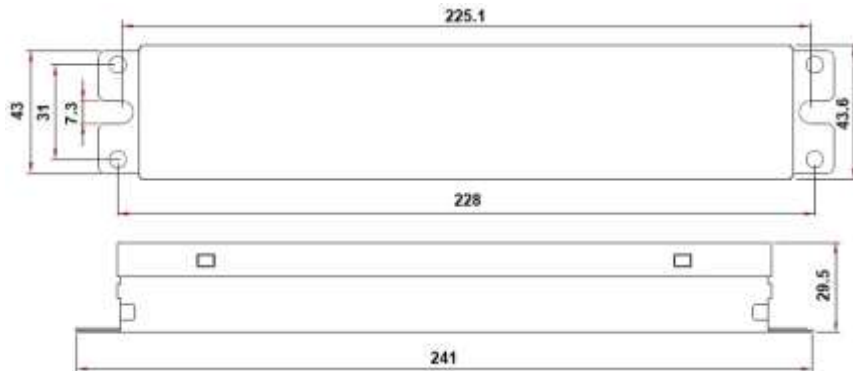
INPUT VOLTAGE	INPUT CURRENT	INPUT WATTS	OUTPUT POWER WATTS MAX	OUTPUT VOLTAGE	OUTPUT CURRENT AMPS	MODEL
347V	0.28A	62	56	22 to 37V	1.5A	<b>NC1500C56WSD</b>

#### LIMITED WARRANTY

5 YEAR at maximum case temperature 75 deg C. 3 YEAR at maximum case temperature 90 deg C. Manufacturer warrants to the purchaser: Product will be free from defects in material or workmanship from the date of manufacture conditioned upon proper storage, installation, use, and maintenance and conformance with any recommendations of Manufacturer

#### Lead Length

Colour	inc	cm
Black	6	15.2
White	6	15.2
Blue	6	15.2
Red	6	15.2
Pink	7.1	18
Purple	7.1	18



#### 0-10V Dimmer Compatibility Chart

LUTRON	LEVITON
NFTV	DS710-10Z
DVTV-WH	

#### Case Size Series MU2

L	W	H	ML
241	43	29.5	226mm
9.5	1.7	1.2	8.9 inch

**WARNING:** Always Disconnect Power Before Handling. Case Should be Grounded. Install in Accordance with National and Local Electrical Codes

# 347V LED DRIVER 60W 0-10V Dimming

Output Range 24V to 40V Constant Current **1500mA Max 60W**

347V Electronic Constant Current LED Driver 0-10V Dimming. Output Range of 24V to 40V for Single circuit 60W maximum.

## Technical Specification:

Class 2 UL, CUL Certified, ROHS Compliant  
 EMI FCC Part 15, Class A  
 Rating: IP 65 Damp, Dry  
 Output Open/Short Protection  
 Min. Starting Temp: - 40° C  
 Max. Case Temp: 90° C  
 Typical Efficiency: 87%

Input Voltage range:  $\pm 10\%$   
 Output Load range:  $\pm 5\%$   
 Input Frequency: 50/60HZ  
 THD: < 20%  
 Power Factor Min: 0.90  
 Remote Wiring Distance Full Load: 18AWG -18 ft

Case Size: Series MU2

Due to continuing efforts to offer improved products all specifications are subject to change without prior notice

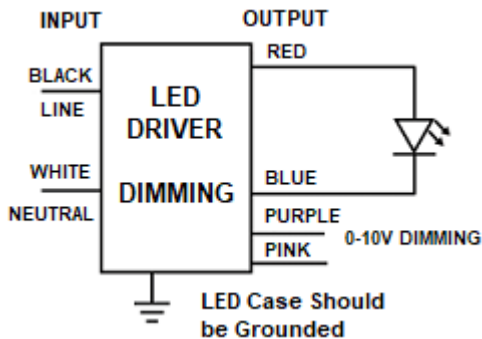
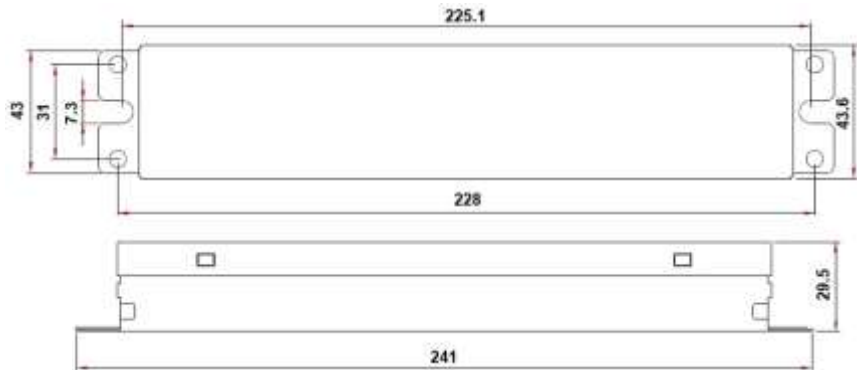
INPUT VOLTAGE	INPUT CURRENT	INPUT WATTS	OUTPUT POWER WATTS MAX	OUTPUT VOLTAGE	OUTPUT CURRENT AMPS	MODEL
347	0.20A	69	60	24 to 40V	1.5A	NC1500C60WSD

### LIMITED WARRANTY

5 YEAR at maximum case temperature 75 deg C. 3 YEAR at maximum case temperature 90 deg C. Manufacturer warrants to the purchaser: Product will be free from defects in material or workmanship from the date of manufacture conditioned upon proper storage, installation, use, and maintenance and conformance with any recommendations of Manufacturer

### Lead Length

Colour	inc	cm
Black	6	15.2
White	6	15.2
Blue	6	15.2
Red	6	15.2
Pink	7.1	18
Purple	7.1	18



### 0-10V Dimmer Compatibility Chart

LUTRON	LEVITON
NFTV	DS710-10Z
DVTV-WH	

### Case Size Series MU2

L	W	H	ML
241	43	29.5	226mm
9.5	1.7	1.2	8.9 inch

**WARNING:** Always Disconnect Power Before Handling. Case Should be Grounded. Install in Accordance with National and Local Electrical Codes

# 347V LED DRIVER 200W 0-10V Dimming

## Output Range 67V to 111V Constant Current **1800mA** Max **200W**

347V Electronic Constant Current LED Driver 0-10V Dimming. Output Range of 67V to 111V for Single circuit 200W maximum.

### Technical Specification:

UL, CUL Recognized, ROHS Compliant  
 EMI FCC Part 15, Class A  
 Rating: IP 65 Damp, Dry  
 Output Open/Short Protection  
 Min. Starting Temp: - 40° C  
 Max. Case Temp: 90° C  
 Typical Efficiency: 90%

Input Voltage range:  $\pm 10\%$   
 Output Load range:  $\pm 5\%$   
 Input Frequency: 50/60HZ  
 THD: < 20%  
 Power Factor Min: 0.90  
 Remote Wiring Distance Full Load: 18AWG -18 ft

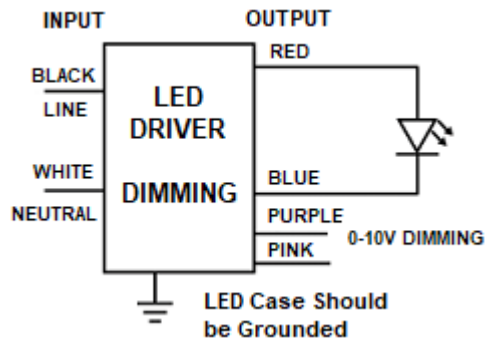
Case Size: Series FS5

Due to continuing efforts to offer improved products all specifications are subject to change without prior notice

INPUT VOLTAGE	INPUT CURRENT	INPUT WATTS	OUTPUT POWER WATTS MAX	OUTPUT VOLTAGE	OUTPUT CURRENT AMPS	MODEL
347V	0.64A	222	200	67 to 111V	1.8A	<b>NC1800C200WSD</b>

#### LIMITED WARRANTY

5 YEAR at maximum case temperature 75 deg C. 3 YEAR at maximum case temperature 90 deg C. Manufacturer warrants to the purchaser: Product will be free from defects in material or workmanship from the date of manufacture conditioned upon proper storage, installation, use, and maintenance and conformance with any recommendations of Manufacturer



#### Lead Length

Colour	inc	cm
Black	6	15.2
White	6	15.2
Blue	6	15.2
Red	6	15.2
Pink	7.1	18
Purple	7.1	18

#### 0-10V Dimmer Compatibility Chart

LUTRON	LEVITON
NFTV	DS710-10Z
DVTV-WH	

#### Case Size Series FS5

L	W	H	ML
241	66	40.5	226mm
9.5	2.6	1.6	8.9inch

**WARNING:** Always Disconnect Power Before Handling. Case Should be Grounded. Install in Accordance with National and Local Electrical Codes

# 347V LED DRIVER 200W 0-10V Dimming

## Output Range 57V to 95V Constant Current **2100mA** Max **200W**

347V Electronic Constant Current LED Driver 0-10V Dimming. Output Range of 57V to 95V for Single circuit 200W maximum.

### Technical Specification:

UL, CUL Recognized, ROHS Compliant  
 EMI FCC Part 15, Class A  
 Rating: IP 65 Damp, Dry  
 Output Open/Short Protection  
 Min. Starting Temp: - 40° C  
 Max. Case Temp: 90° C  
 Typical Efficiency: 90%

Input Voltage range:  $\pm 10\%$   
 Output Load range:  $\pm 5\%$   
 Input Frequency: 50/60HZ  
 THD: < 20%  
 Power Factor Min: 0.90  
 Remote Wiring Distance Full Load: 18AWG -18 ft

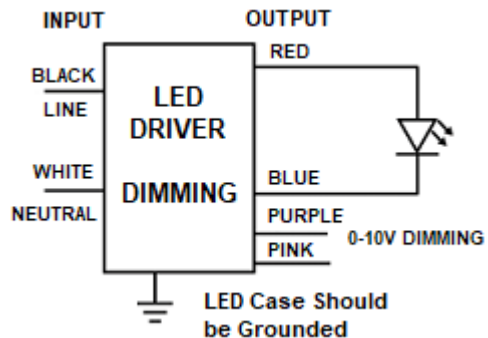
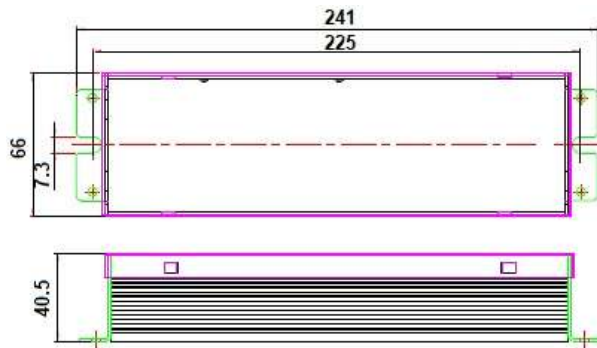
Case Size: Series FS5

Due to continuing efforts to offer improved products all specifications are subject to change without prior notice

INPUT VOLTAGE	INPUT CURRENT	INPUT WATTS	OUTPUT POWER WATTS MAX	OUTPUT VOLTAGE	OUTPUT CURRENT AMPS	MODEL
347V	0.62A	222	200	57 to 95V	2.1A	<b>NC2100C200WSD</b>

#### LIMITED WARRANTY

5 YEAR at maximum case temperature 75 deg C. 3 YEAR at maximum case temperature 90 deg C. Manufacturer warrants to the purchaser: Product will be free from defects in material or workmanship from the date of manufacture conditioned upon proper storage, installation, use, and maintenance and conformance with any recommendations of Manufacturer



#### Lead Length

Colour	inc	cm
Black	6	15.2
White	6	15.2
Blue	6	15.2
Red	6	15.2
Pink	7.1	18
Purple	7.1	18

#### 0-10V Dimmer Compatibility Chart

LUTRON	LEVITON
NFTV	DS710-10Z
DVTV-WH	

#### Case Size Series FS5

L	W	H	ML
241	66	40.5	226mm
9.5	2.6	1.6	8.9inch

**WARNING:** Always Disconnect Power Before Handling. Case Should be Grounded. Install in Accordance with National and Local Electrical Codes

# 347V LED DRIVER 100W 0-10V Dimming

Output Range 26V to 43V Constant Current **2300mA** Max **100W**

347V Electronic Constant Current LED Driver 0-10V Dimming. Output Range of 26V to 43V for Single Output circuit 100W maximum.

## Technical Specification:

UL, CUL Recognized, ROHS Compliant  
 EMI FCC Part 15, Class A  
 Rating: IP 65 Damp, Dry  
 Output Open/Short Protection  
 Min. Starting Temp: - 40° C  
 Max. Case Temp: 90° C  
 Typical Efficiency: 89%

Input Voltage range:  $\pm 10\%$   
 Output Load range:  $\pm 5\%$   
 Input Frequency: 50/60HZ  
 THD: < 20%  
 Power Factor Min: 0.90  
 Remote Wiring Distance Full Load: 18AWG -18 ft

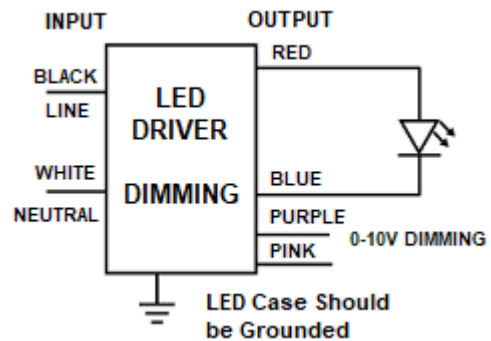
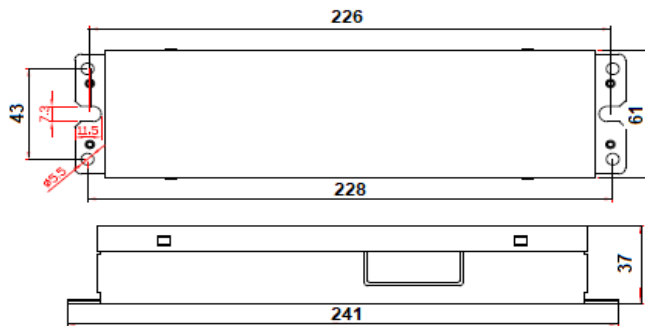
Case Size: Series FS3

Due to continuing efforts to offer improved products all specifications are subject to change without prior notice

INPUT VOLTAGE	INPUT CURRENT	INPUT WATTS	OUTPUT POWER WATTS MAX	OUTPUT VOLTAGE	OUTPUT CURRENT AMPS	MODEL
347V	0.5A	114	100	26 to 43V	2.3A	NC2300C100WSD

### LIMITED WARRANTY

5 YEAR at maximum case temperature 75 deg C. 3 YEAR at maximum case temperature 90 deg C. Manufacturer warrants to the purchaser: Product will be free from defects in material or workmanship from the date of manufacture conditioned upon proper storage, installation, use, and maintenance and conformance with any recommendations of Manufacturer



### Lead Length

Colour	inc	cm
Black	6	15.2
White	6	15.2
Blue	6	15.2
Red	6	15.2
Pink	7.1	18
Purple	7.1	18

### 0-10V Dimmer Compatibility Chart

LUTRON	LEVITON
NFTV	DS710-10Z
DVTV-WH	

### Case Size Series FS3

L	W	H	ML
241	61	37	226mm
9.5	2.4	1.46	8.9inch

**WARNING:** Always Disconnect Power Before Handling. Case Should be Grounded. Install in Accordance with National and Local Electrical Codes

# 347V LED DRIVER 200W 0-10V Dimming

## Output Range 48V to 80V Constant Current 2500mA Max 200W

347V Electronic Constant Current LED Driver 0-10V Dimming. Output Range of 48V to 80V for Single circuit 200W maximum.

### Technical Specification:

UL, CUL Recognized, ROHS Compliant  
 EMI FCC Part 15, Class A  
 Rating: IP 65 Damp, Dry  
 Output Open/Short Protection  
 Min. Starting Temp: - 40° C  
 Max. Case Temp: 90° C  
 Typical Efficiency: 90%

Input Voltage range:  $\pm 10\%$   
 Output Load range:  $\pm 5\%$   
 Input Frequency: 50/60HZ  
 THD: < 20%  
 Power Factor Min: 0.90  
 Remote Wiring Distance Full Load: 18AWG -18 ft

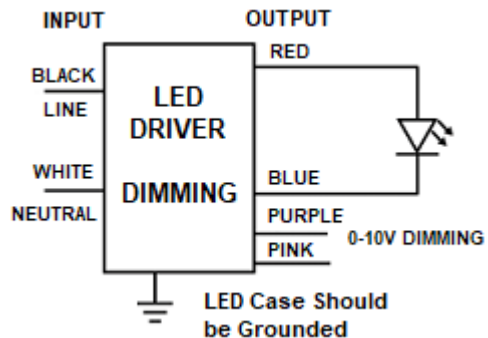
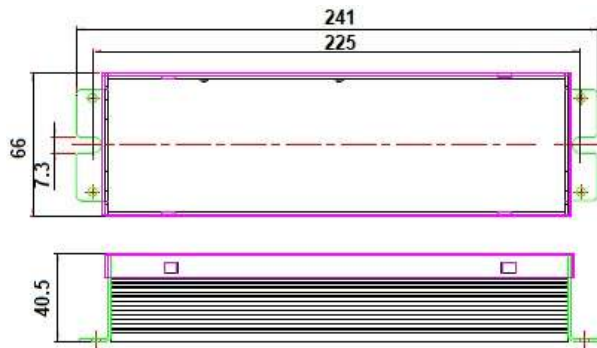
Case Size: Series FS5

Due to continuing efforts to offer improved products all specifications are subject to change without prior notice

INPUT VOLTAGE	INPUT CURRENT	INPUT WATTS	OUTPUT POWER WATTS MAX	OUTPUT VOLTAGE	OUTPUT CURRENT AMPS	MODEL
347V	0.62A	222	200	48 to 80V	2.5A	NC2500C200WSD

#### LIMITED WARRANTY

5 YEAR at maximum case temperature 75 deg C. 3 YEAR at maximum case temperature 90 deg C. Manufacturer warrants to the purchaser: Product will be free from defects in material or workmanship from the date of manufacture conditioned upon proper storage, installation, use, and maintenance and conformance with any recommendations of Manufacturer



#### Lead Length

Colour	inc	cm
Black	6	15.2
White	6	15.2
Blue	6	15.2
Red	6	15.2
Pink	7.1	18
Purple	7.1	18

#### 0-10V Dimmer Compatibility Chart

LUTRON	LEVITON
NFTV	DS710-10Z
DVTV-WH	

#### Case Size Series FS5

L	W	H	ML
241	66	40.5	226mm
9.5	2.6	1.6	8.9inch

**WARNING:** Always Disconnect Power Before Handling. Case Should be Grounded. Install in Accordance with National and Local Electrical Codes

# 347V LED DRIVER 200W 0-10V Dimming

## Output Range 43V to 71V Constant Current **2800mA** Max **200W**

347V Electronic Constant Current LED Driver 0-10V Dimming. Output Range of 43V to 71V for Single circuit 200W maximum.

### Technical Specification:

UL, CUL Recognized, ROHS Compliant  
 EMI FCC Part 15, Class A  
 Rating: IP 65 Damp, Dry  
 Output Open/Short Protection  
 Min. Starting Temp: - 40° C  
 Max. Case Temp: 90° C  
 Typical Efficiency: 90%

Input Voltage range:  $\pm 10\%$   
 Output Load range:  $\pm 5\%$   
 Input Frequency: 50/60HZ  
 THD: < 20%  
 Power Factor Min: 0.90  
 Remote Wiring Distance Full Load: 18AWG -18 ft

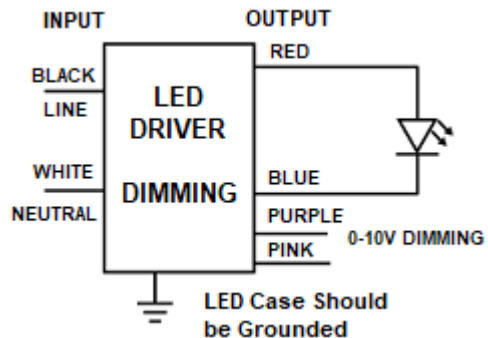
Case Size: Series FS5

Due to continuing efforts to offer improved products all specifications are subject to change without prior notice

INPUT VOLTAGE	INPUT CURRENT	INPUT WATTS	OUTPUT POWER WATTS MAX	OUTPUT VOLTAGE	OUTPUT CURRENT AMPS	MODEL
347V	0.62A	222	200	43 to 71V	2.8A	<b>NC2800C200WSD</b>

#### LIMITED WARRANTY

5 YEAR at maximum case temperature 75 deg C. 3 YEAR at maximum case temperature 90 deg C. Manufacturer warrants to the purchaser: Product will be free from defects in material or workmanship from the date of manufacture conditioned upon proper storage, installation, use, and maintenance and conformance with any recommendations of Manufacturer



#### Lead Length

Colour	inc	cm
Black	6	15.2
White	6	15.2
Blue	6	15.2
Red	6	15.2
Pink	7.1	18
Purple	7.1	18

#### 0-10V Dimmer Compatibility Chart

LUTRON	LEVITON
NFTV	DS710-10Z
DVTV-WH	

#### Case Size Series FS5

L	W	H	ML
241	66	40.5	226mm
9.5	2.6	1.6	8.9inch

**WARNING:** Always Disconnect Power Before Handling. Case Should be Grounded. Install in Accordance with National and Local Electrical Codes



# 347V LED DRIVER 200W 0-10V Dimming

## Output Range 40V to 66V Constant Current **3000mA** Max **200W**

347V Electronic Constant Current LED Driver 0-10V Dimming. Output Range of 40V to 66V for Single circuit 200W maximum.

### Technical Specification:

UL, CUL Recognized, ROHS Compliant  
 EMI FCC Part 15, Class A  
 Rating: IP 65 Damp, Dry  
 Output Open/Short Protection  
 Min. Starting Temp: - 40° C  
 Max. Case Temp: 90° C  
 Typical Efficiency: 90%

Input Voltage range:  $\pm 10\%$   
 Output Load range:  $\pm 5\%$   
 Input Frequency: 50/60HZ  
 THD: < 20%  
 Power Factor Min: 0.90  
 Remote Wiring Distance Full Load: 18AWG -18 ft

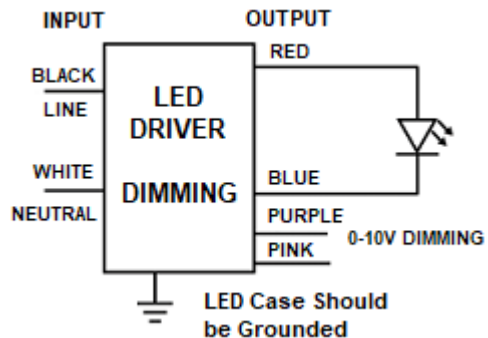
Case Size: Series FS5

Due to continuing efforts to offer improved products all specifications are subject to change without prior notice

INPUT VOLTAGE	INPUT CURRENT	INPUT WATTS	OUTPUT POWER WATTS MAX	OUTPUT VOLTAGE	OUTPUT CURRENT AMPS	MODEL
347V	0.62A	222	200	40 to 66V	3A	<b>NC3000C200WSD</b>

#### LIMITED WARRANTY

5 YEAR at maximum case temperature 75 deg C. 3 YEAR at maximum case temperature 90 deg C. Manufacturer warrants to the purchaser: Product will be free from defects in material or workmanship from the date of manufacture conditioned upon proper storage, installation, use, and maintenance and conformance with any recommendations of Manufacturer



#### Lead Length

Colour	inc	cm
Black	6	15.2
White	6	15.2
Blue	6	15.2
Red	6	15.2
Pink	7.1	18
Purple	7.1	18

#### 0-10V Dimmer Compatibility Chart

LUTRON	LEVITON
NFTV	DS710-10Z
DVTV-WH	

#### Case Size Series FS5

L	W	H	ML
241	66	40.5	226mm
9.5	2.6	1.6	8.9inch

**WARNING:** Always Disconnect Power Before Handling. Case Should be Grounded. Install in Accordance with National and Local Electrical Codes

# 347V LED DRIVER 200W 0-10V Dimming

## Output Range 34V to 57V Constant Current **3500mA** Max **200W**

347V Electronic Constant Current LED Driver 0-10V Dimming. Output Range of 34V to 57V for Single circuit 200W maximum.

### Technical Specification:

UL, CUL Recognized, ROHS Compliant  
 EMI FCC Part 15, Class A  
 Rating: IP 65 Damp, Dry  
 Output Open/Short Protection  
 Min. Starting Temp: - 40° C  
 Max. Case Temp: 90° C  
 Typical Efficiency: 90%

Input Voltage range:  $\pm 10\%$   
 Output Load range:  $\pm 5\%$   
 Input Frequency: 50/60HZ  
 THD: < 20%  
 Power Factor Min: 0.90  
 Remote Wiring Distance Full Load: 18AWG -18 ft

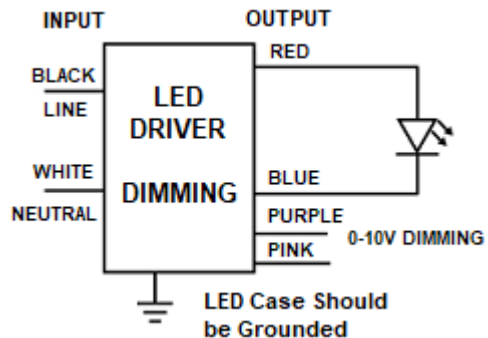
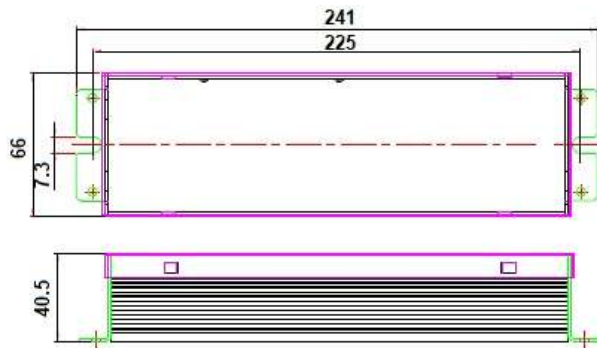
Case Size: Series FS5

Due to continuing efforts to offer improved products all specifications are subject to change without prior notice

INPUT VOLTAGE	INPUT CURRENT	INPUT WATTS	OUTPUT POWER WATTS MAX	OUTPUT VOLTAGE	OUTPUT CURRENT AMPS	MODEL
347V	0.64A	222	200	34 to 57V	3.5A	<b>NC3500C200WSD</b>

#### LIMITED WARRANTY

5 YEAR at maximum case temperature 75 deg C. 3 YEAR at maximum case temperature 90 deg C. Manufacturer warrants to the purchaser: Product will be free from defects in material or workmanship from the date of manufacture conditioned upon proper storage, installation, use, and maintenance and conformance with any recommendations of Manufacturer



#### Lead Length

Colour	inc	cm
Black	6	15.2
White	6	15.2
Blue	6	15.2
Red	6	15.2
Pink	7.1	18
Purple	7.1	18

#### 0-10V Dimmer Compatibility Chart

LUTRON	LEVITON
NFTV	DS710-10Z
DVTV-WH	

#### Case Size Series FS5

L	W	H	ML
241	66	40.5	226mm
9.5	2.6	1.6	8.9inch

**WARNING:** Always Disconnect Power Before Handling. Case Should be Grounded. Install in Accordance with National and Local Electrical Codes

# Sage

## **120-277V** **Dimmable** **Fixed Current** **LED Drivers**

Sage offers a large selection of 120-277V Dimmable fixed Current LED Drivers. Most of these drivers are available in multiple Form factor and output values and are designed for a select group of OEM Fixture manufactures. These drivers provide flexibility and choices for Fixture Manufacturers to offer wide range of luminaires.

It is also easy to combine into common dimming systems accessible in commercial applications.

Output Current: from 300mA to 5000mA



# LED DRIVER 17W 0-10V Dimming

Output Range 33V to 55V Constant Current **300mA** Max **17W**

Compact Case Size with Bottom Mount Studs with leads No Mounting Flange

Universal Voltage 120-277V Electronic Constant Current LED Driver 0-10V Dimming. Output Range of 33V to 55V for Single circuit 17W maximum.

## Technical Specification:

Class 2 UL, CUL Recognized, ROHS Compliant

EMI FCC Part 15, Class A

Rating: IP 65 Damp, Dry

Output Open/Short Protection

Min. Starting Temp: - 40° C

Max. Case Temp: 90° C

Typical Efficiency: 85%

Input Voltage range:  $\pm 10\%$

Output Load range  $\pm 5\%$

Input Frequency: 50/60HZ

THD: < 20%

Power Factor Min: 0.90

Remote Wiring Distance Full Load: 18AWG -18 ft

Bottom Mount Studs

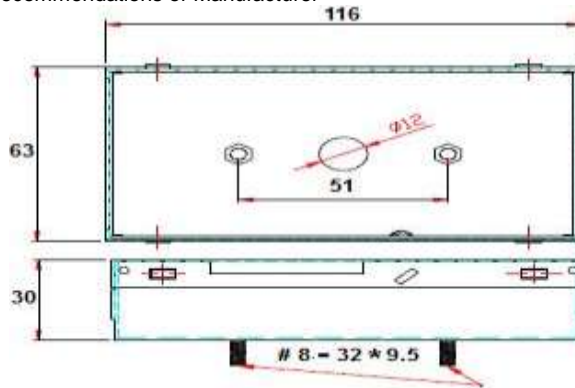
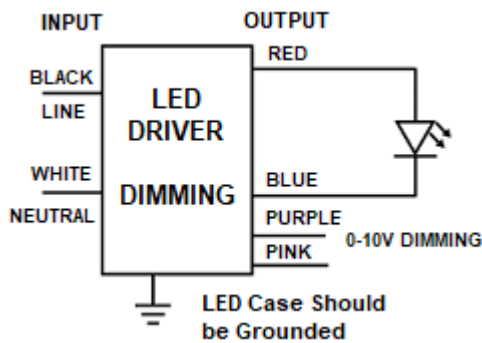
Case Size: Series C1B

Due to continuing efforts to offer improved products all specifications are subject to change without prior notice

INPUT VOLTAGE	INPUT CURRENT	INPUT WATTS	OUTPUT POWER WATTS MAX	OUTPUT VOLTAGE	OUTPUT CURRENT AMPS	MODEL
120	0.44A	20	17	33 to 55V	0.3A	NU300C17WSBD
277	0.19A					

### LIMITED WARRANTY

5 YEAR at maximum case temperature 75 deg C. 3 YEAR at maximum case temperature 90 deg C. Manufacturer warrants to the purchaser: Product will be free from defects in material or workmanship from the date of manufacture conditioned upon proper storage, installation, use, and maintenance and conformance with any recommendations of Manufacturer



### Lead Length

Colour	inc	cm
Black	6	15.2
White	6	15.2
Blue	6	15.2
Red	6	15.2
Pink	7.1	18
Purple	7.1	18

### 0-10V Dimmer Compatibility Chart

LUTRON	LEVITON
NFTV	DS710-10Z
DVTV-WH	

### Case Size Series C1B

L	W	H
116	63	30mm
4.56	2.48	1.18inch

**WARNING:** Always Disconnect Power Before Handling. Case Should be Grounded. Install in Accordance with National and Local Electrical Codes

901 - 3rd Street West, North Vancouver, BC V7P 3P9 Canada

TEL: 604-904-9533

www.sagedrivers.com www.sagelighting.com

*Sage*  
Lighting Ltd.

# LED DRIVER 18W 0-10V Dimming

Output Range 36V to 60V Constant Current **300mA** Max **18W**

Compact Case with leads

Universal Voltage 120-277V Electronic Constant Current LED Driver 0-10V Dimming. Output Range of 36V to 60V for Single Output circuit 18W maximum.

## Technical Specification:

UL, CUL Recognized, ROHS Compliant

EMI FCC Part 15, Class A

Rating: IP 65 Damp, Dry

Output Open/Short Protection

Min. Starting Temp: - 40° C

Max. Case Temp: 90° C

Typical Efficiency: 86%

Input Voltage range:  $\pm 10\%$

Output Load range:  $\pm 5\%$

Input Frequency: 50/60HZ

THD: < 20%

Power Factor Min: 0.90

Remote Wiring Distance Full Load: 18AWG - 18 ft

Case Size: Series C1U

Due to continuing efforts to offer improved products all specifications are subject to change without prior notice

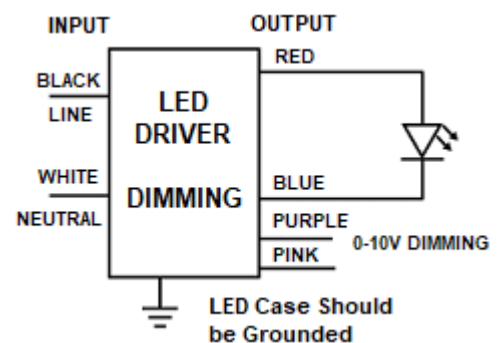
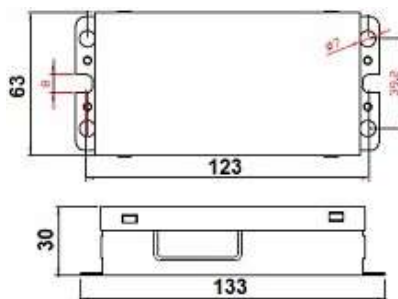
INPUT VOLTAGE	INPUT CURRENT	INPUT WATTS	OUTPUT POWER WATTS MAX	OUTPUT VOLTAGE	OUTPUT CURRENT AMPS	MODEL
120	0.14A	21	18	36 to 60V	0.3A	<b>NU300C18WSD</b>
277	0.17A					

### LIMITED WARRANTY

5 YEAR at maximum case temperature 75 deg C. 3 YEAR at maximum case temperature 90 deg C. Manufacturer warrants to the purchaser: Product will be free from defects in material or workmanship from the date of manufacture conditioned upon proper storage, installation, use, and maintenance and conformance with any recommendations of Manufacturer

### Lead Length

Colour	inc	cm
Black	6	15.2
White	6	15.2
Blue	6	15.2
Red	6	15.2
Pink	7.1	18
Purple	7.1	18



### 0-10V Dimmer Compatibility Chart

LUTRON	LEVITON
NFTV	DS710-10Z
DVTV-WH	

### Case Size Series C1U

L	W	H	ML
133	63	30	123mm
5.23	2.48	1.18	4.84inch

**WARNING:** Always Disconnect Power Before Handling. Case Should be Grounded. Install in Accordance with National and Local Electrical Codes

# LED DRIVER 39W 0-10V Dimming

Output Range 76V-128V Constant Current **300mA** Max **39W**

Universal Voltage 120-277V Electronic Constant Current LED Driver 0-10V Dimming. Output Range of 76V-128V for Single circuit 39W maximum.

## Technical Specification:

UL, CUL Recognized, ROHS Compliant  
 EMI FCC Part 15, Class A  
 Rating: IP 65 Damp, Dry  
 Output Open/Short Protection  
 Min. Starting Temp: - 40° C  
 Max. Case Temp: 90° C  
 Typical Efficiency: 87%

Input Voltage range:  $\pm 10\%$   
 Output Load range:  $\pm 5\%$   
 Input Frequency: 50/60HZ  
 THD: < 20%  
 Power Factor Min: 0.90  
 Remote Wiring Distance Full Load: 18AWG -18 ft

Case Size: Series MU2

Due to continuing efforts to offer improved products all specifications are subject to change without prior notice

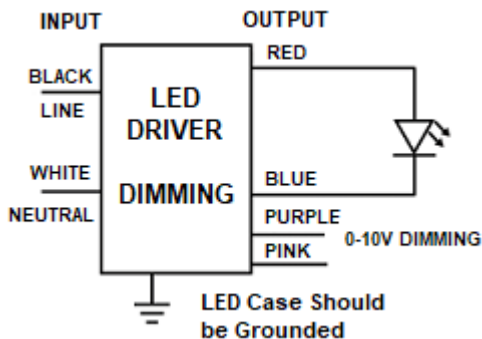
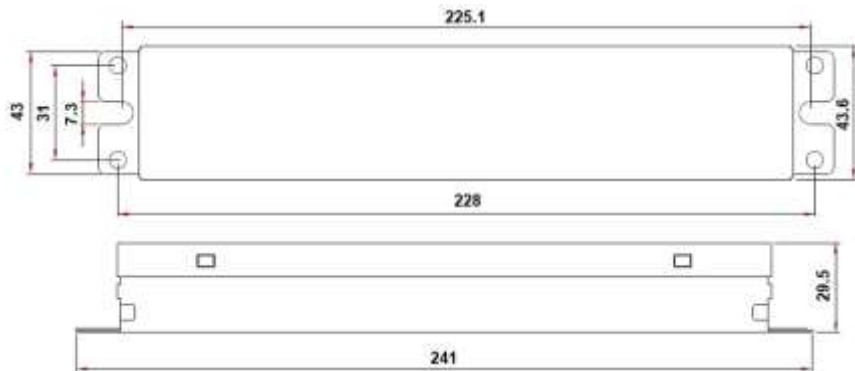
INPUT VOLTAGE	INPUT CURRENT	INPUT WATTS	OUTPUT POWER WATTS MAX	OUTPUT VOLTAGE	OUTPUT CURRENT AMPS	MODEL
120	0.4A	45	39	76 to 128V	0.3A	NU300C39WSD
277	0.17A					

### LIMITED WARRANTY

5 YEAR at maximum case temperature 75 deg C. 3 YEAR at maximum case temperature 90 deg C. Manufacturer warrants to the purchaser: Product will be free from defects in material or workmanship from the date of manufacture conditioned upon proper storage, installation, use, and maintenance and conformance with any recommendations of Manufacturer

### Lead Length

Colour	inc	cm
Black	6	15.2
White	6	15.2
Blue	6	15.2
Red	6	15.2
Pink	7.1	18
Purple	7.1	18



### 0-10V Dimmer Compatibility Chart

LUTRON	LEVITON
NFTV	DS710-10Z
DVTV-WH	

### Case Size Series MU2

L	W	H	ML
241	43	29.5	226mm
9.5	1.7	1.2	8.9 inch

**WARNING:** Always Disconnect Power Before Handling. Case Should be Grounded. Install in Accordance with National and Local Electrical Codes

# LED DRIVER 6.6W 0-10V Dimming

Output Range 12V to 19V Constant Current **350mA** Max **6.6W**

Small Case Size with leads

Universal Voltage 120-277V Electronic Constant Current LED Driver 0-10V Dimming. Output Range of 12V to 19V for Single circuit 6.6W maximum.

## Technical Specification:

Class 2 UL, CUL Recognized, ROHS Compliant  
 EMI FCC Part 15, Class A  
 Rating: IP 65 Damp, Dry  
 Output Open/Short Protection  
 Min. Starting Temp: - 40° C  
 Max. Case Temp: 90° C  
 Typical Efficiency: 80%

Input Voltage range:  $\pm 10\%$   
 Output Load range:  $\pm 5\%$   
 Input Frequency: 50/60HZ  
 THD: < 20%  
 Power Factor Min: 0.95  
 Remote Wiring Distance Full Load: 18AWG -18 ft

Case Size: Series C1U

Due to continuing efforts to offer improved products all specifications are subject to change without prior notice

2/5/18

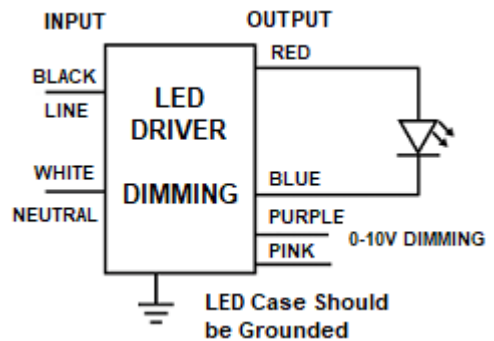
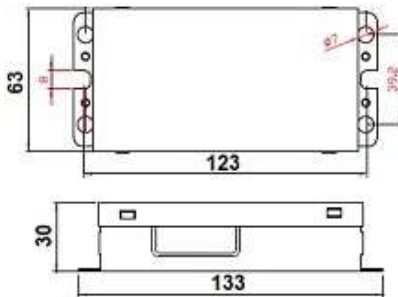
INPUT VOLTAGE	INPUT CURRENT	INPUT WATTS	OUTPUT POWER WATTS MAX	OUTPUT VOLTAGE	OUTPUT CURRENT AMPS	MODEL
120	0.08A	9	6.6	12 to 19V	0.35A	<b>NU350C6WSDIM</b>
277	0.03A					

### LIMITED WARRANTY

5 YEAR at maximum case temperature 75 deg C. 3 YEAR at maximum case temperature 90 deg C. Manufacturer warrants to the purchaser: Product will be free from defects in material or workmanship from the date of manufacture conditioned upon proper storage, installation, use, and maintenance and conformance with any recommendations of Manufacturer

### Lead Length

Colour	inc	cm
Black	6	15.2
White	6	15.2
Blue	6	15.2
Red	6	15.2
Pink	7.1	18
Purple	7.1	18



### 0-10V Dimmer Compatibility Chart

LUTRON	LEVITON
NFTV	DS710-10Z
DVTV-WH	

### Case Size Series C1U

L	W	H	ML
133	63	30	123mm
5.23	2.48	1.18	4.84inch

**WARNING:** Always Disconnect Power Before Handling. Case Should be Grounded. Install in Accordance with National and Local Electrical Codes



# LED DRIVER 25W 0-10V Dimming

Output Range 43V to 72V Constant Current **350mA** Max **25W**

Compact Case with leads

Universal Voltage 120-277V Electronic Constant Current LED Driver 0-10V Dimming. Output Range of 43V to 72V for Single Output circuit 25W maximum.

## Technical Specification:

UL, CUL Recognized, ROHS Compliant  
 EMI FCC Part 15, Class A  
 Rating: IP 65 Damp, Dry  
 Output Open/Short Protection  
 Min. Starting Temp: - 40° C  
 Max. Case Temp: 90° C  
 Typical Efficiency: 86%

Input Voltage range:  $\pm 10\%$   
 Output Load range:  $\pm 5\%$   
 Input Frequency: 50/60HZ  
 THD: < 20%  
 Power Factor Min: 0.90  
 Remote Wiring Distance Full Load: 18AWG - 18 ft

Case Size: Series C1U

Due to continuing efforts to offer improved products all specifications are subject to change without prior notice

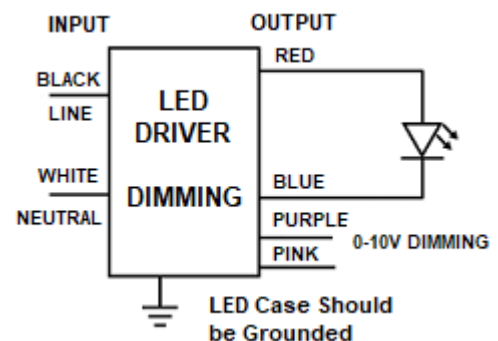
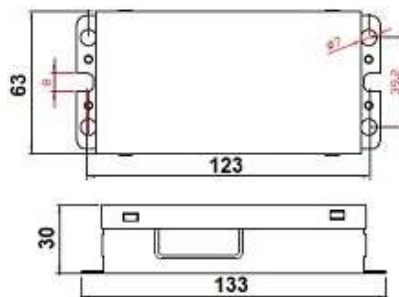
INPUT VOLTAGE	INPUT CURRENT	INPUT WATTS	OUTPUT POWER WATTS MAX	OUTPUT VOLTAGE	OUTPUT CURRENT AMPS	MODEL
120	0.40A	30	25	43 to 72V	0.35A	NU350C25WSD
277	0.17A					

### LIMITED WARRANTY

5 YEAR at maximum case temperature 75 deg C. 3 YEAR at maximum case temperature 90 deg C. Manufacturer warrants to the purchaser: Product will be free from defects in material or workmanship from the date of manufacture conditioned upon proper storage, installation, use, and maintenance and conformance with any recommendations of Manufacturer

### Lead Length

Colour	inc	cm
Black	6	15.2
White	6	15.2
Blue	6	15.2
Red	6	15.2
Pink	7.1	18
Purple	7.1	18



### 0-10V Dimmer Compatibility Chart

LUTRON	LEVITON
NFTV	DS710-10Z
DVTV-WH	

### Case Size Series C1U

L	W	H	ML
133	63	30	123mm
5.23	2.48	1.18	4.84inch

**WARNING:** Always Disconnect Power Before Handling. Case Should be Grounded. Install in Accordance with National and Local Electrical Codes

# LED DRIVER 30W 0-10V Dimming

Output Range 51V to 85V Constant Current **350mA** Max **30W**

Universal Voltage 120-277V Electronic Constant Current LED Driver 0-10V Dimming. Output Range of 51V to 85V for Single circuit 30W maximum.

## Technical Specification:

UL, CUL Recognized, ROHS Compliant  
 EMI FCC Part 15, Class A  
 Rating: IP 65 Damp, Dry  
 Output Open/Short Protection  
 Min. Starting Temp: - 40° C  
 Max. Case Temp: 90° C  
 Typical Efficiency: 85%

Input Voltage range:  $\pm 10\%$   
 Output Load range  $\pm 5\%$   
 Input Frequency: 50/60HZ  
 THD: < 20%  
 Power Factor Min: 0.90  
 Remote Wiring Distance Full Load: 18AWG -18 ft

Case Size: Series MU2

Due to continuing efforts to offer improved products all specifications are subject to change without prior notice

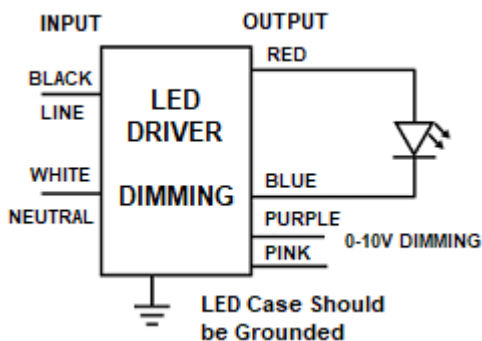
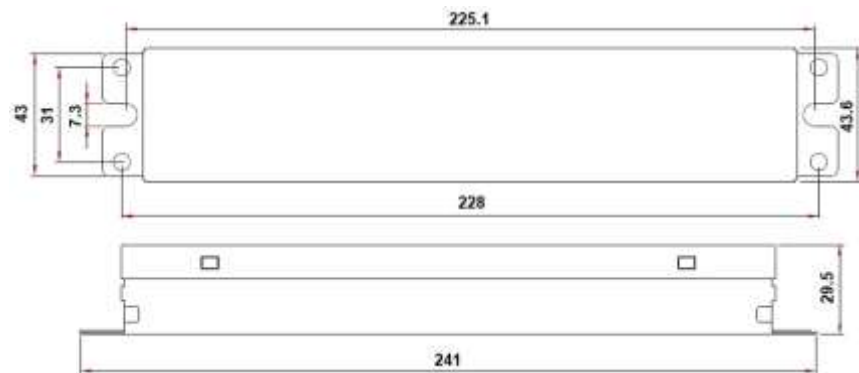
INPUT VOLTAGE	INPUT CURRENT	INPUT WATTS	OUTPUT POWER WATTS MAX	OUTPUT VOLTAGE	OUTPUT CURRENT AMPS	MODEL
120	0.60A	35	30	51 to 85V	0.35A	NU350C30WSD
277	0.26A					

### LIMITED WARRANTY

5 YEAR at maximum case temperature 75 deg C. 3 YEAR at maximum case temperature 90 deg C. Manufacturer warrants to the purchaser: Product will be free from defects in material or workmanship from the date of manufacture conditioned upon proper storage, installation, use, and maintenance and conformance with any recommendations of Manufacturer

### Lead Length

Colour	inc	cm
Black	6	15.2
White	6	15.2
Blue	6	15.2
Red	6	15.2
Pink	7.1	18
Purple	7.1	18



### 0-10V Dimmer Compatibility Chart

LUTRON	LEVITON
NFTV	DS710-10Z
DVTV-WH	

### Case Size Series MU2

L	W	H	ML
241	43	29.5	226mm
9.5	1.7	1.2	8.9 inch

**WARNING:** Always Disconnect Power Before Handling. Case Should be Grounded. Install in Accordance with National and Local Electrical Codes

# LED DRIVER 40W 0-10V Dimming

Output Range 68V-114V Constant Current **350mA** Max **40W**

Small Case Size with Side Exit leads

Universal Voltage 120-277V Electronic Constant Current LED Driver 0-10V Dimming. Output Range of 68V-114V for Single circuit 40W maximum.

## Technical Specification:

UL, CUL Recognized, ROHS Compliant

EMI FCC Part 15, Class A

Rating: IP 65 Damp, Dry

Output Open/Short Protection

Min. Starting Temp: -40°C

Max. Case Temp: 90°C

Typical Efficiency: 86%

Input Voltage range:  $\pm 10\%$

Output Load range:  $\pm 5\%$

Input Frequency: 50/60HZ

THD: < 20%

Power Factor Min: 0.90

Remote Wiring Distance Full Load: 18AWG -18 ft

Case Size: Series C4S

Due to continuing efforts to offer improved products all specifications are subject to change without prior notice

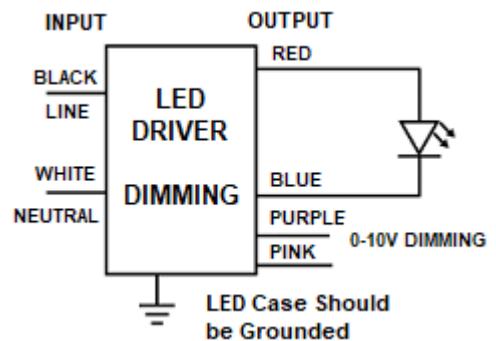
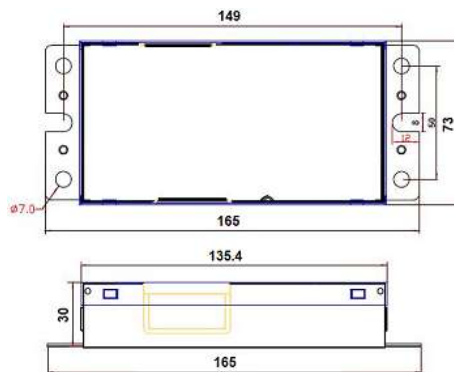
5/8/22

INPUT VOLTAGE	INPUT CURRENT	INPUT WATTS	OUTPUT POWER WATTS MAX	OUTPUT VOLTAGE	OUTPUT CURRENT AMPS	MODEL
120	0.4A	45	40	68 to 114V	0.35A	NU350C40WSDIM
277	0.17A					

### LIMITED WARRANTY

5 YEAR at maximum case temperature 75 deg C. 3 YEAR at maximum case temperature 90 deg C. Manufacturer warrants to the purchaser: Product will be free from defects in material or workmanship from the date of manufacture conditioned upon proper storage, installation, use, and maintenance and conformance with any recommendations of Manufacturer

Lead Length		
Colour	inc	cm
Black	6	15.2
White	6	15.2
Blue	6	15.2
Red	6	15.2
Pink	7.1	18
Purple	7.1	18



### 0-10V Dimmer Compatibility Chart

LUTRON	LEVITON
NFTV	DS710-10Z
DVTV-WH	

Case Size Series C4S			
L	W	H	ML
165	73	30	149mm
6.5	2.87	1.18	5.9inch

**WARNING:** Always Disconnect Power Before Handling. Case Should be Grounded. Install in Accordance with National and Local Electrical Codes

# LED DRIVER 50W 0-10V Dimming

Output Range 86V-143V Constant Current **350mA** Max **50W**

Small Case Size with leads

Universal Voltage 120-277V Electronic Constant Current LED Driver 0-10V Dimming. Output Range of 86V to 143V for Single circuit 50W maximum.

## Technical Specification:

UL, CUL Recognized, ROHS Compliant  
 EMI FCC Part 15, Class A  
 Rating: IP 65 Damp, Dry  
 Output Open/Short Protection  
 Min. Starting Temp: - 40° C  
 Max. Case Temp: 90° C  
 Typical Efficiency: 92%

Input Voltage range:  $\pm 10\%$   
 Output Load range  $\pm 5\%$   
 Input Frequency: 50/60HZ  
 THD: < 20%  
 Power Factor Min: 0.90  
 Remote Wiring Distance Full Load: 18AWG -18 ft

Case Size: Series C4S

Due to continuing efforts to offer improved products all specifications are subject to change without prior notice

3/10/22

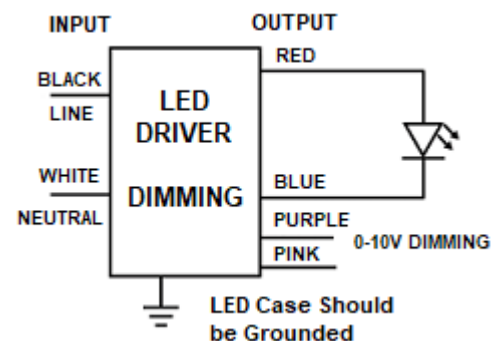
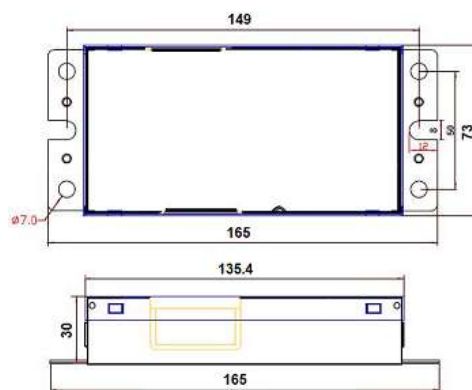
INPUT VOLTAGE	INPUT CURRENT	INPUT WATTS	OUTPUT POWER WATTS MAX	OUTPUT VOLTAGE	OUTPUT CURRENT AMPS	MODEL
120	0.51A	55	50	86 to 143V	0.35A	NU350C50WSDIM
277	0.22A					

### LIMITED WARRANTY

5 YEAR at maximum case temperature 75 deg C. 3 YEAR at maximum case temperature 90 deg C. Manufacturer warrants to the purchaser: Product will be free from defects in material or workmanship from the date of manufacture conditioned upon proper storage, installation, use, and maintenance and conformance with any recommendations of Manufacturer

### Lead Length

Colour	inc	cm
Black	6	15.2
White	6	15.2
Blue	6	15.2
Red	6	15.2
Pink	7.1	18
Purple	7.1	18



### 0-10V Dimmer Compatibility Chart

LUTRON	LEVITON
NFTV	DS710-10Z
DVTV-WH	

### Case Size Series C4S

L	W	H	ML
165	73	30	149mm
6.5	2.87	1.18	5.9inch

**WARNING:** Always Disconnect Power Before Handling. Case Should be Grounded. Install in Accordance with National and Local Electrical Codes

# LED DRIVER 60W 0-10V Dimming

Output Range 119V to 171V Constant Current **350mA** Max **60W**

Universal Voltage 120-277V Electronic Constant Current LED Driver 0-10V Dimming. Output Range of 119V to 171V for Single circuit 60W maximum.

## Technical Specification:

UL, CUL Recognized, ROHS Compliant  
 EMI FCC Part 15, Class A  
 Rating: IP 65 Damp, Dry  
 Output Open/Short Protection  
 Min. Starting Temp: - 40° C  
 Max. Case Temp: 90° C  
 Typical Efficiency: 89%

Input Voltage range:  $\pm 10\%$   
 Output Load range  $\pm 5\%$   
 Input Frequency: 50/60HZ  
 THD: < 20%  
 Power Factor Min: 0.90  
 Remote Wiring Distance Full Load: 18AWG -18 ft

Case Size: Series MU2

Due to continuing efforts to offer improved products all specifications are subject to change without prior notice

1/1/15

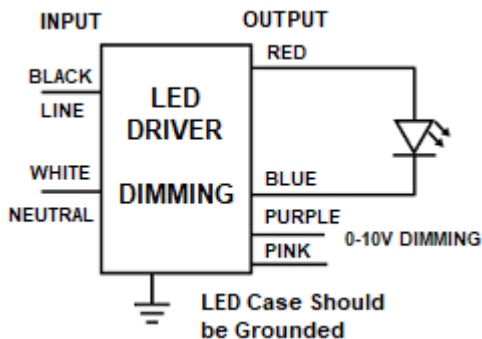
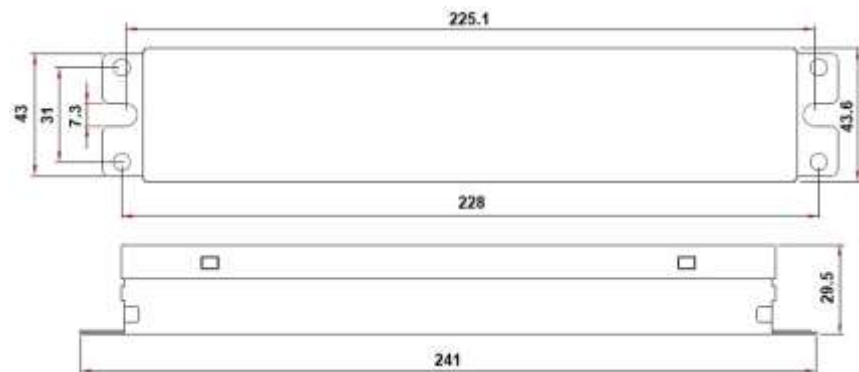
INPUT VOLTAGE	INPUT CURRENT	INPUT WATTS	OUTPUT POWER WATTS MAX	OUTPUT VOLTAGE	OUTPUT CURRENT AMPS	MODEL
120	0.60A	68	60	119 to 171V	0.35A	<b>NU350C60WSDIM</b>
277	0.26A					

### LIMITED WARRANTY

5 YEAR at maximum case temperature 75 deg C. 3 YEAR at maximum case temperature 90 deg C. Manufacturer warrants to the purchaser: Product will be free from defects in material or workmanship from the date of manufacture conditioned upon proper storage, installation, use, and maintenance and conformance with any recommendations of Manufacturer

### Lead Length

Colour	inc	cm
Black	6	15.2
White	6	15.2
Blue	6	15.2
Red	6	15.2
Pink	7.1	18
Purple	7.1	18



### 0-10V Dimmer Compatibility Chart

LUTRON	LEVITON
NFTV	DS710-10Z
DVTV-WH	

### Case Size Series MU2

L	W	H	ML
241	43	29.5	226mm
9.5	1.7	1.2	8.9 inch

**WARNING:** Always Disconnect Power Before Handling. Case Should be Grounded. Install in Accordance with National and Local Electrical Codes

# LED DRIVER 112W 0-10V Dimming

Output Range 170V to 280V Constant Current **400mA** Max **112W**

Universal Voltage 120-277V Electronic Constant Current 400mA LED Driver 0-10V Dimming. Output Range of 170V to 280V for Single circuit 112W maximum.

## Technical Specification:

UL, CUL Recognized, ROHS Compliant  
 EMI FCC Part 15, Class A  
 Rating: IP 65 Damp, Dry  
 Output Open/Short Protection  
 Min. Starting Temp: - 40° C  
 Max. Case Temp: 90° C  
 Typical Efficiency: 88%

Input Voltage range:  $\pm 10\%$   
 Output Load range:  $\pm 5\%$   
 Input Frequency: 50/60HZ  
 THD: < 20%  
 Power Factor Min: 0.90  
 Remote Wiring Distance Full Load: 18AWG - 18 ft

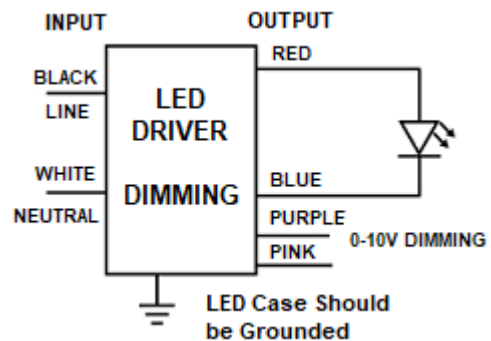
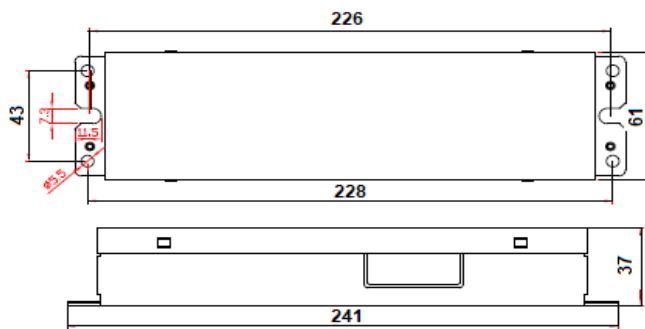
Case Size: Series FS3

Due to continuing efforts to offer improved products all specifications are subject to change without prior notice

INPUT VOLTAGE	INPUT CURRENT	INPUT WATTS	OUTPUT POWER WATTS MAX	OUTPUT VOLTAGE	OUTPUT CURRENT AMPS	MODEL
120V-277V	1.78A - 0.78A	127	112	170 to 280V	0.4A	<b>NU400C112WSD</b>

### LIMITED WARRANTY

5 YEAR at maximum case temperature 75 deg C. 3 YEAR at maximum case temperature 90 deg C. Manufacturer warrants to the purchaser: Product will be free from defects in material or workmanship from the date of manufacture conditioned upon proper storage, installation, use, and maintenance and conformance with any recommendations of Manufacturer



### Lead Length

Colour	inc	cm
Black	6	15.2
White	6	15.2
Blue	6	15.2
Red	6	15.2
Pink	7.1	18
Purple	7.1	18

### 0-10V Dimmer Compatibility Chart

LUTRON	LEVITON
NFTV	DS710-10Z
DVTV-WH	

### Case Size Series FS3

L	W	H	ML
241	61	37	226mm
9.5	2.4	1.46	8.9inch

**WARNING:** Always Disconnect Power Before Handling. Case Should be Grounded. Install in Accordance with National and Local Electrical Codes

# LED DRIVER 30W 0-10V Dimming

Output Range 40V to 66V Constant Current **450mA** Max **30W**

Small Case Size with leads

Universal Voltage 120-277V Electronic Constant Current LED Driver 0-10V Dimming. Output Range of 40V to 66V for Single circuit 30W maximum.

## Technical Specification:

UL, CUL Recognized, ROHS Compliant

EMI FCC Part 15, Class A

Rating: IP 65 Damp, Dry

Output Open/Short Protection

Min. Starting Temp: - 40° C

Max. Case Temp: 90° C

Typical Efficiency: 85%

Input Voltage range:  $\pm 10\%$

Output Load range:  $\pm 5\%$

Input Frequency: 50/60HZ

THD: < 20%

Power Factor Min: 0.90

Remote Wiring Distance Full Load: 18AWG -18 ft

Case Size: Series C4S

Due to continuing efforts to offer improved products all specifications are subject to change without prior notice

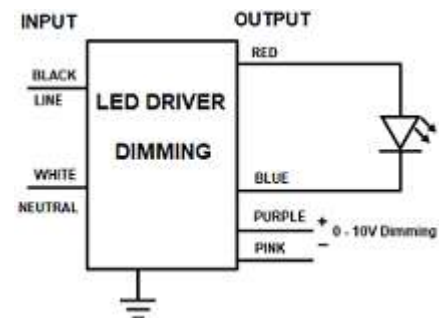
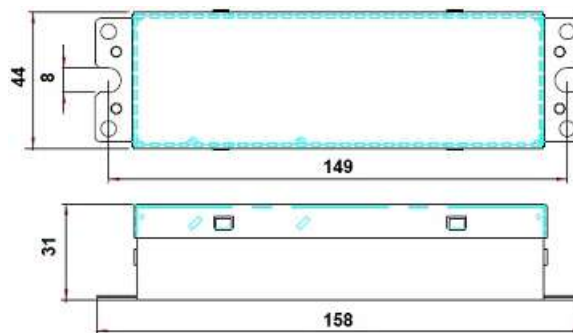
INPUT VOLTAGE	INPUT CURRENT	INPUT WATTS	OUTPUT POWER WATTS MAX	OUTPUT VOLTAGE	OUTPUT CURRENT AMPS	MODEL
120	0.4A	35	30	40 to 66V	0.45A	NU450C30WSD
277	0.17A					

### LIMITED WARRANTY

5 YEAR at maximum case temperature 75 deg C. 3 YEAR at maximum case temperature 90 deg C. Manufacturer warrants to the purchaser: Product will be free from defects in material or workmanship from the date of manufacture conditioned upon proper storage, installation, use, and maintenance and conformance with any recommendations of Manufacturer

### Lead Length

Colour	inch	cm
Black	6	15.2
White	6	15.2
Blue	6	15.2
Red	6	15.2
Gray	6	15.2
Purple	6	15.2



### 0-10V Dimmer Compatibility Chart

LUTRON	LEVITON
NFTV	DS710-10Z
DVTV-WH	

**WARNING:** Always Disconnect Power Before Handling. Case Should be Grounded. Install in Accordance with National and Local Electrical Codes

### Case Size Series CH4U

L	W	H	ML
158	44	31	149mm
6.22	1.73	1.22	5.9inch

901 - 3rd Street West, North Vancouver, BC V7P 3P9 Canada

TEL: 604-904-9533

www.sagedrivers.com www.sagelighting.com

*Sage  
Lighting Ltd.*

# LED DRIVER 40W 0-10V Dimming

Output Range 53V to 89V Constant Current **450mA** Max **40W**

Small Case Size with leads

Universal Voltage 120-277V Electronic Constant Current LED Driver 0-10V Dimming. Output Range of 53V to 89V for Single circuit 40W maximum.

## Technical Specification:

UL, CUL Recognized, ROHS Compliant

EMI FCC Part 15, Class A

Rating: IP 65 Damp, Dry

Output Open/Short Protection

Min. Starting Temp: - 40° C

Max. Case Temp: 90° C

Typical Efficiency: 85%

Input Voltage range:  $\pm 10\%$

Output Load range  $\pm 5\%$

Input Frequency: 50/60HZ

THD: < 20%

Power Factor Min: 0.90

Remote Wiring Distance Full Load: 18AWG -18 ft

Case Size: Series C4S

Due to continuing efforts to offer improved products all specifications are subject to change without prior notice

4/6/17

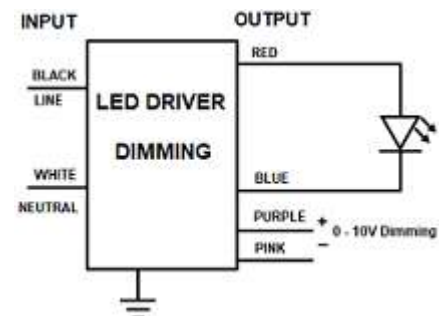
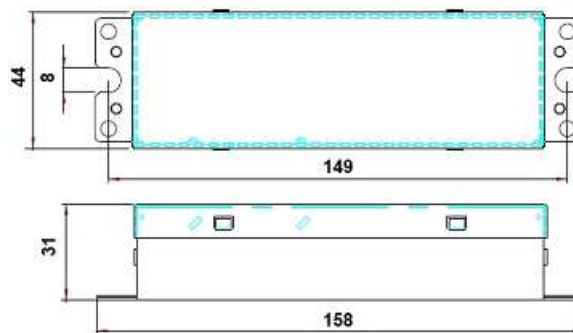
INPUT VOLTAGE	INPUT CURRENT	INPUT WATTS	OUTPUT POWER WATTS MAX	OUTPUT VOLTAGE	OUTPUT CURRENT AMPS	MODEL
120	0.4A	48	40	53V to 89V	0.45A	<b>NU450C40WSDIM</b>
277	0.17A	47				

### LIMITED WARRANTY

5 YEAR at maximum case temperature 75 deg C. 3 YEAR at maximum case temperature 90 deg C. Manufacturer warrants to the purchaser: Product will be free from defects in material or workmanship from the date of manufacture conditioned upon proper storage, installation, use, and maintenance and conformance with any recommendations of Manufacturer

### Lead Length

Colour	inch	cm
Black	6	15.2
White	6	15.2
Blue	6	15.2
Red	6	15.2
Gray	6	15.2
Purple	6	15.2



### 0-10V Dimmer Compatibility Chart

LUTRON	LEVITON
NFTV	DS710-10Z
DVTV-WH	

**WARNING:** Always Disconnect Power Before Handling. Case Should be Grounded. Install in Accordance with National and Local Electrical Codes

Case Size Series CH4U			
L	W	H	ML
158	44	31	149mm
6.22	1.73	1.22	5.9inch

901 - 3rd Street West, North Vancouver, BC V7P 3P9 Canada

TEL: 604-904-9533

www.sagedrivers.com www.sagelighting.com

*Sage  
Lighting Ltd.*



# LED DRIVER 50W 0-10V Dimming

Output Range 67V to 111V Constant Current **450mA** Max **50W**

Small Case Size with leads

Universal Voltage 120-277V Electronic Constant Current LED Driver 0-10V Dimming. Output Range of 67V to 111V for Single circuit 50W maximum.

## Technical Specification:

UL, CUL Recognized, ROHS Compliant

EMI FCC Part 15, Class A

Rating: IP 65 Damp, Dry

Output Open/Short Protection

Min. Starting Temp: - 40° C

Max. Case Temp: 90° C

Typical Efficiency: 86%

Input Voltage range:  $\pm 10\%$

Output Load range  $\pm 5\%$

Input Frequency: 50/60HZ

THD: < 20%

Power Factor Min: 0.90

Remote Wiring Distance Full Load: 18AWG -18 ft

Case Size: Series C4S

Due to continuing efforts to offer improved products all specifications are subject to change without prior notice

R4/01/21

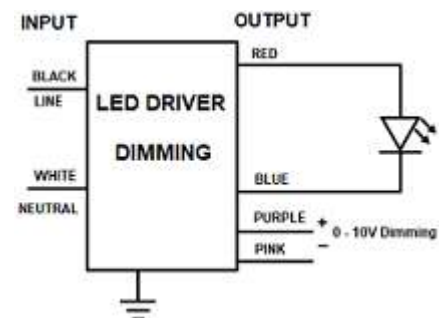
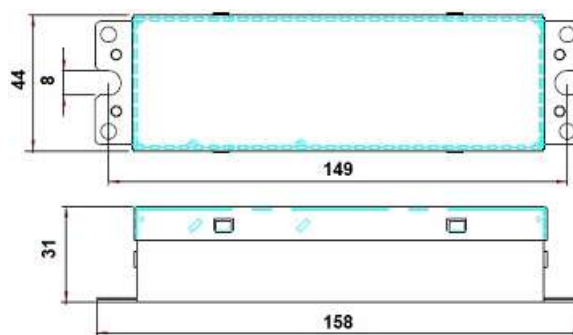
INPUT VOLTAGE	INPUT CURRENT	INPUT WATTS	OUTPUT POWER WATTS MAX	OUTPUT VOLTAGE	OUTPUT CURRENT AMPS	MODEL
120	0.50A	58	50	67-111V	0.45A	NU450C50WSDIM
277	0.22A					

### LIMITED WARRANTY

5 YEAR at maximum case temperature 75 deg C. 3 YEAR at maximum case temperature 90 deg C. Manufacturer warrants to the purchaser: Product will be free from defects in material or workmanship from the date of manufacture conditioned upon proper storage, installation, use, and maintenance and conformance with any recommendations of Manufacturer

### Lead Length

Colour	inch	cm
Black	6	15.2
White	6	15.2
Blue	6	15.2
Red	6	15.2
Gray	6	15.2
Purple	6	15.2



### 0-10V Dimmer Compatibility Chart

LUTRON	LEVITON
NFTV	DS710-10Z
DVTV-WH	

**WARNING:** Always Disconnect Power Before Handling. Case Should be Grounded. Install in Accordance with National and Local Electrical Codes

Case Size Series CH4U			
L	W	H	ML
158	44	31	149mm
6.22	1.73	1.22	5.9inch

# LED DRIVER 60W 0-10V Dimming

Output Range 80V to 133V Constant Current **450mA** Max **60W**

Universal Voltage 120-277V Electronic Constant Current LED Driver 0-10V Dimming. Output Range of 80V to 133V for Single circuit 60W maximum.

## Technical Specification:

UL, CUL Recognized, ROHS Compliant

EMI FCC Part 15, Class A

Rating: IP 65 Damp, Dry

Output Open/Short Protection

Min. Starting Temp: - 40° C

Max. Case Temp: 90° C

Typical Efficiency: 89%

Input Voltage range:  $\pm 10\%$

Output Load range  $\pm 5\%$

Input Frequency: 50/60HZ

THD: < 20%

Power Factor Min: 0.90

Remote Wiring Distance Full Load: 18AWG -18 ft

Case Size: Series MU2

Due to continuing efforts to offer improved products all specifications are subject to change without prior notice

5/10/20

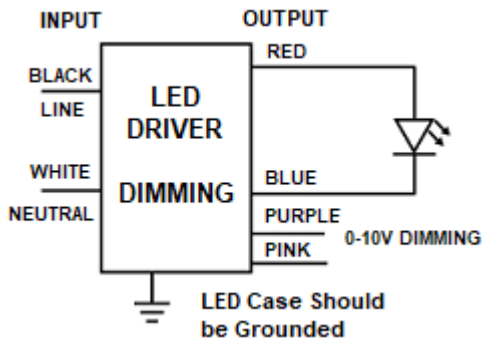
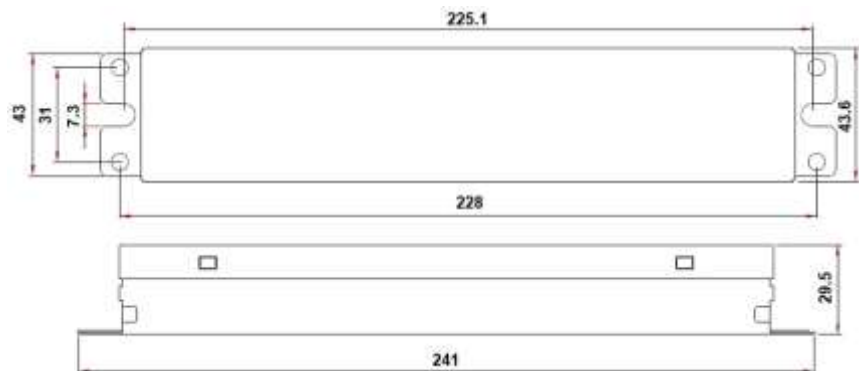
INPUT VOLTAGE	INPUT CURRENT	INPUT WATTS	OUTPUT POWER WATTS MAX	OUTPUT VOLTAGE	OUTPUT CURRENT AMPS	MODEL
120	0.61A	68	60	80 to 133V	0.45A	NU450C60WSDIM
277	0.26A					

### LIMITED WARRANTY

5 YEAR at maximum case temperature 75 deg C. 3 YEAR at maximum case temperature 90 deg C. Manufacturer warrants to the purchaser: Product will be free from defects in material or workmanship from the date of manufacture conditioned upon proper storage, installation, use, and maintenance and conformance with any recommendations of Manufacturer

### Lead Length

Colour	inc	cm
Black	6	15.2
White	6	15.2
Blue	6	15.2
Red	6	15.2
Pink	7.1	18
Purple	7.1	18



### 0-10V Dimmer Compatibility Chart

LUTRON	LEVITON
NFTV	DS710-10Z
DVTV-WH	

### Case Size Series MU2

L	W	H	ML
241	43	29.5	226mm
9.5	1.7	1.2	8.9 inch

**WARNING:** Always Disconnect Power Before Handling. Case Should be Grounded. Install in Accordance with National and Local Electrical Codes

901 - 3rd Street West, North Vancouver, BC V7P 3P9 Canada

TEL: 604-904-9533

www.sagedrivers.com www.sagelighting.com

*Sage  
Lighting Ltd.*

# LED DRIVER 75W 0-10V Dimming

Output Range 100V to 166V Constant Current **450mA** Max **75W**

Universal Voltage 120-277V Electronic Constant Current 450mA LED Driver 0-10V Dimming. Output Range of 100V to 166V for Single circuit 75W maximum.

## Technical Specification:

UL, CUL Recognized, ROHS Compliant  
 EMI FCC Part 15, Class A  
 Rating: IP 65 Damp, Dry  
 Output Open/Short Protection  
 Min. Starting Temp: - 40° C  
 Max. Case Temp: 90° C  
 Typical Efficiency: 88%

Input Voltage range:  $\pm 10\%$   
 Output Load range  $\pm 5\%$   
 Input Frequency: 50/60HZ  
 THD: < 20%  
 Power Factor Min: 0.90  
 Remote Wiring Distance Full Load: 18AWG -18 ft

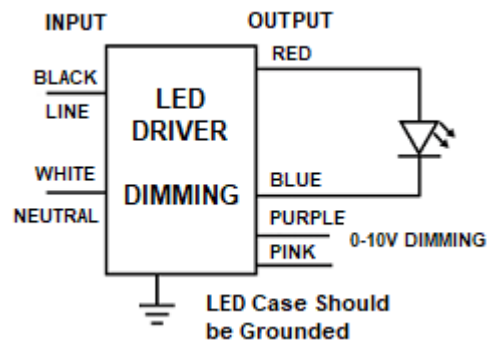
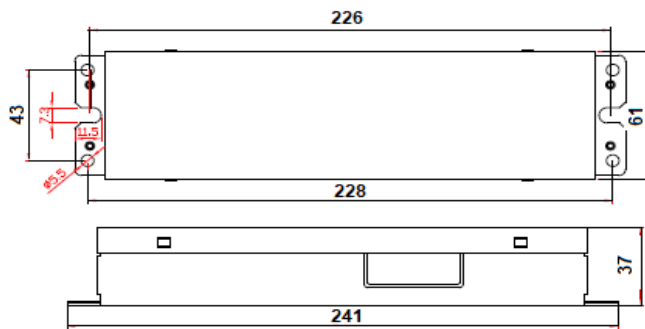
Case Size: Series FS3

Due to continuing efforts to offer improved products all specifications are subject to change without prior notice

INPUT VOLTAGE	INPUT CURRENT	INPUT WATTS	OUTPUT POWER WATTS MAX	OUTPUT VOLTAGE	OUTPUT CURRENT AMPS	MODEL
120V-277V	1.45A - 0.64A	85	75	100 to 166V	0.45A	NU450C75WSD

### LIMITED WARRANTY

5 YEAR at maximum case temperature 75 deg C. 3 YEAR at maximum case temperature 90 deg C. Manufacturer warrants to the purchaser: Product will be free from defects in material or workmanship from the date of manufacture conditioned upon proper storage, installation, use, and maintenance and conformance with any recommendations of Manufacturer



### Lead Length

Colour	inc	cm
Black	6	15.2
White	6	15.2
Blue	6	15.2
Red	6	15.2
Pink	7.1	18
Purple	7.1	18

### 0-10V Dimmer Compatibility Chart

LUTRON	LEVITON
NFTV	DS710-10Z
DVTV-WH	

### Case Size Series FS3

L	W	H	ML
241	61	37	226mm
9.5	2.4	1.46	8.9inch

**WARNING:** Always Disconnect Power Before Handling. Case Should be Grounded. Install in Accordance with National and Local Electrical Codes

# LED DRIVER 30W 0-10V Dimming

Output Range 36V to 60V Constant Current **500mA** Max **30W**

Compact Case Size with leads

Universal Voltage 120-277V Electronic Constant Current LED Driver 0-10V Dimming. Output Range of 36V to 60V for Single circuit 30W maximum.

## Technical Specification:

Class 2 UL, CUL Recognized, ROHS Compliant  
 EMI FCC Part 15, Class A  
 Rating: IP 65 Damp, Dry  
 Output Open/Short Protection  
 Min. Starting Temp: - 40° C  
 Max. Case Temp: 90° C  
 Typical Efficiency: 83%

Input Voltage range:  $\pm 10\%$   
 Output Load range:  $\pm 5\%$   
 Input Frequency: 50/60HZ  
 THD: < 20%  
 Power Factor Min: 0.90  
 Remote Wiring Distance Full Load: 18AWG -18 ft

Case Size: Series C1U

Due to continuing efforts to offer improved products all specifications are subject to change without prior notice

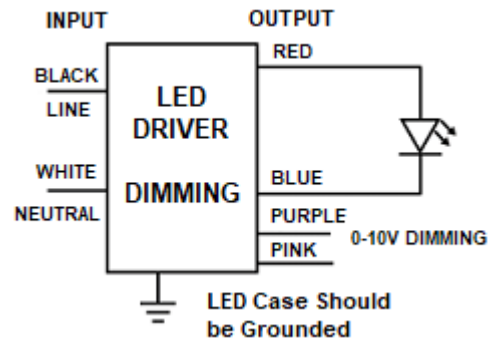
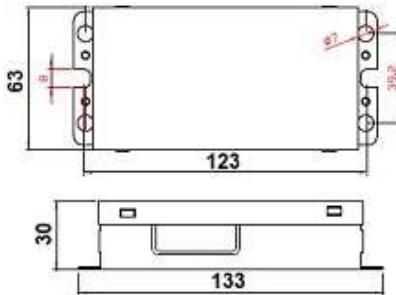
INPUT VOLTAGE	INPUT CURRENT	INPUT WATTS	OUTPUT POWER WATTS MAX	OUTPUT VOLTAGE	OUTPUT CURRENT AMPS	MODEL
120	0.50A	36	30	36 to 60V	0.5A	NU500C30WSD
277	0.22A					

### LIMITED WARRANTY

5 YEAR at maximum case temperature 75 deg C. 3 YEAR at maximum case temperature 90 deg C. Manufacturer warrants to the purchaser: Product will be free from defects in material or workmanship from the date of manufacture conditioned upon proper storage, installation, use, and maintenance and conformance with any recommendations of Manufacturer

### Lead Length

Colour	inc	cm
Black	6	15.2
White	6	15.2
Blue	6	15.2
Red	6	15.2
Pink	7.1	18
Purple	7.1	18



### 0-10V Dimmer Compatibility Chart

LUTRON	LEVITON
NFTV	DS710-10Z
DVTV-WH	

### Case Size Series C1U

L	W	H	ML
133	63	30	123mm
5.23	2.48	1.18	4.84inch

**WARNING:** Always Disconnect Power Before Handling. Case Should be Grounded. Install in Accordance with National and Local Electrical Codes

# LED DRIVER 40W 0-10V Dimming

Output Range 46V to 77V Constant Current **520mA** Max **40W**

Compact Case Size with leads

Universal Voltage 120-277V Electronic Constant Current LED Driver 0-10V Dimming. Output Range of 46V to 77V for Single circuit 40W maximum.

## Technical Specification:

UL, CUL Recognized, ROHS Compliant

EMI FCC Part 15, Class A

Rating: IP 65 Damp, Dry

Output Open/Short Protection

Min. Starting Temp: - 40° C

Max. Case Temp: 90° C

Typical Efficiency: 86%

Input Voltage range:  $\pm 10\%$

Output Load range:  $\pm 5\%$

Input Frequency: 50/60HZ

THD: < 20%

Power Factor Min: 0.90

Remote Wiring Distance Full Load: 18AWG -18 ft

Case Size: Series C1U

Due to continuing efforts to offer improved products all specifications are subject to change without prior notice

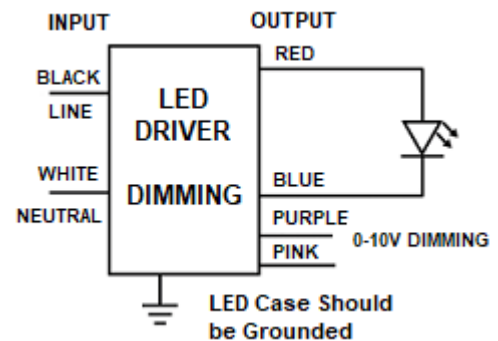
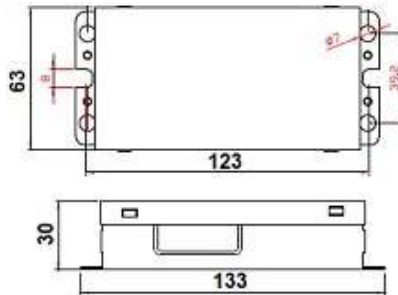
INPUT VOLTAGE	INPUT CURRENT	INPUT WATTS	OUTPUT POWER WATTS MAX	OUTPUT VOLTAGE	OUTPUT CURRENT AMPS	MODEL
120	0.5A	47	40	46 to 77V	0.52A	NU520C40WSD
277	0.22A					

### LIMITED WARRANTY

5 YEAR at maximum case temperature 75 deg C. 3 YEAR at maximum case temperature 90 deg C. Manufacturer warrants to the purchaser: Product will be free from defects in material or workmanship from the date of manufacture conditioned upon proper storage, installation, use, and maintenance and conformance with any recommendations of Manufacturer

### Lead Length

Colour	inc	cm
Black	6	15.2
White	6	15.2
Blue	6	15.2
Red	6	15.2
Pink	7.1	18
Purple	7.1	18



### 0-10V Dimmer Compatibility Chart

LUTRON	LEVITON
NFTV	DS710-10Z
DVTV-WH	

### Case Size Series C1U

L	W	H	ML
133	63	30	123mm
5.23	2.48	1.18	4.84inch

**WARNING:** Always Disconnect Power Before Handling. Case Should be Grounded. Install in Accordance with National and Local Electrical Codes

901 - 3rd Street West, North Vancouver, BC V7P 3P9 Canada

TEL: 604-904-9533

www.sagedrivers.com www.sagelighting.com

*Sage  
Lighting Ltd.*

# LED DRIVER 150W 0-10V Dimming

Output Range 170V to 283V Constant Current **530mA** Max **150W**

Universal Voltage 120-277V Electronic Constant Current LED Driver 0-10V Dimming. Output Range of 170V to 283V for Single circuit 150W maximum.

## Technical Specification:

UL, CUL Recognized, ROHS Compliant  
 EMI FCC Part 15, Class A  
 Rating: IP 65 Damp, Dry  
 Output Open/Short Protection  
 Min. Starting Temp: - 40° C  
 Max. Case Temp: 90° C  
 Typical Efficiency: 89%

Input Voltage range:  $\pm 10\%$   
 Output Load range  $\pm 5\%$   
 Input Frequency: 50/60HZ  
 THD: < 20%  
 Power Factor Min: 0.90  
 Remote Wiring Distance Full Load: 18AWG - 18 ft

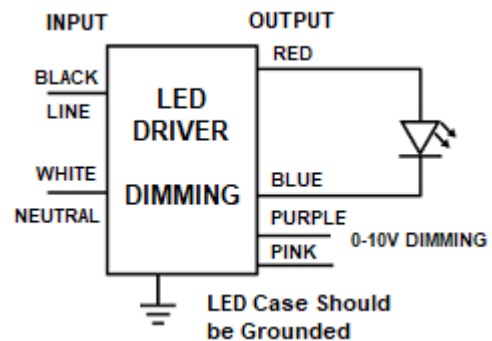
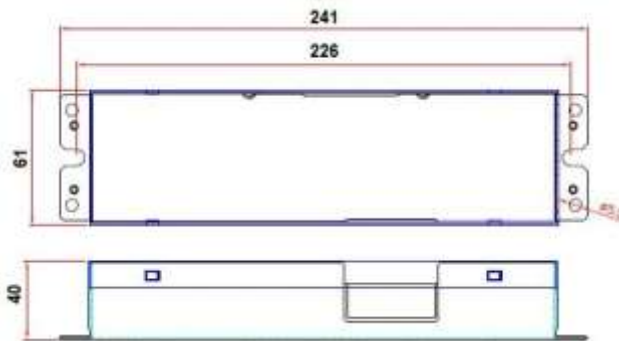
Case Size: Series FS4

Due to continuing efforts to offer improved products all specifications are subject to change without prior notice

INPUT VOLTAGE	INPUT CURRENT	INPUT WATTS	OUTPUT POWER WATTS MAX	OUTPUT VOLTAGE	OUTPUT CURRENT AMPS	MODEL
120V-277V	1.78A - 0.78A	168	150	170 to 283V	0.53A	<b>NU530C150WSD</b>

### LIMITED WARRANTY

5 YEAR at maximum case temperature 75 deg C. 3 YEAR at maximum case temperature 90 deg C. Manufacturer warrants to the purchaser: Product will be free from defects in material or workmanship from the date of manufacture conditioned upon proper storage, installation, use, and maintenance and conformance with any recommendations of Manufacturer



### Lead Length

Colour	inc	cm
Black	6	15.2
White	6	15.2
Blue	6	15.2
Red	6	15.2
Pink	7.1	18
Purple	7.1	18

### 0-10V Dimmer Compatibility Chart

LUTRON	LEVITON
NFTV	DS710-10Z
DVTV-WH	

### Case Size Series FS4

L	W	H	ML
241	61	40	226mm
9.5	2.4	1.57	8.9inch

**WARNING:** Always Disconnect Power Before Handling. Case Should be Grounded. Install in Accordance with National and Local Electrical Codes

# LED DRIVER 40W 0-10V Dimming

Output Range 43V to 72V Constant Current **550mA** Max **40W**

Small Case Size with leads

Universal Voltage 120-277V Electronic Constant Current LED Driver 0-10V Dimming. Output Range of 43V to 72V for Single circuit 40W maximum.

## Technical Specification:

UL, CUL Recognized, ROHS Compliant

EMI FCC Part 15, Class A

Rating: IP 65 Damp, Dry

Output Open/Short Protection

Min. Starting Temp: - 40° C

Max. Case Temp: 90° C

Typical Efficiency: 86%

Input Voltage range:  $\pm 10\%$

Output Load range  $\pm 5\%$

Input Frequency: 50/60HZ

THD: < 20%

Power Factor Min: 0.90

Remote Wiring Distance Full Load: 18AWG -18 ft

Case Size: Series C1U

Due to continuing efforts to offer improved products all specifications are subject to change without prior notice

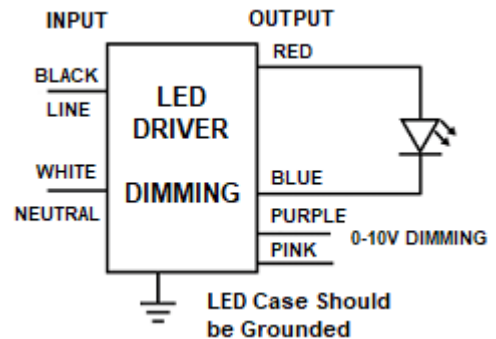
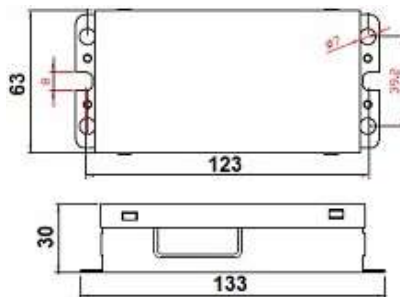
INPUT VOLTAGE	INPUT CURRENT	INPUT WATTS	OUTPUT POWER WATTS MAX	OUTPUT VOLTAGE	OUTPUT CURRENT AMPS	MODEL
120	0.50A	47	40	43 to 72V	0.55A	NU550C40WSD
277	0.22A					

### LIMITED WARRANTY

5 YEAR at maximum case temperature 75 deg C. 3 YEAR at maximum case temperature 90 deg C. Manufacturer warrants to the purchaser: Product will be free from defects in material or workmanship from the date of manufacture conditioned upon proper storage, installation, use, and maintenance and conformance with any recommendations of Manufacturer

### Lead Length

Colour	inc	cm
Black	6	15.2
White	6	15.2
Blue	6	15.2
Red	6	15.2
Pink	7.1	18
Purple	7.1	18



### 0-10V Dimmer Compatibility Chart

LUTRON	LEVITON
NFTV	DS710-10Z
DVTV-WH	

### Case Size Series C1U

L	W	H	ML
133	63	30	123mm
5.23	2.48	1.18	4.84inch

**WARNING:** Always Disconnect Power Before Handling. Case Should be Grounded. Install in Accordance with National and Local Electrical Codes

# LED DRIVER 73W 0-10V Dimming

## Output 75V to 125V Constant Current 580mA Max 73W

Universal Voltage 120-277V Electronic Constant Current LED Driver 0-10V Dimming. Output Range of 75V to 125V for Single Output circuit 73W maximum.

### Technical Specification:

UL, CUL Recognized, ROHS Compliant  
 EMI FCC Part 15, Class A  
 Rating: IP 65 Damp, Dry  
 Output Open/Short Protection  
 Min. Starting Temp: - 40° C  
 Max. Case Temp: 90° C  
 Typical Efficiency: 88%

Input Voltage range:  $\pm 10\%$   
 Output Load range:  $\pm 5\%$   
 Input Frequency: 50/60HZ  
 THD: < 20%  
 Power Factor Min: 0.90  
 Remote Wiring Distance Full Load: 18AWG -18 ft

Case Size: Series MU2

Due to continuing efforts to offer improved products all specifications are subject to change without prior notice

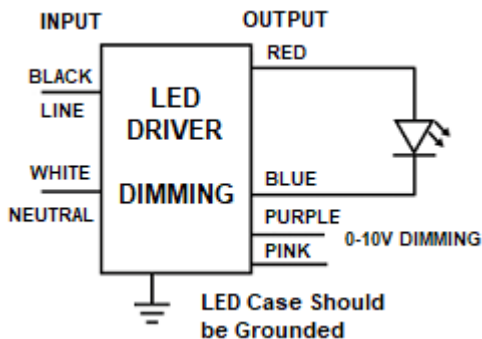
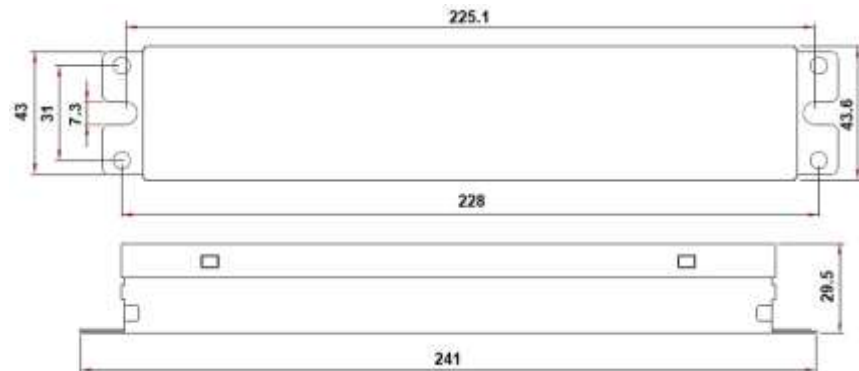
INPUT VOLTAGE	INPUT CURRENT	INPUT WATTS	OUTPUT POWER WATTS MAX	OUTPUT VOLTAGE	OUTPUT CURRENT AMPS	MODEL
120	1.0A	83	73	75 to 125V	0.58	NU580C73WSD
277	0.42A					

#### LIMITED WARRANTY

5 YEAR at maximum case temperature 75 deg C. 3 YEAR at maximum case temperature 90 deg C. Manufacturer warrants to the purchaser: Product will be free from defects in material or workmanship from the date of manufacture conditioned upon proper storage, installation, use, and maintenance and conformance with any recommendations of Manufacturer

#### Lead Length

Colour	inc	cm
Black	6	15.2
White	6	15.2
Blue	6	15.2
Red	6	15.2
Pink	7.1	18
Purple	7.1	18



#### 0-10V Dimmer Compatibility Chart

LUTRON	LEVITON
NFTV	DS710-10Z
DVTV-WH	

#### Case Size Series MU2

L	W	H	ML
241	43	29.5	226mm
9.5	1.7	1.2	8.9 inch

**WARNING:** Always Disconnect Power Before Handling. Case Should be Grounded. Install in Accordance with National and Local Electrical Codes



# LED DRIVER 180W 0-10V Dimming

Output Range 166V to 277V Constant Current **650mA Max 180W**

Universal Voltage 120-277V Electronic Constant Current LED Driver 0-10V Dimming. Output Range of 166V to 277V for Single circuit 180W maximum.

## Technical Specification:

UL, CUL Recognized, ROHS Compliant

EMI FCC Part 15, Class A

Rating: IP 65 Damp, Dry

Output Open/Short Protection

Min. Starting Temp: - 40° C

Max. Case Temp: 90° C

Typical Efficiency: 90%

Input Voltage range:  $\pm 10\%$

Output Load range  $\pm 5\%$

Input Frequency: 50/60HZ

THD: < 20%

Power Factor Min: 0.90

Remote Wiring Distance Full Load: 18AWG - 18 ft

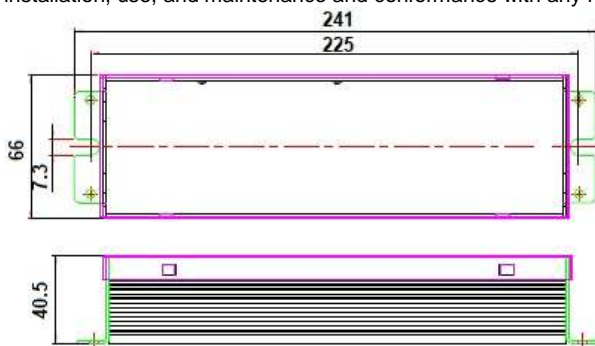
**Case Size: Series FS5**

Due to continuing efforts to offer improved products all specifications are subject to change without prior notice

INPUT VOLTAGE	INPUT CURRENT	INPUT WATTS	OUTPUT POWER WATTS MAX	OUTPUT VOLTAGE	OUTPUT CURRENT AMPS	MODEL
120V-277V	1.78A - 0.78A	200	180	166 to 277V	0.7A	<b>NU650C180WSD</b>

### LIMITED WARRANTY

5 YEAR at maximum case temperature 75 deg C. 3 YEAR at maximum case temperature 90 deg C. Manufacturer warrants to the purchaser: Product will be free from defects in material or workmanship from the date of manufacture conditioned upon proper storage, installation, use, and maintenance and conformance with any recommendations of Manufacturer



### Lead Length

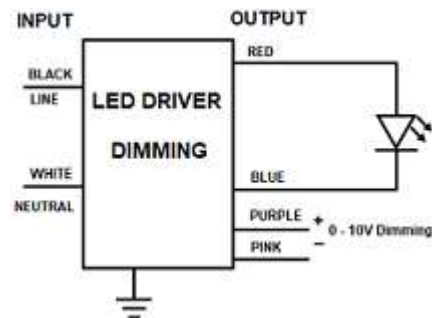
Colour	inch	cm
Black	6	15.2
White	6	15.2
Blue	6	15.2
Red	6	15.2
Gray	6	15.2
Purple	6	15.2

### 0-10V Dimmer Compatibility Chart

LUTRON	LEVITON
NFTV	DS710-10Z
DVTV-WH	

### Case Size Series FS5

L	W	H	ML
241	66	40.5	226mm
9.5	2.6	1.6	8.9inch



**WARNING:** Always Disconnect Power Before Handling. Case Should be Grounded. Install in Accordance with National and Local Electrical Codes

# LED DRIVER 25W 0-10V Dimming

Output Range 22V to 36V Constant Current **700mA** Max **25W**

Slim Case Size with leads

Universal Voltage 120-277V Electronic Constant Current LED Driver 0-10V Dimming. Output Range of 22V to 36V for Single circuit 25W maximum.

## Technical Specification:

Class 2 UL, CUL Recognized, ROHS Compliant

EMI FCC Part 15, Class A

Rating: IP 65 Damp, Dry

Output Open/Short Protection

Min. Starting Temp: - 40° C

Max. Case Temp: 90° C

Typical Efficiency: 85%

Input Voltage range:  $\pm 10\%$

Output Load range  $\pm 5\%$

Input Frequency: 50/60HZ

THD: < 20%

Power Factor Min: 0.90

Remote Wiring Distance Full Load: 18AWG - 18 ft

Case Size: Series MU2

Due to continuing efforts to offer improved products all specifications are subject to change without prior notice

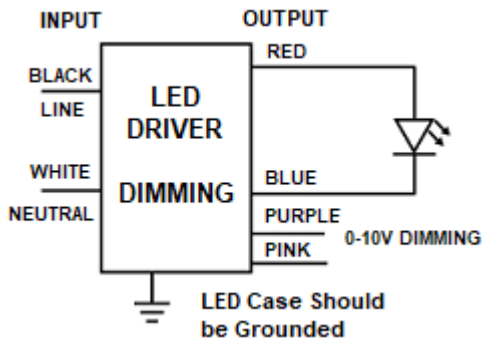
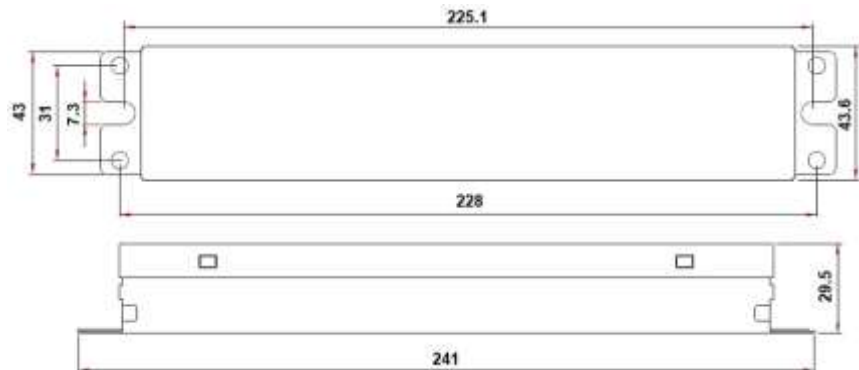
INPUT VOLTAGE	INPUT CURRENT	INPUT WATTS	OUTPUT POWER WATTS MAX	OUTPUT VOLTAGE	OUTPUT CURRENT AMPS	MODEL
120	0.40A	30	25	22 to 36V	0.7A	NU700C25WSD
277	0.17A					

### LIMITED WARRANTY

5 YEAR at maximum case temperature 75 deg C. 3 YEAR at maximum case temperature 90 deg C. Manufacturer warrants to the purchaser: Product will be free from defects in material or workmanship from the date of manufacture conditioned upon proper storage, installation, use, and maintenance and conformance with any recommendations of Manufacturer

### Lead Length

Colour	inc	cm
Black	6	15.2
White	6	15.2
Blue	6	15.2
Red	6	15.2
Pink	7.1	18
Purple	7.1	18



### 0-10V Dimmer Compatibility Chart

LUTRON	LEVITON
NFTV	DS710-10Z
DVTV-WH	

### Case Size Series MU2

L	W	H	ML
241	43	29.5	226mm
9.5	1.7	1.2	8.9 inch

**WARNING:** Always Disconnect Power Before Handling. Case Should be Grounded. Install in Accordance with National and Local Electrical Codes

901 - 3rd Street West, North Vancouver, BC V7P 3P9 Canada

TEL: 604-904-9533

www.sagedrivers.com www.sagelighting.com

*Sage  
Lighting Ltd.*

# LED DRIVER 30W 0-10V Dimming

Output Range 25V to 42V Constant Current **700mA** Max **30W**

Slim Case Size with leads

Universal Voltage 120-277V Electronic Constant Current LED Driver 0-10V Dimming. Output Range of 25V to 42V for Single circuit 30W maximum.

## Technical Specification:

Class 2 UL, CUL Recognized, ROHS Compliant

EMI FCC Part 15, Class A

Rating: IP 65 Damp, Dry

Output Open/Short Protection

Min. Starting Temp: - 40° C

Max. Case Temp: 90° C

Typical Efficiency: 82%

Input Voltage range:  $\pm 10\%$

Output Load range  $\pm 5\%$

Input Frequency: 50/60HZ

THD: < 20%

Power Factor Min: 0.90

Remote Wiring Distance Full Load: 18AWG - 18 ft

Case Size: Series MU2

Due to continuing efforts to offer improved products all specifications are subject to change without prior notice

1/7/17

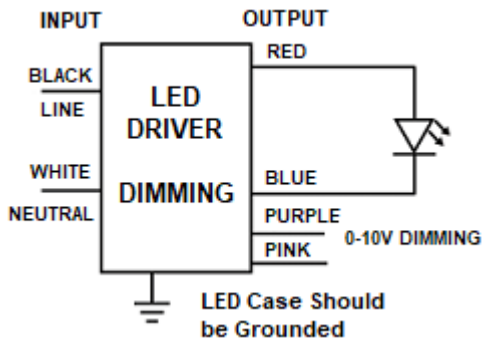
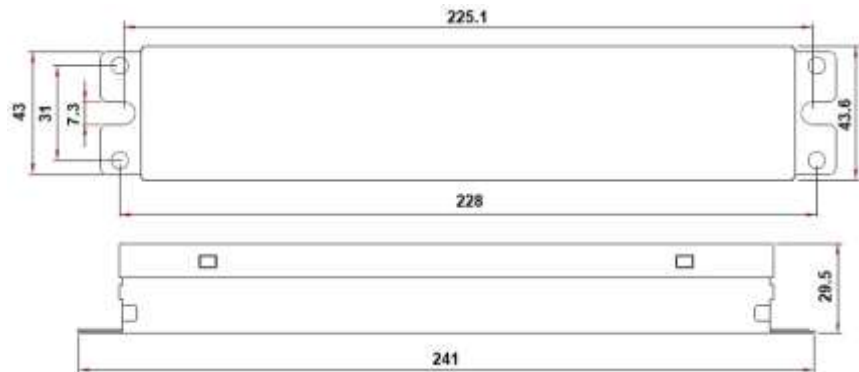
INPUT VOLTAGE	INPUT CURRENT	INPUT WATTS	OUTPUT POWER WATTS MAX	OUTPUT VOLTAGE	OUTPUT CURRENT AMPS	MODEL
120	0.44A	37	30	25 to 42V	0.7A	NU700C30WSDIM
277	0.19A					

### LIMITED WARRANTY

5 YEAR at maximum case temperature 75 deg C. 3 YEAR at maximum case temperature 90 deg C. Manufacturer warrants to the purchaser: Product will be free from defects in material or workmanship from the date of manufacture conditioned upon proper storage, installation, use, and maintenance and conformance with any recommendations of Manufacturer

### Lead Length

Colour	inc	cm
Black	6	15.2
White	6	15.2
Blue	6	15.2
Red	6	15.2
Pink	7.1	18
Purple	7.1	18



### 0-10V Dimmer Compatibility Chart

LUTRON	LEVITON
NFTV	DS710-10Z
DVTV-WH	

### Case Size Series MU2

L	W	H	ML
241	43	29.5	226mm
9.5	1.7	1.2	8.9 inch

**WARNING:** Always Disconnect Power Before Handling. Case Should be Grounded. Install in Accordance with National and Local Electrical Codes

901 - 3rd Street West, North Vancouver, BC V7P 3P9 Canada

TEL: 604-904-9533

www.sagedrivers.com www.sagelighting.com

*Sage Lighting Ltd.*

# LED DRIVER 42W 0-10V Dimming

Output Range 36V to 60V Constant Current **700mA** Max **42W**

Slim Case Size with leads

Universal Voltage 120-277V Electronic Constant Current LED Driver 0-10V Dimming. Output Range of 36V to 60V for Single circuit 42W maximum.

## Technical Specification:

Class 2 UL, CUL Recognized, ROHS Compliant

EMI FCC Part 15, Class A

Rating: IP 65 Damp, Dry

Output Open/Short Protection

Min. Starting Temp: - 40° C

Max. Case Temp: 90° C

Typical Efficiency: 89%

Input Voltage range:  $\pm 10\%$

Output Load range  $\pm 5\%$

Input Frequency: 50/60HZ

THD: < 20%

Power Factor Min: 0.90

Remote Wiring Distance Full Load: 18AWG -18 ft

Case Size: Series MU2

Due to continuing efforts to offer improved products all specifications are subject to change without prior notice

4/1/20

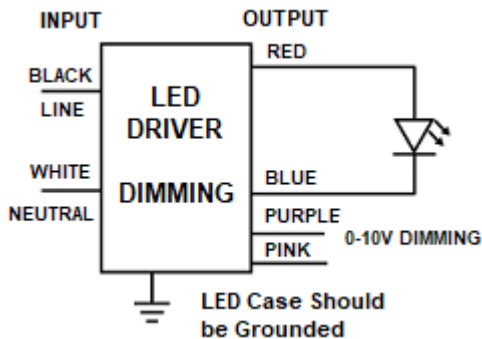
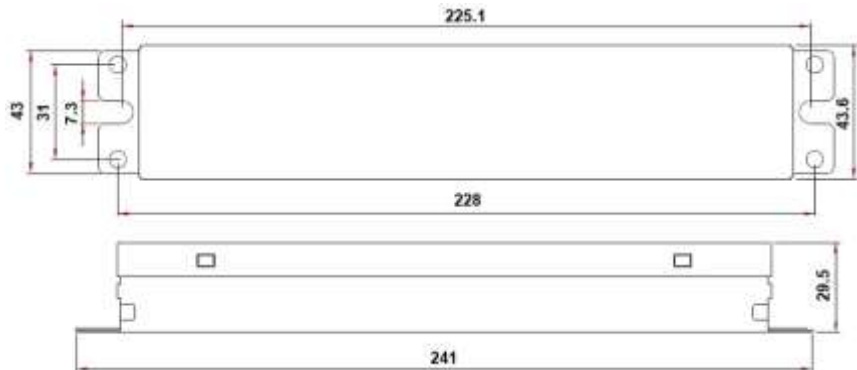
INPUT VOLTAGE	INPUT CURRENT	INPUT WATTS	OUTPUT POWER WATTS MAX	OUTPUT VOLTAGE	OUTPUT CURRENT AMPS	MODEL
120	0.4A	47	42	36 to 60V	0.7A	NU700C42WRSDIM
277	0.175A					

### LIMITED WARRANTY

5 YEAR at maximum case temperature 75 deg C. 3 YEAR at maximum case temperature 90 deg C. Manufacturer warrants to the purchaser: Product will be free from defects in material or workmanship from the date of manufacture conditioned upon proper storage, installation, use, and maintenance and conformance with any recommendations of Manufacturer

### Lead Length

Colour	inc	cm
Black	6	15.2
White	6	15.2
Blue	6	15.2
Red	6	15.2
Pink	7.1	18
Purple	7.1	18



### 0-10V Dimmer Compatibility Chart

LUTRON	LEVITON
NFTV	DS710-10Z
DVTV-WH	

### Case Size Series MU2

L	W	H	ML
241	43	29.5	226mm
9.5	1.7	1.2	8.9 inch

**WARNING:** Always Disconnect Power Before Handling. Case Should be Grounded. Install in Accordance with National and Local Electrical Codes

901 - 3rd Street West, North Vancouver, BC V7P 3P9 Canada

TEL: 604-904-9533

www.sagedrivers.com www.sagelighting.com

*Sage  
Lighting Ltd.*

# LED DRIVER 42W 0-10V Dimming

Output Range 36V to 60V Constant Current **700mA** Max **42W**

Small Case Size with leads

Universal Voltage 120-277V Electronic Constant Current LED Driver 0-10V Dimming. Output Range of 36V to 60V for Single circuit 42W maximum.

## Technical Specification:

Class 2 UL, CUL Recognized, ROHS Compliant  
 EMI FCC Part 15, Class A  
 Rating: IP 65 Damp, Dry  
 Output Open/Short Protection  
 Min. Starting Temp: - 40° C  
 Max. Case Temp: 90° C  
 Typical Efficiency: 84%

Input Voltage range:  $\pm 10\%$   
 Output Load range:  $\pm 5\%$   
 Input Frequency: 50/60HZ  
 THD: < 20%  
 Power Factor Min: 0.90  
 Remote Wiring Distance Full Load: 18AWG -18 ft

Case Size: Series C4S

Due to continuing efforts to offer improved products all specifications are subject to change without prior notice

6/1/20

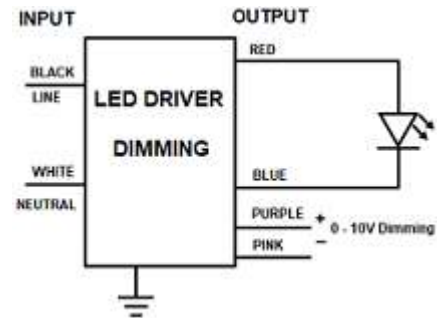
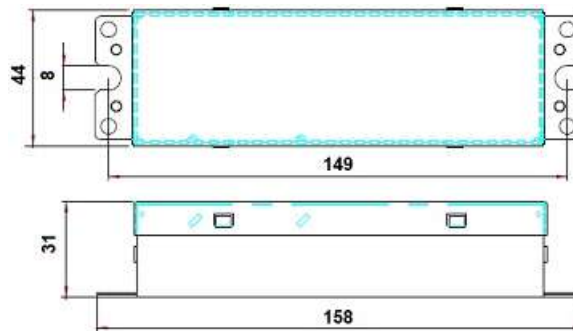
INPUT VOLTAGE	OUTPUT POWER WATTS MAX	INPUT CURRENT	INPUT WATTS	OUTPUT VOLTAGE	OUTPUT CURRENT AMPS	MODEL
120	42	0.44A	52	36 to 60V	0.7A	NU700C42WSDIM
277		0.19A				

### LIMITED WARRANTY

5 YEAR at maximum case temperature 75 deg C. 3 YEAR at maximum case temperature 90 deg C. Manufacturer warrants to the purchaser: Product will be free from defects in material or workmanship from the date of manufacture conditioned upon proper storage, installation, use, and maintenance and conformance with any recommendations of Manufacturer

### Lead Length

Colour	inch	cm
Black	6	15.2
White	6	15.2
Blue	6	15.2
Red	6	15.2
Gray	6	15.2
Purple	6	15.2



### 0-10V Dimmer Compatibility Chart

LUTRON	LEVITON
NFTV	DS710-10Z
DVTV-WH	

**WARNING:** Always Disconnect Power Before Handling. Case Should be Grounded. Install in Accordance with National and Local Electrical Codes

Case Size Series CH4U			
L	W	H	ML
158	44	31	149mm
6.22	1.73	1.22	5.9inch

# LED DRIVER 60W 0-10V Dimming

Output Range 60V to 86V Constant Current **700mA** Max **60W**

Universal Voltage 120-277V Electronic Constant Current LED Driver 0-10V Dimming. Output Range of 60V to 86V for Single circuit 60W maximum.

## Technical Specification:

UL, CUL Recognized, ROHS Compliant

EMI FCC Part 15, Class A

Rating: IP 65 Damp, Dry

Output Open/Short Protection

Min. Starting Temp: -40° C

Max. Case Temp: 90° C

Efficiency: 88%

Input Voltage range:  $\pm 10\%$

Output Load range  $\pm 5\%$

Input Frequency: 50/60HZ

THD: < 20%

Power Factor Min: 0.90

Remote Wiring Distance Full Load: 18AWG -18 ft Typical

Case Size: Series MU2

Due to continuing efforts to offer improved products all specifications are subject to change without prior notice

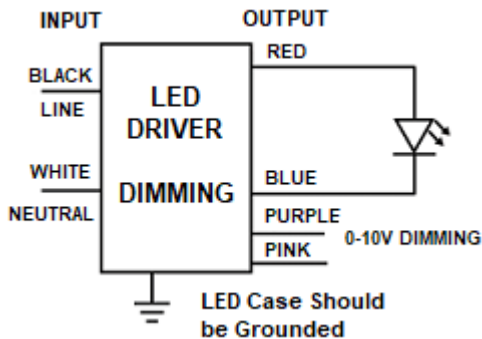
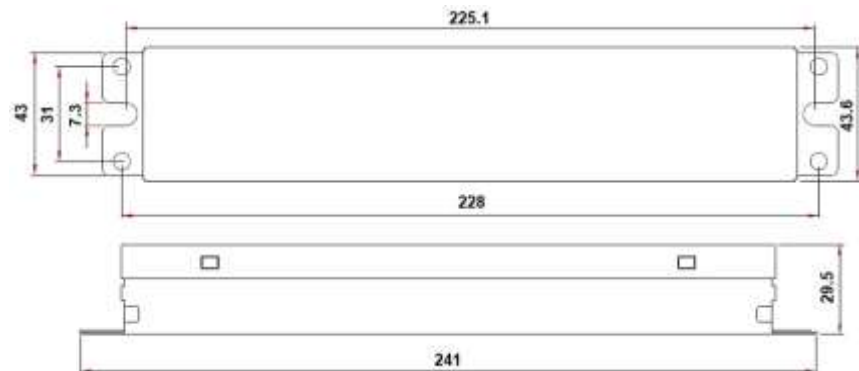
INPUT VOLTAGE	INPUT CURRENT	INPUT WATTS	OUTPUT POWER WATTS MAX	OUTPUT VOLTAGE	OUTPUT CURRENT AMPS	MODEL
120	0.61A	68	60	60 to 86V	0.7A	NU700C60WSD
277	0.26A					

### LIMITED WARRANTY

5 YEAR at maximum case temperature 75 deg C. 3 YEAR at maximum case temperature 90 deg C. Manufacturer warrants to the purchaser: Product will be free from defects in material or workmanship from the date of manufacture conditioned upon proper storage, installation, use, and maintenance and conformance with any recommendations of Manufacturer

### Lead Length

Colour	inc	cm
Black	6	15.2
White	6	15.2
Blue	6	15.2
Red	6	15.2
Pink	7.1	18
Purple	7.1	18



### 0-10V Dimmer Compatibility Chart

LUTRON	LEVITON
NFTV	DS710-10Z
DVTV-WH	

### Case Size Series MU2

L	W	H	ML
241	43	29.5	226mm
9.5	1.7	1.2	8.9 inch

**WARNING:** Always Disconnect Power Before Handling. Case Should be Grounded. Install in Accordance with National and Local Electrical Codes

# LED DRIVER 75W 0-10V Dimming

Output Range 64V to 107V Constant Current **700mA** Max **75W**

Universal Voltage 120-277V Electronic Constant Current LED Driver 0-10V Dimming. Output Range of 64V to 107V for Single Output circuit 75W maximum.

## Technical Specification:

UL, CUL Recognized, ROHS Compliant

EMI FCC Part 15, Class A

Rating: IP 65 Damp, Dry

Output Open/Short Protection

Min. Starting Temp: -40° C

Max. Case Temp: 90° C

Typical Efficiency: 90%

Input Voltage range:  $\pm 10\%$

Output Load range  $\pm 5\%$

Input Frequency: 50/60HZ

THD: < 20%

Power Factor Min: 0.90

Remote Wiring Distance Full Load: 18AWG -18 ft

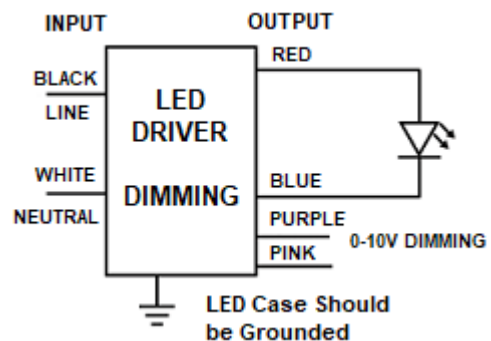
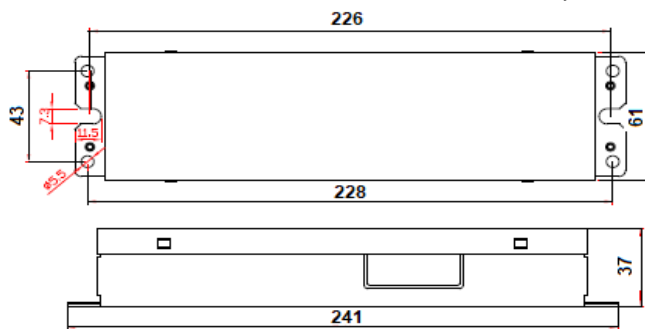
Case Size: Series FS3

Due to continuing efforts to offer improved products all specifications are subject to change without prior notice

INPUT VOLTAGE	INPUT CURRENT	INPUT WATTS	OUTPUT POWER WATTS MAX	OUTPUT VOLTAGE	OUTPUT CURRENT AMPS	MODEL
120	0.68A	83	75	64 to 107V	0.7A	NU700C75WSD
277	0.3A					

### LIMITED WARRANTY

5 YEAR at maximum case temperature 75 deg C. 3 YEAR at maximum case temperature 90 deg C. Manufacturer warrants to the purchaser: Product will be free from defects in material or workmanship from the date of manufacture conditioned upon proper storage, installation, use, and maintenance and conformance with any recommendations of Manufacturer



### Lead Length

Colour	inc	cm
Black	6	15.2
White	6	15.2
Blue	6	15.2
Red	6	15.2
Pink	7.1	18
Purple	7.1	18

### 0-10V Dimmer Compatibility Chart

LUTRON	LEVITON
NFTV	DS710-10Z
DVTV-WH	

### Case Size Series FS3

L	W	H	ML
241	61	37	226mm
9.5	2.4	1.46	8.9inch

**WARNING:** Always Disconnect Power Before Handling. Case Should be Grounded. Install in Accordance with National and Local Electrical Codes

901 - 3rd Street West, North Vancouver, BC V7P 3P9 Canada

TEL: 604-904-9533

www.sagedrivers.com www.sagelighting.com

*Sage Lighting Ltd.*

# LED DRIVER 100W 0-10V Dimming

Output 85V to 143V Constant Current **700mA** Max **100W**

Universal Voltage 120-277V Electronic Constant Current LED Driver 0-10V Dimming. Output Range of 85V to 143V for Single Output circuit 100W maximum.

## Technical Specification:

UL, CUL Recognized, ROHS Compliant  
 EMI FCC Part 15, Class A  
 Rating: IP 65 Damp, Dry  
 Output Open/Short Protection  
 Min. Starting Temp: - 40° C  
 Max. Case Temp: 90° C  
 Typical Efficiency: 92%

Input Voltage range:  $\pm 10\%$   
 Output Load range:  $\pm 5\%$   
 Input Frequency: 50/60HZ  
 THD: < 20%  
 Power Factor Min: 0.90  
 Remote Wiring Distance Full Load: 18AWG -18 ft

Case Size: Series MU2

Due to continuing efforts to offer improved products all specifications are subject to change without prior notice

3/5/23

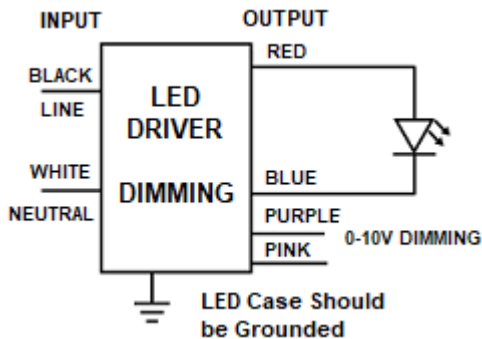
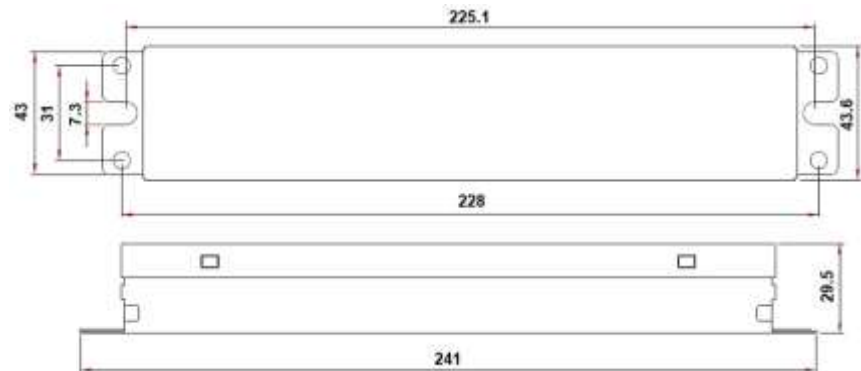
INPUT VOLTAGE	INPUT CURRENT	INPUT WATTS	OUTPUT POWER WATTS MAX	OUTPUT VOLTAGE	OUTPUT CURRENT AMPS	MODEL
120	1.0A	108	100	85 to 143V	0.7	NU700C100WSDIM
277	0.42A					

### LIMITED WARRANTY

5 YEAR at maximum case temperature 75 deg C. 3 YEAR at maximum case temperature 90 deg C. Manufacturer warrants to the purchaser: Product will be free from defects in material or workmanship from the date of manufacture conditioned upon proper storage, installation, use, and maintenance and conformance with any recommendations of Manufacturer

### Lead Length

Colour	inc	cm
Black	6	15.2
White	6	15.2
Blue	6	15.2
Red	6	15.2
Pink	7.1	18
Purple	7.1	18



### 0-10V Dimmer Compatibility Chart

LUTRON	LEVITON
NFTV	DS710-10Z
DVTV-WH	

### Case Size Series MU2

L	W	H	ML
241	43	29.5	226mm
9.5	1.7	1.2	8.9 inch

**WARNING:** Always Disconnect Power Before Handling. Case Should be Grounded. Install in Accordance with National and Local Electrical Codes



# LED DRIVER 120W 0-10V Dimming

Output Range 103V to 171V Constant Current **700mA** Max **120W**

Universal Voltage 120-277V Electronic Constant Current 700mA LED Driver 0-10V Dimming. Output Range of 103V to 171V for Single circuit 120W maximum.

## Technical Specification:

UL, CUL Recognized, ROHS Compliant

EMI FCC Part 15, Class A

Rating: IP 65 Damp, Dry

Output Open/Short Protection

Min. Starting Temp: - 40° C

Max. Case Temp: 90° C

Typical Efficiency: 90%

Input Voltage range:  $\pm 10\%$

Output Load range  $\pm 5\%$

Input Frequency: 50/60HZ

THD: < 20%

Power Factor Min: 0.90

Remote Wiring Distance Full Load: 18AWG -18 ft

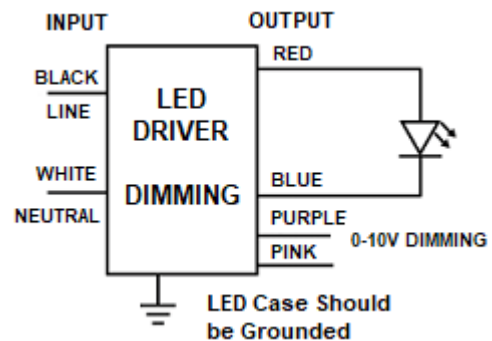
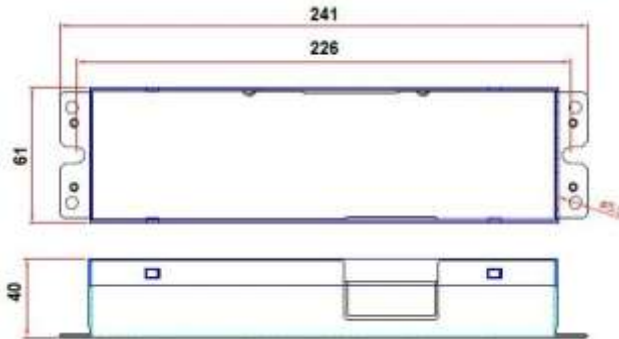
Case Size: Series FS4

Due to continuing efforts to offer improved products all specifications are subject to change without prior notice

INPUT VOLTAGE	INPUT CURRENT	INPUT WATTS	OUTPUT POWER WATTS MAX	OUTPUT VOLTAGE	OUTPUT CURRENT AMPS	MODEL
120V-277V	1.45A - 0.64A	166	150	103 to 171V	0.7A	<b>NU700C120WSD</b>

### LIMITED WARRANTY

5 YEAR at maximum case temperature 75 deg C. 3 YEAR at maximum case temperature 90 deg C. Manufacturer warrants to the purchaser: Product will be free from defects in material or workmanship from the date of manufacture conditioned upon proper storage, installation, use, and maintenance and conformance with any recommendations of Manufacturer



### Lead Length

Colour	inc	cm
Black	6	15.2
White	6	15.2
Blue	6	15.2
Red	6	15.2
Pink	7.1	18
Purple	7.1	18

### 0-10V Dimmer Compatibility Chart

LUTRON	LEVITON
NFTV	DS710-10Z
DVTV-WH	

### Case Size Series FS4

L	W	H	ML
241	61	40	226mm
9.5	2.4	1.57	8.9inch

**WARNING:** Always Disconnect Power Before Handling. Case Should be Grounded. Install in Accordance with National and Local Electrical Codes

# LED DRIVER 150W 0-10V Dimming

Output Range 128V to 214V Constant Current **700mA** Max **150W**

Universal Voltage 120-277V Electronic Constant Current 700mA LED Driver 0-10V Dimming. Output Range of 128V to 214V for Single circuit 150W maximum.

## Technical Specification:

UL, CUL Recognized, ROHS Compliant  
 EMI FCC Part 15, Class A  
 Rating: IP 65 Damp, Dry  
 Output Open/Short Protection  
 Min. Starting Temp: - 40° C  
 Max. Case Temp: 90° C  
 Typical Efficiency: 90%

Input Voltage range:  $\pm 10\%$   
 Output Load range  $\pm 5\%$   
 Input Frequency: 50/60HZ  
 THD: < 20%  
 Power Factor Min: 0.90  
 Remote Wiring Distance Full Load: 18AWG -18 ft

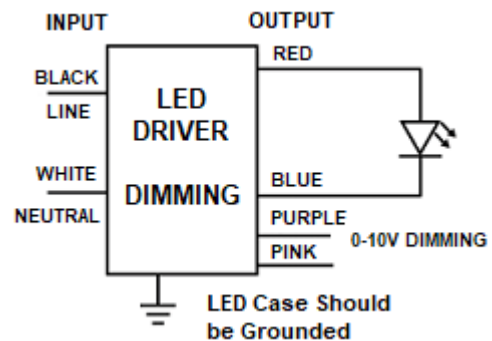
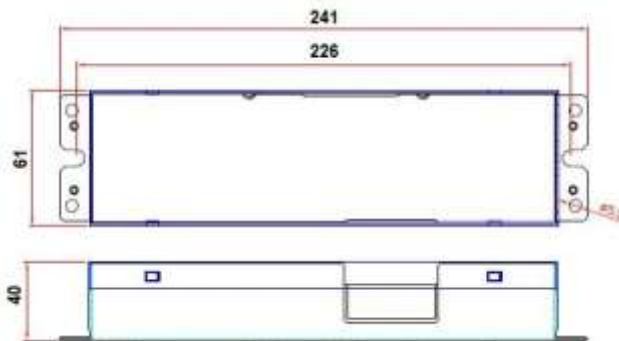
Case Size: Series FS4

Due to continuing efforts to offer improved products all specifications are subject to change without prior notice 5/4/22

INPUT VOLTAGE	INPUT CURRENT	INPUT WATTS	OUTPUT POWER WATTS MAX	OUTPUT VOLTAGE	OUTPUT CURRENT AMPS	MODEL
120V-277V	1.45A - 0.64A	166	150	128 to 214V	0.7A	<b>NU700C150WSDIM</b>

### LIMITED WARRANTY

5 YEAR at maximum case temperature 75 deg C. 3 YEAR at maximum case temperature 90 deg C. Manufacturer warrants to the purchaser: Product will be free from defects in material or workmanship from the date of manufacture conditioned upon proper storage, installation, use, and maintenance and conformance with any recommendations of Manufacturer



### Lead Length

Colour	inc	cm
Black	6	15.2
White	6	15.2
Blue	6	15.2
Red	6	15.2
Pink	7.1	18
Purple	7.1	18

### 0-10V Dimmer Compatibility Chart

LUTRON	LEVITON
NFTV	DS710-10Z
DVTV-WH	

### Case Size Series FS4

L	W	H	ML
241	61	40	226mm
9.5	2.4	1.57	8.9inch

**WARNING:** Always Disconnect Power Before Handling. Case Should be Grounded. Install in Accordance with National and Local Electrical Codes

# LED DRIVER 200W 0-10V Dimming

Output Range 171V to 285V Constant Current **700mA** Max **200W**

Universal Voltage 120-277V Electronic Constant Current 700mA LED Driver 0-10V Dimming. Output Range of 171V to 285V for Single circuit 200W maximum.

## Technical Specification:

UL, CUL Recognized, ROHS Compliant  
 EMI FCC Part 15, Class A  
 Rating: IP 65 Damp, Dry  
 Output Open/Short Protection  
 Min. Starting Temp: - 40° C  
 Max. Case Temp: 90° C  
 Typical Efficiency: 93%

Input Voltage range:  $\pm 10\%$   
 Output Load range:  $\pm 5\%$   
 Input Frequency: 50/60HZ  
 THD: < 20%  
 Power Factor Min: 0.90  
 Remote Wiring Distance Full Load: 18AWG - 18 ft

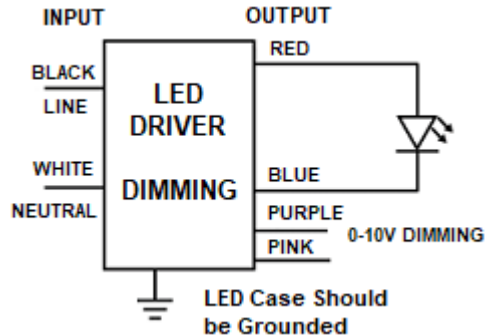
**Case Size: Series FS5**

Due to continuing efforts to offer improved products all specifications are subject to change without prior notice

INPUT VOLTAGE	INPUT CURRENT	INPUT WATTS	OUTPUT POWER WATTS MAX	OUTPUT VOLTAGE	OUTPUT CURRENT AMPS	MODEL
120V-277V	1.78A - 0.78A	215	200	171 to 285V	0.7A	<b>NU700C200WSD</b>

### LIMITED WARRANTY

5 YEAR at maximum case temperature 75 deg C. 3 YEAR at maximum case temperature 90 deg C. Manufacturer warrants to the purchaser: Product will be free from defects in material or workmanship from the date of manufacture conditioned upon proper storage, installation, use, and maintenance and conformance with any recommendations of Manufacturer



### Lead Length

Colour	inc	cm
Black	6	15.2
White	6	15.2
Blue	6	15.2
Red	6	15.2
Pink	7.1	18
Purple	7.1	18

### 0-10V Dimmer Compatibility Chart

LUTRON	LEVITON
NFTV	DS710-10Z
DVTV-WH	

### Case Size Series FS5

L	W	H	ML
241	66	40.5	226mm
9.5	2.6	1.6	8.9inch

**WARNING:** Always Disconnect Power Before Handling. Case Should be Grounded. Install in Accordance with National and Local Electrical Codes

# LED DRIVER 34W 0-10V Dimming

Output Range 25V to 42V Constant Current **800mA** Max **34W**

Universal Voltage 120-277V Electronic Constant Current LED Driver 0-10V Dimming. Output Range of 25V to 42V for Single circuit 34W maximum.

## Technical Specification:

Class 2 UL, CUL Recognized, ROHS Compliant

EMI FCC Part 15, Class A

Rating: IP 65 Damp, Dry

Output Open/Short Protection

Min. Starting Temp: -40° C

Max. Case Temp: 90° C

Typical Efficiency: 85%

Input Voltage range:  $\pm 10\%$

Output Load range:  $\pm 5\%$

Input Frequency: 50/60HZ

THD: < 20%

Power Factor Min: 0.90

Remote Wiring Distance Full Load: 18AWG -18 ft

Case Size: Series MU2

Due to continuing efforts to offer improved products all specifications are subject to change without prior notice

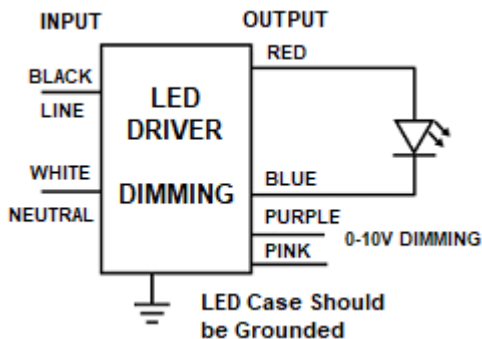
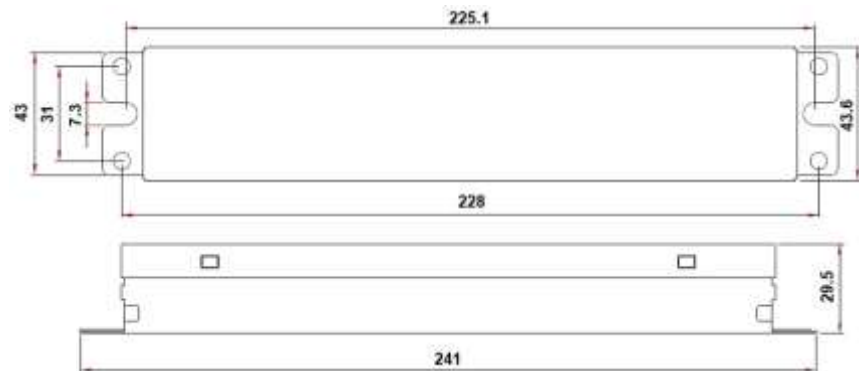
INPUT VOLTAGE	INPUT CURRENT	INPUT WATTS	OUTPUT POWER WATTS MAX	OUTPUT VOLTAGE	OUTPUT CURRENT AMPS	MODEL
120	0.79A	40	34	25 to 42V	0.8A	NU800C34WSD
277	0.34A					

### LIMITED WARRANTY

5 YEAR at maximum case temperature 75 deg C. 3 YEAR at maximum case temperature 90 deg C. Manufacturer warrants to the purchaser: Product will be free from defects in material or workmanship from the date of manufacture conditioned upon proper storage, installation, use, and maintenance and conformance with any recommendations of Manufacturer

### Lead Length

Colour	inc	cm
Black	6	15.2
White	6	15.2
Blue	6	15.2
Red	6	15.2
Pink	7.1	18
Purple	7.1	18



### 0-10V Dimmer Compatibility Chart

LUTRON	LEVITON
NFTV	DS710-10Z
DVTV-WH	

### Case Size Series MU2

L	W	H	ML
241	43	29.5	226mm
9.5	1.7	1.2	8.9 inch

**WARNING:** Always Disconnect Power Before Handling. Case Should be Grounded. Install in Accordance with National and Local Electrical Codes

# LED DRIVER 34W 0-10V Dimming

Output Range 25V to 42V Constant Current **800mA** Max **34W**

Universal Voltage 120-277V Electronic Constant Current LED Driver 0-10V Dimming. Output Range of 25V to 42V for Single circuit 34W maximum.

## Technical Specification:

Class 2 UL, CUL Recognized, ROHS Compliant  
 EMI FCC Part 15, Class A  
 Rating: IP 65 Damp, Dry  
 Output Open/Short Protection  
 Min. Starting Temp: -40° C  
 Max. Case Temp: 90° C  
 Typical Efficiency: 85%

Input Voltage range:  $\pm 10\%$   
 Output Load range  $\pm 5\%$   
 Input Frequency: 50/60HZ  
 THD: < 20%  
 Power Factor Min: 0.90  
 Remote Wiring Distance Full Load: 18AWG -18 ft  
 Bottom Mount Studs

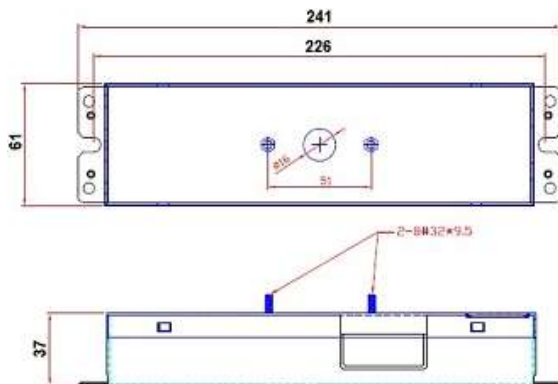
Case Size: Series FS3

Due to continuing efforts to offer improved products all specifications are subject to change without prior notice

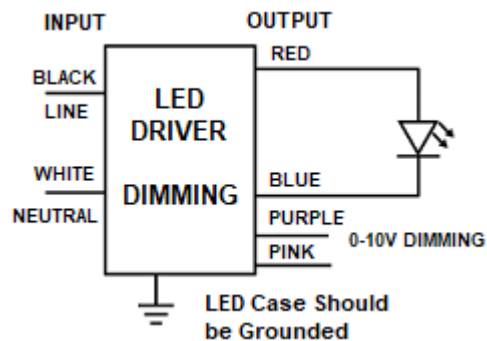
INPUT VOLTAGE	INPUT CURRENT	INPUT WATTS	OUTPUT POWER WATTS MAX	OUTPUT VOLTAGE	OUTPUT CURRENT AMPS	MODEL
120	0.79A	40	34	25 to 42V	0.8A	NU800C34WSBD
277	0.34A					

### LIMITED WARRANTY

5 YEAR at maximum case temperature 75 deg C. 3 YEAR at maximum case temperature 90 deg C. Manufacturer warrants to the purchaser: Product will be free from defects in material or workmanship from the date of manufacture conditioned upon proper storage, installation, use, and maintenance and conformance with any recommendations of Manufacturer



**WARNING:** Always Disconnect Power Before Handling. Case Should be Grounded. Install in Accordance with National and Local Electrical Codes



### 0-10V Dimmer Compatibility Chart

LUTRON	LEVITON
NFTV	DS710-10Z
DVTV-WH	

### Case Size Series FS3

L	W	H	ML
241	61	37	226mm
9.5	2.4	1.46	8.9inch

### Lead Length

Colour	inc	cm
Black	6	15.2
White	6	15.2
Blue	6	15.2
Red	6	15.2
Pink	7.1	18
Purple	7.1	18

# LED DRIVER 72W 0-10V Dimming

Output Range 48V to 80V Constant Current **900mA** Max **72W**

Universal Voltage 120-277V Electronic Constant Current LED Driver 0-10V Dimming. Output Range of 48V to 80V for Single circuit 72W maximum.

## Technical Specification:

UL, CUL Recognized, ROHS Compliant

EMI FCC Part 15, Class A

Rating: IP 65 Damp, Dry

Output Open/Short Protection

Min. Starting Temp: -40° C

Max. Case Temp: 90° C

Typical Efficiency: 86%

Input Voltage range:  $\pm 10\%$

Output Load range:  $\pm 5\%$

Input Frequency: 50/60HZ

THD: < 20%

Power Factor Min: 0.90

Remote Wiring Distance Full Load: 18AWG -18 ft

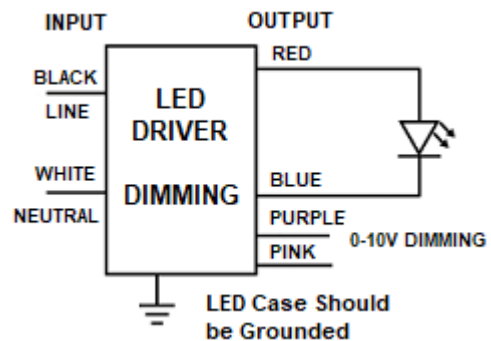
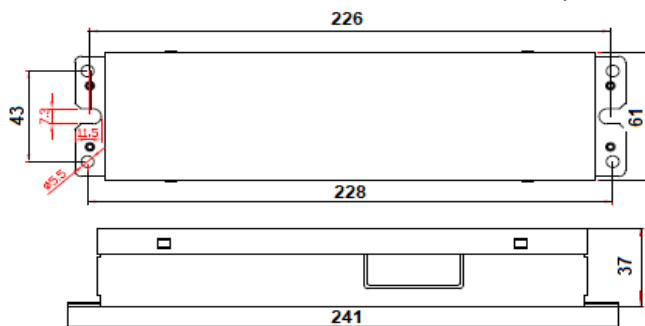
Case Size: Series FS3

Due to continuing efforts to offer improved products all specifications are subject to change without prior notice

INPUT VOLTAGE	INPUT CURRENT	INPUT WATTS	OUTPUT POWER WATTS MAX	OUTPUT VOLTAGE	OUTPUT CURRENT AMPS	MODEL
120	0.79A	84	72	48 to 80V	0.9A	NU900C72WSD
277	0.34A					

### LIMITED WARRANTY

5 YEAR at maximum case temperature 75 deg C. 3 YEAR at maximum case temperature 90 deg C. Manufacturer warrants to the purchaser: Product will be free from defects in material or workmanship from the date of manufacture conditioned upon proper storage, installation, use, and maintenance and conformance with any recommendations of Manufacturer



### Lead Length

Colour	inc	cm
Black	6	15.2
White	6	15.2
Blue	6	15.2
Red	6	15.2
Pink	7.1	18
Purple	7.1	18

### 0-10V Dimmer Compatibility Chart

LUTRON	LEVITON
NFTV	DS710-10Z
DVTV-WH	

### Case Size Series FS3

L	W	H	ML
241	61	37	226mm
9.5	2.4	1.46	8.9inch

**WARNING:** Always Disconnect Power Before Handling. Case Should be Grounded. Install in Accordance with National and Local Electrical Codes

# LED DRIVER 200W 0-10V Dimming

Output Range 120V to 200V Constant Current **1000mA** Max **200W**

Universal Voltage 120-277V Electronic Constant Current 1000mA LED Driver 0-10V Dimming. Output Range of 120V to 200V for Single circuit 200W maximum.

## Technical Specification:

Class 1 UL, CUL Recognized, ROHS Compliant  
 EMI FCC Part 15, Class A  
 Rating: IP 65 Damp, Dry  
 Output Open/Short Protection  
 Min. Starting Temp: - 40° C  
 Max. Case Temp: 90° C  
 Typical Efficiency: 93%

Input Voltage range:  $\pm 10\%$   
 Output Load range  $\pm 5\%$   
 Input Frequency: 50/60HZ  
 THD: < 20%  
 Power Factor Min: 0.90  
 Remote Wiring Distance Full Load: 18AWG - 18 ft

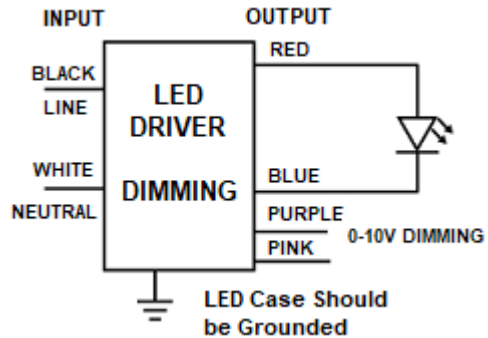
Case Size: Series FS5

Due to continuing efforts to offer improved products all specifications are subject to change without prior notice

INPUT VOLTAGE	INPUT CURRENT	INPUT WATTS	OUTPUT POWER WATTS MAX	OUTPUT VOLTAGE	OUTPUT CURRENT AMPS	MODEL
120V-277V	1.78A - 0.78A	215	200	120 to 200V	1.0A	<b>NU1000C200WSD</b>

### LIMITED WARRANTY

5 YEAR at maximum case temperature 75 deg C. 3 YEAR at maximum case temperature 90 deg C. Manufacturer warrants to the purchaser: Product will be free from defects in material or workmanship from the date of manufacture conditioned upon proper storage, installation, use, and maintenance and conformance with any recommendations of Manufacturer



### Lead Length

Colour	inc	cm
Black	6	15.2
White	6	15.2
Blue	6	15.2
Red	6	15.2
Pink	7.1	18
Purple	7.1	18

### 0-10V Dimmer Compatibility Chart

LUTRON	LEVITON
NFTV	DS710-10Z
DVTV-WH	

### Case Size Series FS5

L	W	H	ML
241	66	40.5	226mm
9.5	2.6	1.6	8.9inch

**WARNING:** Always Disconnect Power Before Handling. Case Should be Grounded. Install in Accordance with National and Local Electrical Codes

# LED DRIVER 14W 0-10V Dimming

Output Range 9V to 13V Constant Current **1050mA** Max **14W**  
Small Case Size Side Leads

Universal Voltage 120-277V Electronic Constant Current LED Driver Output Range of 9V to 13V for Single Output circuit 14W maximum. Dimming Range 10-100%.

## Technical Specification:

Class 2 UL, CUL Recognized, ROHS Compliant  
EMI FCC Part 15, Class A  
Rating: IP 65 Damp, Dry  
Output Open/Short Protection  
Min. Starting Temp: - 40° C  
Max. Case Temp: 90° C  
Typical Efficiency: 66%

Input Voltage range:  $\pm 10\%$   
Output Load range  $\pm 5\%$   
Input Frequency: 50/60HZ  
THD: < 20%  
Power Factor Min: 0.90  
Remote Wiring Distance Full Load: 18AWG -18 ft

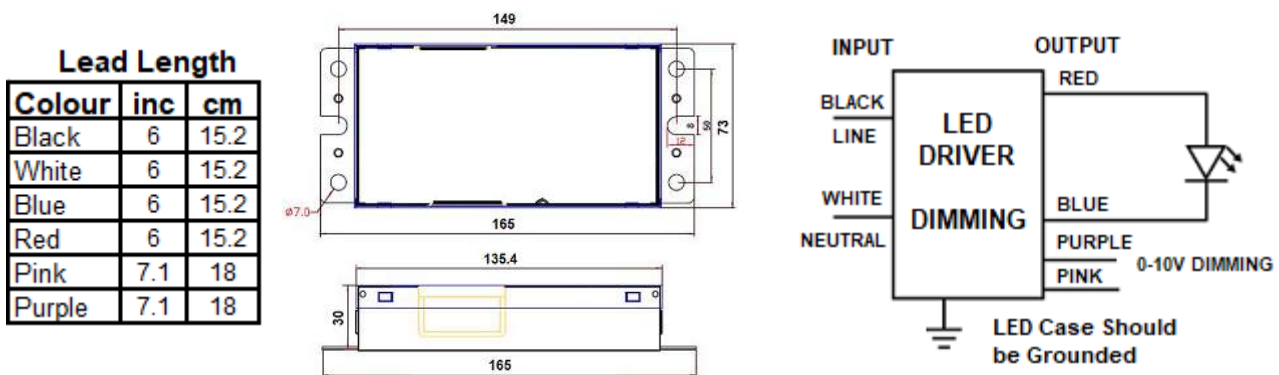
Case Size: Series C4S

Due to continuing efforts to offer improved products all specifications are subject to change without prior notice

INPUT VOLTAGE	INPUT CURRENT	INPUT WATTS	OUTPUT POWER WATTS MAX	OUTPUT VOLTAGE	OUTPUT CURRENT AMPS	MODEL
120	0.27A	21	14	9 to 13V	1.05A	<b>NU1050C14WSD</b>
277	0.11A					

### LIMITED WARRANTY

5 YEAR at maximum case temperature 75 deg C. 3 YEAR at maximum case temperature 90 deg C. Manufacturer warrants to the purchaser: Product will be free from defects in material or workmanship from the date of manufacture conditioned upon proper storage, installation, use, and maintenance and conformance with any recommendations of Manufacturer



### 0-10V Dimmer Compatibility Chart

LUTRON	LEVITON
NFTV	DS710-10Z
DVTV-WH	

### Case Size Series C4S

L	W	H	ML
165	73	30	149mm
6.5	2.87	1.18	5.9inch

**WARNING:** Always Disconnect Power Before Handling. Case Should be Grounded. Install in Accordance with National and Local Electrical Codes



# LED DRIVER 60W 0-10V Dimming

Output Range 34V to 57V Constant Current **1050mA** Max **60W**

Universal Voltage 120-277V Electronic Constant Current LED Driver 0-10V Dimming. Output Range of 34V to 57V for Single circuit 60W maximum.

## Technical Specification:

Class 2 UL, CUL Recognized, ROHS Compliant  
 EMI FCC Part 15, Class A  
 Rating: IP 65 Damp, Dry  
 Output Open/Short Protection  
 Min. Starting Temp: - 40° C  
 Max. Case Temp: 90° C  
 Typical Efficiency: 89%

Input Voltage range:  $\pm 10\%$   
 Output Load range:  $\pm 5\%$   
 Input Frequency: 50/60HZ  
 THD: < 20%  
 Power Factor Min: 0.90  
 Remote Wiring Distance Full Load: 18AWG -18 ft

Case Size: Series MU2

Due to continuing efforts to offer improved products all specifications are subject to change without prior notice

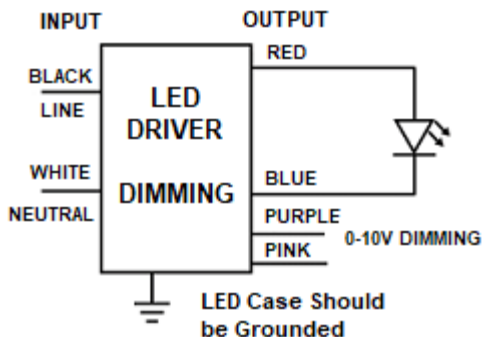
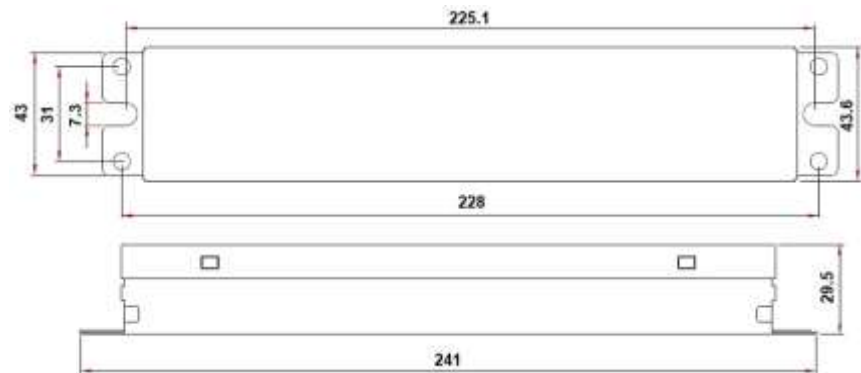
INPUT VOLTAGE	INPUT CURRENT	INPUT WATTS	OUTPUT POWER WATTS MAX	OUTPUT VOLTAGE	OUTPUT CURRENT AMPS	MODEL
120	0.61A	68	60	34 to 57V	1.05A	NU1050C60WSDIM
277	0.26A					

### LIMITED WARRANTY

5 YEAR at maximum case temperature 75 deg C. 3 YEAR at maximum case temperature 90 deg C. Manufacturer warrants to the purchaser: Product will be free from defects in material or workmanship from the date of manufacture conditioned upon proper storage, installation, use, and maintenance and conformance with any recommendations of Manufacturer

### Lead Length

Colour	inc	cm
Black	6	15.2
White	6	15.2
Blue	6	15.2
Red	6	15.2
Pink	7.1	18
Purple	7.1	18



### 0-10V Dimmer Compatibility Chart

LUTRON	LEVITON
NFTV	DS710-10Z
DVTV-WH	

### Case Size Series MU2

L	W	H	ML
241	43	29.5	226mm
9.5	1.7	1.2	8.9 inch

**WARNING:** Always Disconnect Power Before Handling. Case Should be Grounded. Install in Accordance with National and Local Electrical Codes

# LED DRIVER 62W 0-10V Dimming

Output Range 39V to 65V Constant Current **1050mA** Max **62W**

Universal Voltage 120-277V Electronic Constant Current LED Driver 0-10V Dimming. Output Range of 39V to 65V for Single circuit 62W maximum.

## Technical Specification:

UL, CUL Recognized, ROHS Compliant  
 EMI FCC Part 15, Class A  
 Rating: IP 65 Damp, Dry  
 Output Open/Short Protection  
 Min. Starting Temp: - 40° C  
 Max. Case Temp: 90° C  
 Typical Efficiency: 86%

Input Voltage range:  $\pm 10\%$   
 Output Load range:  $\pm 5\%$   
 Input Frequency: 50/60HZ  
 THD: < 20%  
 Power Factor Min: 0.90  
 Remote Wiring Distance Full Load: 18AWG -18 ft

Case Size: Series MU2

Due to continuing efforts to offer improved products all specifications are subject to change without prior notice

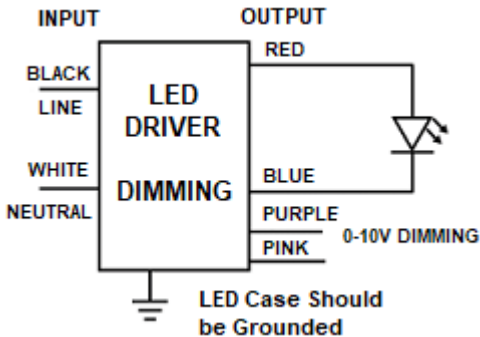
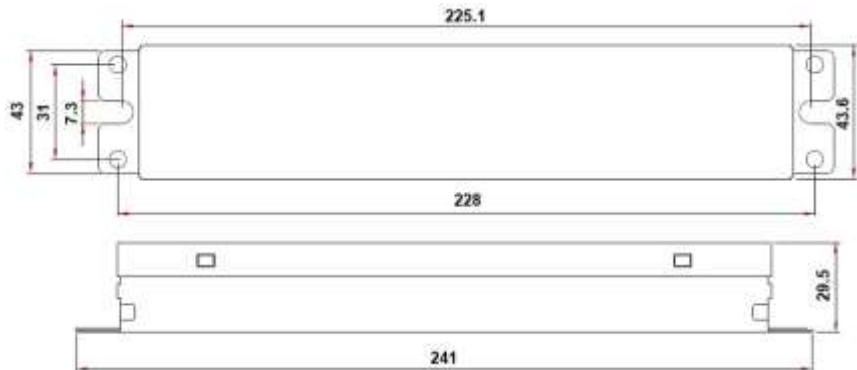
INPUT VOLTAGE	INPUT CURRENT	INPUT WATTS	OUTPUT POWER WATTS MAX	OUTPUT VOLTAGE	OUTPUT CURRENT AMPS	MODEL
120	0.79A	72	62	39 to 65V	1.05A	NU1050C62WSD
277	0.34A					

### LIMITED WARRANTY

5 YEAR at maximum case temperature 75 deg C. 3 YEAR at maximum case temperature 90 deg C. Manufacturer warrants to the purchaser: Product will be free from defects in material or workmanship from the date of manufacture conditioned upon proper storage, installation, use, and maintenance and conformance with any recommendations of Manufacturer

### Lead Length

Colour	inc	cm
Black	6	15.2
White	6	15.2
Blue	6	15.2
Red	6	15.2
Pink	7.1	18
Purple	7.1	18



### 0-10V Dimmer Compatibility Chart

LUTRON	LEVITON
NFTV	DS710-10Z
DVTV-WH	

### Case Size Series MU2

L	W	H	ML
241	43	29.5	226mm
9.5	1.7	1.2	8.9 inch

**WARNING:** Always Disconnect Power Before Handling. Case Should be Grounded. Install in Accordance with National and Local Electrical Codes

# LED DRIVER 84W 0-10V Dimming

Output Range 48V to 80V Constant Current **1050mA** Max **84W**

Universal Voltage 120-277V Electronic Constant Current LED Driver 0-10V Dimming. Output Range of 48V to 80V for Single circuit 84W maximum.

## Technical Specification:

UL, CUL Recognized, ROHS Compliant

EMI FCC Part 15, Class A

Rating: IP 65 Damp, Dry

Output Open/Short Protection

Min. Starting Temp: -40° C

Max. Case Temp: 90° C

Typical Efficiency: 86%

Input Voltage range:  $\pm 10\%$

Output Load range:  $\pm 5\%$

Input Frequency: 50/60HZ

THD: < 20%

Power Factor Min: 0.90

Remote Wiring Distance Full Load: 18AWG -18 ft

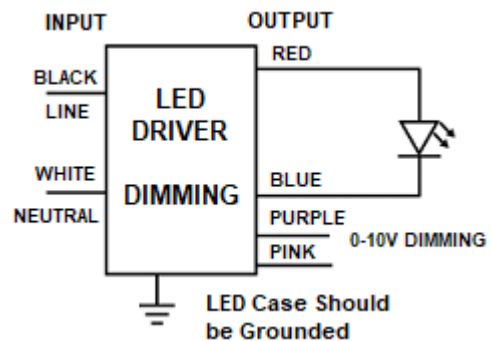
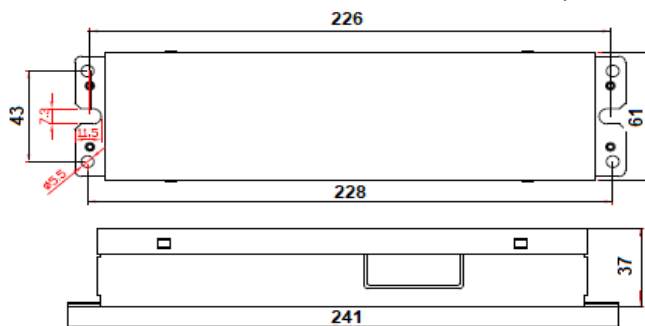
Case Size: Series FS3

Due to continuing efforts to offer improved products all specifications are subject to change without prior notice

INPUT VOLTAGE	INPUT CURRENT	INPUT WATTS	OUTPUT POWER WATTS MAX	OUTPUT VOLTAGE	OUTPUT CURRENT AMPS	MODEL
120	0.79A	95	84	48 to 80V	1.05A	<b>NU1050C84WSD</b>
277	0.34A					

### LIMITED WARRANTY

5 YEAR at maximum case temperature 75 deg C. 3 YEAR at maximum case temperature 90 deg C. Manufacturer warrants to the purchaser: Product will be free from defects in material or workmanship from the date of manufacture conditioned upon proper storage, installation, use, and maintenance and conformance with any recommendations of Manufacturer



### Lead Length

Colour	inc	cm
Black	6	15.2
White	6	15.2
Blue	6	15.2
Red	6	15.2
Pink	7.1	18
Purple	7.1	18

### 0-10V Dimmer Compatibility Chart

LUTRON	LEVITON
NFTV	DS710-10Z
DVTV-WH	

### Case Size Series FS3

L	W	H	ML
241	61	37	226mm
9.5	2.4	1.46	8.9inch

**WARNING:** Always Disconnect Power Before Handling. Case Should be Grounded. Install in Accordance with National and Local Electrical Codes

# LED DRIVER 100W 0-10V Dimming

Output Range 58V to 96V Constant Current **1050mA** Max **100W**

Universal Voltage 120-277V Electronic Constant Current LED Driver 0-10V Dimming. Output Range of 58V - 96V for Single circuit 100W maximum.

## Technical Specification:

UL, CUL Recognized, ROHS Compliant  
 EMI FCC Part 15, Class A  
 Rating: IP 65 Damp, Dry  
 Output Open/Short Protection  
 Min. Starting Temp: - 40° C  
 Max. Case Temp: 90° C  
 Typical Efficiency: 88%

Input Voltage range:  $\pm 10\%$   
 Output Load range  $\pm 5\%$   
 Input Frequency: 50/60HZ  
 THD: < 20%  
 Power Factor Min: 0.90  
 Remote Wiring Distance Full Load: 18AWG -18 ft

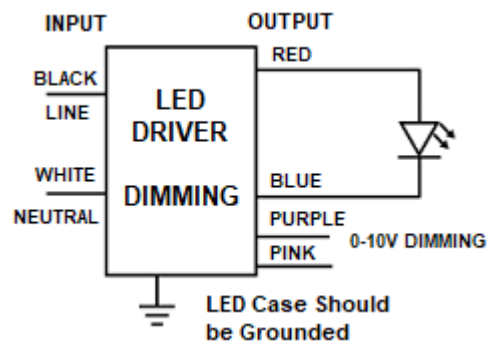
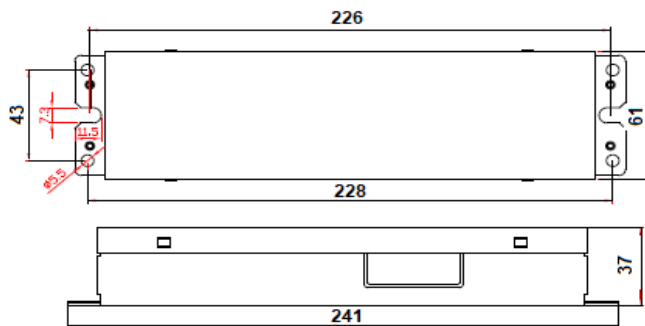
**Case Size: Series FS3**

Due to continuing efforts to offer improved products all specifications are subject to change without prior notice

INPUT VOLTAGE	INPUT CURRENT	INPUT WATTS	OUTPUT POWER WATTS MAX	OUTPUT VOLTAGE	OUTPUT CURRENT AMPS	MODEL
120	1.2A	114	100	58 to 96V	1.05A	<b>NU1050C100WSDIM</b>
277	0.52A					

### LIMITED WARRANTY

5 YEAR at maximum case temperature 75 deg C. 3 YEAR at maximum case temperature 90 deg C. Manufacturer warrants to the purchaser: Product will be free from defects in material or workmanship from the date of manufacture conditioned upon proper storage, installation, use, and maintenance and conformance with any recommendations of Manufacturer



### Lead Length

Colour	inc	cm
Black	6	15.2
White	6	15.2
Blue	6	15.2
Red	6	15.2
Pink	7.1	18
Purple	7.1	18

### 0-10V Dimmer Compatibility Chart

LUTRON	LEVITON
NFTV	DS710-10Z
DVTV-WH	

### Case Size Series FS3

L	W	H	ML
241	61	37	226mm
9.5	2.4	1.46	8.9inch

**WARNING:** Always Disconnect Power Before Handling. Case Should be Grounded. Install in Accordance with National and Local Electrical Codes

# LED DRIVER 150W 0-10V Dimming

Output Range 86V to 143V Constant Current **1050mA** Max 150W

Universal Voltage 120-277V Electronic Constant Current 1050mA LED Driver. 0-10V Dimming. Output Range of 86V to 143V for Single circuit 150W maximum.

## Technical Specification:

UL, CUL Recognized, ROHS Compliant  
 EMI FCC Part 15, Class A  
 Rating: IP 65 Damp, Dry  
 Output Open/Short Protection  
 Min. Starting Temp: - 40° C  
 Max. Case Temp: 90° C  
 Typical Efficiency: 90%

Input Voltage range:  $\pm 10\%$   
 Output Load range  $\pm 5\%$   
 Input Frequency: 50/60HZ  
 THD: < 20%  
 Power Factor Min: 0.90  
 Remote Wiring Distance Full Load: 18AWG - 18 ft

Case Size: Series FS4

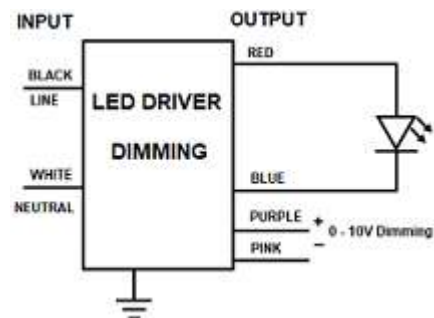
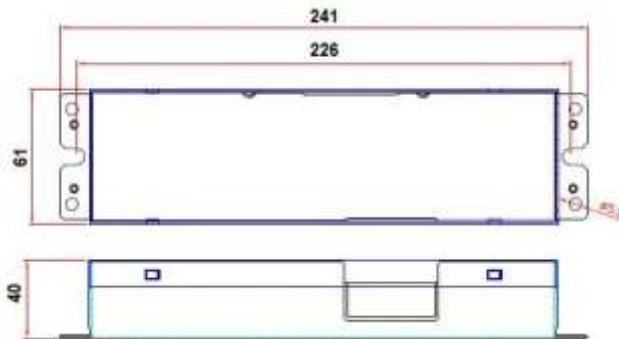
Due to continuing efforts to offer improved products all specifications are subject to change without prior notice

3/2/22

INPUT VOLTAGE	INPUT CURRENT	INPUT WATTS	OUTPUT POWER WATTS MAX	OUTPUT VOLTAGE	OUTPUT CURRENT AMPS	MODEL
120V-277V	1.45A - 0.64A	170	150	86 to 143V	1.05A	<b>NU1050C150WSD</b>

### LIMITED WARRANTY

5 YEAR at maximum case temperature 75 deg C. 3 YEAR at maximum case temperature 90 deg C. Manufacturer warrants to the purchaser: Product will be free from defects in material or workmanship from the date of manufacture conditioned upon proper storage, installation, use, and maintenance and conformance with any recommendations of Manufacturer



### Lead Length

Colour	inc	cm
Black	6	15.2
White	6	15.2
Blue	6	15.2
Red	6	15.2
Pink	7.1	18
Purple	7.1	18

### 0-10V Dimmer Compatibility Chart

LUTRON	LEVITON
NFTV	DS710-10Z
DVTV-WH	

### Case Size Series FS4

L	W	H	ML
241	61	40	226mm
9.5	2.4	1.57	8.9inch

**WARNING: Always Disconnect Power Before Handling. Case Should be Grounded. Install in Accordance with National and Local Electrical Codes.**

# LED DRIVER 200W 0-10V Dimming

Output Range 114V to 190V Constant Current **1050mA** Max **200W**

Universal Voltage 120-277V Electronic Constant Current 1050mA LED Driver 0-10V Dimming. Output Range of 114V to 190V for Single circuit 200W maximum.

## Technical Specification:

UL, CUL Recognized, ROHS Compliant  
 EMI FCC Part 15, Class A  
 Rating: IP 65 Damp, Dry  
 Output Open/Short Protection  
 Min. Starting Temp: - 40° C  
 Max. Case Temp: 90° C  
 Typical Efficiency: 89%

Input Voltage range:  $\pm 10\%$   
 Output Load range:  $\pm 5\%$   
 Input Frequency: 50/60HZ  
 THD: < 20%  
 Power Factor Min: 0.90  
 Remote Wiring Distance Full Load: 18AWG - 18 ft  
 Surge: 2KV

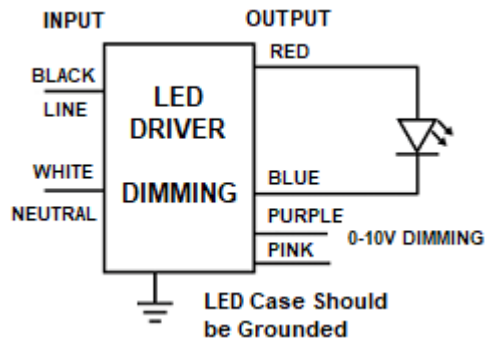
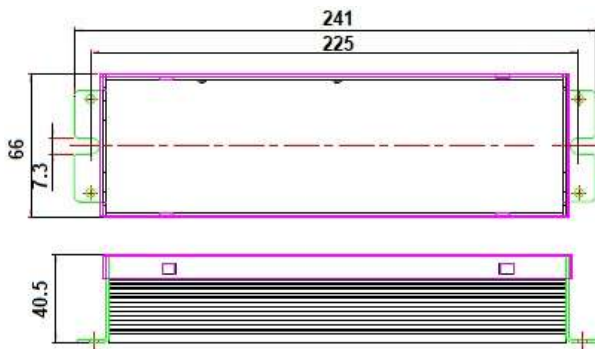
Case Size: Series FS5

Due to continuing efforts to offer improved products all specifications are subject to change without prior notice

INPUT VOLTAGE	INPUT CURRENT	INPUT WATTS	OUTPUT POWER WATTS MAX	OUTPUT VOLTAGE	OUTPUT CURRENT AMPS	MODEL
120V-277V	1.78A - 0.78A	225	200	114 to 190V	1.05A	<b>NU1050C200WSD</b>

### LIMITED WARRANTY

5 YEAR at maximum case temperature 75 deg C. 3 YEAR at maximum case temperature 90 deg C. Manufacturer warrants to the purchaser: Product will be free from defects in material or workmanship from the date of manufacture conditioned upon proper storage, installation, use, and maintenance and conformance with any recommendations of Manufacturer



### Lead Length

Colour	inc	cm
Black	6	15.2
White	6	15.2
Blue	6	15.2
Red	6	15.2
Pink	7.1	18
Purple	7.1	18

### 0-10V Dimmer Compatibility Chart

LUTRON	LEVITON
NFTV	DS710-10Z
DVTV-WH	

### Case Size Series FS5

L	W	H	ML
241	66	40.5	226mm
9.5	2.6	1.6	8.9inch

**WARNING:** Always Disconnect Power Before Handling. Case Should be Grounded. Install in Accordance with National and Local Electrical Codes

# LED DRIVER 44W 0-10V Dimming

Output Range 24V to 40V Constant Current **1100mA** Max **44W**

Universal Voltage 120-277V Electronic Constant Current LED Driver 0-10V Dimming. Output Range of 24V to 40V for Single circuit 44W maximum.

## Technical Specification:

Class 2 UL, CUL Recognized, ROHS Compliant

EMI FCC Part 15, Class A

Rating: IP 65 Damp, Dry

Output Open/Short Protection

Min. Starting Temp: - 40° C

Max. Case Temp: 90° C

Typical Efficiency: 86%

Input Voltage range:  $\pm 10\%$

Output Load range  $\pm 5\%$

Input Frequency: 50/60HZ

THD: < 20%

Power Factor Min: 0.90

Remote Wiring Distance Full Load: 18AWG -18 ft

Case Size: Series MU2

Due to continuing efforts to offer improved products all specifications are subject to change without prior notice

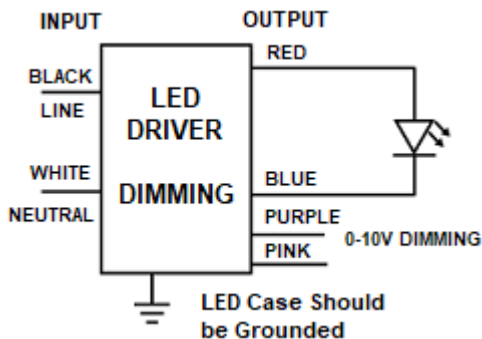
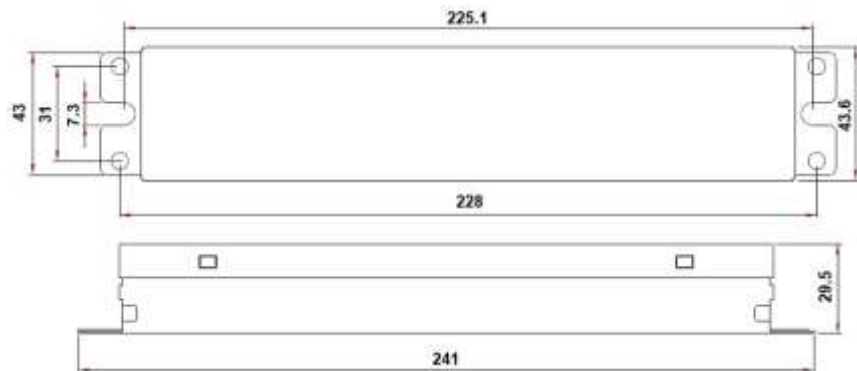
INPUT VOLTAGE	INPUT CURRENT	INPUT WATTS	OUTPUT POWER WATTS MAX	OUTPUT VOLTAGE	OUTPUT CURRENT AMPS	MODEL
120	0.60A	51	44	24 to 40V	1.1A	NU1100C44WSD
277	0.26A					

### LIMITED WARRANTY

5 YEAR at maximum case temperature 75 deg C. 3 YEAR at maximum case temperature 90 deg C. Manufacturer warrants to the purchaser: Product will be free from defects in material or workmanship from the date of manufacture conditioned upon proper storage, installation, use, and maintenance and conformance with any recommendations of Manufacturer

### Lead Length

Colour	inc	cm
Black	6	15.2
White	6	15.2
Blue	6	15.2
Red	6	15.2
Pink	7.1	18
Purple	7.1	18



### 0-10V Dimmer Compatibility Chart

LUTRON	LEVITON
NFTV	DS710-10Z
DVTV-WH	

### Case Size Series MU2

L	W	H	ML
241	43	29.5	226mm
9.5	1.7	1.2	8.9 inch

**WARNING:** Always Disconnect Power Before Handling. Case Should be Grounded. Install in Accordance with National and Local Electrical Codes

901 - 3rd Street West, North Vancouver, BC V7P 3P9 Canada

TEL: 604-904-9533

www.sagedrivers.com www.sagelighting.com

*Sage  
Lighting Ltd.*

# LED DRIVER 115W 0-10V Dimming

Output Range 58V to 96V Constant Current **1200mA** Max **115W**

Universal Voltage 120-277V Electronic Constant Current LED Driver 0-10V Dimming. Output Range of 58V to 96V for Single Output circuit 115W maximum.

## Technical Specification:

UL, CUL Recognized, ROHS Compliant  
 EMI FCC Part 15, Class A  
 Rating: IP 65 Damp, Dry  
 Output Open/Short Protection  
 Min. Starting Temp: - 40° C  
 Max. Case Temp: 90° C  
 Typical Efficiency: 88%

Input Voltage range:  $\pm 10\%$   
 Output Load range:  $\pm 5\%$   
 Input Frequency: 50/60HZ  
 THD: < 20%  
 Power Factor Min: 0.90  
 Remote Wiring Distance Full Load: 18AWG -18 ft

Case Size: Series FS3

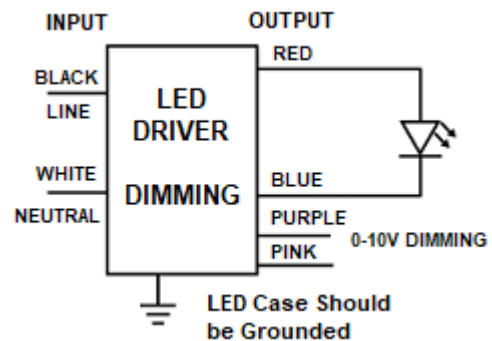
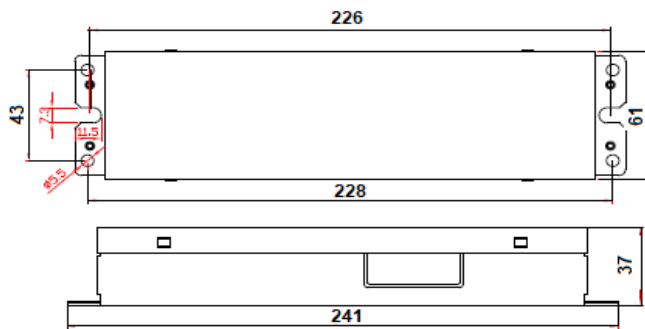
Due to continuing efforts to offer improved products all specifications are subject to change without prior notice

2/1/18

INPUT VOLTAGE	INPUT CURRENT	INPUT WATTS	OUTPUT POWER WATTS MAX	OUTPUT VOLTAGE	OUTPUT CURRENT AMPS	MODEL
120	1.2A	130	115	58 to 96V	1.2A	NU1200C115WSDIM
277	0.52A					

### LIMITED WARRANTY

5 YEAR at maximum case temperature 75 deg C. 3 YEAR at maximum case temperature 90 deg C. Manufacturer warrants to the purchaser: Product will be free from defects in material or workmanship from the date of manufacture conditioned upon proper storage, installation, use, and maintenance and conformance with any recommendations of Manufacturer



### Lead Length

Colour	inc	cm
Black	6	15.2
White	6	15.2
Blue	6	15.2
Red	6	15.2
Pink	7.1	18
Purple	7.1	18

### 0-10V Dimmer Compatibility Chart

LUTRON	LEVITON
NFTV	DS710-10Z
DVTV-WH	

### Case Size Series FS3

L	W	H	ML
241	61	37	226mm
9.5	2.4	1.46	8.9inch

**WARNING:** Always Disconnect Power Before Handling. Case Should be Grounded. Install in Accordance with National and Local Electrical Codes



# LED DRIVER 52W 0-10V Dimming

Output Range 25V to 42V Constant Current **1240mA** Max **52W**

Universal Voltage 120-277V Electronic Constant Current LED Driver 0-10V Dimming. Output Range of 25V to 42V for Single circuit 52W maximum.

## Technical Specification:

Class 2 UL, CUL Recognized, ROHS Compliant

EMI FCC Part 15, Class A

Rating: IP 65 Damp, Dry

Output Open/Short Protection

Min. Starting Temp: - 40° C

Max. Case Temp: 90° C

Typical Efficiency: 80%

Input Voltage range:  $\pm 10\%$

Output Load range  $\pm 5\%$

Input Frequency: 50/60HZ

THD: < 20%

Power Factor Min: 0.90

Remote Wiring Distance Full Load: 18AWG -18 ft

Case Size: Series MU2

Due to continuing efforts to offer improved products all specifications are subject to change without prior notice

1/1/15

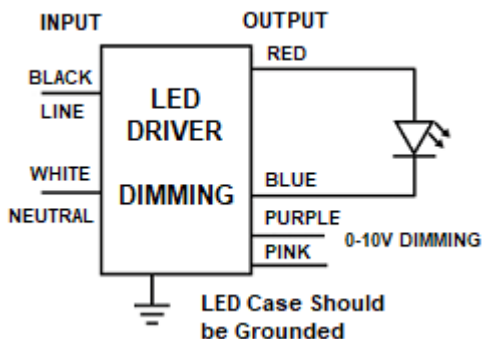
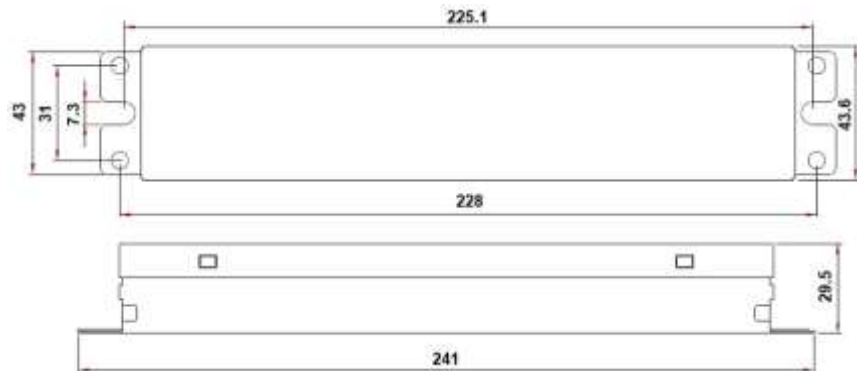
INPUT VOLTAGE	INPUT CURRENT	INPUT WATTS	OUTPUT POWER WATTS MAX	OUTPUT VOLTAGE	OUTPUT CURRENT AMPS	MODEL
120	0.54A	65	52	25 to 42V	1.24A	NU1240C52WSDIM
277	0.24A					

### LIMITED WARRANTY

5 YEAR at maximum case temperature 75 deg C. 3 YEAR at maximum case temperature 90 deg C. Manufacturer warrants to the purchaser: Product will be free from defects in material or workmanship from the date of manufacture conditioned upon proper storage, installation, use, and maintenance and conformance with any recommendations of Manufacturer

### Lead Length

Colour	inc	cm
Black	6	15.2
White	6	15.2
Blue	6	15.2
Red	6	15.2
Pink	7.1	18
Purple	7.1	18



### 0-10V Dimmer Compatibility Chart

LUTRON	LEVITON
NFTV	DS710-10Z
DVTV-WH	

### Case Size Series MU2

L	W	H	ML
241	43	29.5	226mm
9.5	1.7	1.2	8.9 inch

**WARNING:** Always Disconnect Power Before Handling. Case Should be Grounded. Install in Accordance with National and Local Electrical Codes

901 - 3rd Street West, North Vancouver, BC V7P 3P9 Canada

TEL: 604-904-9533

www.sagedrivers.com www.sagelighting.com

*Sage  
Lighting Ltd.*

# LED DRIVER 15W 0-10V Dimming

Output Range 7V to 12V Constant Current **1260mA** Max **15W**  
Small Case with leads

Universal Voltage 120-277V Electronic Constant Current LED Driver 0-10V Dimming. Output Range of 7V to 12V for Single circuit 15W maximum.

## Technical Specification:

Class 2 UL, CUL Recognized, ROHS Compliant  
EMI FCC Part 15, Class A  
Rating: IP 65 Damp, Dry  
Output Open/Short Protection  
Min. Starting Temp: - 40° C  
Max. Case Temp: 90° C  
Typical Efficiency: 83%

Input Voltage range:  $\pm 10\%$   
Output Load range  $\pm 5\%$   
Input Frequency: 50/60HZ  
THD: < 20%  
Power Factor Min: 0.90  
Remote Wiring Distance Full Load: 18AWG -18 ft

Case Size: Series C1U

Due to continuing efforts to offer improved products all specifications are subject to change without prior notice

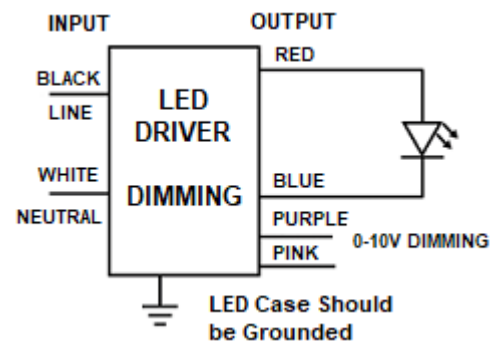
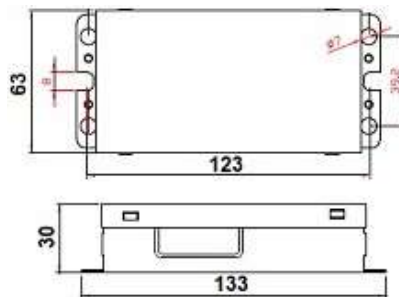
INPUT VOLTAGE	INPUT CURRENT	INPUT WATTS	OUTPUT POWER WATTS MAX	OUTPUT VOLTAGE	OUTPUT CURRENT AMPS	MODEL
120	0.41A	18	15	7 to 12V	1.26A	NU1260C15WSD
277	0.18A					

### LIMITED WARRANTY

5 YEAR at maximum case temperature 75 deg C. 3 YEAR at maximum case temperature 90 deg C. Manufacturer warrants to the purchaser: Product will be free from defects in material or workmanship from the date of manufacture conditioned upon proper storage, installation, use, and maintenance and conformance with any recommendations of Manufacturer

### Lead Length

Colour	inc	cm
Black	6	15.2
White	6	15.2
Blue	6	15.2
Red	6	15.2
Pink	7.1	18
Purple	7.1	18



### 0-10V Dimmer Compatibility Chart

LUTRON	LEVITON
NFTV	DS710-10Z
DVTV-WH	

### Case Size Series C1U

L	W	H	ML
133	63	30	123mm
5.23	2.48	1.18	4.84inch

**WARNING:** Always Disconnect Power Before Handling. Case Should be Grounded. Install in Accordance with National and Local Electrical Codes

# LED DRIVER 150W 0-10V Dimming

Output Range 69V to 115V Constant Current **1300mA** Max **150W**

Universal Voltage 120-277V Electronic Constant Current 1300mA LED Driver. 0-10V Dimming. Output Range of 69V to 115V for Single circuit 150W maximum.

## Technical Specification:

UL, CUL Recognized, ROHS Compliant  
 EMI FCC Part 15, Class A  
 Rating: IP 65 Damp, Dry  
 Output Open/Short Protection  
 Min. Starting Temp: - 40° C  
 Max. Case Temp: 90° C  
 Typical Efficiency: 90%

Input Voltage range:  $\pm 10\%$   
 Output Load range:  $\pm 5\%$   
 Input Frequency: 50/60HZ  
 THD: < 20%  
 Power Factor Min: 0.90  
 Remote Wiring Distance Full Load: 18AWG -18 ft

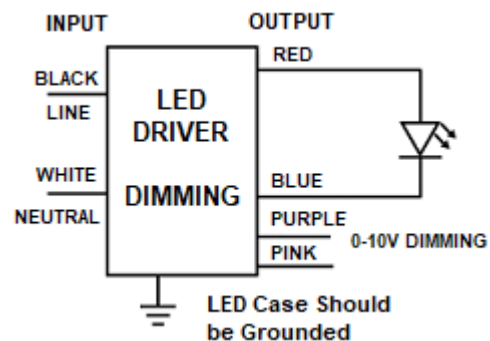
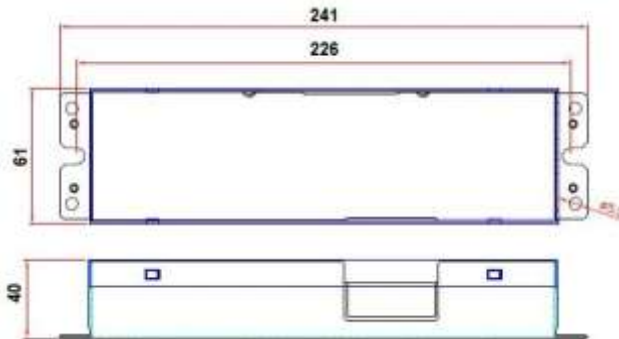
Case Size: Series FS4

Due to continuing efforts to offer improved products all specifications are subject to change without prior notice

INPUT VOLTAGE	INPUT CURRENT	INPUT WATTS	OUTPUT POWER WATTS MAX	OUTPUT VOLTAGE	OUTPUT CURRENT AMPS	MODEL
120V-277V	1.45A - 0.64A	170	150	69 to 115V	1.3A	<b>NU1300C150WSD</b>

### LIMITED WARRANTY

5 YEAR at maximum case temperature 75 deg C. 3 YEAR at maximum case temperature 90 deg C. Manufacturer warrants to the purchaser: Product will be free from defects in material or workmanship from the date of manufacture conditioned upon proper storage, installation, use, and maintenance and conformance with any recommendations of Manufacturer



### Lead Length

Colour	inc	cm
Black	6	15.2
White	6	15.2
Blue	6	15.2
Red	6	15.2
Pink	7.1	18
Purple	7.1	18

### 0-10V Dimmer Compatibility Chart

LUTRON	LEVITON
NFTV	DS710-10Z
DVTV-WH	

### Case Size Series FS4

L	W	H	ML
241	61	40	226mm
9.5	2.4	1.57	8.9inch

**WARNING:** Always Disconnect Power Before Handling. Case Should be Grounded. Install in Accordance with National and Local Electrical Codes

# LED DRIVER 52W 0-10V Dimming

Output Range 22V to 37V Constant Current **1400mA** Max **52W**

Universal Voltage 120-277V Electronic Constant Current LED Driver 0-10V Dimming. Output Range of 22V to 37V for Single circuit 52W maximum.

## Technical Specification:

Class 2 UL, CUL Recognized, ROHS Compliant

EMI FCC Part 15, Class A

Rating: IP 65 Damp, Dry

Output Open/Short Protection

Min. Starting Temp: - 40° C

Max. Case Temp: 90° C

Typical Efficiency: 86%

Input Voltage range:  $\pm 10\%$

Output Load range:  $\pm 5\%$

Input Frequency: 50/60HZ

THD: < 20%

Power Factor Min: 0.90

Remote Wiring Distance Full Load: 18AWG -18 ft

Case Size: Series MU2

Due to continuing efforts to offer improved products all specifications are subject to change without prior notice

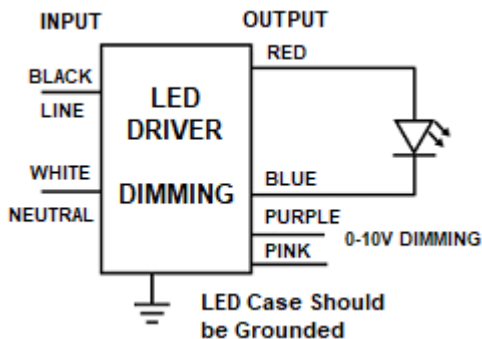
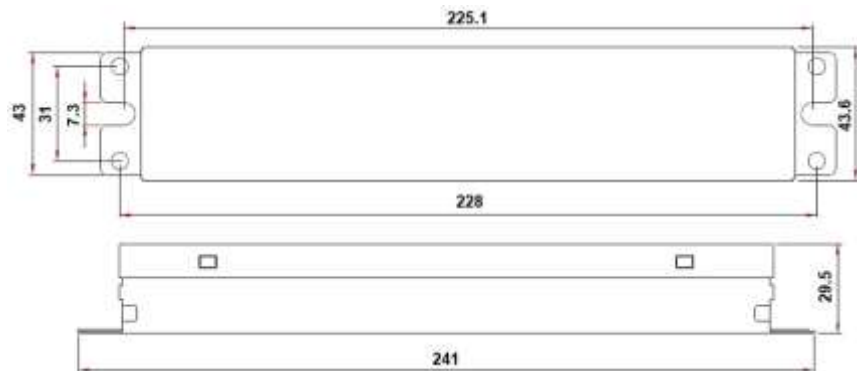
INPUT VOLTAGE	INPUT CURRENT	INPUT WATTS	OUTPUT POWER WATTS MAX	OUTPUT VOLTAGE	OUTPUT CURRENT AMPS	MODEL
120	0.6A	60	52	22 to 37V	1.4A	NU1400C52WSD
277	0.26A					

### LIMITED WARRANTY

5 YEAR at maximum case temperature 75 deg C. 3 YEAR at maximum case temperature 90 deg C. Manufacturer warrants to the purchaser: Product will be free from defects in material or workmanship from the date of manufacture conditioned upon proper storage, installation, use, and maintenance and conformance with any recommendations of Manufacturer

### Lead Length

Colour	inc	cm
Black	6	15.2
White	6	15.2
Blue	6	15.2
Red	6	15.2
Pink	7.1	18
Purple	7.1	18



### 0-10V Dimmer Compatibility Chart

LUTRON	LEVITON
NFTV	DS710-10Z
DVTV-WH	

### Case Size Series MU2

L	W	H	ML
241	43	29.5	226mm
9.5	1.7	1.2	8.9 inch

**WARNING:** Always Disconnect Power Before Handling. Case Should be Grounded. Install in Accordance with National and Local Electrical Codes

# LED DRIVER 60W 0-10V Dimming

Output Range 26V to 43V Constant Current **1400mA** Max **60W**

Universal Voltage 120-277V Electronic Constant Current LED Driver 0-10V Dimming. Output Range of 26V to 43V for Single circuit 60W maximum.

## Technical Specification:

Class 2 UL, CUL Recognized, ROHS Compliant  
 EMI FCC Part 15, Class A  
 Rating: IP 65 Damp, Dry  
 Output Open/Short Protection  
 Min. Starting Temp: - 40° C  
 Max. Case Temp: 90° C  
 Typical Efficiency: 88%

Input Voltage range:  $\pm 10\%$   
 Output Load range:  $\pm 5\%$   
 Input Frequency: 50/60HZ  
 THD: < 20%  
 Power Factor Min: 0.90  
 Remote Wiring Distance Full Load: 18AWG -18 ft

Case Size: Series MU2

Due to continuing efforts to offer improved products all specifications are subject to change without prior notice

5/11/21

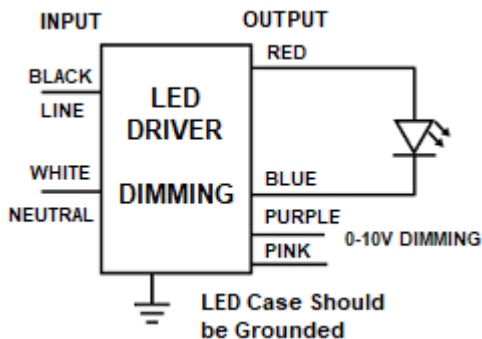
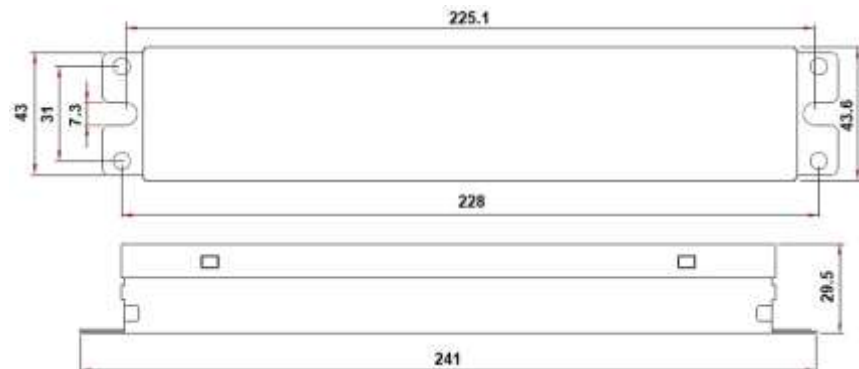
INPUT VOLTAGE	INPUT CURRENT	INPUT WATTS	OUTPUT POWER WATTS MAX	OUTPUT VOLTAGE	OUTPUT CURRENT AMPS	MODEL
120	0.60A	68	60	26 to 43V	1.4A	NU1400C60WSD
277	0.26A					

### LIMITED WARRANTY

5 YEAR at maximum case temperature 75 deg C. 3 YEAR at maximum case temperature 90 deg C. Manufacturer warrants to the purchaser: Product will be free from defects in material or workmanship from the date of manufacture conditioned upon proper storage, installation, use, and maintenance and conformance with any recommendations of Manufacturer

### Lead Length

Colour	inc	cm
Black	6	15.2
White	6	15.2
Blue	6	15.2
Red	6	15.2
Pink	7.1	18
Purple	7.1	18



### 0-10V Dimmer Compatibility Chart

LUTRON	LEVITON
NFTV	DS710-10Z
DVTV-WH	

### Case Size Series MU2

L	W	H	ML
241	43	29.5	226mm
9.5	1.7	1.2	8.9 inch

**WARNING:** Always Disconnect Power Before Handling. Case Should be Grounded. Install in Accordance with National and Local Electrical Codes

# LED DRIVER 150W 0-10V Dimming

Output Range 64V to 107V Constant Current **1400mA** Max **150W**

Universal Voltage 120-277V Electronic Constant Current 1400mA LED Driver. 0-10V Dimming. Output Range of 64V to 107V for Single circuit 150W maximum.

## Technical Specification:

UL, CUL Recognized, ROHS Compliant

EMI FCC Part 15, Class A

Rating: IP 65 Damp, Dry

Output Open/Short Protection

Min. Starting Temp: - 40° C

Max. Case Temp: 90° C

Typical Efficiency: 88%

Input Voltage range:  $\pm 10\%$

Output Load range  $\pm 5\%$

Input Frequency: 50/60HZ

THD: < 20%

Power Factor Min: 0.90

Remote Wiring Distance Full Load: 18AWG - 18 ft

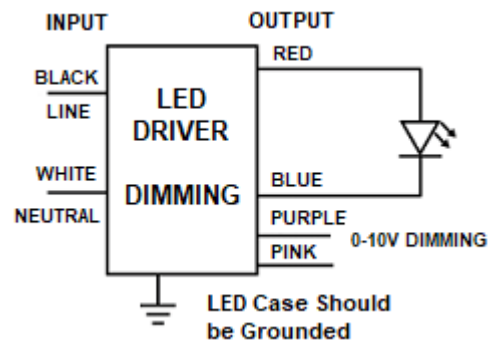
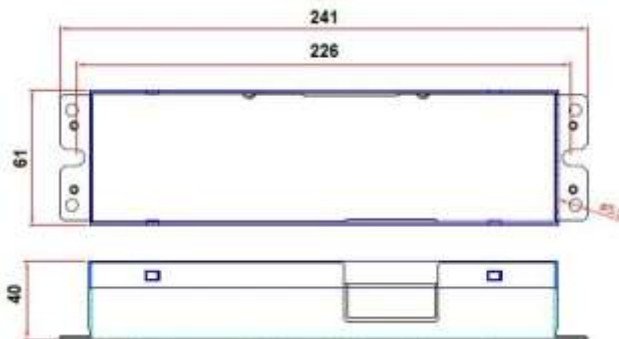
Case Size: Series FS4

Due to continuing efforts to offer improved products all specifications are subject to change without prior notice

INPUT VOLTAGE	INPUT CURRENT	INPUT WATTS	OUTPUT POWER WATTS MAX	OUTPUT VOLTAGE	OUTPUT CURRENT AMPS	MODEL
120V-277V	1.45A - 0.64A	170	150	64 to 107V	1.4A	<b>NU1400C150WSD</b>

### LIMITED WARRANTY

5 YEAR at maximum case temperature 75 deg C. 3 YEAR at maximum case temperature 90 deg C. Manufacturer warrants to the purchaser: Product will be free from defects in material or workmanship from the date of manufacture conditioned upon proper storage, installation, use, and maintenance and conformance with any recommendations of Manufacturer



### Lead Length

Colour	inc	cm
Black	6	15.2
White	6	15.2
Blue	6	15.2
Red	6	15.2
Pink	7.1	18
Purple	7.1	18

### 0-10V Dimmer Compatibility Chart

LUTRON	LEVITON
NFTV	DS710-10Z
DVTV-WH	

### Case Size Series FS4

L	W	H	ML
241	61	40	226mm
9.5	2.4	1.57	8.9inch

**WARNING:** Always Disconnect Power Before Handling. Case Should be Grounded. Install in Accordance with National and Local Electrical Codes

# LED DRIVER 200W 0-10V Dimming

Output Range 86V to 143V Constant Current **1400mA** Max **200W**

Universal Voltage 120-277V Electronic Constant Current LED Driver 0-10V Dimming. Output Range of 86V to 143V for Single circuit 200W maximum.

## Technical Specification:

Class 1 UL, CUL Recognized, ROHS Compliant  
 EMI FCC Part 15, Class A  
 Rating: IP 65 Damp, Dry  
 Output Open/Short Protection  
 Min. Starting Temp: - 40° C  
 Max. Case Temp: 90° C  
 Typical Efficiency: 93%

Input Voltage range:  $\pm 10\%$   
 Output Load range:  $\pm 5\%$   
 Input Frequency: 50/60HZ  
 THD: < 20%  
 Power Factor Min: 0.90  
 Remote Wiring Distance Full Load: 18AWG - 18 ft

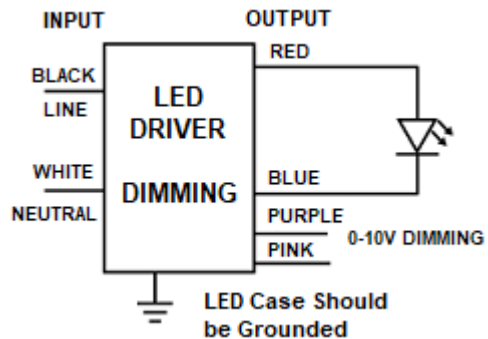
Case Size: Series FS5

Due to continuing efforts to offer improved products all specifications are subject to change without prior notice

INPUT VOLTAGE	INPUT CURRENT	INPUT WATTS	OUTPUT POWER WATTS MAX	OUTPUT VOLTAGE	OUTPUT CURRENT AMPS	MODEL
120V-277V	1.78A - 0.78A	215	200	86 to 143V	1.4A	<b>NU1400C200WSD</b>

### LIMITED WARRANTY

5 YEAR at maximum case temperature 75 deg C. 3 YEAR at maximum case temperature 90 deg C. Manufacturer warrants to the purchaser: Product will be free from defects in material or workmanship from the date of manufacture conditioned upon proper storage, installation, use, and maintenance and conformance with any recommendations of Manufacturer



### Lead Length

Colour	inc	cm
Black	6	15.2
White	6	15.2
Blue	6	15.2
Red	6	15.2
Pink	7.1	18
Purple	7.1	18

### 0-10V Dimmer Compatibility Chart

LUTRON	LEVITON
NFTV	DS710-10Z
DVTV-WH	

### Case Size Series FS5

L	W	H	ML
241	66	40.5	226mm
9.5	2.6	1.6	8.9inch

**WARNING:** Always Disconnect Power Before Handling. Case Should be Grounded. Install in Accordance with National and Local Electrical Codes

# LED DRIVER 36W 0-10V Dimming

Output Range 15V to 24V Constant Current **1500mA** Max **36W**

Universal Voltage 120-277V Electronic Constant Current LED Driver 0-10V Dimming. Output Range of 15V to 24V for Single circuit 36W maximum.

## Technical Specification:

Class 2 UL, CUL Recognized, ROHS Compliant

EMI FCC Part 15, Class A

Rating: IP 65 Damp, Dry

Output Open/Short Protection

Min. Starting Temp: - 40° C

Max. Case Temp: 90° C

Typical Efficiency: 85%

Input Voltage range:  $\pm 10\%$

Output Load range:  $\pm 5\%$

Input Frequency: 50/60HZ

THD: < 20%

Power Factor Min: 0.90

Remote Wiring Distance Full Load: 18AWG -18 ft

Case Size: Series MU2

Due to continuing efforts to offer improved products all specifications are subject to change without prior notice

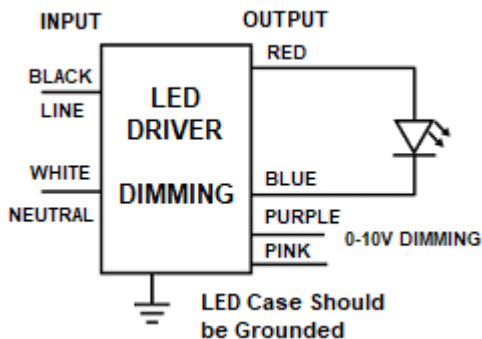
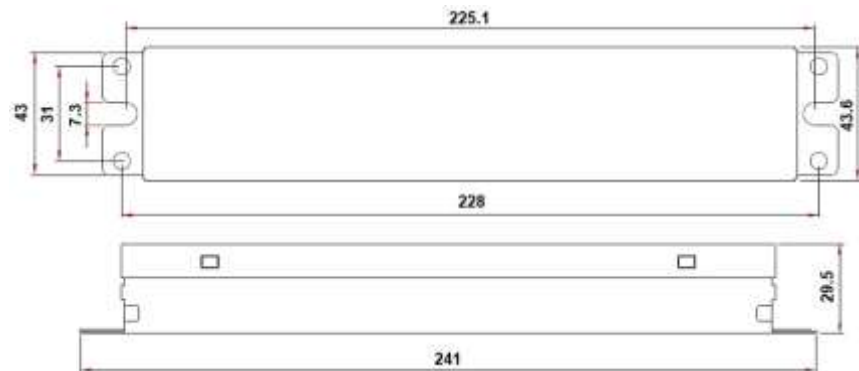
INPUT VOLTAGE	INPUT CURRENT	INPUT POWER WATTS MAX	OUTPUT POWER WATTS MAX	OUTPUT VOLTAGE	OUTPUT CURRENT AMPS	MODEL
120	0.61A	42	36	15 to 24V	1.5A	NU1500C36WSD
277	0.27A					

### LIMITED WARRANTY

5 YEAR at maximum case temperature 75 deg C. 3 YEAR at maximum case temperature 90 deg C. Manufacturer warrants to the purchaser: Product will be free from defects in material or workmanship from the date of manufacture conditioned upon proper storage, installation, use, and maintenance and conformance with any recommendations of Manufacturer

### Lead Length

Colour	inc	cm
Black	6	15.2
White	6	15.2
Blue	6	15.2
Red	6	15.2
Pink	7.1	18
Purple	7.1	18



### 0-10V Dimmer Compatibility Chart

LUTRON	LEVITON
NFTV	DS710-10Z
DVTV-WH	

### Case Size Series MU2

L	W	H	ML
241	43	29.5	226mm
9.5	1.7	1.2	8.9 inch

**WARNING:** Always Disconnect Power Before Handling. Case Should be Grounded. Install in Accordance with National and Local Electrical Codes



# LED DRIVER 39W 0-10V Dimming

Output Range 16V to 26V Constant Current **1500mA** Max **39W**

Compact Case Size with Side Exit leads

Electronic Universal Voltage 120V-277V input LED Driver 0-10V Dimming. 16V to 26V output Constant Current for Single circuit 39W maximum.

## Technical Specification:

Class 2 UL, CUL Recognized, ROHS Compliant

EMI FCC Part 15, Class A

Rating: IP 65 Damp, Dry

Output Open/Short Protection

Min. Starting Temp: - 40° C

Max. Case Temp: 90° C

Typical Efficiency: 87%

Input Voltage range:  $\pm 10\%$

Output Load range  $\pm 5\%$

Input Frequency: 50/60HZ

THD: < 20%

Power Factor Min: 0.9

Remote Wiring Distance Full Load: 18AWG - 18 ft

Case Size: Series C1U

Due to continuing efforts to offer improved products all specifications are subject to change without prior notice

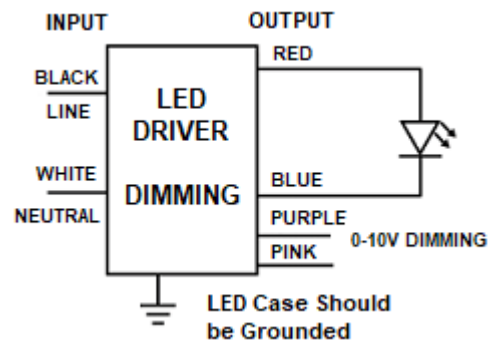
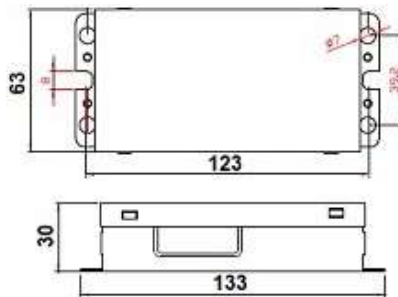
INPUT VOLTAGE	INPUT CURRENT	INPUT WATTS	OUTPUT POWER WATTS MAX	OUTPUT VOLTAGE	OUTPUT CURRENT AMPS	MODEL
120	0.58A	45	39	16 to 26V	1.5A	NU1500C39WSD
277	0.25A					

### LIMITED WARRANTY

5 YEAR at maximum case temperature 75 deg C. 3 YEAR at maximum case temperature 90 deg C. Manufacturer warrants to the purchaser: Product will be free from defects in material or workmanship from the date of manufacture conditioned upon proper storage, installation, use, and maintenance and conformance with any recommendations of Manufacturer

### Lead Length

Colour	inc	cm
Black	6	15.2
White	6	15.2
Blue	6	15.2
Red	6	15.2
Pink	7.1	18
Purple	7.1	18



### 0-10V Dimmer Compatibility Chart

LUTRON	LEVITON
NFTV	DS710-10Z
DVTV-WH	

### Case Size Series C1U

L	W	H	ML
133	63	30	123mm
5.23	2.48	1.18	4.84inch

**WARNING:** Always Disconnect Power Before Handling. Case Should be Grounded. Install in Accordance with National and Local Electrical Codes

901 - 3rd Street West, North Vancouver, BC V7P 3P9 Canada

TEL: 604-904-9533

www.sagedrivers.com www.sagelighting.com

*Sage  
Lighting Ltd.*

# 120V-277V LED DRIVER 60W 0-10V Dimming

## Output Range 24V to 40V Constant Current 1500mA Max 60W

Universal Voltage 120-277V Electronic Constant Current LED Driver 0-10V Dimming. Output Range of 24V to 40V for Single circuit 60W maximum.

### Technical Specification:

Class 2 UL, CUL Recognized, ROHS Compliant  
 EMI FCC Part 15, Class A  
 Rating: IP 65 Damp, Dry  
 Output Open/Short Protection  
 Min. Starting Temp: - 40° C  
 Max. Case Temp: 90° C  
 Typical Efficiency: 86%

Input Voltage range:  $\pm 10\%$   
 Output Load range:  $\pm 5\%$   
 Input Frequency: 50/60HZ  
 THD: < 20%  
 Power Factor Min: 0.90  
 Remote Wiring Distance Full Load: 18AWG -18 ft

Case Size: Series MU2

Due to continuing efforts to offer improved products all specifications are subject to change without prior notice

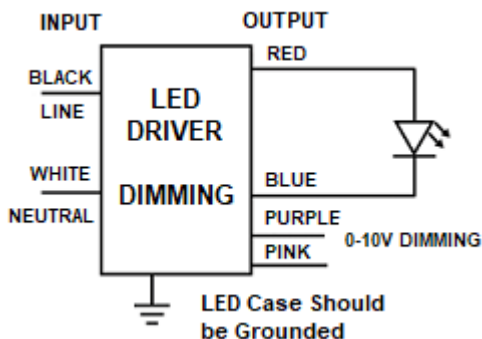
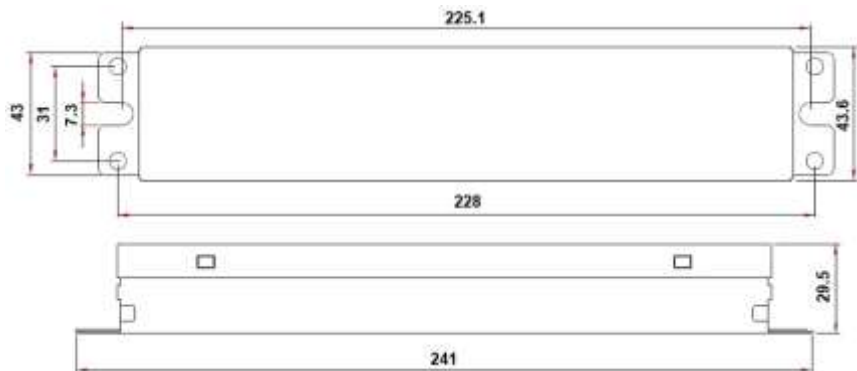
INPUT VOLTAGE	INPUT CURRENT	INPUT WATTS	OUTPUT POWER WATTS MAX	OUTPUT VOLTAGE	OUTPUT CURRENT AMPS	MODEL
120	0.60A	70	60	24 to 40V	1.5A	NU1500C60WRSD
277	0.26A					

#### LIMITED WARRANTY

5 YEAR at maximum case temperature 75 deg C. 3 YEAR at maximum case temperature 90 deg C. Manufacturer warrants to the purchaser: Product will be free from defects in material or workmanship from the date of manufacture conditioned upon proper storage, installation, use, and maintenance and conformance with any recommendations of Manufacturer

#### Lead Length

Colour	inc	cm
Black	6	15.2
White	6	15.2
Blue	6	15.2
Red	6	15.2
Pink	7.1	18
Purple	7.1	18



#### 0-10V Dimmer Compatibility Chart

LUTRON	LEVITON
NFTV	DS710-10Z
DVTV-WH	

#### Case Size Series MU2

L	W	H	ML
241	43	29.5	226mm
9.5	1.7	1.2	8.9 inch

**WARNING:** Always Disconnect Power Before Handling. Case Should be Grounded. Install in Accordance with National and Local Electrical Codes

# LED DRIVER 78W 0-10V Dimming

Output Range 31V to 52V Constant Current **1500mA** Max **78W**

Universal Voltage 120-277V Electronic Constant Current LED Driver 0-10V Dimming. Output Range of 31V to 52V for Single circuit 78W maximum.

## Technical Specification:

Class 2 UL, CUL Recognized, ROHS Compliant  
 EMI FCC Part 15, Class A  
 Rating: IP 65 Damp, Dry  
 Output Open/Short Protection  
 Min. Starting Temp: - 40° C  
 Max. Case Temp: 90° C  
 Typical Efficiency: 88%

Input Voltage range:  $\pm 10\%$   
 Output Load range:  $\pm 5\%$   
 Input Frequency: 50/60HZ  
 THD: < 20%  
 Power Factor Min: 0.90  
 Remote Wiring Distance Full Load: 18AWG -18 ft

Case Size: Series MU2

Due to continuing efforts to offer improved products all specifications are subject to change without prior notice

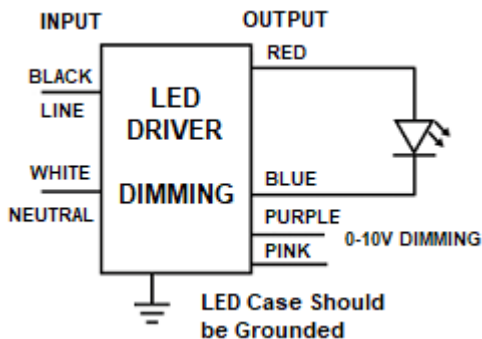
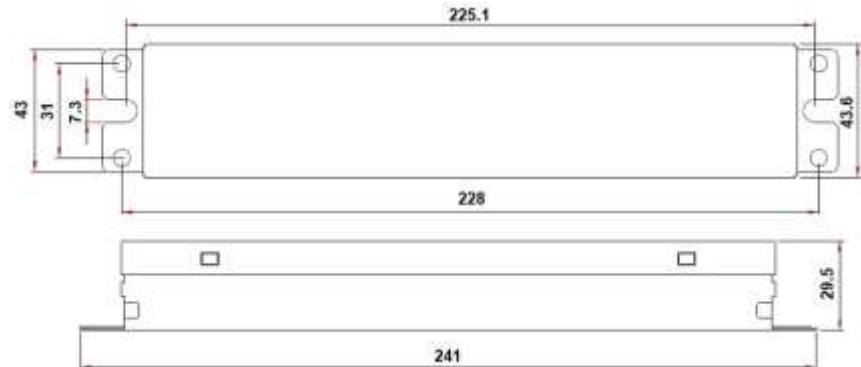
INPUT VOLTAGE	INPUT CURRENT AMPS	INPUT POWER WATTS	OUTPUT POWER WATTS	OUTPUT VOLTAGE	OUTPUT CURRENT AMPS	MODEL
120	0.79A	90	78	31 to 52V	1.5A	NU1500C78WSD
277	0.34A					

### LIMITED WARRANTY

5 YEAR at maximum case temperature 75 deg C. 3 YEAR at maximum case temperature 90 deg C. Manufacturer warrants to the purchaser: Product will be free from defects in material or workmanship from the date of manufacture conditioned upon proper storage, installation, use, and maintenance and conformance with any recommendations of Manufacturer

### Lead Length

Colour	inc	cm
Black	6	15.2
White	6	15.2
Blue	6	15.2
Red	6	15.2
Pink	7.1	18
Purple	7.1	18



### 0-10V Dimmer Compatibility Chart

LUTRON	LEVITON
NFTV	DS710-10Z
DVTV-WH	

### Case Size Series MU2

L	W	H	ML
241	43	29.5	226mm
9.5	1.7	1.2	8.9 inch

**WARNING:** Always Disconnect Power Before Handling. Case Should be Grounded. Install in Accordance with National and Local Electrical Codes

# LED DRIVER 150W 0-10V Dimming

Output Range 60V to 100V Constant Current **1500mA** Max **150W**

Universal Voltage 120-277V Electronic Constant Current LED Driver. 0-10V Dimming. Output Range of 60V to 100V for Single circuit 150W maximum.

## Technical Specification:

UL, CUL Recognized, ROHS Compliant  
 EMI FCC Part 15, Class A  
 Rating: IP 65 Damp, Dry  
 Output Open/Short Protection  
 Min. Starting Temp: - 40° C  
 Max. Case Temp: 90° C  
 Typical Efficiency: 89%

Input Voltage range:  $\pm 10\%$   
 Output Load range  $\pm 5\%$   
 Input Frequency: 50/60HZ  
 THD: < 20%  
 Power Factor Min: 0.90  
 Remote Wiring Distance Full Load: 18AWG - 18 ft

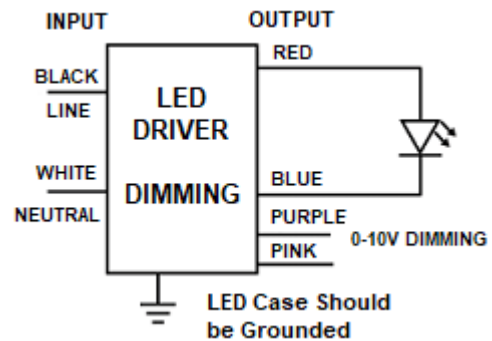
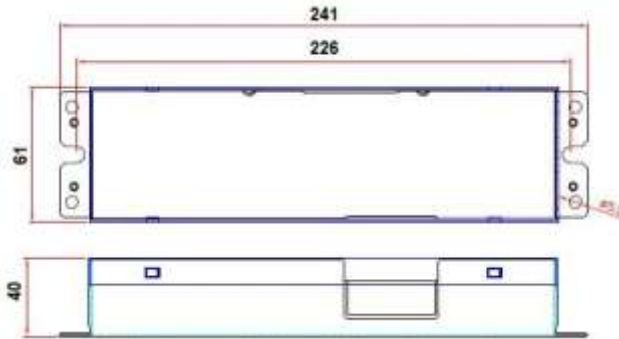
Case Size: Series FS4

Due to continuing efforts to offer improved products all specifications are subject to change without prior notice

INPUT VOLTAGE	INPUT CURRENT	INPUT WATTS	OUTPUT POWER WATTS MAX	OUTPUT VOLTAGE	OUTPUT CURRENT AMPS	MODEL
120V-277V	1.45A - 0.64A	170	150	60 to 100V	1.5A	<b>NU1500C150WSD</b>

### LIMITED WARRANTY

5 YEAR at maximum case temperature 75 deg C. 3 YEAR at maximum case temperature 90 deg C. Manufacturer warrants to the purchaser: Product will be free from defects in material or workmanship from the date of manufacture conditioned upon proper storage, installation, use, and maintenance and conformance with any recommendations of Manufacturer



### Lead Length

Colour	inc	cm
Black	6	15.2
White	6	15.2
Blue	6	15.2
Red	6	15.2
Pink	7.1	18
Purple	7.1	18

### 0-10V Dimmer Compatibility Chart

LUTRON	LEVITON
NFTV	DS710-10Z
DVTV-WH	

### Case Size Series FS4

L	W	H	ML
241	61	40	226mm
9.5	2.4	1.57	8.9inch

**WARNING:** Always Disconnect Power Before Handling. Case Should be Grounded. Install in Accordance with National and Local Electrical Codes

# LED DRIVER 58W 0-10V Dimming

Output Range 21V to 36V Constant Current **1600mA** Max **58W**

Universal Voltage 120-277V Electronic Constant Current LED Driver 0-10V Dimming. Output Range of 21V to 36V for Single circuit 58W maximum.

## Technical Specification:

Class 2 UL, CUL Recognized, ROHS Compliant  
 EMI FCC Part 15, Class A  
 Rating: IP 65 Damp, Dry  
 Output Open/Short Protection  
 Min. Starting Temp: -40° C  
 Max. Case Temp: 90° C  
 Typical Efficiency: 85%

Input Voltage range:  $\pm 10\%$   
 Output Load range:  $\pm 5\%$   
 Input Frequency: 50/60HZ  
 THD: < 20%  
 Power Factor Min: 0.90  
 Remote Wiring Distance Full Load: 18AWG -18 ft

Case Size: Series MU2

Due to continuing efforts to offer improved products all specifications are subject to change without prior notice

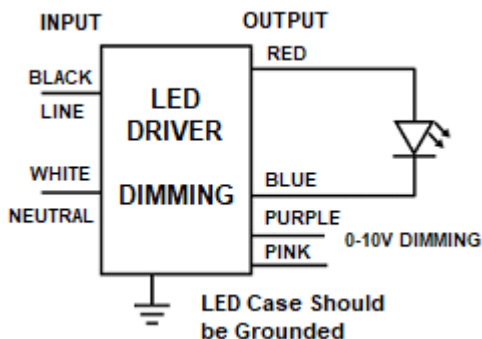
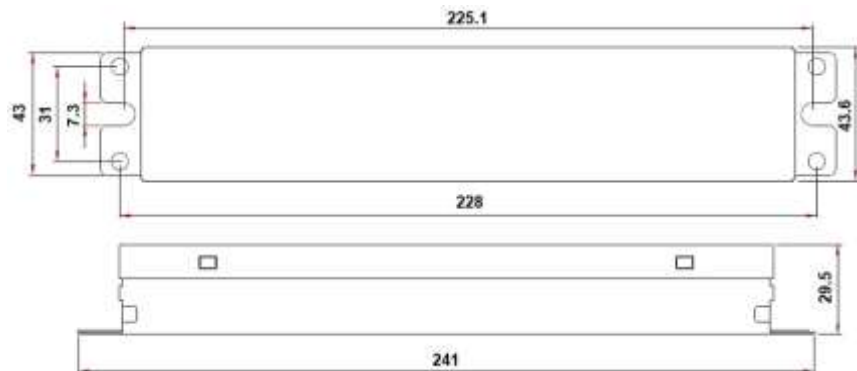
INPUT VOLTAGE	INPUT CURRENT	INPUT WATTS	OUTPUT POWER WATTS MAX	OUTPUT VOLTAGE	OUTPUT CURRENT AMPS	MODEL
120	0.86A	68	58	21 to 36V	1.6A	NU1600C58WSD
277	0.38A					

### LIMITED WARRANTY

5 YEAR at maximum case temperature 75 deg C. 3 YEAR at maximum case temperature 90 deg C. Manufacturer warrants to the purchaser: Product will be free from defects in material or workmanship from the date of manufacture conditioned upon proper storage, installation, use, and maintenance and conformance with any recommendations of Manufacturer

### Lead Length

Colour	inc	cm
Black	6	15.2
White	6	15.2
Blue	6	15.2
Red	6	15.2
Pink	7.1	18
Purple	7.1	18



### 0-10V Dimmer Compatibility Chart

LUTRON	LEVITON
NFTV	DS710-10Z
DVTV-WH	

### Case Size Series MU2

L	W	H	ML
241	43	29.5	226mm
9.5	1.7	1.2	8.9 inch

**WARNING:** Always Disconnect Power Before Handling. Case Should be Grounded. Install in Accordance with National and Local Electrical Codes

# LED DRIVER 67W 0-10V Dimming

Output Range 25V to 42V Constant Current **1600mA** Max **67W**

Universal Voltage 120-277V Electronic Constant Current LED Driver 0-10V Dimming. Output Range of 25V to 42V for Single circuit 67W maximum.

## Technical Specification:

Class 2 UL, CUL Recognized, ROHS Compliant

EMI FCC Part 15, Class A

Rating: IP 65 Damp, Dry

Output Open/Short Protection

Min. Starting Temp: - 40° C

Max. Case Temp: 90° C

Typical Efficiency: 87%

Input Voltage range:  $\pm 10\%$

Output Load range  $\pm 5\%$

Input Frequency: 50/60HZ

THD: < 20%

Power Factor Min: 0.90

Remote Wiring Distance Full Load: 18AWG -18 ft

Case Size: Series MU2

Due to continuing efforts to offer improved products all specifications are subject to change without prior notice

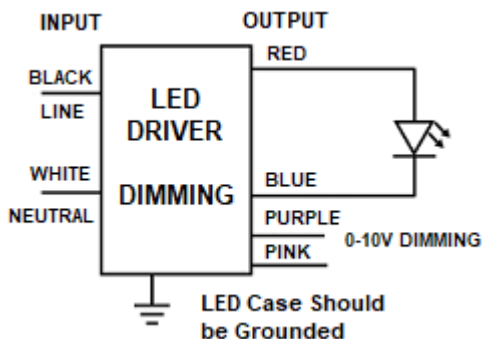
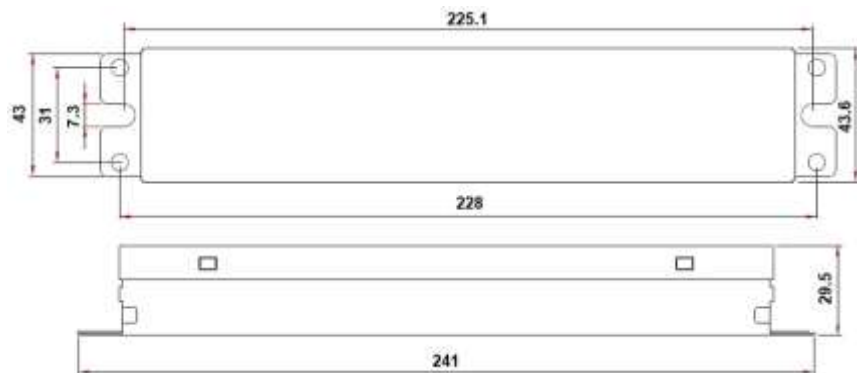
INPUT VOLTAGE	INPUT CURRENT	INPUT WATTS	OUTPUT POWER WATTS MAX	OUTPUT VOLTAGE	OUTPUT CURRENT AMPS	MODEL
120	0.79A	76	67	25 to 42V	1.6A	NU1600C67WSD
277	0.30A					

### LIMITED WARRANTY

5 YEAR at maximum case temperature 75 deg C. 3 YEAR at maximum case temperature 90 deg C. Manufacturer warrants to the purchaser: Product will be free from defects in material or workmanship from the date of manufacture conditioned upon proper storage, installation, use, and maintenance and conformance with any recommendations of Manufacturer

### Lead Length

Colour	inc	cm
Black	6	15.2
White	6	15.2
Blue	6	15.2
Red	6	15.2
Pink	7.1	18
Purple	7.1	18



### 0-10V Dimmer Compatibility Chart

LUTRON	LEVITON
NFTV	DS710-10Z
DVTV-WH	

### Case Size Series MU2

L	W	H	ML
241	43	29.5	226mm
9.5	1.7	1.2	8.9 inch

**WARNING:** Always Disconnect Power Before Handling. Case Should be Grounded. Install in Accordance with National and Local Electrical Codes

901 - 3rd Street West, North Vancouver, BC V7P 3P9 Canada

TEL: 604-904-9533

www.sagedrivers.com www.sagelighting.com

*Sage  
Lighting Ltd.*

# LED DRIVER 91W 0-10V Dimming

Output Range 40V to 58V Constant Current **1600mA** Max **91W**

Universal Voltage 120-277V Electronic Constant Current LED Driver 0-10V Dimming. Output Range of 40V to 58V for Single Output circuit 91W maximum.

## Technical Specification:

UL, CUL Recognized, ROHS Compliant

EMI FCC Part 15, Class A

Rating: IP 65 Damp, Dry

Output Open/Short Protection

Min. Starting Temp: - 40° C

Max. Case Temp: 90° C

Typical Efficiency: 89%

Input Voltage range:  $\pm 10\%$

Output Load range  $\pm 5\%$

Input Frequency: 50/60HZ

THD: < 20%

Power Factor Min: 0.90

Remote Wiring Distance Full Load: 18AWG -18 ft

Case Size: Series FS3

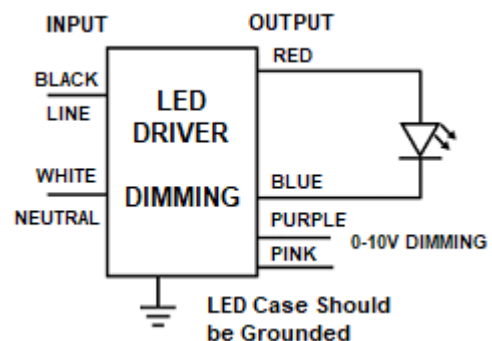
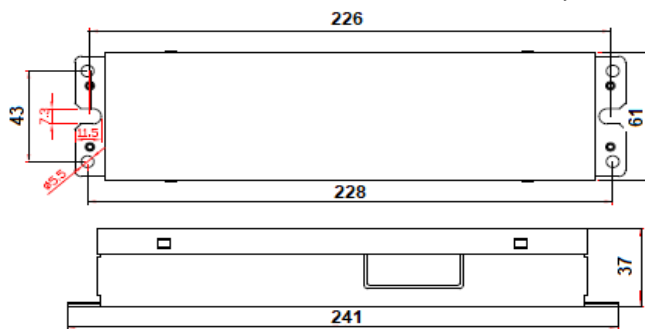
Due to continuing efforts to offer improved products all specifications are subject to change without prior notice

2/6/17

INPUT VOLTAGE	INPUT CURRENT	INPUT WATTS	OUTPUT POWER WATTS MAX	OUTPUT VOLTAGE	OUTPUT CURRENT AMPS	MODEL
120	0.86A	104	91	40 to 58V	1.6A	<b>NU1600C91WSDIM</b>
277	0.38A					

### LIMITED WARRANTY

5 YEAR at maximum case temperature 75 deg C. 3 YEAR at maximum case temperature 90 deg C. Manufacturer warrants to the purchaser: Product will be free from defects in material or workmanship from the date of manufacture conditioned upon proper storage, installation, use, and maintenance and conformance with any recommendations of Manufacturer



### Lead Length

Colour	inc	cm
Black	6	15.2
White	6	15.2
Blue	6	15.2
Red	6	15.2
Pink	7.1	18
Purple	7.1	18

### 0-10V Dimmer Compatibility Chart

LUTRON	LEVITON
NFTV	DS710-10Z
DVTV-WH	

### Case Size Series FS3

L	W	H	ML
241	61	37	226mm
9.5	2.4	1.46	8.9inch

**WARNING:** Always Disconnect Power Before Handling. Case Should be Grounded. Install in Accordance with National and Local Electrical Codes

# LED DRIVER 65W 0-10V Dimming

Output Range 24V to 40V Constant Current **1630mA** Max **65W**

Universal Voltage 120-277V Electronic Constant Current LED Driver 0-10V Dimming. Output Range of 24V to 40V for Single circuit 65W maximum.

## Technical Specification:

Class 2 UL, CUL Recognized, ROHS Compliant

EMI FCC Part 15, Class A

Rating: IP 65 Damp, Dry

Output Open/Short Protection

Min. Starting Temp: - 40° C

Max. Case Temp: 90° C

Typical Efficiency: 85%

Input Voltage range:  $\pm 10\%$

Output Load range:  $\pm 5\%$

Input Frequency: 50/60HZ

THD: < 20%

Power Factor Min: 0.90

Remote Wiring Distance Full Load: 18AWG -18 ft

Case Size: Series MU2

Due to continuing efforts to offer improved products all specifications are subject to change without prior notice

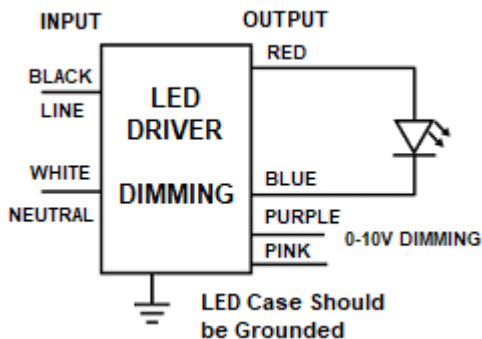
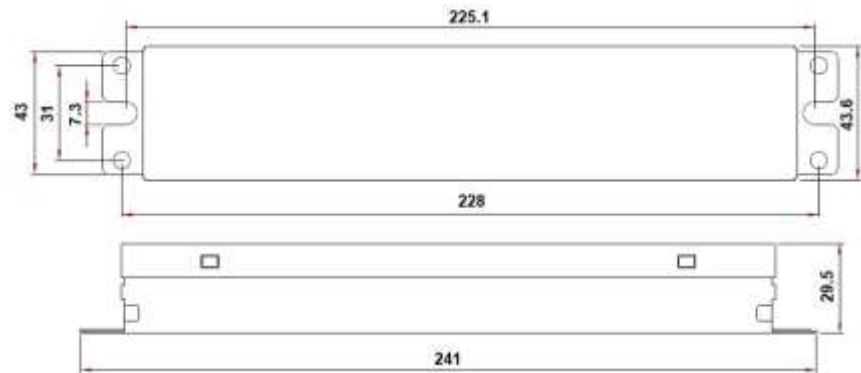
INPUT VOLTAGE	INPUT CURRENT AMPS	INPUT POWER WATTS	OUTPUT POWER WATTS	OUTPUT VOLTAGE	OUTPUT CURRENT AMPS	MODEL
120	0.79A	76	65	24 to 40V	1.63A	<b>NU1630C65WSD</b>
277	0.30A					

### LIMITED WARRANTY

5 YEAR at maximum case temperature 75 deg C. 3 YEAR at maximum case temperature 90 deg C. Manufacturer warrants to the purchaser: Product will be free from defects in material or workmanship from the date of manufacture conditioned upon proper storage, installation, use, and maintenance and conformance with any recommendations of Manufacturer

### Lead Length

Colour	inc	cm
Black	6	15.2
White	6	15.2
Blue	6	15.2
Red	6	15.2
Pink	7.1	18
Purple	7.1	18



### 0-10V Dimmer Compatibility Chart

LUTRON	LEVITON
NFTV	DS710-10Z
DVTV-WH	

### Case Size Series MU2

L	W	H	ML
241	43	29.5	226mm
9.5	1.7	1.2	8.9 inch

**WARNING:** Always Disconnect Power Before Handling. Case Should be Grounded. Install in Accordance with National and Local Electrical Codes

901 - 3rd Street West, North Vancouver, BC V7P 3P9 Canada

TEL: 604-904-9533

www.sagedrivers.com www.sagelighting.com

*Sage  
Lighting Ltd.*



# LED DRIVER 75W 0-10V Dimming

Output Range 26V to 44V Constant Current **1700mA** Max **75W**

Universal Voltage 120-277V Electronic Constant Current 1700mA LED Driver 0-10V Dimming. Output Range of 26V to 44V for Single circuit 75W maximum.

## Technical Specification:

Class 2 UL, CUL Recognized, ROHS Compliant  
EMI FCC Part 15, Class A  
Rating: IP 65 Damp, Dry  
Output Open/Short Protection  
Min. Starting Temp: - 40° C  
Max. Case Temp: 90° C  
Typical Efficiency: 87%

Input Voltage range:  $\pm 10\%$   
Output Load range:  $\pm 5\%$   
Input Frequency: 50/60HZ  
THD: < 20%  
Power Factor Min: 0.90  
Remote Wiring Distance Full Load: 18AWG -18 ft

**Case Size: Series MU2**

Due to continuing efforts to offer improved products all specifications are subject to change without prior notice

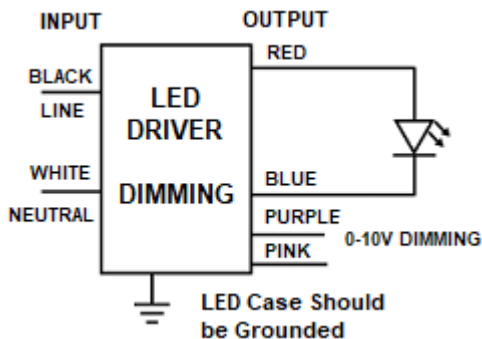
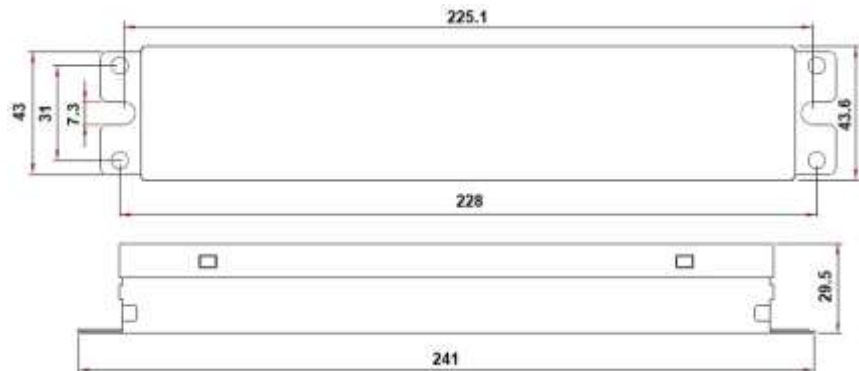
INPUT VOLTAGE	INPUT CURRENT AMPS	INPUT POWER WATTS	OUTPUT POWER WATTS	OUTPUT VOLTAGE	OUTPUT CURRENT AMPS	MODEL
120	0.79A	86	75	26 to 44V	1.7A	NU1700C75WSD
277	0.34A					

### LIMITED WARRANTY

5 YEAR at maximum case temperature 75 deg C. 3 YEAR at maximum case temperature 90 deg C. Manufacturer warrants to the purchaser: Product will be free from defects in material or workmanship from the date of manufacture conditioned upon proper storage, installation, use, and maintenance and conformance with any recommendations of Manufacturer

### Lead Length

Colour	inc	cm
Black	6	15.2
White	6	15.2
Blue	6	15.2
Red	6	15.2
Pink	7.1	18
Purple	7.1	18



### 0-10V Dimmer Compatibility Chart

LUTRON	LEVITON
NFTV	DS710-10Z
DVTV-WH	

### Case Size Series MU2

L	W	H	ML
241	43	29.5	226mm
9.5	1.7	1.2	8.9 inch

**WARNING:** Always Disconnect Power Before Handling. Case Should be Grounded. Install in Accordance with National and Local Electrical Codes

# LED DRIVER 48W 0-10V Dimming

Output Range 16V to 27V Constant Current **1750mA** Max **48W**

Universal Voltage 120-277V Electronic Constant Current LED Driver 0-10V Dimming. Output Range of 16V to 27V for Single circuit 48W maximum.

## Technical Specification:

Class 2 UL, CUL Recognized, ROHS Compliant  
 EMI FCC Part 15, Class A  
 Rating: IP 65 Damp, Dry  
 Output Open/Short Protection  
 Min. Starting Temp: - 40° C  
 Max. Case Temp: 90° C  
 Typical Efficiency: 85%

Input Voltage range:  $\pm 10\%$   
 Output Load range  $\pm 5\%$   
 Input Frequency: 50/60HZ  
 THD: < 20%  
 Power Factor Min: 0.90  
 Remote Wiring Distance Full Load: 18AWG -18 ft

Case Size: Series MU2

Due to continuing efforts to offer improved products all specifications are subject to change without prior notice

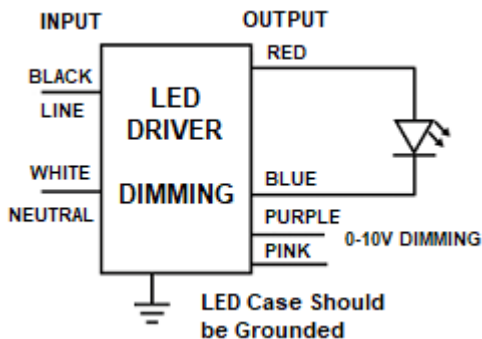
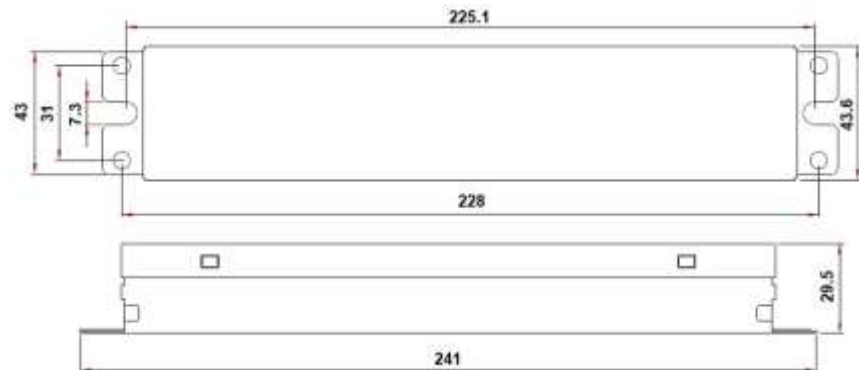
INPUT VOLTAGE	INPUT CURRENT	INPUT WATTS	OUTPUT POWER WATTS MAX	OUTPUT VOLTAGE	OUTPUT CURRENT AMPS	MODEL
120	0.6A	57	48	16 to 27V	1.75A	NU1750C48WSD
277	0.27A					

### LIMITED WARRANTY

5 YEAR at maximum case temperature 75 deg C. 3 YEAR at maximum case temperature 90 deg C. Manufacturer warrants to the purchaser: Product will be free from defects in material or workmanship from the date of manufacture conditioned upon proper storage, installation, use, and maintenance and conformance with any recommendations of Manufacturer

### Lead Length

Colour	inc	cm
Black	6	15.2
White	6	15.2
Blue	6	15.2
Red	6	15.2
Pink	7.1	18
Purple	7.1	18



### 0-10V Dimmer Compatibility Chart

LUTRON	LEVITON
NFTV	DS710-10Z
DVTV-WH	

### Case Size Series MU2

L	W	H	ML
241	43	29.5	226mm
9.5	1.7	1.2	8.9 inch

**WARNING:** Always Disconnect Power Before Handling. Case Should be Grounded. Install in Accordance with National and Local Electrical Codes

# LED DRIVER 91W 0-10V Dimming

Output Range 31V to 52V Constant Current **1750mA** Max **91W**

Universal Voltage 120-277V Electronic Constant Current 1750mA LED Driver 0-10V Dimming. Output Range of 31V to 52V for Single circuit 91W maximum.

## Technical Specification:

Class 2 UL, CUL Recognized, ROHS Compliant  
EMI FCC Part 15, Class A  
Rating: IP 65 Damp, Dry  
Output Open/Short Protection  
Min. Starting Temp: -40° C  
Max. Case Temp: 90° C  
Typical Efficiency: 88%

Input Voltage range:  $\pm 10\%$   
Output Load range:  $\pm 5\%$   
Input Frequency: 50/60HZ  
THD: < 20%  
Power Factor Min: 0.90  
Remote Wiring Distance Full Load: 18AWG -18 ft

Case Size: Series MU2

Due to continuing efforts to offer improved products all specifications are subject to change without prior notice

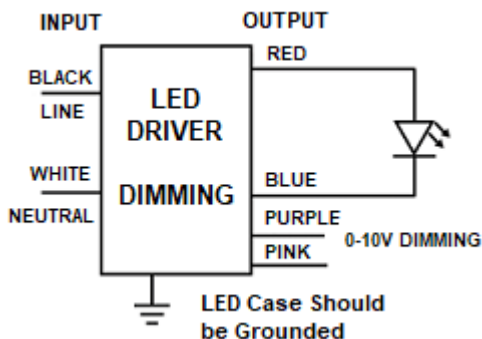
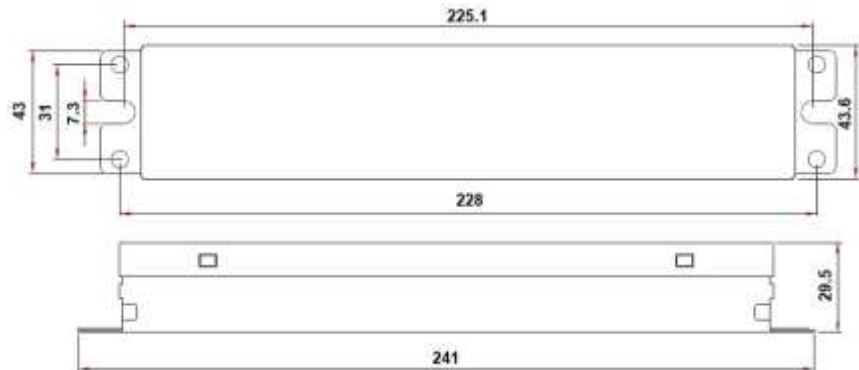
INPUT VOLTAGE	INPUT CURRENT AMPS	INPUT POWER WATTS	OUTPUT POWER WATTS	OUTPUT VOLTAGE	OUTPUT CURRENT AMPS	MODEL
120	0.95A	104	91	31 to 52V	1.75A	NU1750C91WSD
277	0.41					

### LIMITED WARRANTY

5 YEAR at maximum case temperature 75 deg C. 3 YEAR at maximum case temperature 90 deg C. Manufacturer warrants to the purchaser: Product will be free from defects in material or workmanship from the date of manufacture conditioned upon proper storage, installation, use, and maintenance and conformance with any recommendations of Manufacturer

### Lead Length

Colour	inc	cm
Black	6	15.2
White	6	15.2
Blue	6	15.2
Red	6	15.2
Pink	7.1	18
Purple	7.1	18



### 0-10V Dimmer Compatibility Chart

LUTRON	LEVITON
NFTV	DS710-10Z
DVTV-WH	

### Case Size Series MU2

L	W	H	ML
241	43	29.5	226mm
9.5	1.7	1.2	8.9 inch

**WARNING:** Always Disconnect Power Before Handling. Case Should be Grounded. Install in Accordance with National and Local Electrical Codes

# LED DRIVER 43W 0-10V Dimming

Output Range 14V to 24V Constant Current **1800mA** Max **43W**

Small Case with leads

Universal Voltage 120-277V Electronic Constant Current LED Driver 0-10V Dimming. Output Range of 14V to 24V for Single circuit 43W maximum.

## Technical Specification:

Class 2 UL, CUL Recognized, ROHS Compliant

EMI FCC Part 15, Class A

Rating: IP 65 Damp, Dry

Output Open/Short Protection

Min. Starting Temp: - 40° C

Max. Case Temp: 90° C

Typical Efficiency: 85%

Input Voltage range:  $\pm 10\%$

Output Load range  $\pm 5\%$

Input Frequency: 50/60HZ

THD: < 20%

Power Factor Min: 0.90

Remote Wiring Distance Full Load: 18AWG -18 ft

Case Size: Series C1U

Due to continuing efforts to offer improved products all specifications are subject to change without prior notice

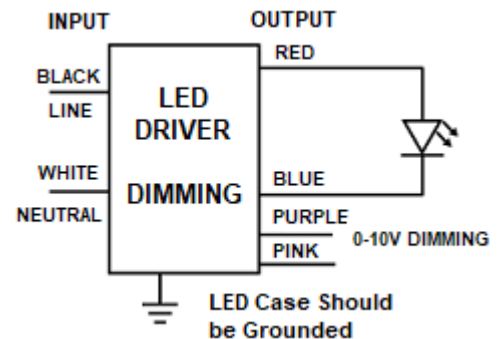
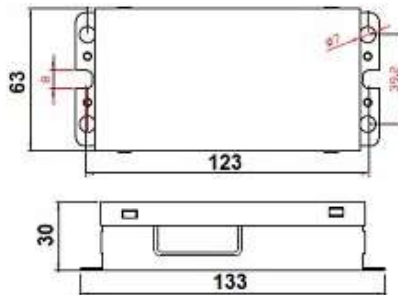
INPUT VOLTAGE	INPUT CURRENT	INPUT WATTS	OUTPUT POWER WATTS MAX	OUTPUT VOLTAGE	OUTPUT CURRENT AMPS	MODEL
120	0.55A	51	43	16 to 24V	1.8A	<b>NU1800C43WSD</b>
277	0.25A					

### LIMITED WARRANTY

5 YEAR at maximum case temperature 75 deg C. 3 YEAR at maximum case temperature 90 deg C. Manufacturer warrants to the purchaser: Product will be free from defects in material or workmanship from the date of manufacture conditioned upon proper storage, installation, use, and maintenance and conformance with any recommendations of Manufacturer

### Lead Length

Colour	inc	cm
Black	6	15.2
White	6	15.2
Blue	6	15.2
Red	6	15.2
Pink	7.1	18
Purple	7.1	18



### 0-10V Dimmer Compatibility Chart

LUTRON	LEVITON
NFTV	DS710-10Z
DVTV-WH	

### Case Size Series C1U

L	W	H	ML
133	63	30	123mm
5.23	2.48	1.18	4.84inch

**WARNING:** Always Disconnect Power Before Handling. Case Should be Grounded. Install in Accordance with National and Local Electrical Codes

901 - 3rd Street West, North Vancouver, BC V7P 3P9 Canada

TEL: 604-904-9533

www.sagedrivers.com www.sagelighting.com

*Sage  
Lighting Ltd.*

# LED DRIVER 43W 0-10V Dimming

Output Range 14V to 24V Constant Current **1800mA** Max **43W**

Linear Slim Case Terminal Blocks

Universal Voltage 120-277V Electronic Constant Current LED Driver 0-10V Dimming. Output Range of 14V to 24V for Single circuit 43W maximum.

## Technical Specification:

UL, CUL Recognized, ROHS Compliant  
 EMI FCC Part 15, Class A  
 Rating: IP 30 Damp, Dry  
 Output Open/Short Protection  
 Min. Starting Temp: -40° C  
 Max. Case Temp: 90° C  
 Typical Efficiency: 85%

Input Voltage range:  $\pm 10\%$   
 Output Load range:  $\pm 5\%$   
 Input Frequency: 50/60HZ  
 THD: < 20%  
 Power Factor Min: 0.90  
 Remote Wiring Distance Full Load: 18AWG -18 ft  
 Terminal Blocks

Case Size: Series E13

Due to continuing efforts to offer improved products all specifications are subject to change without prior notice

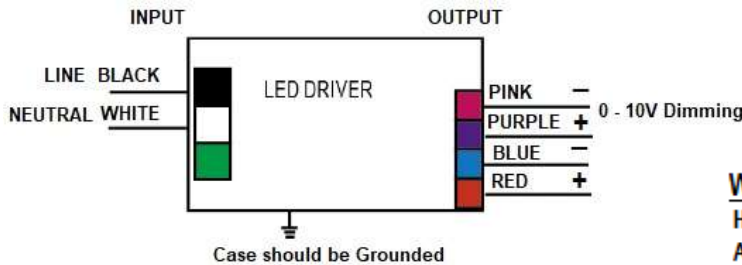
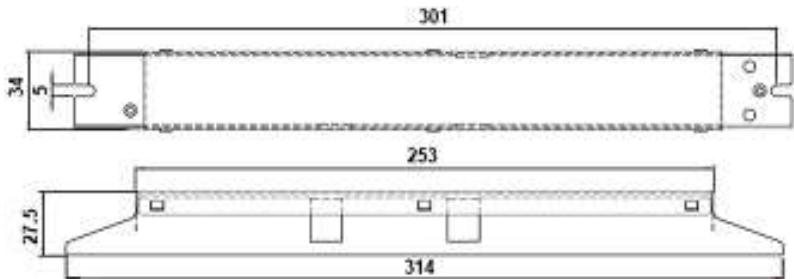
INPUT VOLTAGE	INPUT CURRENT	INPUT WATTS	OUTPUT POWER WATTS MAX	OUTPUT VOLTAGE	OUTPUT CURRENT AMPS	MODEL
120	0.83A	51	43	14 to 24V	1.8A	<b>NU1800C43WSDE13</b>
277	0.33A					

### LIMITED WARRANTY

5 YEAR at maximum case temperature 75 deg C. 3 YEAR at maximum case temperature 90 deg C. Manufacturer warrants to the purchaser: Product will be free from defects in material or workmanship from the date of manufacture conditioned upon proper storage, installation, use, and maintenance and conformance with any recommendations of Manufacturer

### 0-10V Dimmer Compatibility Chart

LUTRON	LEVITON
NFTV	DS710-10Z
DVTV-WH	



### Case Size Series E13

L	W	H	ML
314	34	27.5	301mm
12.36	1.34	1.08	11.85inch

**WARNING:** Always Disconnect Power Before Handling. Case Should be Grounded. Install in Accordance with National and Local Electrical Codes

# LED DRIVER 200W 0-10V Dimming

Output Range 67V to 111V Constant Current **1800mA** Max **200W**

Universal Voltage 120-277V Electronic Constant Current LED Driver 0-10V Dimming. Output Range of 67V to 111V for Single circuit 200W maximum.

## Technical Specification:

UL, CUL Recognized, ROHS Compliant

EMI FCC Part 15, Class A

Rating: IP 65 Damp, Dry

Output Open/Short Protection

Min. Starting Temp: -40° C

Max. Case Temp: 90° C

Typical Efficiency: 89%

Input Voltage range:  $\pm 10\%$

Output Load range  $\pm 5\%$

Input Frequency: 50/60HZ

THD: < 20%

Power Factor Min: 0.90

Remote Wiring Distance Full Load: 18AWG -18 ft

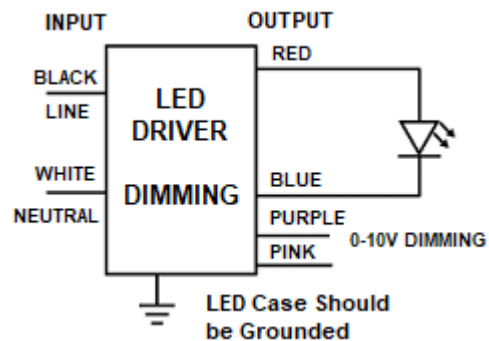
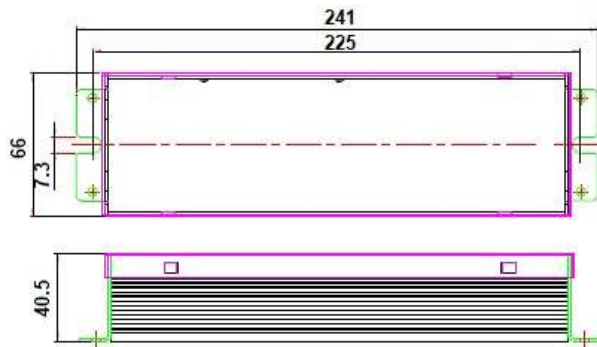
Case Size: Series FS5

Due to continuing efforts to offer improved products all specifications are subject to change without prior notice

INPUT VOLTAGE	INPUT CURRENT AMPS	INPUT POWER WATTS	OUTPUT POWER WATTS	OUTPUT VOLTAGE	OUTPUT CURRENT AMPS	MODEL
120	1.78A	225	200	67 to 111V	1.8A	<b>NU1800C200WSD</b>
277	0.78					

### LIMITED WARRANTY

5 YEAR at maximum case temperature 75 deg C. 3 YEAR at maximum case temperature 90 deg C. Manufacturer warrants to the purchaser: Product will be free from defects in material or workmanship from the date of manufacture conditioned upon proper storage, installation, use, and maintenance and conformance with any recommendations of Manufacturer



### Lead Length

Colour	inc	cm
Black	6	15.2
White	6	15.2
Blue	6	15.2
Red	6	15.2
Pink	7.1	18
Purple	7.1	18

### 0-10V Dimmer Compatibility Chart

LUTRON	LEVITON
NFTV	DS710-10Z
DVTV-WH	

### Case Size Series FS5

L	W	H	ML
241	66	40.5	226mm
9.5	2.6	1.6	8.9inch

**WARNING:** Always Disconnect Power Before Handling. Case Should be Grounded. Install in Accordance with National and Local Electrical Codes

901 - 3rd Street West, North Vancouver, BC V7P 3P9 Canada

TEL: 604-904-9533

www.sagedrivers.com www.sagelighting.com

*Sage  
Lighting Ltd.*

# LED DRIVER 80W 0-10V Dimming

Output Range 25V to 42V Constant Current **1900A** Max **80W**

Slim case with leads

Universal Voltage 120-277V Electronic Constant Current LED Driver 0-10V Dimming. Output Range of 25V to 42V for Single Output circuit 80W maximum.

## Technical Specification:

Class 2 UL, CUL Recognized, ROHS Compliant  
 EMI FCC Part 15, Class A  
 Rating: IP 65 Damp, Dry  
 Output Open/Short Protection  
 Min. Starting Temp: - 40° C  
 Max. Case Temp: 90° C  
 Efficiency: 88%

Input Voltage range:  $\pm 10\%$   
 Output Load range  $\pm 5\%$   
 Input Frequency: 50/60HZ  
 THD: < 20%  
 Power Factor Min: 0.90  
 Remote Wiring Distance Full Load: 18AWG -18 ft Typical

Case Size: Series MU2

Due to continuing efforts to offer improved products all specifications are subject to change without prior notice

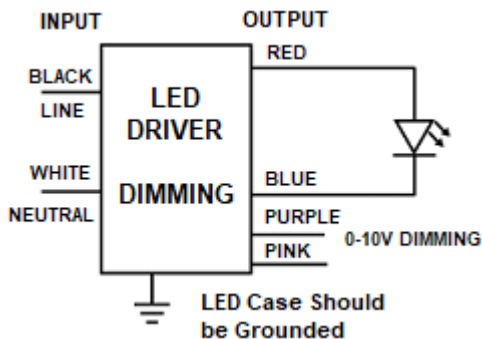
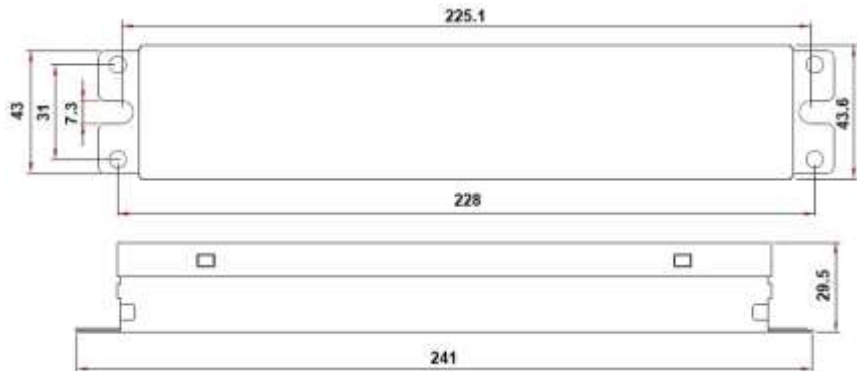
INPUT VOLTAGE	INPUT CURRENT	INPUT WATTS	OUTPUT POWER WATTS MAX	OUTPUT VOLTAGE	OUTPUT CURRENT AMPS	MODEL
120	0.79A	90	80	25 to 42V	1.9A	NU1900C80WSD
277	0.34A					

### LIMITED WARRANTY

5 YEAR at maximum case temperature 75 deg C. 3 YEAR at maximum case temperature 90 deg C. Manufacturer warrants to the purchaser: Product will be free from defects in material or workmanship from the date of manufacture conditioned upon proper storage, installation, use, and maintenance and conformance with any recommendations of Manufacturer

### Lead Length

Colour	inc	cm
Black	6	15.2
White	6	15.2
Blue	6	15.2
Red	6	15.2
Pink	7.1	18
Purple	7.1	18



### 0-10V Dimmer Compatibility Chart

LUTRON	LEVITON
NFTV	DS710-10Z
DVTV-WH	

### Case Size Series MU2

L	W	H	ML
241	43	29.5	226mm
9.5	1.7	1.2	8.9 inch

**WARNING:** Always Disconnect Power Before Handling. Case Should be Grounded. Install in Accordance with National and Local Electrical Codes

# LED DRIVER 48W 0-10V Dimming

Output Range 15V to 24V Constant Current **2000mA** Max **48W**

Universal Voltage 120-277V Electronic Constant Current LED Driver 0-10V Dimming. Output Range of 15V to 24V for Single circuit 48W maximum.

## Technical Specification:

Class 2 UL, CUL Recognized, ROHS Compliant

EMI FCC Part 15, Class A

Rating: IP 65 Damp, Dry

Output Open/Short Protection

Min. Starting Temp: - 40° C

Max. Case Temp: 90° C

Typical Efficiency: 85%

Input Voltage range:  $\pm 10\%$

Output Load range  $\pm 5\%$

Input Frequency: 50/60HZ

THD: < 20%

Power Factor Min: 0.90

Remote Wiring Distance Full Load: 18AWG -18 ft

Case Size: Series MU2

Due to continuing efforts to offer improved products all specifications are subject to change without prior notice

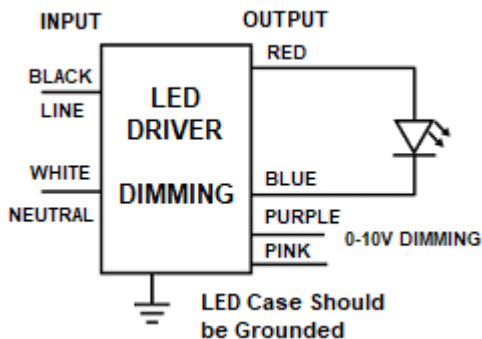
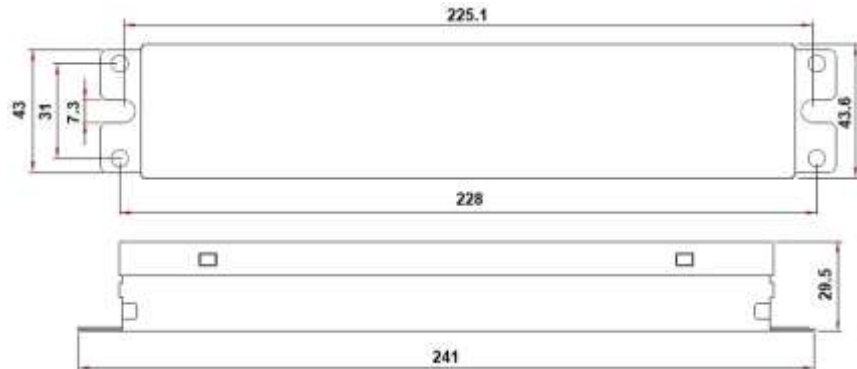
INPUT VOLTAGE	INPUT CURRENT	INPUT WATTS	OUTPUT POWER WATTS MAX	OUTPUT VOLTAGE	OUTPUT CURRENT AMPS	MODEL
120	0.6A	56	48	15 to 24V	2.0A	NU2000C48WSD
277	0.27A					

### LIMITED WARRANTY

5 YEAR at maximum case temperature 75 deg C. 3 YEAR at maximum case temperature 90 deg C. Manufacturer warrants to the purchaser: Product will be free from defects in material or workmanship from the date of manufacture conditioned upon proper storage, installation, use, and maintenance and conformance with any recommendations of Manufacturer

### Lead Length

Colour	inc	cm
Black	6	15.2
White	6	15.2
Blue	6	15.2
Red	6	15.2
Pink	7.1	18
Purple	7.1	18



### 0-10V Dimmer Compatibility Chart

LUTRON	LEVITON
NFTV	DS710-10Z
DVTV-WH	

### Case Size Series MU2

L	W	H	ML
241	43	29.5	226mm
9.5	1.7	1.2	8.9 inch

**WARNING:** Always Disconnect Power Before Handling. Case Should be Grounded. Install in Accordance with National and Local Electrical Codes

901 - 3rd Street West, North Vancouver, BC V7P 3P9 Canada

TEL: 604-904-9533

www.sagedrivers.com www.sagelighting.com

*Sage  
Lighting Ltd.*



# LED DRIVER 84W 0-10V Dimming

Output Range 25V to 42V Constant Current **2000mA** Max **84W**

Bottom Mount Studs with leads

Universal Voltage 120-277V Electronic Constant Current LED Driver 0-10V Dimming. Output Range of 25V to 42V for Single Output circuit 84W maximum.

## Technical Specification:

Class 2 UL, CUL Recognized, ROHS Compliant  
 EMI FCC Part 15, Class A  
 Rating: IP 65 Damp, Dry  
 Output Open/Short Protection  
 Min. Starting Temp: - 40° C  
 Max. Case Temp: 90° C  
 Efficiency: 89%

Input Voltage range:  $\pm 10\%$   
 Output Load range  $\pm 5\%$   
 Input Frequency: 50/60HZ  
 THD: < 20%  
 Power Factor Min: 0.90  
 Remote Wiring Distance Full Load: 18AWG -18 ft Typical  
 Bottom Mount Studs

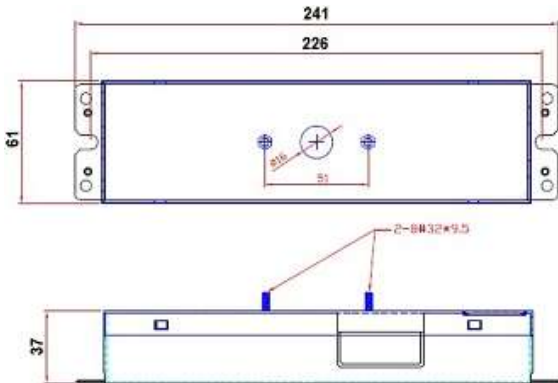
Case Size: Series FS3

Due to continuing efforts to offer improved products all specifications are subject to change without prior notice

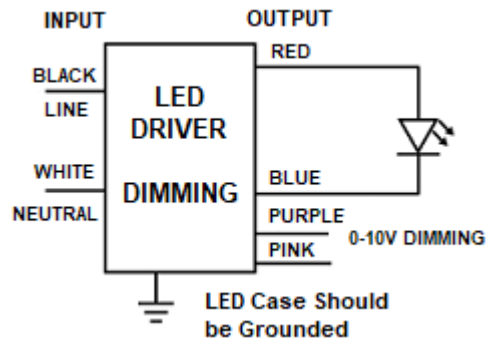
INPUT VOLTAGE	INPUT CURRENT	INPUT WATTS	OUTPUT POWER WATTS MAX	OUTPUT VOLTAGE	OUTPUT CURRENT AMPS	MODEL
120	0.79A	94	84	25 to 42V	2.0A	NU2000C84WSBD
277	0.34A					

### LIMITED WARRANTY

5 YEAR at maximum case temperature 75 deg C. 3 YEAR at maximum case temperature 90 deg C. Manufacturer warrants to the purchaser: Product will be free from defects in material or workmanship from the date of manufacture conditioned upon proper storage, installation, use, and maintenance and conformance with any recommendations of Manufacturer



**WARNING:** Always Disconnect Power Before Handling. Case Should be Grounded. Install in Accordance with National and Local Electrical Codes



### 0-10V Dimmer Compatibility Chart

LUTRON	LEVITON
NFTV	DS710-10Z
DVTV-WH	

### Case Size Series FS3

L	W	H	ML
241	61	37	226mm
9.5	2.4	1.46	8.9inch

### Lead Length

Colour	inc	cm
Black	6	15.2
White	6	15.2
Blue	6	15.2
Red	6	15.2
Pink	7.1	18
Purple	7.1	18

# LED DRIVER 84W 0-10V Dimming

Output Range 25V to 42V Constant Current **2000mA** Max **84W**

**Slim case** with leads

Universal Voltage 120-277V Electronic Constant Current LED Driver 0-10V Dimming. Output Range of 25V to 42V for Single Output circuit 84W maximum.

## Technical Specification:

Class 2 UL, CUL Recognized, ROHS Compliant  
 EMI FCC Part 15, Class A  
 Rating: IP 65 Damp, Dry  
 Output Open/Short Protection  
 Min. Starting Temp: - 40° C  
 Max. Case Temp: 90° C  
 Efficiency: 89%

Input Voltage range:  $\pm 10\%$   
 Output Load range:  $\pm 5\%$   
 Input Frequency: 50/60HZ  
 THD: < 20%  
 Power Factor Min: 0.90  
 Remote Wiring Distance Full Load: 18AWG -18 ft Typical

**Case Size: Series MU2**

Due to continuing efforts to offer improved products all specifications are subject to change without prior notice

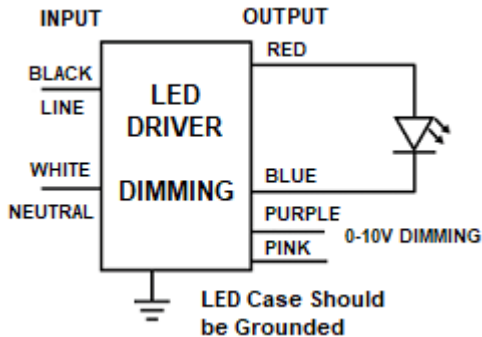
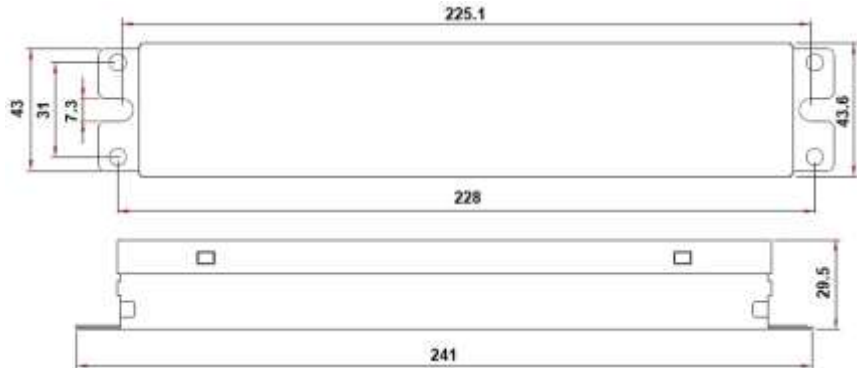
INPUT VOLTAGE	INPUT CURRENT	INPUT WATTS	OUTPUT POWER WATTS MAX	OUTPUT VOLTAGE	OUTPUT CURRENT AMPS	MODEL
120	0.79A	94	84	25 to 42V	2.0A	<b>NU2000C84WSD</b>
277	0.34A					

### LIMITED WARRANTY

5 YEAR at maximum case temperature 75 deg C. 3 YEAR at maximum case temperature 90 deg C. Manufacturer warrants to the purchaser: Product will be free from defects in material or workmanship from the date of manufacture conditioned upon proper storage, installation, use, and maintenance and conformance with any recommendations of Manufacturer

### Lead Length

Colour	inc	cm
Black	6	15.2
White	6	15.2
Blue	6	15.2
Red	6	15.2
Pink	7.1	18
Purple	7.1	18



### 0-10V Dimmer Compatibility Chart

LUTRON	LEVITON
NFTV	DS710-10Z
DVTV-WH	

### Case Size Series MU2

L	W	H	ML
241	43	29.5	226mm
9.5	1.7	1.2	8.9 inch

**WARNING:** Always Disconnect Power Before Handling. Case Should be Grounded. Install in Accordance with National and Local Electrical Codes

# LED DRIVER 108W 0-10V Dimming

Output Range 33V to 54V Constant Current **2000mA** Max **108W**

Universal Voltage 120-277V Electronic Constant Current LED Driver 0-10V Dimming. Output Range of 33V to 54V for Single circuit 108W maximum.

## Technical Specification:

UL, CUL Recognized, ROHS Compliant

EMI FCC part 15 Class A

Rating: IP 65 Damp, Dry

Output Open/Short Protection

Min. Starting Temp: - 40° C

Max. Case Temp: 90° C

Typical Efficiency: 88%

Input Voltage range:  $\pm 10\%$

Output Load range  $\pm 5\%$

Input Frequency: 50/60HZ

THD: < 10%

Power Factor Min: 0.90

Remote Wiring Distance Full Load: 18AWG -18 ft

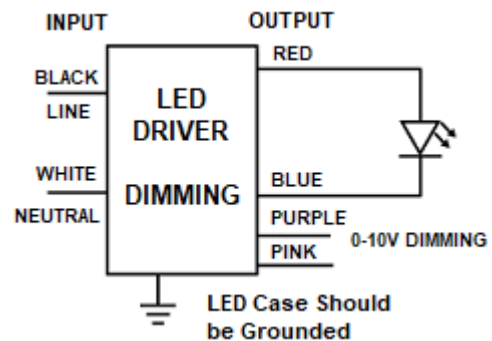
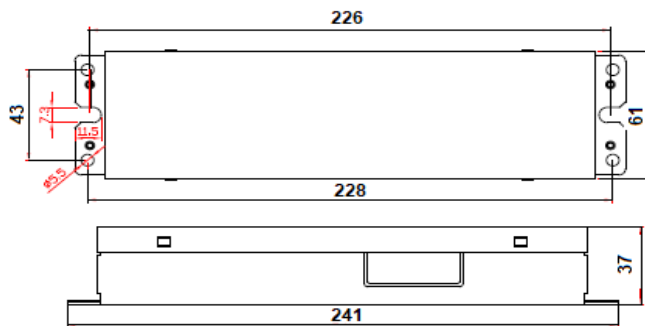
Case Size: Series FS3

Due to continuing efforts to offer improved products all specifications are subject to change without prior notice

INPUT VOLTAGE	INPUT CURRENT	INPUT WATTS	OUTPUT POWER WATTS MAX	OUTPUT VOLTAGE	OUTPUT CURRENT AMPS	MODEL
120	1.04A	123	108	33 to 54V	2.0A	NU2000C108WSD
277	0.45A					

### LIMITED WARRANTY

5 YEAR at maximum case temperature 75 deg C. 3 YEAR at maximum case temperature 90 deg C. Manufacturer warrants to the purchaser: Product will be free from defects in material or workmanship from the date of manufacture conditioned upon proper storage, installation, use, and maintenance and conformance with any recommendations of Manufacturer



### Lead Length

Colour	inc	cm
Black	6	15.2
White	6	15.2
Blue	6	15.2
Red	6	15.2
Pink	7.1	18
Purple	7.1	18

### 0-10V Dimmer

#### Compatibility Chart

LUTRON	LEVITON
NFTV	DS710-10Z
DVTV-WH	

### Case Size Series FS3

L	W	H	ML
241	61	37	226mm
9.5	2.4	1.46	8.9inch

**WARNING:** Always Disconnect Power Before Handling. Case Should be Grounded. Install in Accordance with National and Local Electrical Codes

901 - 3rd Street West, North Vancouver, BC V7P 3P9 Canada

TEL: 604-904-9533

www.sagedrivers.com www.sagelighting.com

*Sage  
Lighting Ltd.*

# LED DRIVER 108W 0-10V Dimming

Output Range 33V to 54V Constant Current **2000mA** Max **108W**

Bottom Mount Studs with leads

Universal Voltage 120-277V Electronic Constant Current LED Driver 0-10V Dimming. Output Range of 33V to 54V for Single circuit 108W maximum.

## Technical Specification:

UL, CUL Recognized, ROHS Compliant

EMI FCC part 15 Class A

Rating: IP 65 Damp, Dry

Output Open/Short Protection

Min. Starting Temp: - 40° C

Max. Case Temp: 90° C

Typical Efficiency: 88%

Input Voltage range:  $\pm 10\%$

Output Load range  $\pm 5\%$

Input Frequency: 50/60HZ

THD: < 10%

Power Factor Min: 0.90

Remote Wiring Distance Full Load: 18AWG -18 ft

Bottom Mount Studs

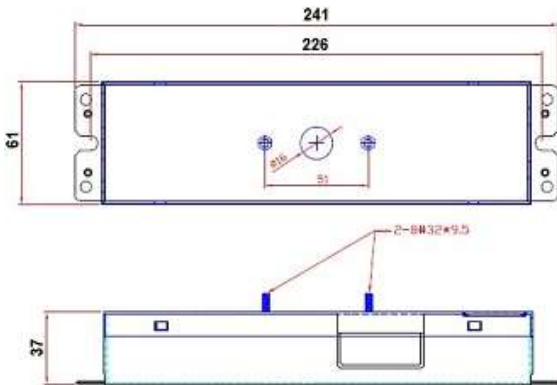
Case Size: Series FS3

Due to continuing efforts to offer improved products all specifications are subject to change without prior notice

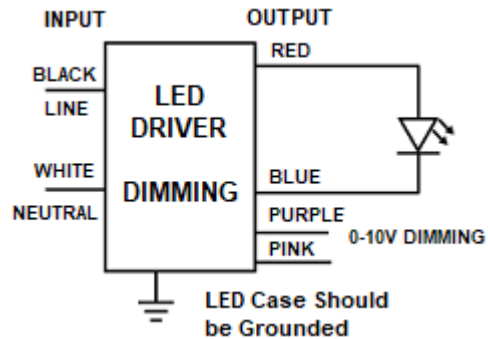
INPUT VOLTAGE	INPUT CURRENT	INPUT WATTS	OUTPUT POWER WATTS MAX	OUTPUT VOLTAGE	OUTPUT CURRENT AMPS	MODEL
120	1.04A	123	108	33 to 54V	2.0A	NU2000C108WSBD
277	0.45A					

### LIMITED WARRANTY

5 YEAR at maximum case temperature 75 deg C. 3 YEAR at maximum case temperature 90 deg C. Manufacturer warrants to the purchaser: Product will be free from defects in material or workmanship from the date of manufacture conditioned upon proper storage, installation, use, and maintenance and conformance with any recommendations of Manufacturer



**WARNING:** Always Disconnect Power Before Handling. Case Should be Grounded. Install in Accordance with National and Local Electrical Codes



### 0-10V Dimmer Compatibility Chart

LUTRON	LEVITON
NFTV	DS710-10Z
DVTV-WH	

### Case Size Series FS3

L	W	H	ML
241	61	37	226mm
9.5	2.4	1.46	8.9inch

### Lead Length

Colour	inc	cm
Black	6	15.2
White	6	15.2
Blue	6	15.2
Red	6	15.2
Pink	7.1	18
Purple	7.1	18

# LED DRIVER 110W 0-10V Dimming

Output Range 33V to 55V Constant Current **2000A** Max **110W**

Universal Voltage 120-277V Electronic Constant Current LED Driver 0-10V Dimming. Output Range of 33V to 55V for Single Output circuit 110W maximum.

## Technical Specification:

UL, CUL Recognized, ROHS Compliant  
 EMI FCC Part 15, Class A  
 Rating: IP 65 Damp, Dry  
 Output Open/Short Protection  
 Min. Starting Temp: - 40° C  
 Max. Case Temp: 90° C  
 Typical Efficiency: 88%

Input Voltage range:  $\pm 10\%$   
 Output Load range  $\pm 5\%$   
 Input Frequency: 50/60HZ  
 THD: < 20%  
 Power Factor Min: 0.90  
 Remote Wiring Distance Full Load: 18AWG -18 ft

Case Size: Series FS3

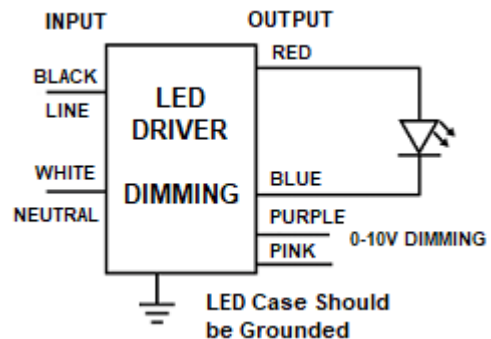
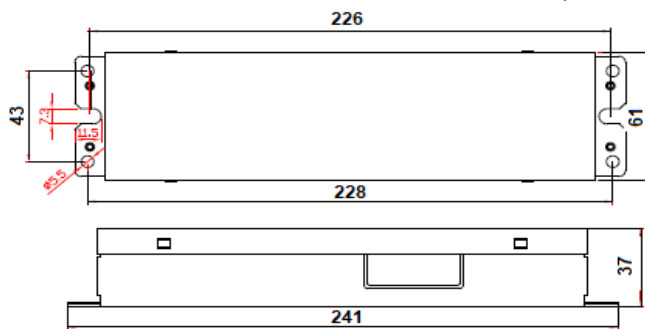
Due to continuing efforts to offer improved products all specifications are subject to change without prior notice

2/3/22

INPUT VOLTAGE	INPUT CURRENT	INPUT WATTS	OUTPUT POWER WATTS MAX	OUTPUT VOLTAGE	OUTPUT CURRENT AMPS	MODEL
120	1.07A	125	110	33 - 55V	2.0A	NU2000C110WSDIM
277	0.46A					

### LIMITED WARRANTY

5 YEAR at maximum case temperature 75 deg C. 3 YEAR at maximum case temperature 90 deg C. Manufacturer warrants to the purchaser: Product will be free from defects in material or workmanship from the date of manufacture conditioned upon proper storage, installation, use, and maintenance and conformance with any recommendations of Manufacturer



### Lead Length

Colour	inc	cm
Black	6	15.2
White	6	15.2
Blue	6	15.2
Red	6	15.2
Pink	7.1	18
Purple	7.1	18

### 0-10V Dimmer Compatibility Chart

LUTRON	LEVITON
NFTV	DS710-10Z
DVTV-WH	

### Case Size Series FS3

L	W	H	ML
241	61	37	226mm
9.5	2.4	1.46	8.9inch

**WARNING:** Always Disconnect Power Before Handling. Case Should be Grounded. Install in Accordance with National and Local Electrical Codes

# LED DRIVER 50W 0-10V Dimming

Output Range 15V to 24V Constant Current **2100mA** Max **50W**

Universal Voltage 120-277V Electronic Constant Current LED Driver 0-10V Dimming. Output Range of 15V to 24V for Single circuit 50W maximum.

## Technical Specification:

Class 2 UL, CUL Recognized, ROHS Compliant

EMI FCC Part 15, Class A

Rating: IP 65 Damp, Dry

Output Open/Short Protection

Min. Starting Temp: - 40° C

Max. Case Temp: 90° C

Typical Efficiency: 84%

Input Voltage range:  $\pm 10\%$

Output Load range  $\pm 5\%$

Input Frequency: 50/60HZ

THD: < 20%

Power Factor Min: 0.90

Remote Wiring Distance Full Load: 18AWG -18 ft

Case Size: Series MU2

Due to continuing efforts to offer improved products all specifications are subject to change without prior notice

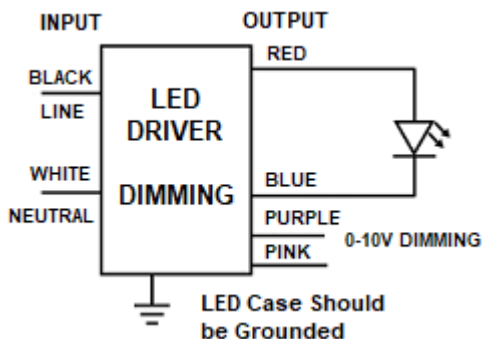
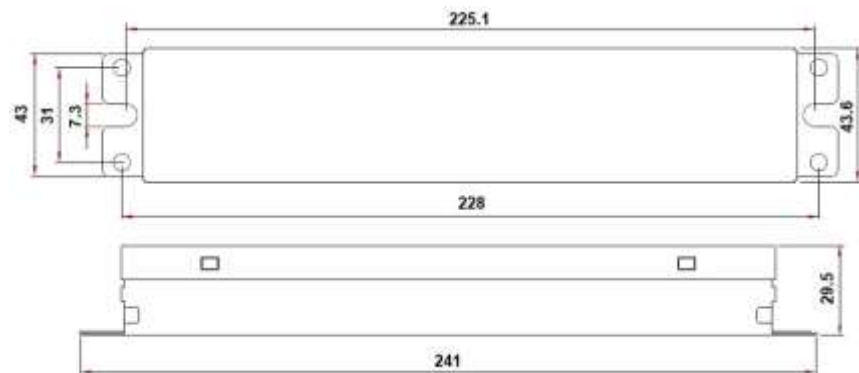
INPUT VOLTAGE	INPUT CURRENT	INPUT WATTS	OUTPUT POWER WATTS MAX	OUTPUT VOLTAGE	OUTPUT CURRENT AMPS	MODEL
120	0.50A	60	50	15 to 24V	2.1A	NU2100C50WSD
277	0.22A					

### LIMITED WARRANTY

5 YEAR at maximum case temperature 75 deg C. 3 YEAR at maximum case temperature 90 deg C. Manufacturer warrants to the purchaser: Product will be free from defects in material or workmanship from the date of manufacture conditioned upon proper storage, installation, use, and maintenance and conformance with any recommendations of Manufacturer

### Lead Length

Colour	inc	cm
Black	6	15.2
White	6	15.2
Blue	6	15.2
Red	6	15.2
Pink	7.1	18
Purple	7.1	18



### 0-10V Dimmer Compatibility Chart

LUTRON	LEVITON
NFTV	DS710-10Z
DVTV-WH	

### Case Size Series MU2

L	W	H	ML
241	43	29.5	226mm
9.5	1.7	1.2	8.9 inch

**WARNING:** Always Disconnect Power Before Handling. Case Should be Grounded. Install in Accordance with National and Local Electrical Codes

# LED DRIVER 84W 0-10V Dimming

Output Range 24V to 40V Constant Current **2100A** Max **84W**

Universal Voltage 120-277V Electronic Constant Current LED Driver 0-10V Dimming. Output Range of 24V to 40V for Single circuit 84W maximum.

## Technical Specification:

Class 2 UL, CUL Recognized, ROHS Compliant  
 EMI FCC Part 15, Class A  
 Rating: IP 65 Damp, Dry  
 Output Open/Short Protection  
 Min. Starting Temp: - 40° C  
 Max. Case Temp: 90° C  
 Typical Efficiency: 88%

Input Voltage range:  $\pm 10\%$   
 Output Load range  $\pm 5\%$   
 Input Frequency: 50/60HZ  
 THD: < 20%  
 Power Factor Min: 0.90  
 Remote Wiring Distance Full Load: 18AWG -18 ft

**Case Size: Series FS3**

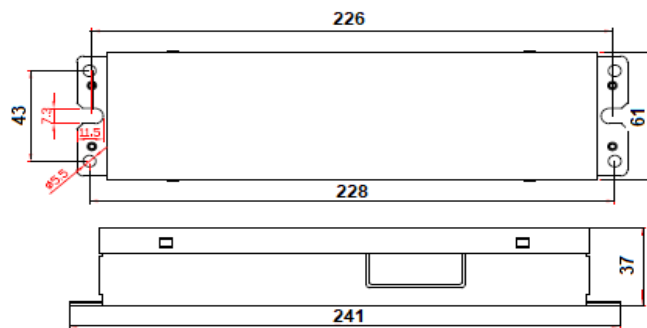
Due to continuing efforts to offer improved products all specifications are subject to change without prior notice

1/3/20

INPUT VOLTAGE	INPUT CURRENT	INPUT WATTS	OUTPUT POWER WATTS MAX	OUTPUT VOLTAGE	OUTPUT CURRENT AMPS	MODEL
120V-277V	0.79A - 0.3A	95	84	24 to 40V	2.1A	<b>NU2100C84WSDIM</b>

### LIMITED WARRANTY

5 YEAR at maximum case temperature 75 deg C. 3 YEAR at maximum case temperature 90 deg C. Manufacturer warrants to the purchaser: Product will be free from defects in material or workmanship from the date of manufacture conditioned upon proper storage, installation, use, and maintenance and conformance with any recommendations of Manufacturer



### Lead Length

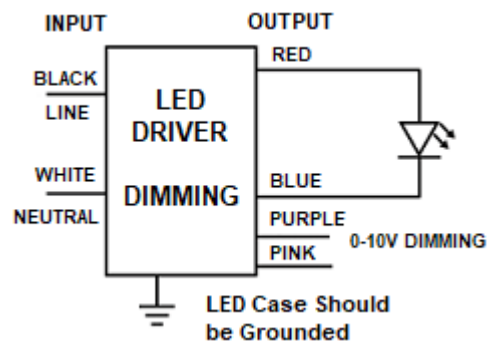
Colour	inc	cm
Black	6	15.2
White	6	15.2
Blue	6	15.2
Red	6	15.2
Pink	7.1	18
Purple	7.1	18

### 0-10V Dimmer Compatibility Chart

LUTRON	LEVITON
NFTV	DS710-10Z
DVTV-WH	

### Case Size Series FS3

L	W	H	ML
241	61	37	226mm
9.5	2.4	1.46	8.9inch



**WARNING:** Always Disconnect Power Before Handling. Case Should be Grounded. Install in Accordance with National and Local Electrical Codes

# LED DRIVER 84W 0-10V Dimming

Output Range 24V to 40V Constant Current **2100A** Max **84W**

Universal Voltage 120-277V Electronic Constant Current LED Driver 0-10V Dimming. Output Range of 24V to 40V for Single circuit 84W maximum.

## Technical Specification:

Class 2 UL, CUL Recognized ROHS Compliant  
 EMI FCC Part 15, Class A  
 Rating: IP 65 Damp, Dry  
 Output Open/Short Protection  
 Min. Starting Temp: - 40° C  
 Max. Case Temp: 90° C  
 Typical Efficiency: 89%

Input Voltage range:  $\pm$  5%  
 Output Load range:  $\pm$  5%  
 Input Frequency: 50/60HZ  
 THD: < 20%  
 Power Factor Min: 0.90  
 Remote Wiring Distance Full Load: 18AWG -18 ft

Case Size: Series CH14U

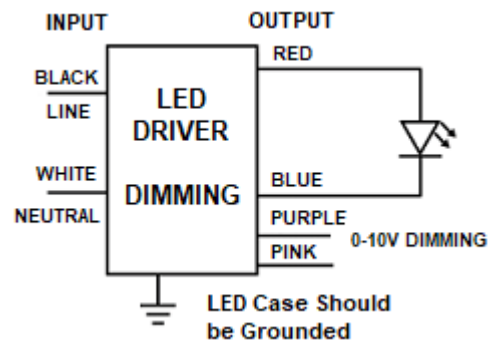
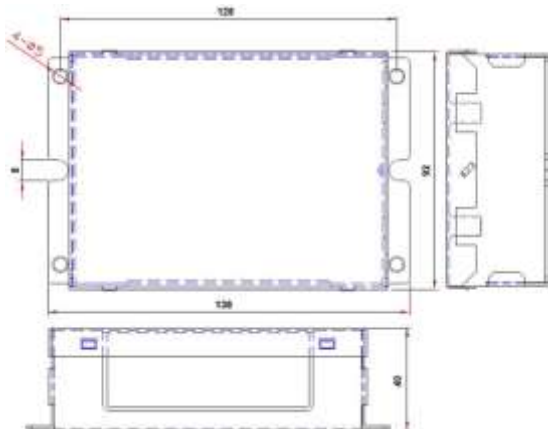
Due to continuing efforts to offer improved products all specifications are subject to change without prior notice

1/9/20

INPUT VOLTAGE	INPUT CURRENT	INPUT WATTS	OUTPUT POWER WATTS MAX	OUTPUT VOLTAGE	OUTPUT CURRENT AMPS	MODEL
120V-277V	0.79A - 0.34A	94	84	24 to 40V	2.1A	<b>NU2100C84WSDC14</b>

### LIMITED WARRANTY

5 YEAR at maximum case temperature 75 deg C. 3 YEAR at maximum case temperature 90 deg C. Manufacturer warrants to the purchaser: Product will be free from defects in material or workmanship from the date of manufacture conditioned upon proper storage, installation, use, and maintenance and conformance with any recommendations of Manufacturer



Case Size Series CH14U

L	W	H	ML
138	92	40	128mm
5.4	3.62	1.57	5.04inch

0-10V Dimmer Compatibility Chart

LUTRON	LEVITON
NFTV	DS710-10Z
DVTV-WH	

Lead Length

Colour	inc	cm
Black	6	15.2
White	6	15.2
Blue	6	15.2
Red	6	15.2
Pink	7.1	18
Purple	7.1	18

**WARNING:** Always Disconnect Power Before Handling. Case Should be Grounded. Install in Accordance with National and Local Electrical Codes



# LED DRIVER 88W 0-10V Dimming

Output Range 25V to 42V Constant Current **2100mA** Max **88W**

Universal Voltage 120-277V Electronic Constant Current LED Driver 0-10V Dimming. Output Range of 25V to 42V for Single circuit 88W maximum.

## Technical Specification:

Class 2 UL, CUL Recognized, ROHS Compliant

EMI FCC Part 15, Class A

Rating: IP 65 Damp, Dry

Output Open/Short Protection

Min. Starting Temp: - 40° C

Max. Case Temp: 90° C

Typical Efficiency: 87%

Input Voltage range:  $\pm 10\%$

Output Load range:  $\pm 5\%$

Input Frequency: 50/60HZ

THD: < 20%

Power Factor Min: 0.90

Remote Wiring Distance Full Load: 18AWG -18 ft

Case Size: Series MU2

Due to continuing efforts to offer improved products all specifications are subject to change without prior notice

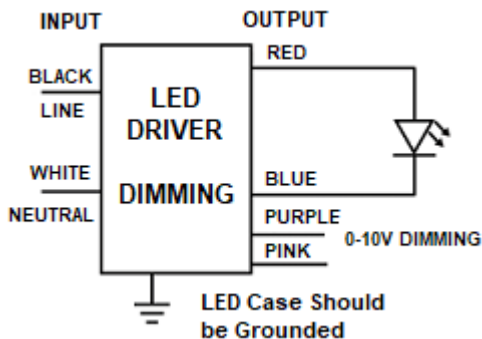
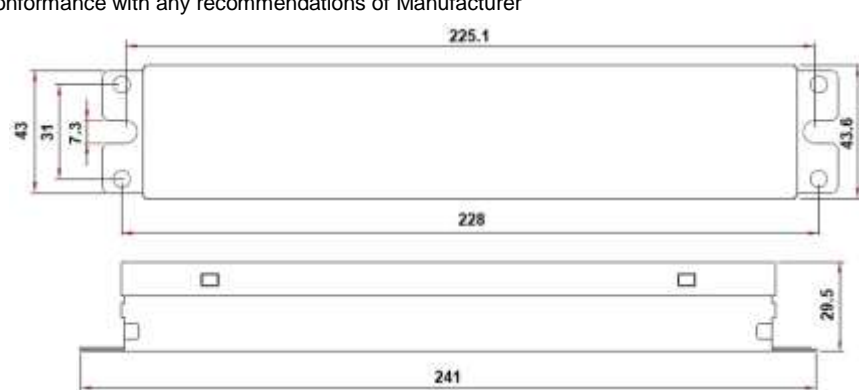
INPUT VOLTAGE	INPUT CURRENT AMPS	INPUT POWER WATTS	OUTPUT POWER WATTS	OUTPUT VOLTAGE	OUTPUT CURRENT AMPS	MODEL
120	0.95A	101	88	25 to 42V	2.1A	<b>NU2100C88WSD</b>
277	0.41					

### LIMITED WARRANTY

5 YEAR at maximum case temperature 75 deg C. 3 YEAR at maximum case temperature 90 deg C. Manufacturer warrants to the purchaser: Product will be free from defects in material or workmanship from the date of manufacture conditioned upon proper storage, installation, use, and maintenance and conformance with any recommendations of Manufacturer

### Lead Length

Colour	inc	cm
Black	6	15.2
White	6	15.2
Blue	6	15.2
Red	6	15.2
Pink	7.1	18
Purple	7.1	18



### 0-10V Dimmer Compatibility Chart

LUTRON	LEVITON
NFTV	DS710-10Z
DVTV-WH	

### Case Size Series MU2

L	W	H	ML
241	43	29.5	226mm
9.5	1.7	1.2	8.9 inch

**WARNING:** Always Disconnect Power Before Handling. Case Should be Grounded. Install in Accordance with National and Local Electrical Codes

# LED DRIVER 200W 0-10V Dimming

Output Range 57V to 95V Constant Current **2100mA** Max **200W**

Universal Voltage 120-277V Electronic Constant Current LED Driver 0-10V Dimming. Output Range of 57V to 95V for Single circuit 200W maximum.

## Technical Specification:

UL, CUL Recognized, ROHS Compliant

EMI FCC Part 15, Class A

Rating: IP 65 Damp, Dry

Output Open/Short Protection

Min. Starting Temp: - 40° C

Max. Case Temp: 90° C

Typical Efficiency: 89%

Input Voltage range:  $\pm 10\%$

Output Load range  $\pm 5\%$

Input Frequency: 50/60HZ

THD: < 20%

Power Factor Min: 0.90

Remote Wiring Distance Full Load: 18AWG -18 ft

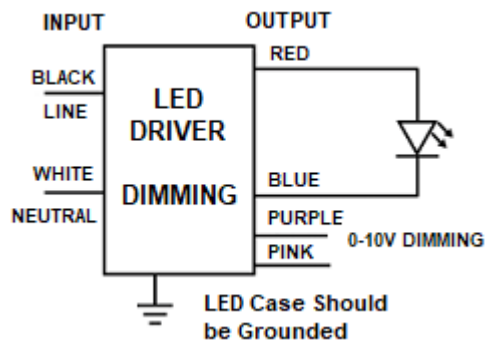
Case Size: Series FS5

Due to continuing efforts to offer improved products all specifications are subject to change without prior notice

INPUT VOLTAGE	INPUT CURRENT AMPS	INPUT POWER WATTS	OUTPUT POWER WATTS	OUTPUT VOLTAGE	OUTPUT CURRENT AMPS	MODEL
120	1.78A	225	200	57 to 95V	2.1A	NU2100C200WSD
277	0.78					

### LIMITED WARRANTY

5 YEAR at maximum case temperature 75 deg C. 3 YEAR at maximum case temperature 90 deg C. Manufacturer warrants to the purchaser: Product will be free from defects in material or workmanship from the date of manufacture conditioned upon proper storage, installation, use, and maintenance and conformance with any recommendations of Manufacturer



### Lead Length

Colour	inc	cm
Black	6	15.2
White	6	15.2
Blue	6	15.2
Red	6	15.2
Pink	7.1	18
Purple	7.1	18

### 0-10V Dimmer Compatibility Chart

LUTRON	LEVITON
NFTV	DS710-10Z
DVTV-WH	

### Case Size Series FS5

L	W	H	ML
241	66	40.5	226mm
9.5	2.6	1.6	8.9inch

**WARNING:** Always Disconnect Power Before Handling. Case Should be Grounded. Install in Accordance with National and Local Electrical Codes

901 - 3rd Street West, North Vancouver, BC V7P 3P9 Canada

TEL: 604-904-9533

www.sagedrivers.com www.sagelighting.com

*Sage  
Lighting Ltd.*

# LED DRIVER 100W 0-10V Dimming

Output Range 27V to 45V Constant Current **2200mA** Max **100W**

Universal Voltage 120-277V Electronic Constant Current LED Driver 0-10V Dimming. Output Range of 27V to 45V for Single circuit 100W maximum.

## Technical Specification:

Class 2 UL, CUL Recognized, ROHS Compliant

EMI FCC Part 15, Class A

Rating: IP 65 Damp, Dry

Output Open/Short Protection

Min. Starting Temp: - 40° C

Max. Case Temp: 90° C

Typical Efficiency: 89%

Input Voltage range:  $\pm 10\%$

Output Load range  $\pm 5\%$

Input Frequency: 50/60HZ

THD: < 20%

Power Factor Min: 0.90

Remote Wiring Distance Full Load: 18AWG -18 ft

Case Size: Series MU2

Due to continuing efforts to offer improved products all specifications are subject to change without prior notice

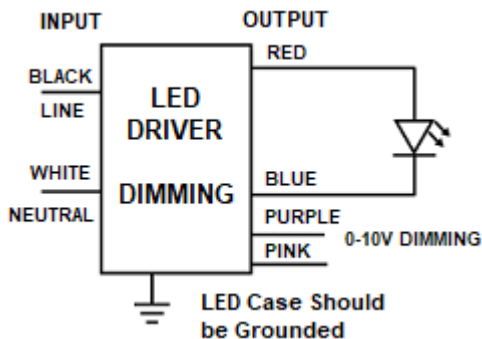
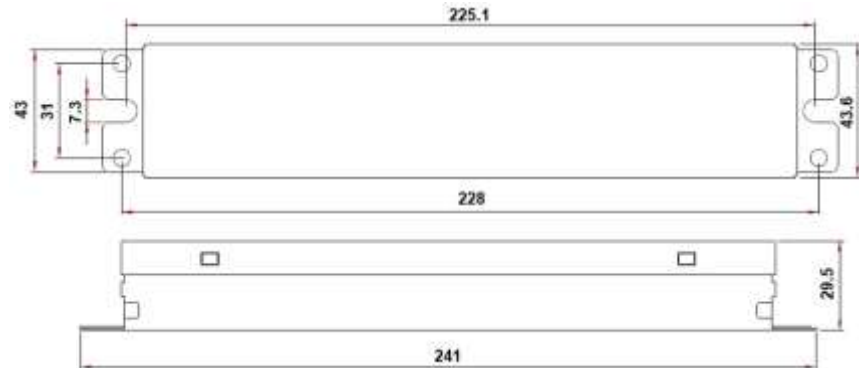
INPUT VOLTAGE	INPUT CURRENT AMPS	INPUT POWER WATTS	OUTPUT POWER WATTS	OUTPUT VOLTAGE	OUTPUT CURRENT AMPS	MODEL
120	0.95A	112	100	27 to 45V	2.2A	NU2200C100WSD
277	0.41					

### LIMITED WARRANTY

5 YEAR at maximum case temperature 75 deg C. 3 YEAR at maximum case temperature 90 deg C. Manufacturer warrants to the purchaser: Product will be free from defects in material or workmanship from the date of manufacture conditioned upon proper storage, installation, use, and maintenance and conformance with any recommendations of Manufacturer

### Lead Length

Colour	inc	cm
Black	6	15.2
White	6	15.2
Blue	6	15.2
Red	6	15.2
Pink	7.1	18
Purple	7.1	18



### 0-10V Dimmer Compatibility Chart

LUTRON	LEVITON
NFTV	DS710-10Z
DVTV-WH	

### Case Size Series MU2

L	W	H	ML
241	43	29.5	226mm
9.5	1.7	1.2	8.9 inch

**WARNING:** Always Disconnect Power Before Handling. Case Should be Grounded. Install in Accordance with National and Local Electrical Codes

# LED DRIVER 96W 0-10V Dimming

Output Range 24V to 40V Constant Current **2400mA** Max **96W**

Universal Voltage 120-277V Electronic Constant Current LED Driver 0-10V Dimming. Output Range of 24V to 40V for Single circuit 96W maximum.

## Technical Specification:

Class 2 UL, CUL Recognized, ROHS Compliant

EMI FCC Part 15, Class A

Rating: IP 65 Damp, Dry

Output Open/Short Protection

Min. Starting Temp: - 40° C

Max. Case Temp: 90° C

Typical Efficiency: 90%

Input Voltage range:  $\pm 10\%$

Output Load range  $\pm 5\%$

Input Frequency: 50/60HZ

THD: < 20%

Power Factor Min: 0.90

Remote Wiring Distance Full Load: 18AWG -18 ft

Case Size: Series MU2

Due to continuing efforts to offer improved products all specifications are subject to change without prior notice

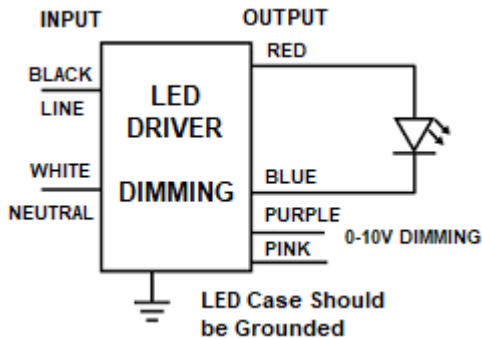
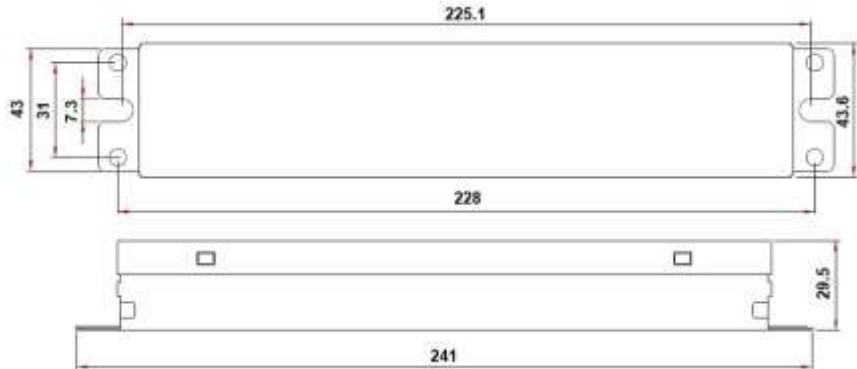
INPUT VOLTAGE	INPUT CURRENT AMPS	INPUT POWER WATTS	OUTPUT POWER WATTS	OUTPUT VOLTAGE	OUTPUT CURRENT AMPS	MODEL
120	0.93A	107	96	24 to 40V	2.4A	NU2400C96WSD
277	0.40A					

### LIMITED WARRANTY

5 YEAR at maximum case temperature 75 deg C. 3 YEAR at maximum case temperature 90 deg C. Manufacturer warrants to the purchaser: Product will be free from defects in material or workmanship from the date of manufacture conditioned upon proper storage, installation, use, and maintenance and conformance with any recommendations of Manufacturer

### Lead Length

Colour	inc	cm
Black	6	15.2
White	6	15.2
Blue	6	15.2
Red	6	15.2
Pink	7.1	18
Purple	7.1	18



### 0-10V Dimmer Compatibility Chart

LUTRON	LEVITON
NFTV	DS710-10Z
DVTV-WH	

### Case Size Series MU2

L	W	H	ML
241	43	29.5	226mm
9.5	1.7	1.2	8.9 inch

**WARNING:** Always Disconnect Power Before Handling. Case Should be Grounded. Install in Accordance with National and Local Electrical Codes

901 - 3rd Street West, North Vancouver, BC V7P 3P9 Canada

TEL: 604-904-9533

www.sagedrivers.com www.sagelighting.com

*Sage Lighting Ltd.*

# LED DRIVER 120W 0-10V Dimming

Output Range 30V to 50V Constant Current **2400mA** Max **120W**

Universal Voltage 120-277V Electronic Constant Current LED Driver 0-10V Dimming. Output Range of 30V to 50V for Single circuit 120W maximum.

## Technical Specification:

UL, CUL Recognized, ROHS Compliant

EMI FCC Part 15, Class A

Rating: IP 65 Damp, Dry

Output Open/Short Protection

Min. Starting Temp: -40° C

Max. Case Temp: 90° C

Typical Efficiency: 88%

Input Voltage range:  $\pm 10\%$

Output Load range:  $\pm 5\%$

Input Frequency: 50/60HZ

THD: < 20%

Power Factor Min: 0.90

Remote Wiring Distance Full Load: 18AWG -18 ft

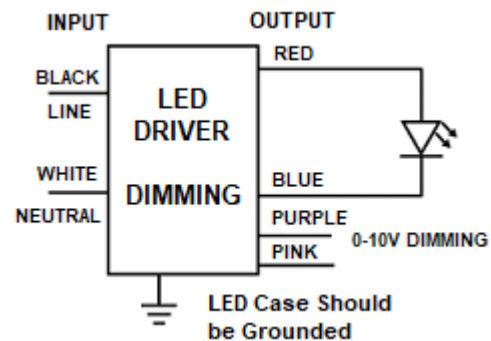
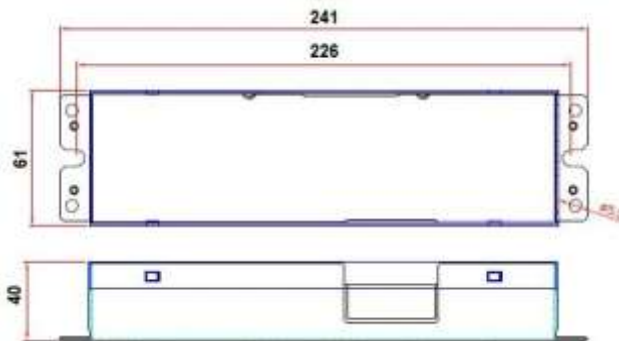
Case Size: Series FS4

Due to continuing efforts to offer improved products all specifications are subject to change without prior notice

INPUT VOLTAGE	INPUT CURRENT	INPUT WATTS	OUTPUT POWER WATTS MAX	OUTPUT VOLTAGE	OUTPUT CURRENT AMPS	MODEL
120V-277V	1.45A - 0.64A	137	120	30 to 50V	2.4A	<b>NU2400C120WSD</b>

### LIMITED WARRANTY

5 YEAR at maximum case temperature 75 deg C. 3 YEAR at maximum case temperature 90 deg C. Manufacturer warrants to the purchaser: Product will be free from defects in material or workmanship from the date of manufacture conditioned upon proper storage, installation, use, and maintenance and conformance with any recommendations of Manufacturer



### Lead Length

Colour	inc	cm
Black	6	15.2
White	6	15.2
Blue	6	15.2
Red	6	15.2
Pink	7.1	18
Purple	7.1	18

### 0-10V Dimmer Compatibility Chart

LUTRON	LEVITON
NFTV	DS710-10Z
DVTV-WH	

### Case Size Series FS4

L	W	H	ML
241	61	40	226mm
9.5	2.4	1.57	8.9inch

**WARNING:** Always Disconnect Power Before Handling. Case Should be Grounded. Install in Accordance with National and Local Electrical Codes

# LED DRIVER 50W 0-10V Dimming

Output Range 12V to 20V Constant Current **2500mA** Max **50W**

Universal Voltage 120-277V Electronic Constant Current LED Driver 0-10V Dimming. Output Range of 12V to 20V for Single circuit 50W maximum.

## Technical Specification:

Class 2 UL, CUL Recognized, ROHS Compliant

EMI FCC Part 15, Class A

Rating: IP 65 Damp, Dry

Output Open/Short Protection

Min. Starting Temp: - 40° C

Max. Case Temp: 90° C

Typical Efficiency: 84%

Input Voltage range:  $\pm 10\%$

Output Load range:  $\pm 5\%$

Input Frequency: 50/60HZ

THD: < 20%

Power Factor Min: 0.90

Remote Wiring Distance Full Load: 18AWG -18 ft

Case Size: Series MU2

Due to continuing efforts to offer improved products all specifications are subject to change without prior notice

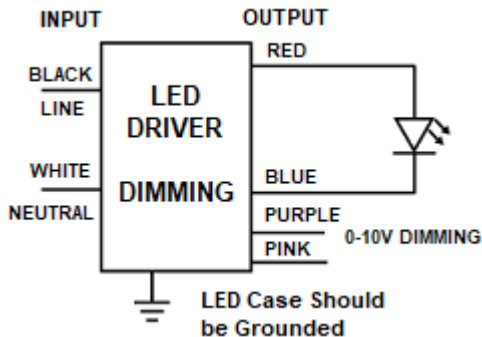
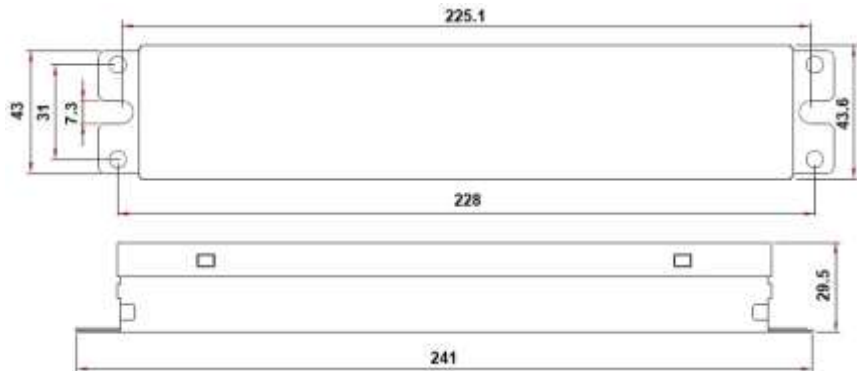
INPUT VOLTAGE	INPUT CURRENT	INPUT WATTS	OUTPUT POWER WATTS MAX	OUTPUT VOLTAGE	OUTPUT CURRENT AMPS	MODEL
120	0.6A	63	50	12 to 20V	2.5A	NU2500C50WSD
277	0.27A					

### LIMITED WARRANTY

5 YEAR at maximum case temperature 75 deg C. 3 YEAR at maximum case temperature 90 deg C. Manufacturer warrants to the purchaser: Product will be free from defects in material or workmanship from the date of manufacture conditioned upon proper storage, installation, use, and maintenance and conformance with any recommendations of Manufacturer

### Lead Length

Colour	inc	cm
Black	6	15.2
White	6	15.2
Blue	6	15.2
Red	6	15.2
Pink	7.1	18
Purple	7.1	18



### 0-10V Dimmer Compatibility Chart

LUTRON	LEVITON
NFTV	DS710-10Z
DVTV-WH	

### Case Size Series MU2

L	W	H	ML
241	43	29.5	226mm
9.5	1.7	1.2	8.9 inch

**WARNING:** Always Disconnect Power Before Handling. Case Should be Grounded. Install in Accordance with National and Local Electrical Codes

901 - 3rd Street West, North Vancouver, BC V7P 3P9 Canada

TEL: 604-904-9533

www.sagedrivers.com www.sagelighting.com

*Sage  
Lighting Ltd.*

# LED DRIVER 60W 0-10V Dimming

Output Range 16V to 24V Constant Current **2500mA** Max **60W**

Universal Voltage 120-277V Electronic Constant Current LED Driver 0-10V Dimming. Output Range of 16V to 24V for Single circuit 60W maximum.

## Technical Specification:

Class 2 UL, CUL Recognized, ROHS Compliant

EMI FCC Part 15, Class A

Rating: IP 65 Damp, Dry

Output Open/Short Protection

Min. Starting Temp: - 40° C

Max. Case Temp: 90° C

Typical Efficiency: 87%

Input Voltage range:  $\pm 10\%$

Output Load range:  $\pm 5\%$

Input Frequency: 50/60HZ

THD: < 20%

Power Factor Min: 0.90

Remote Wiring Distance Full Load: 18AWG -18 ft

Case Size: Series MU2

Due to continuing efforts to offer improved products all specifications are subject to change without prior notice

3/01/15

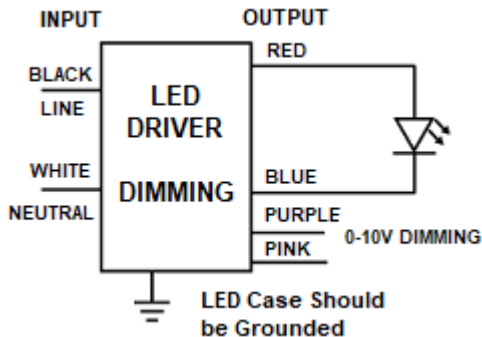
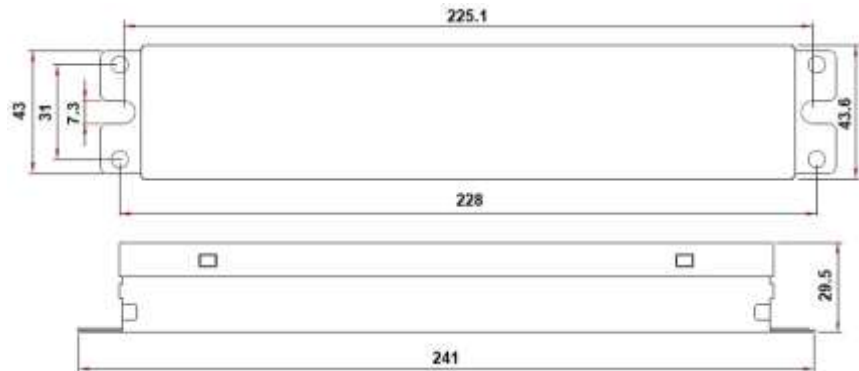
INPUT VOLTAGE	INPUT CURRENT	INPUT WATTS	OUTPUT POWER WATTS MAX	OUTPUT VOLTAGE	OUTPUT CURRENT AMPS	MODEL
120	0.6A	69	60	16 to 24V	2.5A	NU2500C60WSD
277	0.26A					

### LIMITED WARRANTY

5 YEAR at maximum case temperature 75 deg C. 3 YEAR at maximum case temperature 90 deg C. Manufacturer warrants to the purchaser: Product will be free from defects in material or workmanship from the date of manufacture conditioned upon proper storage, installation, use, and maintenance and conformance with any recommendations of Manufacturer

### Lead Length

Colour	inc	cm
Black	6	15.2
White	6	15.2
Blue	6	15.2
Red	6	15.2
Pink	7.1	18
Purple	7.1	18



### 0-10V Dimmer Compatibility Chart

LUTRON	LEVITON
NFTV	DS710-10Z
DVTV-WH	

### Case Size Series MU2

L	W	H	ML
241	43	29.5	226mm
9.5	1.7	1.2	8.9 inch

**WARNING:** Always Disconnect Power Before Handling. Case Should be Grounded. Install in Accordance with National and Local Electrical Codes

901 - 3rd Street West, North Vancouver, BC V7P 3P9 Canada

TEL: 604-904-9533

www.sagedrivers.com www.sagelighting.com

*Sage Lighting Ltd.*

# LED DRIVER 200W 0-10V Dimming

Output Range 48V to 80V Constant Current **2500mA** Max **200W**

Universal Voltage 120-277V Electronic Constant Current LED Driver 0-10V Dimming. Output Range of 48V to 80V for Single circuit 200W maximum.

## Technical Specification:

UL, CUL Recognized, ROHS Compliant

EMI FCC Part 15, Class A

Rating: IP 65 Damp, Dry

Output Open/Short Protection

Min. Starting Temp: - 40° C

Max. Case Temp: 90° C

Typical Efficiency: 89%

Input Voltage range:  $\pm 10\%$

Output Load range  $\pm 5\%$

Input Frequency: 50/60HZ

THD: < 20%

Power Factor Min: 0.90

Remote Wiring Distance Full Load: 18AWG -18 ft

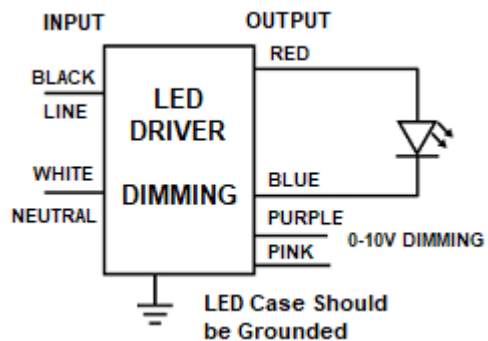
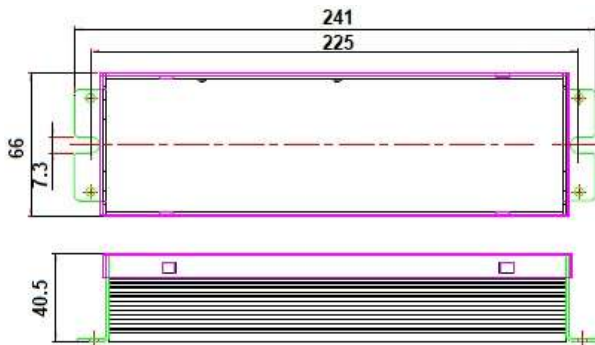
Case Size: Series FS5

Due to continuing efforts to offer improved products all specifications are subject to change without prior notice

INPUT VOLTAGE	INPUT CURRENT AMPS	INPUT POWER WATTS	OUTPUT POWER WATTS	OUTPUT VOLTAGE	OUTPUT CURRENT AMPS	MODEL
120	1.78A	225	200	48 to 80V	2.5A	NU2500C200WSD
277	0.78					

### LIMITED WARRANTY

5 YEAR at maximum case temperature 75 deg C. 3 YEAR at maximum case temperature 90 deg C. Manufacturer warrants to the purchaser: Product will be free from defects in material or workmanship from the date of manufacture conditioned upon proper storage, installation, use, and maintenance and conformance with any recommendations of Manufacturer



### Lead Length

Colour	inc	cm
Black	6	15.2
White	6	15.2
Blue	6	15.2
Red	6	15.2
Pink	7.1	18
Purple	7.1	18

### 0-10V Dimmer Compatibility Chart

LUTRON	LEVITON
NFTV	DS710-10Z
DVTV-WH	

### Case Size Series FS5

L	W	H	ML
241	66	40.5	226mm
9.5	2.6	1.6	8.9inch

**WARNING:** Always Disconnect Power Before Handling. Case Should be Grounded. Install in Accordance with National and Local Electrical Codes

901 - 3rd Street West, North Vancouver, BC V7P 3P9 Canada

TEL: 604-904-9533

www.sagedrivers.com www.sagelighting.com

*Sage  
Lighting Ltd.*



# LED DRIVER 98W 0-10V Dimming

Output Range 22V to 38V Constant Current **2600mA** Max **98W**

Universal Voltage 120-277V Electronic Constant Current LED Driver 0-10V Dimming. Output Range of 22V to 38V for Single circuit 98W maximum.

## Technical Specification:

Class 2 UL, CUL Recognized, ROHS Compliant

EMI FCC Part 15, Class A

Rating: IP 65 Damp, Dry

Output Open/Short Protection

Min. Starting Temp: -40° C

Max. Case Temp: 90° C

Typical Efficiency: 88%

Input Voltage range:  $\pm 10\%$

Output Load range  $\pm 5\%$

Input Frequency: 50/60HZ

THD: < 20%

Power Factor Min: 0.90

Remote Wiring Distance Full Load: 18AWG -18 ft

Case Size: Series MU2

Due to continuing efforts to offer improved products all specifications are subject to change without prior notice

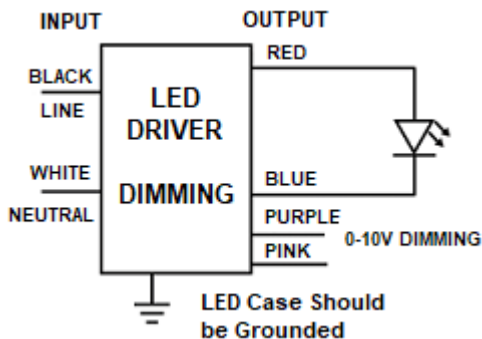
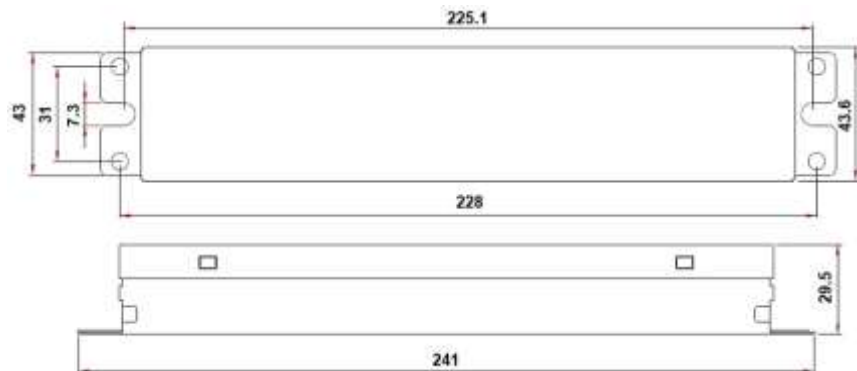
INPUT VOLTAGE	INPUT CURRENT AMPS	INPUT POWER WATTS	OUTPUT POWER WATTS	OUTPUT VOLTAGE	OUTPUT CURRENT AMPS	MODEL
120	1.46A	111	98	22 to 38V	2.6A	NU2600C98WSD
277	0.64A					

### LIMITED WARRANTY

5 YEAR at maximum case temperature 75 deg C. 3 YEAR at maximum case temperature 90 deg C. Manufacturer warrants to the purchaser: Product will be free from defects in material or workmanship from the date of manufacture conditioned upon proper storage, installation, use, and maintenance and conformance with any recommendations of Manufacturer

### Lead Length

Colour	inc	cm
Black	6	15.2
White	6	15.2
Blue	6	15.2
Red	6	15.2
Pink	7.1	18
Purple	7.1	18



### 0-10V Dimmer Compatibility Chart

LUTRON	LEVITON
NFTV	DS710-10Z
DVTV-WH	

### Case Size Series MU2

L	W	H	ML
241	43	29.5	226mm
9.5	1.7	1.2	8.9 inch

**WARNING:** Always Disconnect Power Before Handling. Case Should be Grounded. Install in Accordance with National and Local Electrical Codes

901 - 3rd Street West, North Vancouver, BC V7P 3P9 Canada

TEL: 604-904-9533

www.sagedrivers.com www.sagelighting.com

*Sage  
Lighting Ltd.*

# LED DRIVER 67W 0-10V Dimming

Output Range 14V to 24V Constant Current **2800A** Max **67W**

Universal Voltage 120-277V Electronic Constant Current LED Driver 0-10V Dimming. Output Range of 14V to 24V for Single circuit 67W maximum.

## Technical Specification:

Class 2 UL, CUL Recognized, ROHS Compliant

EMI FCC Part 15, Class A

Rating: IP 65 Damp, Dry

Output Open/Short Protection

Min. Starting Temp: -40° C

Max. Case Temp: 90° C

Typical Efficiency: 83%

Input Voltage range:  $\pm 10\%$

Output Load range  $\pm 5\%$

Input Frequency: 50/60HZ

THD: < 20%

Power Factor Min: 0.90

Remote Wiring Distance Full Load: 18AWG -18 ft

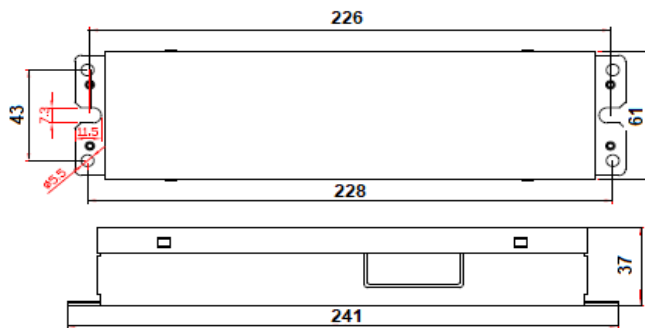
Case Size: Series FS3

Due to continuing efforts to offer improved products all specifications are subject to change without prior notice

INPUT VOLTAGE	INPUT CURRENT	INPUT WATTS	OUTPUT POWER WATTS MAX	OUTPUT VOLTAGE	OUTPUT CURRENT AMPS	MODEL
120V-277V	0.68A - 0.30A	81	67	14 to 24V	2.8A	<b>NU2800C67WSD</b>

### LIMITED WARRANTY

5 YEAR at maximum case temperature 75 deg C. 3 YEAR at maximum case temperature 90 deg C. Manufacturer warrants to the purchaser: Product will be free from defects in material or workmanship from the date of manufacture conditioned upon proper storage, installation, use, and maintenance and conformance with any recommendations of Manufacturer



### Lead Length

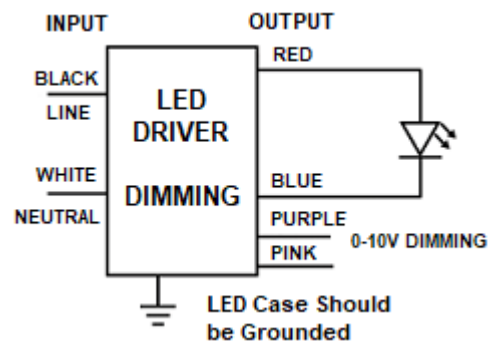
Colour	inc	cm
Black	6	15.2
White	6	15.2
Blue	6	15.2
Red	6	15.2
Pink	7.1	18
Purple	7.1	18

### 0-10V Dimmer Compatibility Chart

LUTRON	LEVITON
NFTV	DS710-10Z
DVTV-WH	

### Case Size Series FS3

L	W	H	ML
241	61	37	226mm
9.5	2.4	1.46	8.9inch



**WARNING:** Always Disconnect Power Before Handling. Case Should be Grounded. Install in Accordance with National and Local Electrical Codes

901 - 3rd Street West, North Vancouver, BC V7P 3P9 Canada

TEL: 604-904-9533

www.sagedrivers.com www.sagelighting.com

*Sage  
Lighting Ltd.*

# LED DRIVER 96W 0-10V Dimming

Output Range 22V to 34V Constant Current **2800mA** Max **96W**

Universal Voltage 120-277V Electronic Constant Current LED Driver 0-10V Dimming. Output Range of 22V to 34V for Single circuit 96W maximum.

## Technical Specification:

UL, CUL Recognized, ROHS Compliant

EMI FCC Part 15, Class A

Rating: IP 65 Damp, Dry

Output Open/Short Protection

Min. Starting Temp: - 40° C

Max. Case Temp: 90° C

Typical Efficiency: 88%

Input Voltage range:  $\pm 10\%$

Output Load range  $\pm 5\%$

Input Frequency: 50/60HZ

THD: < 20%

Power Factor Min: 0.90

Remote Wiring Distance Full Load: 18AWG -18 ft

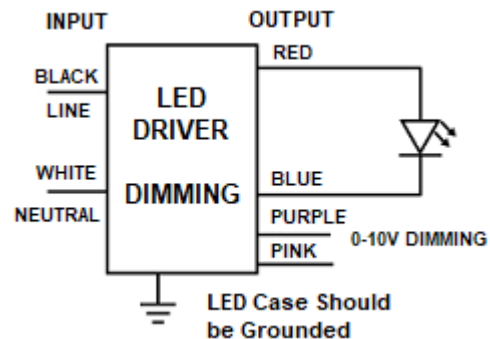
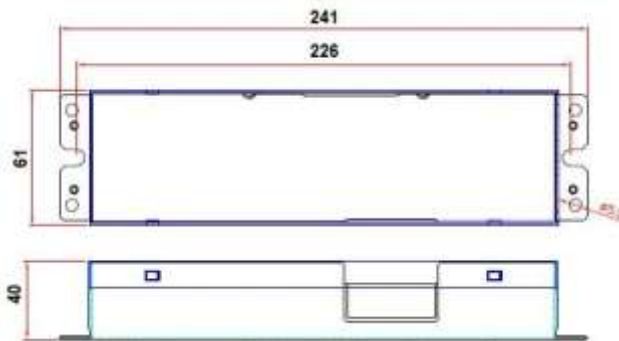
Case Size: Series FS4

Due to continuing efforts to offer improved products all specifications are subject to change without prior notice

INPUT VOLTAGE	INPUT CURRENT	INPUT WATTS	OUTPUT POWER WATTS MAX	OUTPUT VOLTAGE	OUTPUT CURRENT AMPS	MODEL
120V-277V	1.45A - 0.64A	110	96	32 to 54V	2.8A	<b>NU2800C96WSD</b>

### LIMITED WARRANTY

5 YEAR at maximum case temperature 75 deg C. 3 YEAR at maximum case temperature 90 deg C. Manufacturer warrants to the purchaser: Product will be free from defects in material or workmanship from the date of manufacture conditioned upon proper storage, installation, use, and maintenance and conformance with any recommendations of Manufacturer



### Lead Length

Colour	inc	cm
Black	6	15.2
White	6	15.2
Blue	6	15.2
Red	6	15.2
Pink	7.1	18
Purple	7.1	18

### 0-10V Dimmer Compatibility Chart

LUTRON	LEVITON
NFTV	DS710-10Z
DVTV-WH	

### Case Size Series FS4

L	W	H	ML
241	61	40	226mm
9.5	2.4	1.57	8.9inch

**WARNING:** Always Disconnect Power Before Handling. Case Should be Grounded. Install in Accordance with National and Local Electrical Codes

901 - 3rd Street West, North Vancouver, BC V7P 3P9 Canada

TEL: 604-904-9533

www.sagedrivers.com www.sagelighting.com

*Sage  
Lighting Ltd.*

# LED DRIVER 120W 0-10V Dimming

Output Range 25V to 43V Constant Current **2800mA** Max **120W**

Universal Voltage 120-277V Electronic Constant Current 2.8A LED Driver 0-10V Dimming. Output Range of 25V to 43V for Single circuit 120W maximum.

## Technical Specification:

UL, CUL Recognized, ROHS Compliant

EMI FCC Part 15, Class A

Rating: IP 65 Damp, Dry

Output Open/Short Protection

Min. Starting Temp: -40° C

Max. Case Temp: 90° C

Typical Efficiency: 88%

Input Voltage range:  $\pm 10\%$

Output Load range  $\pm 5\%$

Input Frequency: 50/60HZ

THD: < 20%

Power Factor Min: 0.90

Remote Wiring Distance Full Load: 18AWG -18 ft

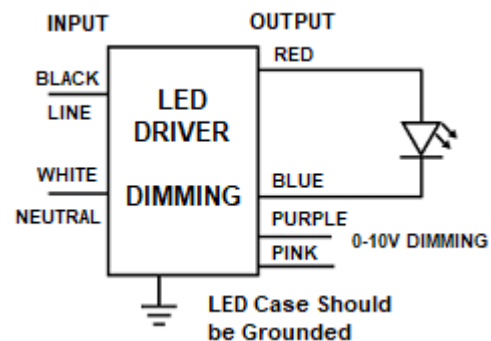
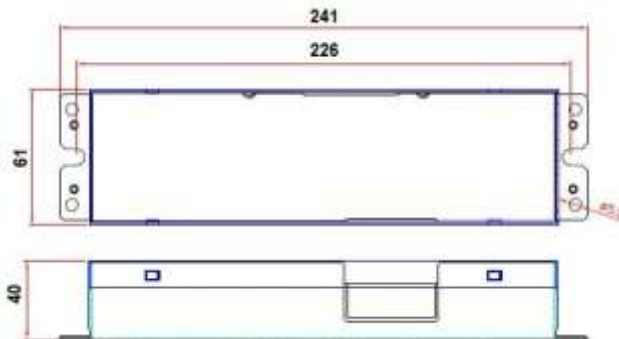
Case Size: Series FS4

Due to continuing efforts to offer improved products all specifications are subject to change without prior notice

INPUT VOLTAGE	INPUT CURRENT	INPUT WATTS	OUTPUT POWER WATTS MAX	OUTPUT VOLTAGE	OUTPUT CURRENT AMPS	MODEL
120V-277V	1.45A - 0.64A	136	120	25 to 43V	2.8A	NU2800C120WSD

### LIMITED WARRANTY

5 YEAR at maximum case temperature 75 deg C. 3 YEAR at maximum case temperature 90 deg C. Manufacturer warrants to the purchaser: Product will be free from defects in material or workmanship from the date of manufacture conditioned upon proper storage, installation, use, and maintenance and conformance with any recommendations of Manufacturer



### Lead Length

Colour	inc	cm
Black	6	15.2
White	6	15.2
Blue	6	15.2
Red	6	15.2
Pink	7.1	18
Purple	7.1	18

### 0-10V Dimmer Compatibility Chart

LUTRON	LEVITON
NFTV	DS710-10Z
DVTV-WH	

### Case Size Series FS4

L	W	H	ML
241	61	40	226mm
9.5	2.4	1.57	8.9inch

**WARNING:** Always Disconnect Power Before Handling. Case Should be Grounded. Install in Accordance with National and Local Electrical Codes

# LED DRIVER 150W 0-10V Dimming

Output Range 32V to 54V Constant Current **2800mA** Max **150W**

Universal Voltage 120-277V Electronic Constant Current LED Driver 0-10V Dimming. Output Range of 32V to 54V for Single circuit 150W maximum.

## Technical Specification:

UL, CUL Recognized, ROHS Compliant  
 EMI FCC Part 15, Class A  
 Rating: IP 65 Damp, Dry  
 Output Open/Short Protection  
 Min. Starting Temp: - 40° C  
 Max. Case Temp: 90° C  
 Typical Efficiency: 88%

Input Voltage range:  $\pm 10\%$   
 Output Load range  $\pm 5\%$   
 Input Frequency: 50/60HZ  
 THD: < 20%  
 Power Factor Min: 0.90  
 Remote Wiring Distance Full Load: 18AWG -18 ft

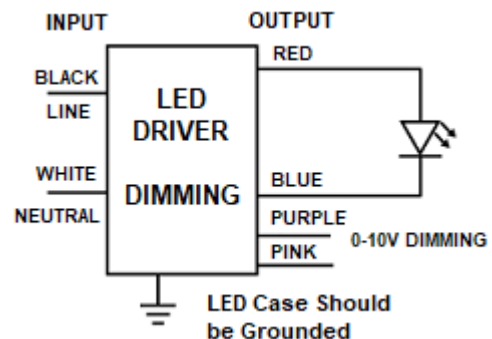
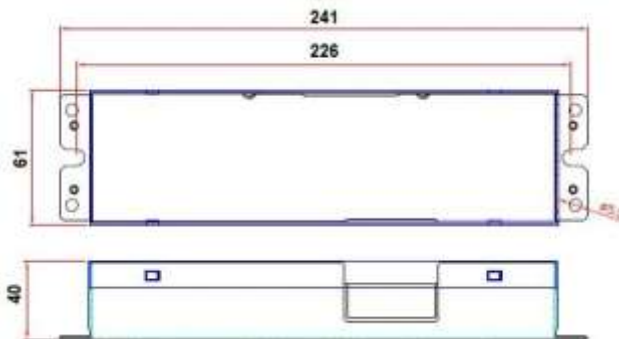
Case Size: Series FS4

Due to continuing efforts to offer improved products all specifications are subject to change without prior notice

INPUT VOLTAGE	INPUT CURRENT	INPUT WATTS	OUTPUT POWER WATTS MAX	OUTPUT VOLTAGE	OUTPUT CURRENT AMPS	MODEL
120V-277V	1.45A - 0.64A	170	150	32 to 54V	2.8A	<b>NU2800C150WSD</b>

### LIMITED WARRANTY

5 YEAR at maximum case temperature 75 deg C. 3 YEAR at maximum case temperature 90 deg C. Manufacturer warrants to the purchaser: Product will be free from defects in material or workmanship from the date of manufacture conditioned upon proper storage, installation, use, and maintenance and conformance with any recommendations of Manufacturer



### Lead Length

Colour	inc	cm
Black	6	15.2
White	6	15.2
Blue	6	15.2
Red	6	15.2
Pink	7.1	18
Purple	7.1	18

### 0-10V Dimmer Compatibility Chart

LUTRON	LEVITON
NFTV	DS710-10Z
DVTV-WH	

### Case Size Series FS4

L	W	H	ML
241	61	40	226mm
9.5	2.4	1.57	8.9inch

**WARNING:** Always Disconnect Power Before Handling. Case Should be Grounded. Install in Accordance with National and Local Electrical Codes

# LED DRIVER 200W 0-10V Dimming

Output Range 43V to 71V Constant Current **2800mA** Max **200W**

Universal Voltage 120-277V Electronic Constant Current LED Driver 0-10V Dimming. Output Range of 43V to 71V for Single circuit 200W maximum.

## Technical Specification:

UL, CUL Recognized, ROHS Compliant

EMI FCC Part 15, Class A

Rating: IP 65 Damp, Dry

Output Open/Short Protection

Min. Starting Temp: -40° C

Max. Case Temp: 90° C

Typical Efficiency: 89%

Input Voltage range:  $\pm 10\%$

Output Load range  $\pm 5\%$

Input Frequency: 50/60HZ

THD: < 20%

Power Factor Min: 0.90

Remote Wiring Distance Full Load: 18AWG -18 ft

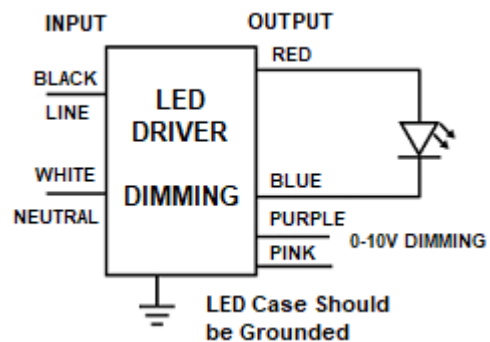
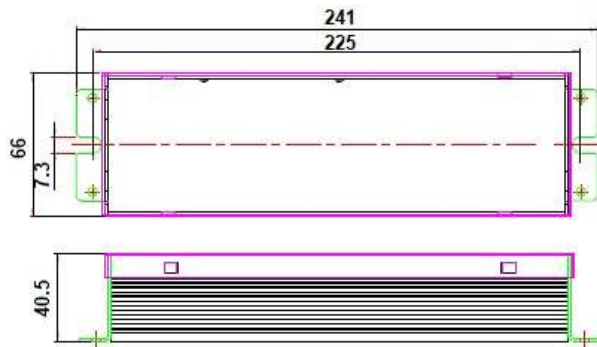
Case Size: Series FS5

Due to continuing efforts to offer improved products all specifications are subject to change without prior notice

INPUT VOLTAGE	INPUT CURRENT AMPS	INPUT POWER WATTS	OUTPUT POWER WATTS	OUTPUT VOLTAGE	OUTPUT CURRENT AMPS	MODEL
120	1.78A	225	200	43 to 71V	2.8A	NU2800C200WSD
277	0.78					

### LIMITED WARRANTY

5 YEAR at maximum case temperature 75 deg C. 3 YEAR at maximum case temperature 90 deg C. Manufacturer warrants to the purchaser: Product will be free from defects in material or workmanship from the date of manufacture conditioned upon proper storage, installation, use, and maintenance and conformance with any recommendations of Manufacturer



### Lead Length

Colour	inc	cm
Black	6	15.2
White	6	15.2
Blue	6	15.2
Red	6	15.2
Pink	7.1	18
Purple	7.1	18

### 0-10V Dimmer Compatibility Chart

LUTRON	LEVITON
NFTV	DS710-10Z
DVTV-WH	

### Case Size Series FS5

L	W	H	ML
241	66	40.5	226mm
9.5	2.6	1.6	8.9inch

**WARNING:** Always Disconnect Power Before Handling. Case Should be Grounded. Install in Accordance with National and Local Electrical Codes

901 - 3rd Street West, North Vancouver, BC V7P 3P9 Canada

TEL: 604-904-9533

www.sagedrivers.com www.sagelighting.com

*Sage  
Lighting Ltd.*

# LED DRIVER 72W 0-10V Dimming

Output Range 15V to 24V Constant Current **3000mA** Max **72W**

Universal Voltage 120-277V Electronic Constant Current LED Driver 0-10V Dimming. Output Range of 15V to 24V for Single Output circuit 72W maximum.

## Technical Specification:

Class 2 UL, CUL Recognized, ROHS Compliant  
 EMI FCC Part 15, Class A  
 Rating: IP 65 Damp, Dry  
 Output Open/Short Protection  
 Min. Starting Temp: - 40° C  
 Max. Case Temp: 90° C  
 Typical Efficiency: 87%

Input Voltage range:  $\pm 10\%$   
 Output Load range:  $\pm 5\%$   
 Input Frequency: 50/60HZ  
 THD: < 20%  
 Power Factor Min: 0.90  
 Remote Wiring Distance Full Load: 18AWG -18 ft

Case Size: Series FS3

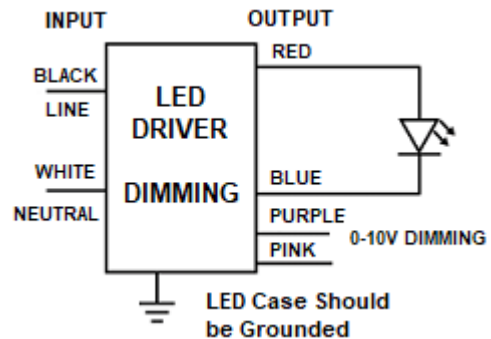
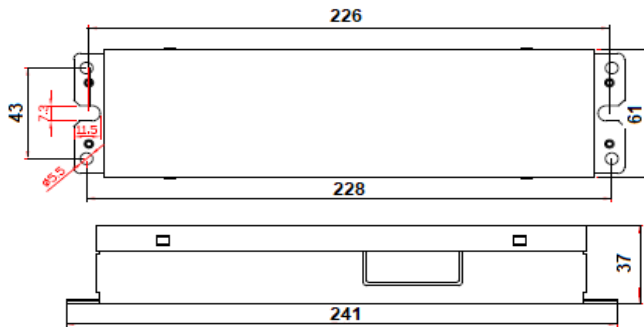
Due to continuing efforts to offer improved products all specifications are subject to change without prior notice

2/4/21

INPUT VOLTAGE	OUTPUT POWER WATTS MAX	INPUT CURRENT	INPUT WATTS	OUTPUT VOLTAGE	OUTPUT CURRENT AMPS	MODEL
120	72	0.68A	87	15 to 24V	3A	NU3000C72WSD
277		0.3A				

### LIMITED WARRANTY

5 YEAR at maximum case temperature 75 deg C. 3 YEAR at maximum case temperature 90 deg C. Manufacturer warrants to the purchaser: Product will be free from defects in material or workmanship from the date of manufacture conditioned upon proper storage, installation, use, and maintenance and conformance with any recommendations of Manufacturer



### Lead Length

Colour	inc	cm
Black	6	15.2
White	6	15.2
Blue	6	15.2
Red	6	15.2
Pink	7.1	18
Purple	7.1	18

### 0-10V Dimmer Compatibility Chart

LUTRON	LEVITON
NFTV	DS710-10Z
DVTV-WH	

### Case Size Series FS3

L	W	H	ML
241	61	37	226mm
9.5	2.4	1.46	8.9inch

**WARNING:** Always Disconnect Power Before Handling. Case Should be Grounded. Install in Accordance with National and Local Electrical Codes

# LED DRIVER 200W 0-10V Dimming

Output Range 40V to 66V Constant Current **3000mA** Max **200W**

Universal Voltage 120-277V Electronic Constant Current LED Driver 0-10V Dimming. Output Range of 40V to 66V for Single circuit 200W maximum.

## Technical Specification:

UL, CUL Recognized, ROHS Compliant  
 EMI FCC Part 15, Class A  
 Rating: IP 65 Damp, Dry  
 Output Open/Short Protection  
 Min. Starting Temp: -40° C  
 Max. Case Temp: 90° C  
 Typical Efficiency: 89%

Input Voltage range:  $\pm 10\%$   
 Output Load range  $\pm 5\%$   
 Input Frequency: 50/60HZ  
 THD: < 20%  
 Power Factor Min: 0.90  
 Remote Wiring Distance Full Load: 18AWG -18 ft

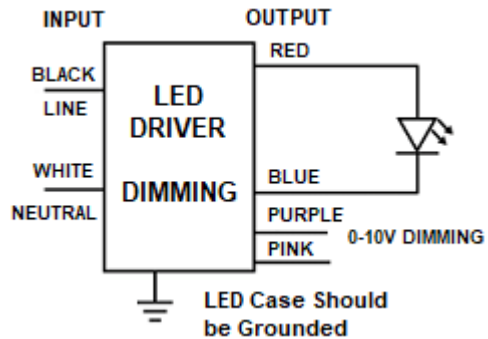
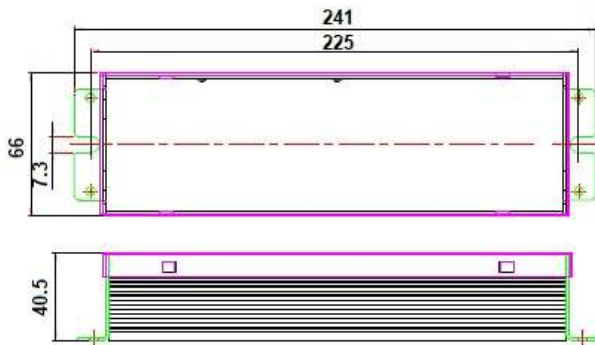
Case Size: Series FS5

Due to continuing efforts to offer improved products all specifications are subject to change without prior notice

INPUT VOLTAGE	INPUT CURRENT AMPS	INPUT POWER WATTS	OUTPUT POWER WATTS	OUTPUT VOLTAGE	OUTPUT CURRENT AMPS	MODEL
120	1.78A	225	200	40 to 66V	3A	NU3000C200WSD
277	0.78					

### LIMITED WARRANTY

5 YEAR at maximum case temperature 75 deg C. 3 YEAR at maximum case temperature 90 deg C. Manufacturer warrants to the purchaser: Product will be free from defects in material or workmanship from the date of manufacture conditioned upon proper storage, installation, use, and maintenance and conformance with any recommendations of Manufacturer



### Lead Length

Colour	inc	cm
Black	6	15.2
White	6	15.2
Blue	6	15.2
Red	6	15.2
Pink	7.1	18
Purple	7.1	18

### 0-10V Dimmer Compatibility Chart

LUTRON	LEVITON
NFTV	DS710-10Z
DVTV-WH	

### Case Size Series FS5

L	W	H	ML
241	66	40.5	226mm
9.5	2.6	1.6	8.9inch

**WARNING:** Always Disconnect Power Before Handling. Case Should be Grounded. Install in Accordance with National and Local Electrical Codes



# LED DRIVER 150W 0-10V Dimming

Output Range 29V to 48V Constant Current **3150mA** Max **150W**

Universal Voltage 120-277V Electronic Constant Current LED Driver 0-10V Dimming. Output Range of 29V to 48V for Single circuit 150W maximum.

## Technical Specification:

UL, CUL Recognized, ROHS Compliant

EMI FCC Part 15, Class A

Rating: IP 65 Damp, Dry

Output Open/Short Protection

Min. Starting Temp: - 40° C

Max. Case Temp: 90° C

Typical Efficiency: 88%

Input Voltage range:  $\pm 10\%$

Output Load range  $\pm 5\%$

Input Frequency: 50/60HZ

THD: < 20%

Power Factor Min: 0.90

Remote Wiring Distance Full Load: 18AWG -18 ft

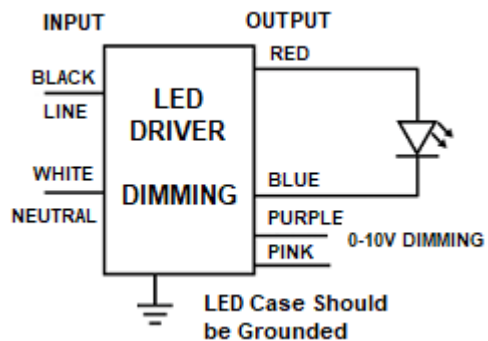
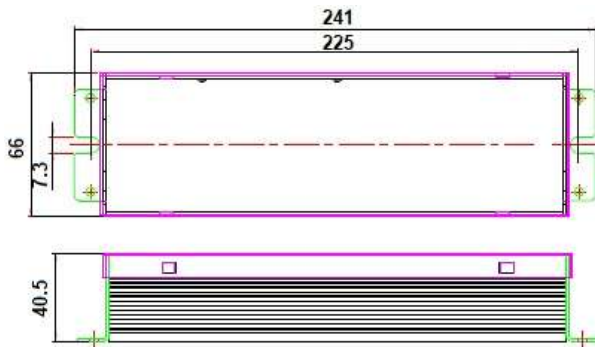
**Case Size: Series FS5**

Due to continuing efforts to offer improved products all specifications are subject to change without prior notice

INPUT VOLTAGE	INPUT CURRENT AMPS	INPUT POWER WATTS	OUTPUT POWER WATTS	OUTPUT VOLTAGE	OUTPUT CURRENT AMPS	MODEL
120	1.78A	170	150	29 to 48V	3.15A	<b>NU3150C150WSD</b>
277	0.78					

### LIMITED WARRANTY

5 YEAR at maximum case temperature 75 deg C. 3 YEAR at maximum case temperature 90 deg C. Manufacturer warrants to the purchaser: Product will be free from defects in material or workmanship from the date of manufacture conditioned upon proper storage, installation, use, and maintenance and conformance with any recommendations of Manufacturer



### Lead Length

Colour	inc	cm
Black	6	15.2
White	6	15.2
Blue	6	15.2
Red	6	15.2
Pink	7.1	18
Purple	7.1	18

### 0-10V Dimmer Compatibility Chart

LUTRON	LEVITON
NFTV	DS710-10Z
DVTV-WH	

### Case Size Series FS5

L	W	H	ML
241	66	40.5	226mm
9.5	2.6	1.6	8.9inch

**WARNING:** Always Disconnect Power Before Handling. Case Should be Grounded. Install in Accordance with National and Local Electrical Codes

901 - 3rd Street West, North Vancouver, BC V7P 3P9 Canada

TEL: 604-904-9533

www.sagedrivers.com www.sagelighting.com

*Sage  
Lighting Ltd.*

# LED DRIVER 75W 0-10V Dimming

Output Range 14V to 23V Constant Current **3260mA** Max **75W**

Universal Voltage 120-277V Electronic Constant Current LED Driver 0-10V Dimming. Output Range of 14V to 23V for Single Output circuit 75W maximum.

## Technical Specification:

UL, CUL Recognized, ROHS Compliant  
 EMI FCC Part 15, Class A  
 Rating: IP 65 Damp, Dry  
 Output Open/Short Protection  
 Min. Starting Temp: - 40° C  
 Max. Case Temp: 90° C  
 Typical Efficiency: 87%

Input Voltage range:  $\pm 10\%$   
 Output Load range:  $\pm 5\%$   
 Input Frequency: 50/60HZ  
 THD: < 20%  
 Power Factor Min: 0.90  
 Remote Wiring Distance Full Load: 18AWG -18 ft

Case Size: Series MU2

Due to continuing efforts to offer improved products all specifications are subject to change without prior notice

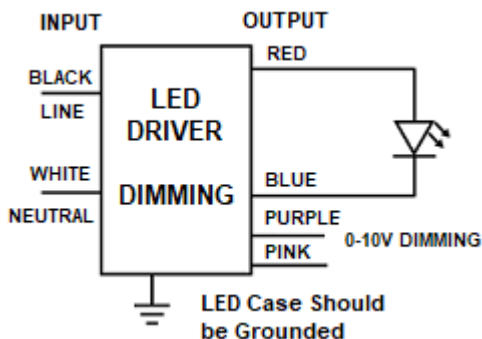
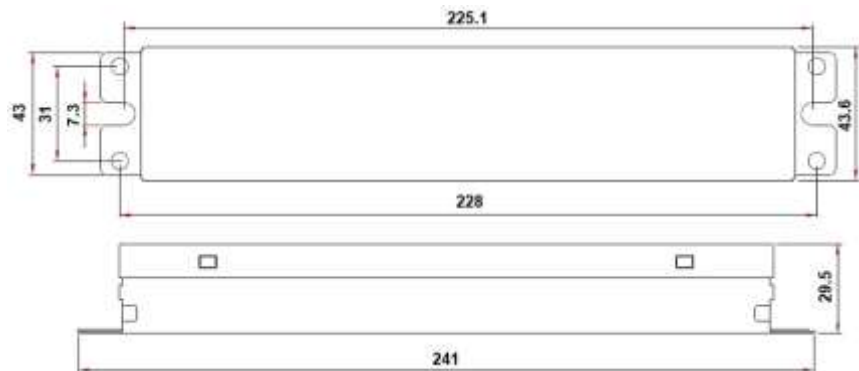
INPUT VOLTAGE	INPUT CURRENT	INPUT WATTS	OUTPUT POWER WATTS MAX	OUTPUT VOLTAGE	OUTPUT CURRENT AMPS	MODEL
120	1.45A	86	75	14 to 23V	3.26A	NU3260C75WSD
277	0.64A					

### LIMITED WARRANTY

5 YEAR at maximum case temperature 75 deg C. 3 YEAR at maximum case temperature 90 deg C. Manufacturer warrants to the purchaser: Product will be free from defects in material or workmanship from the date of manufacture conditioned upon proper storage, installation, use, and maintenance and conformance with any recommendations of Manufacturer

### Lead Length

Colour	inc	cm
Black	6	15.2
White	6	15.2
Blue	6	15.2
Red	6	15.2
Pink	7.1	18
Purple	7.1	18



### 0-10V Dimmer Compatibility Chart

LUTRON	LEVITON
NFTV	DS710-10Z
DVTV-WH	

### Case Size Series MU2

L	W	H	ML
241	43	29.5	226mm
9.5	1.7	1.2	8.9 inch

**WARNING:** Always Disconnect Power Before Handling. Case Should be Grounded. Install in Accordance with National and Local Electrical Codes

# LED DRIVER 120W 0-10V Dimming

Output Range 27V to 45V Constant Current **3300A** Max **150W**

Universal Voltage 120-277V Electronic Constant Current LED Driver 0-10V Dimming. Output Range of 27V to 45V for Single circuit 150W maximum.

## Technical Specification:

UL, CUL Recognized, ROHS Compliant  
 EMI FCC Part 15, Class A  
 Rating: IP 65 Damp, Dry  
 Output Open/Short Protection  
 Min. Starting Temp: - 40° C  
 Max. Case Temp: 90° C  
 Typical Efficiency: 88%

Input Voltage range:  $\pm 10\%$   
 Output Load range  $\pm 5\%$   
 Input Frequency: 50/60HZ  
 THD: < 20%  
 Power Factor Min: 0.90  
 Remote Wiring Distance Full Load: 18AWG -18 ft

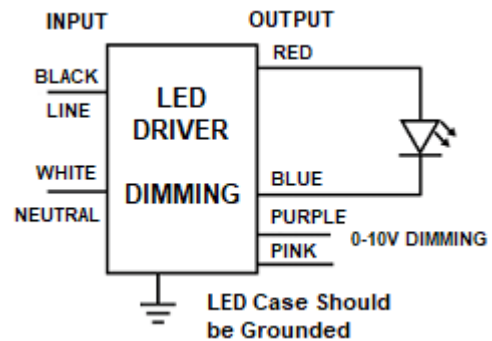
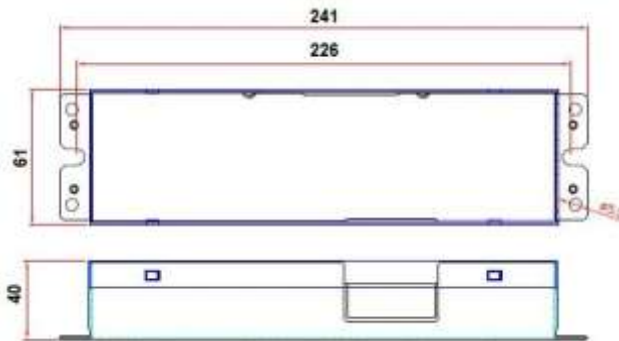
Case Size: Series FS4

Due to continuing efforts to offer improved products all specifications are subject to change without prior notice

INPUT VOLTAGE	INPUT CURRENT AMPS	INPUT POWER WATTS	OUTPUT POWER WATTS	OUTPUT VOLTAGE	OUTPUT CURRENT AMPS	MODEL
120	1.45A	170	150	27 to 45V	3.3A	NU3300C150WSD
277	0.64					

### LIMITED WARRANTY

5 YEAR at maximum case temperature 75 deg C. 3 YEAR at maximum case temperature 90 deg C. Manufacturer warrants to the purchaser: Product will be free from defects in material or workmanship from the date of manufacture conditioned upon proper storage, installation, use, and maintenance and conformance with any recommendations of Manufacturer



### Lead Length

Colour	inc	cm
Black	6	15.2
White	6	15.2
Blue	6	15.2
Red	6	15.2
Pink	7.1	18
Purple	7.1	18

### 0-10V Dimmer Compatibility Chart

LUTRON	LEVITON
NFTV	DS710-10Z
DVTV-WH	

### Case Size Series FS4

L	W	H	ML
241	61	40	226mm
9.5	2.4	1.57	8.9inch

**WARNING:** Always Disconnect Power Before Handling. Case Should be Grounded. Install in Accordance with National and Local Electrical Codes

# LED DRIVER 120W 0-10V Dimming

Output Range 21V to 34V Constant Current **3500mA** Max **120W**

Universal Voltage 120-277V Electronic Constant Current LED Driver 0-10V Dimming. Output Range of 21V to 34V for Single circuit 120W maximum.

## Technical Specification:

UL, CUL Recognized, ROHS Compliant  
 EMI FCC Part 15, Class A  
 Rating: IP 65 Damp, Dry  
 Output Open/Short Protection  
 Min. Starting Temp: - 40° C  
 Max. Case Temp: 90° C  
 Typical Efficiency: 89%

Input Voltage range:  $\pm 10\%$   
 Output Load range  $\pm 5\%$   
 Input Frequency: 50/60HZ  
 THD: < 20%  
 Power Factor Min: 0.90  
 Remote Wiring Distance Full Load: 18AWG -18 ft

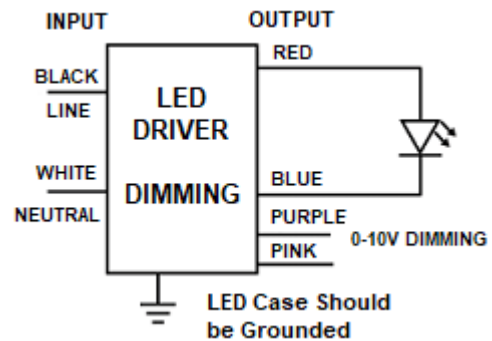
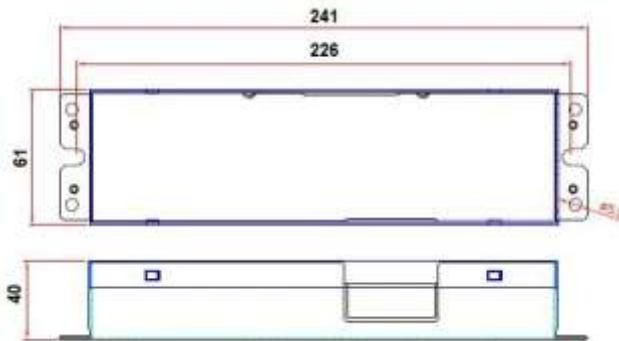
Case Size: Series FS4

Due to continuing efforts to offer improved products all specifications are subject to change without prior notice

INPUT VOLTAGE	INPUT CURRENT AMPS	INPUT POWER WATTS	OUTPUT POWER WATTS	OUTPUT VOLTAGE	OUTPUT CURRENT AMPS	MODEL
120	1.45A	136	120	21 to 34V	3.5A	NU3500C120WSD
277	0.64					

### LIMITED WARRANTY

5 YEAR at maximum case temperature 75 deg C. 3 YEAR at maximum case temperature 90 deg C. Manufacturer warrants to the purchaser: Product will be free from defects in material or workmanship from the date of manufacture conditioned upon proper storage, installation, use, and maintenance and conformance with any recommendations of Manufacturer



### Lead Length

Colour	inc	cm
Black	6	15.2
White	6	15.2
Blue	6	15.2
Red	6	15.2
Pink	7.1	18
Purple	7.1	18

### 0-10V Dimmer Compatibility Chart

LUTRON	LEVITON
NFTV	DS710-10Z
DVTV-WH	

### Case Size Series FS4

L	W	H	ML
241	61	40	226mm
9.5	2.4	1.57	8.9inch

**WARNING:** Always Disconnect Power Before Handling. Case Should be Grounded. Install in Accordance with National and Local Electrical Codes

# LED DRIVER 200W 0-10V Dimming

Output Range 34V to 57V Constant Current **3500mA** Max **200W**

Universal Voltage 120-277V Electronic Constant Current 3500mA LED Driver 0-10V Dimming. Output Range of 34V to 57V for Single circuit 200W maximum.

## Technical Specification:

UL, CUL Recognized, ROHS Compliant

EMI FCC Part 15, Class A

Rating: IP 65 Damp, Dry

Output Open/Short Protection

Min. Starting Temp: - 40° C

Max. Case Temp: 90° C

Typical Efficiency: 89%

Input Voltage range:  $\pm 10\%$

Output Load range  $\pm 5\%$

Input Frequency: 50/60HZ

THD: < 20%

Power Factor Min: 0.90

Remote Wiring Distance Full Load: 18AWG -18 ft

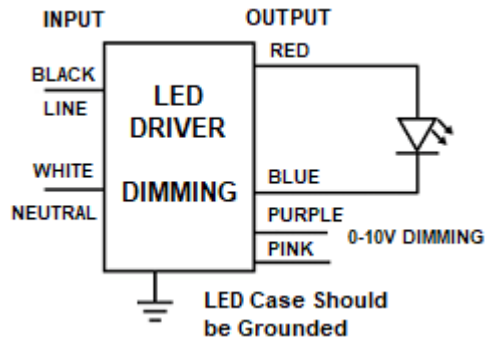
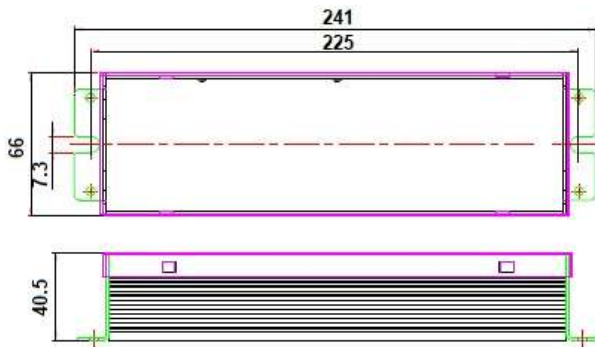
**Case Size: Series FS5**

Due to continuing efforts to offer improved products all specifications are subject to change without prior notice

INPUT VOLTAGE	INPUT CURRENT AMPS	INPUT POWER WATTS	OUTPUT POWER WATTS	OUTPUT VOLTAGE	OUTPUT CURRENT AMPS	MODEL
120	1.78A	225	200	34V to 57V	3.5A	<b>NU3500C200WSD</b>
277	0.78					

### LIMITED WARRANTY

5 YEAR at maximum case temperature 75 deg C. 3 YEAR at maximum case temperature 90 deg C. Manufacturer warrants to the purchaser: Product will be free from defects in material or workmanship from the date of manufacture conditioned upon proper storage, installation, use, and maintenance and conformance with any recommendations of Manufacturer



### Lead Length

Colour	inc	cm
Black	6	15.2
White	6	15.2
Blue	6	15.2
Red	6	15.2
Pink	7.1	18
Purple	7.1	18

### 0-10V Dimmer Compatibility Chart

LUTRON	LEVITON
NFTV	DS710-10Z
DVTV-WH	

### Case Size Series FS5

L	W	H	ML
241	66	40.5	226mm
9.5	2.6	1.6	8.9inch

**WARNING:** Always Disconnect Power Before Handling. Case Should be Grounded. Install in Accordance with National and Local Electrical Codes

901 - 3rd Street West, North Vancouver, BC V7P 3P9 Canada

TEL: 604-904-9533

www.sagedrivers.com www.sagelighting.com

*Sage  
Lighting Ltd.*

# LED DRIVER 136W 0-10V Dimming

Output Range 22V to 36V Constant Current **3800mA** Max **136W**

Universal Voltage 120-277V Electronic Constant Current LED Driver 0-10V Dimming. Output Range of 22V to 36V for Single circuit 136W maximum.

## Technical Specification:

UL, CUL Recognized, ROHS Compliant  
 EMI FCC Part 15, Class A  
 Rating: IP 65 Damp, Dry  
 Output Open/Short Protection  
 Min. Starting Temp: - 40° C  
 Max. Case Temp: 90° C  
 Typical Efficiency: 87%

Input Voltage range:  $\pm 10\%$   
 Output Load range  $\pm 5\%$   
 Input Frequency: 50/60HZ  
 THD: < 20%  
 Power Factor Min: 0.90  
 Remote Wiring Distance Full Load: 18AWG -18 ft

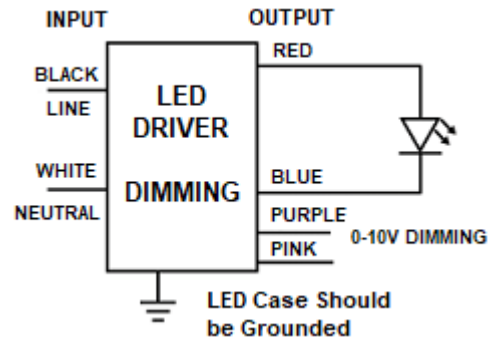
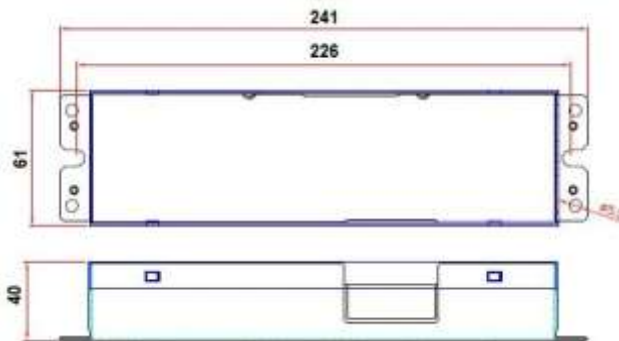
Case Size: Series FS4

Due to continuing efforts to offer improved products all specifications are subject to change without prior notice

INPUT VOLTAGE	INPUT CURRENT AMPS	INPUT POWER WATTS	OUTPUT POWER WATTS	OUTPUT VOLTAGE	OUTPUT CURRENT AMPS	MODEL
120	1.45A	156	136	22 to 36V	3.8A	<b>NU3800C136WSD</b>
277	0.64					

### LIMITED WARRANTY

5 YEAR at maximum case temperature 75 deg C. 3 YEAR at maximum case temperature 90 deg C. Manufacturer warrants to the purchaser: Product will be free from defects in material or workmanship from the date of manufacture conditioned upon proper storage, installation, use, and maintenance and conformance with any recommendations of Manufacturer



### Lead Length

Colour	inc	cm
Black	6	15.2
White	6	15.2
Blue	6	15.2
Red	6	15.2
Pink	7.1	18
Purple	7.1	18

### 0-10V Dimmer

#### Compatibility Chart

LUTRON	LEVITON
NFTV	DS710-10Z
DVTV-WH	

### Case Size Series FS4

L	W	H	ML
241	61	40	226mm
9.5	2.4	1.57	8.9inch

**WARNING:** Always Disconnect Power Before Handling. Case Should be Grounded. Install in Accordance with National and Local Electrical Codes

# LED DRIVER 210W 0-10V Dimming

Output Range 30V to 50V Constant Current **4200A** Max **210W**

Universal Voltage 120-277V Electronic Constant Current 4200mA LED Driver 0-10V Dimming. Output Range of 30V to 50V for Single circuit 210W maximum.

## Technical Specification:

UL, CUL Recognized, ROHS Compliant

EMI FCC Part 15, Class A

Rating: IP 65 Damp, Dry

Output Open/Short Protection

Min. Starting Temp: - 40° C

Max. Case Temp: 90° C

Typical Efficiency: 90%

Input Voltage range:  $\pm 10\%$

Output Load range  $\pm 5\%$

Input Frequency: 50/60HZ

THD: < 20%

Power Factor Min: 0.90

Remote Wiring Distance Full Load: 18AWG -18 ft

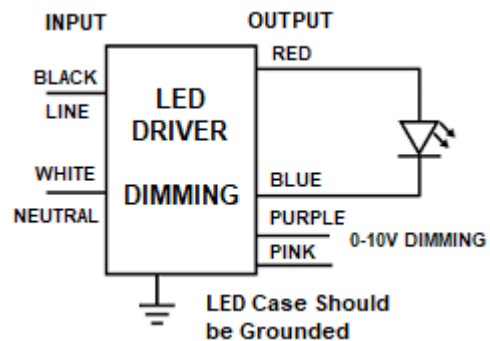
Case Size: Series FS5

Due to continuing efforts to offer improved products all specifications are subject to change without prior notice

INPUT VOLTAGE	INPUT CURRENT AMPS	INPUT POWER WATTS	OUTPUT POWER WATTS	OUTPUT VOLTAGE	OUTPUT CURRENT AMPS	MODEL
120	1.95A	236	210	30 to 50V	4.2A	NU4200C210WSD
277	0.85A					

### LIMITED WARRANTY

5 YEAR at maximum case temperature 75 deg C. 3 YEAR at maximum case temperature 90 deg C. Manufacturer warrants to the purchaser: Product will be free from defects in material or workmanship from the date of manufacture conditioned upon proper storage, installation, use, and maintenance and conformance with any recommendations of Manufacturer



### Lead Length

Colour	inc	cm
Black	6	15.2
White	6	15.2
Blue	6	15.2
Red	6	15.2
Pink	7.1	18
Purple	7.1	18

### 0-10V Dimmer Compatibility Chart

LUTRON	LEVITON
NFTV	DS710-10Z
DVTV-WH	

### Case Size Series FS5

L	W	H	ML
241	66	40.5	226mm
9.5	2.6	1.6	8.9inch

**WARNING:** Always Disconnect Power Before Handling. Case Should be Grounded. Install in Accordance with National and Local Electrical Codes

901 - 3rd Street West, North Vancouver, BC V7P 3P9 Canada

TEL: 604-904-9533

www.sagedrivers.com www.sagelighting.com

*Sage  
Lighting Ltd.*

# LED DRIVER 240W 0-10V Dimming

Output Range 32V to 54V Constant Current **4500mA** Max **240W**

Universal Voltage 120-277V Electronic Constant Current 4500mA LED Driver 0-10V Dimming. Output Range of 32V to 54V for Single circuit 240W maximum.

## Technical Specification:

UL, CUL Recognized, ROHS Compliant  
 EMI FCC Part 15, Class A  
 Rating: IP 65 Damp, Dry  
 Output Open/Short Protection  
 Min. Starting Temp: - 40° C  
 Max. Case Temp: 90° C  
 Typical Efficiency: 90%

Input Voltage range:  $\pm 10\%$   
 Output Load range  $\pm 5\%$   
 Input Frequency: 50/60HZ  
 THD: < 20%  
 Power Factor Min: 0.90  
 Remote Wiring Distance Full Load: 18AWG -18 ft

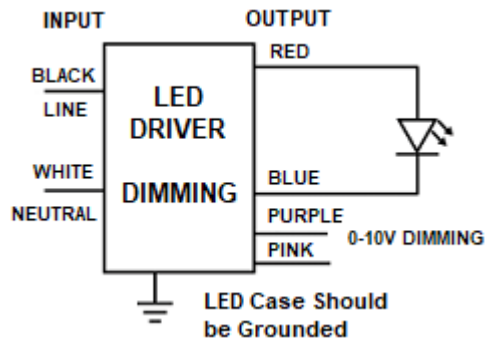
Case Size: Series FS5

Due to continuing efforts to offer improved products all specifications are subject to change without prior notice

INPUT VOLTAGE	INPUT CURRENT AMPS	INPUT POWER WATTS	OUTPUT POWER WATTS	OUTPUT VOLTAGE	OUTPUT CURRENT AMPS	MODEL
120	2.23A	266	240	32 to 54V	4.5A	NU4500C240WSD
277	0.96A					

### LIMITED WARRANTY

5 YEAR at maximum case temperature 75 deg C. 3 YEAR at maximum case temperature 90 deg C. Manufacturer warrants to the purchaser: Product will be free from defects in material or workmanship from the date of manufacture conditioned upon proper storage, installation, use, and maintenance and conformance with any recommendations of Manufacturer



### Lead Length

Colour	inc	cm
Black	6	15.2
White	6	15.2
Blue	6	15.2
Red	6	15.2
Pink	7.1	18
Purple	7.1	18

### 0-10V Dimmer Compatibility Chart

LUTRON	LEVITON
NFTV	DS710-10Z
DVTV-WH	

### Case Size Series FS5

L	W	H	ML
241	66	40.5	226mm
9.5	2.6	1.6	8.9inch

**WARNING:** Always Disconnect Power Before Handling. Case Should be Grounded. Install in Accordance with National and Local Electrical Codes



# LED DRIVER 210W 0-10V Dimming

Output Range 25V to 42V Constant Current **5000mA** Max **210W**

Universal Voltage 120-277V Electronic Constant Current LED Driver 0-10V Dimming. Output Range of 25V to 42V for Single circuit 210W maximum.

## Technical Specification:

UL, CUL Recognized, ROHS Compliant  
 EMI FCC Part 15, Class A  
 Rating: IP 65 Damp, Dry  
 Output Open/Short Protection  
 Min. Starting Temp: - 40° C  
 Max. Case Temp: 90° C  
 Typical Efficiency: 90%

Input Voltage range:  $\pm 10\%$   
 Output Load range  $\pm 5\%$   
 Input Frequency: 50/60HZ  
 THD: < 20%  
 Power Factor Min: 0.90  
 Remote Wiring Distance Full Load: 18AWG -18 ft

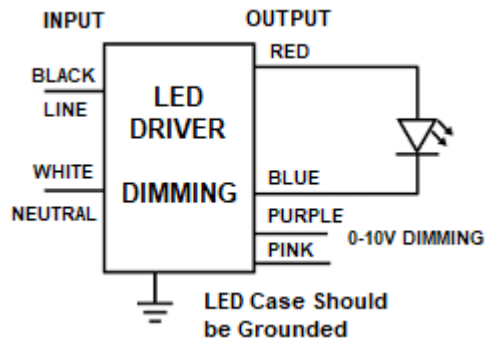
Case Size: Series FS5

Due to continuing efforts to offer improved products all specifications are subject to change without prior notice

INPUT VOLTAGE	INPUT CURRENT AMPS	INPUT POWER WATTS	OUTPUT POWER WATTS	OUTPUT VOLTAGE	OUTPUT CURRENT AMPS	MODEL
120	2.23A	233	210	25 to 42V	5.0A	NU5000C210WSD
277	0.96A					

### LIMITED WARRANTY

5 YEAR at maximum case temperature 75 deg C. 3 YEAR at maximum case temperature 90 deg C. Manufacturer warrants to the purchaser: Product will be free from defects in material or workmanship from the date of manufacture conditioned upon proper storage, installation, use, and maintenance and conformance with any recommendations of Manufacturer



### Lead Length

Colour	inc	cm
Black	6	15.2
White	6	15.2
Blue	6	15.2
Red	6	15.2
Pink	7.1	18
Purple	7.1	18

### 0-10V Dimmer Compatibility Chart

LUTRON	LEVITON
NFTV	DS710-10Z
DVTV-WH	

### Case Size Series FS5

L	W	H	ML
241	66	40.5	226mm
9.5	2.6	1.6	8.9inch

**WARNING:** Always Disconnect Power Before Handling. Case Should be Grounded. Install in Accordance with National and Local Electrical Codes



# Sage

## **120-277V** **Non-Dimmable** **Fixed Current** **LED Drivers**

Sage offers a large selection of 120-277V Non Dimmable fixed Current LED Drivers. These drivers are available in multiple Form factor and output and will provide a broader selection for Fixture Manufacturers to offer wide range of luminaires.

Output Current: from 300mA to 1700mA



# LED DRIVER Single Output Circuit

Output Range 79V to 131V Constant Current **260mA** Max **34W**

Compact Case with leads

Universal Voltage 120-277V Electronic Constant Current LED Driver Output Range of 79V to 131V for Single Output circuit 34W maximum.

## Technical Specification:

UL, CUL Recognized, ROHS Compliant

EMI FCC Part 15, Class A

Rating: IP 65 Damp, Dry

Output Open/Short Protection

Min. Starting Temp: - 40° C

Max. Case Temp: 90° C

Typical Efficiency: 87%

Input Voltage range:  $\pm 10\%$

Output Load range  $\pm 5\%$

Input Frequency: 50/60HZ

THD: < 20%

Power Factor Min: 0.90

Remote Wiring Distance Full Load: 18AWG - 18 ft

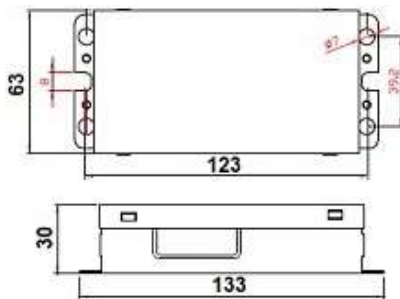
Case Size: Series C1U

Due to continuing efforts to offer improved products all specifications are subject to change without prior notice

INPUT VOLTAGE	INPUT CURRENT	INPUT WATTS	OUTPUT POWER WATTS MAX	OUTPUT VOLTAGE	OUTPUT CURRENT AMPS	MODEL
120	0.50A	39	34	79 to 131V	0.26A	NU260C34WS
277	0.22A					

### LIMITED WARRANTY

5 YEAR at maximum case temperature 75 deg C. 3 YEAR at maximum case temperature 90 deg C. Manufacturer warrants to the purchaser: Product will be free from defects in material or workmanship from the date of manufacture conditioned upon proper storage, installation, use, and maintenance and conformance with any recommendations of Manufacturer



Case Size Series C1U

L	W	H	ML
133	63	30	123mm
5.23	2.48	1.18	4.84inch

Lead Length

Colour	inch	cm
Black	6	15.2
White	6	15.2
Blue	6	15.2
Red	6	15.2



**WARNING:** Always Disconnect Power Before Handling. Case Should be Grounded. Install in Accordance with National and Local Electrical Codes

# LED DRIVER Single Output Circuit

Output Range 18V to 30V Constant Current **300mA** Max **9W**

Small Case Size with leads

Universal Voltage 120-277V Electronic Constant Current LED Driver Output Range of 18V to 30V for Single Output circuit 9W maximum.

## Technical Specification:

Class 2 UL, CUL Recognized, ROHS Compliant

EMI FCC Part 15, Class A

Rating: IP 65 Damp, Dry

Output Open/Short Protection

Min. Starting Temp: - 40° C

Max. Case Temp: 90° C

Typical Efficiency: 85%

Input Voltage range:  $\pm 10\%$

Output Load range  $\pm 5\%$

Input Frequency: 50/60HZ

THD: < 20%

Power Factor Min: 0.90

Remote Wiring Distance Full Load: 18AWG - 18 ft

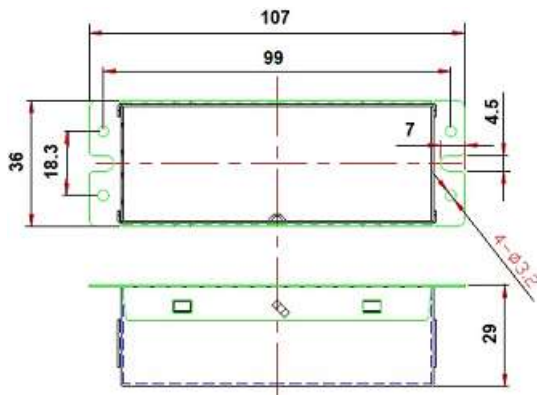
Case Size: Series D2

Due to continuing efforts to offer improved products all specifications are subject to change without prior notice

INPUT VOLTAGE	INPUT CURRENT	INPUT WATTS	OUTPUT POWER WATTS MAX	OUTPUT VOLTAGE	OUTPUT CURRENT AMPS	MODEL
120	0.13A	10.5	9	18 to 30V	0.3A	NU300C9WSM
277	0.06A					

### LIMITED WARRANTY

5 YEAR at maximum case temperature 75 deg C. 3 YEAR at maximum case temperature 90 deg C. Manufacturer warrants to the purchaser: Product will be free from defects in material or workmanship from the date of manufacture conditioned upon proper storage, installation, use, and maintenance and conformance with any recommendations of Manufacturer



Case Size Series D2

L	W	H	ML
107	36	29	99mm
4.21	1.42	1.14	3.9inch

Lead Length

Colour	inch	cm
Black	6	15.2
White	6	15.2
Blue	6	15.2
Red	6	15.2



**WARNING:** Always Disconnect Power Before Handling. Case Should be Grounded. Install in Accordance with National and Local Electrical Codes

# LED DRIVER Single Output Circuit

Output Range 36V to 60V Constant Current **300mA** Max **18W**

Compact Case with leads

Universal Voltage 120-277V Electronic Constant Current LED Driver Output Range of 36V to 60V for Single Output circuit 18W maximum.

## Technical Specification:

UL, CUL Recognized, ROHS Compliant

EMI FCC Part 15, Class A

Rating: IP 65 Damp, Dry

Output Open/Short Protection

Min. Starting Temp: - 40° C

Max. Case Temp: 90° C

Typical Efficiency: 86%

Input Voltage range:  $\pm 10\%$

Output Load range  $\pm 5\%$

Input Frequency: 50/60HZ

THD: < 20%

Power Factor Min: 0.90

Remote Wiring Distance Full Load: 18AWG - 18 ft

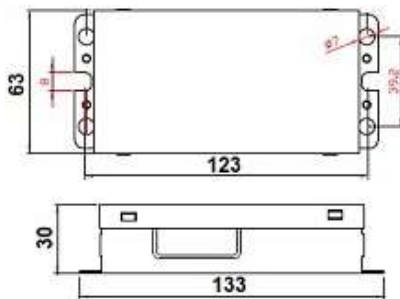
Case Size: Series C1U

Due to continuing efforts to offer improved products all specifications are subject to change without prior notice

INPUT VOLTAGE	INPUT CURRENT	INPUT WATTS	OUTPUT POWER WATTS MAX	OUTPUT VOLTAGE	OUTPUT CURRENT AMPS	MODEL
120	0.4A	21	18	36 to 60V	0.3A	NU300C18WS
277	0.17A					

### LIMITED WARRANTY

5 YEAR at maximum case temperature 75 deg C. 3 YEAR at maximum case temperature 90 deg C. Manufacturer warrants to the purchaser: Product will be free from defects in material or workmanship from the date of manufacture conditioned upon proper storage, installation, use, and maintenance and conformance with any recommendations of Manufacturer



Case Size Series C1U

L	W	H	ML
133	63	30	123mm
5.23	2.48	1.18	4.84inch

### Lead Length

Colour	inch	cm
Black	6	15.2
White	6	15.2
Blue	6	15.2
Red	6	15.2



**WARNING:** Always Disconnect Power Before Handling. Case Should be Grounded. Install in Accordance with National and Local Electrical Codes

# LED DRIVER 53W Single Output Circuit

## Output 105V to 175V Constant Current **300mA** Max **53W**

Universal Voltage 120-277V Electronic Constant Current LED Driver. Output Range of 105V to 175V for Single Output circuit 53W maximum.

### Technical Specification:

UL, CUL Recognized, ROHS Compliant  
 EMI FCC Part 15, Class A  
 Rating: IP 65 Damp, Dry  
 Output Open/Short Protection  
 Min. Starting Temp: - 40° C  
 Max. Case Temp: 90° C  
 Typical Efficiency: 85%

Input Voltage range:  $\pm 10\%$   
 Output Load range  $\pm 5\%$   
 Input Frequency: 50/60HZ  
 THD: < 20%  
 Power Factor Min: 0.90  
 Remote Wiring Distance Full Load: 18AWG -18 ft

Case Size: Series MU2

Due to continuing efforts to offer improved products all specifications are subject to change without prior notice

INPUT VOLTAGE	INPUT CURRENT	INPUT WATTS	OUTPUT POWER WATTS MAX	OUTPUT VOLTAGE	OUTPUT CURRENT AMPS	MODEL
120	1.45A	63	53	105 to 175V	0.3A	<b>NU300C53WS</b>
277	0.64A					

#### LIMITED WARRANTY

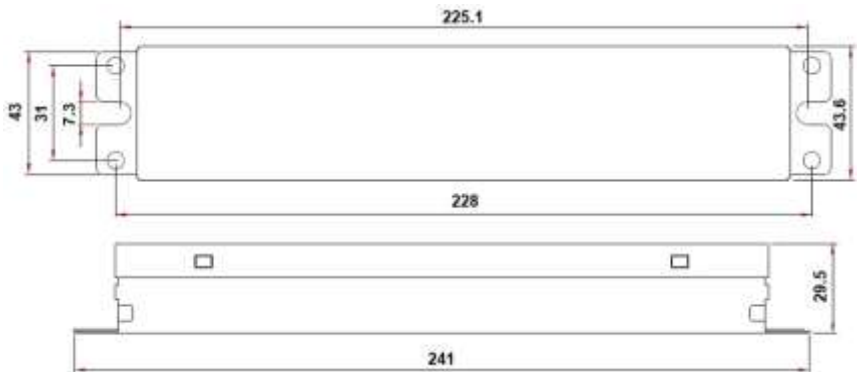
5 YEAR at maximum case temperature 75 deg C. 3 YEAR at maximum case temperature 90 deg C. Manufacturer warrants to the purchaser: Product will be free from defects in material or workmanship from the date of manufacture conditioned upon proper storage, installation, use, and maintenance and conformance with any recommendations of Manufacturer

#### Lead Length

Colour	inch	cm
Black	6	15.2
White	6	15.2
Blue	6	15.2
Red	6	15.2

#### Case Size Series MU2

L	W	H	ML
241	43	29.5	226mm
9.5	1.7	1.2	8.9 inch



**WARNING:** Always Disconnect Power Before Handling. Case Should be Grounded. Install in Accordance with National and Local Electrical Codes



# LED DRIVER 10.5W Single Output Circuit

Output Range 20V to 34V Constant Current 310mA Max **10.5W**

Small Case Size with leads

Universal Voltage 120-277V Electronic Constant Current LED Driver Output Range of 20V to 34V for Single Output circuit 10.5W maximum.

## Technical Specification:

Class 2 UL, CUL Recognized, ROHS Compliant

EMI FCC Part 15, Class A

Rating: IP 65 Damp, Dry

Output Open/Short Protection

Min. Starting Temp: - 40° C

Max. Case Temp: 90° C

Typical Efficiency: 84%

Input Voltage range:  $\pm 10\%$

Output Load range  $\pm 5\%$

Input Frequency: 50/60HZ

THD: < 25%

Power Factor Min: 0.90

Remote Wiring Distance Full Load: 18AWG - 18 ft

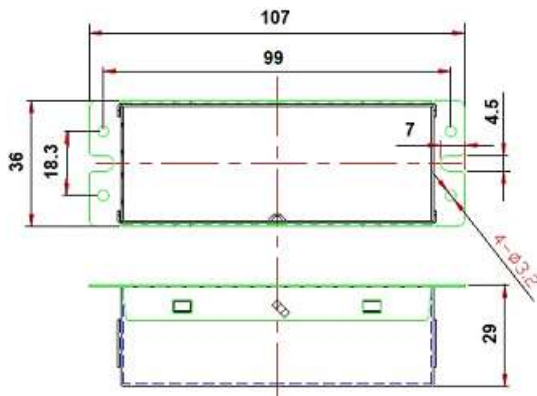
Case Size: Series D2

Due to continuing efforts to offer improved products all specifications are subject to change without prior notice

INPUT VOLTAGE	INPUT CURRENT	INPUT WATTS	OUTPUT POWER WATTS MAX	OUTPUT VOLTAGE	OUTPUT CURRENT AMPS	MODEL
120	0.13A	12.5	10.5	20 to 34V	0.31A	NU310C10WSM
277	0.06A					

### LIMITED WARRANTY

5 YEAR at maximum case temperature 75 deg C. 3 YEAR at maximum case temperature 90 deg C. Manufacturer warrants to the purchaser: Product will be free from defects in material or workmanship from the date of manufacture conditioned upon proper storage, installation, use, and maintenance and conformance with any recommendations of Manufacturer



Case Size Series D2

L	W	H	ML
107	36	29	99mm
4.21	1.42	1.14	3.9inch

Lead Length

Colour	inch	cm
Black	6	15.2
White	6	15.2
Blue	6	15.2
Red	6	15.2



**WARNING:** Always Disconnect Power Before Handling. Case Should be Grounded. Install in Accordance with National and Local Electrical Codes

901 - 3rd Street West, North Vancouver, BC V7P 3P9 Canada

TEL: 604-904-9533

www.sagedrivers.com www.sagelighting.com

*Sage  
Lighting Ltd.*

# LED DRIVER 5W Single Output Circuit

Output Range 9V to 14V Constant Current **350mA** Max **5W**  
Small Case Size

Universal Voltage 120-277V Electronic Constant Current LED Driver Output Range of 9V to 14V for Single Output circuit 5W maximum.

## Technical Specification:

Class 2 UL, CUL Recognized, ROHS Compliant  
EMI FCC Part 15, Class A  
Rating: IP 65 Damp, Dry  
Output Open/Short Protection  
Min. Starting Temp: - 40° C  
Max. Case Temp: 90° C  
Typical Efficiency: 79%

Input Voltage range:  $\pm 10\%$   
Output Load range  $\pm 5\%$   
Input Frequency: 50/60HZ  
THD: < 20%  
Power Factor Min: 0.90  
Remote Wiring Distance Full Load: 18AWG - 18 ft

Case Size: Series D2

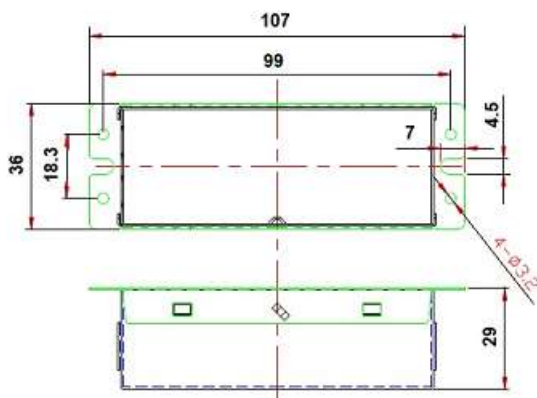
Due to continuing efforts to offer improved products all specifications are subject to change without prior notice

4/3/17

INPUT VOLTAGE	INPUT CURRENT	INPUT WATTS	OUTPUT POWER WATTS MAX	OUTPUT VOLTAGE	OUTPUT CURRENT AMPS	MODEL
120	0.06A	7	5	9V to 14V	0.35A	NU350C5WSM
277	0.03A					

### LIMITED WARRANTY

5 YEAR at maximum case temperature 75 deg C. 3 YEAR at maximum case temperature 90 deg C. Manufacturer warrants to the purchaser: Product will be free from defects in material or workmanship from the date of manufacture conditioned upon proper storage, installation, use, and maintenance and conformance with any recommendations of Manufacturer



Case Size Series D2

L	W	H	ML
107	36	29	99mm
4.21	1.42	1.14	3.9inch

Lead Length

Colour	inch	cm
Black	6	15.2
White	6	15.2
Blue	6	15.2
Red	6	15.2



**WARNING:** Always Disconnect Power Before Handling. Case Should be Grounded. Install in Accordance with National and Local Electrical Codes

# LED DRIVER 8W Single Output Circuit

Output Range 14V to 23V Constant Current **350mA** Max **8W**

Small Case Size with leads

Universal Voltage 120-277V Electronic Constant Current LED Driver Output Range of 14V to 23V for Single Output circuit 8W maximum.

## Technical Specification:

Class 2 UL, CUL Recognized, ROHS Compliant

EMI FCC Part 15, Class A

Rating: IP 65 Damp, Dry

Output Open/Short Protection

Min. Starting Temp: - 40° C

Max. Case Temp: 90° C

Typical Efficiency: 82%

Input Voltage range:  $\pm 10\%$

Output Load range  $\pm 5\%$

Input Frequency: 50/60HZ

THD: < 20%

Power Factor Min: 0.90

Remote Wiring Distance Full Load: 18AWG - 18 ft

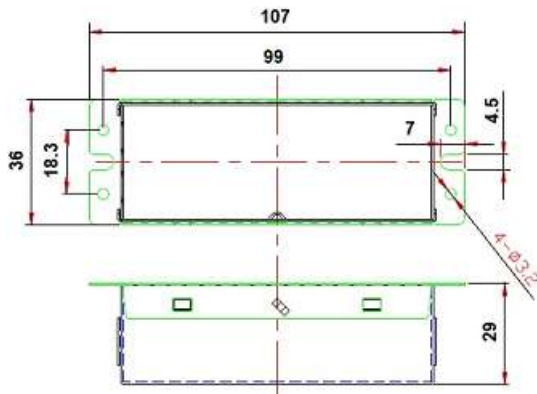
Case Size: Series D2

Due to continuing efforts to offer improved products all specifications are subject to change without prior notice

INPUT VOLTAGE	INPUT CURRENT	INPUT WATTS	OUTPUT POWER WATTS MAX	OUTPUT VOLTAGE	OUTPUT CURRENT AMPS	MODEL
120	0.13A	10	8	14 to 23V	0.35A	NU350C8WSM
277	0.06A					

### LIMITED WARRANTY

5 YEAR at maximum case temperature 75 deg C. 3 YEAR at maximum case temperature 90 deg C. Manufacturer warrants to the purchaser: Product will be free from defects in material or workmanship from the date of manufacture conditioned upon proper storage, installation, use, and maintenance and conformance with any recommendations of Manufacturer



Case Size Series D2

L	W	H	ML
107	36	29	99mm
4.21	1.42	1.14	3.9inch

Lead Length

Colour	inch	cm
Black	6	15.2
White	6	15.2
Blue	6	15.2
Red	6	15.2



**WARNING:** Always Disconnect Power Before Handling. Case Should be Grounded. Install in Accordance with National and Local Electrical Codes

901 - 3rd Street West, North Vancouver, BC V7P 3P9 Canada

TEL: 604-904-9533

www.sagedrivers.com www.sagelighting.com

*Sage  
Lighting Ltd.*

# LED DRIVER 12W Single Output Circuit

Output Range 20V to 34V Constant Current **350mA** Max **12W**

Small Case Size with leads

Universal Voltage 120-277V Electronic Constant Current LED Driver Output Range of 20V to 34V for Single Output circuit 12W maximum.

## Technical Specification:

Class 2 UL, CUL Recognized, ROHS Compliant

EMI FCC Part 15, Class A

Rating: IP 65 Damp, Dry

Output Open/Short Protection

Min. Starting Temp: - 40° C

Max. Case Temp: 90° C

Typical Efficiency: 85%

Input Voltage range:  $\pm 10\%$

Output Load range  $\pm 5\%$

Input Frequency: 50/60HZ

THD: < 25%

Power Factor Min: 0.90

Remote Wiring Distance Full Load: 18AWG - 18 ft

Case Size: Series D2

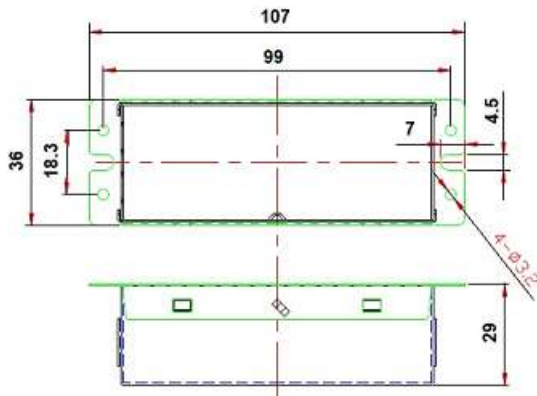
Due to continuing efforts to offer improved products all specifications are subject to change without prior notice

7/1/22

INPUT VOLTAGE	INPUT CURRENT	INPUT WATTS	OUTPUT POWER WATTS MAX	OUTPUT VOLTAGE	OUTPUT CURRENT AMPS	MODEL
120	0.13A	14	12	20 to 34V	0.35A	NU350C12WSM
277	0.06A					

### LIMITED WARRANTY

5 YEAR at maximum case temperature 75 deg C. 3 YEAR at maximum case temperature 90 deg C. Manufacturer warrants to the purchaser: Product will be free from defects in material or workmanship from the date of manufacture conditioned upon proper storage, installation, use, and maintenance and conformance with any recommendations of Manufacturer

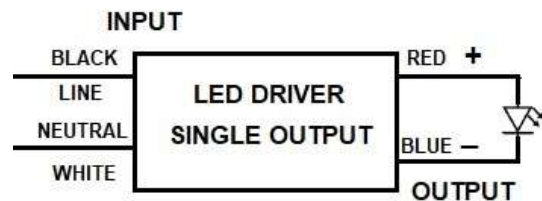


Case Size Series D2

L	W	H	ML
107	36	29	99mm
4.21	1.42	1.14	3.9inch

Lead Length

Colour	inch	cm
Black	6	15.2
White	6	15.2
Blue	6	15.2
Red	6	15.2



**WARNING:** Always Disconnect Power Before Handling. Case Should be Grounded. Install in Accordance with National and Local Electrical Codes

901 - 3rd Street West, North Vancouver, BC V7P 3P9 Canada

TEL: 604-904-9533

www.sagedrivers.com www.sagelighting.com

*Sage  
Lighting Ltd.*

# LED DRIVER 11W Single Output Circuit

Output Range 14V to 24V Constant Current **450mA** Max **11W**

Compact Case with leads

Universal Voltage 120-277V Electronic Constant Current LED Driver Output Range of 14V to 24V for Single Output circuit 11W maximum.

## Technical Specification:

Class 2 UL, CUL Recognized, ROHS Compliant

EMI FCC Part 15, Class A

Rating: IP 65 Damp, Dry

Output Open/Short Protection

Min. Starting Temp: - 40° C

Max. Case Temp: 90° C

Typical Efficiency: 85%

Input Voltage range:  $\pm 10\%$

Output Load range  $\pm 5\%$

Input Frequency: 50/60HZ

THD: < 25%

Power Factor Min: 0.90

Remote Wiring Distance Full Load: 18AWG - 18 ft

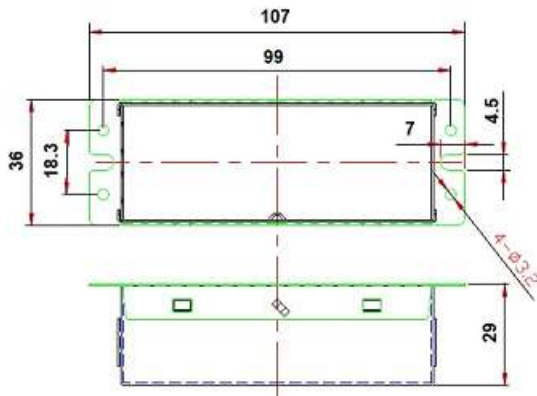
Case Size: Series D2

Due to continuing efforts to offer improved products all specifications are subject to change without prior notice

INPUT VOLTAGE	INPUT CURRENT	INPUT WATTS	OUTPUT POWER WATTS MAX	OUTPUT VOLTAGE	OUTPUT CURRENT AMPS	MODEL
120	0.13A	13	11	14 to 24V	0.45A	NU450C11WSM
277	0.06A					

### LIMITED WARRANTY

5 YEAR at maximum case temperature 75 deg C. 3 YEAR at maximum case temperature 90 deg C. Manufacturer warrants to the purchaser: Product will be free from defects in material or workmanship from the date of manufacture conditioned upon proper storage, installation, use, and maintenance and conformance with any recommendations of Manufacturer



Case Size Series D2

L	W	H	ML
107	36	29	99mm
4.21	1.42	1.14	3.9inch

Lead Length

Colour	inch	cm
Black	6	15.2
White	6	15.2
Blue	6	15.2
Red	6	15.2



**WARNING:** Always Disconnect Power Before Handling. Case Should be Grounded. Install in Accordance with National and Local Electrical Codes

# LED DRIVER 18W Single Output Circuit

Output Range 24V to 40V Constant Current **450mA** Max **18W**

Small Case Size with leads

Universal Voltage 120-277V Electronic Constant Current LED Driver Output Range of 24V to 40V for Single Output circuit 18W maximum.

## Technical Specification:

Class 2 UL, CUL Recognized, ROHS Compliant

EMI FCC Part 15, Class A

Rating: IP 65 Damp, Dry

Output Open/Short Protection

Min. Starting Temp: - 40° C

Max. Case Temp: 90° C

Typical Efficiency: 80%

Input Voltage range:  $\pm 10\%$

Output Load range:  $\pm 5\%$

Input Frequency: 50/60HZ

THD: < 20%

Power Factor Min: 0.90

Remote Wiring Distance Full Load: 18AWG - 18 ft

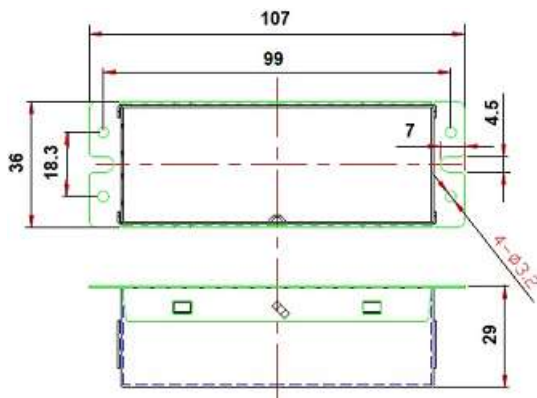
Case Size: Series D2

Due to continuing efforts to offer improved products all specifications are subject to change without prior notice

INPUT VOLTAGE	INPUT CURRENT	INPUT WATTS	OUTPUT POWER WATTS MAX	OUTPUT VOLTAGE	OUTPUT CURRENT AMPS	MODEL
120	0.21A	23	18	24 to 40V	0.45A	NU450C18WSM
277	0.1A					

### LIMITED WARRANTY

5 YEAR at maximum case temperature 75 deg C. 3 YEAR at maximum case temperature 90 deg C. Manufacturer warrants to the purchaser: Product will be free from defects in material or workmanship from the date of manufacture conditioned upon proper storage, installation, use, and maintenance and conformance with any recommendations of Manufacturer



Case Size Series D2

L	W	H	ML
107	36	29	99mm
4.21	1.42	1.14	3.9inch

Lead Length

Colour	inch	cm
Black	6	15.2
White	6	15.2
Blue	6	15.2
Red	6	15.2



**WARNING:** Always Disconnect Power Before Handling. Case Should be Grounded. Install in Accordance with National and Local Electrical Codes

901 - 3rd Street West, North Vancouver, BC V7P 3P9 Canada

TEL: 604-904-9533

www.sagedrivers.com www.sagelighting.com

*Sage  
Lighting Ltd.*

# LED DRIVER 5W Single Output Circuit

Output Range 6V to 10V Constant Current **500mA** Max **5W**

Small Case Size with leads

Universal Voltage 120-277V Electronic Constant Current LED Driver Output Range of 6V to 10V for Single Output circuit 5W maximum.

## Technical Specification:

Class 2 UL, CUL Recognized, ROHS Compliant  
 EMI FCC Part 15, Class A  
 Rating: IP 65 Damp, Dry  
 Output Open/Short Protection  
 Min. Starting Temp: - 40° C  
 Max. Case Temp: 90° C  
 Typical Efficiency: 79%

Input Voltage range:  $\pm 10\%$   
 Output Load range:  $\pm 5\%$   
 Input Frequency: 50/60HZ  
 THD: < 20%  
 Power Factor Min: 0.90  
 Remote Wiring Distance Full Load: 18AWG - 18 ft

Case Size: Series D2

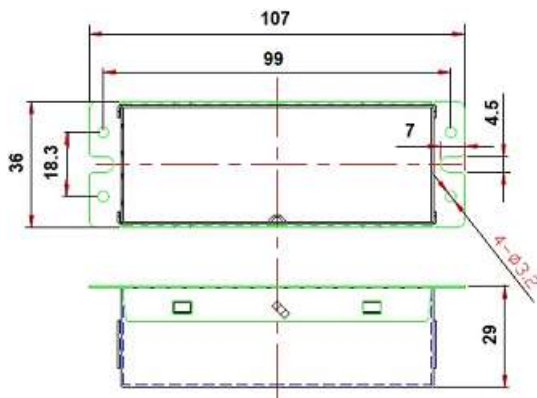
Due to continuing efforts to offer improved products all specifications are subject to change without prior notice

R03/01/15

INPUT VOLTAGE	INPUT CURRENT	INPUT WATTS	OUTPUT POWER WATTS MAX	OUTPUT VOLTAGE	OUTPUT CURRENT AMPS	MODEL
120	0.06A	7	5	6 to 10V	0.5A	NU500C5WSM
277	0.03A					

### LIMITED WARRANTY

5 YEAR at maximum case temperature 75 deg C. 3 YEAR at maximum case temperature 90 deg C. Manufacturer warrants to the purchaser: Product will be free from defects in material or workmanship from the date of manufacture conditioned upon proper storage, installation, use, and maintenance and conformance with any recommendations of Manufacturer



Case Size Series D2

L	W	H	ML
107	36	29	99mm
4.21	1.42	1.14	3.9inch

Lead Length

Colour	inch	cm
Black	6	15.2
White	6	15.2
Blue	6	15.2
Red	6	15.2



**WARNING:** Always Disconnect Power Before Handling. Case Should be Grounded. Install in Accordance with National and Local Electrical Codes

# LED DRIVER Single Output Circuit

Output Range 15V to 24V Constant Current **500mA** Max **12W**  
Small Case Size

Universal Voltage 120-277V Electronic Constant Current LED Driver Output Range of 15V to 24V for Single Output circuit 12W maximum.

## Technical Specification:

Class 2 UL, CUL Recognized, ROHS Compliant  
EMI FCC Part 15, Class A  
Rating: IP 65 Damp, Dry  
Output Open/Short Protection  
Min. Starting Temp: - 40° C  
Max. Case Temp: 90° C  
Typical Efficiency: 83%

Input Voltage range:  $\pm 10\%$   
Output Load range:  $\pm 5\%$   
Input Frequency: 50/60HZ  
THD: < 20%  
Power Factor Min: 0.90  
Remote Wiring Distance Full Load: 18AWG - 18 ft

Case Size: Series D2

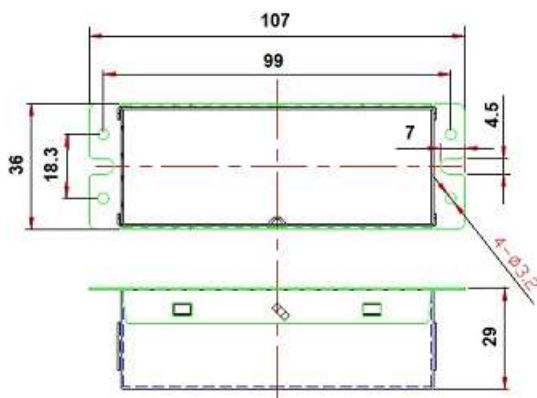
Due to continuing efforts to offer improved products all specifications are subject to change without prior notice

R03/01/15

INPUT VOLTAGE	OUTPUT POWER WATTS MAX	INPUT CURRENT	INPUT WATTS	OUTPUT VOLTAGE	OUTPUT CURRENT AMPS	MODEL
120	12	0.15A	15.5	15 to 24V	0.5A	NU500C12WSM
277		0.06A				

### LIMITED WARRANTY

5 YEAR at maximum case temperature 75 deg C. 3 YEAR at maximum case temperature 90 deg C. Manufacturer warrants to the purchaser: Product will be free from defects in material or workmanship from the date of manufacture conditioned upon proper storage, installation, use, and maintenance and conformance with any recommendations of Manufacturer



Case Size Series D2

L	W	H	ML
107	36	29	99mm
4.21	1.42	1.14	3.9inch

Lead Length

Colour	inch	cm
Black	6	15.2
White	6	15.2
Blue	6	15.2
Red	6	15.2



**WARNING:** Always Disconnect Power Before Handling. Case Should be Grounded. Install in Accordance with National and Local Electrical Codes



# LED DRIVER 18W Single Output Circuit

Output Range 22V to 36V Constant Current **500mA** Max **18W**

Small Case with leads

Universal Voltage 120-277V Electronic Constant Current LED Driver Output Range of 22V to 36V for Single Output circuit 18W maximum.

## Technical Specification:

Class 2 UL, CUL Recognized, ROHS Compliant

EMI FCC Part 15, Class A

Rating: IP 65 Damp, Dry

Output Open/Short Protection

Min. Starting Temp: - 40° C

Max. Case Temp: 90° C

Typical Efficiency: 80%

Input Voltage range:  $\pm 10\%$

Output Load range  $\pm 5\%$

Input Frequency: 50/60HZ

THD: < 20%

Power Factor Min: 0.90

Remote Wiring Distance Full Load: 18AWG - 18 ft

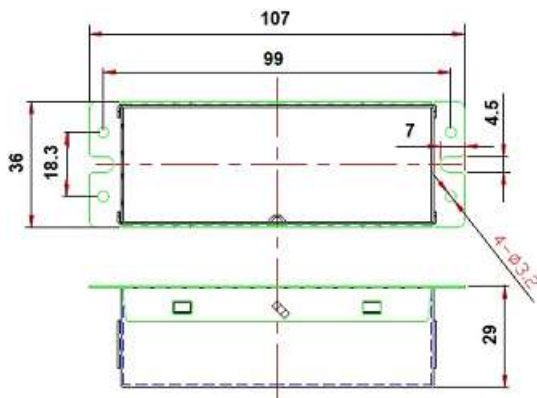
Case Size: Series D2

Due to continuing efforts to offer improved products all specifications are subject to change without prior notice

INPUT VOLTAGE	INPUT CURRENT	INPUT WATTS	OUTPUT POWER WATTS MAX	OUTPUT VOLTAGE	OUTPUT CURRENT AMPS	MODEL
120	0.21A	23	18	22 to 36V	0.5A	NU500C18WS
277	0.1A					

### LIMITED WARRANTY

5 YEAR at maximum case temperature 75 deg C. 3 YEAR at maximum case temperature 90 deg C. Manufacturer warrants to the purchaser: Product will be free from defects in material or workmanship from the date of manufacture conditioned upon proper storage, installation, use, and maintenance and conformance with any recommendations of Manufacturer

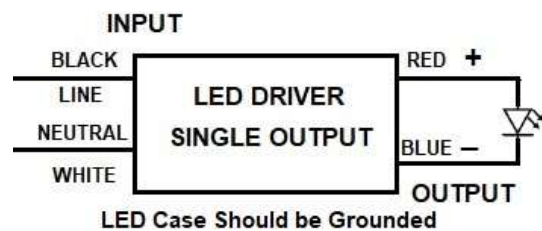


Case Size Series D2

L	W	H	ML
107	36	29	99mm
4.21	1.42	1.14	3.9inch

Lead Length

Colour	inch	cm
Black	6	15.2
White	6	15.2
Blue	6	15.2
Red	6	15.2



**WARNING:** Always Disconnect Power Before Handling. Case Should be Grounded. Install in Accordance with National and Local Electrical Codes

901 - 3rd Street West, North Vancouver, BC V7P 3P9 Canada

TEL: 604-904-9533

www.sagedrivers.com www.sagelighting.com

*Sage  
Lighting Ltd.*

# LED DRIVER Single Output Circuit

Output Range 24V to 40V Constant Current **600mA** Max **24W**

Small Case Size with leads

Universal Voltage 120-277V Electronic Constant Current LED Driver Output Range of 24V to 40V for Single Output circuit 24W maximum.

## Technical Specification:

Class 2 UL, CUL Recognized, ROHS Compliant  
 EMI FCC Part 15, Class A  
 Rating: IP 65 Damp, Dry  
 Output Open/Short Protection  
 Min. Starting Temp: - 40° C  
 Max. Case Temp: 90° C  
 Typical Efficiency: 85%

Input Voltage range:  $\pm 10\%$   
 Output Load range:  $\pm 5\%$   
 Input Frequency: 50/60HZ  
 THD: < 20%  
 Power Factor Min: 0.90  
 Remote Wiring Distance Full Load: 18AWG - 18 ft

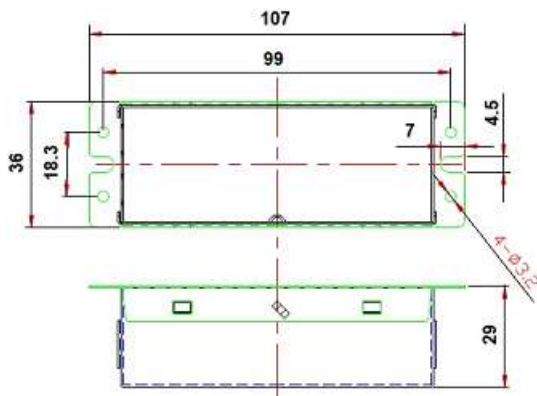
Case Size: Series D2

Due to continuing efforts to offer improved products all specifications are subject to change without prior notice

INPUT VOLTAGE	INPUT CURRENT	INPUT WATTS	OUTPUT POWER WATTS MAX	OUTPUT VOLTAGE	OUTPUT CURRENT AMPS	MODEL
120	0.27A	29	24	24 to 40V	0.6A	NU600C24WSM
277	0.11A					

### LIMITED WARRANTY

5 YEAR at maximum case temperature 75 deg C. 3 YEAR at maximum case temperature 90 deg C. Manufacturer warrants to the purchaser: Product will be free from defects in material or workmanship from the date of manufacture conditioned upon proper storage, installation, use, and maintenance and conformance with any recommendations of Manufacturer



Case Size Series D2

L	W	H	ML
107	36	29	99mm
4.21	1.42	1.14	3.9inch

Lead Length

Colour	inch	cm
Black	6	15.2
White	6	15.2
Blue	6	15.2
Red	6	15.2

**WARNING:** Always Disconnect Power Before Handling. Case Should be Grounded. Install in Accordance with National and Local Electrical Codes

# LED DRIVER Single Output Circuit

Output Range 34V to 57V Constant Current **600mA** Max **34W**

Compact Case with leads

Universal Voltage 120-277V Electronic Constant Current LED Driver Output Range of 34V to 57V for Single Output circuit 34W maximum.

## Technical Specification:

Class 2 UL, CUL Recognized, ROHS Compliant

EMI FCC Part 15, Class A

Rating: IP 65 Damp, Dry

Output Open/Short Protection

Min. Starting Temp: - 40° C

Max. Case Temp: 90° C

Typical Efficiency: 86%

Input Voltage range:  $\pm 10\%$

Output Load range  $\pm 5\%$

Input Frequency: 50/60HZ

THD: < 20%

Power Factor Min: 0.90

Remote Wiring Distance Full Load: 18AWG -18 ft

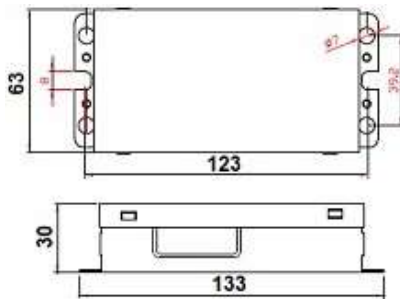
Case Size: Series C1U

Due to continuing efforts to offer improved products all specifications are subject to change without prior notice

INPUT VOLTAGE	INPUT CURRENT	INPUT WATTS	OUTPUT POWER WATTS MAX	OUTPUT VOLTAGE	OUTPUT CURRENT AMPS	MODEL
120	0.44A	40	34	34 to 57V	0.6A	NU600C34WS
277	0.19A					

### LIMITED WARRANTY

5 YEAR at maximum case temperature 75 deg C. 3 YEAR at maximum case temperature 90 deg C. Manufacturer warrants to the purchaser: Product will be free from defects in material or workmanship from the date of manufacture conditioned upon proper storage, installation, use, and maintenance and conformance with any recommendations of Manufacturer



Case Size Series C1U			
L	W	H	ML
133	63	30	123mm
5.23	2.48	1.18	4.84inch

### Lead Length

Colour	inch	cm
Black	6	15.2
White	6	15.2
Blue	6	15.2
Red	6	15.2



**WARNING:** Always Disconnect Power Before Handling. Case Should be Grounded. Install in Accordance with National and Local Electrical Codes

# LED DRIVER 3W Single Output Circuit

Output Range 2V to 4V Constant Current **700mA** Max **3W**

Small Case with leads

Universal Voltage 120-277V Electronic Constant Current LED Driver Output Range of 2V to 4V for Single Output circuit 3W maximum.

## Technical Specification:

Class 2 UL, CUL Recognized, ROHS Compliant  
 EMI FCC Part 15, Class A  
 Rating: IP 65 Damp, Dry  
 Output Open/Short Protection  
 Min. Starting Temp: - 40° C  
 Max. Case Temp: 90° C  
 Typical Efficiency: 79%

Input Voltage range:  $\pm 10\%$   
 Output Load range:  $\pm 5\%$   
 Input Frequency: 50/60HZ  
 THD: < 30%  
 Power Factor Min: 0.90  
 Remote Wiring Distance Full Load: 18AWG - 18 ft

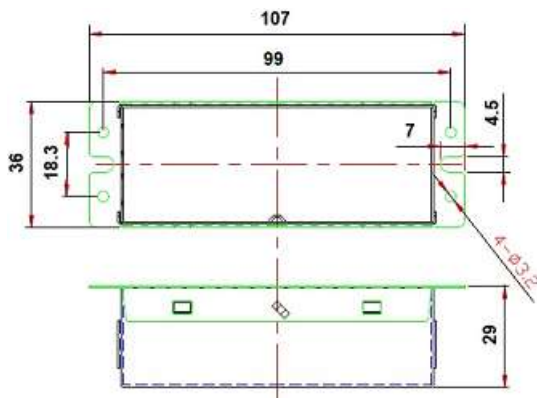
Case Size: Series D2

Due to continuing efforts to offer improved products all specifications are subject to change without prior notice

INPUT VOLTAGE	INPUT CURRENT	INPUT WATTS	OUTPUT POWER WATTS MAX	OUTPUT VOLTAGE	OUTPUT CURRENT AMPS	MODEL
120	0.06A	4	3	2 to 4V	0.7A	NU700C3WSM
277	0.03A					

### LIMITED WARRANTY

5 YEAR at maximum case temperature 75 deg C. 3 YEAR at maximum case temperature 90 deg C. Manufacturer warrants to the purchaser: Product will be free from defects in material or workmanship from the date of manufacture conditioned upon proper storage, installation, use, and maintenance and conformance with any recommendations of Manufacturer

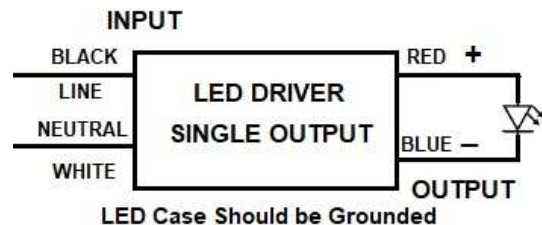


Case Size Series D2

L	W	H	ML
107	36	29	99mm
4.21	1.42	1.14	3.9inch

Lead Length

Colour	inch	cm
Black	6	15.2
White	6	15.2
Blue	6	15.2
Red	6	15.2



**WARNING:** Always Disconnect Power Before Handling. Case Should be Grounded. Install in Accordance with National and Local Electrical Codes

# LED DRIVER Single Output Circuit

Output Range 5V to 7V Constant Current **700mA** Max **5W**

Small Case Size

Universal Voltage 120-277V Electronic Constant Current LED Driver Output Range of 5V to 7V for Single Output circuit 5W maximum.

## Technical Specification:

Class 2 UL, CUL Recognized, ROHS Compliant  
 EMI FCC Part 15, Class A  
 Rating: IP 65 Damp, Dry  
 Output Open/Short Protection  
 Min. Starting Temp: - 40° C  
 Max. Case Temp: 90° C  
 Typical Efficiency: 72%

Input Voltage range:  $\pm 10\%$   
 Output Load range  $\pm 5\%$   
 Input Frequency: 50/60HZ  
 THD: < 30%  
 Power Factor Min: 0.90  
 Remote Wiring Distance Full Load: 18AWG - 18 ft

Case Size: Series D2

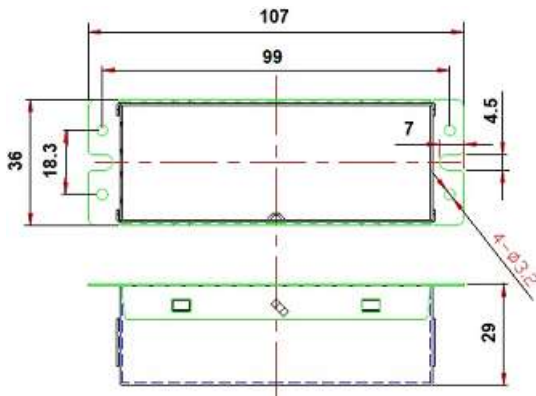
Due to continuing efforts to offer improved products all specifications are subject to change without prior notice

5/2/18

INPUT VOLTAGE	INPUT CURRENT	INPUT WATTS	OUTPUT POWER WATTS MAX	OUTPUT VOLTAGE	OUTPUT CURRENT AMPS	MODEL
120	0.06A	7	5	5V to 7V	0.7A	NU700C5WSM
277	0.03A					

### LIMITED WARRANTY

5 YEAR at maximum case temperature 75 deg C. 3 YEAR at maximum case temperature 90 deg C. Manufacturer warrants to the purchaser: Product will be free from defects in material or workmanship from the date of manufacture conditioned upon proper storage, installation, use, and maintenance and conformance with any recommendations of Manufacturer

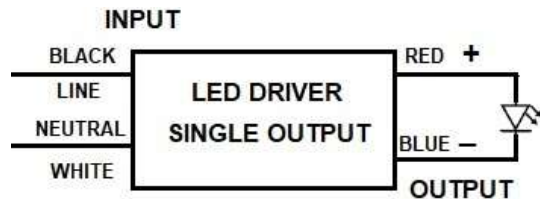


Case Size Series D2

L	W	H	ML
107	36	29	99mm
4.21	1.42	1.14	3.9inch

Lead Length

Colour	inch	cm
Black	6	15.2
White	6	15.2
Blue	6	15.2
Red	6	15.2



LED Case Should be Grounded

**WARNING:** Always Disconnect Power Before Handling. Case Should be Grounded. Install in Accordance with National and Local Electrical Codes

# LED DRIVER Single Output Circuit

Output Range 6V to 10V Constant Current **700mA** Max **7W**

Small Case Size with leads

Universal Voltage 120-277V Electronic Constant Current LED Driver Output Range of 6V to 10V for Single Output circuit 7W maximum.

## Technical Specification:

Class 2 UL, CUL Recognized, ROHS Compliant

EMI FCC Part 15, Class A

Rating: IP 65 Damp, Dry

Output Open/Short Protection

Min. Starting Temp: - 40° C

Max. Case Temp: 90° C

Typical Efficiency: 84%

Input Voltage range:  $\pm 10\%$

Output Load range  $\pm 5\%$

Input Frequency: 50/60HZ

THD: < 30%

Power Factor Min: 0.90

Remote Wiring Distance Full Load: 18AWG - 18 ft

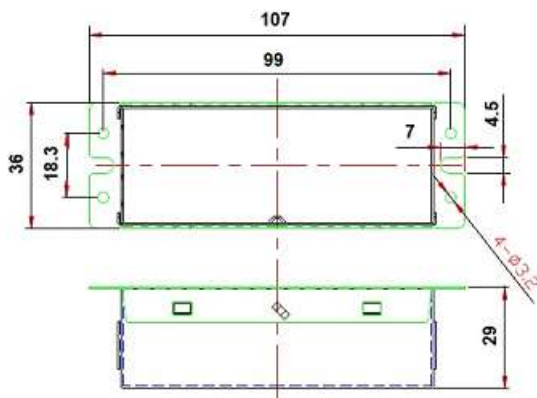
Case Size: Series D2

Due to continuing efforts to offer improved products all specifications are subject to change without prior notice

INPUT VOLTAGE	INPUT CURRENT	INPUT WATTS	OUTPUT POWER WATTS MAX	OUTPUT VOLTAGE	OUTPUT CURRENT AMPS	MODEL
120	0.15A	8.5	7	6 to 10V	0.7A	NU700C7WSM
277	0.06A					

### LIMITED WARRANTY

5 YEAR at maximum case temperature 75 deg C. 3 YEAR at maximum case temperature 90 deg C. Manufacturer warrants to the purchaser: Product will be free from defects in material or workmanship from the date of manufacture conditioned upon proper storage, installation, use, and maintenance and conformance with any recommendations of Manufacturer



Case Size Series D2			
L	W	H	ML
107	36	29	99mm
4.21	1.42	1.14	3.9inch

### Lead Length

Colour	inch	cm
Black	6	15.2
White	6	15.2
Blue	6	15.2
Red	6	15.2



**WARNING:** Always Disconnect Power Before Handling. Case Should be Grounded. Install in Accordance with National and Local Electrical Codes

901 - 3rd Street West, North Vancouver, BC V7P 3P9 Canada

TEL: 604-904-9533

www.sagedrivers.com www.sagelighting.com

*Sage  
Lighting Ltd.*

# LED DRIVER Single Output Circuit

Output Range 8V to 13V Constant Current **700mA** Max **9W**

Small Case Size with leads

Universal Voltage 120-277V Electronic Constant Current LED Driver Output Range of 8V to 13V for Single Output circuit 9W maximum.

## Technical Specification:

Class 2 UL, CUL Recognized, ROHS Compliant  
 EMI FCC Part 15, Class A  
 Rating: IP 65 Damp, Dry  
 Output Open/Short Protection  
 Min. Starting Temp: - 40° C  
 Max. Case Temp: 90° C  
 Typical Efficiency: 84%

Input Voltage range:  $\pm 10\%$   
 Output Load range:  $\pm 5\%$   
 Input Frequency: 50/60HZ  
 THD: < 30%  
 Power Factor Min: 0.90  
 Remote Wiring Distance Full Load: 18AWG - 18 ft

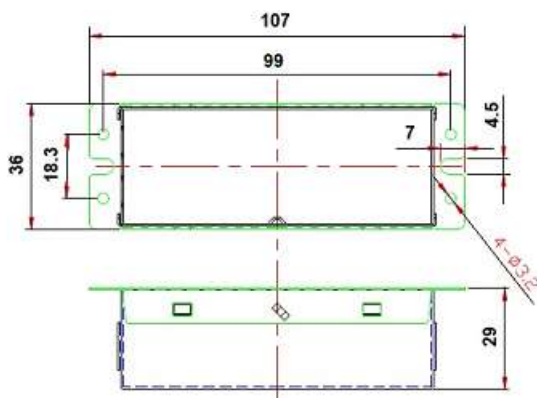
Case Size: Series D2

Due to continuing efforts to offer improved products all specifications are subject to change without prior notice

INPUT VOLTAGE	INPUT CURRENT	INPUT WATTS	OUTPUT POWER WATTS MAX	OUTPUT VOLTAGE	OUTPUT CURRENT AMPS	MODEL
120	0.15A	11	9	8 to 13V	0.7A	NU700C9WSM
277	0.06A					

### LIMITED WARRANTY

5 YEAR at maximum case temperature 75 deg C. 3 YEAR at maximum case temperature 90 deg C. Manufacturer warrants to the purchaser: Product will be free from defects in material or workmanship from the date of manufacture conditioned upon proper storage, installation, use, and maintenance and conformance with any recommendations of Manufacturer



Case Size Series D2

L	W	H	ML
107	36	29	99mm
4.21	1.42	1.14	3.9inch

Lead Length

Colour	inch	cm
Black	6	15.2
White	6	15.2
Blue	6	15.2
Red	6	15.2



**WARNING:** Always Disconnect Power Before Handling. Case Should be Grounded. Install in Accordance with National and Local Electrical Codes

# LED DRIVER Single Output Circuit

Output Range 11V to 17V Constant Current **700mA** Max **12W**

Small Case Size with leads

Universal Voltage 120-277V Electronic Constant Current LED Driver Output Range of 11V to 17V for Single Output circuit 12W maximum.

## Technical Specification:

Class 2 UL, CUL Recognized, ROHS Compliant  
 EMI FCC Part 15, Class A  
 Rating: IP 65 Damp, Dry  
 Output Open/Short Protection  
 Min. Starting Temp: - 40° C  
 Max. Case Temp: 90° C  
 Typical Efficiency: 80%

Input Voltage range:  $\pm 10\%$   
 Output Load range  $\pm 5\%$   
 Input Frequency: 50/60HZ  
 THD: < 30%  
 Power Factor Min: 0.90  
 Remote Wiring Distance Full Load: 18AWG - 18 ft

Case Size: Series D2

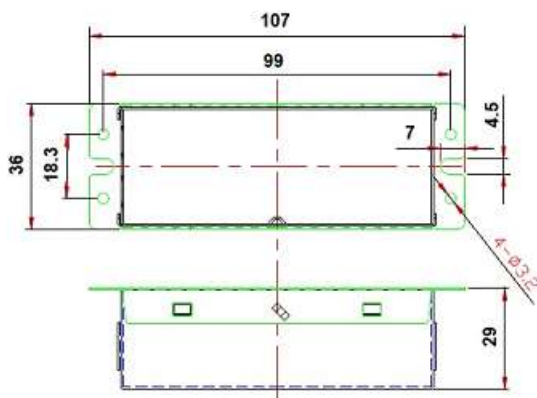
Due to continuing efforts to offer improved products all specifications are subject to change without prior notice

4/10/17

INPUT VOLTAGE	INPUT CURRENT	INPUT WATTS	OUTPUT POWER WATTS MAX	OUTPUT VOLTAGE	OUTPUT CURRENT AMPS	MODEL
120	0.14A	15.5	12	11 to 17V	0.7A	NU700C12WSM
277	0.06A					

### LIMITED WARRANTY

5 YEAR at maximum case temperature 75 deg C. 3 YEAR at maximum case temperature 90 deg C. Manufacturer warrants to the purchaser: Product will be free from defects in material or workmanship from the date of manufacture conditioned upon proper storage, installation, use, and maintenance and conformance with any recommendations of Manufacturer



Case Size Series D2

L	W	H	ML
107	36	29	99mm
4.21	1.42	1.14	3.9inch

Lead Length

Colour	inch	cm
Black	6	15.2
White	6	15.2
Blue	6	15.2
Red	6	15.2



**WARNING:** Always Disconnect Power Before Handling. Case Should be Grounded. Install in Accordance with National and Local Electrical Codes



# LED DRIVER 17W Single Output Circuit

Output Range 15V to 24V Constant Current **700mA** Max **17W**

Small Case Size

Universal Voltage 120-277V Electronic Constant Current LED Driver Output Range of 15V to 24V for Single Output circuit 17W maximum.

## Technical Specification:

Class 2 UL, CUL Recognized, ROHS Compliant

EMI FCC Part 15 Class A

Rating: IP 65 Damp, Dry

Output Open/Short Protection

Min. Starting Temp: - 40° C

Max. Case Temp: 90° C

Typical Efficiency: 80%

Input Voltage range:  $\pm 10\%$

Output Load range  $\pm 5\%$

Input Frequency: 50/60HZ

THD: < 20%

Power Factor Min: 0.90

Remote Wiring Distance Full Load: 18AWG -18 ft

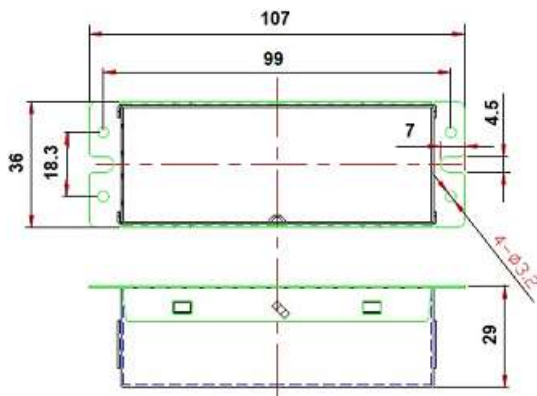
Case Size: Series D2

Due to continuing efforts to offer improved products all specifications are subject to change without prior notice

INPUT VOLTAGE	INPUT CURRENT	INPUT WATTS	OUTPUT POWER WATTS MAX	OUTPUT VOLTAGE	OUTPUT CURRENT AMPS	MODEL
120	0.18A	21	17	15 to 24V	0.7A	NU700C17WSM
277	0.08A					

### LIMITED WARRANTY

5 YEAR at maximum case temperature 75 deg C. 3 YEAR at maximum case temperature 90 deg C. Manufacturer warrants to the purchaser: Product will be free from defects in material or workmanship from the date of manufacture conditioned upon proper storage, installation, use, and maintenance and conformance with any recommendations of Manufacturer

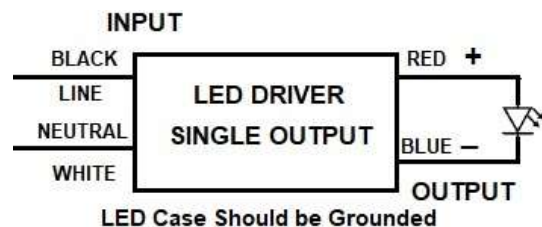


Case Size Series D2

L	W	H	ML
107	36	29	99mm
4.21	1.42	1.14	3.9inch

Lead Length

Colour	inch	cm
Black	6	15.2
White	6	15.2
Blue	6	15.2
Red	6	15.2



**WARNING:** Always Disconnect Power Before Handling. Case Should be Grounded. Install in Accordance with National and Local Electrical Codes

901 - 3rd Street West, North Vancouver, BC V7P 3P9 Canada

TEL: 604-904-9533

www.sagedrivers.com www.sagelighting.com

*Sage  
Lighting Ltd.*

# LED DRIVER Single Output Circuit

Output Range 17V to 28V Constant Current **700mA** Max **20W**

Compact Case with leads

Universal Voltage 120-277V Electronic Constant Current LED Driver Output Range of 17V to 28V for Single Output circuit 20W maximum.

## Technical Specification:

Class 2 UL, CUL Recognized, ROHS Compliant  
 EMI FCC Part 15, Class A  
 Rating: IP 65 Damp, Dry  
 Output Open/Short Protection  
 Min. Starting Temp: - 40° C  
 Max. Case Temp: 90° C  
 Typical Efficiency: 80%

Input Voltage range:  $\pm 10\%$   
 Output Load range  $\pm 5\%$   
 Input Frequency: 50/60HZ  
 THD: < 20%  
 Power Factor Min: 0.90  
 Remote Wiring Distance Full Load: 18AWG -18 ft

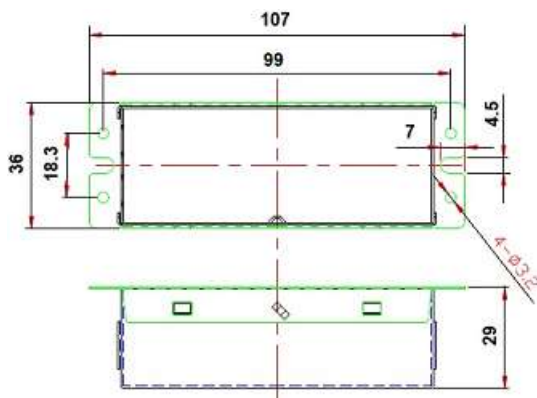
Case Size: Series D2

Due to continuing efforts to offer improved products all specifications are subject to change without prior notice

INPUT VOLTAGE	INPUT CURRENT	INPUT WATTS	OUTPUT POWER WATTS MAX	OUTPUT VOLTAGE	OUTPUT CURRENT AMPS	MODEL
120	0.21A	25	20	17 to 28V	0.7A	NU700C20WSM
277	0.10A					

### LIMITED WARRANTY

5 YEAR at maximum case temperature 75 deg C. 3 YEAR at maximum case temperature 90 deg C. Manufacturer warrants to the purchaser: Product will be free from defects in material or workmanship from the date of manufacture conditioned upon proper storage, installation, use, and maintenance and conformance with any recommendations of Manufacturer



Case Size Series D2

L	W	H	ML
107	36	29	99mm
4.21	1.42	1.14	3.9inch

Lead Length

Colour	inch	cm
Black	6	15.2
White	6	15.2
Blue	6	15.2
Red	6	15.2

**WARNING:** Always Disconnect Power Before Handling. Case Should be Grounded. Install in Accordance with National and Local Electrical Codes

# LED DRIVER Single Output Circuit

Output Range 36V to 60V Constant Current **700mA** Max **42W**

Small Case Size with leads

Universal Voltage 120-277V Electronic Constant Current LED Driver Output Range of 36V to 60V for Single Output circuit 42W maximum.

## Technical Specification:

Class 2 UL, CUL LVLE, ROHS Compliant  
 EMI FCC Part 15, Class A  
 Rating: IP 65 Damp, Dry  
 Output Open/Short Protection  
 Min. Starting Temp: - 40° C  
 Max. Case Temp: 90° C  
 Typical Efficiency: 86%

Input Voltage range:  $\pm 10\%$   
 Output Load range  $\pm 5\%$   
 Input Frequency: 50/60HZ  
 THD: < 20%  
 Power Factor Min: 0.90  
 Remote Wiring Distance Full Load: 18AWG -18 ft

Case Size: Series C4S

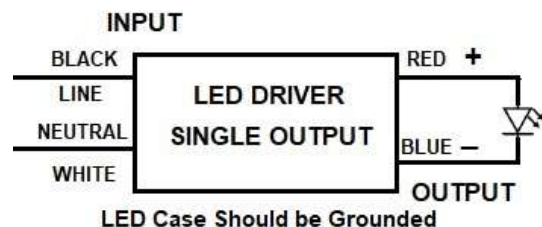
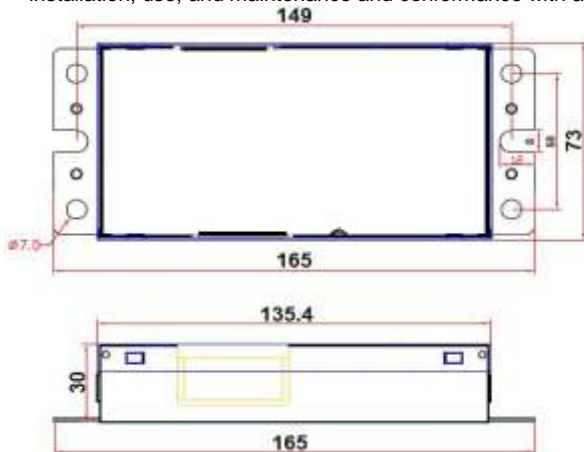
Due to continuing efforts to offer improved products all specifications are subject to change without prior notice

05/5/18

INPUT VOLTAGE	INPUT CURRENT	INPUT WATTS	OUTPUT POWER WATTS MAX	OUTPUT VOLTAGE	OUTPUT CURRENT AMPS	MODEL
120	0.44A	49	42	36 to 60V	0.7A	NU700C42WS
277	0.19A					

### LIMITED WARRANTY

5 YEAR at maximum case temperature 75 deg C. 3 YEAR at maximum case temperature 90 deg C. Manufacturer warrants to the purchaser: Product will be free from defects in material or workmanship from the date of manufacture conditioned upon proper storage, installation, use, and maintenance and conformance with any recommendations of Manufacturer



Case Size Series C4S

L	W	H	ML
165	73	30	149mm
6.5	2.87	1.18	5.9inch

Lead Length

Colour	inch	cm
Black	6	15.2
White	6	15.2
Blue	6	15.2
Red	6	15.2

**WARNING:** Always Disconnect Power Before Handling. Case Should be Grounded. Install in Accordance with National and Local Electrical Codes

# LED DRIVER Single Output Circuit

Output Range 43V to 71V Constant Current **700mA** Max **50W**

Universal Voltage 120-277V Electronic Constant Current LED Driver Output Range of 43V to 71V for Single Output circuit 50W maximum.

## Technical Specification:

UL, CUL Recognized, ROHS Compliant  
 EMI FCC Part 15, Class A  
 Rating: IP 65 Damp, Dry  
 Output Open/Short Protection  
 Min. Starting Temp: - 40° C  
 Max. Case Temp: 90° C  
 Typical Efficiency: 85%

Input Voltage range:  $\pm 10\%$   
 Output Load range  $\pm 5\%$   
 Input Frequency: 50/60HZ  
 THD: < 20%  
 Power Factor Min: 0.95  
 Remote Wiring Distance Full Load: 18AWG -18 ft

Case Size: Series MU2

Due to continuing efforts to offer improved products all specifications are subject to change without prior notice

INPUT VOLTAGE	INPUT CURRENT	INPUT WATTS	OUTPUT POWER WATTS MAX	OUTPUT VOLTAGE DC	OUTPUT CURRENT AMPS	MODEL
120	0.50A	58	50	43 to 71V	0.7A	NU700C50WRS
277	0.22A					

### LIMITED WARRANTY

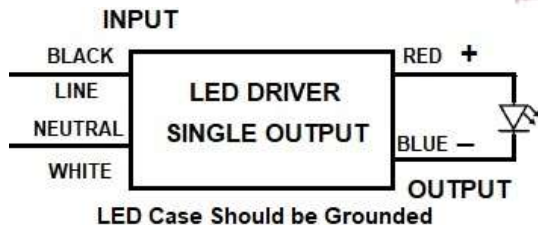
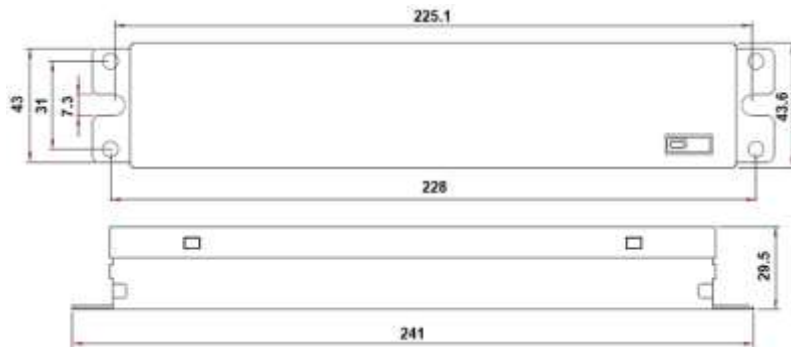
5 YEAR at maximum case temperature 75 deg C. 3 YEAR at maximum case temperature 90 deg C. Manufacturer warrants to the purchaser: Product will be free from defects in material or workmanship from the date of manufacture conditioned upon proper storage, installation, use, and maintenance and conformance with any recommendations of Manufacturer

### Lead Length

Colour	inch	cm
Black	6	15.2
White	6	15.2
Blue	6	15.2
Red	6	15.2

### Case Size Series MU2

L	W	H	ML
241	43	29.5	226mm
9.5	1.7	1.2	8.9 inch



**WARNING:** Always Disconnect Power Before Handling. Case Should be Grounded. Install in Accordance with National and Local Electrical Codes

# LED DRIVER Single Output Circuit

Output Range 43V to 71V Constant Current **700mA** Max **50W**

Small Case Size with leads

Universal Voltage 120-277V Electronic Constant Current LED Driver Output Range of 43V to 71V for Single Output circuit 50W maximum.

## Technical Specification:

UL, CUL Recognized, ROHS Compliant

EMI FCC Part 15, Class A

Rating: IP 65 Damp, Dry

Output Open/Short Protection

Min. Starting Temp: - 40° C

Max. Case Temp: 90° C

Typical Efficiency: 85%

Input Voltage range:  $\pm 10\%$

Output Load range  $\pm 5\%$

Input Frequency: 50/60HZ

THD: < 20%

Power Factor Min: 0.90

Remote Wiring Distance Full Load: 18AWG -18 ft

Case Size: Series C4S

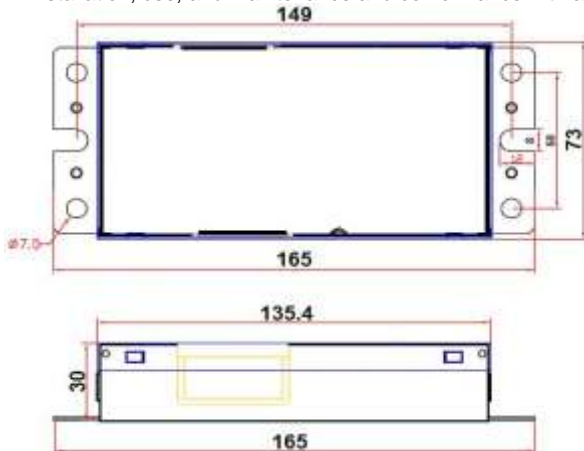
Due to continuing efforts to offer improved products all specifications are subject to change without prior notice

5/7/22

INPUT VOLTAGE	INPUT CURRENT	INPUT WATTS	OUTPUT POWER WATTS MAX	OUTPUT VOLTAGE DC	OUTPUT CURRENT AMPS	MODEL
120	0.50A	58	50	43 to 71V	0.7A	NU700C50WS
277	0.22A					

### LIMITED WARRANTY

5 YEAR at maximum case temperature 75 deg C. 3 YEAR at maximum case temperature 90 deg C. Manufacturer warrants to the purchaser: Product will be free from defects in material or workmanship from the date of manufacture conditioned upon proper storage, installation, use, and maintenance and conformance with any recommendations of Manufacturer



Case Size Series C4S

L	W	H	ML
165	73	30	149mm
6.5	2.87	1.18	5.9inch

Lead Length

Colour	inch	cm
Black	6	15.2
White	6	15.2
Blue	6	15.2
Red	6	15.2



**WARNING:** Always Disconnect Power Before Handling. Case Should be Grounded. Install in Accordance with National and Local Electrical Codes

901 - 3rd Street West, North Vancouver, BC V7P 3P9 Canada

TEL: 604-904-9533

www.sagedrivers.com www.sagelighting.com

*Sage  
Lighting Ltd.*

# LED DRIVER Single Output Circuit

Output Range 8V to 14V Constant Current **900mA** Max **12.6W**

Small Case Size

Universal Voltage 120-277V Electronic Constant Current LED Driver Output Range of 8V to 14V for Single Output circuit 12.6W maximum.

## Technical Specification:

Class 2 UL, CUL Recognized, ROHS Compliant  
 EMI FCC Part 15, Class A  
 Rating: IP 65 Damp, Dry  
 Output Open/Short Protection  
 Min. Starting Temp: - 40° C  
 Max. Case Temp: 90° C  
 Typical Efficiency: 82%

Input Voltage range:  $\pm 10\%$   
 Output Load range:  $\pm 5\%$   
 Input Frequency: 50/60HZ  
 THD: < 20%  
 Power Factor Min: 0.90  
 Remote Wiring Distance Full Load: 18AWG -18 ft

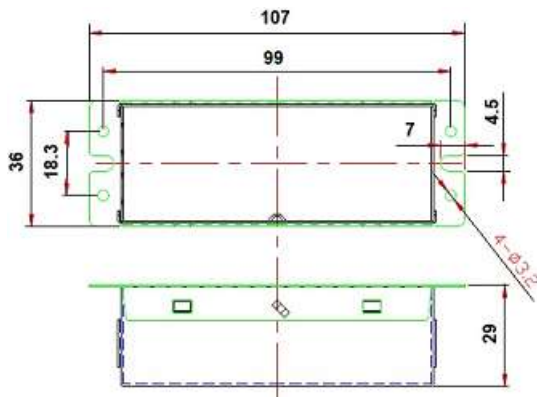
Case Size: Series D2

Due to continuing efforts to offer improved products all specifications are subject to change without prior notice

INPUT VOLTAGE	INPUT CURRENT	INPUT WATTS	OUTPUT POWER WATTS MAX	OUTPUT VOLTAGE	OUTPUT CURRENT AMPS	MODEL
120	0.29A	15.4	12.6	8 to 14V	0.9A	NU900C13WSM
277	0.13A					

### LIMITED WARRANTY

5 YEAR at maximum case temperature 75 deg C. 3 YEAR at maximum case temperature 90 deg C. Manufacturer warrants to the purchaser: Product will be free from defects in material or workmanship from the date of manufacture conditioned upon proper storage, installation, use, and maintenance and conformance with any recommendations of Manufacturer



Case Size Series D2

L	W	H	ML
107	36	29	99mm
4.21	1.42	1.14	3.9inch

Lead Length

Colour	inch	cm
Black	6	15.2
White	6	15.2
Blue	6	15.2
Red	6	15.2



**WARNING:** Always Disconnect Power Before Handling. Case Should be Grounded. Install in Accordance with National and Local Electrical Codes

# LED DRIVER 5W Single Output Circuit

Output Range 3V to 5V Constant Current **1050mA** Max **5W**  
Small Case Size

Universal Voltage 120-277V Electronic Constant Current LED Driver Output Range of 3V to 5V for Single Output circuit 5W maximum.

## Technical Specification:

Class 2 UL, CUL Recognized, ROHS Compliant  
EMI FCC Part 15, Class A  
Rating: IP 65 Damp, Dry  
Output Open/Short Protection  
Min. Starting Temp: -40° C  
Max. Case Temp: 90° C  
Typical Efficiency: 75%

Input Voltage range:  $\pm 10\%$   
Output Load range:  $\pm 5\%$   
Input Frequency: 50/60HZ  
THD: < 20%  
Power Factor Min: 0.90  
Remote Wiring Distance Full Load: 18AWG -18 ft

Case Size: Series D2

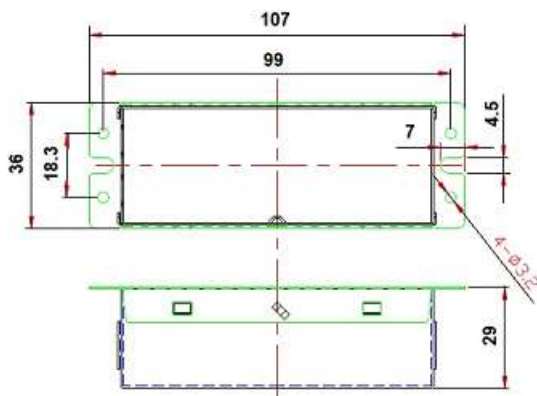
Due to continuing efforts to offer improved products all specifications are subject to change without prior notice

R03/01/15

INPUT VOLTAGE	INPUT CURRENT	INPUT WATTS	OUTPUT POWER WATTS MAX	OUTPUT VOLTAGE	OUTPUT CURRENT AMPS	MODEL
120	0.07A	7	5	3V to 5V	1.05A	NU1050C5WSM
277	0.03A					

### LIMITED WARRANTY

5 YEAR at maximum case temperature 75 deg C. 3 YEAR at maximum case temperature 90 deg C. Manufacturer warrants to the purchaser: Product will be free from defects in material or workmanship from the date of manufacture conditioned upon proper storage, installation, use, and maintenance and conformance with any recommendations of Manufacturer

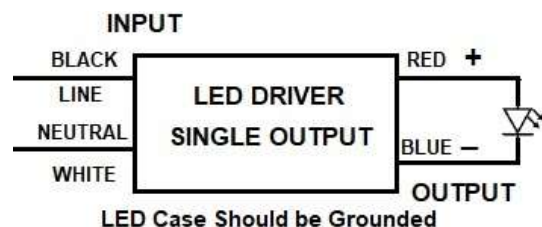


Case Size Series D2

L	W	H	ML
107	36	29	99mm
4.21	1.42	1.14	3.9inch

Lead Length

Colour	inch	cm
Black	6	15.2
White	6	15.2
Blue	6	15.2
Red	6	15.2



**WARNING:** Always Disconnect Power Before Handling. Case Should be Grounded. Install in Accordance with National and Local Electrical Codes

# LED DRIVER Single Output Circuit

Output Range 7V to 11V Constant Current **1050mA** Max **12W**  
Small Case Size

Universal Voltage 120-277V Electronic Constant Current LED Driver Output Range of 7V to 11V for Single Output circuit 12W maximum.

## Technical Specification:

Class 2 UL, CUL Recognized, ROHS Compliant  
EMI FCC Part 15, Class A  
Rating: IP 65 Damp, Dry  
Output Open/Short Protection  
Min. Starting Temp: - 40° C  
Max. Case Temp: 90° C  
Typical Efficiency: 76%

Input Voltage range:  $\pm 10\%$   
Output Load range  $\pm 5\%$   
Input Frequency: 50/60HZ  
THD: < 20%  
Power Factor Min: 0.90  
Remote Wiring Distance Full Load: 18AWG -18 ft

Case Size: Series D2

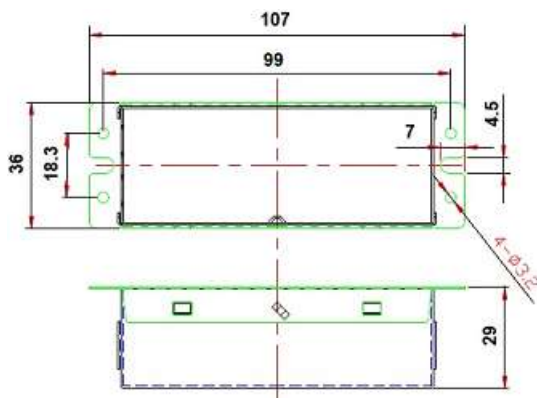
Due to continuing efforts to offer improved products all specifications are subject to change without prior notice

R03/01/15

INPUT VOLTAGE	OUTPUT POWER WATTS MAX	INPUT CURRENT	INPUT WATTS	OUTPUT VOLTAGE	OUTPUT CURRENT AMPS	MODEL
120	12	0.12A	15.5	7V to 11V	1.05A	NU1050C12WSM
277		0.06A				

### LIMITED WARRANTY

5 YEAR at maximum case temperature 75 deg C. 3 YEAR at maximum case temperature 90 deg C. Manufacturer warrants to the purchaser: Product will be free from defects in material or workmanship from the date of manufacture conditioned upon proper storage, installation, use, and maintenance and conformance with any recommendations of Manufacturer



Case Size Series D2

L	W	H	ML
107	36	29	99mm
4.21	1.42	1.14	3.9inch

Lead Length

Colour	inch	cm
Black	6	15.2
White	6	15.2
Blue	6	15.2
Red	6	15.2



**WARNING:** Always Disconnect Power Before Handling. Case Should be Grounded. Install in Accordance with National and Local Electrical Codes



# LED DRIVER 158W Single Output Circuit

## Output Range 86V to 144V Constant Current **1100mA** Max **158W**

Universal Voltage 120-277V Electronic Constant Current 1100mA LED Driver. Output Range of 86V to 144V for Single circuit 158W maximum.

### Technical Specification:

UL, CUL Recognized, ROHS Compliant  
 EMI FCC Part 15, Class A  
 Rating: IP 65 Damp, Dry  
 Output Open/Short Protection  
 Min. Starting Temp: - 40° C  
 Max. Case Temp: 90° C  
 Typical Efficiency: 89%

Input Voltage range:  $\pm 10\%$   
 Output Load range:  $\pm 5\%$   
 Input Frequency: 50/60HZ  
 THD: < 20%  
 Power Factor Min: 0.90  
 Remote Wiring Distance Full Load: 18AWG - 18 ft

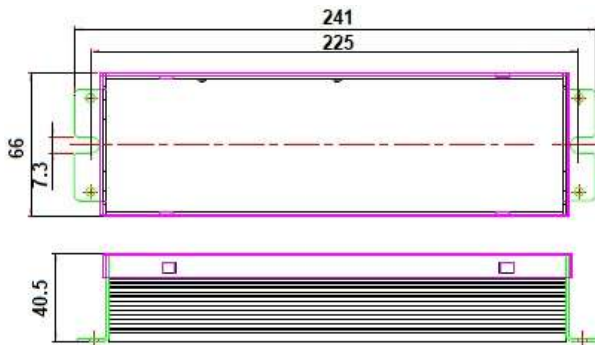
**Case Size: Series FS5**

Due to continuing efforts to offer improved products all specifications are subject to change without prior notice

INPUT VOLTAGE	INPUT CURRENT	INPUT WATTS	OUTPUT POWER WATTS MAX	OUTPUT VOLTAGE	OUTPUT CURRENT AMPS	MODEL
120V-277V	1.78A - 0.78A	178	158	86 to 144V	1.1A	<b>NU1100C158WS</b>

#### LIMITED WARRANTY

5 YEAR at maximum case temperature 75 deg C. 3 YEAR at maximum case temperature 90 deg C. Manufacturer warrants to the purchaser: Product will be free from defects in material or workmanship from the date of manufacture conditioned upon proper storage, installation, use, and maintenance and conformance with any recommendations of Manufacturer



L	W	H	ML
241	66	40.5	226mm
9.5	2.6	1.6	8.9inch

Colour	inch	cm
Black	6	15.2
White	6	15.2
Blue	6	15.2
Red	6	15.2

**WARNING:** Always Disconnect Power Before Handling. Case Should be Grounded. Install in Accordance with National and Local Electrical Codes

# LED DRIVER Single Output Circuit

Output Range 27V to 45V Constant Current **2000mA** Max **90W**

Universal Voltage 120-277V Electronic Constant Current LED Driver Output Range of 27V to 45V for Single Output circuit 90W maximum.

## Technical Specification:

Class 2 UL, CUL Recognized, ROHS Compliant  
 EMI FCC Part 15, Class A  
 Rating: IP 65 Damp, Dry  
 Output Open/Short Protection  
 Min. Starting Temp: - 40° C  
 Max. Case Temp: 90° C  
 Typical Efficiency: 85%

Input Voltage range:  $\pm 10\%$   
 Output Load range  $\pm 5\%$   
 Input Frequency: 50/60HZ  
 THD: < 20%  
 Power Factor Min: 0.90  
 Remote Wiring Distance Full Load: 18AWG -18 ft

Case Size: Series MU2

Due to continuing efforts to offer improved products all specifications are subject to change without prior notice

INPUT VOLTAGE	INPUT CURRENT	INPUT WATTS	OUTPUT POWER WATTS MAX	OUTPUT VOLTAGE DC	OUTPUT CURRENT AMPS	MODEL
120	0.95A	105	90	27 to 45V	2.0A	NU2000C90WS
277	0.41A					

### LIMITED WARRANTY

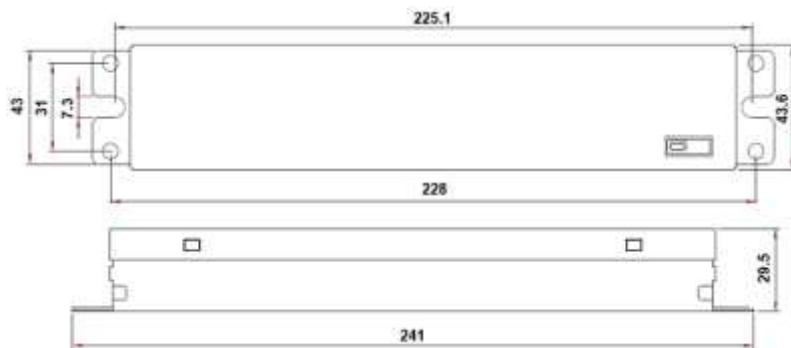
5 YEAR at maximum case temperature 75 deg C. 3 YEAR at maximum case temperature 90 deg C. Manufacturer warrants to the purchaser: Product will be free from defects in material or workmanship from the date of manufacture conditioned upon proper storage, installation, use, and maintenance and conformance with any recommendations of Manufacturer

### Lead Length

Colour	inch	cm
Black	6	15.2
White	6	15.2
Blue	6	15.2
Red	6	15.2

### Case Size Series MU2

L	W	H	ML
241	43	29.5	226mm
9.5	1.7	1.2	8.9 inch



**WARNING:** Always Disconnect Power Before Handling. Case Should be Grounded. Install in Accordance with National and Local Electrical Codes

# LED DRIVER Single Output Circuit

Output Range 15V to 25V Constant Current **3150mA** Max **79W**

Universal Voltage 120-277V Electronic Constant Current LED Driver. Output Range of 15V to 25V for Single Output circuit 79W maximum.

## Technical Specification:

Class 2 UL, CUL Recognized, ROHS Compliant  
 EMI FCC Part 15, Class A  
 Rating: IP 65 Damp, Dry  
 Output Open/Short Protection  
 Min. Starting Temp: - 40° C  
 Max. Case Temp: 90° C  
 Typical Efficiency: 87%

Input Voltage range:  $\pm 10\%$   
 Output Load range  $\pm 5\%$   
 Input Frequency: 50/60HZ  
 THD: < 20%  
 Power Factor Min: 0.90  
 Remote Wiring Distance Full Load: 18AWG -18 ft

Case Size: Series MU2

Due to continuing efforts to offer improved products all specifications are subject to change without prior notice

INPUT VOLTAGE	INPUT CURRENT	INPUT WATTS	OUTPUT POWER WATTS MAX	OUTPUT VOLTAGE	OUTPUT CURRENT AMPS	MODEL
120	1.45A	91	79	15 to 25V	3.15A	NU3150C79WS
277	0.64A					

### LIMITED WARRANTY

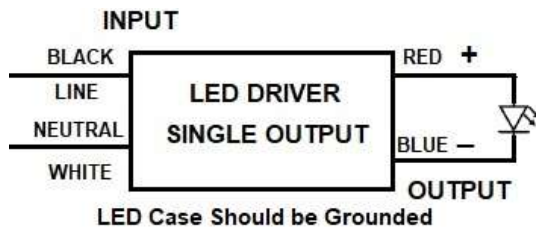
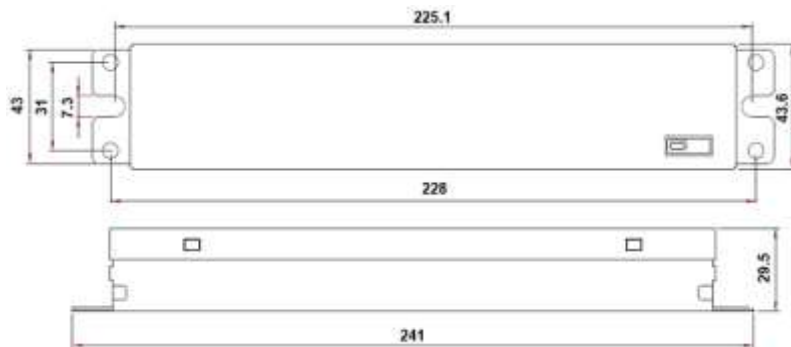
5 YEAR at maximum case temperature 75 deg C. 3 YEAR at maximum case temperature 90 deg C. Manufacturer warrants to the purchaser: Product will be free from defects in material or workmanship from the date of manufacture conditioned upon proper storage, installation, use, and maintenance and conformance with any recommendations of Manufacturer

### Lead Length

Colour	inch	cm
Black	6	15.2
White	6	15.2
Blue	6	15.2
Red	6	15.2

### Case Size Series MU2

L	W	H	ML
241	43	29.5	226mm
9.5	1.7	1.2	8.9 inch



**WARNING:** Always Disconnect Power Before Handling. Case Should be Grounded. Install in Accordance with National and Local Electrical Codes

# LED DRIVER Single Output Circuit

Output Range 29V to 48V Constant Current **3900mA** Max **187W**

Universal Voltage 120-277V Electronic Constant Current LED Driver. Output Range of 29V to 48V for Single circuit 187W maximum.

## Technical Specification:

UL, CUL Recognized, ROHS Compliant

EMI FCC Part 15, Class A

Rating: IP 65 Damp, Dry

Output Open/Short Protection

Min. Starting Temp: - 40° C

Max. Case Temp: 90° C

Typical Efficiency: 87%

Input Voltage range:  $\pm 10\%$

Output Load range  $\pm 5\%$

Input Frequency: 50/60HZ

THD: < 20%

Power Factor Min: 0.90

Remote Wiring Distance Full Load: 18AWG -18 ft

Case Size: Series FS5

Due to continuing efforts to offer improved products all specifications are subject to change without prior notice

INPUT VOLTAGE	INPUT CURRENT AMPS	INPUT POWER WATTS	OUTPUT POWER WATTS	OUTPUT VOLTAGE	OUTPUT CURRENT AMPS	MODEL
120	1.78A	214	187	29 to 48V	3.9A	NU3900C187WS
277	0.78A					

### LIMITED WARRANTY

5 YEAR at maximum case temperature 75 deg C. 3 YEAR at maximum case temperature 90 deg C. Manufacturer warrants to the purchaser: Product will be free from defects in material or workmanship from the date of manufacture conditioned upon proper storage, installation, use, and maintenance and conformance with any recommendations of Manufacturer



Case Size Series FS5			
L	W	H	ML
241	66	40.5	226mm
9.5	2.6	1.6	8.9inch

Lead Length		
Colour	inch	cm
Black	6	15.2
White	6	15.2
Blue	6	15.2
Red	6	15.2

**WARNING:** Always Disconnect Power Before Handling. Case Should be Grounded. Install in Accordance with National and Local Electrical Codes

901 - 3rd Street West, North Vancouver, BC V7P 3P9 Canada

TEL: 604-904-9533

www.sagedrivers.com www.sagelighting.com

*Sage  
Lighting Ltd.*

# Sage

## **120-277V & 347V** **Dimmable** **Fixed Current Circular (UFO)** **LED Drivers**

Sage offers a large selection of 120-277V Dimmable fixed Current Circular (UFO) LED Drivers are IP66 rated. These drivers are designed for a select group of OEM Fixture manufactures. These drivers provide flexibility and choices for Fixture Manufacturers to offer a unique range of luminaires.

It is also easy to combine into common dimming systems accessible in commercial applications.

Output Current: from 1600mA to 6700mA



# 347V CIRCULAR LED DRIVER 100W 0-10V Dimming

## UFO Output Range 36V to 60V Constant Current **1600mA** Max **100W**

347V Electronic Constant Current Circular Enclosure LED Driver 0-10V Dimming. Output Range of 36V to 60V for Single circuit 100W maximum.

### Technical Specification:

UL, CUL Certified, ROHS Compliant  
 EMI FCC Part 15, Class A  
 Rating: IP 65 Type HL Surge: 2KV  
 Output Open/Short Protection  
 Min. Starting Temp: - 40° C  
 Max. Case Temp: 90° C  
 Typical Efficiency: 89%

Input Voltage range:  $\pm 10\%$   
 Output Load range:  $\pm 5\%$   
 Input Frequency: 50/60HZ  
 THD: < 20%  
 Power Factor Min: 0.90  
 Remote Wiring Distance Full Load: 18AWG -18 ft

Case Size: Series UF1

Due to continuing efforts to offer improved products all specifications are subject to change without prior notice

INPUT VOLTAGE	INPUT CURRENT	INPUT WATTS	OUTPUT POWER WATTS MAX	OUTPUT VOLTAGE	OUTPUT CURRENT AMPS	MODEL
347V	0.33A	115	100	36 to 60V	1.6A	UNC1600C100WSD

#### LIMITED WARRANTY

5 YEAR at maximum case temperature 75 deg C. 3 YEAR at maximum case temperature 90 deg C. Manufacturer warrants to the purchaser: Product will be free from defects in material or workmanship from the date of manufacture conditioned upon proper storage, installation, use, and maintenance and conformance with any recommendations of Manufacturer

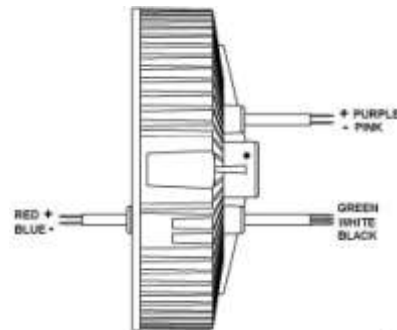
#### Lead Length

Colour	inch	cm
Black	11.8	30
White	11.8	30
Green	11.8	30
Blue	7.9	20
Red	7.9	20
Pink	7.0	18
Purple	7.0	18

#### 0-10V Dimmer

#### Compatibility Chart

LUTRON	LEVITON
NFTV	DS710-10Z
DVTV-WH	

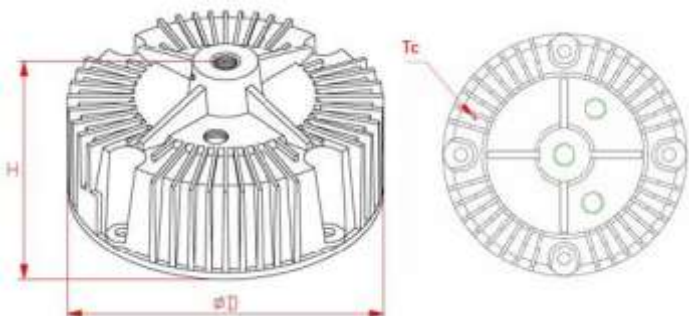


#### Case Size Series UF1

Diameter	Height	ML
132	72	113mm
5.2	2.83	4.45 inch

LED Case Must be Grounded

**WARNING:** Always Disconnect Power Before Handling. Case Should be Grounded. Install in Accordance with National and Local Electrical Codes



# 347V CIRCULAR LED DRIVER 100W 0-10V Dimming

## UFO Output Range 32V to 54V Constant Current **1900mA** Max **100W**

347V Electronic Constant Current Circular Enclosure LED Driver 0-10V Dimming. Output Range of 32V to 54V for Single circuit 100W maximum.

### Technical Specification:

UL, CUL Certified, ROHS Compliant  
 EMI FCC Part 15, Class A  
 Rating: IP 65 Type HL Surge: 2KV  
 Output Open/Short Protection  
 Min. Starting Temp: - 40° C  
 Max. Case Temp: 90° C  
 Typical Efficiency: 89%

Input Voltage range:  $\pm 10\%$   
 Output Load range:  $\pm 5\%$   
 Input Frequency: 50/60HZ  
 THD: < 20%  
 Power Factor Min: 0.90  
 Remote Wiring Distance Full Load: 18AWG -18 ft

**Case Size: Series UF1**

Due to continuing efforts to offer improved products all specifications are subject to change without prior notice

INPUT VOLTAGE	INPUT CURRENT	INPUT WATTS	OUTPUT POWER WATTS MAX	OUTPUT VOLTAGE	OUTPUT CURRENT AMPS	MODEL
347V	0.33A	114	100	32 to 54V	1.9A	<b>UNC1900C100WSD</b>

#### LIMITED WARRANTY

5 YEAR at maximum case temperature 75 deg C. 3 YEAR at maximum case temperature 90 deg C. Manufacturer warrants to the purchaser: Product will be free from defects in material or workmanship from the date of manufacture conditioned upon proper storage, installation, use, and maintenance and conformance with any recommendations of Manufacturer

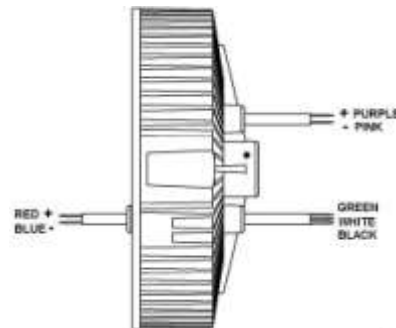
#### Lead Length

Colour	inch	cm
Black	11.8	30
White	11.8	30
Green	11.8	30
Blue	7.9	20
Red	7.9	20
Pink	7.0	18
Purple	7.0	18

#### 0-10V Dimmer

#### Compatibility Chart

LUTRON	LEVITON
NFTV	DS710-10Z
DVTV-WH	

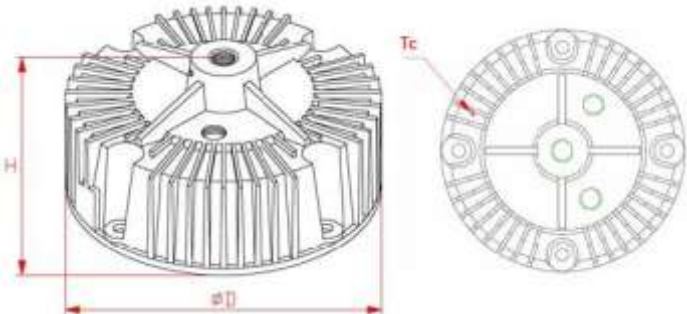


#### Case Size Series UF1

Diameter	Height	ML
132	72	113mm
5.2	2.83	4.45 inch

**LED Case Must be Grounded**

**WARNING:** Always Disconnect Power Before Handling. Case Should be Grounded. Install in Accordance with National and Local Electrical Codes





# 347V CIRCULAR LED DRIVER 160W 0-10V Dimming

## UFO Output Range 36V to 60V Constant Current **2600mA** Max **160W**

347V Electronic Constant Current Circular Enclosure LED Driver 0-10V Dimming. Output Range of 36V to 60V for Single circuit 160W maximum.

### Technical Specification:

UL, CUL Certified, ROHS Compliant  
 EMI FCC Part 15, Class A  
 Rating: IP 65 Type HL Surge: 2KV  
 Output Open/Short Protection  
 Min. Starting Temp: - 40° C  
 Max. Case Temp: 90° C  
 Typical Efficiency: 90%

Input Voltage range:  $\pm 10\%$   
 Output Load range  $\pm 5\%$   
 Input Frequency: 50/60HZ  
 THD: < 20%  
 Power Factor Min: 0.90  
 Remote Wiring Distance Full Load: 18AWG -18 ft

Case Size: Series UF2

Due to continuing efforts to offer improved products all specifications are subject to change without prior notice

INPUT VOLTAGE	INPUT CURRENT	INPUT WATTS	OUTPUT POWER WATTS MAX	OUTPUT VOLTAGE	OUTPUT CURRENT AMPS	MODEL
347V	0.51A	178	160	36 to 60V	2.6A	UNC2600C160WSD

#### LIMITED WARRANTY

5 YEAR at maximum case temperature 75 deg C. 3 YEAR at maximum case temperature 90 deg C. Manufacturer warrants to the purchaser: Product will be free from defects in material or workmanship from the date of manufacture conditioned upon proper storage, installation, use, and maintenance and conformance with any recommendations of Manufacturer

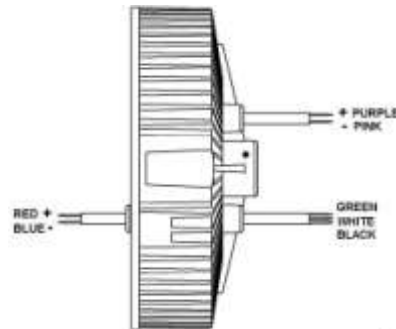
#### Lead Length

Colour	inch	cm
Black	11.8	30
White	11.8	30
Green	11.8	30
Blue	7.9	20
Red	7.9	20
Pink	7.0	18
Purple	7.0	18

#### 0-10V Dimmer

#### Compatibility Chart

LUTRON	LEVITON
NFTV	DS710-10Z
DVTV-WH	

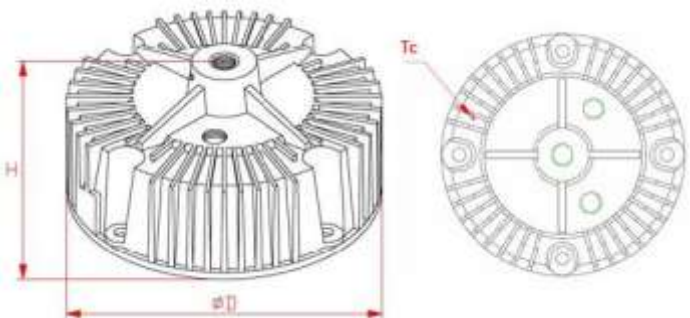


#### Case Size Series UF2

Diameter	Height	ML
152	72	132mm
5.98	2.83	5.2 inch

**LED Case Must be Grounded**

**WARNING:** Always Disconnect Power Before Handling. Case Should be Grounded. Install in Accordance with National and Local Electrical Codes



# 347V CIRCULAR LED DRIVER 100W 0-10V Dimming

## UFO Output Range 22V to 36V Constant Current **2800mA** Max **100W**

347V Electronic Constant Current Circular Enclosure LED Driver 0-10V Dimming. Output Range of 22V to 36V for Single circuit 100W maximum.

### Technical Specification:

UL, CUL Certified, ROHS Compliant  
 EMI FCC Part 15, Class A  
 Rating: IP 65 Type HL Surge: 2KV  
 Output Open/Short Protection  
 Min. Starting Temp: - 40° C  
 Max. Case Temp: 90° C  
 Typical Efficiency: 89%

Input Voltage range:  $\pm 10\%$   
 Output Load range  $\pm 5\%$   
 Input Frequency: 50/60HZ  
 THD: < 20%  
 Power Factor Min: 0.90  
 Remote Wiring Distance Full Load: 18AWG -18 ft

Case Size: Series UF1

Due to continuing efforts to offer improved products all specifications are subject to change without prior notice

INPUT VOLTAGE	INPUT CURRENT	INPUT WATTS	OUTPUT POWER WATTS MAX	OUTPUT VOLTAGE	OUTPUT CURRENT AMPS	MODEL
347V	0.33A	114	100	22 to 36V	2.8A	UNC2800C100WSD

#### LIMITED WARRANTY

5 YEAR at maximum case temperature 75 deg C. 3 YEAR at maximum case temperature 90 deg C. Manufacturer warrants to the purchaser: Product will be free from defects in material or workmanship from the date of manufacture conditioned upon proper storage, installation, use, and maintenance and conformance with any recommendations of Manufacturer

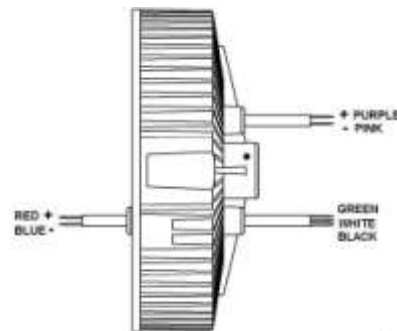
#### Lead Length

Colour	inch	cm
Black	11.8	30
White	11.8	30
Green	11.8	30
Blue	7.9	20
Red	7.9	20
Pink	7.0	18
Purple	7.0	18

#### 0-10V Dimmer

#### Compatibility Chart

LUTRON	LEVITON
NFTV	DS710-10Z
DVTV-WH	

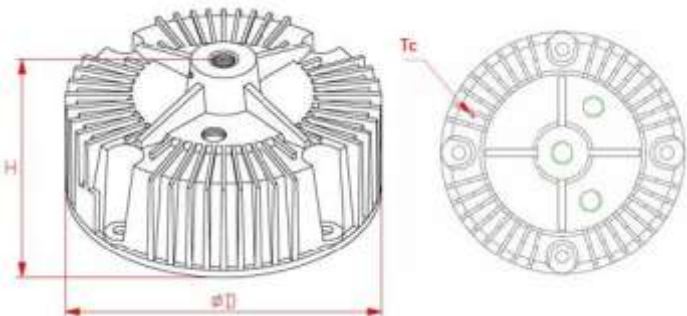


#### Case Size Series UF1

Diameter	Height	ML
132	72	113mm
5.2	2.83	4.45 inch

**LED Case Must be Grounded**

**WARNING:** Always Disconnect Power Before Handling. Case Should be Grounded. Install in Accordance with National and Local Electrical Codes



# 347V CIRCULAR LED DRIVER 160W 0-10V Dimming

## UFO Output Range 32V to 54V Constant Current **3000mA** Max **160W**

347V Electronic Constant Current Circular Enclosure LED Driver 0-10V Dimming. Output Range of 32V to 54V for Single circuit 160W maximum.

### Technical Specification:

UL, CUL Certified, ROHS Compliant  
 EMI FCC Part 15, Class A  
 Rating: IP 65 Type HL Surge: 2KV  
 Output Open/Short Protection  
 Min. Starting Temp: - 40° C  
 Max. Case Temp: 90° C  
 Typical Efficiency: 90%

Input Voltage range:  $\pm 10\%$   
 Output Load range  $\pm 5\%$   
 Input Frequency: 50/60HZ  
 THD: < 20%  
 Power Factor Min: 0.90  
 Remote Wiring Distance Full Load: 18AWG -18 ft

Case Size: Series UF2

Due to continuing efforts to offer improved products all specifications are subject to change without prior notice

INPUT VOLTAGE	INPUT CURRENT	INPUT WATTS	OUTPUT POWER WATTS MAX	OUTPUT VOLTAGE	OUTPUT CURRENT AMPS	MODEL
347V	0.51A	178	160	32 to 54V	3.0A	UNC3000C160WSD

#### LIMITED WARRANTY

5 YEAR at maximum case temperature 75 deg C. 3 YEAR at maximum case temperature 90 deg C. Manufacturer warrants to the purchaser: Product will be free from defects in material or workmanship from the date of manufacture conditioned upon proper storage, installation, use, and maintenance and conformance with any recommendations of Manufacturer

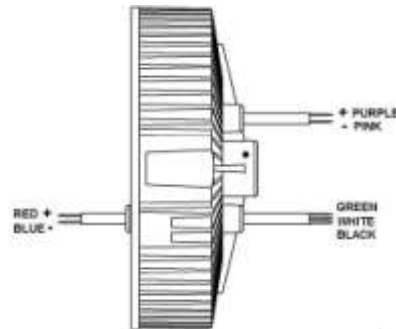
#### Lead Length

Colour	inch	cm
Black	11.8	30
White	11.8	30
Green	11.8	30
Blue	7.9	20
Red	7.9	20
Pink	7.0	18
Purple	7.0	18

#### 0-10V Dimmer

#### Compatibility Chart

LUTRON	LEVITON
NFTV	DS710-10Z
DVTV-WH	

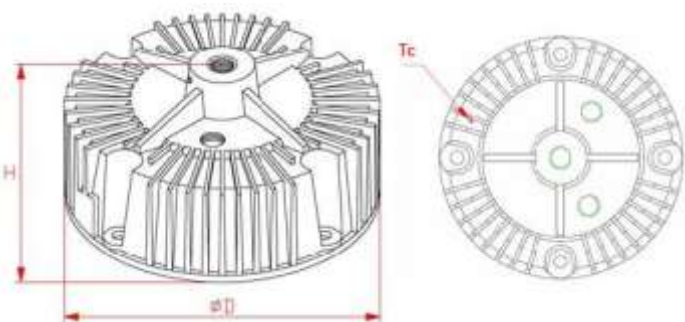


#### Case Size Series UF2

Diameter	Height	ML
152	72	132mm
5.98	2.83	5.2 inch

**LED Case Must be Grounded**

**WARNING:** Always Disconnect Power Before Handling. Case Should be Grounded. Install in Accordance with National and Local Electrical Codes



# 347V CIRCULAR LED DRIVER 160W 0-10V Dimming

## UFO Output Range 29V to 48V Constant Current **3300mA** Max **160W**

347V Electronic Constant Current Circular Enclosure LED Driver 0-10V Dimming. Output Range of 29V to 48V for Single circuit 160W maximum.

### Technical Specification:

UL, CUL Certified, ROHS Compliant  
 EMI FCC Part 15, Class A  
 Rating: IP 65 Type HL Surge: 2KV  
 Output Open/Short Protection  
 Min. Starting Temp: - 40° C  
 Max. Case Temp: 90° C  
 Typical Efficiency: 88%

Input Voltage range:  $\pm 10\%$   
 Output Load range  $\pm 5\%$   
 Input Frequency: 50/60HZ  
 THD: < 20%  
 Power Factor Min: 0.90  
 Remote Wiring Distance Full Load: 18AWG -18 ft

Case Size: Series UF2

Due to continuing efforts to offer improved products all specifications are subject to change without prior notice

INPUT VOLTAGE	INPUT CURRENT	INPUT WATTS	OUTPUT POWER WATTS MAX	OUTPUT VOLTAGE	OUTPUT CURRENT AMPS	MODEL
347V	0.51A	178	160	29 to 48V	3.3A	UNC3300C160WSD

#### LIMITED WARRANTY

5 YEAR at maximum case temperature 75 deg C. 3 YEAR at maximum case temperature 90 deg C. Manufacturer warrants to the purchaser: Product will be free from defects in material or workmanship from the date of manufacture conditioned upon proper storage, installation, use, and maintenance and conformance with any recommendations of Manufacturer

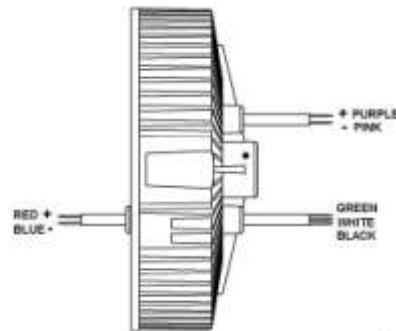
#### Lead Length

Colour	inch	cm
Black	11.8	30
White	11.8	30
Green	11.8	30
Blue	7.9	20
Red	7.9	20
Pink	7.0	18
Purple	7.0	18

#### 0-10V Dimmer

#### Compatibility Chart

LUTRON	LEVITON
NFTV	DS710-10Z
DVTV-WH	

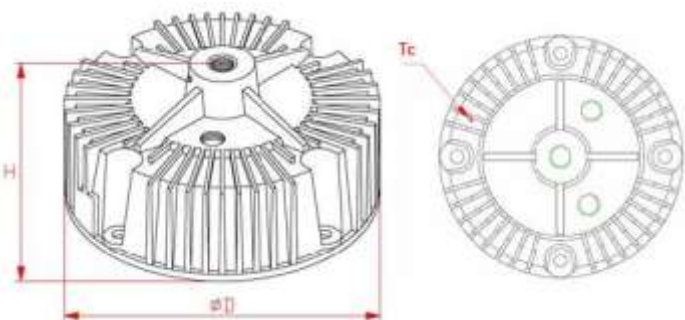


#### Case Size Series UF2

Diameter	Height	ML
152	72	132mm
5.98	2.83	5.2 inch

LED Case Must be Grounded

**WARNING:** Always Disconnect Power Before Handling. Case Should be Grounded. Install in Accordance with National and Local Electrical Codes



# 347V CIRCULAR LED DRIVER 200W 0-10V Dimming

## UFO Output Range 36V to 60V Constant Current **3400mA** Max **200W**

347V Electronic Constant Current Circular Enclosure LED Driver 0-10V Dimming. Output Range of 36V to 60V for Single circuit 200W maximum.

### Technical Specification:

UL, CUL Certified, ROHS Compliant  
 EMI FCC Part 15, Class A  
 Rating: IP 65 Type HL Surge: 2KV  
 Output Open/Short Protection  
 Min. Starting Temp: - 40° C  
 Max. Case Temp: 90° C  
 Typical Efficiency: 90%

Input Voltage range:  $\pm 10\%$   
 Output Load range:  $\pm 5\%$   
 Input Frequency: 50/60HZ  
 THD: < 20%  
 Power Factor Min: 0.90  
 Remote Wiring Distance Full Load: 18AWG -18 ft

**Case Size: Series UF2**

Due to continuing efforts to offer improved products all specifications are subject to change without prior notice

INPUT VOLTAGE	INPUT CURRENT	INPUT WATTS	OUTPUT POWER WATTS MAX	OUTPUT VOLTAGE	OUTPUT CURRENT AMPS	MODEL
347V	0.64A	225	200	36 to 60V	3.4A	<b>UNC3400C200WSD</b>

#### LIMITED WARRANTY

5 YEAR at maximum case temperature 75 deg C. 3 YEAR at maximum case temperature 90 deg C. Manufacturer warrants to the purchaser: Product will be free from defects in material or workmanship from the date of manufacture conditioned upon proper storage, installation, use, and maintenance and conformance with any recommendations of Manufacturer

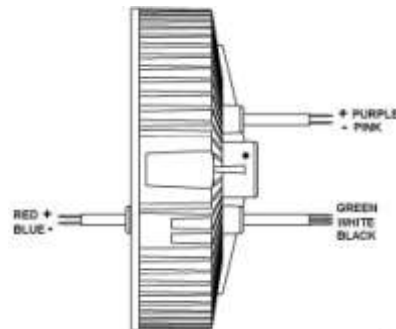
#### Lead Length

Colour	inch	cm
Black	11.8	30
White	11.8	30
Green	11.8	30
Blue	7.9	20
Red	7.9	20
Pink	7.0	18
Purple	7.0	18

#### 0-10V Dimmer

#### Compatibility Chart

LUTRON	LEVITON
NFTV	DS710-10Z
DVTV-WH	

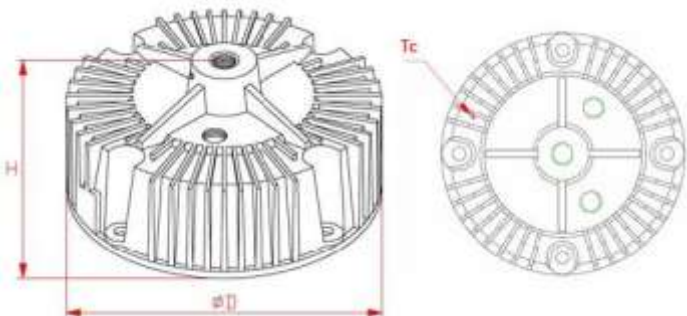


#### Case Size Series UF2

Diameter	Height	ML
152	72	132mm
5.98	2.83	5.2 inch

**LED Case Must be Grounded**

**WARNING:** Always Disconnect Power Before Handling. Case Should be Grounded. Install in Accordance with National and Local Electrical Codes



# 347V CIRCULAR LED DRIVER 200W 0-10V Dimming

## UFO Output Range 32V to 54V Constant Current **3700mA** Max **200W**

347V Electronic Constant Current Circular Enclosure LED Driver 0-10V Dimming. Output Range of 32V to 54V for Single circuit 200W maximum.

### Technical Specification:

UL, CUL Certified, ROHS Compliant  
 EMI FCC Part 15, Class A  
 Rating: IP 65 Type HL Surge: 2KV  
 Output Open/Short Protection  
 Min. Starting Temp: - 40° C  
 Max. Case Temp: 90° C  
 Typical Efficiency: 90%

Input Voltage range:  $\pm 10\%$   
 Output Load range  $\pm 5\%$   
 Input Frequency: 50/60HZ  
 THD: < 20%  
 Power Factor Min: 0.90  
 Remote Wiring Distance Full Load: 18AWG -18 ft

Case Size: Series UF2

Due to continuing efforts to offer improved products all specifications are subject to change without prior notice

INPUT VOLTAGE	INPUT CURRENT	INPUT WATTS	OUTPUT POWER WATTS MAX	OUTPUT VOLTAGE	OUTPUT CURRENT AMPS	MODEL
347V	0.64A	225	200	32 to 54V	3.7A	UNC3700C200WSD

#### LIMITED WARRANTY

5 YEAR at maximum case temperature 75 deg C. 3 YEAR at maximum case temperature 90 deg C. Manufacturer warrants to the purchaser: Product will be free from defects in material or workmanship from the date of manufacture conditioned upon proper storage, installation, use, and maintenance and conformance with any recommendations of Manufacturer

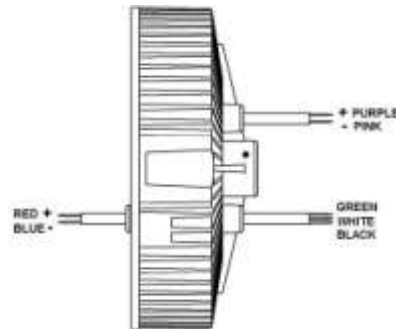
#### Lead Length

Colour	inch	cm
Black	11.8	30
White	11.8	30
Green	11.8	30
Blue	7.9	20
Red	7.9	20
Pink	7.0	18
Purple	7.0	18

#### 0-10V Dimmer

#### Compatibility Chart

LUTRON	LEVITON
NFTV	DS710-10Z
DVTV-WH	

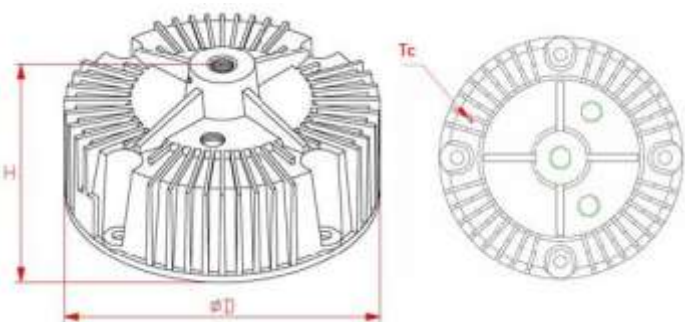


#### Case Size Series UF2

Diameter	Height	ML
152	72	132mm
5.98	2.83	5.2 inch

LED Case Must be Grounded

**WARNING:** Always Disconnect Power Before Handling. Case Should be Grounded. Install in Accordance with National and Local Electrical Codes



# 347V CIRCULAR LED DRIVER 240W 0-10V Dimming

## UFO Output Range 36V to 60V Constant Current 4000mA Max 240W

347V Electronic Constant Current Circular Enclosure LED Driver 0-10V Dimming. Output Range of 36V to 60V for Single circuit 240W maximum.

### Technical Specification:

UL, CUL Certified, ROHS Compliant  
 EMI FCC Part 15, Class A  
 Rating: IP 65 Type HL Surge: 2KV  
 Output Open/Short Protection  
 Min. Starting Temp: - 40° C  
 Max. Case Temp: 90° C  
 Typical Efficiency: 90%

Input Voltage range:  $\pm 10\%$   
 Output Load range:  $\pm 5\%$   
 Input Frequency: 50/60HZ  
 THD: < 20%  
 Power Factor Min: 0.90  
 Remote Wiring Distance Full Load: 18AWG -18 ft

Case Size: Series UF3

Due to continuing efforts to offer improved products all specifications are subject to change without prior notice

INPUT VOLTAGE	INPUT CURRENT	INPUT WATTS	OUTPUT POWER WATTS MAX	OUTPUT VOLTAGE	OUTPUT CURRENT AMPS	MODEL
347V	0.78A	267	240	36 to 60V	4.0A	UNC4000C240WSD

#### LIMITED WARRANTY

5 YEAR at maximum case temperature 75 deg C. 3 YEAR at maximum case temperature 90 deg C. Manufacturer warrants to the purchaser: Product will be free from defects in material or workmanship from the date of manufacture conditioned upon proper storage, installation, use, and maintenance and conformance with any recommendations of Manufacturer

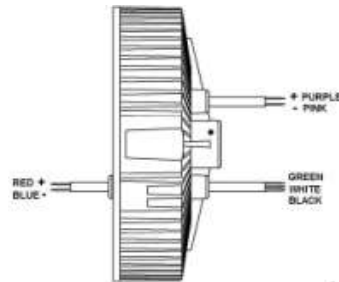
#### Lead Length

Colour	inch	cm
Black	11.8	30
White	11.8	30
Green	11.8	30
Blue	7.9	20
Red	7.9	20
Pink	7.0	18
Purple	7.0	18

#### 0-10V Dimmer

#### Compatibility Chart

LUTRON	LEVITON
NFTV	DS710-10Z
DVTV-WH	

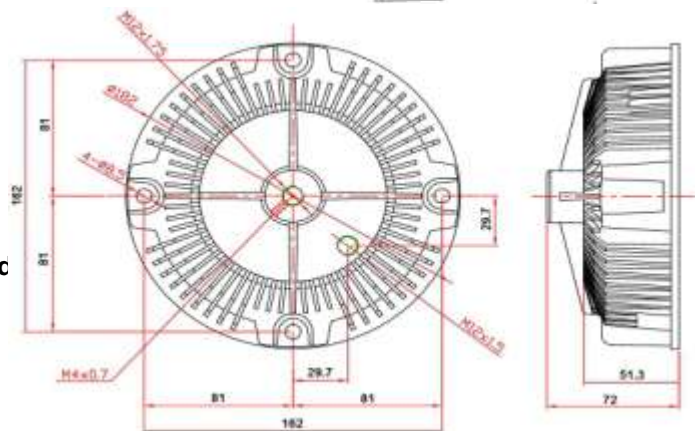


#### Case Size Series UF3

Diameter	Height	ML
182	72	162mm
7.16	2.83	6.3 inch

LED Case Must be Grounded

**WARNING:** Always Disconnect Power Before Handling. Case Should be Grounded. Install in Accordance with National and Local Electrical Codes



# 347V CIRCULAR LED DRIVER 200W 0-10V Dimming

## UFO Output Range 29V to 48V Constant Current **4300mA** Max **200W**

347V Electronic Constant Current Circular Enclosure LED Driver 0-10V Dimming. Output Range of 29V to 48V for Single circuit 200W maximum.

### Technical Specification:

UL, CUL Certified, ROHS Compliant  
 EMI FCC Part 15, Class A  
 Rating: IP 65 Type HL Surge: 2KV  
 Output Open/Short Protection  
 Min. Starting Temp: - 40° C  
 Max. Case Temp: 90° C  
 Typical Efficiency: 90%

Input Voltage range:  $\pm 10\%$   
 Output Load range  $\pm 5\%$   
 Input Frequency: 50/60HZ  
 THD: < 20%  
 Power Factor Min: 0.90  
 Remote Wiring Distance Full Load: 18AWG -18 ft

**Case Size: Series UF2**

Due to continuing efforts to offer improved products all specifications are subject to change without prior notice

INPUT VOLTAGE	INPUT CURRENT	INPUT WATTS	OUTPUT POWER WATTS MAX	OUTPUT VOLTAGE	OUTPUT CURRENT AMPS	MODEL
347V	0.64A	225	200	29 to 48V	4.3A	UNC4300C200WSD

#### LIMITED WARRANTY

5 YEAR at maximum case temperature 75 deg C. 3 YEAR at maximum case temperature 90 deg C. Manufacturer warrants to the purchaser: Product will be free from defects in material or workmanship from the date of manufacture conditioned upon proper storage, installation, use, and maintenance and conformance with any recommendations of Manufacturer

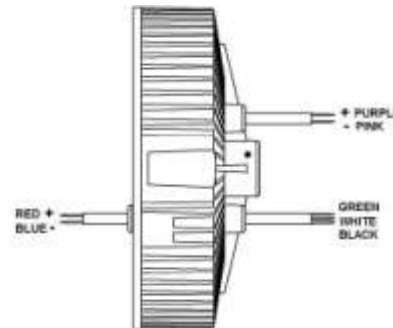
#### Lead Length

Colour	inch	cm
Black	11.8	30
White	11.8	30
Green	11.8	30
Blue	7.9	20
Red	7.9	20
Pink	7.0	18
Purple	7.0	18

#### 0-10V Dimmer

#### Compatibility Chart

LUTRON	LEVITON
NFTV	DS710-10Z
DVTV-WH	

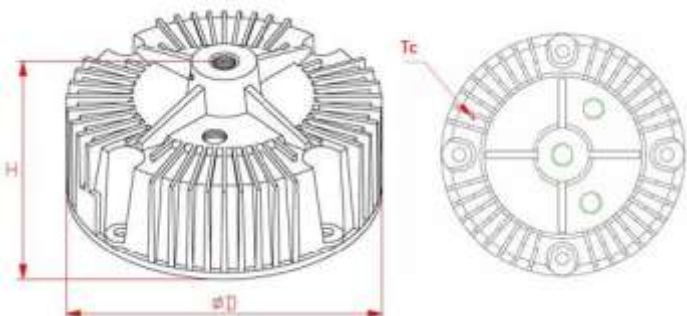


#### Case Size Series UF2

Diameter	Height	ML
152	72	132mm
5.98	2.83	5.2 inch

**LED Case Must be Grounded**

**WARNING:** Always Disconnect Power Before Handling. Case Should be Grounded. Install in Accordance with National and Local Electrical Codes





# 347V CIRCULAR LED DRIVER 160W 0-10V Dimming

## UFO Output Range 22V to 36V Constant Current 4500mA Max 160W

347V Electronic Constant Current Circular Enclosure LED Driver 0-10V Dimming. Output Range of 22V to 36V for Single circuit 160W maximum.

### Technical Specification:

UL, CUL Certified, ROHS Compliant  
 EMI FCC Part 15, Class A  
 Rating: IP 65 Type HL Surge: 2KV  
 Output Open/Short Protection  
 Min. Starting Temp: - 40° C  
 Max. Case Temp: 90° C  
 Typical Efficiency: 88%

Input Voltage range:  $\pm 10\%$   
 Output Load range  $\pm 5\%$   
 Input Frequency: 50/60HZ  
 THD: < 20%  
 Power Factor Min: 0.90  
 Remote Wiring Distance Full Load: 18AWG -18 ft

Case Size: Series UF2

Due to continuing efforts to offer improved products all specifications are subject to change without prior notice

INPUT VOLTAGE	INPUT CURRENT	INPUT WATTS	OUTPUT POWER WATTS MAX	OUTPUT VOLTAGE	OUTPUT CURRENT AMPS	MODEL
347V	0.51A	178	160	22 to 36V	4.5A	UNC4500C160WSD

#### LIMITED WARRANTY

5 YEAR at maximum case temperature 75 deg C. 3 YEAR at maximum case temperature 90 deg C. Manufacturer warrants to the purchaser: Product will be free from defects in material or workmanship from the date of manufacture conditioned upon proper storage, installation, use, and maintenance and conformance with any recommendations of Manufacturer

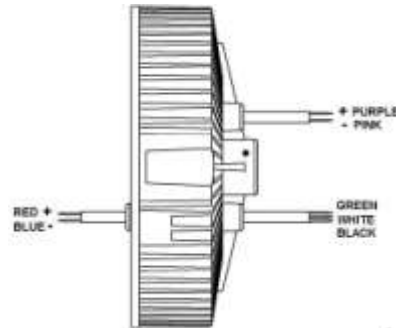
#### Lead Length

Colour	inch	cm
Black	11.8	30
White	11.8	30
Green	11.8	30
Blue	7.9	20
Red	7.9	20
Pink	7.0	18
Purple	7.0	18

#### 0-10V Dimmer

#### Compatibility Chart

LUTRON	LEVITON
NFTV	DS710-10Z
DVTV-WH	

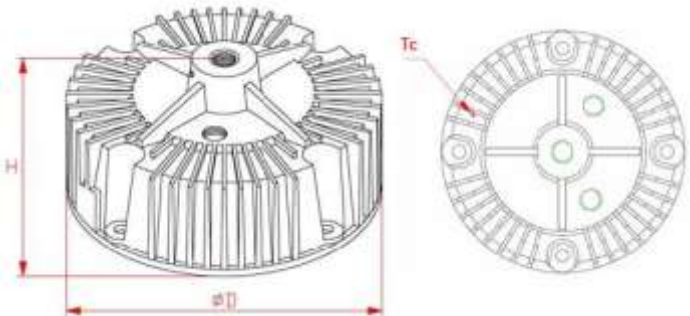


#### Case Size Series UF2

Diameter	Height	ML
152	72	132mm
5.98	2.83	5.2 inch

LED Case Must be Grounded

**WARNING:** Always Disconnect Power Before Handling. Case Should be Grounded. Install in Accordance with National and Local Electrical Codes



# 347V CIRCULAR LED DRIVER 240W 0-10V Dimming

## UFO Output Range 29V to 48V Constant Current **5000mA** Max **240W**

347V Electronic Constant Current Circular Enclosure LED Driver 0-10V Dimming. Output Range of 29V to 48V for Single circuit 240W maximum.

### Technical Specification:

UL, CUL Certified, ROHS Compliant  
 EMI FCC Part 15, Class A  
 Rating: IP 65 Type HL Surge: 2KV  
 Output Open/Short Protection  
 Min. Starting Temp: -40° C  
 Max. Case Temp: 90° C  
 Typical Efficiency: 90%

Input Voltage range:  $\pm 10\%$   
 Output Load range:  $\pm 5\%$   
 Input Frequency: 50/60HZ  
 THD: < 20%  
 Power Factor Min: 0.90  
 Remote Wiring Distance Full Load: 18AWG -18 ft

**Case Size: Series UF3**

Due to continuing efforts to offer improved products all specifications are subject to change without prior notice

INPUT VOLTAGE	INPUT CURRENT	INPUT WATTS	OUTPUT POWER WATTS MAX	OUTPUT VOLTAGE	OUTPUT CURRENT AMPS	MODEL
347V	0.78A	267	240	29 to 48V	5.0A	<b>UNC5000C240WSD</b>

#### LIMITED WARRANTY

5 YEAR at maximum case temperature 75 deg C. 3 YEAR at maximum case temperature 90 deg C. Manufacturer warrants to the purchaser: Product will be free from defects in material or workmanship from the date of manufacture conditioned upon proper storage, installation, use, and maintenance and conformance with any recommendations of Manufacturer

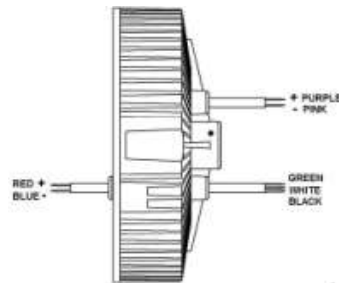
#### Lead Length

Colour	inch	cm
Black	11.8	30
White	11.8	30
Green	11.8	30
Blue	7.9	20
Red	7.9	20
Pink	7.0	18
Purple	7.0	18

#### 0-10V Dimmer

#### Compatibility Chart

LUTRON	LEVITON
NFTV	DS710-10Z
DVTV-WH	

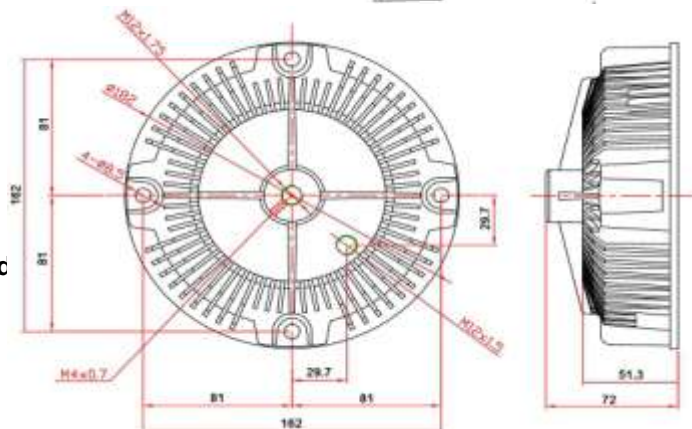


#### Case Size Series UF3

Diameter	Height	ML
182	72	162mm
7.16	2.83	6.3 inch

**LED Case Must be Grounded**

**WARNING:** Always Disconnect Power Before Handling. Case Should be Grounded. Install in Accordance with National and Local Electrical Codes



# 347V CIRCULAR LED DRIVER 200W 0-10V Dimming

## UFO Output Range 22V to 36V Constant Current **5600mA** Max **200W**

347V Electronic Constant Current Circular Enclosure LED Driver 0-10V Dimming. Output Range of 22V to 36V for Single circuit 200W maximum.

### Technical Specification:

UL, CUL Certified, ROHS Compliant  
 EMI FCC Part 15, Class A  
 Rating: IP 65 Type HL Surge: 2KV  
 Output Open/Short Protection  
 Min. Starting Temp: - 40° C  
 Max. Case Temp: 90° C  
 Typical Efficiency: 90%

Input Voltage range:  $\pm 10\%$   
 Output Load range:  $\pm 5\%$   
 Input Frequency: 50/60HZ  
 THD: < 20%  
 Power Factor Min: 0.90  
 Remote Wiring Distance Full Load: 18AWG -18 ft

**Case Size: Series UF2**

Due to continuing efforts to offer improved products all specifications are subject to change without prior notice

INPUT VOLTAGE	INPUT CURRENT	INPUT WATTS	OUTPUT POWER WATTS MAX	OUTPUT VOLTAGE	OUTPUT CURRENT AMPS	MODEL
347V	0.64A	225	200	22 to 36V	5.6A	<b>UNC5600C200WSD</b>

#### LIMITED WARRANTY

5 YEAR at maximum case temperature 75 deg C. 3 YEAR at maximum case temperature 90 deg C. Manufacturer warrants to the purchaser: Product will be free from defects in material or workmanship from the date of manufacture conditioned upon proper storage, installation, use, and maintenance and conformance with any recommendations of Manufacturer

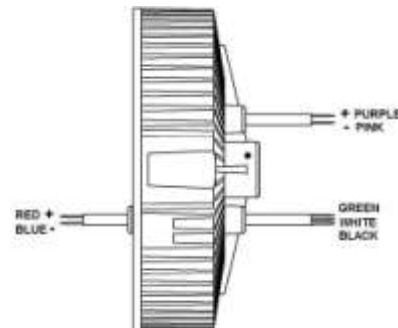
#### Lead Length

Colour	inch	cm
Black	11.8	30
White	11.8	30
Green	11.8	30
Blue	7.9	20
Red	7.9	20
Pink	7.0	18
Purple	7.0	18

#### 0-10V Dimmer

#### Compatibility Chart

LUTRON	LEVITON
NFTV	DS710-10Z
DVTV-WH	

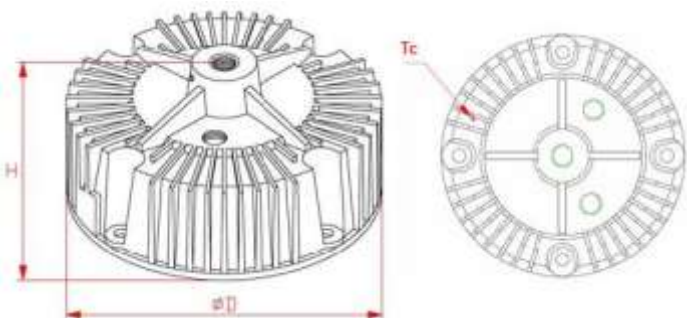


#### Case Size Series UF2

Diameter	Height	ML
152	72	132mm
5.98	2.83	5.2 inch

**LED Case Must be Grounded**

**WARNING:** Always Disconnect Power Before Handling. Case Should be Grounded. Install in Accordance with National and Local Electrical Codes



# 347V CIRCULAR LED DRIVER 240W 0-10V Dimming

## UFO Output Range 22V to 36V Constant Current **6700mA** Max **240W**

347V Electronic Constant Current Circular Enclosure LED Driver 0-10V Dimming. Output Range of 22V to 36V for Single circuit 240W maximum.

### Technical Specification:

UL, CUL Certified, ROHS Compliant  
 EMI FCC Part 15, Class A  
 Rating: IP 65 Type HL Surge: 2KV  
 Output Open/Short Protection  
 Min. Starting Temp: -40° C  
 Max. Case Temp: 90° C  
 Typical Efficiency: 90%

Input Voltage range:  $\pm 10\%$   
 Output Load range:  $\pm 5\%$   
 Input Frequency: 50/60HZ  
 THD: < 20%  
 Power Factor Min: 0.90  
 Remote Wiring Distance Full Load: 18AWG -18 ft

**Case Size: Series UF3**

Due to continuing efforts to offer improved products all specifications are subject to change without prior notice

INPUT VOLTAGE	INPUT CURRENT	INPUT WATTS	OUTPUT POWER WATTS MAX	OUTPUT VOLTAGE	OUTPUT CURRENT AMPS	MODEL
347V	0.78A	267	240	22 to 36V	6.7A	UNC6700C240WSD

#### LIMITED WARRANTY

5 YEAR at maximum case temperature 75 deg C. 3 YEAR at maximum case temperature 90 deg C. Manufacturer warrants to the purchaser: Product will be free from defects in material or workmanship from the date of manufacture conditioned upon proper storage, installation, use, and maintenance and conformance with any recommendations of Manufacturer

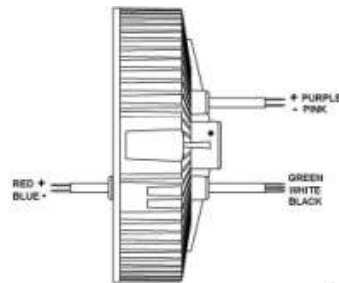
#### Lead Length

Colour	inch	cm
Black	11.8	30
White	11.8	30
Green	11.8	30
Blue	7.9	20
Red	7.9	20
Pink	7.0	18
Purple	7.0	18

#### 0-10V Dimmer

#### Compatibility Chart

LUTRON	LEVITON
NFTV	DS710-10Z
DVTV-WH	

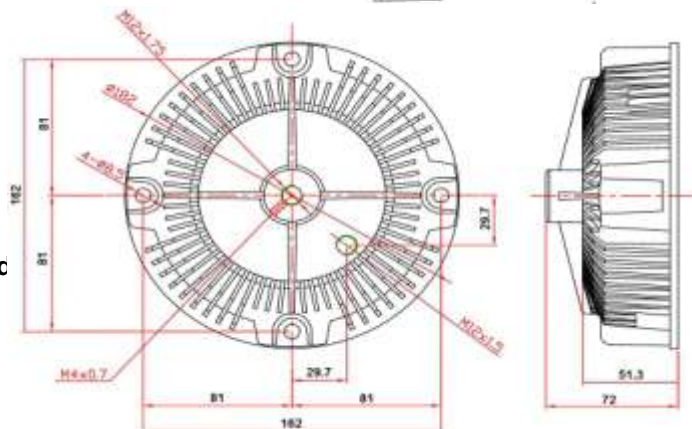


#### Case Size Series UF3

Diameter	Height	ML
182	72	162mm
7.16	2.83	6.3 inch

**LED Case Must be Grounded**

**WARNING:** Always Disconnect Power Before Handling. Case Should be Grounded. Install in Accordance with National and Local Electrical Codes



# CIRCULAR LED DRIVER 100W 0-10V Dimming

## UFO Output Range 36V to 60V Constant Current 1600mA Max 100W

Universal Voltage 120-277V Electronic Constant Current Circular Enclosure LED Driver 0-10V Dimming. Output Range of 36V to 60V for Single circuit 100W maximum.

### Technical Specification:

UL, CUL Certified, ROHS Compliant  
 EMI FCC Part 15, Class A  
 Rating: IP 65 Type HL Surge: 2KV  
 Output Open/Short Protection  
 Min. Starting Temp: - 40° C  
 Max. Case Temp: 90° C  
 Typical Efficiency: 88%

Input Voltage range:  $\pm 10\%$   
 Output Load range:  $\pm 5\%$   
 Input Frequency: 50/60HZ  
 THD: < 20%  
 Power Factor Min: 0.90  
 Remote Wiring Distance Full Load: 18AWG -18 ft

Case Size: Series UF1

Due to continuing efforts to offer improved products all specifications are subject to change without prior notice

INPUT VOLTAGE	INPUT CURRENT	INPUT WATTS	OUTPUT POWER WATTS MAX	OUTPUT VOLTAGE	OUTPUT CURRENT AMPS	MODEL
120V-277V	0.96A - 0.42A	114	100	36 to 60V	1.6A	UNU1600C100WSD

#### LIMITED WARRANTY

5 YEAR at maximum case temperature 75 deg C. 3 YEAR at maximum case temperature 90 deg C. Manufacturer warrants to the purchaser: Product will be free from defects in material or workmanship from the date of manufacture conditioned upon proper storage, installation, use, and maintenance and conformance with any recommendations of Manufacturer

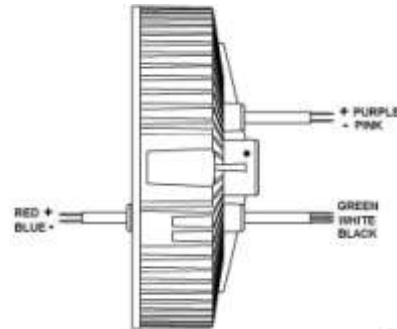
#### Lead Length

Colour	inch	cm
Black	11.8	30
White	11.8	30
Green	11.8	30
Blue	7.9	20
Red	7.9	20
Pink	7.0	18
Purple	7.0	18

#### 0-10V Dimmer

#### Compatibility Chart

LUTRON	LEVITON
NFTV	DS710-10Z
DVTV-WH	

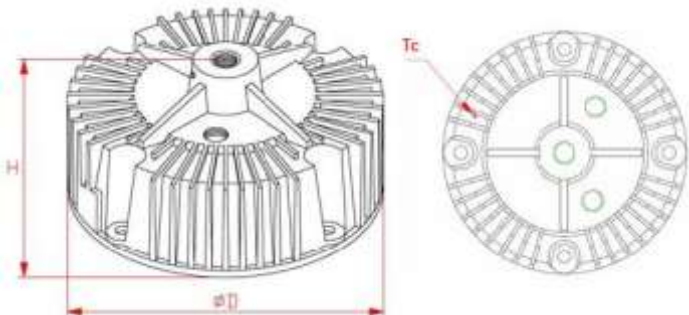


#### Case Size Series UF1

Diameter	Height	ML
132	72	113mm
5.2	2.83	4.45 inch

LED Case Must be Grounded

**WARNING:** Always Disconnect Power Before Handling. Case Should be Grounded. Install in Accordance with National and Local Electrical Codes



# CIRCULAR LED DRIVER 100W 0-10V Dimming

## UFO Output Range 32V to 54V Constant Current 1900mA Max 100W

Universal Voltage 120-277V Electronic Constant Current Circular Enclosure LED Driver 0-10V Dimming. Output Range of 32V to 54V for Single circuit 100W maximum.

### Technical Specification:

UL, CUL Certified, ROHS Compliant  
 EMI FCC Part 15, Class A  
 Rating: IP 65 Type HL Surge: 2KV  
 Output Open/Short Protection  
 Min. Starting Temp: - 40° C  
 Max. Case Temp: 90° C  
 Typical Efficiency: 89%

Input Voltage range:  $\pm 10\%$   
 Output Load range  $\pm 5\%$   
 Input Frequency: 50/60HZ  
 THD: < 20%  
 Power Factor Min: 0.90  
 Remote Wiring Distance Full Load: 18AWG -18 ft

Case Size: Series UF1

Due to continuing efforts to offer improved products all specifications are subject to change without prior notice

INPUT VOLTAGE	INPUT CURRENT	INPUT WATTS	OUTPUT POWER WATTS MAX	OUTPUT VOLTAGE	OUTPUT CURRENT AMPS	MODEL
120V-277V	0.96A - 0.42A	114	100	32 to 54V	1.9A	UNU1900C100WSD

#### LIMITED WARRANTY

5 YEAR at maximum case temperature 75 deg C. 3 YEAR at maximum case temperature 90 deg C. Manufacturer warrants to the purchaser: Product will be free from defects in material or workmanship from the date of manufacture conditioned upon proper storage, installation, use, and maintenance and conformance with any recommendations of Manufacturer

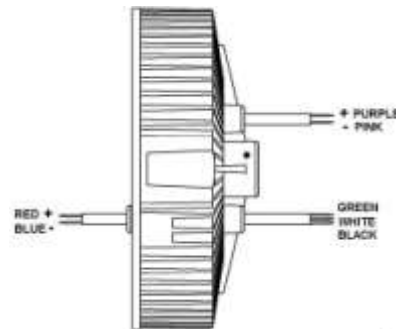
#### Lead Length

Colour	inch	cm
Black	11.8	30
White	11.8	30
Green	11.8	30
Blue	7.9	20
Red	7.9	20
Pink	7.0	18
Purple	7.0	18

#### 0-10V Dimmer

#### Compatibility Chart

LUTRON	LEVITON
NFTV	DS710-10Z
DVTV-WH	

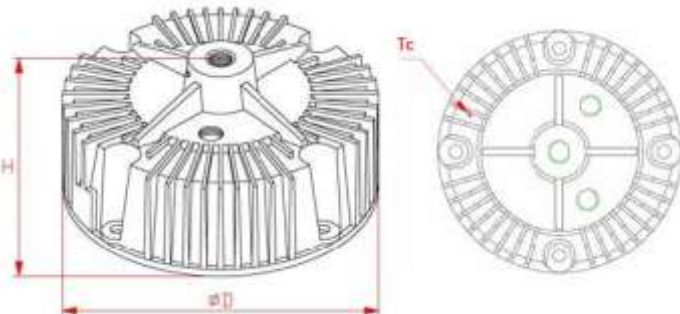


#### Case Size Series UF1

Diameter	Height	ML
132	72	113mm
5.2	2.83	4.45 inch

LED Case Must be Grounded

**WARNING:** Always Disconnect Power Before Handling. Case Should be Grounded. Install in Accordance with National and Local Electrical Codes



# CIRCULAR LED DRIVER 100W 0-10V Dimming

## UFO Output Range 29V to 48V Constant Current 2000mA Max 100W

Universal Voltage 120-277V Electronic Constant Current Circular Enclosure LED Driver 0-10V Dimming. Output Range of 29V to 48V for Single circuit 100W maximum.

### Technical Specification:

UL, CUL Certified, ROHS Compliant  
 EMI FCC Part 15, Class A  
 Rating: IP 65 Type HL Surge: 2KV  
 Output Open/Short Protection  
 Min. Starting Temp: - 40° C  
 Max. Case Temp: 90° C  
 Typical Efficiency: 89%

Input Voltage range:  $\pm 10\%$   
 Output Load range  $\pm 5\%$   
 Input Frequency: 50/60HZ  
 THD: < 20%  
 Power Factor Min: 0.90  
 Remote Wiring Distance Full Load: 18AWG -18 ft

Case Size: Series UF1

Due to continuing efforts to offer improved products all specifications are subject to change without prior notice

INPUT VOLTAGE	INPUT CURRENT	INPUT WATTS	OUTPUT POWER WATTS MAX	OUTPUT VOLTAGE	OUTPUT CURRENT AMPS	MODEL
120V-277V	0.96A - 0.42A	114	100	29 to 48V	2.0A	UNU2000C100WSD

#### LIMITED WARRANTY

5 YEAR at maximum case temperature 75 deg C. 3 YEAR at maximum case temperature 90 deg C. Manufacturer warrants to the purchaser: Product will be free from defects in material or workmanship from the date of manufacture conditioned upon proper storage, installation, use, and maintenance and conformance with any recommendations of Manufacturer

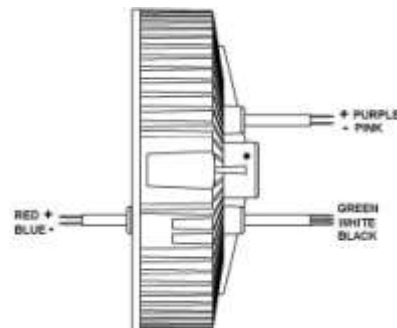
#### Lead Length

Colour	inch	cm
Black	11.8	30
White	11.8	30
Green	11.8	30
Blue	7.9	20
Red	7.9	20
Pink	7.0	18
Purple	7.0	18

#### 0-10V Dimmer

#### Compatibility Chart

LUTRON	LEVITON
NFTV	DS710-10Z
DVTV-WH	

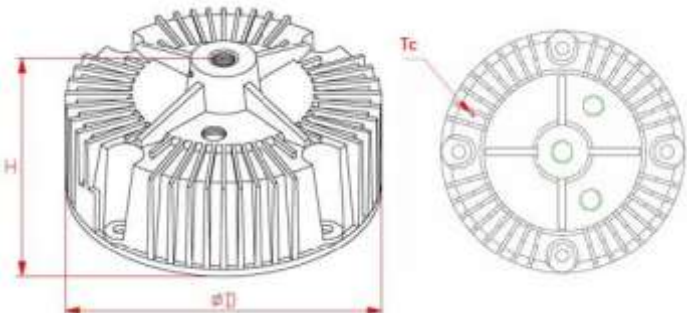


#### Case Size Series UF1

Diameter	Height	ML
132	72	113mm
5.2	2.83	4.45 inch

LED Case Must be Grounded

**WARNING:** Always Disconnect Power Before Handling. Case Should be Grounded. Install in Accordance with National and Local Electrical Codes



# CIRCULAR LED DRIVER 160W 0-10V Dimming

## UFO Output Range 36V to 60V Constant Current 2600mA Max 160W

Universal Voltage 120-277V Electronic Constant Current Circular Enclosure LED Driver 0-10V Dimming. Output Range of 36V to 60V for Single circuit 160W maximum.

### Technical Specification:

UL, CUL Certified, ROHS Compliant  
 EMI FCC Part 15, Class A  
 Rating: IP 65 Type HL Surge: 2KV  
 Output Open/Short Protection  
 Min. Starting Temp: - 40° C  
 Max. Case Temp: 90° C  
 Typical Efficiency: 90%

Input Voltage range:  $\pm 10\%$   
 Output Load range:  $\pm 5\%$   
 Input Frequency: 50/60HZ  
 THD: < 20%  
 Power Factor Min: 0.90  
 Remote Wiring Distance Full Load: 18AWG -18 ft

Case Size: Series UF2

Due to continuing efforts to offer improved products all specifications are subject to change without prior notice

INPUT VOLTAGE	INPUT CURRENT	INPUT WATTS	OUTPUT POWER WATTS MAX	OUTPUT VOLTAGE	OUTPUT CURRENT AMPS	MODEL
120V-277V	1.48A - 0.64A	178	160	36 to 60V	2.6A	UNU2600C160WSD

#### LIMITED WARRANTY

5 YEAR at maximum case temperature 75 deg C. 3 YEAR at maximum case temperature 90 deg C. Manufacturer warrants to the purchaser: Product will be free from defects in material or workmanship from the date of manufacture conditioned upon proper storage, installation, use, and maintenance and conformance with any recommendations of Manufacturer

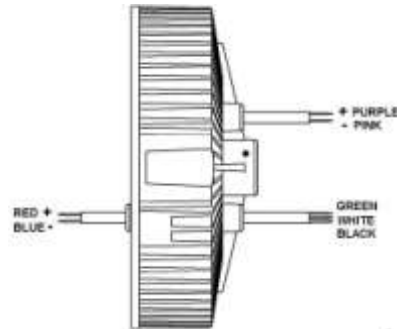
#### Lead Length

Colour	inch	cm
Black	11.8	30
White	11.8	30
Green	11.8	30
Blue	7.9	20
Red	7.9	20
Pink	7.0	18
Purple	7.0	18

#### 0-10V Dimmer

#### Compatibility Chart

LUTRON	LEVITON
NFTV	DS710-10Z
DVTV-WH	

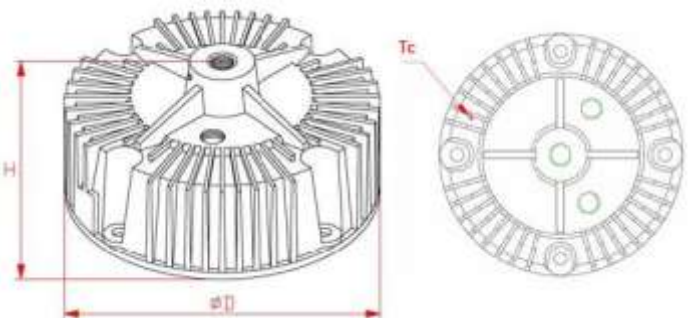


#### Case Size Series UF2

Diameter	Height	ML
152	72	132mm
5.98	2.83	5.2 inch

LED Case Must be Grounded

**WARNING:** Always Disconnect Power Before Handling. Case Should be Grounded. Install in Accordance with National and Local Electrical Codes





# CIRCULAR LED DRIVER 100W 0-10V Dimming

## UFO Output Range 22V to 36V Constant Current 2800mA Max 100W

Universal Voltage 120-277V Electronic Constant Current Circular Enclosure LED Driver 0-10V Dimming. Output Range of 22V to 36V for Single circuit 100W maximum.

### Technical Specification:

UL, CUL Certified, ROHS Compliant  
 EMI FCC Part 15, Class A  
 Rating: IP 65 Type HL Surge: 2KV  
 Output Open/Short Protection  
 Min. Starting Temp: -40° C  
 Max. Case Temp: 90° C  
 Typical Efficiency: 89%

Input Voltage range:  $\pm 10\%$   
 Output Load range:  $\pm 5\%$   
 Input Frequency: 50/60HZ  
 THD: < 20%  
 Power Factor Min: 0.90  
 Remote Wiring Distance Full Load: 18AWG -18 ft

Case Size: Series UF1

Due to continuing efforts to offer improved products all specifications are subject to change without prior notice

INPUT VOLTAGE	INPUT CURRENT	INPUT WATTS	OUTPUT POWER WATTS MAX	OUTPUT VOLTAGE	OUTPUT CURRENT AMPS	MODEL
120V-277V	0.96A - 0.42A	114	100	22 to 36V	2.8A	UNU2800C100WSD

#### LIMITED WARRANTY

5 YEAR at maximum case temperature 75 deg C. 3 YEAR at maximum case temperature 90 deg C. Manufacturer warrants to the purchaser: Product will be free from defects in material or workmanship from the date of manufacture conditioned upon proper storage, installation, use, and maintenance and conformance with any recommendations of Manufacturer

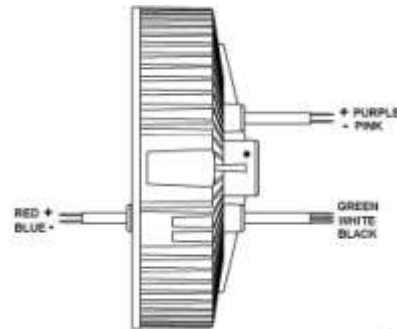
#### Lead Length

Colour	inch	cm
Black	11.8	30
White	11.8	30
Green	11.8	30
Blue	7.9	20
Red	7.9	20
Pink	7.0	18
Purple	7.0	18

#### 0-10V Dimmer

#### Compatibility Chart

LUTRON	LEVITON
NFTV	DS710-10Z
DVTV-WH	

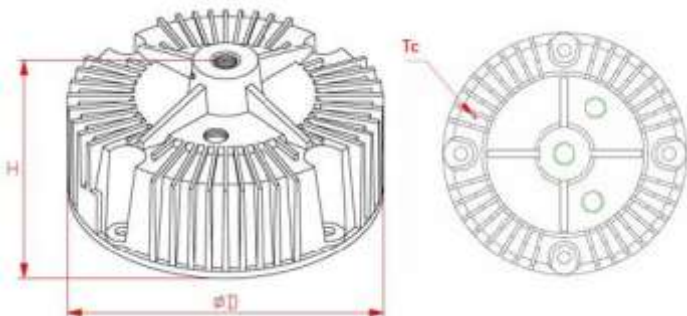


#### Case Size Series UF1

Diameter	Height	ML
132	72	113mm
5.2	2.83	4.45 inch

LED Case Must be Grounded

**WARNING:** Always Disconnect Power Before Handling. Case Should be Grounded. Install in Accordance with National and Local Electrical Codes



# CIRCULAR LED DRIVER 160W 0-10V Dimming

## UFO Output Range 32V to 54V Constant Current 3000mA Max 160W

Universal Voltage 120-277V Electronic Constant Current Circular Enclosure LED Driver 0-10V Dimming. Output Range of 32V to 54V for Single circuit 160W maximum.

### Technical Specification:

UL, CUL Certified, ROHS Compliant  
 EMI FCC Part 15, Class A  
 Rating: IP 65 Type HL Surge: 2KV  
 Output Open/Short Protection  
 Min. Starting Temp: -40° C  
 Max. Case Temp: 90° C  
 Typical Efficiency: 90%

Input Voltage range:  $\pm 10\%$   
 Output Load range:  $\pm 5\%$   
 Input Frequency: 50/60HZ  
 THD: < 20%  
 Power Factor Min: 0.90  
 Remote Wiring Distance Full Load: 18AWG -18 ft

Case Size: Series UF2

Due to continuing efforts to offer improved products all specifications are subject to change without prior notice

INPUT VOLTAGE	INPUT CURRENT	INPUT WATTS	OUTPUT POWER WATTS MAX	OUTPUT VOLTAGE	OUTPUT CURRENT AMPS	MODEL
120V-277V	1.48A - 0.64A	178	160	32 to 54V	3.0A	UNU3000C160WSD

#### LIMITED WARRANTY

5 YEAR at maximum case temperature 75 deg C. 3 YEAR at maximum case temperature 90 deg C. Manufacturer warrants to the purchaser: Product will be free from defects in material or workmanship from the date of manufacture conditioned upon proper storage, installation, use, and maintenance and conformance with any recommendations of Manufacturer

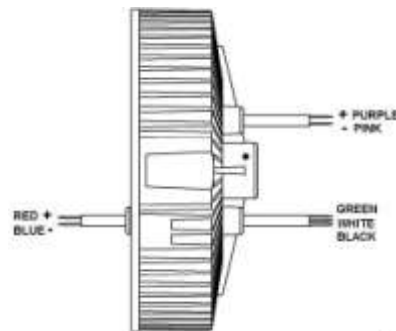
#### Lead Length

Colour	inch	cm
Black	11.8	30
White	11.8	30
Green	11.8	30
Blue	7.9	20
Red	7.9	20
Pink	7.0	18
Purple	7.0	18

#### 0-10V Dimmer

#### Compatibility Chart

LUTRON	LEVITON
NFTV	DS710-10Z
DVTV-WH	

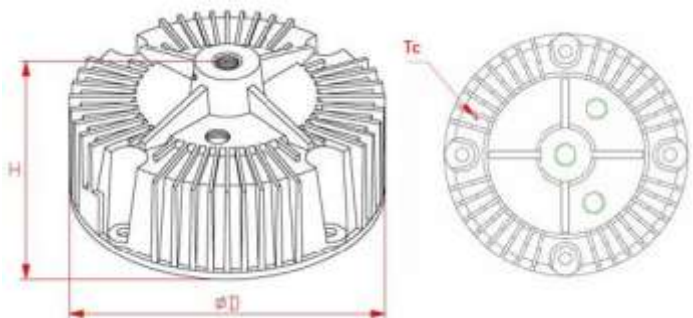


#### Case Size Series UF2

Diameter	Height	ML
152	72	132mm
5.98	2.83	5.2 inch

LED Case Must be Grounded

**WARNING:** Always Disconnect Power Before Handling. Case Should be Grounded. Install in Accordance with National and Local Electrical Codes



# CIRCULAR LED DRIVER 160W 0-10V Dimming

## UFO Output Range 29V to 48V Constant Current 3300mA Max 160W

Universal Voltage 120-277V Electronic Constant Current Circular Enclosure LED Driver 0-10V Dimming. Output Range of 29V to 48V for Single circuit 160W maximum.

### Technical Specification:

UL, CUL Certified, ROHS Compliant  
 EMI FCC Part 15, Class A  
 Rating: IP 65 Type HL Surge: 2KV  
 Output Open/Short Protection  
 Min. Starting Temp: - 40° C  
 Max. Case Temp: 90° C  
 Typical Efficiency: 90%

Input Voltage range:  $\pm 10\%$   
 Output Load range  $\pm 5\%$   
 Input Frequency: 50/60HZ  
 THD: < 20%  
 Power Factor Min: 0.90  
 Remote Wiring Distance Full Load: 18AWG -18 ft

Case Size: Series UF2

Due to continuing efforts to offer improved products all specifications are subject to change without prior notice

INPUT VOLTAGE	INPUT CURRENT	INPUT WATTS	OUTPUT POWER WATTS MAX	OUTPUT VOLTAGE	OUTPUT CURRENT AMPS	MODEL
120V-277V	1.48A - 0.64A	178	160	29 to 48V	3.3A	UNU3300C160WSD

#### LIMITED WARRANTY

5 YEAR at maximum case temperature 75 deg C. 3 YEAR at maximum case temperature 90 deg C. Manufacturer warrants to the purchaser: Product will be free from defects in material or workmanship from the date of manufacture conditioned upon proper storage, installation, use, and maintenance and conformance with any recommendations of Manufacturer

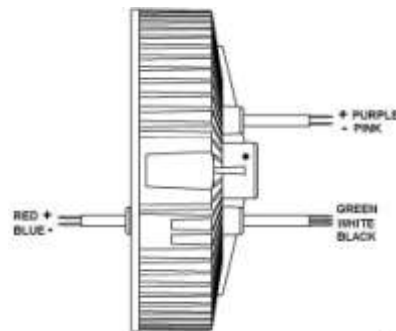
#### Lead Length

Colour	inch	cm
Black	11.8	30
White	11.8	30
Green	11.8	30
Blue	7.9	20
Red	7.9	20
Pink	7.0	18
Purple	7.0	18

#### 0-10V Dimmer

#### Compatibility Chart

LUTRON	LEVITON
NFTV	DS710-10Z
DVTV-WH	

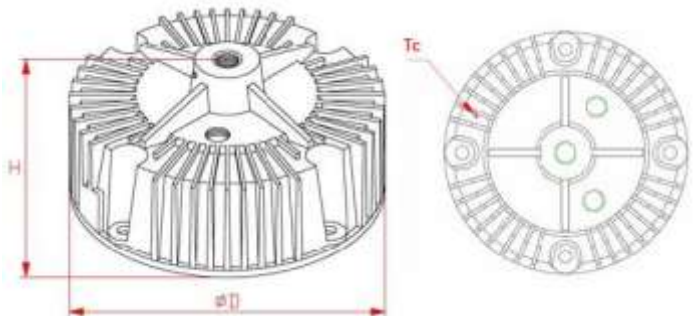


#### Case Size Series UF2

Diameter	Height	ML
152	72	132mm
5.98	2.83	5.2 inch

LED Case Must be Grounded

**WARNING:** Always Disconnect Power Before Handling. Case Should be Grounded. Install in Accordance with National and Local Electrical Codes



# CIRCULAR LED DRIVER 240W 0-10V Dimming

## UFO Output Range 36V to 60V Constant Current 4000mA Max 240W

Universal Voltage 120-277V Electronic Constant Current Circular Enclosure LED Driver 0-10V Dimming. Output Range of 36V to 60V for Single circuit 240W maximum.

### Technical Specification:

UL, CUL Certified, ROHS Compliant  
 EMI FCC Part 15, Class A  
 Rating: IP 65 Type HL Surge: 2KV  
 Output Open/Short Protection  
 Min. Starting Temp: -40° C  
 Max. Case Temp: 90° C  
 Typical Efficiency: 90%

Input Voltage range:  $\pm 10\%$   
 Output Load range:  $\pm 5\%$   
 Input Frequency: 50/60HZ  
 THD: < 20%  
 Power Factor Min: 0.90  
 Remote Wiring Distance Full Load: 18AWG -18 ft

Case Size: Series UF3

Due to continuing efforts to offer improved products all specifications are subject to change without prior notice

INPUT VOLTAGE	INPUT CURRENT	INPUT WATTS	OUTPUT POWER WATTS MAX	OUTPUT VOLTAGE	OUTPUT CURRENT AMPS	MODEL
120V-277V	2.23A - 0.96A	267	240	36 to 60V	4.0A	UNU4000C240WSD

#### LIMITED WARRANTY

5 YEAR at maximum case temperature 75 deg C. 3 YEAR at maximum case temperature 90 deg C. Manufacturer warrants to the purchaser: Product will be free from defects in material or workmanship from the date of manufacture conditioned upon proper storage, installation, use, and maintenance and conformance with any recommendations of Manufacturer

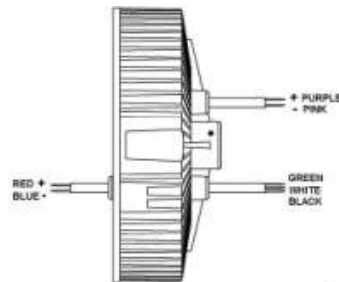
#### Lead Length

Colour	inch	cm
Black	11.8	30
White	11.8	30
Green	11.8	30
Blue	7.9	20
Red	7.9	20
Pink	7.0	18
Purple	7.0	18

#### 0-10V Dimmer

#### Compatibility Chart

LUTRON	LEVITON
NFTV	DS710-10Z
DVTV-WH	

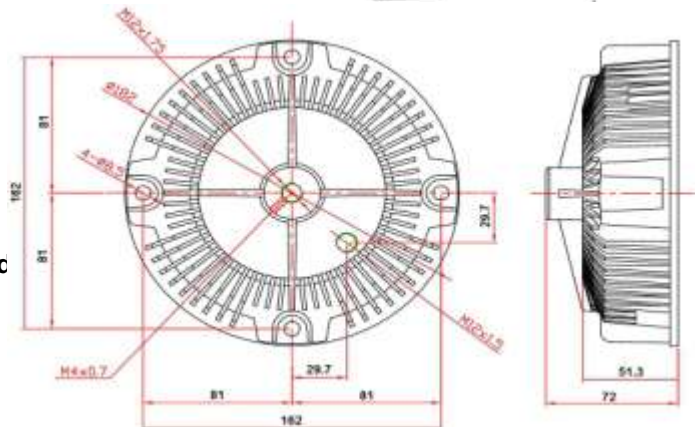


#### Case Size Series UF3

Diameter	Height	ML
182	72	162mm
7.16	2.83	6.3 inch

LED Case Must be Grounded

**WARNING:** Always Disconnect Power Before Handling. Case Should be Grounded. Install in Accordance with National and Local Electrical Codes



# CIRCULAR LED DRIVER 200W 0-10V Dimming

## UFO Output Range 28V to 46V Constant Current 4300mA Max 200W

Universal Voltage 120-277V Electronic Constant Current Circular Enclosure LED Driver 0-10V Dimming. Output Range of 28V to 46V for Single circuit 200W maximum.

### Technical Specification:

UL, CUL Certified, ROHS Compliant  
 EMI FCC Part 15, Class A  
 Rating: IP 65 Type HL Surge: 2KV  
 Output Open/Short Protection  
 Min. Starting Temp: - 40° C  
 Max. Case Temp: 90° C  
 Typical Efficiency: 89%

Input Voltage range:  $\pm 10\%$   
 Output Load range  $\pm 5\%$   
 Input Frequency: 50/60HZ  
 THD: < 20%  
 Power Factor Min: 0.90  
 Remote Wiring Distance Full Load: 18AWG -18 ft

Case Size: Series UF2

Due to continuing efforts to offer improved products all specifications are subject to change without prior notice

INPUT VOLTAGE	INPUT CURRENT	INPUT WATTS	OUTPUT POWER WATTS MAX	OUTPUT VOLTAGE	OUTPUT CURRENT AMPS	MODEL
120V-277V	1.78A - 0.78A	225	200	28 to 46V	4.3A	UNU4300C200WSD

#### LIMITED WARRANTY

5 YEAR at maximum case temperature 75 deg C. 3 YEAR at maximum case temperature 90 deg C. Manufacturer warrants to the purchaser: Product will be free from defects in material or workmanship from the date of manufacture conditioned upon proper storage, installation, use, and maintenance and conformance with any recommendations of Manufacturer

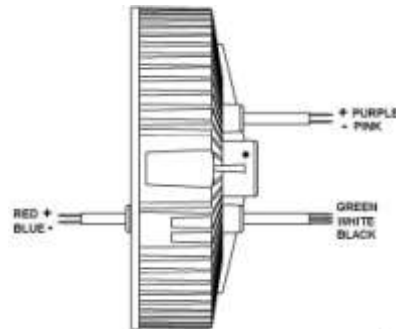
#### Lead Length

Colour	inch	cm
Black	11.8	30
White	11.8	30
Green	11.8	30
Blue	7.9	20
Red	7.9	20
Pink	7.0	18
Purple	7.0	18

#### 0-10V Dimmer

#### Compatibility Chart

LUTRON	LEVITON
NFTV	DS710-10Z
DVTV-WH	

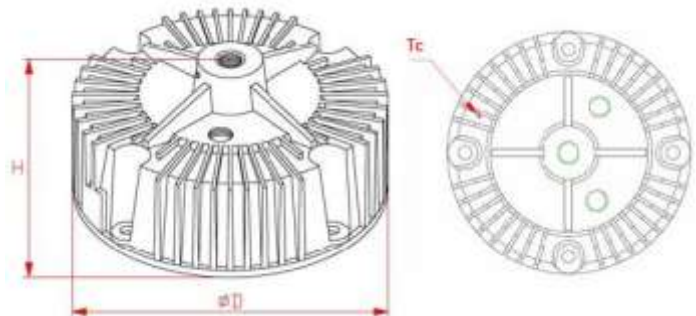


#### Case Size Series UF2

Diameter	Height	ML
152	72	132mm
5.98	2.83	5.2 inch

**LED Case Must be Grounded**

**WARNING:** Always Disconnect Power Before Handling. Case Should be Grounded. Install in Accordance with National and Local Electrical Codes



# CIRCULAR LED DRIVER 240W 0-10V Dimming

## UFO Output Range 33V to 56V Constant Current 4300mA Max 240W

Universal Voltage 120-277V Electronic Constant Current Circular Enclosure LED Driver 0-10V Dimming. Output Range of 33V to 56V for Single circuit 240W maximum.

### Technical Specification:

UL, CUL Certified, ROHS Compliant  
 EMI FCC Part 15, Class A  
 Rating: IP 65 Type HL Surge: 2KV  
 Output Open/Short Protection  
 Min. Starting Temp: - 40° C  
 Max. Case Temp: 90° C  
 Typical Efficiency: 87%

Input Voltage range:  $\pm 10\%$   
 Output Load range:  $\pm 5\%$   
 Input Frequency: 50/60HZ  
 THD: < 20%  
 Power Factor Min: 0.90  
 Remote Wiring Distance Full Load: 18AWG -18 ft

Case Size: Series UF3

Due to continuing efforts to offer improved products all specifications are subject to change without prior notice

INPUT VOLTAGE	INPUT CURRENT	INPUT WATTS	OUTPUT POWER WATTS MAX	OUTPUT VOLTAGE	OUTPUT CURRENT AMPS	MODEL
120V-277V	2.23A - 0.96A	275	240	33 to 56V	4.3A	UNU4300C240WSD

#### LIMITED WARRANTY

5 YEAR at maximum case temperature 75 deg C. 3 YEAR at maximum case temperature 90 deg C. Manufacturer warrants to the purchaser: Product will be free from defects in material or workmanship from the date of manufacture conditioned upon proper storage, installation, use, and maintenance and conformance with any recommendations of Manufacturer

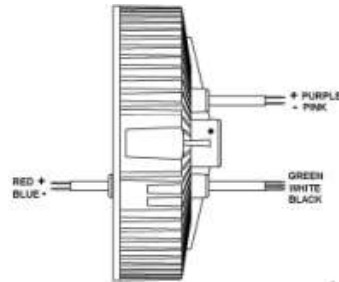
#### Lead Length

Colour	inch	cm
Black	11.8	30
White	11.8	30
Green	11.8	30
Blue	7.9	20
Red	7.9	20
Pink	7.0	18
Purple	7.0	18

#### 0-10V Dimmer

#### Compatibility Chart

LUTRON	LEVITON
NFTV	DS710-10Z
DVTV-WH	

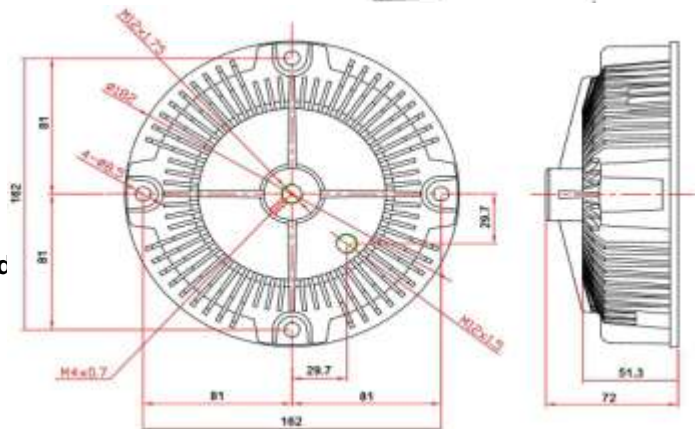


#### Case Size Series UF3

Diameter	Height	ML
182	72	162mm
7.16	2.83	6.3 inch

LED Case Must be Grounded

**WARNING:** Always Disconnect Power Before Handling. Case Should be Grounded. Install in Accordance with National and Local Electrical Codes



# CIRCULAR LED DRIVER 160W 0-10V Dimming

## UFO Output Range 22V to 36V Constant Current 4500mA Max 160W

Universal Voltage 120-277V Electronic Constant Current 4500mA Circular Enclosure LED Driver 0-10V Dimming. Output Range of 22V to 36V for Single circuit 160W maximum.

### Technical Specification:

UL, CUL Certified, ROHS Compliant  
 EMI FCC Part 15, Class A  
 Rating: IP 65 Type HL Surge: 2KV  
 Output Open/Short Protection  
 Min. Starting Temp: -40° C  
 Max. Case Temp: 90° C  
 Typical Efficiency: 90%

Input Voltage range:  $\pm 10\%$   
 Output Load range:  $\pm 5\%$   
 Input Frequency: 50/60HZ  
 THD: < 20%  
 Power Factor Min: 0.90  
 Remote Wiring Distance Full Load: 18AWG -18 ft

Case Size: Series UF2

Due to continuing efforts to offer improved products all specifications are subject to change without prior notice

INPUT VOLTAGE	INPUT CURRENT	INPUT WATTS	OUTPUT POWER WATTS MAX	OUTPUT VOLTAGE	OUTPUT CURRENT AMPS	MODEL
120V-277V	1.48A - 0.64A	178	160	22 to 36V	4.5A	UNU4500C160WSD

#### LIMITED WARRANTY

5 YEAR at maximum case temperature 75 deg C. 3 YEAR at maximum case temperature 90 deg C. Manufacturer warrants to the purchaser: Product will be free from defects in material or workmanship from the date of manufacture conditioned upon proper storage, installation, use, and maintenance and conformance with any recommendations of Manufacturer

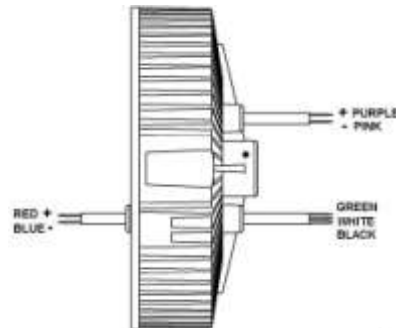
#### Lead Length

Colour	inch	cm
Black	11.8	30
White	11.8	30
Green	11.8	30
Blue	7.9	20
Red	7.9	20
Pink	7.0	18
Purple	7.0	18

#### 0-10V Dimmer

#### Compatibility Chart

LUTRON	LEVITON
NFTV	DS710-10Z
DVTV-WH	

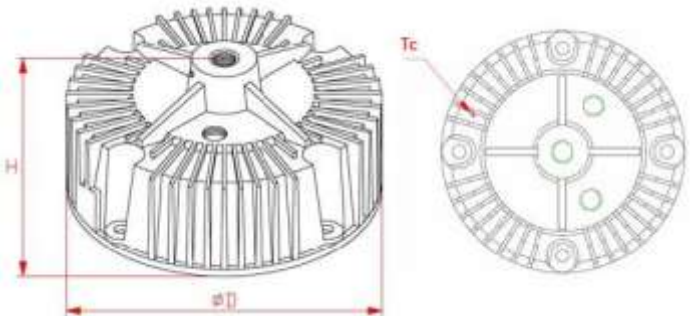


#### Case Size Series UF2

Diameter	Height	ML
152	72	132mm
5.98	2.83	5.2 inch

LED Case Must be Grounded

**WARNING:** Always Disconnect Power Before Handling. Case Should be Grounded. Install in Accordance with National and Local Electrical Codes



# CIRCULAR LED DRIVER 240W 0-10V Dimming

## UFO Output Range 32V to 54V Constant Current 4500mA Max 240W

Universal Voltage 120-277V Electronic Constant Current Circular Enclosure LED Driver 0-10V Dimming.. Output Range of 32V to 54V for Single circuit 240W maximum.

### Technical Specification:

UL, CUL Certified, ROHS Compliant  
 EMI FCC Part 15, Class A  
 Rating: IP 65 Type HL Surge: 2KV  
 Output Open/Short Protection  
 Min. Starting Temp: - 40° C  
 Max. Case Temp: 90° C  
 Typical Efficiency: 90%

Input Voltage range:  $\pm 10\%$   
 Output Load range:  $\pm 5\%$   
 Input Frequency: 50/60HZ  
 THD: < 20%  
 Power Factor Min: 0.90  
 Remote Wiring Distance Full Load: 18AWG -18 ft

Case Size: Series UF3

Due to continuing efforts to offer improved products all specifications are subject to change without prior notice

INPUT VOLTAGE	INPUT CURRENT	INPUT WATTS	OUTPUT POWER WATTS MAX	OUTPUT VOLTAGE	OUTPUT CURRENT AMPS	MODEL
120V-277V	2.23A - 0.96A	267	240	32 to 54V	4.5A	UNU4500C240WSD

#### LIMITED WARRANTY

5 YEAR at maximum case temperature 75 deg C. 3 YEAR at maximum case temperature 90 deg C. Manufacturer warrants to the purchaser: Product will be free from defects in material or workmanship from the date of manufacture conditioned upon proper storage, installation, use, and maintenance and conformance with any recommendations of Manufacturer

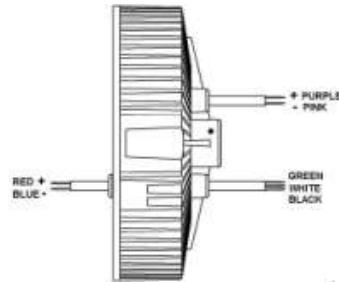
#### Lead Length

Colour	inch	cm
Black	11.8	30
White	11.8	30
Green	11.8	30
Blue	7.9	20
Red	7.9	20
Pink	7.0	18
Purple	7.0	18

#### 0-10V Dimmer

#### Compatibility Chart

LUTRON	LEVITON
NFTV	DS710-10Z
DVTV-WH	

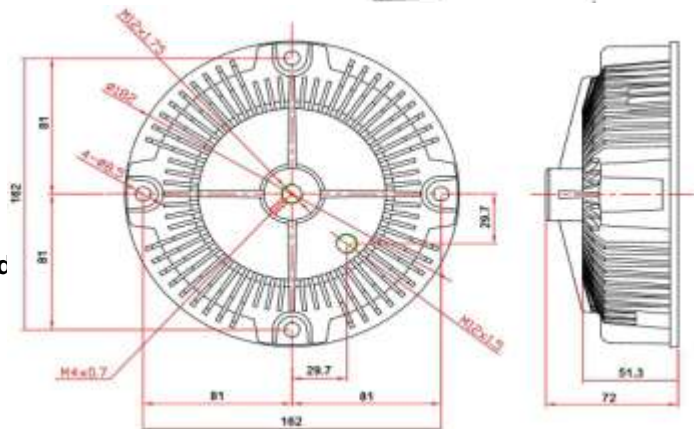


#### Case Size Series UF3

Diameter	Height	ML
182	72	162mm
7.16	2.83	6.3 inch

LED Case Must be Grounded

**WARNING:** Always Disconnect Power Before Handling. Case Should be Grounded. Install in Accordance with National and Local Electrical Codes





# CIRCULAR LED DRIVER 240W 0-10V Dimming

## UFO Output Range 29V to 48V Constant Current 5000mA Max 240W

Universal Voltage 120-277V Electronic Constant Current Circular Enclosure LED Driver 0-10V Dimming. Output Range of 29V to 48V for Single circuit 240W maximum.

### Technical Specification:

UL, CUL Certified, ROHS Compliant  
 EMI FCC Part 15, Class A  
 Rating: IP 65 Type HL Surge: 2KV  
 Output Open/Short Protection  
 Min. Starting Temp: -40° C  
 Max. Case Temp: 90° C  
 Typical Efficiency: 90%

Input Voltage range:  $\pm 10\%$   
 Output Load range:  $\pm 5\%$   
 Input Frequency: 50/60HZ  
 THD: < 20%  
 Power Factor Min: 0.90  
 Remote Wiring Distance Full Load: 18AWG -18 ft

Case Size: Series UF3

Due to continuing efforts to offer improved products all specifications are subject to change without prior notice

INPUT VOLTAGE	INPUT CURRENT	INPUT WATTS	OUTPUT POWER WATTS MAX	OUTPUT VOLTAGE	OUTPUT CURRENT AMPS	MODEL
120V-277V	2.23A - 0.96A	267	240	29 to 48V	5.0A	UNU5000C240WSD

#### LIMITED WARRANTY

5 YEAR at maximum case temperature 75 deg C. 3 YEAR at maximum case temperature 90 deg C. Manufacturer warrants to the purchaser: Product will be free from defects in material or workmanship from the date of manufacture conditioned upon proper storage, installation, use, and maintenance and conformance with any recommendations of Manufacturer

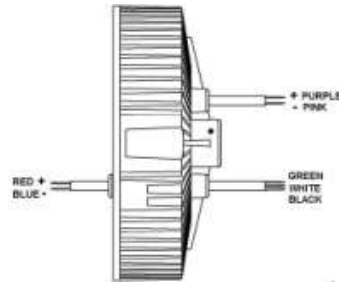
#### Lead Length

Colour	inch	cm
Black	11.8	30
White	11.8	30
Green	11.8	30
Blue	7.9	20
Red	7.9	20
Pink	7.0	18
Purple	7.0	18

#### 0-10V Dimmer

#### Compatibility Chart

LUTRON	LEVITON
NFTV	DS710-10Z
DVTV-WH	

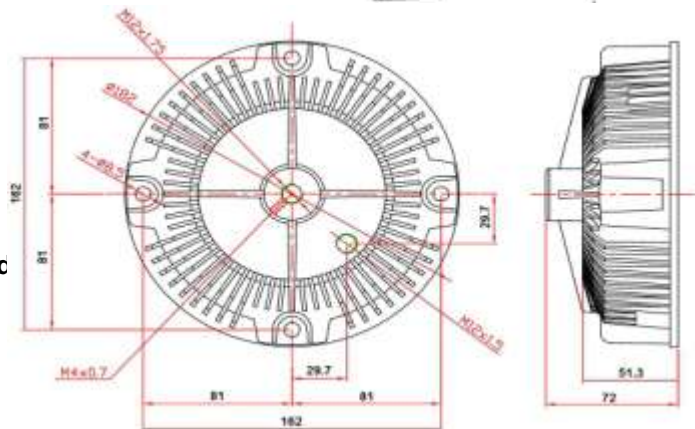


#### Case Size Series UF3

Diameter	Height	ML
182	72	162mm
7.16	2.83	6.3 inch

LED Case Must be Grounded

**WARNING:** Always Disconnect Power Before Handling. Case Should be Grounded. Install in Accordance with National and Local Electrical Codes



# CIRCULAR LED DRIVER 240W 0-10V Dimming

## UFO Output Range 22V to 36V Constant Current **6700mA** Max **240W**

Universal Voltage 120-277V Electronic Constant Current 6700mA Circular Enclosure LED Driver 0-10V Dimming. Output Range of 22V to 36V for Single circuit 240W maximum.

### Technical Specification:

UL, CUL Certified, ROHS Compliant  
 EMI FCC Part 15, Class A  
 Rating: IP 65 Type HL Surge: 2KV  
 Output Open/Short Protection  
 Min. Starting Temp: - 40° C  
 Max. Case Temp: 90° C  
 Typical Efficiency: 90%

Input Voltage range:  $\pm 10\%$   
 Output Load range  $\pm 5\%$   
 Input Frequency: 50/60HZ  
 THD: < 20%  
 Power Factor Min: 0.90  
 Remote Wiring Distance Full Load: 18AWG -18 ft

**Case Size: Series UF3**

Due to continuing efforts to offer improved products all specifications are subject to change without prior notice

INPUT VOLTAGE	INPUT CURRENT	INPUT WATTS	OUTPUT POWER WATTS MAX	OUTPUT VOLTAGE	OUTPUT CURRENT AMPS	MODEL
120V-277V	2.23A - 0.96A	267	240	22 to 36V	6.7A	UNU6700C240WSD

#### LIMITED WARRANTY

5 YEAR at maximum case temperature 75 deg C. 3 YEAR at maximum case temperature 90 deg C. Manufacturer warrants to the purchaser: Product will be free from defects in material or workmanship from the date of manufacture conditioned upon proper storage, installation, use, and maintenance and conformance with any recommendations of Manufacturer

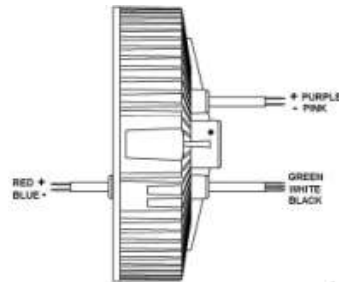
#### Lead Length

Colour	inch	cm
Black	11.8	30
White	11.8	30
Green	11.8	30
Blue	7.9	20
Red	7.9	20
Pink	7.0	18
Purple	7.0	18

#### 0-10V Dimmer

#### Compatibility Chart

LUTRON	LEVITON
NFTV	DS710-10Z
DVTV-WH	

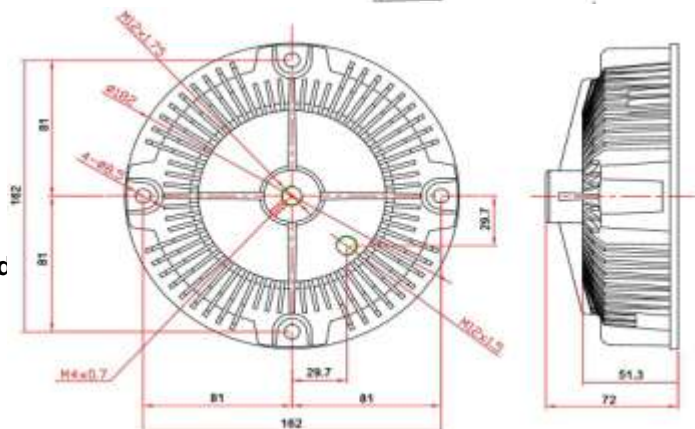


#### Case Size Series UF3

Diameter	Height	ML
182	72	162mm
7.16	2.83	6.3 inch

**LED Case Must be Grounded**

**WARNING:** Always Disconnect Power Before Handling. Case Should be Grounded. Install in Accordance with National and Local Electrical Codes



# Sage

## **347V Dimmable Constant Voltage LED Drivers**

Sage offers a large selection of 347V & 347-480V Dimmable Constant Voltage LED Drivers. These drivers are available in multiple Form factor.

It is also easy to combine into common dimming systems accessible in commercial applications.

Output Voltage: 12V to 48V



# 347V LED DRIVER 60W 0-10V Dimming

## Low Voltage 12V Output Constant Voltage Max 60W

347V input Electronic LED Driver. 12V output Constant Voltage for Single circuit 60W maximum.

### Technical Specification:

Class 2 UL, CUL Recognized, ROHS Compliant  
 EMI FCC Part 15, Class A  
 Rating: IP 65 Damp, Dry  
 Output Open/Short Protection  
 Min. Starting Temp: -40° C  
 Max. Case Temp: 90° C  
 Typical Efficiency: 88%

Input Voltage range:  $\pm 10\%$   
 Output Load range:  $\pm 5\%$   
 THD: < 20%  
 Input Frequency: 50/60HZ  
 Power Factor Min: 0.90  
 Remote Wiring Distance Full Load: 18AWG -18 ft  
 Surge Protection: 2 KV

Case Size: Series MU2

Due to continuing efforts to offer improved products all specifications are subject to change without prior notice

2/2/17

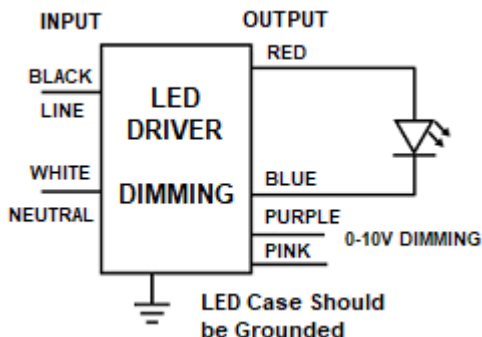
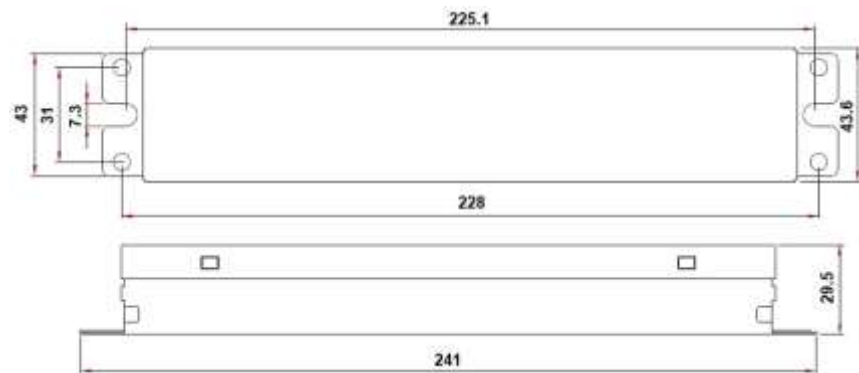
INPUT VOLTAGE	INPUT CURRENT	INPUT WATTS	OUTPUT POWER WATTS MAX	OUTPUT VOLTAGE	OUTPUT CURRENT AMPS	MODEL
347	0.20A	71	60	12V	0.5-5A	NC12V60WSDIM

#### LIMITED WARRANTY

5 YEAR at maximum case temperature 75 deg C. 3 YEAR at maximum case temperature 90 deg C. Manufacturer warrants to the purchaser: Product will be free from defects in material or workmanship from the date of manufacture conditioned upon proper storage, installation, use, and maintenance and conformance with any recommendations of Manufacturer

#### Lead Length

Colour	inc	cm
Black	6	15.2
White	6	15.2
Blue	6	15.2
Red	6	15.2
Pink	7.1	18
Purple	7.1	18



#### 0-10V Dimmer Compatibility Chart

LUTRON	LEVITON
NFTV	DS710-10Z
DVTV-WH	

#### Case Size Series MU2

L	W	H	ML
241	43	29.5	226mm
9.5	1.7	1.2	8.9 inch

**WARNING:** Always Disconnect Power Before Handling. Case Should be Grounded. Install in Accordance with National and Local Electrical Codes

# 347V LED DRIVER 100W 0-10V Dimming

## Low Voltage 12V Output Constant Voltage Max 100W

347V input Electronic LED Driver. 12V output Constant Voltage for Single circuit 100W maximum. Dimming Range 10-100%.

### Technical Specification:

Class 2 UL, CUL Recognized, ROHS Compliant  
 EMI FCC Part 15, Class A  
 Rating: IP 65 Damp, Dry  
 Output Open/Short Protection  
 Min. Starting Temp: - 40° C  
 Max. Case Temp: 90° C  
 Typical Efficiency: 89%

Input Voltage range:  $\pm 10\%$   
 Output Load range  $\pm 5\%$   
 Input Frequency: 50/60HZ  
 THD: < 20%  
 Power Factor Min: 0.90  
 Remote Mounting Distance: 18AWG -18 ft

Case Size: Series FS3

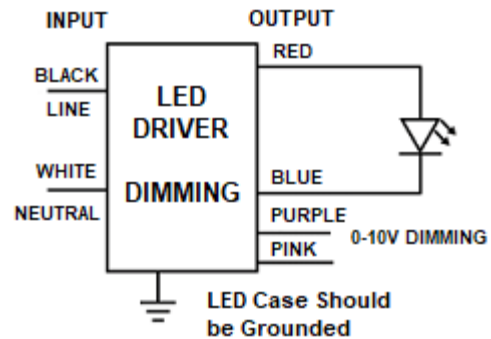
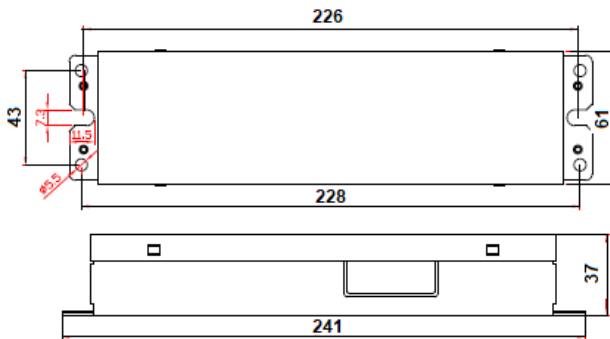
Due to continuing efforts to offer improved products all specifications are subject to change without prior notice

2/9/17

INPUT VOLTAGE	INPUT CURRENT	INPUT WATTS	OUTPUT POWER WATTS MAX	OUTPUT VOLTAGE	OUTPUT CURRENT AMPS	MODEL
347	0.32A	112	100	12V	0.833 - 8.33A	NC12V100WSDIM

#### LIMITED WARRANTY

5 YEAR at maximum case temperature 75 deg C. 3 YEAR at maximum case temperature 90 deg C. Manufacturer warrants to the purchaser: Product will be free from defects in material or workmanship from the date of manufacture conditioned upon proper storage, installation, use, and maintenance and conformance with any recommendations of Manufacturer



#### Lead Length

Colour	inc	cm
Black	6	15.2
White	6	15.2
Blue	6	15.2
Red	6	15.2
Pink	7.1	18
Purple	7.1	18

#### 0-10V Dimmer Compatibility Chart

LUTRON	LEVITON
NFTV	DS710-10Z
DVTV-WH	

#### Case Size Series FS3

L	W	H	ML
241	61	37	226mm
9.5	2.4	1.46	8.9inch

**WARNING:** Always Disconnect Power Before Handling. Case Should be Grounded. Install in Accordance with National and Local Electrical Codes

# 347V LED DRIVER 150W 0-10V Dimming

## Low Voltage 12V Output Constant Voltage Max 150W

347V input Electronic LED Driver. 12V output Constant Voltage for Single circuit 150W maximum. Dimming Range 10-100%.

### Technical Specification:

UL, CUL Recognized, ROHS Compliant  
 EMI FCC Part 15, Class A  
 Rating: IP 65 Damp, Dry  
 Output Open/Short Protection  
 Min. Starting Temp: - 40° C  
 Max. Case Temp: 90° C  
 Typical Efficiency: 90%

Input Voltage range:  $\pm 10\%$   
 Output Load range:  $\pm 5\%$   
 Input Frequency: 50/60HZ  
 THD: < 20%  
 Power Factor Min: 0.90  
 Remote Mounting Distance: 18AWG -18 ft

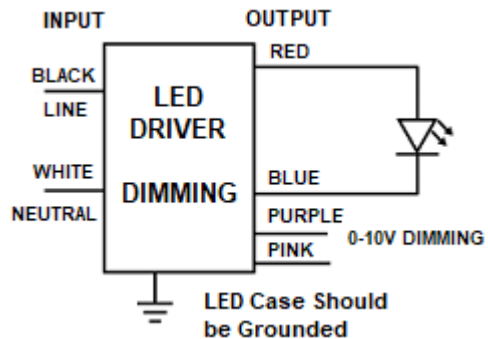
Case Size: Series FS5

Due to continuing efforts to offer improved products all specifications are subject to change without prior notice 1/9/16

INPUT VOLTAGE	INPUT CURRENT	INPUT WATTS	OUTPUT POWER WATTS MAX	OUTPUT VOLTAGE	OUTPUT CURRENT AMPS	MODEL
347	0.48A	166	150	36V	1.25 – 12.5A	NC12V150WSDIM

#### LIMITED WARRANTY

5 YEAR at maximum case temperature 75 deg C. 3 YEAR at maximum case temperature 90 deg C. Manufacturer warrants to the purchaser: Product will be free from defects in material or workmanship from the date of manufacture conditioned upon proper storage, installation, use, and maintenance and conformance with any recommendations of Manufacturer



#### Lead Length

Colour	inc	cm
Black	6	15.2
White	6	15.2
Blue	6	15.2
Red	6	15.2
Pink	7.1	18
Purple	7.1	18

#### 0-10V Dimmer Compatibility Chart

LUTRON	LEVITON
NFTV	DS710-10Z
DVTV-WH	

#### Case Size Series FS5

L	W	H	ML
241	66	40.5	226mm
9.5	2.6	1.6	8.9inch

**WARNING:** Always Disconnect Power Before Handling. Case Should be Grounded. Install in Accordance with National and Local Electrical Codes

# 347V LED DRIVER 60W 0-10V Dimming

## Low Voltage 24V Output Constant Voltage Max 60W

347V input Electronic LED Driver. 24V output Constant Voltage for Single circuit 60W maximum Dimming.

### Technical Specification:

Class 2 UL, CUL Recognized, ROHS Compliant  
 EMI FCC Part 15, Class A  
 Rating: IP 65 Damp, Dry  
 Output Open/Short Protection  
 Min. Starting Temp: -40° C  
 Max. Case Temp: 90° C  
 Typical Efficiency: 88%

Input Voltage range:  $\pm 10\%$   
 Output Load range:  $\pm 5\%$   
 THD: < 20%  
 Input Frequency: 50/60HZ  
 Power Factor Min: 0.90  
 Remote Wiring Distance Full Load: 18AWG -18 ft  
 Surge Protection: 2 KV

Case Size: Series MU2

Due to continuing efforts to offer improved products all specifications are subject to change without prior notice 2/2/17

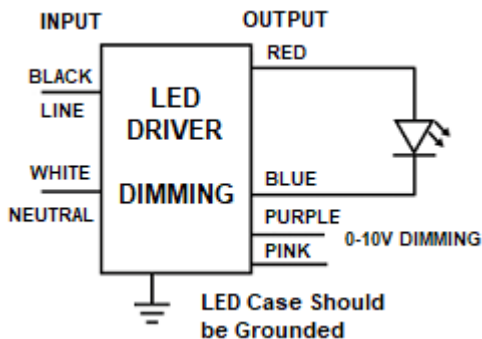
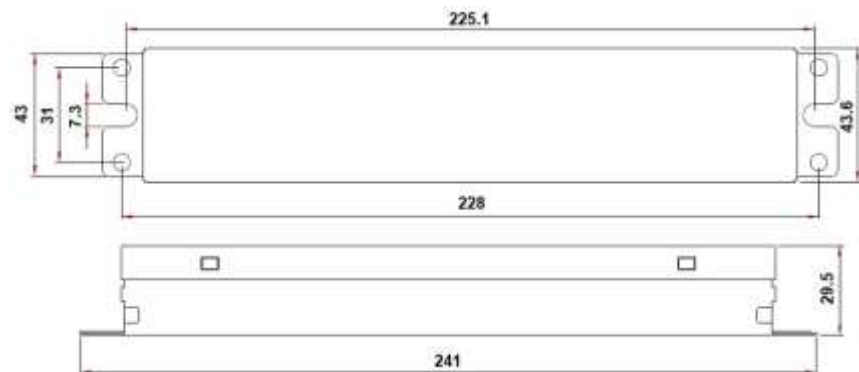
INPUT VOLTAGE	INPUT CURRENT	INPUT WATTS	OUTPUT POWER WATTS MAX	OUTPUT VOLTAGE	OUTPUT CURRENT AMPS	MODEL
347	0.20A	71	60	24	0.25-2.5A	NC24V60WSDIM

#### LIMITED WARRANTY

5 YEAR at maximum case temperature 75 deg C. 3 YEAR at maximum case temperature 90 deg C. Manufacturer warrants to the purchaser: Product will be free from defects in material or workmanship from the date of manufacture conditioned upon proper storage, installation, use, and maintenance and conformance with any recommendations of Manufacturer

#### Lead Length

Colour	inc	cm
Black	6	15.2
White	6	15.2
Blue	6	15.2
Red	6	15.2
Pink	7.1	18
Purple	7.1	18



#### 0-10V Dimmer Compatibility Chart

LUTRON	LEVITON
NFTV	DS710-10Z
DVTV-WH	

#### Case Size Series MU2

L	W	H	ML
241	43	29.5	226mm
9.5	1.7	1.2	8.9 inch

**WARNING: Always Disconnect Power Before Handling. Case Should be Grounded. Install in Accordance with National and Local Electrical Codes.**



# 347V LED DRIVER 100W 0-10V Dimming

## Low Voltage 24V Output Constant Voltage Max 100W

347V input Electronic LED Driver. 24V output Constant Voltage for Single circuit 100W maximum. Dimming Range 10-100%.

### Technical Specification:

Class 2 UL, CUL Recognized, ROHS Compliant  
 EMI FCC Part 15, Class A  
 Rating: IP 65 Damp, Dry  
 Output Open/Short Protection  
 Min. Starting Temp: - 40° C  
 Max. Case Temp: 90° C  
 Typical Efficiency: 90%

Input Voltage range:  $\pm 10\%$   
 Output Load range:  $\pm 5\%$   
 Input Frequency: 50/60HZ  
 THD: < 10%  
 Power Factor Min: 0.90  
 Remote Wiring Distance Full Load: 18AWG -18 ft

Case Size: Series FS3

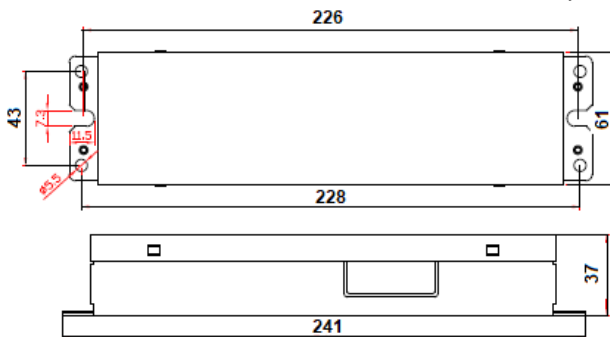
Due to continuing efforts to offer improved products all specifications are subject to change without prior notice

2/6/22

INPUT VOLTAGE	INPUT CURRENT	INPUT WATTS	OUTPUT POWER WATTS MAX	OUTPUT VOLTAGE	OUTPUT CURRENT AMPS	MODEL
347	0.32A	111	100	24V	0.41 - 4.1A	NC24V100WSDIM

#### LIMITED WARRANTY

5 YEAR at maximum case temperature 75 deg C. 3 YEAR at maximum case temperature 90 deg C. Manufacturer warrants to the purchaser: Product will be free from defects in material or workmanship from the date of manufacture conditioned upon proper storage, installation, use, and maintenance and conformance with any recommendations of Manufacturer



#### Lead Length

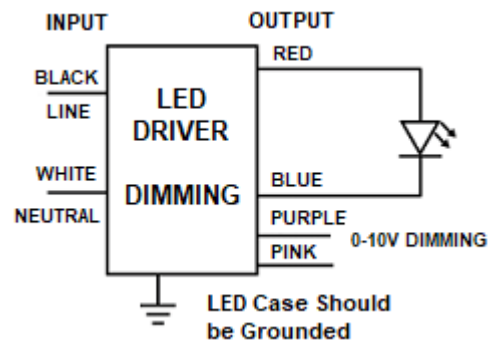
Colour	inc	cm
Black	6	15.2
White	6	15.2
Blue	6	15.2
Red	6	15.2
Pink	7.1	18
Purple	7.1	18

#### 0-10V Dimmer Compatibility Chart

LUTRON	LEVITON
NFTV	DS710-10Z
DVTV-WH	

#### Case Size Series FS3

L	W	H	ML
241	61	37	226mm
9.5	2.4	1.46	8.9inch



**WARNING:** Always Disconnect Power Before Handling. Case Should be Grounded. Install in Accordance with National and Local Electrical Codes

# 347V LED DRIVER 150W 0-10V Dimming

## Low Voltage 24V Output Constant Voltage Max 150W

347V input Electronic LED Driver. 24V output Constant Voltage for Single circuit 150W maximum. Dimming Range 10-100%.

### Technical Specification:

UL, CUL Recognized, ROHS Compliant  
 EMI FCC Part 15, Class A  
 Rating: IP 65 Damp, Dry  
 Output Open/Short Protection  
 Min. Starting Temp: -40° C  
 Max. Case Temp: 90° C  
 Typical Efficiency: 91%

Input Voltage range:  $\pm 10\%$   
 Output Load range:  $\pm 5\%$   
 Input Frequency: 50/60HZ  
 THD: < 20%  
 Power Factor Min: 0.90  
 Remote Wiring Distance Full Load: 18AWG -18 ft

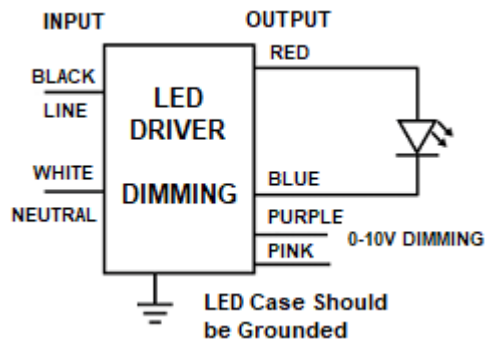
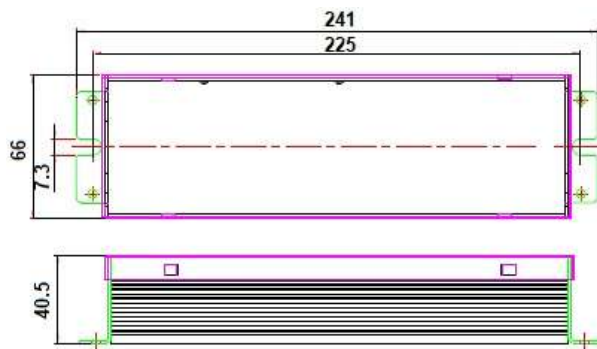
Case Size: Series FS5

Due to continuing efforts to offer improved products all specifications are subject to change without prior notice 1/9/16

INPUT VOLTAGE	OUTPUT POWER WATTS MAX	INPUT CURRENT	INPUT WATTS	OUTPUT VOLTAGE	OUTPUT CURRENT AMPS	MODEL
347	150	0.48A	163	24V	0.625 - 6.25A	NC24V150WSDIM

#### LIMITED WARRANTY

5 YEAR at maximum case temperature 75 deg C. 3 YEAR at maximum case temperature 90 deg C. Manufacturer warrants to the purchaser: Product will be free from defects in material or workmanship from the date of manufacture conditioned upon proper storage, installation, use, and maintenance and conformance with any recommendations of Manufacturer



#### Lead Length

Colour	inc	cm
Black	6	15.2
White	6	15.2
Blue	6	15.2
Red	6	15.2
Pink	7.1	18
Purple	7.1	18

#### 0-10V Dimmer Compatibility Chart

LUTRON	LEVITON
NFTV	DS710-10Z
DVTV-WH	

#### Case Size Series FS5

L	W	H	ML
241	66	40.5	226mm
9.5	2.6	1.6	8.9inch

**WARNING:** Always Disconnect Power Before Handling. Case Should be Grounded. Install in Accordance with National and Local Electrical Codes

# 347V LED DRIVER 60W 0-10V Dimming

## Low Voltage 36V Output Constant Voltage Max 60W

347V input Electronic LED Driver. 36V output Constant Voltage for Single circuit 60W maximum.

### Technical Specification:

Class 2 UL, CUL Recognized, ROHS Compliant  
 EMI FCC Part 15, Class A  
 Rating: IP 65 Damp, Dry  
 Output Open/Short Protection  
 Min. Starting Temp: -40° C  
 Max. Case Temp: 90° C  
 Typical Efficiency: 88%

Input Voltage range:  $\pm 10\%$   
 Output Load range:  $\pm 5\%$   
 THD: < 20%  
 Input Frequency: 50/60HZ  
 Power Factor Min: 0.90  
 Remote Wiring Distance Full Load: 18AWG -18 ft  
 Surge Protection: 2 KV

Case Size: Series MU2

Due to continuing efforts to offer improved products all specifications are subject to change without prior notice 2/2/17

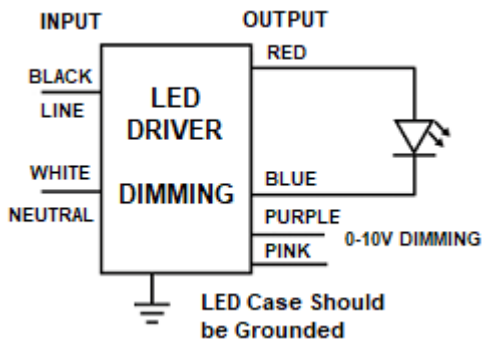
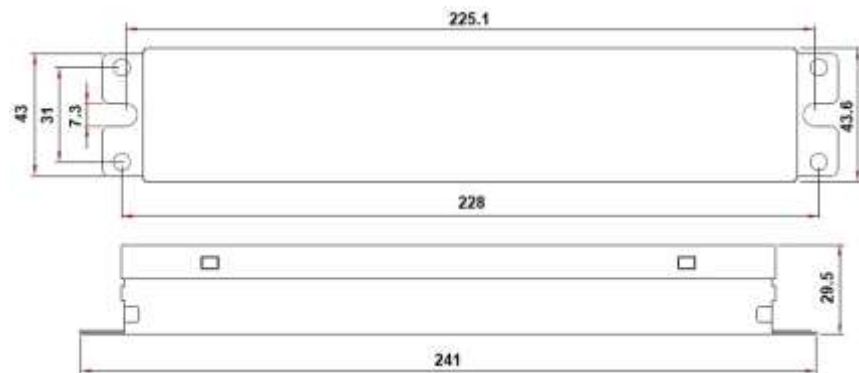
INPUT VOLTAGE	INPUT CURRENT	INPUT WATTS	OUTPUT POWER WATTS MAX	OUTPUT VOLTAGE	OUTPUT CURRENT AMPS	MODEL
347	0.20A	71	60	36V	0.167-1.67A	NC36V60WSDIM

#### LIMITED WARRANTY

5 YEAR at maximum case temperature 75 deg C. 3 YEAR at maximum case temperature 90 deg C. Manufacturer warrants to the purchaser: Product will be free from defects in material or workmanship from the date of manufacture conditioned upon proper storage, installation, use, and maintenance and conformance with any recommendations of Manufacturer

#### Lead Length

Colour	inc	cm
Black	6	15.2
White	6	15.2
Blue	6	15.2
Red	6	15.2
Pink	7.1	18
Purple	7.1	18



#### 0-10V Dimmer Compatibility Chart

LUTRON	LEVITON
NFTV	DS710-10Z
DVTV-WH	

#### Case Size Series MU2

L	W	H	ML
241	43	29.5	226mm
9.5	1.7	1.2	8.9 inch

**WARNING:** Always Disconnect Power Before Handling. Case Should be Grounded. Install in Accordance with National and Local Electrical Codes

# 347V LED DRIVER 100W 0-10V Dimming

## Low Voltage 36V Output Constant Voltage Max 100W

347V input Electronic LED Driver. 36V output Constant Voltage for Single circuit 100W maximum. Dimming Range 10-100%.

### Technical Specification:

Class 2 UL, CUL Recognized, ROHS Compliant  
 EMI FCC Part 15, Class A  
 Rating: IP 65 Damp, Dry  
 Output Open/Short Protection  
 Min. Starting Temp: -40° C  
 Max. Case Temp: 90° C  
 Typical Efficiency: 90%

Input Voltage range:  $\pm 10\%$   
 Output Load range:  $\pm 5\%$   
 Input Frequency: 50/60HZ  
 THD: < 20%  
 Power Factor Min: 0.90  
 Remote Mounting Distance: 18AWG -18 ft

Case Size: Series FS3

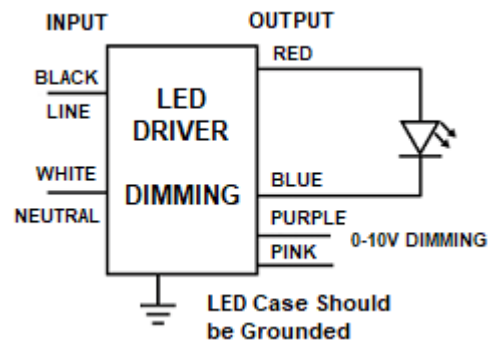
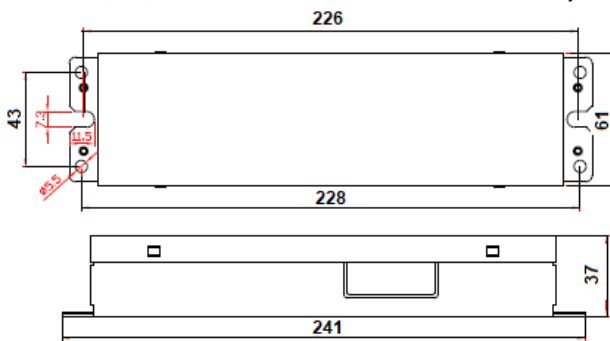
Due to continuing efforts to offer improved products all specifications are subject to change without prior notice

1/9/16

INPUT VOLTAGE	OUTPUT POWER WATTS MAX	INPUT CURRENT	INPUT WATTS	OUTPUT VOLTAGE	OUTPUT CURRENT AMPS	MODEL
347	100	0.32A	111	36V	0.27 - 2.7A	NC36V100WSDIM

#### LIMITED WARRANTY

5 YEAR at maximum case temperature 75 deg C. 3 YEAR at maximum case temperature 90 deg C. Manufacturer warrants to the purchaser: Product will be free from defects in material or workmanship from the date of manufacture conditioned upon proper storage, installation, use, and maintenance and conformance with any recommendations of Manufacturer



#### Lead Length

Colour	inc	cm
Black	6	15.2
White	6	15.2
Blue	6	15.2
Red	6	15.2
Pink	7.1	18
Purple	7.1	18

#### 0-10V Dimmer Compatibility Chart

LUTRON	LEVITON
NFTV	DS710-10Z
DVTV-WH	

#### Case Size Series FS3

L	W	H	ML
241	61	37	226mm
9.5	2.4	1.46	8.9inch

**WARNING:** Always Disconnect Power Before Handling. Case Should be Grounded. Install in Accordance with National and Local Electrical Codes

# 347V LED DRIVER 150W 0-10V Dimming

## Low Voltage 36V Output Constant Voltage Max 150W

347V input Electronic LED Driver. 36V output Constant Voltage for Single circuit 150W maximum. Dimming Range 10-100%.

### Technical Specification:

UL, CUL Recognized, ROHS Compliant  
 EMI FCC Part 15, Class A  
 Rating: IP 65 Damp, Dry  
 Output Open/Short Protection  
 Min. Starting Temp: -40° C  
 Max. Case Temp: 90° C  
 Typical Efficiency: 92%

Input Voltage range:  $\pm 10\%$   
 Output Load range:  $\pm 5\%$   
 Input Frequency: 50/60HZ  
 THD: < 20%  
 Power Factor Min: 0.90  
 Remote Mounting Distance: 18AWG -18 ft

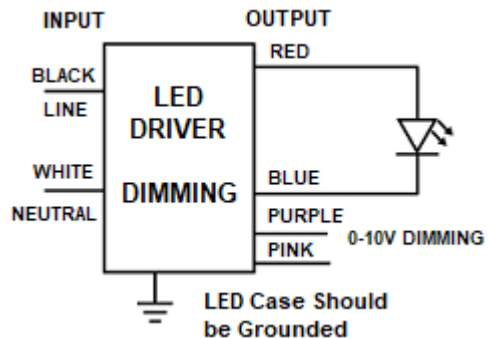
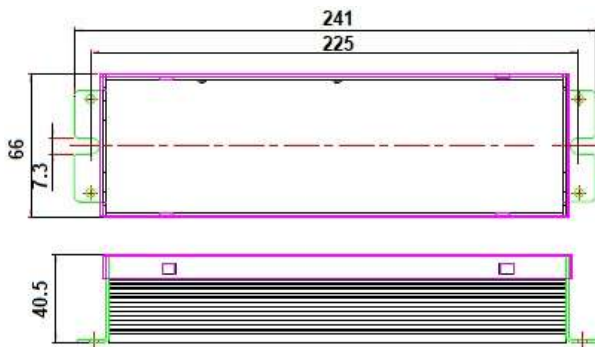
Case Size: Series FS5

Due to continuing efforts to offer improved products all specifications are subject to change without prior notice 1/9/16

INPUT VOLTAGE	OUTPUT POWER WATTS MAX	INPUT CURRENT	INPUT WATTS	OUTPUT VOLTAGE	OUTPUT CURRENT AMPS	MODEL
347	150	0.47A	163	36V	0.416 - 4.16A	NC36V150WSDIM

#### LIMITED WARRANTY

5 YEAR at maximum case temperature 75 deg C. 3 YEAR at maximum case temperature 90 deg C. Manufacturer warrants to the purchaser: Product will be free from defects in material or workmanship from the date of manufacture conditioned upon proper storage, installation, use, and maintenance and conformance with any recommendations of Manufacturer



#### Lead Length

Colour	inc	cm
Black	6	15.2
White	6	15.2
Blue	6	15.2
Red	6	15.2
Pink	7.1	18
Purple	7.1	18

#### 0-10V Dimmer Compatibility Chart

LUTRON	LEVITON
NFTV	DS710-10Z
DVTV-WH	

#### Case Size Series FS5

L	W	H	ML
241	66	40.5	226mm
9.5	2.6	1.6	8.9inch

**WARNING:** Always Disconnect Power Before Handling. Case Should be Grounded. Install in Accordance with National and Local Electrical Codes

# 347V LED DRIVER 60W 0-10V Dimming

## Low Voltage 48V Output Constant Voltage Max 60W

347V input Electronic LED Driver. 48V output Constant Voltage for Single circuit 60W maximum Dimming Range 10-100%.

### Technical Specification:

Class 2 UL Listed, CUL Certified, ROHS Compliant  
 EMI FCC Part 15, Class A  
 Rating: IP 65 Damp, Dry  
 Output Open/Short Protection  
 Min. Starting Temp: -40° C  
 Max. Case Temp: 90° C  
 Typical Efficiency: 88%

Input Voltage range:  $\pm 10\%$   
 Output Load range:  $\pm 5\%$   
 THD: < 20%  
 Input Frequency: 50/60HZ  
 Power Factor Min: 0.90  
 Remote Wiring Distance Full Load: 18AWG -18 ft  
 Surge Protection: 2 KV

Case Size: Series MU2

Due to continuing efforts to offer improved products all specifications are subject to change without prior notice

2/2/17

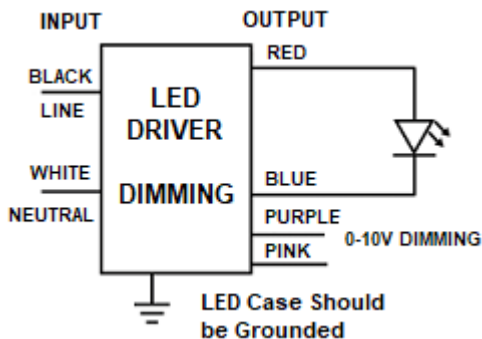
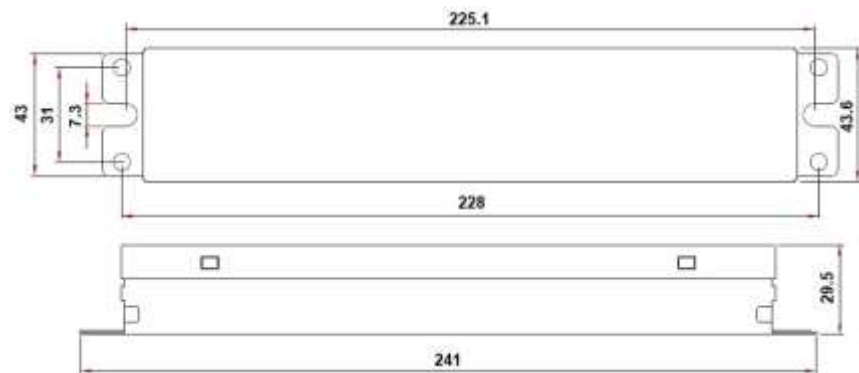
INPUT VOLTAGE	INPUT CURRENT	INPUT WATTS	OUTPUT POWER WATTS MAX	OUTPUT VOLTAGE	OUTPUT CURRENT AMPS	MODEL
347	0.20A	71	60	48V	0.125-1.25A	NC48V60WSDIM

#### LIMITED WARRANTY

5 YEAR at maximum case temperature 75 deg C. 3 YEAR at maximum case temperature 90 deg C. Manufacturer warrants to the purchaser: Product will be free from defects in material or workmanship from the date of manufacture conditioned upon proper storage, installation, use, and maintenance and conformance with any recommendations of Manufacturer

#### Lead Length

Colour	inc	cm
Black	6	15.2
White	6	15.2
Blue	6	15.2
Red	6	15.2
Pink	7.1	18
Purple	7.1	18



#### 0-10V Dimmer Compatibility Chart

LUTRON	LEVITON
NFTV	DS710-10Z
DVTV-WH	

#### Case Size Series MU2

L	W	H	ML
241	43	29.5	226mm
9.5	1.7	1.2	8.9 inch

**WARNING:** Always Disconnect Power Before Handling. Case Should be Grounded. Install in Accordance with National and Local Electrical Codes

# 347V LED DRIVER 100W 0-10V Dimming

## Low Voltage 48V Output Constant Voltage Max 100W

347V input Electronic LED Driver. 48V output Constant Voltage for Single circuit 100W maximum. Dimming Range 10-100%.

### Technical Specification:

Class 2 UL, CUL Recognized, ROHS Compliant  
 EMI FCC Part 15, Class A  
 Rating: IP 65 Damp, Dry  
 Output Open/Short Protection  
 Min. Starting Temp: - 40° C  
 Max. Case Temp: 90° C  
 Typical Efficiency: 91%

Input Voltage range:  $\pm 10\%$   
 Output Load range:  $\pm 5\%$   
 Input Frequency: 50/60HZ  
 THD: < 10%  
 Power Factor Min: 0.90  
 Remote Wiring Distance Full Load: 18AWG -18 ft

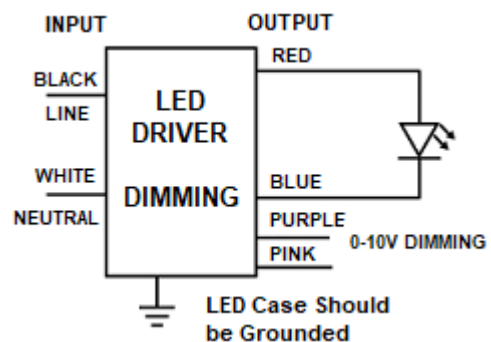
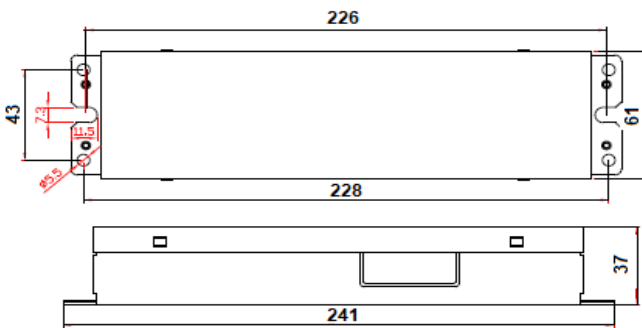
Case Size: Series FS3

Due to continuing efforts to offer improved products all specifications are subject to change without prior notice 2/10/20

INPUT VOLTAGE	OUTPUT POWER WATTS MAX	INPUT CURRENT	INPUT WATTS	OUTPUT VOLTAGE	OUTPUT CURRENT AMPS	MODEL
347	100	0.32A	109	48V	0.208A – 2.08A	<b>NC48V100WSDIM</b>

#### LIMITED WARRANTY

5 YEAR at maximum case temperature 75 deg C. 3 YEAR at maximum case temperature 90 deg C. Manufacturer warrants to the purchaser: Product will be free from defects in material or workmanship from the date of manufacture conditioned upon proper storage, installation, use, and maintenance and conformance with any recommendations of Manufacturer



#### Lead Length

Colour	inc	cm
Black	6	15.2
White	6	15.2
Blue	6	15.2
Red	6	15.2
Pink	7.1	18
Purple	7.1	18

#### 0-10V Dimmer Compatibility Chart

LUTRON	LEVITON
NFTV	DS710-10Z
DVTV-WH	

#### Case Size Series FS3

L	W	H	ML
241	61	37	226mm
9.5	2.4	1.46	8.9inch

**WARNING:** Always Disconnect Power Before Handling. Case Should be Grounded. Install in Accordance with National and Local Electrical Codes

# 347V LED DRIVER 150W 0-10V Dimming

## Low Voltage 48V Output Constant Voltage Max 150W

347V input Electronic LED Driver. 48V output Constant Voltage for Single circuit 150W maximum. Dimming Range 10-100%.

### Technical Specification:

UL, CUL Recognized, ROHS Compliant  
 EMI FCC Part 15, Class A  
 Rating: IP 65 Damp, Dry  
 Output Open/Short Protection  
 Min. Starting Temp: - 40° C  
 Max. Case Temp: 90° C  
 Typical Efficiency: 92%

Input Voltage range:  $\pm 10\%$   
 Output Load range  $\pm 5\%$   
 Input Frequency: 50/60HZ  
 THD: < 20%  
 Power Factor Min: 0.90  
 Remote Wiring Distance Full Load: 18AWG -18 ft

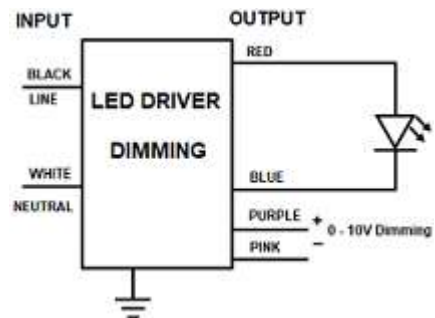
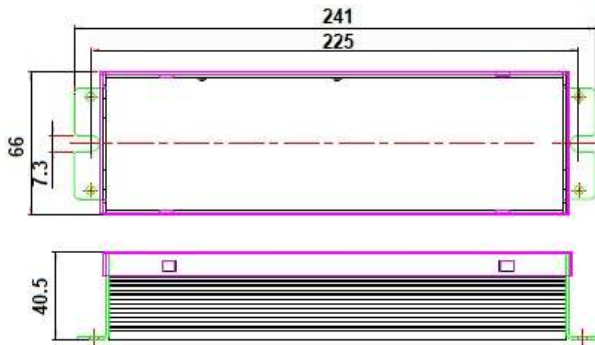
Case Size: Series FS5

Due to continuing efforts to offer improved products all specifications are subject to change without prior notice 1/9/16

INPUT VOLTAGE	OUTPUT POWER WATTS MAX	INPUT CURRENT	INPUT WATTS	OUTPUT VOLTAGE	OUTPUT CURRENT AMPS	MODEL
347	150	0.47A	163	48V	0.312A – 3.12A	NC48V150WSDIM

#### LIMITED WARRANTY

5 YEAR at maximum case temperature 75 deg C. 3 YEAR at maximum case temperature 90 deg C. Manufacturer warrants to the purchaser: Product will be free from defects in material or workmanship from the date of manufacture conditioned upon proper storage, installation, use, and maintenance and conformance with any recommendations of Manufacturer



#### Lead Length

Colour	inch	cm
Black	6	15.2
White	6	15.2
Blue	6	15.2
Red	6	15.2
Gray	6	15.2
Purple	6	15.2

#### 0-10V Dimmer Compatibility Chart

LUTRON	LEVITON
NFTV	DS710-10Z
DVTV-WH	

#### Case Size Series FS5

L	W	H	ML
241	66	40.5	226mm
9.5	2.6	1.6	8.9inch

**WARNING:** Always Disconnect Power Before Handling. Case Should be Grounded. Install in Accordance with National and Local Electrical Codes.



# Sage

## **120-277V Dimmable Constant Voltage LED Drivers**

Sage offers a selection of 120-277V Dimmable Constant Voltage LED Drivers. These drivers are available in multiple Form factor.

It is also easy to combine into common dimming systems accessible in commercial applications.

Output Voltage: 12V to 48V



# LED DRIVER 25W 0-10V Dimming

## Low Voltage 12V Output Constant Voltage Max 25W

Electronic Universal Voltage 120V-277V input LED Driver. 12V output Constant Voltage for Single circuit 25W maximum.

### Technical Specification:

Class 2 UL, CUL Recognized, ROHS Compliant  
 EMI FCC Part 15, Class A  
 Rating: IP 65 Damp, Dry  
 Output Open/Short Protection  
 Min. Starting Temp: - 40° C  
 Max. Case Temp: 90° C  
 Typical Efficiency: 82%

Input Voltage range:  $\pm 10\%$   
 Output Load range  $\pm 5\%$   
 THD: < 10%  
 Input Frequency: 50/60HZ  
 Power Factor Min: 0.90  
 Remote Wiring Distance Full Load: 18AWG -18 ft

Case Size: Series MU2

Due to continuing efforts to offer improved products all specifications are subject to change without prior notice 5/2/17

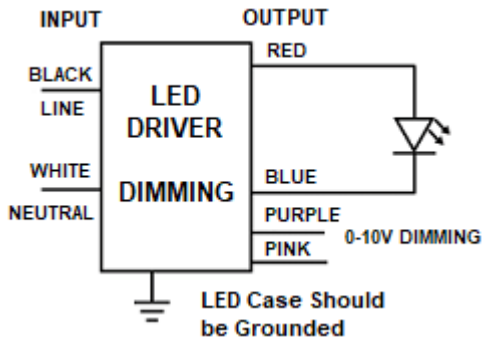
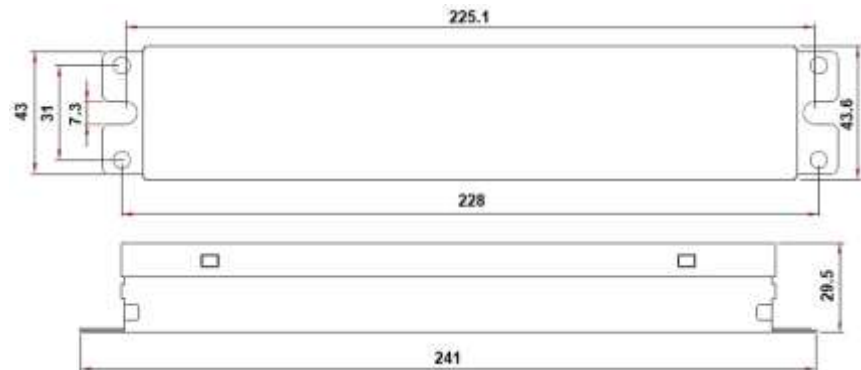
INPUT VOLTAGE	INPUT CURRENT	INPUT WATTS	OUTPUT POWER WATTS MAX	OUTPUT VOLTAGE	OUTPUT CURRENT AMPS	MODEL
120	0.27A	31	2.5 - 25	12V	2.08A	NU12V25WSDIM
277	0.12A					

#### LIMITED WARRANTY

5 YEAR at maximum case temperature 75 deg C. 3 YEAR at maximum case temperature 90 deg C. Manufacturer warrants to the purchaser: Product will be free from defects in material or workmanship from the date of manufacture conditioned upon proper storage, installation, use, and maintenance and conformance with any recommendations of Manufacturer

#### Lead Length

Colour	inc	cm
Black	6	15.2
White	6	15.2
Blue	6	15.2
Red	6	15.2
Pink	7.1	18
Purple	7.1	18



#### 0-10V Dimmer Compatibility Chart

LUTRON	LEVITON
NFTV	DS710-10Z
DVTV-WH	

#### Case Size Series MU2

L	W	H	ML
241	43	29.5	226mm
9.5	1.7	1.2	8.9 inch

**WARNING:** Always Disconnect Power Before Handling. Case Should be Grounded. Install in Accordance with National and Local Electrical Codes

# LED DRIVER 60W 0-10V Dimming

## Low Voltage 12V Output Constant Voltage Max 60W

Electronic Universal Voltage 120V-277V input LED Driver. 12V output Constant Voltage for Single circuit 60W maximum Dimming Range 10-100%.

### Technical Specification:

Class 2 UL, CUL Recognized, ROHS Compliant  
 EMI FCC Part 15, Class A  
 Rating: IP 65 Damp, Dry  
 Output Open/Short Protection  
 Min. Starting Temp: - 40° C  
 Max. Case Temp: 90° C  
 Typical Efficiency: 85%

Input Voltage range:  $\pm 10\%$   
 Output Load range:  $\pm 5\%$   
 THD: < 20%  
 Input Frequency: 50/60HZ  
 Power Factor Min: 0.90  
 Remote Wiring Distance Full Load: 18AWG -18 ft

Case Size: Series MU2

Due to continuing efforts to offer improved products all specifications are subject to change without prior notice

7/3/22

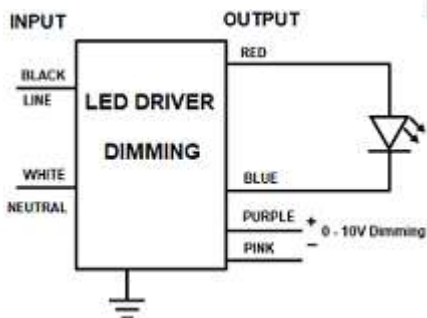
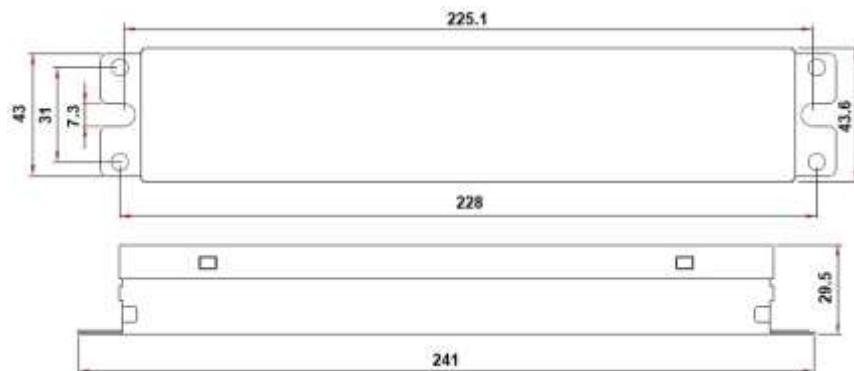
INPUT VOLTAGE	INPUT CURRENT	INPUT WATTS	OUTPUT POWER WATTS MAX	OUTPUT VOLTAGE DC CV	OUTPUT CURRENT DC AMPS	MODEL
120	0.60A	70	60	12	0.5 - 5A	NU12V60WSDIM
277	0.26A					

#### LIMITED WARRANTY

5 YEAR at maximum case temperature 75 deg C. 3 YEAR at maximum case temperature 90 deg C. Manufacturer warrants to the purchaser: Product will be free from defects in material or workmanship from the date of manufacture conditioned upon proper storage, installation, use, and maintenance and conformance with any recommendations of Manufacturer

#### Lead Length

Colour	inc	cm
Black	6	15.2
White	6	15.2
Blue	6	15.2
Red	6	15.2
Pink	7.1	18
Purple	7.1	18



#### 0-10V Dimmer Compatibility Chart

LUTRON	LEVITON
NFTV	DS710-10Z
DTVV-WH	

#### Case Size Series MU2

L	W	H	ML
241	43	29.5	226mm
9.5	1.7	1.2	8.9 inch

**WARNING: Always Disconnect Power Before Handling. Case Should be Grounded. Install in Accordance with National and Local Electrical Codes.**

# LED DRIVER 100W 0-10V Dimming

## Low Voltage 12V Output Constant Voltage Max 100W

Electronic Universal Voltage 120V-277V input LED Driver 0-10V Dimming. 12V output Constant Voltage for Single circuit 100W maximum Dimming Range 10-100%.

### Technical Specification:

Class 2 UL, CUL Recognized, ROHS Compliant  
 EMI FCC Part 15, Class A  
 Rating: IP 65 Damp, Dry  
 Output Open/Short Protection  
 Min. Starting Temp: - 40° C  
 Max. Case Temp: 90° C  
 Typical Efficiency: 88%

Input Voltage range:  $\pm 10\%$   
 Output Load range:  $\pm 5\%$   
 Input Frequency: 50/60HZ  
 THD: < 20%  
 Power Factor Min: 0.90  
 Remote Wiring Distance Full Load: 18AWG -18 ft  
 Surge Protection: 2 KV

Case Size: Series FS3

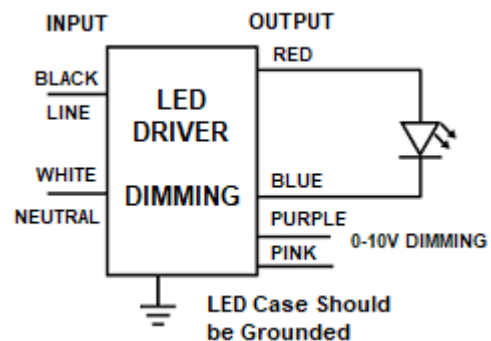
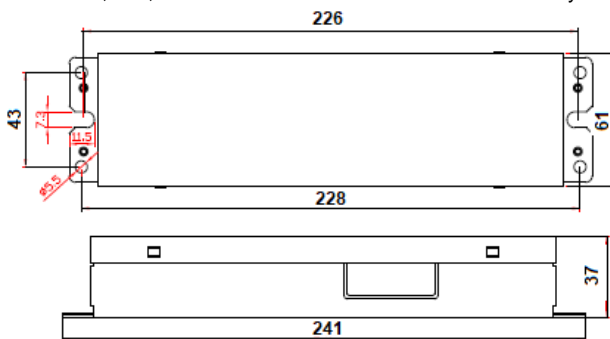
Due to continuing efforts to offer improved products all specifications are subject to change without prior notice

4/3/22

INPUT VOLTAGE	INPUT CURRENT	INPUT WATTS	OUTPUT POWER WATTS MAX	OUTPUT VOLTAGE	OUTPUT CURRENT DC AMPS	MODEL
120	0.98A	112	100	12V	0.8 - 8A	NU12V100WSDIM
277	0.42A					

#### LIMITED WARRANTY

5 YEAR at maximum case temperature 75 deg C. 3 YEAR at maximum case temperature 90 deg C. Manufacturer warrants to the purchaser: Product will be free from defects in material or workmanship from the date of manufacture conditioned upon proper storage, installation, use, and maintenance and conformance with any recommendations of Manufacturer



#### Lead Length

Colour	inc	cm
Black	6	15.2
White	6	15.2
Blue	6	15.2
Red	6	15.2
Pink	7.1	18
Purple	7.1	18

#### 0-10V Dimmer Compatibility Chart

LUTRON	LEVITON
NFTV	DS710-10Z
DVTV-WH	

#### Case Size Series FS3

L	W	H	ML
241	61	37	226mm
9.5	2.4	1.46	8.9inch

**WARNING:** Always Disconnect Power Before Handling. Case Should be Grounded. Install in Accordance with National and Local Electrical Codes

# LED DRIVER 150W 0-10V Dimming

## Low Voltage 12V Output Constant Voltage Max 150W

Electronic Universal Voltage 120V-277V input LED Driver 0-10V Dimming. 12V output Constant Voltage for Single circuit 150W maximum Dimming Range 10-100%.

### Technical Specification:

UL, CUL Recognized, ROHS Compliant  
 EMI FCC Part 15, Class A  
 Rating: IP 65 Damp, Dry  
 Output Open/Short Protection  
 Min. Starting Temp: - 40° C  
 Max. Case Temp: 90° C  
 Typical Efficiency: 90%

Input Voltage range:  $\pm 10\%$   
 Output Load range  $\pm 5\%$   
 Input Frequency: 50/60HZ  
 THD: < 20%  
 Power Factor Min: 0.90  
 Remote Wiring Distance Full Load: 18AWG -18 ft  
 Surge Protection: 2 KV

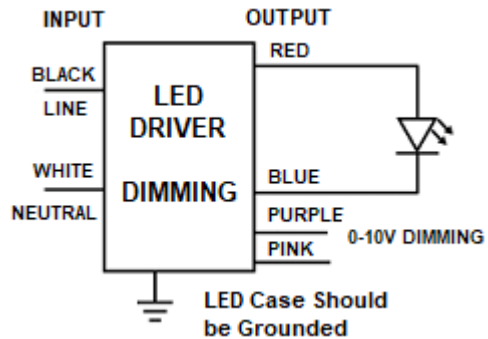
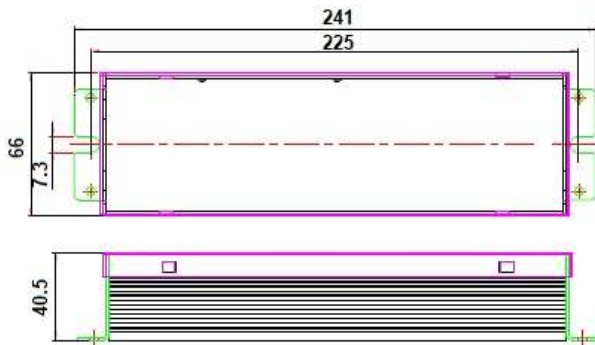
**Case Size: Series FS5**

Due to continuing efforts to offer improved products all specifications are subject to change without prior notice 3/12/20

INPUT VOLTAGE	INPUT CURRENT	INPUT WATTS	OUTPUT POWER WATTS MAX	OUTPUT VOLTAGE	OUTPUT CURRENT DC AMPS	MODEL
120	1.4A	166	150	12V	1.25 - 12.50A	<b>NU12V150WSDIM</b>
277	0.6A					

#### LIMITED WARRANTY

5 YEAR at maximum case temperature 75 deg C. 3 YEAR at maximum case temperature 90 deg C. Manufacturer warrants to the purchaser: Product will be free from defects in material or workmanship from the date of manufacture conditioned upon proper storage, installation, use, and maintenance and conformance with any recommendations of Manufacturer



#### Lead Length

Colour	inc	cm
Black	6	15.2
White	6	15.2
Blue	6	15.2
Red	6	15.2
Pink	7.1	18
Purple	7.1	18

#### 0-10V Dimmer Compatibility Chart

LUTRON	LEVITON
NFTV	DS710-10Z
DVTV-WH	

#### Case Size Series FS5

L	W	H	ML
241	66	40.5	226mm
9.5	2.6	1.6	8.9inch

**WARNING:** Always Disconnect Power Before Handling. Case Should be Grounded. Install in Accordance with National and Local Electrical Codes

# LED DRIVER 25W 0-10V Dimming

## Low Voltage 24V Output Constant Voltage Max 25W

Universal Voltage 120-277V Electronic Constant Voltage LED Driver 0-10V Dimming. 24V output Single circuit 25W maximum.

### Technical Specification:

Class 2 UL, CUL Recognized, ROHS Compliant  
 EMI FCC Part 15, Class A  
 Rating: IP 65 Damp, Dry  
 Output Open/Short Protection  
 Min. Starting Temp: - 40° C  
 Max. Case Temp: 90° C  
 Typical Efficiency: 83%

Input Voltage range:  $\pm 10\%$   
 Output Load range:  $\pm 5\%$   
 THD: < 10%  
 Input Frequency: 50/60HZ  
 Power Factor Min: 0.90  
 Remote Wiring Distance Full Load: 18AWG -18 ft  
 Surge Protection: 2 KV

Case Size: Series MU2

Due to continuing efforts to offer improved products all specifications are subject to change without prior notice 7/11/21

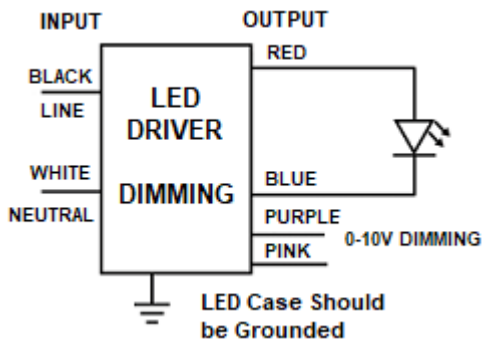
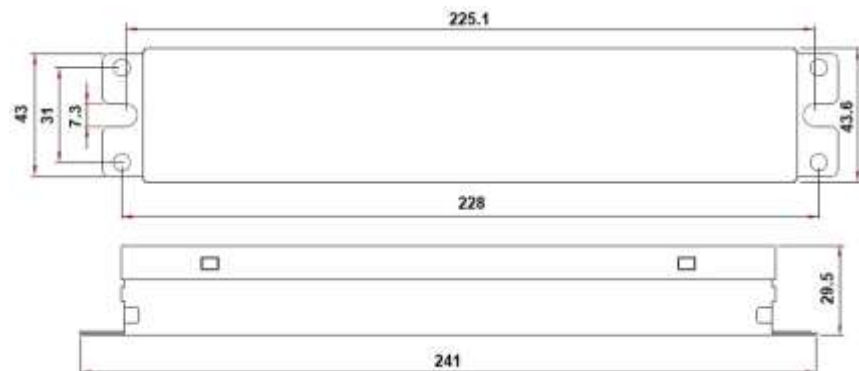
INPUT VOLTAGE	INPUT CURRENT	INPUT WATTS	OUTPUT POWER WATTS MAX	OUTPUT VOLTAGE CV	OUTPUT CURRENT AMPS	MODEL
120	0.26A	31	25	24	1.04A	NU24V25WSDIM
277	0.12A					

#### LIMITED WARRANTY

5 YEAR at maximum case temperature 75 deg C. 3 YEAR at maximum case temperature 90 deg C. Manufacturer warrants to the purchaser: Product will be free from defects in material or workmanship from the date of manufacture conditioned upon proper storage, installation, use, and maintenance and conformance with any recommendations of Manufacturer

#### Lead Length

Colour	inc	cm
Black	6	15.2
White	6	15.2
Blue	6	15.2
Red	6	15.2
Pink	7.1	18
Purple	7.1	18



#### 0-10V Dimmer Compatibility Chart

LUTRON	LEVITON
NFTV	DS710-10Z
DVTV-WH	

#### Case Size Series MU2

L	W	H	ML
241	43	29.5	226mm
9.5	1.7	1.2	8.9 inch

**WARNING:** Always Disconnect Power Before Handling. Case Should be Grounded. Install in Accordance with National and Local Electrical Codes

# LED DRIVER 60W 0-10V Dimming

## Low Voltage 24V Output Constant Voltage Max 60W

Universal Voltage 120-277V Electronic Constant Voltage LED Driver 0-10V Dimming. 24V output Single circuit 60W maximum.

### Technical Specification:

Class 2 UL Listed, CUL Certified, ROHS Compliant  
 EMI FCC Part 15, Class A  
 Rating: IP 65 Damp, Dry  
 Output Open/Short Protection  
 Min. Starting Temp: -40° C  
 Max. Case Temp: 90° C  
 Typical Efficiency: 88%

Input Voltage range:  $\pm 10\%$   
 Output Load range:  $\pm 5\%$   
 THD: < 10%  
 Input Frequency: 50/60HZ  
 Power Factor Min: 0.90  
 Remote Wiring Distance Full Load: 18AWG -18 ft  
 Surge Protection: 2 KV

Case Size: Series MU2

Due to continuing efforts to offer improved products all specifications are subject to change without prior notice 5/2/17

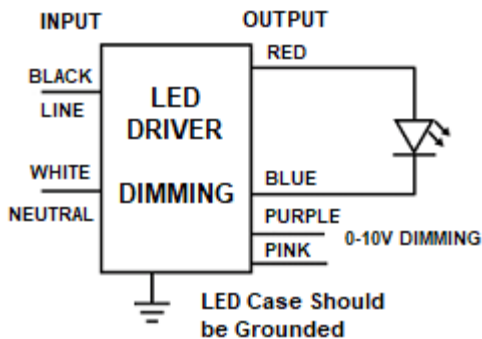
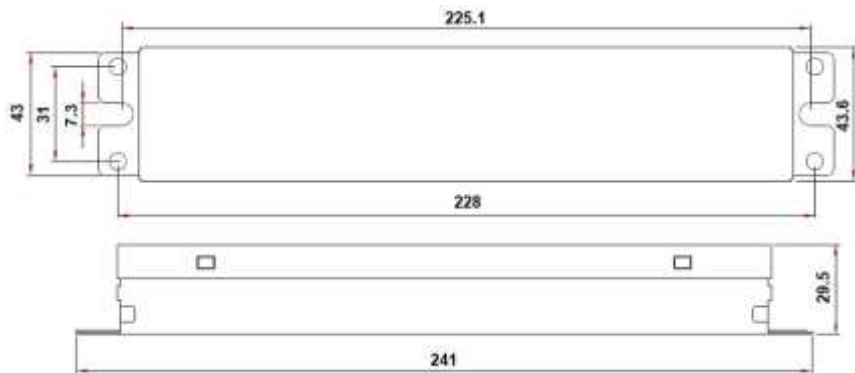
INPUT VOLTAGE	INPUT CURRENT	INPUT WATTS	OUTPUT POWER WATTS MAX	OUTPUT VOLTAGE	OUTPUT CURRENT AMPS	MODEL
120	0.6A	68	60	24V	2.5A	NU24V60WSDIM
277	0.26A					

#### LIMITED WARRANTY

5 YEAR at maximum case temperature 75 deg C. 3 YEAR at maximum case temperature 90 deg C. Manufacturer warrants to the purchaser: Product will be free from defects in material or workmanship from the date of manufacture conditioned upon proper storage, installation, use, and maintenance and conformance with any recommendations of Manufacturer

#### Lead Length

Colour	inc	cm
Black	6	15.2
White	6	15.2
Blue	6	15.2
Red	6	15.2
Pink	7.1	18
Purple	7.1	18



#### 0-10V Dimmer Compatibility Chart

LUTRON	LEVITON
NFTV	DS710-10Z
DVTV-WH	

#### Case Size Series MU2

L	W	H	ML
241	43	29.5	226mm
9.5	1.7	1.2	8.9 inch

**WARNING:** Always Disconnect Power Before Handling. Case Should be Grounded. Install in Accordance with National and Local Electrical Codes



# LED DRIVER 100W 0-10V Dimming

## Low Voltage 24V Output Constant Voltage Max 100W

Electronic Universal Voltage 120V-277V input LED Driver 0-10V Dimming. 24V output Constant Voltage for Single circuit 100W maximum Dimming Range 10-100%.

### Technical Specification:

Class 2 UL, CUL Recognized, ROHS Compliant  
 EMI FCC Part 15, Class A  
 Rating: IP 65 Damp, Dry  
 Output Open/Short Protection  
 Min. Starting Temp: - 40° C  
 Max. Case Temp: 90° C  
 Typical Efficiency: 88%

Input Voltage range:  $\pm 10\%$   
 Output Load range  $\pm 5\%$   
 Input Frequency: 50/60HZ  
 THD: < 10%  
 Power Factor Min: 0.90  
 Remote Wiring Distance Full Load: 18AWG -18 ft  
 Surge Protection: 2 KV

Case Size: Series FS3

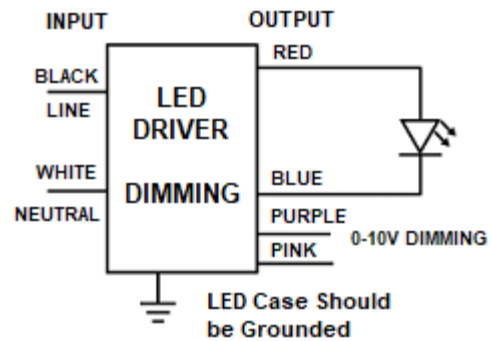
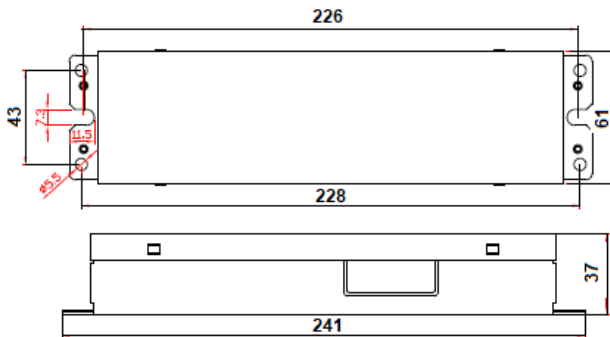
Due to continuing efforts to offer improved products all specifications are subject to change without prior notice

8/9/22

INPUT VOLTAGE	INPUT CURRENT	INPUT WATTS	OUTPUT POWER WATTS MAX	OUTPUT VOLTAGE	OUTPUT CURRENT AMPS	MODEL
120	0.98A	117	100	24V	4.1A	NU24V100WSDIM
277	0.42A					

#### LIMITED WARRANTY

5 YEAR at maximum case temperature 75 deg C. 3 YEAR at maximum case temperature 90 deg C. Manufacturer warrants to the purchaser: Product will be free from defects in material or workmanship from the date of manufacture conditioned upon proper storage, installation, use, and maintenance and conformance with any recommendations of Manufacturer



#### Lead Length

Colour	inc	cm
Black	6	15.2
White	6	15.2
Blue	6	15.2
Red	6	15.2
Pink	7.1	18
Purple	7.1	18

#### 0-10V Dimmer Compatibility Chart

LUTRON	LEVITON
NFTV	DS710-10Z
DVTV-WH	

#### Case Size Series FS3

L	W	H	ML
241	61	37	226mm
9.5	2.4	1.46	8.9inch

**WARNING:** Always Disconnect Power Before Handling. Case Should be Grounded. Install in Accordance with National and Local Electrical Codes

# LED DRIVER 150W 0-10V Dimming

## Low Voltage 24V Output Constant Voltage Max 150W

Electronic Universal Voltage 120V-277V input LED Driver. 24V output Constant Voltage for Single circuit 150W maximum. Dimming Range 10-100%.

### Technical Specification:

UL, CUL Recognized, ROHS Compliant  
 EMI FCC Part 15, Class A  
 Rating: IP 65 Damp, Dry  
 Output Open/Short Protection  
 Min. Starting Temp: - 40° C  
 Max. Case Temp: 90° C  
 Typical Efficiency: 91%

Voltage range:  $\pm 10\%$   
 Output Load range  $\pm 5\%$   
 Input Frequency: 50/60HZ  
 THD: < 20%  
 Power Factor Min: 0.90  
 Remote Wiring Distance Full Load: 18AWG -18 ft  
 Surge Protection: 2 KV

Case Size: Series FS5

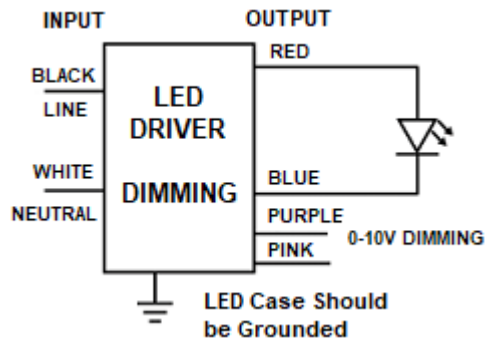
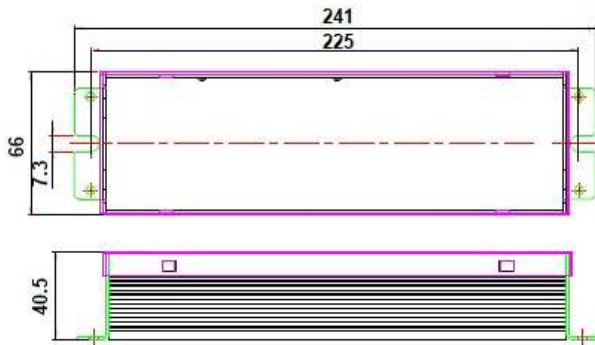
Due to continuing efforts to offer improved products all specifications are subject to change without prior notice

3/12/22

INPUT VOLTAGE	INPUT CURRENT	INPUT WATTS	OUTPUT POWER WATTS MAX	OUTPUT VOLTAGE	OUTPUT CURRENT AMPS	MODEL
120	1.48A	165	150	24V	0.625 - 6.25A	NU24V150WSDIM
277	0.62A					

#### LIMITED WARRANTY

5 YEAR at maximum case temperature 75 deg C. 3 YEAR at maximum case temperature 90 deg C. Manufacturer warrants to the purchaser: Product will be free from defects in material or workmanship from the date of manufacture conditioned upon proper storage, installation, use, and maintenance and conformance with any recommendations of Manufacturer



#### Lead Length

Colour	inc	cm
Black	6	15.2
White	6	15.2
Blue	6	15.2
Red	6	15.2
Pink	7.1	18
Purple	7.1	18

#### 0-10V Dimmer Compatibility Chart

LUTRON	LEVITON
NFTV	DS710-10Z
DVTV-WH	

#### Case Size Series FS5

L	W	H	ML
241	66	40.5	226mm
9.5	2.6	1.6	8.9inch

**WARNING:** Always Disconnect Power Before Handling. Case Should be Grounded. Install in Accordance with National and Local Electrical Codes

# LED DRIVER 60W 0-10V Dimming

## Low Voltage 36V Output Constant Voltage Max 60W

Electronic Universal Voltage 120V-277V input LED Driver. 36V output Constant Voltage for Single circuit 60W maximum.

### Technical Specification:

Class 2 UL, CUL Recognized, ROHS Compliant  
 EMI FCC Part 15, Class A  
 Rating: IP 65 Damp, Dry  
 Output Open/Short Protection  
 Min. Starting Temp: -40° C  
 Max. Case Temp: 90° C  
 Typical Efficiency: 88%

Input Voltage range:  $\pm 10\%$   
 Output Load range:  $\pm 5\%$   
 THD: < 20%  
 Input Frequency: 50/60HZ  
 Power Factor Min: 0.90  
 Remote Wiring Distance Full Load: 18AWG -18 ft  
 Surge Protection: 2 KV

Case Size: Series MU2

Due to continuing efforts to offer improved products all specifications are subject to change without prior notice 3/1/20

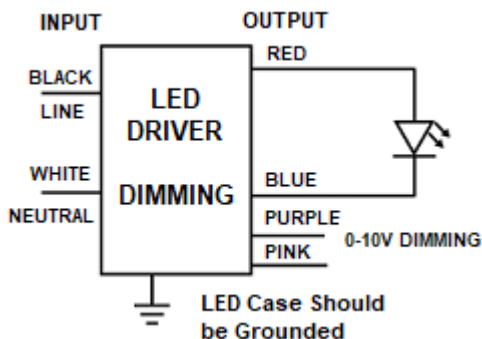
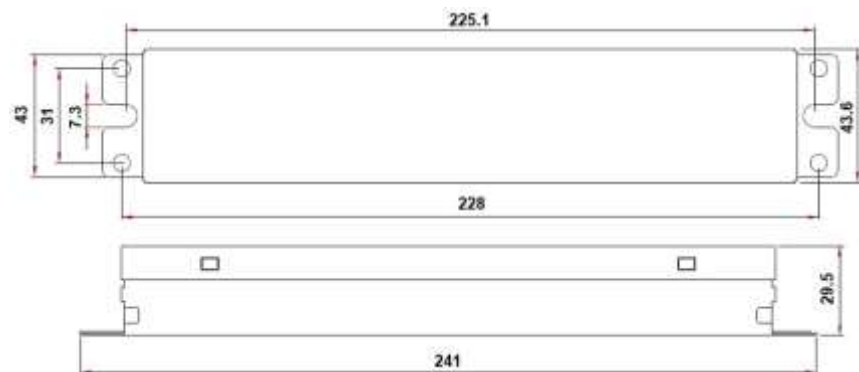
INPUT VOLTAGE	INPUT CURRENT	INPUT WATTS	OUTPUT POWER WATTS MAX	OUTPUT VOLTAGE	OUTPUT CURRENT AMPS	MODEL
120	0.6A	68	60	36V	0.166A – 1.66A	NU36V60WSDIM
277	0.26A					

#### LIMITED WARRANTY

5 YEAR at maximum case temperature 75 deg C. 3 YEAR at maximum case temperature 90 deg C. Manufacturer warrants to the purchaser: Product will be free from defects in material or workmanship from the date of manufacture conditioned upon proper storage, installation, use, and maintenance and conformance with any recommendations of Manufacturer

#### Lead Length

Colour	inc	cm
Black	6	15.2
White	6	15.2
Blue	6	15.2
Red	6	15.2
Pink	7.1	18
Purple	7.1	18



#### 0-10V Dimmer Compatibility Chart

LUTRON	LEVITON
NFTV	DS710-10Z
DVTV-WH	

#### Case Size Series MU2

L	W	H	ML
241	43	29.5	226mm
9.5	1.7	1.2	8.9 inch

**WARNING:** Always Disconnect Power Before Handling. Case Should be Grounded. Install in Accordance with National and Local Electrical Codes

# LED DRIVER 100W 0-10V Dimming

## Low Voltage 36V Output Constant Voltage Max 100W

Electronic Universal Voltage 120V-277V input LED Driver 0-10V Dimming. 36V output Constant Voltage for Single circuit 100W maximum Dimming Range 10-100%.

### Technical Specification:

Class 2 UL, CUL Recognized, ROHS Compliant  
 EMI FCC Part 15, Class A  
 Rating: IP 65 Damp, Dry  
 Output Open/Short Protection  
 Min. Starting Temp: -40° C  
 Max. Case Temp: 90° C  
 Typical Efficiency: 90%

Input Voltage range:  $\pm 10\%$   
 Output Load range:  $\pm 5\%$   
 Input Frequency: 50/60HZ  
 THD: < 10%  
 Power Factor Min: 0.90  
 Remote Wiring Distance Full Load: 18AWG -18 ft  
 Surge Protection: 2 KV

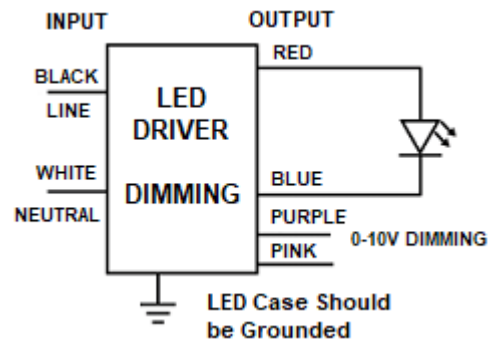
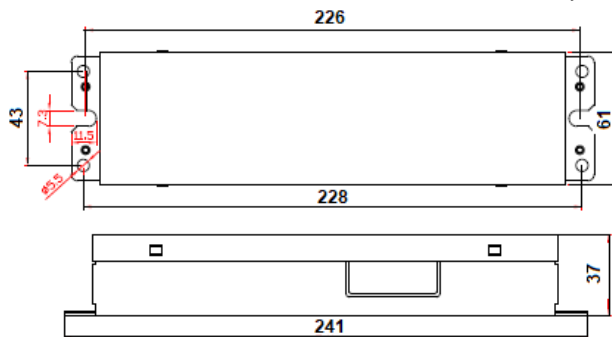
Case Size: Series FS3

Due to continuing efforts to offer improved products all specifications are subject to change without prior notice 1/9/16

INPUT VOLTAGE	INPUT CURRENT	INPUT WATTS	OUTPUT POWER WATTS MAX	OUTPUT VOLTAGE	OUTPUT CURRENT AMPS	MODEL
120	0.98A	111	100	36V	0.27 - 2.7A	NU36V100WSDIM
277	0.42A					

#### LIMITED WARRANTY

5 YEAR at maximum case temperature 75 deg C. 3 YEAR at maximum case temperature 90 deg C. Manufacturer warrants to the purchaser: Product will be free from defects in material or workmanship from the date of manufacture conditioned upon proper storage, installation, use, and maintenance and conformance with any recommendations of Manufacturer



#### Lead Length

Colour	inc	cm
Black	6	15.2
White	6	15.2
Blue	6	15.2
Red	6	15.2
Pink	7.1	18
Purple	7.1	18

#### 0-10V Dimmer Compatibility Chart

LUTRON	LEVITON
NFTV	DS710-10Z
DVTV-WH	

#### Case Size Series FS3

L	W	H	ML
241	61	37	226mm
9.5	2.4	1.46	8.9inch

**WARNING:** Always Disconnect Power Before Handling. Case Should be Grounded. Install in Accordance with National and Local Electrical Codes

# LED DRIVER 150W 0-10V Dimming

## Low Voltage 36V Output Constant Voltage Max 150W

Universal Voltage 120V-277V input Electronic Constant Voltage LED Driver 0-10V Dimming. 36V output for Single circuit 150W maximum.

### Technical Specification:

UL, CUL Certified, ROHS Compliant  
 EMI FCC Part 15, Class A  
 Rating: IP 65 Damp, Dry  
 Output Open/Short Protection  
 Min. Starting Temp: - 40° C  
 Max. Case Temp: 90° C  
 Typical Efficiency: 91%

Input Voltage range:  $\pm 10\%$   
 Output Load range  $\pm 5\%$   
 Input Frequency: 50/60HZ  
 THD: < 20%  
 Power Factor Min: 0.90  
 Remote Wiring Distance Full Load: 18AWG -18 ft  
 Surge Protection: 2 KV

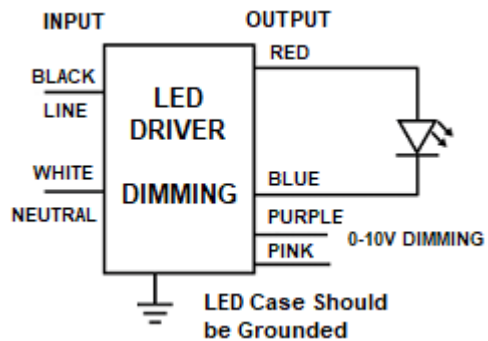
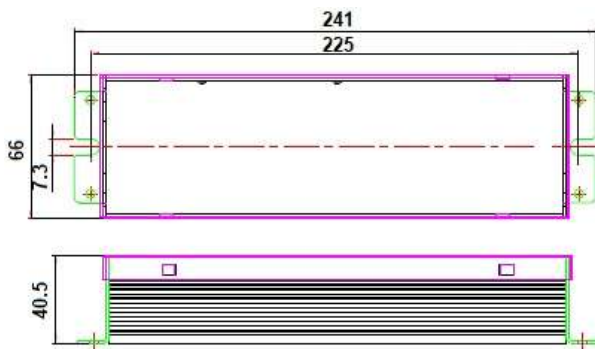
Case Size: Series FS5

Due to continuing efforts to offer improved products all specifications are subject to change without prior notice 3/9/16

INPUT VOLTAGE	INPUT CURRENT	INPUT WATTS	OUTPUT POWER WATTS MAX	OUTPUT VOLTAGE	OUTPUT CURRENT AMPS	MODEL
120	1.48A	163	150	36V	0.416 – 4.16A	NU36V150WSDIM
277	0.62A					

#### LIMITED WARRANTY

5 YEAR at maximum case temperature 75 deg C. 3 YEAR at maximum case temperature 90 deg C. Manufacturer warrants to the purchaser: Product will be free from defects in material or workmanship from the date of manufacture conditioned upon proper storage, installation, use, and maintenance and conformance with any recommendations of Manufacturer



#### Lead Length

Colour	inc	cm
Black	6	15.2
White	6	15.2
Blue	6	15.2
Red	6	15.2
Pink	7.1	18
Purple	7.1	18

#### 0-10V Dimmer Compatibility Chart

LUTRON	LEVITON
NFTV	DS710-10Z
DVTV-WH	

#### Case Size Series FS5

L	W	H	ML
241	66	40.5	226mm
9.5	2.6	1.6	8.9inch

**WARNING:** Always Disconnect Power Before Handling. Case Should be Grounded. Install in Accordance with National and Local Electrical Codes

# LED DRIVER 60W 0-10V Dimming

## Low Voltage 48V Output Constant Voltage Max 60W

Electronic Universal Voltage 120V-277V input LED Driver. 48V output Constant Voltage for Single circuit 60W maximum.

### Technical Specification:

Class 2 UL, CUL Recognized, ROHS Compliant  
 EMI FCC Part 15, Class A  
 Rating: IP 65 Damp, Dry  
 Output Open/Short Protection  
 Min. Starting Temp: - 40° C  
 Max. Case Temp: 90° C  
 Typical Efficiency: 88%

Input Voltage range:  $\pm 10\%$   
 Output Load range:  $\pm 5\%$   
 Input Frequency: 50/60HZ  
 THD: < 10%  
 Power Factor Min: 0.90  
 Remote Wiring Distance Full Load: 18AWG -18 ft  
 Surge Protection: 2 KV

Case Size: Series MU2

Due to continuing efforts to offer improved products all specifications are subject to change without prior notice 3/7/19

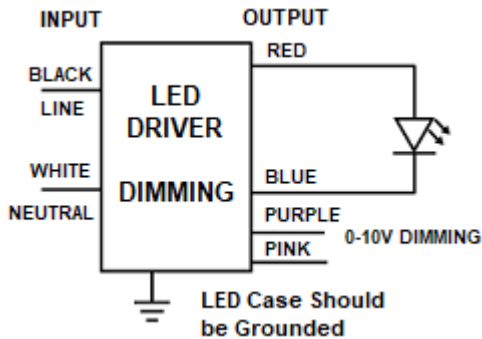
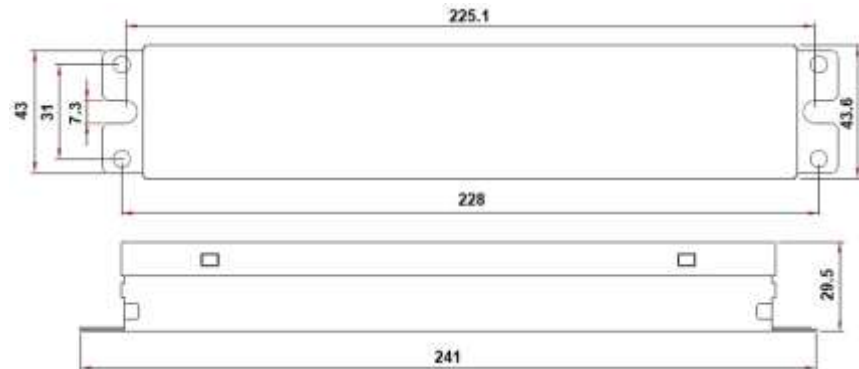
INPUT VOLTAGE	INPUT CURRENT	INPUT WATTS	OUTPUT POWER WATTS MAX	OUTPUT VOLTAGE	OUTPUT CURRENT AMPS	MODEL
120	0.6A	71	60	48V	0.125A – 1.25A	NU48V60WSDIM
277	0.26A					

#### LIMITED WARRANTY

5 YEAR at maximum case temperature 75 deg C. 3 YEAR at maximum case temperature 90 deg C. Manufacturer warrants to the purchaser: Product will be free from defects in material or workmanship from the date of manufacture conditioned upon proper storage, installation, use, and maintenance and conformance with any recommendations of Manufacturer

#### Lead Length

Colour	inc	cm
Black	6	15.2
White	6	15.2
Blue	6	15.2
Red	6	15.2
Pink	7.1	18
Purple	7.1	18



#### 0-10V Dimmer Compatibility Chart

LUTRON	LEVITON
NFTV	DS710-10Z
DVTV-WH	

#### Case Size Series MU2

L	W	H	ML
241	43	29.5	226mm
9.5	1.7	1.2	8.9 inch

**WARNING:** Always Disconnect Power Before Handling. Case Should be Grounded. Install in Accordance with National and Local Electrical Codes

# LED DRIVER 100W 0-10V Dimming

## Low Voltage 48V Output Constant Voltage Max 100W

Electronic Universal Voltage 120V-277V input LED Driver. 48V output Constant Voltage for Single circuit 100W maximum. Dimming Range 10-100%.

### Technical Specification:

Class 2 UL, CUL Recognized, ROHS Compliant  
 EMI FCC Part 15, Class A  
 Rating: IP 65 Damp, Dry  
 Output Open/Short Protection  
 Min. Starting Temp: - 40° C  
 Max. Case Temp: 90° C  
 Typical Efficiency: 91%

Input Voltage range:  $\pm 10\%$   
 Output Load range  $\pm 5\%$   
 Input Frequency: 50/60HZ  
 THD: < 10%  
 Power Factor Min: 0.90  
 Remote Wiring Distance Full Load: 18AWG -18 ft  
 Surge Protection: 2 KV

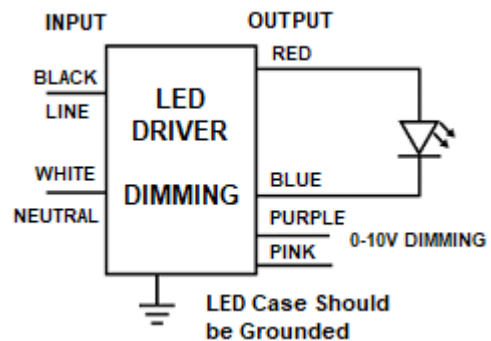
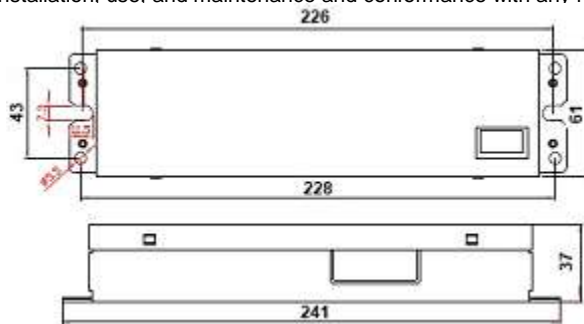
Case Size: Series FS3

Due to continuing efforts to offer improved products all specifications are subject to change without prior notice 5/04/23

INPUT VOLTAGE	INPUT CURRENT	INPUT WATTS	OUTPUT POWER WATTS MAX	OUTPUT VOLTAGE	OUTPUT CURRENT AMPS	MODEL
120	0.98A	109	100	48V	0.208A – 2.08A	NU48V100WSDIM
277	0.42A					

#### LIMITED WARRANTY

5 YEAR at maximum case temperature 75 deg C. 3 YEAR at maximum case temperature 90 deg C. Manufacturer warrants to the purchaser: Product will be free from defects in material or workmanship from the date of manufacture conditioned upon proper storage, installation, use, and maintenance and conformance with any recommendations of Manufacturer



#### Lead Length

Colour	inc	cm
Black	6	15.2
White	6	15.2
Blue	6	15.2
Red	6	15.2
Pink	7.1	18
Purple	7.1	18

#### 0-10V Dimmer Compatibility Chart

LUTRON	LEVITON
NFTV	DS710-10Z
DVTV-WH	

#### Case Size Series FS3

L	W	H	ML
241	61	37	226mm
9.5	2.4	1.46	8.9inch

**WARNING:** Always Disconnect Power Before Handling. Case Should be Grounded. Install in Accordance with National and Local Electrical Codes

# LED DRIVER 150W 0-10V Dimming

## Low Voltage 48V Output Constant Voltage Max 150W

Electronic Universal Voltage 120V-277V input LED Driver. 48V output Constant Voltage for Single circuit 150W maximum. Dimming Range 10-100%.

### Technical Specification:

UL, CUL Recognized, ROHS Compliant  
 EMI FCC Part 15, Class A  
 Rating: IP 65 Damp, Dry  
 Output Open/Short Protection  
 Min. Starting Temp: - 40° C  
 Max. Case Temp: 90° C  
 Typical Efficiency: 92%

Input Voltage range:  $\pm 10\%$   
 Output Load range  $\pm 5\%$   
 Input Frequency: 50/60HZ  
 THD: < 10%  
 Power Factor Min: 0.90  
 Remote Wiring Distance Full Load: 18AWG -18 ft  
 Surge Protection: 2 KV

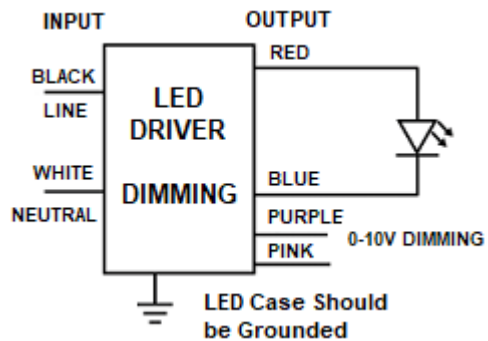
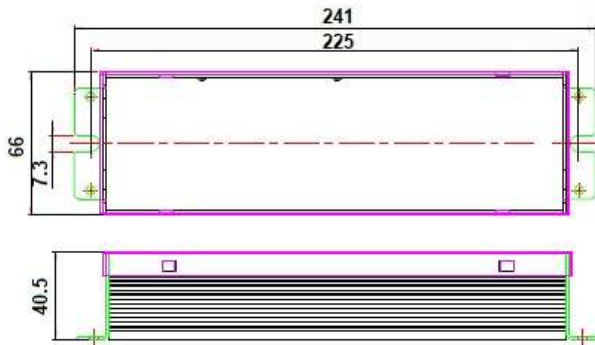
**Case Size: Series FS5**

Due to continuing efforts to offer improved products all specifications are subject to change without prior notice 2/2/21

INPUT VOLTAGE	INPUT CURRENT	INPUT WATTS	OUTPUT POWER WATTS MAX	OUTPUT VOLTAGE	OUTPUT CURRENT AMPS	MODEL
120	1.4A	163	150	48V	0.312A – 3.12A	<b>NU48V150WSDIM</b>
277	0.6A					

#### LIMITED WARRANTY

5 YEAR at maximum case temperature 75 deg C. 3 YEAR at maximum case temperature 90 deg C. Manufacturer warrants to the purchaser: Product will be free from defects in material or workmanship from the date of manufacture conditioned upon proper storage, installation, use, and maintenance and conformance with any recommendations of Manufacturer



#### Lead Length

Colour	inc	cm
Black	6	15.2
White	6	15.2
Blue	6	15.2
Red	6	15.2
Pink	7.1	18
Purple	7.1	18

#### 0-10V Dimmer Compatibility Chart

LUTRON	LEVITON
NFTV	DS710-10Z
DVTV-WH	

#### Case Size Series FS5

L	W	H	ML
241	66	40.5	226mm
9.5	2.6	1.6	8.9inch

**WARNING:** Always Disconnect Power Before Handling. Case Should be Grounded. Install in Accordance with National and Local Electrical Codes



# Sage

## **120-277V & 347V Non-Dimmable Constant Voltage LED Drivers**

Sage offers a large selection of 120-277V & 347V Non-Dimmable Constant Voltage LED Drivers. These drivers are available in multiple Form factor.

Output Voltage: 12V to 48V



# 347V LED DRIVER Single Output Circuit

Low Voltage 12V Output Constant Voltage Max **20W**

Small Case Size

Electronic Universal Voltage 347V input LED Driver. 12V output Constant Voltage for Single circuit 20W maximum.

## Technical Specification:

Class 2 UL, CUL Recognized, ROHS Compliant

EMI FCC Part 15 Class A

Rating: IP 65 Damp, Dry Class 2

Output Open/Short Protection

Min. Starting Temp: - 40° C

Max. Case Temp: 90° C

Typical Efficiency: 84%

Input Voltage range:  $\pm 10\%$

Output Load range  $\pm 5\%$

THD: < 20%

Input Frequency: 50/60HZ

Power Factor Min: 0.90

Remote Wiring Distance Full Load: 18AWG -18 ft

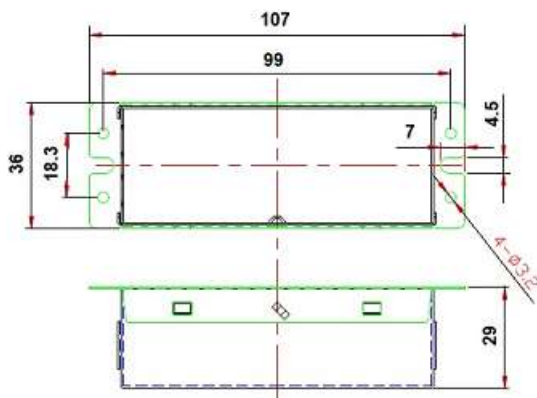
Case Size: Series D2

Due to continuing efforts to offer improved products all specifications are subject to change without prior notice

INPUT VOLTAGE	INPUT CURRENT	INPUT WATTS	OUTPUT POWER WATTS MAX	OUTPUT VOLTAGE	OUTPUT CURRENT DC AMPS	MODEL
347	0.08A	25	20	12V	1.66A	<b>NC12V20WSM</b>

### LIMITED WARRANTY

5 YEAR at maximum case temperature 75 deg C. 3 YEAR at maximum case temperature 90 deg C. Manufacturer warrants to the purchaser: Product will be free from defects in material or workmanship from the date of manufacture conditioned upon proper storage, installation, use, and maintenance and conformance with any recommendations of Manufacturer

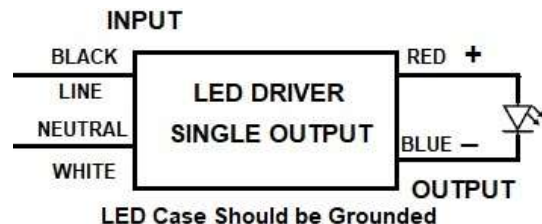


Case Size Series D2

L	W	H	ML
107	36	29	99mm
4.21	1.42	1.14	3.9inch

Lead Length

Colour	inch	cm
Black	6	15.2
White	6	15.2
Blue	6	15.2
Red	6	15.2



**WARNING:** Always Disconnect Power Before Handling. Case Should be Grounded. Install in Accordance with National and Local Electrical Codes

# 347V LED DRIVER 100W Single Output Circuit

## Low Voltage 24V Output Constant Voltage Max **100W**

347V input Electronic LED Driver. 24V output Constant Voltage for Single circuit 100W maximum.

### Technical Specification:

Class 2 UL, CUL Recognized, ROHS Compliant  
 EMI FCC Part 15, Class A  
 Rating: IP65  
 Output Open/Short Protection  
 Min. Starting Temp: -40° C  
 Max. Case Temp: 90° C  
 Typical Efficiency: 87%

Input Voltage range:  $\pm 10\%$   
 Output Load range:  $\pm 5\%$   
 Input Frequency: 50/60HZ  
 THD: < 10%  
 Power Factor Min: 0.90  
 Remote Wiring Distance Full Load: 18AWG -18 ft  
 Surge Protection: 2 KV

Case Size: Series MU2

Due to continuing efforts to offer improved products all specifications are subject to change without prior notice

INPUT VOLTAGE	INPUT CURRENT	INPUT WATTS	OUTPUT POWER WATTS MAX	OUTPUT VOLTAGE	OUTPUT CURRENT AMPS	MODEL
347	0.32A	114	100	24V	4.1A	<b>NC24V100WS</b>

#### LIMITED WARRANTY

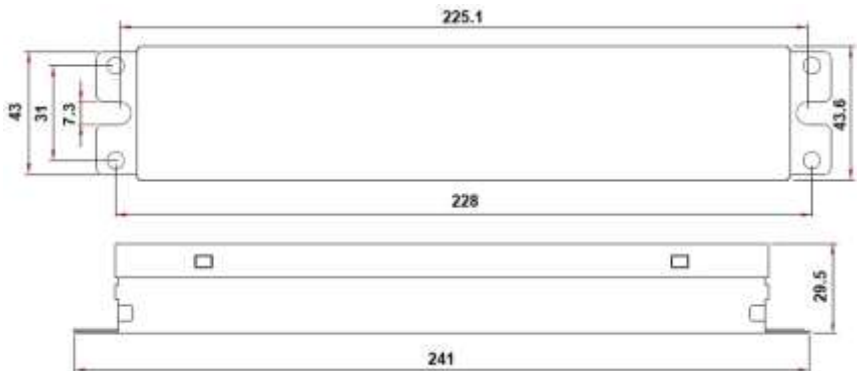
5 YEAR at maximum case temperature 75 deg C. 3 YEAR at maximum case temperature 90 deg C. Manufacturer warrants to the purchaser: Product will be free from defects in material or workmanship from the date of manufacture conditioned upon proper storage, installation, use, and maintenance and conformance with any recommendations of Manufacturer

#### Lead Length

Colour	inch	cm
Black	6	15.2
White	6	15.2
Blue	6	15.2
Red	6	15.2

#### Case Size Series MU2

L	W	H	ML
241	43	29.5	226mm
9.5	1.7	1.2	8.9 inch



**WARNING:** Always Disconnect Power Before Handling. Case Should be Grounded. Install in Accordance with National and Local Electrical Codes

# LED DRIVER 12W Single Output Circuit

Low Voltage 12V Output Constant Voltage Max **12W**

Small Case Size with leads

Electronic Universal Voltage 120V-277V input LED Driver. 12V output Constant Voltage for Single circuit 12W maximum.

## Technical Specification:

Class 2 UL, CUL Recognized, ROHS Compliant

EMI FCC Part 15 Class A

Rating: IP 65 Damp, Dry

Output Open/Short Protection

Min. Starting Temp: - 40° C

Max. Case Temp: 90° C

Typical Efficiency: 80%

Input Voltage range:  $\pm 10\%$

Output Load range  $\pm 5\%$

THD: < 20%

Input Frequency: 50/60HZ

Power Factor Min: 0.90

Remote Wiring Distance Full Load: 18AWG - 18 ft

Case Size: Series D2

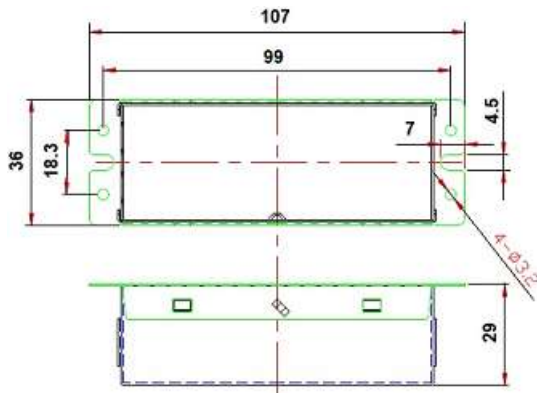
Due to continuing efforts to offer improved products all specifications are subject to change without prior notice

4/2/17

INPUT VOLTAGE	INPUT CURRENT	INPUT WATTS	OUTPUT POWER WATTS MAX	OUTPUT VOLTAGE	OUTPUT CURRENT AMPS	MODEL
120	0.12A	15.2	12	12V	1.0A	NU12V12WSM
277	0.06A					

### LIMITED WARRANTY

5 YEAR at maximum case temperature 75 deg C. 3 YEAR at maximum case temperature 90 deg C. Manufacturer warrants to the purchaser: Product will be free from defects in material or workmanship from the date of manufacture conditioned upon proper storage, installation, use, and maintenance and conformance with any recommendations of Manufacturer



**WARNING:** Always Disconnect Power Before Handling. Case Should be Grounded. Install in Accordance with National and Local Electrical Codes

### Lead Length

Colour	inch	cm
Black	6	15.2
White	6	15.2
Blue	6	15.2
Red	6	15.2

### Case Size Series D2

L	W	H	ML
107	36	29	99mm
4.21	1.42	1.14	3.9inch

901 - 3rd Street West, North Vancouver, BC V7P 3P9 Canada

TEL: 604-904-9533

www.sagedrivers.com www.sagelighting.com

*Sage  
Lighting Ltd.*

# LED DRIVER 20W Single Output Circuit

Low Voltage 12V Output Constant Voltage Max **20W**

Small Case Size with leads

Electronic Universal Voltage 120V-277V input LED Driver. 12V output Constant Voltage for Single circuit 20W maximum.

## Technical Specification:

Class 2 UL, CUL Recognized, ROHS Compliant  
 EMI FCC Part 15 Class A  
 Rating: IP 65 Damp, Dry  
 Output Open/Short Protection  
 Min. Starting Temp: - 40° C  
 Max. Case Temp: 90° C  
 Typical Efficiency: 84%

Input Voltage range:  $\pm 10\%$   
 Output Load range:  $\pm 5\%$   
 THD: < 20%  
 Input Frequency: 50/60HZ  
 Power Factor Min: 0.90  
 Remote Wiring Distance Full Load: 18AWG - 18 ft

Case Size: Series D2

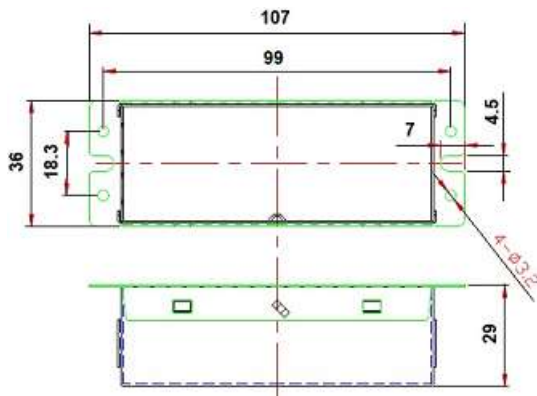
Due to continuing efforts to offer improved products all specifications are subject to change without prior notice

5/5/18

INPUT VOLTAGE	INPUT CURRENT	INPUT WATTS	OUTPUT POWER WATTS MAX	OUTPUT VOLTAGE	OUTPUT CURRENT AMPS	MODEL
120	0.20A	26.4	20	12V	1.66A	NU12V20WSM
277	0.09A					

### LIMITED WARRANTY

5 YEAR at maximum case temperature 75 deg C. 3 YEAR at maximum case temperature 90 deg C. Manufacturer warrants to the purchaser: Product will be free from defects in material or workmanship from the date of manufacture conditioned upon proper storage, installation, use, and maintenance and conformance with any recommendations of Manufacturer



**WARNING:** Always Disconnect Power Before Handling. Case Should be Grounded. Install in Accordance with National and Local Electrical Codes

### Lead Length

Colour	inch	cm
Black	6	15.2
White	6	15.2
Blue	6	15.2
Red	6	15.2

### Case Size Series D2

L	W	H	ML
107	36	29	99mm
4.21	1.42	1.14	3.9inch

# LED DRIVER Single Output Circuit

## Low Voltage 12V Output Constant Voltage Max 25W

Electronic Universal Voltage 120V-277V input LED Driver. 12V output Constant Voltage for Single circuit 25W maximum.

### Technical Specification:

Class 2 UL, CUL Recognized, ROHS Compliant  
 EMI FCC Part 15, Class A  
 Rating: IP 65 Damp, Dry  
 Output Open/Short Protection  
 Min. Starting Temp: - 40° C  
 Max. Case Temp: 90° C  
 Typical Efficiency: 82%

Input Voltage range:  $\pm 10\%$   
 Output Load range:  $\pm 5\%$   
 THD: < 10%  
 Input Frequency: 50/60HZ  
 Power Factor Min: 0.90  
 Remote Wiring Distance Full Load: 18AWG -18 ft

Case Size: Series MU2

Due to continuing efforts to offer improved products all specifications are subject to change without prior notice 6/5/18

INPUT VOLTAGE	INPUT CURRENT	INPUT WATTS	OUTPUT POWER WATTS MAX	OUTPUT VOLTAGE	OUTPUT CURRENT AMPS	MODEL
120	0.27A	31	25	12V	2.08A	NU12V25WS
277	0.12A					

#### LIMITED WARRANTY

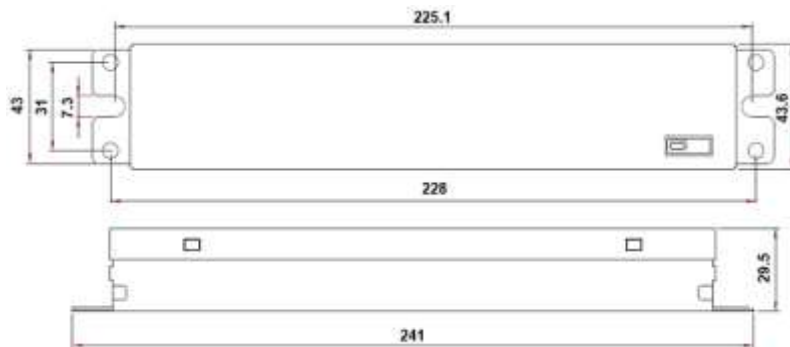
5 YEAR at maximum case temperature 75 deg C. 3 YEAR at maximum case temperature 90 deg C. Manufacturer warrants to the purchaser: Product will be free from defects in material or workmanship from the date of manufacture conditioned upon proper storage, installation, use, and maintenance and conformance with any recommendations of Manufacturer

#### Lead Length

Colour	inch	cm
Black	6	15.2
White	6	15.2
Blue	6	15.2
Red	6	15.2

#### Case Size Series MU2

L	W	H	ML
241	43	29.5	226mm
9.5	1.7	1.2	8.9 inch



**WARNING:** Always Disconnect Power Before Handling. Case Should be Grounded. Install in Accordance with National and Local Electrical Codes

# LED DRIVER Single Output Circuit

## Low Voltage 12V Output Constant Voltage Max 60W

Electronic Universal Voltage 120V-277V input LED Driver. 12V output Constant Voltage for Single circuit 60W maximum.

### Technical Specification:

Class 2 UL, CUL Recognized, ROHS Compliant  
 EMI FCC Part 15, Class A  
 Rating: IP 65 Damp, Dry  
 Output Open/Short Protection  
 Min. Starting Temp: - 40° C  
 Max. Case Temp: 90° C  
 Typical Efficiency: 85.3%

Input Voltage range:  $\pm 10\%$   
 Output Load range  $\pm 5\%$   
 THD:  $< 10\%$   
 Input Frequency: 50/60HZ  
 Power Factor Min: 0.90  
 Remote Wiring Distance Full Load: 18AWG -18 ft

Case Size: Series MU2

Due to continuing efforts to offer improved products all specifications are subject to change without prior notice

6/01/17

INPUT VOLTAGE	INPUT CURRENT	INPUT WATTS	OUTPUT POWER WATTS MAX	OUTPUT VOLTAGE	OUTPUT CURRENT AMPS	MODEL
120	0.61A	72	60	12V	5A	NU12V60WS
277	0.27A					

#### LIMITED WARRANTY

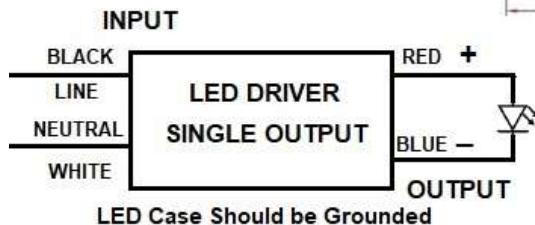
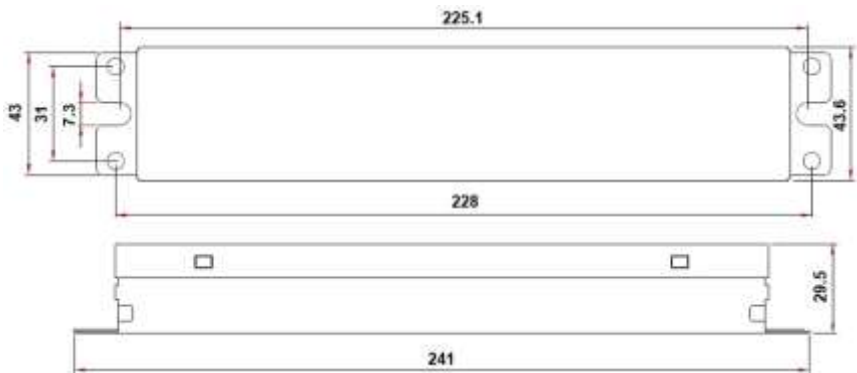
5 YEAR at maximum case temperature 75 deg C. 3 YEAR at maximum case temperature 90 deg C. Manufacturer warrants to the purchaser: Product will be free from defects in material or workmanship from the date of manufacture conditioned upon proper storage, installation, use, and maintenance and conformance with any recommendations of Manufacturer

#### Lead Length

Colour	inch	cm
Black	6	15.2
White	6	15.2
Blue	6	15.2
Red	6	15.2

#### Case Size Series MU2

L	W	H	ML
241	43	29.5	226mm
9.5	1.7	1.2	8.9 inch



**WARNING:** Always Disconnect Power Before Handling. Case Should be Grounded. Install in Accordance with National and Local Electrical Codes



# LED DRIVER Single Output Circuit

Low Voltage 24V Output Constant Voltage Max **12W**

Small Case Size

Electronic Universal Voltage 120V-277V input LED Driver. 24V output Constant Voltage for Single circuit 12W maximum.

## Technical Specification:

Class 2 UL, CUL Recognized, ROHS Compliant  
 EMI FCC Part 15 Class A  
 Rating: IP 65 Damp, Dry  
 Output Open/Short Protection  
 Min. Starting Temp: - 40° C  
 Max. Case Temp: 90° C  
 Typical Efficiency: 83%

Input Voltage range:  $\pm 10\%$   
 Output Load range:  $\pm 5\%$   
 THD: < 25%  
 Input Frequency: 50/60HZ  
 Power Factor Min: 0.90  
 Remote Wiring Distance Full Load: 18AWG -18 ft

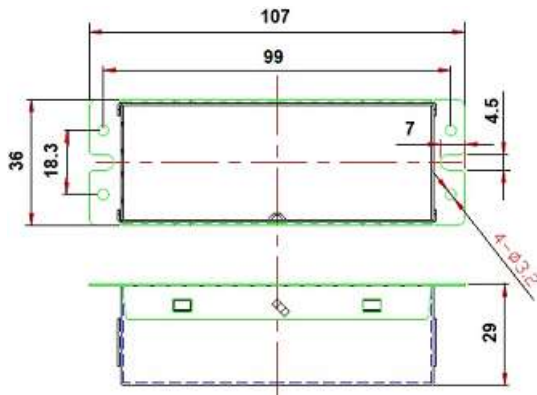
Case Size: Series D2

Due to continuing efforts to offer improved products all specifications are subject to change without prior notice 4/2/17

INPUT VOLTAGE	INPUT CURRENT	INPUT WATTS	OUTPUT POWER WATTS MAX	OUTPUT VOLTAGE	OUTPUT CURRENT AMPS	MODEL
120	0.12A	15	12	24V	0.05-0.5A	NU24V12WSM
277	0.06A					

### LIMITED WARRANTY

5 YEAR at maximum case temperature 75 deg C. 3 YEAR at maximum case temperature 90 deg C. Manufacturer warrants to the purchaser: Product will be free from defects in material or workmanship from the date of manufacture conditioned upon proper storage, installation, use, and maintenance and conformance with any recommendations of Manufacturer



**WARNING:** Always Disconnect Power Before Handling. Case Should be Grounded. Install in Accordance with National and Local Electrical Codes

Colour	inch	cm
Black	6	15.2
White	6	15.2
Blue	6	15.2
Red	6	15.2

Case Size Series D2			
L	W	H	ML
107	36	29	99mm
4.21	1.42	1.14	3.9inch

# LED DRIVER Single Output Circuit

Low Voltage 24V Output Constant Voltage Max **25W**

Small Case Size with Dual Terminal Blocks No Bottom Studs

Electronic Universal Voltage 120V-277V input LED Driver. 24V output Constant Voltage for Single circuit 25W maximum.

## Technical Specification:

Class 2 UL, CUL Recognized, ROHS Compliant

EMI FCC Part 15, Class A

Rating: IP64 Damp, Dry

Output Open/Short Protection

Min. Starting Temp: - 40° C

Max. Case Temp: 90° C

Typical Efficiency: 83%

Input Voltage range:  $\pm 10\%$

Output Load range  $\pm 5\%$

THD: < 20%

Input Frequency: 50/60HZ

Power Factor Min: 0.90

Remote Wiring Distance Full Load: 18AWG -18 ft

Dual Terminal Blocks No Bottom Studs

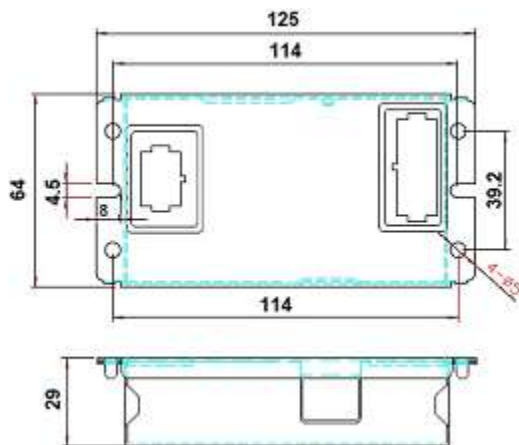
Case Size: Series C2B

Due to continuing efforts to offer improved products all specifications are subject to change without prior notice

INPUT VOLTAGE	INPUT CURRENT	INPUT WATTS	OUTPUT POWER WATTS MAX	OUTPUT VOLTAGE	OUTPUT CURRENT AMPS	MODEL
120	0.26A	31	25	24V	1.04A	<b>NU24V25WSB</b>
277	0.12A					

### LIMITED WARRANTY

5 YEAR at maximum case temperature 75 deg C. 3 YEAR at maximum case temperature 90 deg C. Manufacturer warrants to the purchaser: Product will be free from defects in material or workmanship from the date of manufacture conditioned upon proper storage, installation, use, and maintenance and conformance with any recommendations of Manufacturer



Case Size Series C2B

L	W	H	ML
125	64	29	114mm
4.9	2.5	1.14	4.48inch

**WARNING:** Always Disconnect Power Before Handling. Case Should be Grounded. Install in Accordance with National and Local Electrical Codes

901 - 3rd Street West, North Vancouver, BC V7P 3P9 Canada

TEL: 604-904-9533

www.sagedrivers.com www.sagelighting.com

*Sage  
Lighting Ltd.*

# LED DRIVER Single Output Circuit

Low Voltage 24V Output Constant Voltage Max **25W**

Electronic Universal Voltage 120V-277V input LED Driver. 24V output Constant Voltage for Single circuit 25W maximum.

## Technical Specification:

Class 2 UL, CUL Recognized, ROHS Compliant  
 EMI FCC Part 15, Class A  
 Rating: IP 65 Damp, Dry  
 Output Open/Short Protection  
 Min. Starting Temp: - 40° C  
 Max. Case Temp: 90° C  
 Typical Efficiency: 83%

Input Voltage range:  $\pm 10\%$   
 Output Load range:  $\pm 5\%$   
 THD:  $< 10\%$   
 Input Frequency: 50/60HZ  
 Power Factor Min: 0.90  
 Remote Wiring Distance Full Load: 18AWG -18 ft

Case Size: Series MU2

Due to continuing efforts to offer improved products all specifications are subject to change without prior notice

7/5/18

INPUT VOLTAGE	INPUT CURRENT	INPUT WATTS	OUTPUT POWER WATTS MAX	OUTPUT VOLTAGE	OUTPUT CURRENT AMPS	MODEL
120	0.26A	31	25	24V	1.04A	NU24V25WS
277	0.12A					

### LIMITED WARRANTY

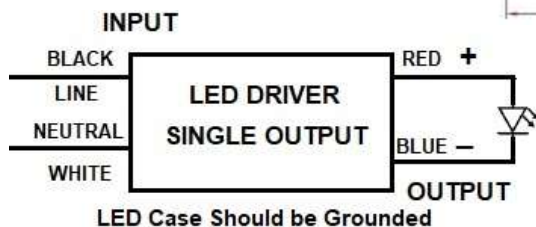
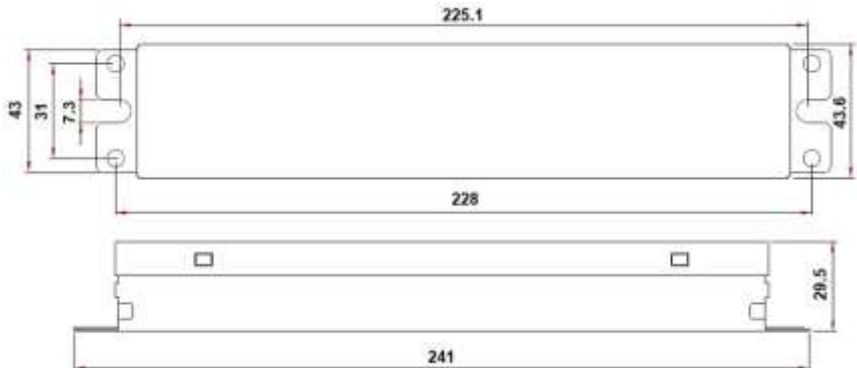
5 YEAR at maximum case temperature 75 deg C. 3 YEAR at maximum case temperature 90 deg C. Manufacturer warrants to the purchaser: Product will be free from defects in material or workmanship from the date of manufacture conditioned upon proper storage, installation, use, and maintenance and conformance with any recommendations of Manufacturer

### Lead Length

Colour	inch	cm
Black	6	15.2
White	6	15.2
Blue	6	15.2
Red	6	15.2

### Case Size Series MU2

L	W	H	ML
241	43	29.5	226mm
9.5	1.7	1.2	8.9 inch



**WARNING:** Always Disconnect Power Before Handling. Case Should be Grounded. Install in Accordance with National and Local Electrical Codes

# LED DRIVER Single Output Circuit

Low Voltage 24V Output Constant Voltage Max **50W**

Small Case Size with leads

Electronic Universal Voltage 120V-277V input LED Driver. Output 24V Constant Voltage for Single circuit 50W maximum.

## Technical Specification:

Class 2 UL, CUL Recognized, ROHS Compliant  
 EMI FCC Part 15, Class A  
 Rating: IP 65 Damp, Dry  
 Output Open/Short Protection  
 Min. Starting Temp: - 40° C  
 Max. Case Temp: 90° C  
 Typical Efficiency: 87%

Input Voltage range:  $\pm 10\%$   
 Output Load range:  $\pm 5\%$   
 THD: < 10%  
 Input Frequency: 50/60HZ  
 Power Factor Min: 0.90  
 Remote Wiring Distance Full Load: 18AWG - 18 ft

Case Size: Series C2S

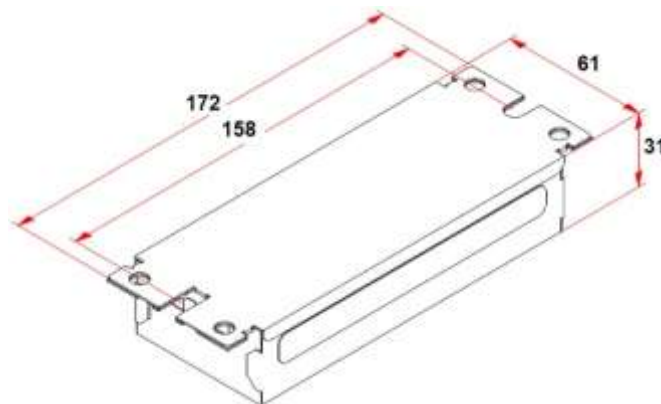
Due to continuing efforts to offer improved products all specifications are subject to change without prior notice

4/12/22

INPUT VOLTAGE	INPUT CURRENT	INPUT WATTS	OUTPUT POWER WATTS MAX	OUTPUT VOLTAGE	OUTPUT CURRENT AMPS	MODEL
120	0.49A	58	50	24V	0.208 - 2..08A	NU24V50WS
277	0.21A					

### LIMITED WARRANTY

5 YEAR at maximum case temperature 75 deg C. 3 YEAR at maximum case temperature 90 deg C. Manufacturer warrants to the purchaser: Product will be free from defects in material or workmanship from the date of manufacture conditioned upon proper storage, installation, use, and maintenance and conformance with any recommendations of Manufacturer



**WARNING:** Always Disconnect Power Before Handling. Case Should be Grounded. Install in Accordance with National and Local Electrical Codes

Lead Length		
Colour	inch	cm
Black	6	15.2
White	6	15.2
Blue	6	15.2
Red	6	15.2

Case Size Series C2S			
L	W	H	ML
172	61	31	158mm
6.7	2.4	1.23	6.23inch

# LED DRIVER 100W Single Output Circuit

Low Voltage 24V Output Constant Voltage Max **100W**

Slim case with leads

Electronic Universal Voltage 120V-277V input LED Driver. 24V Output Constant Voltage for Single circuit 100W maximum.

## Technical Specification:

Class 2 UL, CUL Recognized, ROHS Compliant  
 EMI FCC Part 15, Class A  
 Rating: IP 64 Damp, Dry  
 Output Open/Short Protection  
 Min. Starting Temp: - 40° C  
 Max. Case Temp: 90° C  
 Typical Efficiency: 86%

Input Voltage range:  $\pm 10\%$   
 Output Load range:  $\pm 5\%$   
 THD: < 20%  
 Input Frequency: 50/60HZ  
 Power Factor Min: 0.90  
 Remote Wiring Distance Full Load: 18AWG -18 ft

Case Size: Series E9L

Due to continuing efforts to offer improved products all specifications are subject to change without prior notice

1/1/15

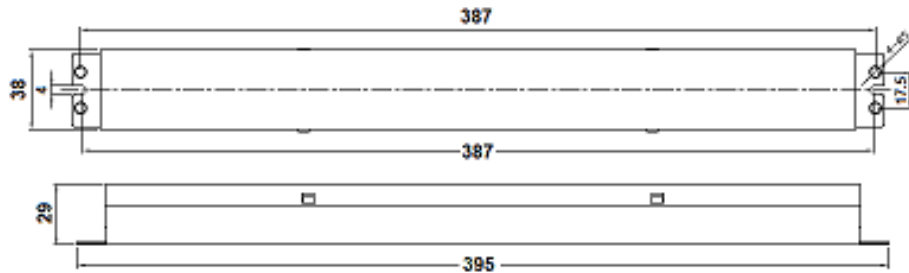
INPUT VOLTAGE	INPUT CURRENT	INPUT WATTS	OUTPUT POWER WATTS MAX	OUTPUT VOLTAGE	OUTPUT CURRENT AMPS	MODEL
120	0.98A	117	100	24V	4.1A	NU24V100WS-E9L
277	0.42A					

### LIMITED WARRANTY

5 YEAR at maximum case temperature 75 deg C. 3 YEAR at maximum case temperature 90 deg C. Manufacturer warrants to the purchaser: Product will be free from defects in material or workmanship from the date of manufacture conditioned upon proper storage, installation, use, and maintenance and conformance with any recommendations of Manufacturer

### Lead Length

Colour	inch	cm
Black	6	15.2
White	6	15.2
Blue	6	15.2
Red	6	15.2



### Case Size Series E9 / E9L

L	W	H	ML
395	38	29	387mm
15.5	1.49	1.14	15.2inch



**WARNING:** Always Disconnect Power Before Handling. Case Should be Grounded. Install in Accordance with National and Local Electrical Codes

# LED DRIVER Single Output Circuit

Low Voltage 36V Output Constant Voltage Max **12W**

Small Case Size with leads

Electronic Universal Voltage 120V-277V input LED Driver. 36V output Constant Voltage for Single circuit 12W maximum.

## Technical Specification:

Class 2 UL, CUL Recognized, ROHS Compliant

EMI FCC Part 15 Class A

Rating: IP 65 Damp, Dry

Output Open/Short Protection

Min. Starting Temp: - 40° C

Max. Case Temp: 90° C

Typical Efficiency: 85%

Input Voltage range:  $\pm 10\%$

Output Load range  $\pm 5\%$

THD: < 25%

Input Frequency: 50/60HZ

Power Factor Min: 0.90

Remote Wiring Distance Full Load: 18AWG -18 ft

Case Size: Series D2

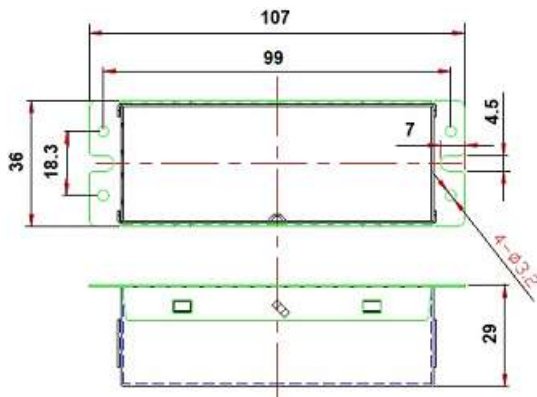
Due to continuing efforts to offer improved products all specifications are subject to change without prior notice

R02/01/15

INPUT VOLTAGE	INPUT CURRENT	INPUT WATTS	OUTPUT POWER WATTS MAX	OUTPUT VOLTAGE	OUTPUT CURRENT AMPS	MODEL
120	0.12A	15.5	12	36V	0.03-0.33A	NU36V12WSM
277	0.06A					

### LIMITED WARRANTY

5 YEAR at maximum case temperature 75 deg C. 3 YEAR at maximum case temperature 90 deg C. Manufacturer warrants to the purchaser: Product will be free from defects in material or workmanship from the date of manufacture conditioned upon proper storage, installation, use, and maintenance and conformance with any recommendations of Manufacturer



Case Size Series D2

L	W	H	ML
107	36	29	99mm
4.21	1.42	1.14	3.9inch

Lead Length

Colour	inch	cm
Black	6	15.2
White	6	15.2
Blue	6	15.2
Red	6	15.2



**WARNING:** Always Disconnect Power Before Handling. Case Should be Grounded. Install in Accordance with National and Local Electrical Codes

901 - 3rd Street West, North Vancouver, BC V7P 3P9 Canada

TEL: 604-904-9533

www.sagedrivers.com www.sagelighting.com

*Sage  
Lighting Ltd.*

# LED DRIVER Single Output Circuit

Low Voltage 36V Output Constant Voltage Max **150W**

Electronic Universal Voltage 120V-277V input LED Driver. 36V output Constant Voltage for Single circuit 150W maximum.

## Technical Specification:

UL, CUL Recognized, ROHS Compliant  
 EMI FCC Part 15, Class A  
 Rating: IP 65 Damp, Dry  
 Output Open/Short Protection  
 Min. Starting Temp: - 40° C  
 Max. Case Temp: 90° C  
 Typical Efficiency: 91%

Input Voltage range:  $\pm 10\%$   
 Output Load range  $\pm 5\%$   
 Input Frequency: 50/60HZ  
 THD: < 20%  
 Power Factor Min: 0.90  
 Remote Wiring Distance Full Load: 18AWG -18 ft

Case Size: Series FS5

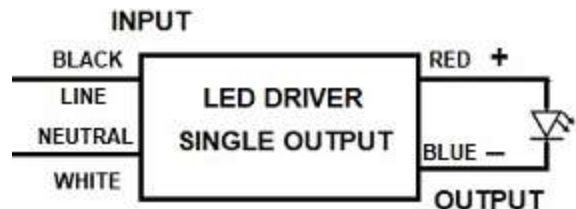
Due to continuing efforts to offer improved products all specifications are subject to change without prior notice

3/10/22

INPUT VOLTAGE	INPUT CURRENT	INPUT WATTS	OUTPUT POWER WATTS MAX	OUTPUT VOLTAGE CV	OUTPUT CURRENT AMPS	MODEL
120	1.48A	163	150	36	4.1A	NU36V150WS
277	0.62A					

### LIMITED WARRANTY

5 YEAR at maximum case temperature 75 deg C. 3 YEAR at maximum case temperature 90 deg C. Manufacturer warrants to the purchaser: Product will be free from defects in material or workmanship from the date of manufacture conditioned upon proper storage, installation, use, and maintenance and conformance with any recommendations of Manufacturer



### Lead Length

Colour	inch	cm
Black	5.9	15
White	5.9	15
Blue	5.9	15
Red	5.9	15

### Case Size Series FS5

L	W	H	ML
241	66	40.5	226mm
9.5	2.6	1.6	8.9inch

**WARNING: Always Disconnect Power Before Handling.**  
 Case Should be Grounded. Install in Accordance with National and Local Electrical Codes.





# Sage

## **AC Triac Leading & Trailing Edge Compatible Dimming Fixed Current LED Drivers**

Sage offers a selection of AC Triac Leading & Trailing Edge Compatible Dimming fixed Current LED Drivers in compact case dimensions.

It is also easy to combine into common dimming systems accessible in commercial applications.

Output Current: from 180mA to 1400mA



# LED DRIVER AC TRIAC Dimming

Output Range 25V to 36V Constant Current **180mA** Max **6.5W**

Small Polycarbonate Case with leads

AC 120V Electronic Constant Current LED Driver Triac Dimming compatible with Leading Edge or Trailing Edge dimmers. Output Range of 25V to 36V for Single circuit 6.5W maximum.

## Technical Specification:

Class 2 UL, CUL Recognized, ROHS Compliant

ICES-005 Issue 4/FCC Parts 15

Rating: IP 30

Output Open/Short Protection

Min. Starting Temp: 0° C

Max. Case Temp: 50° C

Typical Efficiency: 83%

Input Voltage range:  $\pm 10\%$

Output Current  $\pm 5\%$

Input Frequency: 50/60HZ

THD: < 20%

Power Factor Min: 0.90

Remote Wiring Distance Full Load: 18AWG -18 ft

Case Size: Series P1

Due to continuing efforts to offer improved products all specifications are subject to change without prior notice

INPUT VOLTAGE	INPUT WATTS	INPUT CURRENT	OUTPUT POWER WATTS MAX	OUTPUT VOLTAGE	OUTPUT CURRENT AMPS	MODEL
120	7	0.18A	6.5	25 to 36V	0.18A	TO180C6.5WS

### LIMITED WARRANTY

3 YEAR at maximum case temperature 50 deg C. Manufacturer warrants to the purchaser: Product will be free from defects in material or workmanship from the date of manufacture conditioned upon proper storage, installation, use, and maintenance and conformance with any recommendations of Manufacturer

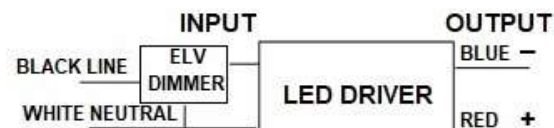
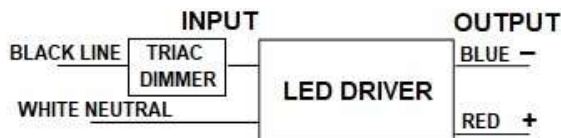
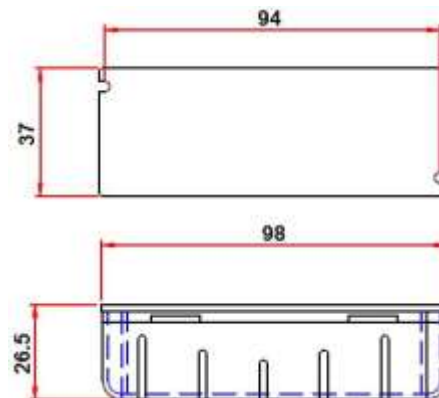
### Compatible 120VAC 60Hz

#### Triac Dimmer Models below

LUTRON	LEVITON
DVCL-153P	No.6674
DVPDC-203P	6615-P0W
NTLV-600	6633-PLW
S-600P-WH	RP106
SF-103P-WH	

#### Lead Length

Colour	inch	cm
Black	6	15.2
White	6	15.2
Blue	6	15.2
Red	6	15.2



LED Case Should be Grounded

#### Case Size Series P1

L	W	H	ML
98	37	26.5	94mm
3.86	1.46	1.04	3.7inch

**WARNING:** Always Disconnect Power Before Handling. Case Should be Grounded. Install in Accordance with National and Local Electrical Codes

901 - 3rd Street West, North Vancouver, BC V7P 3P9 Canada

TEL: 604-904-9533

www.sagedrivers.com www.sagelighting.com

*Sage  
Lighting Ltd.*

# LED DRIVER AC TRIAC Dimming

Output Range 17V to 24V Constant Current **200mA** Max **5W**

Small Polycarbonate Case with leads

AC 120V Electronic Constant Current LED Driver Triac Dimming compatible with Leading Edge or Trailing Edge dimmers. Output Range of 17V to 24V for Single circuit 5W maximum.

## Technical Specification:

Class 2 UL, CUL Recognized, ROHS Compliant

ICES-005 Issue 4/FCC Parts 15

Rating: IP 30

Output Open/Short Protection

Min. Starting Temp: 0° C

Max. Case Temp: 50° C

Typical Efficiency: 85%

Input Voltage range:  $\pm 10\%$

Output Current  $\pm 5\%$

Input Frequency: 50/60HZ

THD: < 20%

Power Factor Min: 0.90

Remote Wiring Distance Full Load: 18AWG -18 ft

Case Size: Series P1

Due to continuing efforts to offer improved products all specifications are subject to change without prior notice

INPUT VOLTAGE	INPUT WATTS	INPUT CURRENT	OUTPUT POWER WATTS MAX	OUTPUT VOLTAGE	OUTPUT CURRENT AMPS	MODEL
120	7	0.18A	4.8	17 to 24V	0.2A	<b>TO200C5WS</b>

### LIMITED WARRANTY

3 YEAR at maximum case temperature 50 deg C. Manufacturer warrants to the purchaser: Product will be free from defects in material or workmanship from the date of manufacture conditioned upon proper storage, installation, use, and maintenance and conformance with any recommendations of Manufacturer

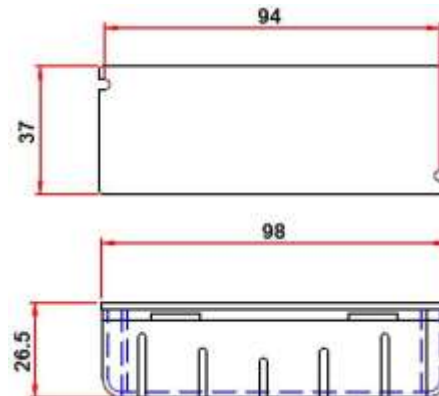
### Compatible 120VAC 60Hz

#### Triac Dimmer Models below

LUTRON	LEVITON
DVCL-153P	No.6674
DVPDC-203P	6615-P0W
NTLV-600	6633-PLW
S-600P-WH	RP106
SF-103P-WH	

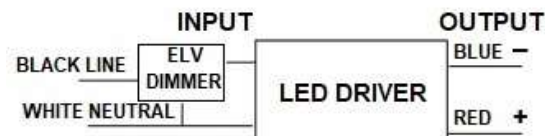
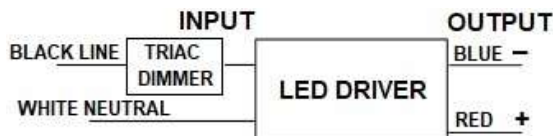
#### Lead Length

Colour	inch	cm
Black	6	15.2
White	6	15.2
Blue	6	15.2
Red	6	15.2



#### Case Size Series P1

L	W	H	ML
98	37	26.5	94mm
3.86	1.46	1.04	3.7inch



LED Case Should be Grounded

**WARNING:** Always Disconnect Power Before Handling. Case Should be Grounded. Install in Accordance with National and Local Electrical Codes

901 - 3rd Street West, North Vancouver, BC V7P 3P9 Canada

TEL: 604-904-9533

www.sagedrivers.com www.sagelighting.com

*Sage  
Lighting Ltd.*

# LED DRIVER AC TRIAC Dimming

Output Range 30V to 42V Constant Current **220mA** Max **9W**

Small Polycarbonate Case with leads

AC 120V Electronic Constant Current LED Driver Triac Dimming compatible with Leading Edge or Trailing Edge dimmers. Output Range of 30V to 42V for Single circuit 9W maximum.

## Technical Specification:

Class 2 UL, CUL Recognized, ROHS Compliant

ICES-005 Issue 4/FCC Parts 15

Rating: IP 30

Output Open/Short Protection

Min. Starting Temp: 0° C

Max. Case Temp: 50° C

Typical Efficiency: 83%

Input Voltage range:  $\pm 10\%$

Output Current  $\pm 5\%$

Input Frequency: 50/60HZ

THD: < 20%

Power Factor Min: 0.90

Remote Wiring Distance Full Load: 18AWG -18 ft

Case Size: Series P1

Due to continuing efforts to offer improved products all specifications are subject to change without prior notice

INPUT VOLTAGE	INPUT WATTS	INPUT CURRENT	OUTPUT POWER WATTS MAX	OUTPUT VOLTAGE	OUTPUT CURRENT AMPS	MODEL
120	11	0.18A	9	30 to 42V	0.22A	TO220C9WS

### LIMITED WARRANTY

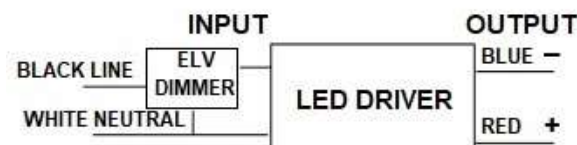
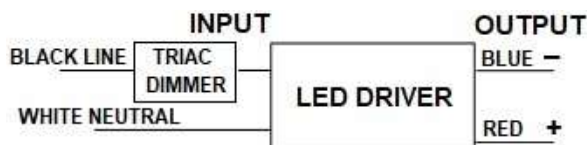
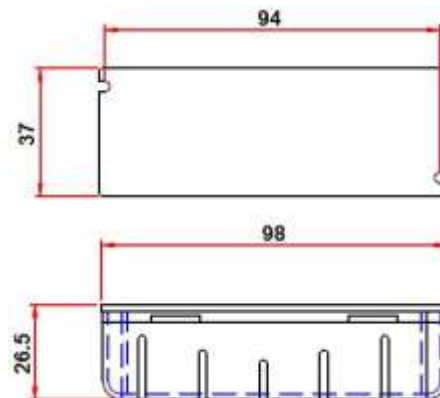
3 YEAR at maximum case temperature 50 deg C. Manufacturer warrants to the purchaser: Product will be free from defects in material or workmanship from the date of manufacture conditioned upon proper storage, installation, use, and maintenance and conformance with any recommendations of Manufacturer

### Compatible 120VAC 60Hz

#### Triac Dimmer Models below

LUTRON	LEVITON
DVCL-153P	No.6674
DVPDC-203P	6615-P0W
NTLV-600	6633-PLW
S-600P-WH	RP106
SF-103P-WH	

Lead Length		
Colour	inch	cm
Black	6	15.2
White	6	15.2
Blue	6	15.2
Red	6	15.2



LED Case Should be Grounded

#### Case Size Series P1

L	W	H	ML
98	37	26.5	94mm
3.86	1.46	1.04	3.7inch

**WARNING:** Always Disconnect Power Before Handling. Case Should be Grounded. Install in Accordance with National and Local Electrical Codes

901 - 3rd Street West, North Vancouver, BC V7P 3P9 Canada

TEL: 604-904-9533

www.sagedrivers.com www.sagelighting.com

*Sage  
Lighting Ltd.*

# LED DRIVER AC TRIAC Dimming

Output Range 25V to 36V Constant Current **300mA** Max **11W**

Small Polycarbonate Case with leads

AC 120V Electronic Constant Current LED Driver Triac Dimming compatible with Leading Edge or Trailing Edge dimmers. Output Range of 25V to 36V for Single circuit 11W maximum.

## Technical Specification:

Class 2 UL, CUL Recognized, ROHS Compliant

ICES-005 Issue 4/FCC Parts 15

Rating: IP 30

Output Open/Short Protection

Min. Starting Temp: 0° C

Max. Case Temp: 50° C

Typical Efficiency: 85%

Input Voltage range:  $\pm 10\%$

Output Current  $\pm 5\%$

Input Frequency: 50/60HZ

THD: < 20%

Power Factor Min: 0.90

Remote Wiring Distance Full Load: 18AWG -18 ft

Case Size: Series P1

Due to continuing efforts to offer improved products all specifications are subject to change without prior notice

1/5/17

INPUT VOLTAGE	INPUT WATTS	INPUT CURRENT	OUTPUT POWER WATTS MAX	OUTPUT VOLTAGE	OUTPUT CURRENT AMPS	MODEL
120	13	0.18A	11	25 to 36V	0.3A	<b>TO300C11WS</b>

### LIMITED WARRANTY

3 YEAR at maximum case temperature 50 deg C. Manufacturer warrants to the purchaser: Product will be free from defects in material or workmanship from the date of manufacture conditioned upon proper storage, installation, use, and maintenance and conformance with any recommendations of Manufacturer

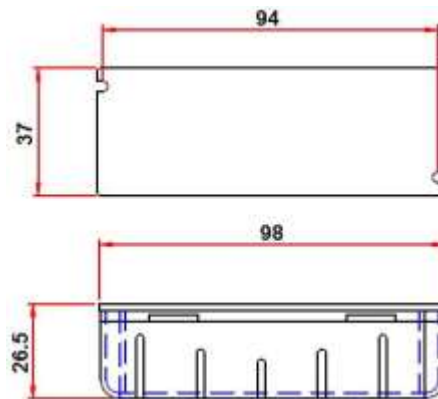
### Compatible 120VAC 60Hz

#### Triac Dimmer Models below

LUTRON	LEVITON
DVCL-153P	No.6674
DVPDC-203P	6615-P0W
NTLV-600	6633-PLW
S-600P-WH	RP106
SF-103P-WH	

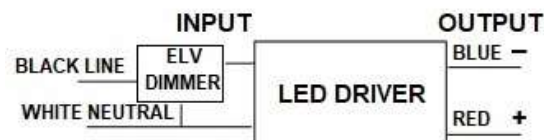
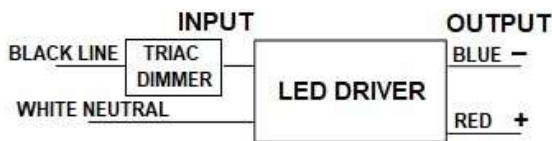
#### Lead Length

Colour	inch	cm
Black	6	15.2
White	6	15.2
Blue	6	15.2
Red	6	15.2



#### Case Size Series P1

L	W	H	ML
98	37	26.5	94mm
3.86	1.46	1.04	3.7inch



LED Case Should be Grounded

**WARNING:** Always Disconnect Power Before Handling. Case Should be Grounded. Install in Accordance with National and Local Electrical Codes

901 - 3rd Street West, North Vancouver, BC V7P 3P9 Canada

TEL: 604-904-9533

www.sagedrivers.com www.sagelighting.com

*Sage  
Lighting Ltd.*

# LED DRIVER AC TRIAC Dimming

Output Range 27V to 39V Constant Current **330mA** Max **13W**

Small Polycarbonate Case with leads

AC 120V Electronic Constant Current LED Driver Triac Dimming compatible with Leading Edge or Trailing Edge dimmers. Output Range of 27V to 39V for Single circuit 13W maximum.

## Technical Specification:

Class 2 UL, CUL Recognized, ROHS Compliant

ICES-005 Issue 4/FCC Parts 15

Rating: IP 30

Output Open/Short Protection

Min. Starting Temp: 0° C

Max. Case Temp: 50° C

Typical Efficiency: 84%

Input Voltage range:  $\pm 10\%$

Output Current  $\pm 5\%$

Input Frequency: 50/60HZ

THD: < 20%

Power Factor Min: 0.90

Remote Wiring Distance Full Load: 18AWG -18 ft

Case Size: Series P1

Due to continuing efforts to offer improved products all specifications are subject to change without prior notice

INPUT VOLTAGE	INPUT WATTS	INPUT CURRENT	OUTPUT POWER WATTS MAX	OUTPUT VOLTAGE	OUTPUT CURRENT AMPS	MODEL
120	15	0.18A	13	27 to 39V	0.33A	TO330C13WS

### LIMITED WARRANTY

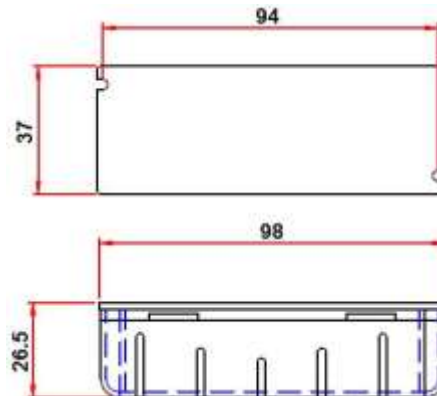
3 YEAR at maximum case temperature 50 deg C. Manufacturer warrants to the purchaser: Product will be free from defects in material or workmanship from the date of manufacture conditioned upon proper storage, installation, use, and maintenance and conformance with any recommendations of Manufacturer

### Compatible 120VAC 60Hz

#### Triac Dimmer Models below

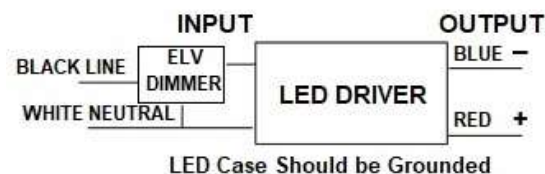
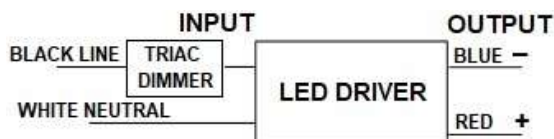
LUTRON	LEVITON
DVCL-153P	No.6674
DVPDC-203P	6615-P0W
NTLV-600	6633-PLW
S-600P-WH	RP106
SF-103P-WH	

Lead Length		
Colour	inch	cm
Black	6	15.2
White	6	15.2
Blue	6	15.2
Red	6	15.2



Case Size Series P1

L	W	H	ML
98	37	26.5	94mm
3.86	1.46	1.04	3.7inch



**WARNING:** Always Disconnect Power Before Handling. Case Should be Grounded. Install in Accordance with National and Local Electrical Codes

901 - 3rd Street West, North Vancouver, BC V7P 3P9 Canada

TEL: 604-904-9533

www.sagedrivers.com www.sagelighting.com

*Sage  
Lighting Ltd.*

# LED DRIVER AC TRIAC Dimming

Output Range 22V-31V Constant Current **350mA** Max **11W**

Small Metal Case with leads

AC 120V Electronic Constant Current LED Driver Triac Dimming compatible with Leading Edge or Trailing Edge dimmers. Output Range of 22V-31V for Single circuit 11W maximum.

## Technical Specification:

Class 2 UL, CUL Recognized, ROHS Compliant

ICES-005 Issue 4/FCC Parts 15

Rating: IP 65

Output Open/Short Protection

Min. Starting Temp: 0° C

Max. Case Temp: 90° C

Typical Efficiency: 86%

Input Voltage range:  $\pm 10\%$

Output Current  $\pm 5\%$

Input Frequency: 50/60HZ

THD: < 20%

Power Factor Min: 0.90

Remote Wiring Distance Full Load: 18AWG - 18 ft

Case Size: Series C1U

Due to continuing efforts to offer improved products all specifications are subject to change without prior notice

INPUT VOLTAGE	INPUT WATTS	INPUT CURRENT	OUTPUT POWER WATTS MAX	OUTPUT VOLTAGE	OUTPUT CURRENT AMPS	MODEL
120	12.8	0.26A	11	22 to 31V	0.35A	<b>TO350C11WSM</b>

### LIMITED WARRANTY

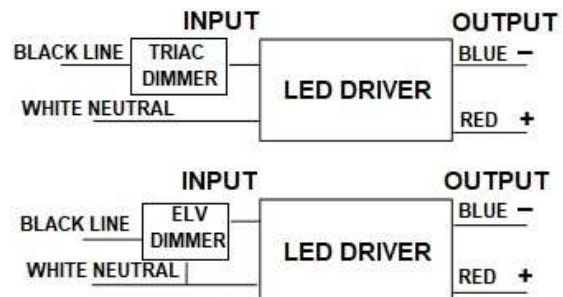
5 YEAR at maximum case temperature 75 deg C. 3 YEAR at maximum case temperature 90 deg C. Manufacturer warrants to the purchaser: Product will be free from defects in material or workmanship from the date of manufacture conditioned upon proper storage, installation, use, and maintenance and conformance with any recommendations of Manufacturer

### Compatible 120VAC 60Hz

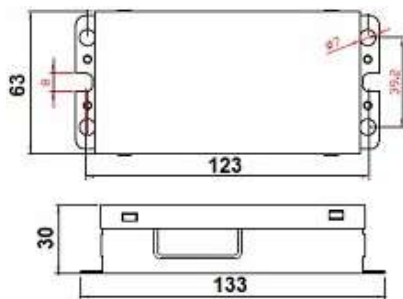
Triac Dimmer Models below

LUTRON	LEVITON
DVCL-153P	No.6674
DVPDC-203P	6615-P0W
NTLV-600	6633-PLW
S-600P-WH	RP106
SF-103P-WH	

Colour	Lead Length	
	inch	cm
Black	6	15.2
White	6	15.2
Blue	6	15.2
Red	6	15.2



LED Case Should be Grounded



Case Size Series C1U

L	W	H	ML
133	63	30	123mm
5.23	2.48	1.18	4.84inch

**WARNING:** Always Disconnect Power Before Handling. Case Should be Grounded. Install in Accordance with National and Local Electrical Codes

901 - 3rd Street West, North Vancouver, BC V7P 3P9 Canada

TEL: 604-904-9533

www.sagedrivers.com www.sagelighting.com

*Sage  
Lighting Ltd.*



# LED DRIVER AC TRIAC Dimming

Output Range 24V-34V Constant Current **350mA** Max **12W**

Small Polycarbonate Case with leads

AC 120V Electronic Constant Current LED Driver Triac Dimming compatible with Leading Edge or Trailing Edge dimmers. Output Range of 24V-34V for Single circuit 12W maximum.

## Technical Specification:

Class 2 UL, CUL Recognized, ROHS Compliant

ICES-005 Issue 4/FCC Parts 15

Rating: IP 30

Output Open/Short Protection

Min. Starting Temp: 0° C

Max. Case Temp: 50° C

Typical Efficiency: 85%

Input Voltage range:  $\pm 10\%$

Output Current  $\pm 5\%$

Input Frequency: 50/60HZ

THD: < 20%

Power Factor Min: 0.90

Remote Wiring Distance Full Load: 18AWG -18 ft

Case Size: Series P1

Due to continuing efforts to offer improved products all specifications are subject to change without prior notice

2/6/20

INPUT VOLTAGE	INPUT WATTS	INPUT CURRENT	OUTPUT POWER WATTS MAX	OUTPUT VOLTAGE	OUTPUT CURRENT AMPS	MODEL
120	14	0.18A	12	24 to 34V	0.35A	<b>TO350C12WS</b>

### LIMITED WARRANTY

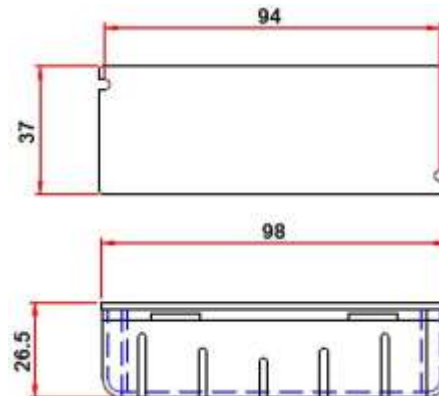
3 YEAR at maximum case temperature 50 deg C. Manufacturer warrants to the purchaser: Product will be free from defects in material or workmanship from the date of manufacture conditioned upon proper storage, installation, use, and maintenance and conformance with any recommendations of Manufacturer

### Compatible 120VAC 60Hz

#### Triac Dimmer Models below

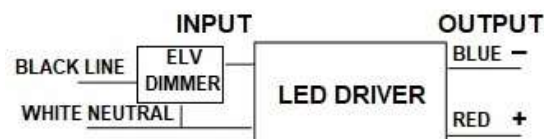
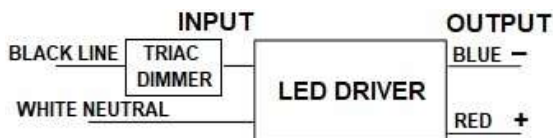
LUTRON	LEVITON
DVCL-153P	No.6674
DVPDC-203P	6615-P0W
NTLV-600	6633-PLW
S-600P-WH	RP106
SF-103P-WH	

Lead Length		
Colour	inch	cm
Black	6	15.2
White	6	15.2
Blue	6	15.2
Red	6	15.2



Case Size Series P1

L	W	H	ML
98	37	26.5	94mm
3.86	1.46	1.04	3.7inch



LED Case Should be Grounded

**WARNING:** Always Disconnect Power Before Handling. Case Should be Grounded. Install in Accordance with National and Local Electrical Codes

901 - 3rd Street West, North Vancouver, BC V7P 3P9 Canada

TEL: 604-904-9533

www.sagedrivers.com www.sagelighting.com

*Sage  
Lighting Ltd.*

# LED DRIVER AC TRIAC Dimming

Output Range 30V-43V Constant Current **350mA** Max **15W**

Small Metal Case with leads

AC 120V Electronic Constant Current LED Driver Triac Dimming compatible with Leading Edge or Trailing Edge dimmers. Output Range of 30V-43V for Single circuit 15W maximum.

## Technical Specification:

Class 2 UL, CUL Recognized, ROHS Compliant

ICES-005 Issue 4/FCC Parts 15

Rating: IP 65

Output Open/Short Protection

Min. Starting Temp: 0° C

Max. Case Temp: 90° C

Typical Efficiency: 86%

Input Voltage range:  $\pm 10\%$

Output Current  $\pm 5\%$

Input Frequency: 50/60HZ

THD: < 20%

Power Factor Min: 0.90

Remote Wiring Distance Full Load: 18AWG - 18 ft

Case Size: Series C1U

Due to continuing efforts to offer improved products all specifications are subject to change without prior notice

INPUT VOLTAGE	INPUT WATTS	INPUT CURRENT	OUTPUT POWER WATTS MAX	OUTPUT VOLTAGE	OUTPUT CURRENT AMPS	MODEL
120	17	0.26A	15	30 to 43V	0.35A	TO350C15WSM

### LIMITED WARRANTY

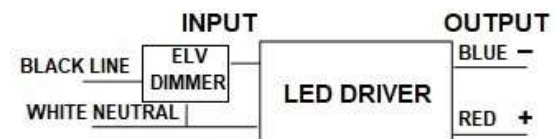
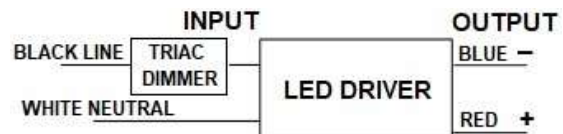
5 YEAR at maximum case temperature 75 deg C. 3 YEAR at maximum case temperature 90 deg C. Manufacturer warrants to the purchaser: Product will be free from defects in material or workmanship from the date of manufacture conditioned upon proper storage, installation, use, and maintenance and conformance with any recommendations of Manufacturer

### Compatible 120VAC 60Hz

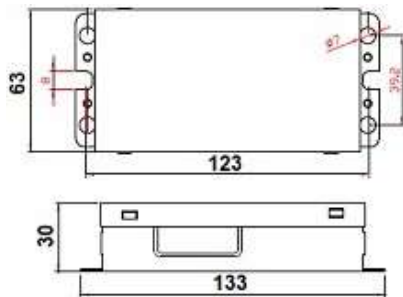
Triac Dimmer Models below

LUTRON	LEVITON
DVCL-153P	No.6674
DVPDC-203P	6615-P0W
NTLV-600	6633-PLW
S-600P-WH	RP106
SF-103P-WH	

Colour	Lead Length	
	inch	cm
Black	6	15.2
White	6	15.2
Blue	6	15.2
Red	6	15.2



LED Case Should be Grounded



Case Size Series C1U

L	W	H	ML
133	63	30	123mm
5.23	2.48	1.18	4.84inch

**WARNING:** Always Disconnect Power Before Handling. Case Should be Grounded. Install in Accordance with National and Local Electrical Codes

901 - 3rd Street West, North Vancouver, BC V7P 3P9 Canada

TEL: 604-904-9533

www.sagedrivers.com www.sagelighting.com

*Sage  
Lighting Ltd.*

# LED DRIVER AC TRIAC Dimming

Output Range 30V to 43V Constant Current **350mA** Max **15W**

Small Polycarbonate Case with leads

AC 120V Electronic Constant Current LED Driver Triac Dimming compatible with Leading Edge or Trailing Edge dimmers. Output Range of 30V - 43V for Single circuit 15W maximum.

## Technical Specification:

Class 2 UL, CUL Recognized, ROHS Compliant

ICES-005 Issue 4/FCC Parts 15

Rating: IP 30

Output Open/Short Protection

Min. Starting Temp: 0° C

Max. Case Temp: 50° C

Typical Efficiency: 83%

Input Voltage range:  $\pm 10\%$

Output Current  $\pm 5\%$

Input Frequency: 50/60HZ

THD: < 20%

Power Factor Min: 0.90

Remote Wiring Distance Full Load: 18AWG -18 ft

Case Size: Series P1

Due to continuing efforts to offer improved products all specifications are subject to change without prior notice

INPUT VOLTAGE	INPUT WATTS	INPUT CURRENT	OUTPUT POWER WATTS MAX	OUTPUT VOLTAGE	OUTPUT CURRENT AMPS	MODEL
120	18	0.18A	15	30 to 43V	0.35A	<b>TO350C15WS</b>

### LIMITED WARRANTY

3 YEAR at maximum case temperature 50 deg C. Manufacturer warrants to the purchaser: Product will be free from defects in material or workmanship from the date of manufacture conditioned upon proper storage, installation, use, and maintenance and conformance with any recommendations of Manufacturer

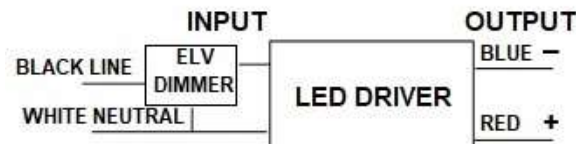
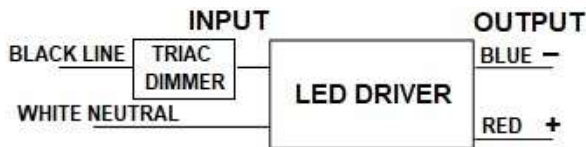
### Compatible 120VAC 60Hz

Triac Dimmer Models below

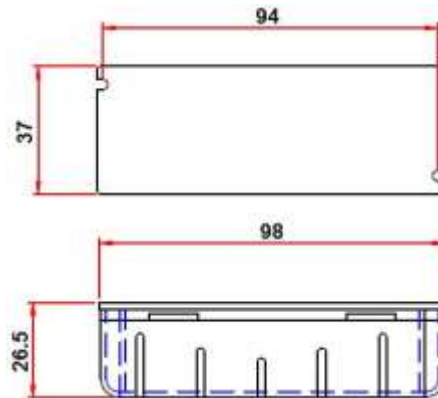
LUTRON	LEVITON
DVCL-153P	No.6674
DVPDC-203P	6615-P0W
NTLV-600	6633-PLW
S-600P-WH	RP106
SF-103P-WH	

### Lead Length

Colour	inch	cm
Black	6	15.2
White	6	15.2
Blue	6	15.2
Red	6	15.2



LED Case Should be Grounded



### Case Size Series P1

L	W	H	ML
98	37	26.5	94mm
3.86	1.46	1.04	3.7inch

**WARNING:** Always Disconnect Power Before Handling. Case Should be Grounded. Install in Accordance with National and Local Electrical Codes

# LED DRIVER AC TRIAC Dimming

Output Range 36V to 51V Constant Current **350mA** Max **18W**

Small Polycarbonate Case with leads

AC 120V Electronic Constant Current LED Driver Triac Dimming compatible with Leading Edge or Trailing Edge dimmers. Output Range of 36V to 51V for Single circuit 18W maximum.

## Technical Specification:

Class 2 UL, CUL Recognized, ROHS Compliant

ICES-005 Issue 4/FCC Parts 15

Rating: IP 30

Output Open/Short Protection

Min. Starting Temp: 0° C

Max. Case Temp: 50° C

Typical Efficiency: 83%

Input Voltage range:  $\pm 10\%$

Output Current  $\pm 5\%$

Input Frequency: 50/60HZ

THD: < 20%

Power Factor Min: 0.90

Remote Wiring Distance Full Load: 18AWG -18 ft

Case Size: Series P1

Due to continuing efforts to offer improved products all specifications are subject to change without prior notice

2/5/17

INPUT VOLTAGE	INPUT WATTS	INPUT CURRENT	OUTPUT POWER WATTS MAX	OUTPUT VOLTAGE	OUTPUT CURRENT AMPS	MODEL
120	22	0.18A	18	36 to 51V	0.35A	TO350C18WS

### LIMITED WARRANTY

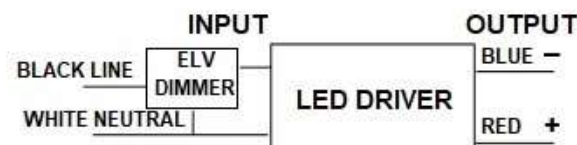
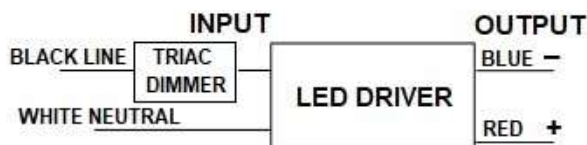
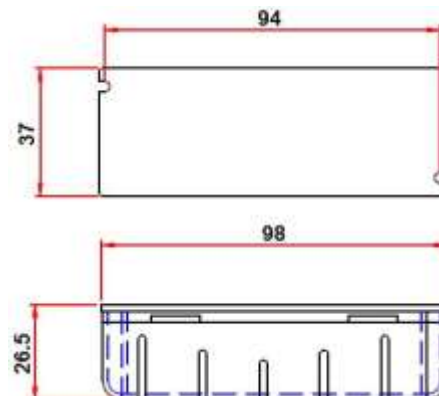
3 YEAR at maximum case temperature 50 deg C. Manufacturer warrants to the purchaser: Product will be free from defects in material or workmanship from the date of manufacture conditioned upon proper storage, installation, use, and maintenance and conformance with any recommendations of Manufacturer

### Compatible 120VAC 60Hz

#### Triac Dimmer Models below

LUTRON	LEVITON
DVCL-153P	No.6674
DVPDC-203P	6615-P0W
NTLV-600	6633-PLW
S-600P-WH	RP106
SF-103P-WH	

Lead Length		
Colour	inch	cm
Black	6	15.2
White	6	15.2
Blue	6	15.2
Red	6	15.2



LED Case Should be Grounded

#### Case Size Series P1

L	W	H	ML
98	37	26.5	94mm
3.86	1.46	1.04	3.7inch

**WARNING:** Always Disconnect Power Before Handling. Case Should be Grounded. Install in Accordance with National and Local Electrical Codes

901 - 3rd Street West, North Vancouver, BC V7P 3P9 Canada

TEL: 604-904-9533

www.sagedrivers.com www.sagelighting.com

*Sage  
Lighting Ltd.*

# LED DRIVER AC TRIAC Dimming

Output Range 42V to 60V Constant Current **350mA** Max **21W**

Small Polycarbonate Case with leads

AC 120V Electronic Constant Current LED Driver Triac Dimming compatible with Leading Edge or Trailing Edge dimmers. Output Range of 42V to 60V for Single circuit 21W maximum.

## Technical Specification:

UL, CUL Recognized, ROHS Compliant  
 ICES-005 Issue 4/FCC Parts 15  
 Rating: IP 30  
 Output Open/Short Protection  
 Min. Starting Temp: 0° C  
 Max. Case Temp: 50° C  
 Typical Efficiency: 87%

Input Voltage range: ± 10%  
 Output Current ± 5%  
 Input Frequency: 50/60HZ  
 THD: < 20%  
 Power Factor Min: 0.90  
 Remote Wiring Distance Full Load: 18AWG -18 ft

Case Size: Series P1

Due to continuing efforts to offer improved products all specifications are subject to change without prior notice 2/5/17

INPUT VOLTAGE	INPUT WATTS	INPUT CURRENT	OUTPUT POWER WATTS MAX	OUTPUT VOLTAGE	OUTPUT CURRENT AMPS	MODEL
120	24	0.25A	21	42 to 60V	0.35A	<b>TO350C21WS</b>

### LIMITED WARRANTY

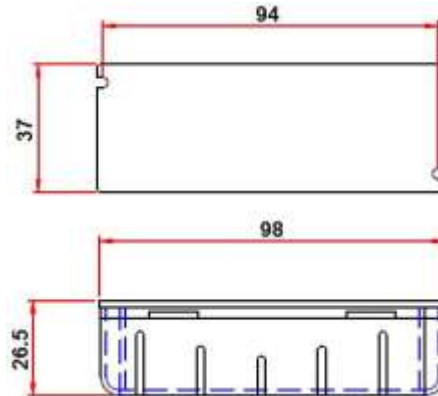
3 YEAR at maximum case temperature 50 deg C. Manufacturer warrants to the purchaser: Product will be free from defects in material or workmanship from the date of manufacture conditioned upon proper storage, installation, use, and maintenance and conformance with any recommendations of Manufacturer

### Compatible 120VAC 60Hz

Triac Dimmer Models below

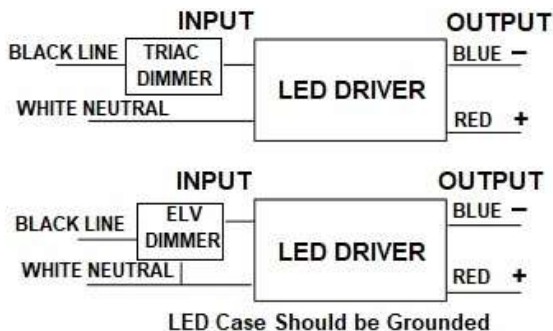
LUTRON	LEVITON
DVCL-153P	No.6674
DVPDC-203P	6615-P0W
NTLV-600	6633-PLW
S-600P-WH	RP106
SF-103P-WH	

Lead Length		
Colour	inch	cm
Black	6	15.2
White	6	15.2
Blue	6	15.2
Red	6	15.2



Case Size Series P1

L	W	H	ML
98	37	26.5	94mm
3.86	1.46	1.04	3.7inch



**WARNING:** Always Disconnect Power Before Handling. Case Should be Grounded. Install in Accordance with National and Local Electrical Codes

# LED DRIVER AC TRIAC Dimming

Output Range 50V to 71V Constant Current **350mA** Max **25W**

Small Polycarbonate Case with leads

AC 120V Electronic Constant Current LED Driver Triac Dimming compatible with Leading Edge or Trailing Edge dimmers. Output Range of 50V to 71V for Single circuit 25W maximum.

## Technical Specification:

UL, CUL Recognized, ROHS Compliant

ICES-005 Issue 4/FCC Parts 15

Rating: IP 30

Output Open/Short Protection

Min. Starting Temp: 0° C

Max. Case Temp: 50° C

Typical Efficiency: 83%

Input Voltage range: ± 10%

Output Current ± 5%

Input Frequency: 50/60HZ

THD: < 20%

Power Factor Min: 0.90

Remote Wiring Distance Full Load: 18AWG -18 ft

Case Size: Series P1

Due to continuing efforts to offer improved products all specifications are subject to change without prior notice

2/5/17

INPUT VOLTAGE	INPUT WATTS	INPUT CURRENT	OUTPUT POWER WATTS MAX	OUTPUT VOLTAGE	OUTPUT CURRENT AMPS	MODEL
120	30	0.25A	25	50 to 71V	0.35A	<b>TO350C25WS</b>

### LIMITED WARRANTY

3 YEAR at maximum case temperature 50 deg C. Manufacturer warrants to the purchaser: Product will be free from defects in material or workmanship from the date of manufacture conditioned upon proper storage, installation, use, and maintenance and conformance with any recommendations of Manufacturer

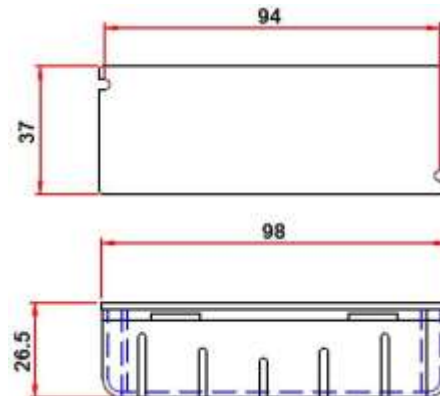
### Compatible 120VAC 60Hz

Triac Dimmer Models below

LUTRON	LEVITON
DVCL-153P	No.6674
DVPDC-203P	6615-P0W
NTLV-600	6633-PLW
S-600P-WH	RP106
SF-103P-WH	

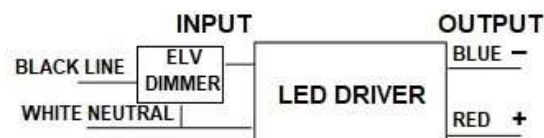
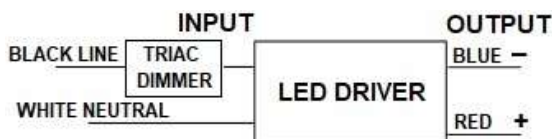
### Lead Length

Colour	inch	cm
Black	6	15.2
White	6	15.2
Blue	6	15.2
Red	6	15.2



Case Size Series P1

L	W	H	ML
98	37	26.5	94mm
3.86	1.46	1.04	3.7inch



LED Case Should be Grounded

**WARNING:** Always Disconnect Power Before Handling. Case Should be Grounded. Install in Accordance with National and Local Electrical Codes

901 - 3rd Street West, North Vancouver, BC V7P 3P9 Canada

TEL: 604-904-9533

www.sagedrivers.com www.sagelighting.com

*Sage  
Lighting Ltd.*

# LED DRIVER AC TRIAC Dimming

Output Range 35V to 50V Constant Current **420mA** Max **21W**

Small Polycarbonate Case with leads

AC 120V Electronic Constant Current LED Driver Triac Dimming compatible with Leading Edge or Trailing Edge dimmers. Output Range of 35V to 50V for Single circuit 21W maximum.

## Technical Specification:

Class 2 UL, CUL Recognized, ROHS Compliant

ICES-005 Issue 4/FCC Parts 15

Rating: IP 30

Output Open/Short Protection

Min. Starting Temp: 0° C

Max. Case Temp: 50° C

Typical Efficiency: 83%

Input Voltage range:  $\pm 10\%$

Output Current  $\pm 5\%$

Input Frequency: 50/60HZ

THD: < 20%

Power Factor Min: 0.90

Remote Wiring Distance Full Load: 18AWG -18 ft

Case Size: Series P1

Due to continuing efforts to offer improved products all specifications are subject to change without prior notice

INPUT VOLTAGE	INPUT CURRENT	INPUT WATTS	OUTPUT POWER WATTS MAX	OUTPUT VOLTAGE	OUTPUT CURRENT AMPS	MODEL
120	0.26A	24	21	35 to 50V	0.42A	<b>TO420C21WS</b>

### LIMITED WARRANTY

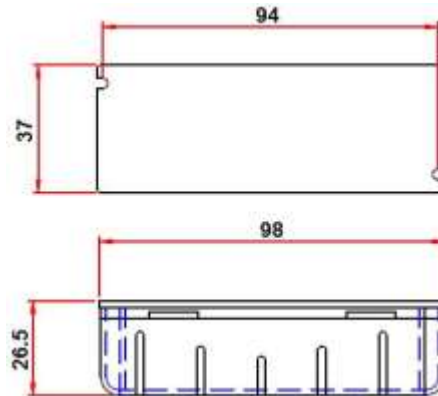
3 YEAR at maximum case temperature 50 deg C. Manufacturer warrants to the purchaser: Product will be free from defects in material or workmanship from the date of manufacture conditioned upon proper storage, installation, use, and maintenance and conformance with any recommendations of Manufacturer

### Compatible 120VAC 60Hz

#### Triac Dimmer Models below

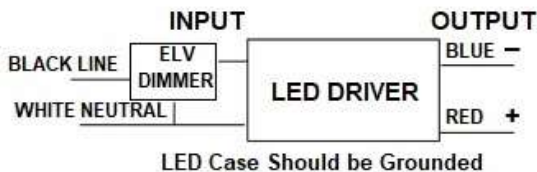
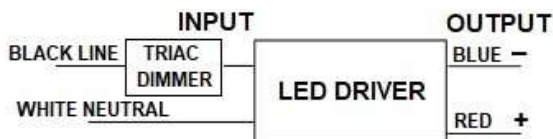
LUTRON	LEVITON
DVCL-153P	No.6674
DVPDC-203P	6615-P0W
NTLV-600	6633-PLW
S-600P-WH	RP106
SF-103P-WH	

Lead Length		
Colour	inch	cm
Black	6	15.2
White	6	15.2
Blue	6	15.2
Red	6	15.2



Case Size Series P1

L	W	H	ML
98	37	26.5	94mm
3.86	1.46	1.04	3.7inch



**WARNING:** Always Disconnect Power Before Handling. Case Should be Grounded. Install in Accordance with National and Local Electrical Codes

# LED DRIVER AC TRIAC Dimming

Output Range 29V to 42V Constant Current **460mA** Max **19W**

Small Polycarbonate Case with leads

AC 120V Electronic Constant Current LED Driver Triac Dimming compatible with Leading Edge or Trailing Edge dimmers. Output Range of 29V to 42V for Single circuit 18W maximum.

## Technical Specification:

Class 2 UL, CUL Recognized, ROHS Compliant

ICES-005 Issue 4/FCC Parts 15

Rating: IP 30

Output Open/Short Protection

Min. Starting Temp: 0° C

Max. Case Temp: 50° C

Typical Efficiency: 83%

Input Voltage range:  $\pm 10\%$

Output Current  $\pm 5\%$

Input Frequency: 50/60HZ

THD: < 20%

Power Factor Min: 0.90

Remote Wiring Distance Full Load: 18AWG -18 ft

Case Size: Series P1

Due to continuing efforts to offer improved products all specifications are subject to change without prior notice

INPUT VOLTAGE	INPUT WATTS	INPUT CURRENT	OUTPUT POWER WATTS MAX	OUTPUT VOLTAGE	OUTPUT CURRENT AMPS	MODEL
120	22	0.18A	19	29 to 42V	0.46A	<b>TO460C19WS</b>

### LIMITED WARRANTY

3 YEAR at maximum case temperature 50 deg C. Manufacturer warrants to the purchaser: Product will be free from defects in material or workmanship from the date of manufacture conditioned upon proper storage, installation, use, and maintenance and conformance with any recommendations of Manufacturer

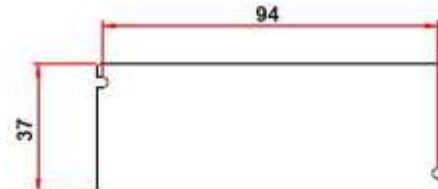
### Compatible 120VAC 60Hz

Triac Dimmer Models below

LUTRON	LEVITON
DVCL-153P	No.6674
DVPDC-203P	6615-P0W
NTLV-600	6633-PLW
S-600P-WH	RP106
SF-103P-WH	

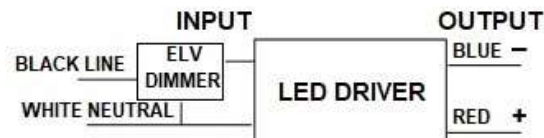
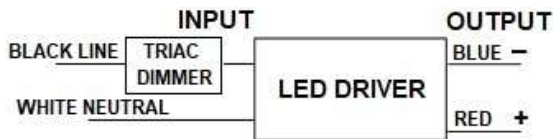
### Lead Length

Colour	inch	cm
Black	6	15.2
White	6	15.2
Blue	6	15.2
Red	6	15.2



### Case Size Series P1

L	W	H	ML
98	37	26.5	94mm
3.86	1.46	1.04	3.7inch



LED Case Should be Grounded

**WARNING:** Always Disconnect Power Before Handling. Case Should be Grounded. Install in Accordance with National and Local Electrical Codes

901 - 3rd Street West, North Vancouver, BC V7P 3P9 Canada

TEL: 604-904-9533

www.sagedrivers.com www.sagelighting.com

*Sage  
Lighting Ltd.*



# LED DRIVER AC TRIAC Dimming

Output Range 26V to 38V Constant Current **470mA** Max **18W**

Small Polycarbonate Case with leads

AC 120V Electronic Constant Current LED Driver Triac Dimming compatible with Leading Edge or Trailing Edge dimmers. Output Range of 26V to 38V for Single circuit 18W maximum.

## Technical Specification:

Class 2 UL, CUL Recognized, ROHS Compliant

ICES-005 Issue 4/FCC Parts 15

Rating: IP 30

Output Open/Short Protection

Min. Starting Temp: 0° C

Max. Case Temp: 50° C

Typical Efficiency: 83%

Input Voltage range:  $\pm 10\%$

Output Current  $\pm 5\%$

Input Frequency: 50/60HZ

THD: < 20%

Power Factor Min: 0.90

Remote Wiring Distance Full Load: 18AWG -18 ft

Case Size: Series P1

Due to continuing efforts to offer improved products all specifications are subject to change without prior notice

INPUT VOLTAGE	INPUT WATTS	INPUT CURRENT	OUTPUT POWER WATTS MAX	OUTPUT VOLTAGE	OUTPUT CURRENT AMPS	MODEL
120	22	0.18A	18	26 to 38V	0.47A	<b>TO470C18WS</b>

### LIMITED WARRANTY

3 YEAR at maximum case temperature 50 deg C. Manufacturer warrants to the purchaser: Product will be free from defects in material or workmanship from the date of manufacture conditioned upon proper storage, installation, use, and maintenance and conformance with any recommendations of Manufacturer

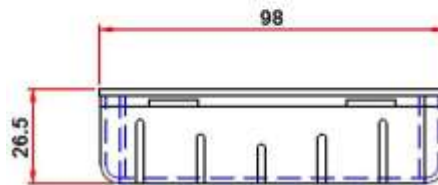
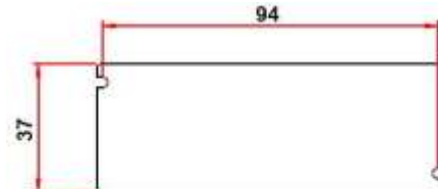
### Compatible 120VAC 60Hz

Triac Dimmer Models below

LUTRON	LEVITON
DVCL-153P	No.6674
DVPDC-203P	6615-P0W
NTLV-600	6633-PLW
S-600P-WH	RP106
SF-103P-WH	

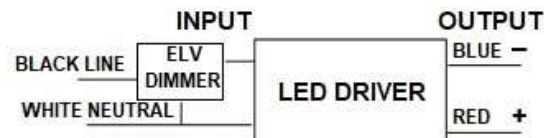
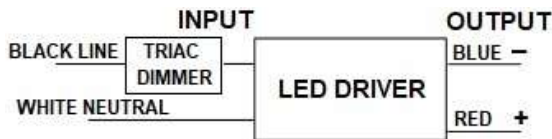
### Lead Length

Colour	inch	cm
Black	6	15.2
White	6	15.2
Blue	6	15.2
Red	6	15.2



### Case Size Series P1

L	W	H	ML
98	37	26.5	94mm
3.86	1.46	1.04	3.7inch



LED Case Should be Grounded

**WARNING:** Always Disconnect Power Before Handling. Case Should be Grounded. Install in Accordance with National and Local Electrical Codes

901 - 3rd Street West, North Vancouver, BC V7P 3P9 Canada

TEL: 604-904-9533

www.sagedrivers.com www.sagelighting.com

*Sage  
Lighting Ltd.*

# LED DRIVER AC TRIAC Dimming

Output Range 25V to 36V Constant Current **500mA** Max **18W**

Small Polycarbonate Case with leads

AC 120V Electronic Constant Current LED Driver Triac Dimming compatible with Leading Edge or Trailing Edge dimmers. Output Range of 25V to 36V for Single circuit 18W maximum.

## Technical Specification:

Class 2 UL, CUL Recognized, ROHS Compliant

ICES-005 Issue 4/FCC Parts 15

Rating: IP 30

Output Open/Short Protection

Min. Starting Temp: 0° C

Max. Case Temp: 50° C

Typical Efficiency: 83%

Input Voltage range:  $\pm 10\%$

Output Current  $\pm 5\%$

Input Frequency: 50/60HZ

THD: < 20%

Power Factor Min: 0.90

Remote Wiring Distance Full Load: 18AWG -18 ft

**Case Size: Series P1**

Due to continuing efforts to offer improved products all specifications are subject to change without prior notice

2/5/17

INPUT VOLTAGE	INPUT WATTS	INPUT CURRENT	OUTPUT POWER WATTS MAX	OUTPUT VOLTAGE	OUTPUT CURRENT AMPS	MODEL
120	22	0.18A	18	25 to 36V	0.5A	<b>TO500C18WS</b>

### LIMITED WARRANTY

3 YEAR at maximum case temperature 50 deg C. Manufacturer warrants to the purchaser: Product will be free from defects in material or workmanship from the date of manufacture conditioned upon proper storage, installation, use, and maintenance and conformance with any recommendations of Manufacturer

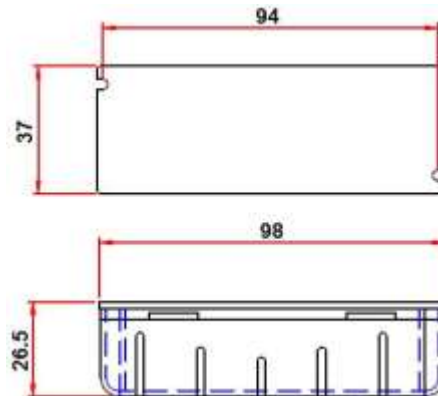
### Compatible 120VAC 60Hz

Triac Dimmer Models below

LUTRON	LEVITON
DVCL-153P	No.6674
DVPDC-203P	6615-P0W
NTLV-600	6633-PLW
S-600P-WH	RP106
SF-103P-WH	

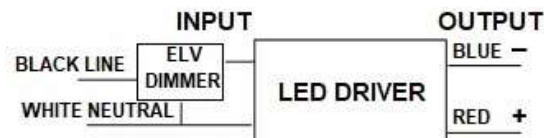
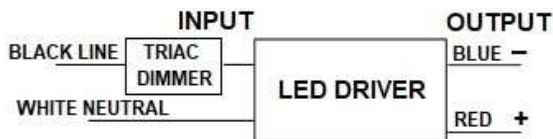
### Lead Length

Colour	inch	cm
Black	6	15.2
White	6	15.2
Blue	6	15.2
Red	6	15.2



### Case Size Series P1

L	W	H	ML
98	37	26.5	94mm
3.86	1.46	1.04	3.7inch



LED Case Should be Grounded

**WARNING:** Always Disconnect Power Before Handling. Case Should be Grounded. Install in Accordance with National and Local Electrical Codes

901 - 3rd Street West, North Vancouver, BC V7P 3P9 Canada

TEL: 604-904-9533

www.sagedrivers.com www.sagelighting.com

*Sage  
Lighting Ltd.*

# LED DRIVER AC TRIAC Dimming

Output Range 35V to 50V Constant Current **500mA** Max **25W**

Small Polycarbonate Case with leads

AC 120V Electronic Constant Current LED Driver Triac Dimming compatible with Leading Edge or Trailing Edge dimmers. Output Range of 35V to 50V for Single circuit 25W maximum.

## Technical Specification:

Class 2 UL, CUL Recognized, ROHS Compliant

ICES-005 Issue 4/FCC Parts 15

Rating: IP 30

Output Open/Short Protection

Min. Starting Temp: 0° C

Max. Case Temp: 50° C

Typical Efficiency: 82%

Input Voltage range:  $\pm 10\%$

Output Current  $\pm 5\%$

Input Frequency: 50/60HZ

THD: < 20%

Power Factor Min: 0.90

Remote Wiring Distance Full Load: 18AWG -18 ft

Case Size: Series P1

Due to continuing efforts to offer improved products all specifications are subject to change without prior notice

2/5/17

INPUT VOLTAGE	INPUT WATTS	INPUT CURRENT	OUTPUT POWER WATTS MAX	OUTPUT VOLTAGE	OUTPUT CURRENT AMPS	MODEL
120	31	0.26A	25	35 to 50V	0.5A	TO500C25WS

### LIMITED WARRANTY

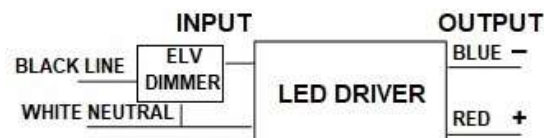
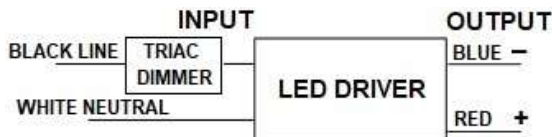
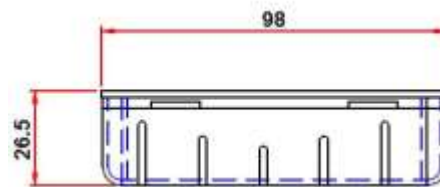
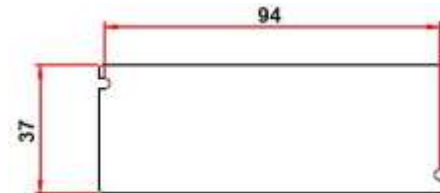
3 YEAR at maximum case temperature 50 deg C. Manufacturer warrants to the purchaser: Product will be free from defects in material or workmanship from the date of manufacture conditioned upon proper storage, installation, use, and maintenance and conformance with any recommendations of Manufacturer

### Compatible 120VAC 60Hz

Triac Dimmer Models below

LUTRON	LEVITON
DVCL-153P	No.6674
DVPDC-203P	6615-P0W
NTLV-600	6633-PLW
S-600P-WH	RP106
SF-103P-WH	

Lead Length		
Colour	inch	cm
Black	6	15.2
White	6	15.2
Blue	6	15.2
Red	6	15.2



LED Case Should be Grounded

Case Size Series P1

L	W	H	ML
98	37	26.5	94mm
3.86	1.46	1.04	3.7inch

**WARNING:** Always Disconnect Power Before Handling. Case Should be Grounded. Install in Accordance with National and Local Electrical Codes

901 - 3rd Street West, North Vancouver, BC V7P 3P9 Canada

TEL: 604-904-9533

www.sagedrivers.com www.sagelighting.com

*Sage  
Lighting Ltd.*

# LED DRIVER AC TRIAC Dimming

Output Range 12V to 18V Constant Current **600mA** Max **10W**

Small Polycarbonate Case with leads

AC 120V Electronic Constant Current LED Driver Triac Dimming compatible with Leading Edge or Trailing Edge dimmers. Output Range of 12V to 18V for Single circuit 10W maximum.

## Technical Specification:

Class 2 UL, CUL Recognized, ROHS Compliant

ICES-005 Issue 4/FCC Parts 15

Rating: IP 30

Output Open/Short Protection

Min. Starting Temp: 0° C

Max. Case Temp: 50° C

Typical Efficiency: 83%

Input Voltage range:  $\pm 10\%$

Output Current  $\pm 5\%$

Input Frequency: 50/60HZ

THD: < 20%

Power Factor Min: 0.90

Remote Wiring Distance Full Load: 18AWG -18 ft

Case Size: Series P1

Due to continuing efforts to offer improved products all specifications are subject to change without prior notice

INPUT VOLTAGE	INPUT WATTS	INPUT CURRENT	OUTPUT POWER WATTS MAX	OUTPUT VOLTAGE	OUTPUT CURRENT AMPS	MODEL
120	12	0.26A	10	12 to 18V	0.6A	<b>TO600C10WS</b>

### LIMITED WARRANTY

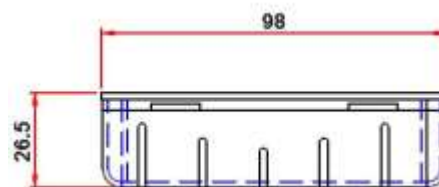
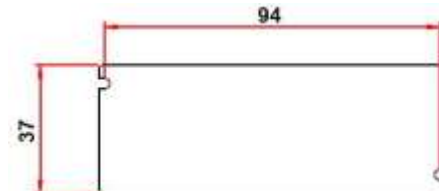
3 YEAR at maximum case temperature 50 deg C. Manufacturer warrants to the purchaser: Product will be free from defects in material or workmanship from the date of manufacture conditioned upon proper storage, installation, use, and maintenance and conformance with any recommendations of Manufacturer

### Compatible 120VAC 60Hz

Triac Dimmer Models below

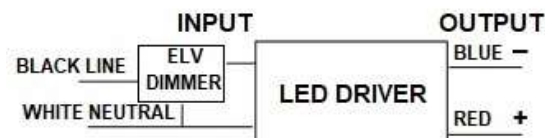
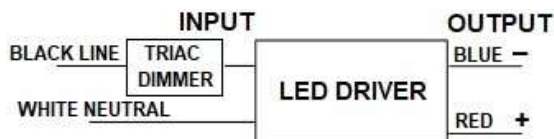
LUTRON	LEVITON
DVCL-153P	No.6674
DVPDC-203P	6615-P0W
NTLV-600	6633-PLW
S-600P-WH	RP106
SF-103P-WH	

Lead Length		
Colour	inch	cm
Black	6	15.2
White	6	15.2
Blue	6	15.2
Red	6	15.2



Case Size Series P1

L	W	H	ML
98	37	26.5	94mm
3.86	1.46	1.04	3.7inch



LED Case Should be Grounded

**WARNING:** Always Disconnect Power Before Handling. Case Should be Grounded. Install in Accordance with National and Local Electrical Codes

# LED DRIVER AC TRIAC Dimming

Output Range 21V to 30V Constant Current **600mA** Max **18W**

Small Polycarbonate Case with leads

AC 120V Electronic Constant Current LED Driver Triac Dimming compatible with Leading Edge or Trailing Edge dimmers. Output Range of 21V to 30V for Single circuit 18W maximum.

## Technical Specification:

Class 2 UL, CUL Recognized, ROHS Compliant

ICES-005 Issue 4/FCC Parts 15

Rating: IP 30

Output Open/Short Protection

Min. Starting Temp: 0° C

Max. Case Temp: 50° C

Typical Efficiency: 85%

Input Voltage range:  $\pm 10\%$

Output Current  $\pm 5\%$

Input Frequency: 50/60HZ

THD: < 20%

Power Factor Min: 0.90

Remote Wiring Distance Full Load: 18AWG -18 ft

Case Size: Series P1

Due to continuing efforts to offer improved products all specifications are subject to change without prior notice

INPUT VOLTAGE	INPUT WATTS	INPUT CURRENT	OUTPUT POWER WATTS MAX	OUTPUT VOLTAGE	OUTPUT CURRENT AMPS	MODEL
120	21	0.26A	18	21 to 30V	0.6A	<b>TO600C18WS</b>

### LIMITED WARRANTY

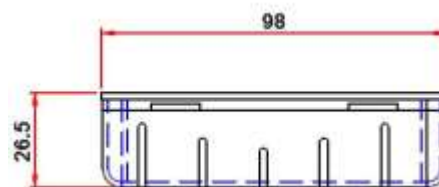
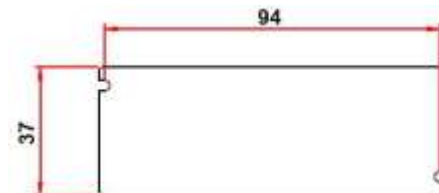
3 YEAR at maximum case temperature 50 deg C. Manufacturer warrants to the purchaser: Product will be free from defects in material or workmanship from the date of manufacture conditioned upon proper storage, installation, use, and maintenance and conformance with any recommendations of Manufacturer

### Compatible 120VAC 60Hz

Triac Dimmer Models below

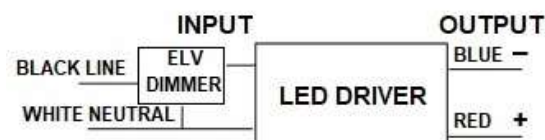
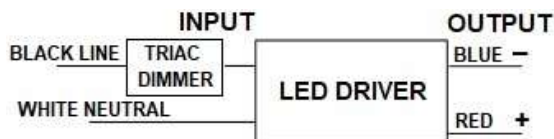
LUTRON	LEVITON
DVCL-153P	No.6674
DVPDC-203P	6615-P0W
NTLV-600	6633-PLW
S-600P-WH	RP106
SF-103P-WH	

Lead Length		
Colour	inch	cm
Black	6	15.2
White	6	15.2
Blue	6	15.2
Red	6	15.2



Case Size Series P1

L	W	H	ML
98	37	26.5	94mm
3.86	1.46	1.04	3.7inch



LED Case Should be Grounded

**WARNING:** Always Disconnect Power Before Handling. Case Should be Grounded. Install in Accordance with National and Local Electrical Codes

901 - 3rd Street West, North Vancouver, BC V7P 3P9 Canada

TEL: 604-904-9533

www.sagedrivers.com www.sagelighting.com

*Sage  
Lighting Ltd.*

# LED DRIVER AC TRIAC Dimming

Output Range 27V to 39V Constant Current **600mA** Max **23W**

Small Polycarbonate Case with leads

AC 120V Electronic Constant Current LED Driver Triac Dimming compatible with Leading Edge or Trailing Edge dimmers. Output Range of 27V to 39V for Single circuit 23W maximum.

## Technical Specification:

Class 2 UL, CUL Recognized, ROHS Compliant

ICES-005 Issue 4/FCC Parts 15

Rating: IP 30

Output Open/Short Protection

Min. Starting Temp: 0° C

Max. Case Temp: 50° C

Typical Efficiency: 85%

Input Voltage range:  $\pm 10\%$

Output Current  $\pm 5\%$

Input Frequency: 50/60HZ

THD: < 20%

Power Factor Min: 0.90

Remote Wiring Distance Full Load: 18AWG -18 ft

Case Size: Series P1

Due to continuing efforts to offer improved products all specifications are subject to change without prior notice

INPUT VOLTAGE	INPUT WATTS	INPUT CURRENT	OUTPUT POWER WATTS MAX	OUTPUT VOLTAGE	OUTPUT CURRENT AMPS	MODEL
120	27	0.35A	23	27 to 39V	0.6A	<b>TO600C23WS</b>

### LIMITED WARRANTY

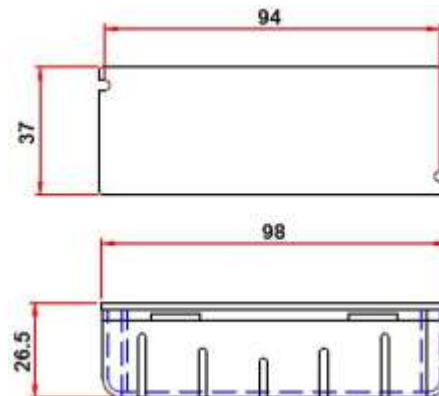
3 YEAR at maximum case temperature 50 deg C. Manufacturer warrants to the purchaser: Product will be free from defects in material or workmanship from the date of manufacture conditioned upon proper storage, installation, use, and maintenance and conformance with any recommendations of Manufacturer

### Compatible 120VAC 60Hz

#### Triac Dimmer Models below

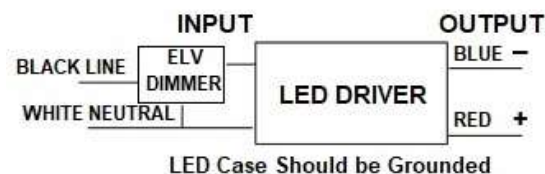
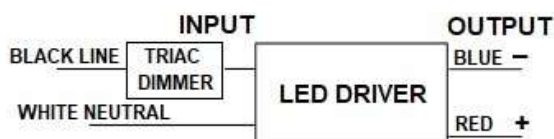
LUTRON	LEVITON
DVCL-153P	No.6674
DVPDC-203P	6615-P0W
NTLV-600	6633-PLW
S-600P-WH	RP106
SF-103P-WH	

Lead Length		
Colour	inch	cm
Black	6	15.2
White	6	15.2
Blue	6	15.2
Red	6	15.2



Case Size Series P1

L	W	H	ML
98	37	26.5	94mm
3.86	1.46	1.04	3.7inch



**WARNING:** Always Disconnect Power Before Handling. Case Should be Grounded. Install in Accordance with National and Local Electrical Codes

# LED DRIVER AC TRIAC Dimming

Output Range 35V to 50V Constant Current **600mA** Max **30W**

Small Polycarbonate Case with leads

AC 120V Electronic Constant Current LED Driver Triac Dimming compatible with Leading Edge or Trailing Edge dimmers. Output Range of 35V to 50V for Single circuit 30W maximum.

## Technical Specification:

Class 2 UL, CUL Recognized, ROHS Compliant

ICES-005 Issue 4/FCC Parts 15

Rating: IP 30

Output Open/Short Protection

Min. Starting Temp: 0° C

Max. Case Temp: 50° C

Typical Efficiency: 85%

Input Voltage range:  $\pm 10\%$

Output Current  $\pm 5\%$

Input Frequency: 50/60HZ

THD: < 20%

Power Factor Min: 0.90

Remote Wiring Distance Full Load: 18AWG -18 ft

Case Size: Series P2

Due to continuing efforts to offer improved products all specifications are subject to change without prior notice

INPUT VOLTAGE	INPUT WATTS	INPUT CURRENT	OUTPUT POWER WATTS MAX	OUTPUT VOLTAGE	OUTPUT CURRENT AMPS	MODEL
120	36	0.35A	30	35 to 50V	0.6A	<b>TO600C30WS</b>

### LIMITED WARRANTY

3 YEAR at maximum case temperature 50 deg C. Manufacturer warrants to the purchaser: Product will be free from defects in material or workmanship from the date of manufacture conditioned upon proper storage, installation, use, and maintenance and conformance with any recommendations of Manufacturer

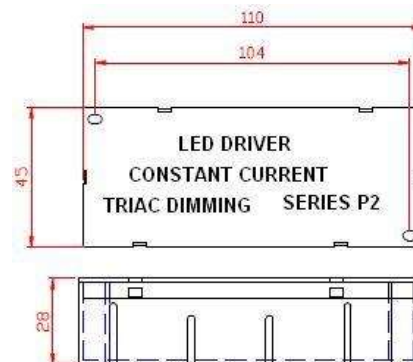
### Compatible 120VAC 60Hz

Triac Dimmer Models below

LUTRON	LEVITON
DVCL-153P	No.6674
DVPDC-203P	6615-P0W
NTLV-600	6633-PLW
S-600P-WH	RP106
SF-103P-WH	

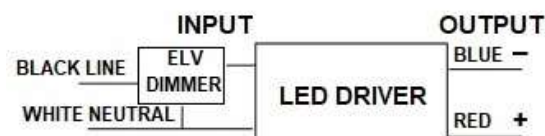
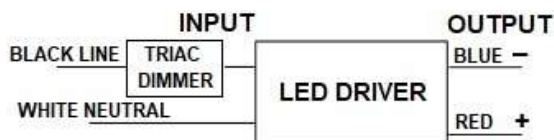
### Lead Length

Colour	inch	cm
Black	6	15.2
White	6	15.2
Blue	6	15.2
Red	6	15.2



### Case Size Series P2

L	W	H	ML
110	45	28	104mm
4.33	1.77	1.1	4.1inch



LED Case Should be Grounded

**WARNING:** Always Disconnect Power Before Handling. Case Should be Grounded. Install in Accordance with National and Local Electrical Codes

901 - 3rd Street West, North Vancouver, BC V7P 3P9 Canada

TEL: 604-904-9533

www.sagedrivers.com www.sagelighting.com

*Sage  
Lighting Ltd.*

# LED DRIVER AC TRIAC Dimming

Output Range 40V to 57V Constant Current **600mA** Max **34W**

Small Polycarbonate Case with leads

AC 120V Electronic Constant Current LED Driver Triac Dimming compatible with Leading Edge or Trailing Edge dimmers. Output Range of 40V to 57V for Single circuit 34W maximum.

## Technical Specification:

Class 2 UL, CUL Recognized, ROHS Compliant

ICES-005 Issue 4/FCC Parts 15

Rating: IP 30

Output Open/Short Protection

Min. Starting Temp: 0° C

Max. Case Temp: 50° C

Typical Efficiency: 82%

Input Voltage range:  $\pm 10\%$

Output Current  $\pm 5\%$

Input Frequency: 50/60HZ

THD: < 20%

Power Factor Min: 0.90

Remote Wiring Distance Full Load: 18AWG -18 ft

Case Size: Series P2

Due to continuing efforts to offer improved products all specifications are subject to change without prior notice

INPUT VOLTAGE	INPUT WATTS	INPUT CURRENT	OUTPUT POWER WATTS MAX	OUTPUT VOLTAGE	OUTPUT CURRENT AMPS	MODEL
120	42	0.6A	34	40 to 57V	0.6A	<b>TO600C34WS</b>

### LIMITED WARRANTY

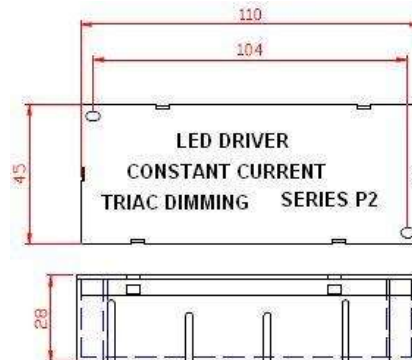
3 YEAR at maximum case temperature 50 deg C. Manufacturer warrants to the purchaser: Product will be free from defects in material or workmanship from the date of manufacture conditioned upon proper storage, installation, use, and maintenance and conformance with any recommendations of Manufacturer

### Compatible 120VAC 60Hz

#### Triac Dimmer Models below

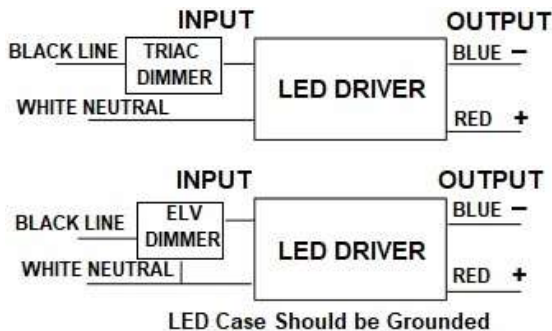
LUTRON	LEVITON
DVCL-153P	No.6674
DVPDC-203P	6615-P0W
NTLV-600	6633-PLW
S-600P-WH	RP106
SF-103P-WH	

Lead Length		
Colour	inch	cm
Black	6	15.2
White	6	15.2
Blue	6	15.2
Red	6	15.2



#### Case Size Series P2

L	W	H	ML
110	45	28	104mm
4.33	1.77	1.1	4.1inch



**WARNING:** Always Disconnect Power Before Handling. Case Should be Grounded. Install in Accordance with National and Local Electrical Codes



# LED DRIVER AC TRIAC Dimming

Output Range 25V to 36V Constant Current **610mA** Max **22W**

Small Polycarbonate Case with leads

AC 120V Electronic Constant Current LED Driver Triac Dimming compatible with Leading Edge or Trailing Edge dimmers. Output Range of 25V to 36V for Single circuit 22W maximum.

## Technical Specification:

Class 2 UL, CUL Recognized, ROHS Compliant

ICES-005 Issue 4/FCC Parts 15

Rating: IP 30

Output Open/Short Protection

Min. Starting Temp: 0° C

Max. Case Temp: 50° C

Typical Efficiency: 83%

Input Voltage range:  $\pm 10\%$

Output Current  $\pm 5\%$

Input Frequency: 50/60HZ

THD: < 20%

Power Factor Min: 0.90

Remote Wiring Distance Full Load: 18AWG -18 ft

Case Size: Series P1

Due to continuing efforts to offer improved products all specifications are subject to change without prior notice

INPUT VOLTAGE	INPUT WATTS	INPUT CURRENT	OUTPUT POWER WATTS MAX	OUTPUT VOLTAGE	OUTPUT CURRENT AMPS	MODEL
120	26	0.26A	22	25 to 36V	0.61A	<b>TO610C22WS</b>

### LIMITED WARRANTY

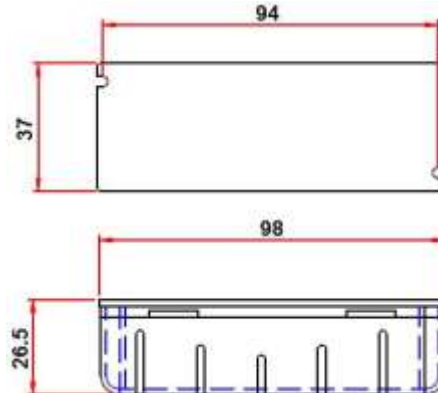
3 YEAR at maximum case temperature 50 deg C. Manufacturer warrants to the purchaser: Product will be free from defects in material or workmanship from the date of manufacture conditioned upon proper storage, installation, use, and maintenance and conformance with any recommendations of Manufacturer

### Compatible 120VAC 60Hz

#### Triac Dimmer Models below

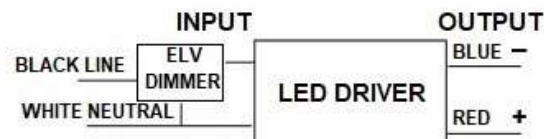
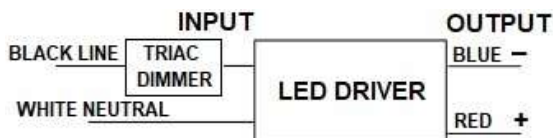
LUTRON	LEVITON
DVCL-153P	No.6674
DVPDC-203P	6615-P0W
NTLV-600	6633-PLW
S-600P-WH	RP106
SF-103P-WH	

Lead Length		
Colour	inch	cm
Black	6	15.2
White	6	15.2
Blue	6	15.2
Red	6	15.2



Case Size Series P1

L	W	H	ML
98	37	26.5	94mm
3.86	1.46	1.04	3.7inch



LED Case Should be Grounded

**WARNING:** Always Disconnect Power Before Handling. Case Should be Grounded. Install in Accordance with National and Local Electrical Codes

901 - 3rd Street West, North Vancouver, BC V7P 3P9 Canada

TEL: 604-904-9533

www.sagedrivers.com www.sagelighting.com

*Sage  
Lighting Ltd.*

# LED DRIVER AC TRIAC Dimming

Output Range 10V to 14V Constant Current **700mA** Max **10W**

Small Polycarbonate Case with leads

AC 120V Electronic Constant Current LED Driver Triac Dimming compatible with Leading Edge or Trailing Edge dimmers. Output Range of 10V to 14V for Single circuit 10W maximum.

## Technical Specification:

Class 2 UL, CUL Recognized, ROHS Compliant

ICES-005 Issue 4/FCC Parts 15

Rating: IP 30

Output Open/Short Protection

Min. Starting Temp: 0° C

Max. Case Temp: 50° C

Typical Efficiency: 80%

Input Voltage range:  $\pm 10\%$

Output Current  $\pm 5\%$

Input Frequency: 50/60HZ

THD: < 20%

Power Factor Min: 0.90

Remote Wiring Distance Full Load: 18AWG -18 ft

Case Size: Series P1

Due to continuing efforts to offer improved products all specifications are subject to change without prior notice

2/5/17

INPUT VOLTAGE	INPUT WATTS	INPUT CURRENT	OUTPUT POWER WATTS MAX	OUTPUT VOLTAGE	OUTPUT CURRENT AMPS	MODEL
120	13	0.1A	10	10 to 14V	0.7A	TO700C10WS

### LIMITED WARRANTY

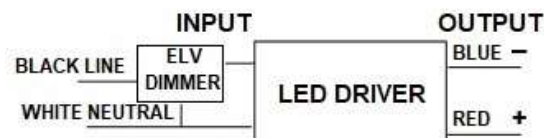
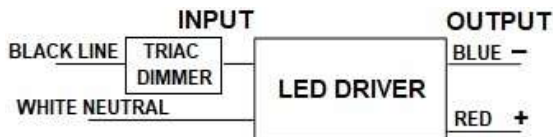
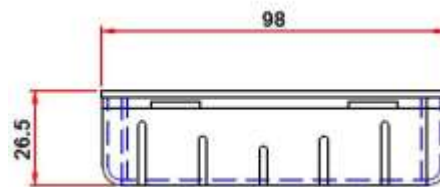
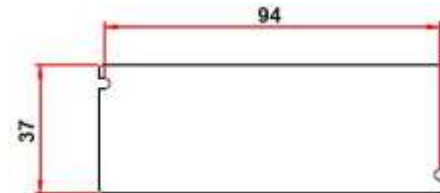
3 YEAR at maximum case temperature 50 deg C. Manufacturer warrants to the purchaser: Product will be free from defects in material or workmanship from the date of manufacture conditioned upon proper storage, installation, use, and maintenance and conformance with any recommendations of Manufacturer

### Compatible 120VAC 60Hz

Triac Dimmer Models below

LUTRON	LEVITON
DVCL-153P	No.6674
DVPDC-203P	6615-P0W
NTLV-600	6633-PLW
S-600P-WH	RP106
SF-103P-WH	

Lead Length		
Colour	inch	cm
Black	6	15.2
White	6	15.2
Blue	6	15.2
Red	6	15.2



LED Case Should be Grounded

Case Size Series P1

L	W	H	ML
98	37	26.5	94mm
3.86	1.46	1.04	3.7inch

**WARNING:** Always Disconnect Power Before Handling. Case Should be Grounded. Install in Accordance with National and Local Electrical Codes

901 - 3rd Street West, North Vancouver, BC V7P 3P9 Canada

TEL: 604-904-9533

www.sagedrivers.com www.sagelighting.com

*Sage  
Lighting Ltd.*

# LED DRIVER AC TRIAC Dimming

Output Range 15V to 21V Constant Current **700mA** Max **15W**

Small Polycarbonate Case with leads

AC 120V Electronic Constant Current LED Driver Triac Dimming compatible with Leading Edge or Trailing Edge dimmers. Output Range of 15V to 21V for Single circuit 15W maximum.

## Technical Specification:

Class 2 UL, CUL Recognized, ROHS Compliant

ICES-005 Issue 4/FCC Parts 15

Rating: IP 30

Output Open/Short Protection

Min. Starting Temp: 0° C

Max. Case Temp: 50° C

Typical Efficiency: 88%

Input Voltage range:  $\pm 10\%$

Output Current  $\pm 5\%$

Input Frequency: 50/60HZ

THD: < 20%

Power Factor Min: 0.90

Remote Wiring Distance Full Load: 18AWG -18 ft

Case Size: Series P1

Due to continuing efforts to offer improved products all specifications are subject to change without prior notice

2/5/17

INPUT VOLTAGE	INPUT WATTS	INPUT CURRENT	OUTPUT POWER WATTS MAX	OUTPUT VOLTAGE	OUTPUT CURRENT AMPS	MODEL
120	17	0.18A	15	15 to 21V	0.7A	<b>TO700C15WS</b>

### LIMITED WARRANTY

3 YEAR at maximum case temperature 50 deg C. Manufacturer warrants to the purchaser: Product will be free from defects in material or workmanship from the date of manufacture conditioned upon proper storage, installation, use, and maintenance and conformance with any recommendations of Manufacturer

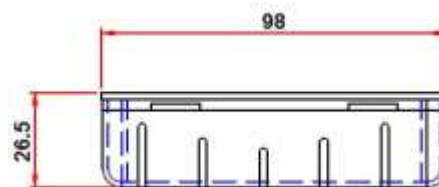
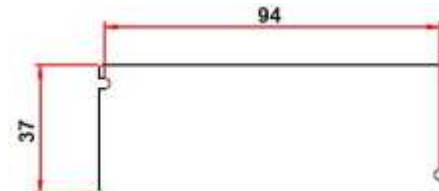
### Compatible 120VAC 60Hz

Triac Dimmer Models below

LUTRON	LEVITON
DVCL-153P	No.6674
DVPDC-203P	6615-P0W
NTLV-600	6633-PLW
S-600P-WH	RP106
SF-103P-WH	

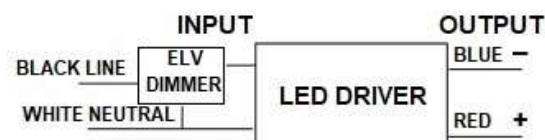
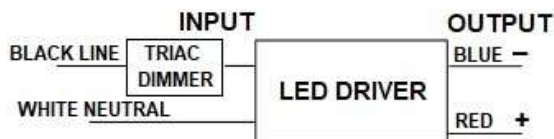
### Lead Length

Colour	inch	cm
Black	6	15.2
White	6	15.2
Blue	6	15.2
Red	6	15.2



### Case Size Series P1

L	W	H	ML
98	37	26.5	94mm
3.86	1.46	1.04	3.7inch



LED Case Should be Grounded

**WARNING:** Always Disconnect Power Before Handling. Case Should be Grounded. Install in Accordance with National and Local Electrical Codes

901 - 3rd Street West, North Vancouver, BC V7P 3P9 Canada

TEL: 604-904-9533

www.sagedrivers.com www.sagelighting.com

*Sage  
Lighting Ltd.*

# LED DRIVER AC TRIAC Dimming

Output Range 17V to 25V Constant Current **700mA** Max **18W**

Small Polycarbonate Case with leads

AC 120V Electronic Constant Current LED Driver Triac Dimming compatible with Leading Edge or Trailing Edge dimmers. Output Range of 17V to 25V for Single circuit 18W maximum.

## Technical Specification:

Class 2 UL, CUL Recognized, ROHS Compliant

ICES-005 Issue 4/FCC Parts 15

Rating: IP 30

Output Open/Short Protection

Min. Starting Temp: 0° C

Max. Case Temp: 50° C

Typical Efficiency: 82%

Input Voltage range:  $\pm 10\%$

Output Current  $\pm 5\%$

Input Frequency: 50/60HZ

THD: < 20%

Power Factor Min: 0.90

Remote Wiring Distance Full Load: 18AWG -18 ft

Case Size: Series P1

Due to continuing efforts to offer improved products all specifications are subject to change without prior notice

1/9/22

INPUT VOLTAGE	INPUT WATTS	INPUT CURRENT	OUTPUT POWER WATTS MAX	OUTPUT VOLTAGE	OUTPUT CURRENT AMPS	MODEL
120	22	0.26A	18	17 to 25V	0.7A	<b>TO700C18WS</b>

### LIMITED WARRANTY

3 YEAR at maximum case temperature 50 deg C. Manufacturer warrants to the purchaser: Product will be free from defects in material or workmanship from the date of manufacture conditioned upon proper storage, installation, use, and maintenance and conformance with any recommendations of Manufacturer

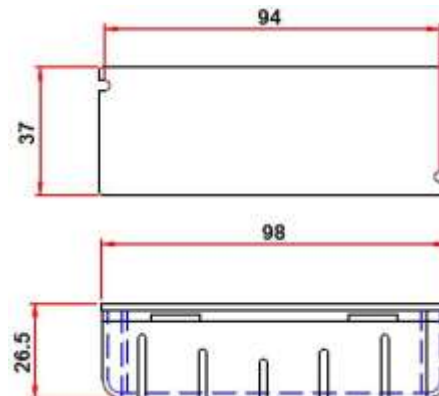
### Compatible 120VAC 60Hz

#### Triac Dimmer Models below

LUTRON	LEVITON
DVCL-153P	No.6674
DVPDC-203P	6615-P0W
NTLV-600	6633-PLW
S-600P-WH	RP106
SF-103P-WH	

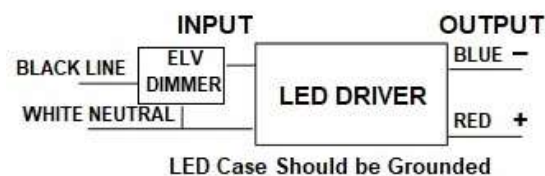
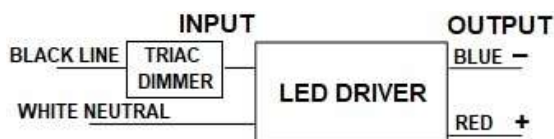
#### Lead Length

Colour	inch	cm
Black	6	15.2
White	6	15.2
Blue	6	15.2
Red	6	15.2



#### Case Size Series P1

L	W	H	ML
98	37	26.5	94mm
3.86	1.46	1.04	3.7inch



**WARNING:** Always Disconnect Power Before Handling. Case Should be Grounded. Install in Accordance with National and Local Electrical Codes

901 - 3rd Street West, North Vancouver, BC V7P 3P9 Canada

TEL: 604-904-9533

www.sagedrivers.com www.sagelighting.com

*Sage  
Lighting Ltd.*

# LED DRIVER AC TRIAC Dimming

Output Range 25V to 36V Constant Current **700mA** Max **25W**

Small Polycarbonate Case with leads

AC 120V Electronic Constant Current LED Driver Triac Dimming compatible with Leading Edge or Trailing Edge dimmers. Output Range of 25V to 36V for Single circuit 25W maximum.

## Technical Specification:

Class 2 UL, CUL Recognized, ROHS Compliant

ICES-005 Issue 4/FCC Parts 15

Rating: IP 30

Output Open/Short Protection

Min. Starting Temp: 0° C

Max. Case Temp: 50° C

Typical Efficiency: 85%

Input Voltage range:  $\pm 10\%$

Output Current  $\pm 5\%$

Input Frequency: 50/60HZ

THD: < 20%

Power Factor Min: 0.90

Remote Wiring Distance Full Load: 18AWG -18 ft

Case Size: Series P1

Due to continuing efforts to offer improved products all specifications are subject to change without prior notice

4/4/20

INPUT VOLTAGE	INPUT WATTS	INPUT CURRENT	OUTPUT POWER WATTS MAX	OUTPUT VOLTAGE	OUTPUT CURRENT AMPS	MODEL
120	30	0.26A	25	25 to 36V	0.7A	<b>TO700C25WS</b>

### LIMITED WARRANTY

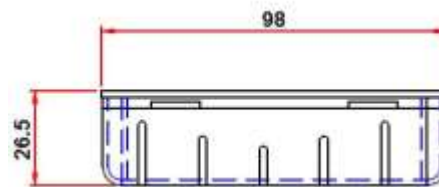
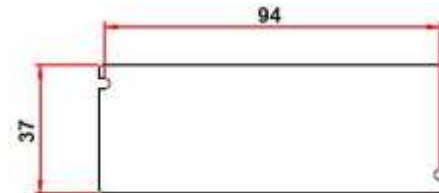
3 YEAR at maximum case temperature 50 deg C. Manufacturer warrants to the purchaser: Product will be free from defects in material or workmanship from the date of manufacture conditioned upon proper storage, installation, use, and maintenance and conformance with any recommendations of Manufacturer

### Compatible 120VAC 60Hz

Triac Dimmer Models below

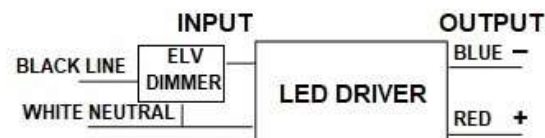
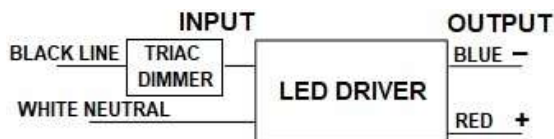
LUTRON	LEVITON
DVCL-153P	No.6674
DVPDC-203P	6615-P0W
NTLV-600	6633-PLW
S-600P-WH	RP106
SF-103P-WH	

Lead Length		
Colour	inch	cm
Black	6	15.2
White	6	15.2
Blue	6	15.2
Red	6	15.2



Case Size Series P1

L	W	H	ML
98	37	26.5	94mm
3.86	1.46	1.04	3.7inch



LED Case Should be Grounded

**WARNING:** Always Disconnect Power Before Handling. Case Should be Grounded. Install in Accordance with National and Local Electrical Codes

901 - 3rd Street West, North Vancouver, BC V7P 3P9 Canada

TEL: 604-904-9533

www.sagedrivers.com www.sagelighting.com

*Sage  
Lighting Ltd.*

# LED DRIVER AC TRIAC Dimming

Output Range 35V to 50V Constant Current **700mA** Max **35W**

Small Polycarbonate Case with leads

AC 120V Electronic Constant Current LED Driver Triac Dimming compatible with Leading Edge or Trailing Edge dimmers. Output Range of 35V to 50V for Single circuit 35W maximum.

## Technical Specification:

Class 2 UL, CUL Recognized, ROHS Compliant  
ICES-005 Issue 4/FCC Parts 15

Rating: IP 30

Output Open/Short Protection

Min. Starting Temp: 0° C

Max. Case Temp: 50° C

Typical Efficiency: 85%

Input Voltage range:  $\pm 10\%$

Output Current  $\pm 5\%$

Input Frequency: 50/60HZ

THD: < 20%

Power Factor Min: 0.90

Remote Wiring Distance Full Load: 18AWG -18 ft

Case Size: Series P2

Due to continuing efforts to offer improved products all specifications are subject to change without prior notice

4/1/19

INPUT VOLTAGE	INPUT WATTS	INPUT CURRENT	OUTPUT POWER WATTS MAX	OUTPUT VOLTAGE	OUTPUT CURRENT AMPS	MODEL
120	42	0.35A	35	35 to 50V	0.7A	<b>TO700C35WS</b>

### LIMITED WARRANTY

3 YEAR at maximum case temperature 50 deg C. Manufacturer warrants to the purchaser: Product will be free from defects in material or workmanship from the date of manufacture conditioned upon proper storage, installation, use, and maintenance and conformance with any recommendations of Manufacturer

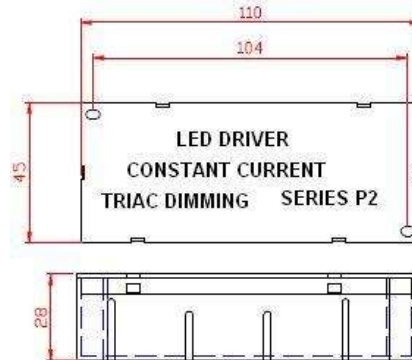
### Compatible 120VAC 60Hz

#### Triac Dimmer Models below

LUTRON	LEVITON
DVCL-153P	No.6674
DVPDC-203P	6615-P0W
NTLV-600	6633-PLW
S-600P-WH	RP106
SF-103P-WH	

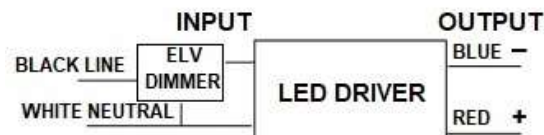
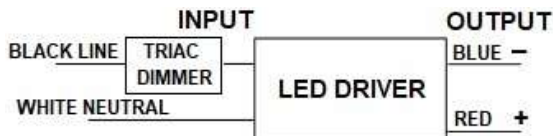
#### Lead Length

Colour	inch	cm
Black	6	15.2
White	6	15.2
Blue	6	15.2
Red	6	15.2



#### Case Size Series P2

L	W	H	ML
110	45	28	104mm
4.33	1.77	1.1	4.1inch



LED Case Should be Grounded

**WARNING:** Always Disconnect Power Before Handling. Case Should be Grounded. Install in Accordance with National and Local Electrical Codes

901 - 3rd Street West, North Vancouver, BC V7P 3P9 Canada

TEL: 604-904-9533

www.sagedrivers.com www.sagelighting.com

*Sage  
Lighting Ltd.*

# LED DRIVER AC TRIAC Dimming

Output Range 24V to 35V Constant Current **870mA** Max **30W**

Small Polycarbonate Case with leads

AC 120V Electronic Constant Current LED Driver Triac Dimming compatible with Leading Edge or Trailing Edge dimmers. Output Range of 24V to 35V for Single circuit 30W maximum.

## Technical Specification:

Class 2 UL, CUL Recognized, ROHS Compliant

ICES-005 Issue 4/FCC Parts 15

Rating: IP 30

Output Open/Short Protection

Min. Starting Temp: 0° C

Max. Case Temp: 50° C

Typical Efficiency: 85%

Input Voltage range:  $\pm 10\%$

Output Current  $\pm 5\%$

Input Frequency: 50/60HZ

THD: < 20%

Power Factor Min: 0.90

Remote Wiring Distance Full Load: 18AWG -18 ft

Case Size: Series P2

Due to continuing efforts to offer improved products all specifications are subject to change without prior notice

INPUT VOLTAGE	INPUT WATTS	INPUT CURRENT	OUTPUT POWER WATTS MAX	OUTPUT VOLTAGE	OUTPUT CURRENT AMPS	MODEL
120	35	0.35A	30	24 to 35V	0.87A	<b>TO870C30WS</b>

### LIMITED WARRANTY

3 YEAR at maximum case temperature 50 deg C. Manufacturer warrants to the purchaser: Product will be free from defects in material or workmanship from the date of manufacture conditioned upon proper storage, installation, use, and maintenance and conformance with any recommendations of Manufacturer

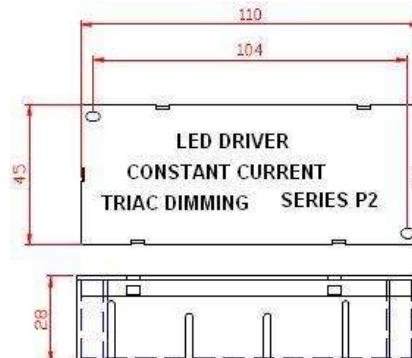
### Compatible 120VAC 60Hz

Triac Dimmer Models below

LUTRON	LEVITON
DVCL-153P	No.6674
DVPDC-203P	6615-P0W
NTLV-600	6633-PLW
S-600P-WH	RP106
SF-103P-WH	

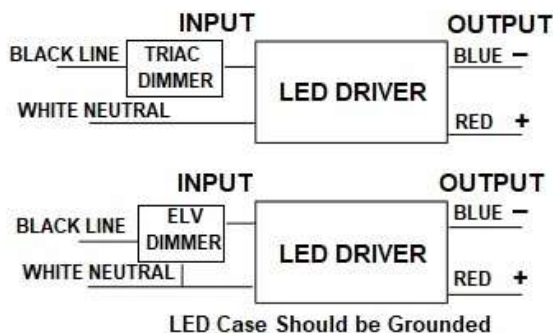
### Lead Length

Colour	inch	cm
Black	6	15.2
White	6	15.2
Blue	6	15.2
Red	6	15.2



### Case Size Series P2

L	W	H	ML
110	45	28	104mm
4.33	1.77	1.1	4.1inch



**WARNING:** Always Disconnect Power Before Handling. Case Should be Grounded. Install in Accordance with National and Local Electrical Codes

901 - 3rd Street West, North Vancouver, BC V7P 3P9 Canada

TEL: 604-904-9533

www.sagedrivers.com www.sagelighting.com

*Sage  
Lighting Ltd.*

# LED DRIVER AC TRIAC Dimming

Output Range 8V to 12V Constant Current **900mA** Max **10W**

Small Polycarbonate Case with leads

AC 120V Electronic Constant Current LED Driver Triac Dimming compatible with Leading Edge or Trailing Edge dimmers. Output Range of 8V to 12V for Single circuit 10W maximum.

## Technical Specification:

Class 2 UL, CUL Recognized, ROHS Compliant

ICES-005 Issue 4/FCC Parts 15

Rating: IP 30

Output Open/Short Protection

Min. Starting Temp: 0° C

Max. Case Temp: 50° C

Typical Efficiency: 80%

Input Voltage range:  $\pm 10\%$

Output Current  $\pm 5\%$

Input Frequency: 50/60HZ

THD: < 20%

Power Factor Min: 0.90

Remote Wiring Distance Full Load: 18AWG -18 ft

Case Size: Series P1

Due to continuing efforts to offer improved products all specifications are subject to change without prior notice

INPUT VOLTAGE	INPUT CURRENT	INPUT WATTS	OUTPUT POWER WATTS MAX	OUTPUT VOLTAGE	OUTPUT CURRENT AMPS	MODEL
120	0.16A	11.5	10	8 to 12V	0.9A	TO900C10WS

### LIMITED WARRANTY

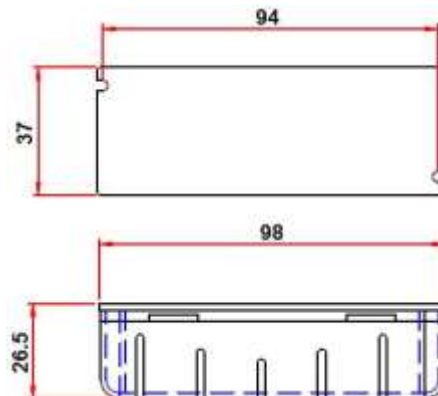
3 YEAR at maximum case temperature 50 deg C. Manufacturer warrants to the purchaser: Product will be free from defects in material or workmanship from the date of manufacture conditioned upon proper storage, installation, use, and maintenance and conformance with any recommendations of Manufacturer

### Compatible 120VAC 60Hz

#### Triac Dimmer Models below

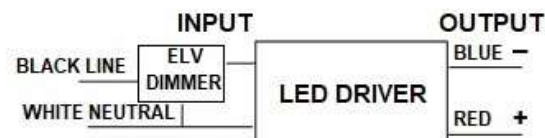
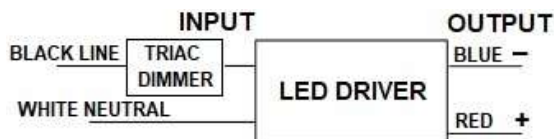
LUTRON	LEVITON
DVCL-153P	No.6674
DVPDC-203P	6615-P0W
NTLV-600	6633-PLW
S-600P-WH	RP106
SF-103P-WH	

Lead Length		
Colour	inch	cm
Black	6	15.2
White	6	15.2
Blue	6	15.2
Red	6	15.2



Case Size Series P1

L	W	H	ML
98	37	26.5	94mm
3.86	1.46	1.04	3.7inch



LED Case Should be Grounded

**WARNING:** Always Disconnect Power Before Handling. Case Should be Grounded. Install in Accordance with National and Local Electrical Codes

901 - 3rd Street West, North Vancouver, BC V7P 3P9 Canada

TEL: 604-904-9533

www.sagedrivers.com www.sagelighting.com

*Sage  
Lighting Ltd.*



# LED DRIVER AC TRIAC Dimming

Output Range 24V to 34V Constant Current **1000mA** Max **34W**

Small Polycarbonate Case with leads

AC 120V Electronic Constant Current LED Driver Triac Dimming compatible with Leading Edge or Trailing Edge dimmers. Output Range of 24V to 34V for Single circuit 34W maximum.

## Technical Specification:

Class 2 UL, CUL Recognized, ROHS Compliant

ICES-005 Issue 4/FCC Parts 15

Rating: IP 30

Output Open/Short Protection

Min. Starting Temp: 0° C

Max. Case Temp: 50° C

Typical Efficiency: 85%

Input Voltage range:  $\pm 10\%$

Output Current  $\pm 5\%$

Input Frequency: 50/60HZ

THD: < 20%

Power Factor Min: 0.90

Remote Wiring Distance Full Load: 18AWG -18 ft

Case Size: Series P2

Due to continuing efforts to offer improved products all specifications are subject to change without prior notice

INPUT VOLTAGE	INPUT WATTS	INPUT CURRENT	OUTPUT POWER WATTS MAX	OUTPUT VOLTAGE	OUTPUT CURRENT AMPS	MODEL
120	40	0.35A	34	24 to 34V	1.0A	<b>TO1000C34WS</b>

### LIMITED WARRANTY

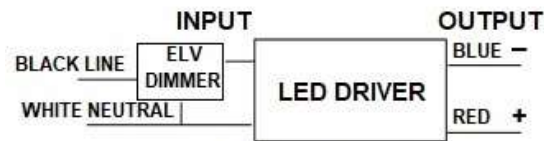
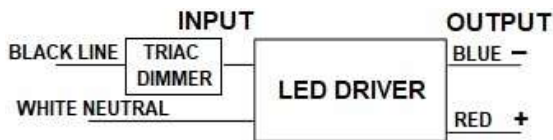
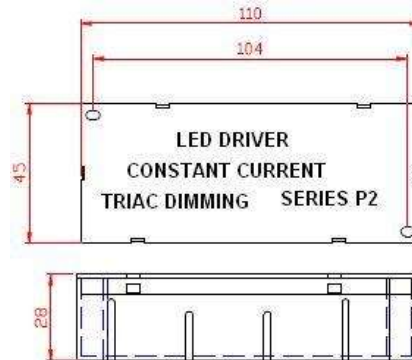
3 YEAR at maximum case temperature 50 deg C. Manufacturer warrants to the purchaser: Product will be free from defects in material or workmanship from the date of manufacture conditioned upon proper storage, installation, use, and maintenance and conformance with any recommendations of Manufacturer

### Compatible 120VAC 60Hz

#### Triac Dimmer Models below

LUTRON	LEVITON
DVCL-153P	No.6674
DVPDC-203P	6615-P0W
NTLV-600	6633-PLW
S-600P-WH	RP106
SF-103P-WH	

Lead Length		
Colour	inch	cm
Black	6	15.2
White	6	15.2
Blue	6	15.2
Red	6	15.2



LED Case Should be Grounded

#### Case Size Series P2

L	W	H	ML
110	45	28	104mm
4.33	1.77	1.1	4.1inch

**WARNING:** Always Disconnect Power Before Handling. Case Should be Grounded. Install in Accordance with National and Local Electrical Codes

901 - 3rd Street West, North Vancouver, BC V7P 3P9 Canada

TEL: 604-904-9533

www.sagedrivers.com www.sagelighting.com

*Sage  
Lighting Ltd.*

# LED DRIVER AC TRIAC Dimming

Output Range 10V to 14V Constant Current **1050mA** Max **15W**

Small Polycarbonate Case with leads

AC 120V Electronic Constant Current LED Driver Triac Dimming compatible with Leading Edge or Trailing Edge dimmers. Output Range of 10V to 14V for Single circuit 15W maximum.

## Technical Specification:

Class 2 UL, CUL Recognized, ROHS Compliant

ICES-005 Issue 4/FCC Parts 15

Rating: IP 30

Output Open/Short Protection

Min. Starting Temp: 0° C

Max. Case Temp: 50° C

Typical Efficiency: 80%

Input Voltage range:  $\pm 10\%$

Output Current  $\pm 5\%$

Input Frequency: 50/60HZ

THD: < 20%

Power Factor Min: 0.90

Remote Wiring Distance Full Load: 18AWG -18 ft

Case Size: Series P1

Due to continuing efforts to offer improved products all specifications are subject to change without prior notice

2/5/17

INPUT VOLTAGE	INPUT WATTS	INPUT CURRENT	OUTPUT POWER WATTS MAX	OUTPUT VOLTAGE	OUTPUT CURRENT AMPS	MODEL
120	19	0.16A	15	10 to 14V	1.05A	TO1050C15WS

### LIMITED WARRANTY

3 YEAR at maximum case temperature 50 deg C. Manufacturer warrants to the purchaser: Product will be free from defects in material or workmanship from the date of manufacture conditioned upon proper storage, installation, use, and maintenance and conformance with any recommendations of Manufacturer

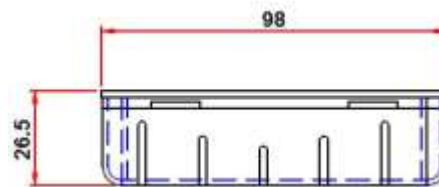
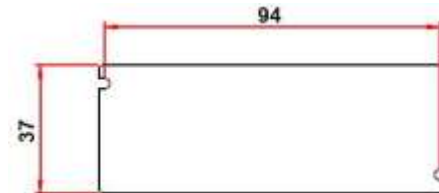
### Compatible 120VAC 60Hz

Triac Dimmer Models below

LUTRON	LEVITON
DVCL-153P	No.6674
DVPDC-203P	6615-P0W
NTLV-600	6633-PLW
S-600P-WH	RP106
SF-103P-WH	

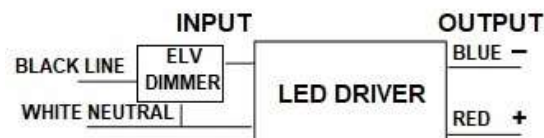
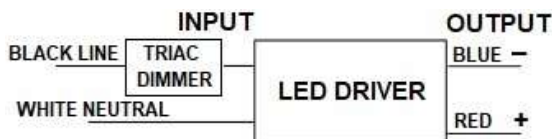
### Lead Length

Colour	inch	cm
Black	6	15.2
White	6	15.2
Blue	6	15.2
Red	6	15.2



### Case Size Series P1

L	W	H	ML
98	37	26.5	94mm
3.86	1.46	1.04	3.7inch



LED Case Should be Grounded

**WARNING:** Always Disconnect Power Before Handling. Case Should be Grounded. Install in Accordance with National and Local Electrical Codes

901 - 3rd Street West, North Vancouver, BC V7P 3P9 Canada

TEL: 604-904-9533

www.sagedrivers.com www.sagelighting.com

*Sage  
Lighting Ltd.*

# LED DRIVER AC TRIAC Dimming

Output Range 24V to 35V Constant Current **1050mA** Max **35W**

Small Polycarbonate Case with leads

AC 120V Electronic Constant Current LED Driver Triac Dimming compatible with Leading Edge or Trailing Edge dimmers. Output Range of 24V to 35V for Single circuit 35W maximum.

## Technical Specification:

Class 2 UL, CUL Recognized, ROHS Compliant

ICES-005 Issue 4/FCC Parts 15

Rating: IP 30

Output Open/Short Protection

Min. Starting Temp: 0° C

Max. Case Temp: 50° C

Typical Efficiency: 85%

Input Voltage range:  $\pm 10\%$

Output Current  $\pm 5\%$

Input Frequency: 50/60HZ

THD: < 20%

Power Factor Min: 0.90

Remote Wiring Distance Full Load: 18AWG -18 ft

Case Size: Series P2

Due to continuing efforts to offer improved products all specifications are subject to change without prior notice

3/1/19

INPUT VOLTAGE	INPUT WATTS	INPUT CURRENT	OUTPUT POWER WATTS MAX	OUTPUT VOLTAGE	OUTPUT CURRENT AMPS	MODEL
120	42	0.35A	35	24 to 35V	1.05A	<b>TO1050C35WS</b>

### LIMITED WARRANTY

3 YEAR at maximum case temperature 50 deg C. Manufacturer warrants to the purchaser: Product will be free from defects in material or workmanship from the date of manufacture conditioned upon proper storage, installation, use, and maintenance and conformance with any recommendations of Manufacturer

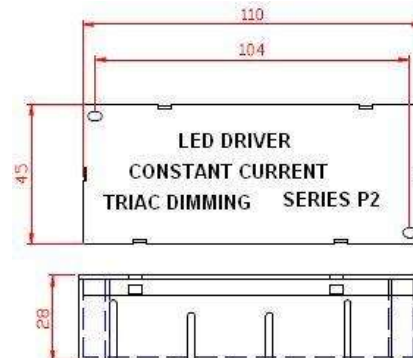
### Compatible 120VAC 60Hz

Triac Dimmer Models below

LUTRON	LEVITON
DVCL-153P	No.6674
DVPDC-203P	6615-P0W
NTLV-600	6633-PLW
S-600P-WH	RP106
SF-103P-WH	

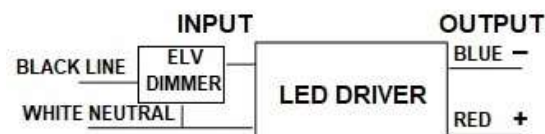
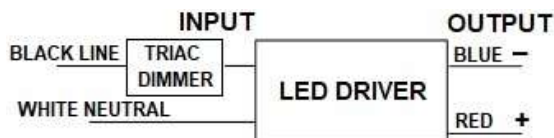
### Lead Length

Colour	inch	cm
Black	6	15.2
White	6	15.2
Blue	6	15.2
Red	6	15.2



### Case Size Series P2

L	W	H	ML
110	45	28	104mm
4.33	1.77	1.1	4.1inch



LED Case Should be Grounded

**WARNING:** Always Disconnect Power Before Handling. Case Should be Grounded. Install in Accordance with National and Local Electrical Codes

901 - 3rd Street West, North Vancouver, BC V7P 3P9 Canada

TEL: 604-904-9533

www.sagedrivers.com www.sagelighting.com

*Sage  
Lighting Ltd.*

# LED DRIVER AC TRIAC Dimming

Output Range 8V to 11V Constant Current **1260mA** Max **14W**

Small Polycarbonate Case with leads

AC 120V Electronic Constant Current LED Driver Triac Dimming compatible with Leading Edge or Trailing Edge dimmers. Output Range of 8V to 11V for Single circuit 14W maximum.

## Technical Specification:

Class 2 UL, CUL Recognized, ROHS Compliant

ICES-005 Issue 4/FCC Parts 15

Rating: IP 30

Output Open/Short Protection

Min. Starting Temp: 0° C

Max. Case Temp: 50° C

Typical Efficiency: 83%

Input Voltage range:  $\pm 10\%$

Output Current  $\pm 5\%$

Input Frequency: 50/60HZ

THD: < 20%

Power Factor Min: 0.90

Remote Wiring Distance Full Load: 18AWG -18 ft

Case Size: Series P1

Due to continuing efforts to offer improved products all specifications are subject to change without prior notice

INPUT VOLTAGE	INPUT WATTS	INPUT CURRENT	OUTPUT POWER WATTS MAX	OUTPUT VOLTAGE	OUTPUT CURRENT AMPS	MODEL
120	16	0.35A	14	8 to 11V	1.26A	<b>TO1260C14WS</b>

### LIMITED WARRANTY

3 YEAR at maximum case temperature 50 deg C. Manufacturer warrants to the purchaser: Product will be free from defects in material or workmanship from the date of manufacture conditioned upon proper storage, installation, use, and maintenance and conformance with any recommendations of Manufacturer

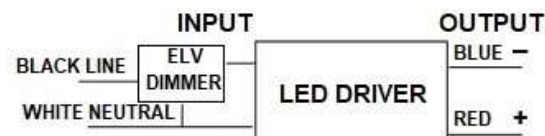
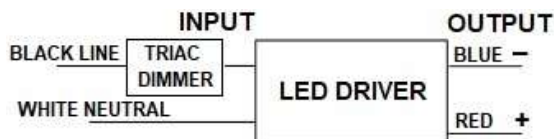
### Compatible 120VAC 60Hz

Triac Dimmer Models below

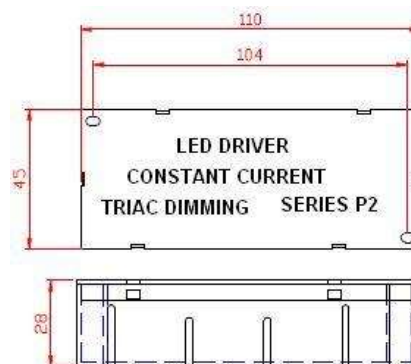
LUTRON	LEVITON
DVCL-153P	No.6674
DVPDC-203P	6615-P0W
NTLV-600	6633-PLW
S-600P-WH	RP106
SF-103P-WH	

### Lead Length

Colour	inch	cm
Black	6	15.2
White	6	15.2
Blue	6	15.2
Red	6	15.2



LED Case Should be Grounded



### Case Size Series P1

L	W	H	ML
98	37	26.5	94mm
3.86	1.46	1.04	3.7inch

**WARNING:** Always Disconnect Power Before Handling. Case Should be Grounded. Install in Accordance with National and Local Electrical Codes

901 - 3rd Street West, North Vancouver, BC V7P 3P9 Canada

TEL: 604-904-9533

www.sagedrivers.com www.sagelighting.com

*Sage  
Lighting Ltd.*

# LED DRIVER AC TRIAC Dimming

Output Range 18V to 25V Constant Current **1400mA** Max **35W**

Small Polycarbonate Case with leads

AC 120V Electronic Constant Current LED Driver Triac Dimming compatible with Leading Edge or Trailing Edge dimmers. Output Range of 18V to 25V for Single circuit 35W maximum.

## Technical Specification:

Class 2 UL, CUL Recognized, ROHS Compliant

ICES-005 Issue 4/FCC Parts 15

Rating: IP 30

Output Open/Short Protection

Min. Starting Temp: 0° C

Max. Case Temp: 50° C

Typical Efficiency: 83%

Input Voltage range:  $\pm 10\%$

Output Current  $\pm 5\%$

Input Frequency: 50/60HZ

THD: < 20%

Power Factor Min: 0.90

Remote Wiring Distance Full Load: 18AWG -18 ft

Case Size: Series P2

Due to continuing efforts to offer improved products all specifications are subject to change without prior notice

2/5/17

INPUT VOLTAGE	INPUT WATTS	INPUT CURRENT	OUTPUT POWER WATTS MAX	OUTPUT VOLTAGE	OUTPUT CURRENT AMPS	MODEL
120	42	0.35A	35	18 to 25V	1.4A	<b>TO1400C35WS</b>

### LIMITED WARRANTY

3 YEAR at maximum case temperature 50 deg C. Manufacturer warrants to the purchaser: Product will be free from defects in material or workmanship from the date of manufacture conditioned upon proper storage, installation, use, and maintenance and conformance with any recommendations of Manufacturer

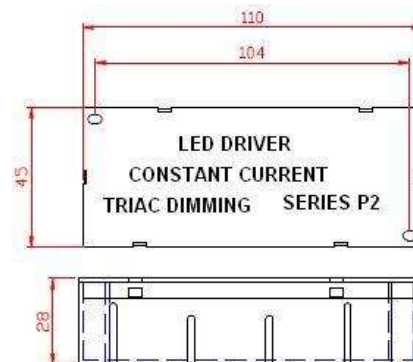
### Compatible 120VAC 60Hz

Triac Dimmer Models below

LUTRON	LEVITON
DVCL-153P	No.6674
DVPDC-203P	6615-P0W
NTLV-600	6633-PLW
S-600P-WH	RP106
SF-103P-WH	

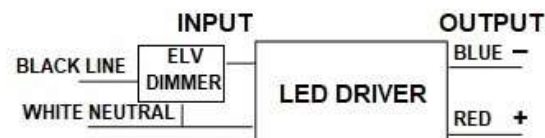
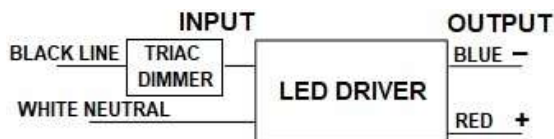
### Lead Length

Colour	inch	cm
Black	6	15.2
White	6	15.2
Blue	6	15.2
Red	6	15.2



### Case Size Series P2

L	W	H	ML
110	45	28	104mm
4.33	1.77	1.1	4.1inch



LED Case Should be Grounded

**WARNING:** Always Disconnect Power Before Handling. Case Should be Grounded. Install in Accordance with National and Local Electrical Codes

901 - 3rd Street West, North Vancouver, BC V7P 3P9 Canada

TEL: 604-904-9533

www.sagedrivers.com www.sagelighting.com

*Sage  
Lighting Ltd.*



# Sage

## **RSET Current Adjustable STEP Dimming 120-277V & 347V Dimmable LED Drivers**

Sage dimmable RSET drivers are simple to use, easy to adjust to desired output current by placing a resistor on the driver and do not require programming tools. These drivers offer flexibility for the Fixture Manufacturers to meet quick delivery demand while maintaining the lowest level of driver inventory possible.

It is also easy to combine into common dimming systems accessible in commercial applications. Pre-Programming is available to facilitate large production needs.

These RSET adjustable current drivers are available in 120-277V or 347V Input voltage and at 40W to 80W 0-10V Dimming.

Output Current: from 1100mA to 2200mA





# 347V LED DRIVER 54W 0-10V Dimming RSET Interface

## Output Range 27V to 55V Constant Current 1500mA Max 54W

Slim Case Size with Terminal Blocks

347V Electronic Constant Current LED Driver 1500mA 0-10V Dimming. Output Range between 27V to 55V for Single Output circuit 54W maximum.

### Technical Specification:

Class 2 UL, CUL Recognized, ROHS Compliant  
 EMI FCC Part 15, Class A  
 Rating: IP 30 Damp  
 Output Open/Short Protection  
 Min. Starting Temp: 0° C  
 Max. Case Temp: 90° C  
 RSET Interface  
 Typical Efficiency: 88%

Input Voltage range:  $\pm 5\%$   
 Output Load range:  $\pm 5\%$   
 Input Frequency: 50/60HZ  
 THD: < 10%  
 Power Factor Min: >0.90  
 Remote Wiring Distance Full Load: 18AWG -18 ft  
 Terminal blocks

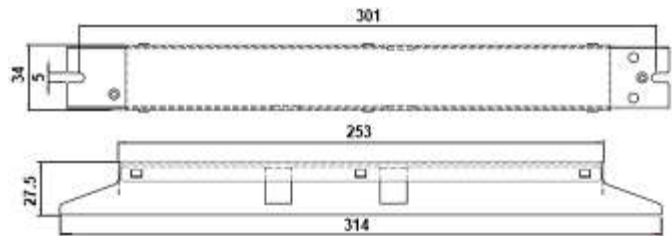
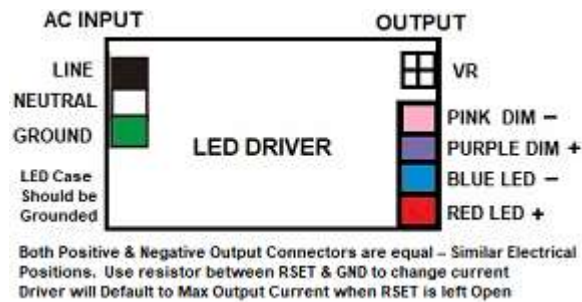
Case Size: Series E13

Due to continuing efforts to offer improved products all specifications are subject to change without prior notice

INPUT VOLTAGE	INPUT CURRENT	INPUT WATTS	OUTPUT POWER WATTS MAX	OUTPUT VOLTAGE	OUTPUT CURRENT AMPS	MODEL
347	0.21A	61	54	27 to 55V	0.9A - 1.5A	RC1500C54WSD

#### LIMITED WARRANTY

5 YEAR at maximum case temperature 75 deg C. 3 YEAR at maximum case temperature 90 deg C. Manufacturer warrants to the purchaser: Product will be free from defects in material or workmanship from the date of manufacture conditioned upon proper storage, installation, use, and maintenance and conformance with any recommendations of Manufacturer.



#### 0-10V Dimmer Compatibility Chart

LUTRON	LEVITON
NFTV	DS710-10Z
DVTV-WH	

#### Case Size Series E13

L	W	H	ML
314	34	27.5	301mm
12.36	1.34	1.08	11.85inch

**WARNING:** Always Disconnect Power Before Handling. Case Should be Grounded. Install in Accordance with National and Local Electrical Codes

# LED DRIVER 40W 0-10V Dimming RSET Interface

Output Range 27V to 55V Constant Current **600mA** to **1100mA** Max **40W**  
Slim Case Size with Terminal Blocks

Universal Voltage 120-277V 600mA-1100mA Electronic Constant Current LED Driver 0-10V Dimming.  
Output Range between 27V to 55V for Single Output circuit 40W maximum.

## Technical Specification:

Class 2 UL, CUL Recognized, ROHS Compliant  
EMI FCC Part 15, Class A  
Rating: TL IP 30 Damp  
Output Open/Short Protection  
Min. Starting Temp: 0° C  
Max. Case Temp: 90° C  
Typical Efficiency: 88%  
RSET Interface

Input Voltage range:  $\pm 5\%$   
Output Load range:  $\pm 5\%$   
Input Frequency: 50/60HZ  
THD: < 10%  
Power Factor Min: >0.90  
Remote Wiring Distance Full Load: 18AWG -18 ft  
Terminal blocks

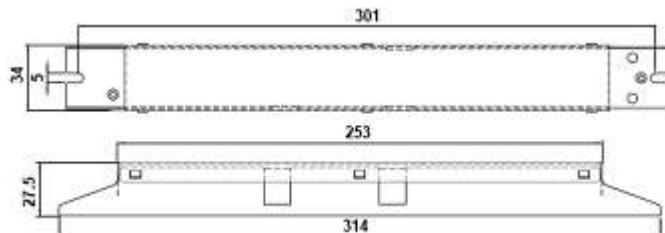
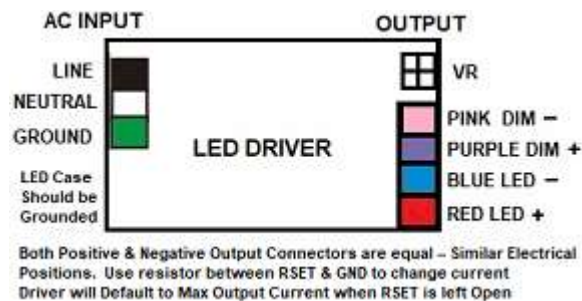
Case Size: Series E13

Due to continuing efforts to offer improved products all specifications are subject to change without prior notice

INPUT VOLTAGE	INPUT CURRENT	INPUT WATTS	OUTPUT POWER WATTS MAX	OUTPUT VOLTAGE	OUTPUT CURRENT AMPS	MODEL
120	0.41	45	40	27 to 55V	0.6A - 1.1A	RU1100C40WSD
277	0.18A					

### LIMITED WARRANTY

5 YEAR at maximum case temperature 75 deg C. 3 YEAR at maximum case temperature 90 deg C. Manufacturer warrants to the purchaser: Product will be free from defects in material or workmanship from the date of manufacture conditioned upon proper storage, installation, use, and maintenance and conformance with any recommendations of Manufacturer.



**WARNING:** Always Disconnect Power Before Handling. Case Should be Grounded. Install in Accordance with National and Local Electrical Codes

### RSET Table

Rset( $\Omega$ )	Iout(mA)	Rset( $\Omega$ )	Iout(mA)
> 6.2K	1100	4.7K	950
6.2K	1100	4.3K	900
5.6K	1050	2.49K	700
4.7K	1000	1.96K	600

### 0-10V Dimmer Compatibility Chart

LUTRON	LEVITON
NFTV	DS710-10Z
DVTV-WH	

### Case Size Series E13

L	W	H	ML
314	34	27.5	301mm
12.36	1.34	1.08	11.85inch

# LED DRIVER 54W 0-10V Dimming RSET Interface

Output Range 27V to 55V Constant Current **900mA to 1500mA** Max **54W**  
 Linear Slim Case Terminal Blocks

Universal Voltage 120-277V 900mA - 1500mA Electronic Constant Current LED Driver 0-10V Dimming. Output Range between 27V to 55V for Single Output circuit 54W maximum.

## Technical Specification:

Class 2 UL, CUL Recognized, ROHS Compliant  
 EMI FCC Part 15, Class A  
 Rating: IP 30 Damp  
 Output Open/Short Protection  
 Min. Starting Temp: 0° C  
 Max. Case Temp: 90° C  
 Interface  
 Typical Efficiency: 86%

Input Voltage range:  $\pm 5\%$   
 Output Load range  $\pm 5\%$   
 Input Frequency: 50/60HZ  
 THD: < 10%  
 Power Factor Min: >0.90  
 Remote Wiring Distance Full Load: 18AWG -18 ft RSET  
 Terminal blocks

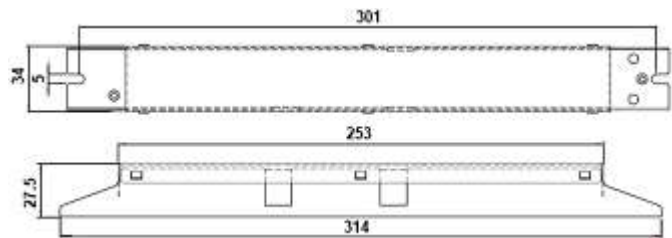
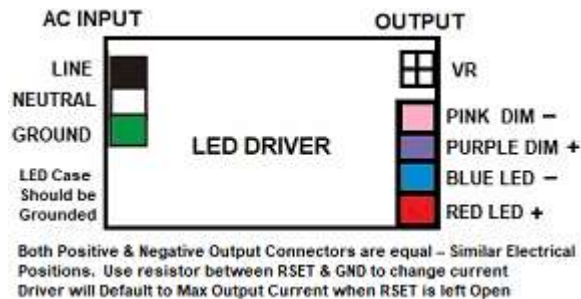
Case Size: Series E13

Due to continuing efforts to offer improved products all specifications are subject to change without prior notice

INPUT VOLTAGE	INPUT CURRENT	INPUT WATTS	OUTPUT POWER WATTS MAX	OUTPUT VOLTAGE	OUTPUT CURRENT AMPS	MODEL
120	0.58	61	54	27 to 55V	0.9 - 1.5A	<b>RU1500C54WSD</b>
277	0.25A					

### LIMITED WARRANTY

5 YEAR at maximum case temperature 75 deg C. 3 YEAR at maximum case temperature 90 deg C. Manufacturer warrants to the purchaser: Product will be free from defects in material or workmanship from the date of manufacture conditioned upon proper storage, installation, use, and maintenance and conformance with any recommendations of Manufacturer.



### 0-10V Dimmer Compatibility Chart

LUTRON	LEVITON
NFTV	DS710-10Z
DVTV-WH	

### Case Size Series E13

L	W	H	ML
314	34	27.5	301mm
12.36	1.34	1.08	11.85inch

**WARNING:** Always Disconnect Power Before Handling. Case Should be Grounded. Install in Accordance with National and Local Electrical Codes

# LED DRIVER 48W 0-10V Dimming RSET Interface

Output Range 15V to 24V Constant Current 1400mA - 2000mA Max **48W**  
Slim Case Size with Terminal Blocks

Universal Voltage 120-277V 1400mA - 2000mA Electronic Constant Current LED Driver 0-10V Dimming. Output Range between 15V to 24V for Single Output circuit 48W maximum.

## Technical Specification:

Class 2 UL, CUL Recognized, ROHS Compliant  
EMI FCC Part 15, Class A  
Rating: IP 30 Damp  
Output Open/Short Protection  
Min. Starting Temp: 0° C  
Max. Case Temp: 90° C  
RSET Interface  
Typical Efficiency: 85%

Input Voltage range:  $\pm 5\%$   
Output Load range:  $\pm 5\%$   
Input Frequency: 50/60HZ  
THD: < 10%  
Power Factor Min: >0.90  
Remote Wiring Distance Full Load: 18AWG -18 ft  
Terminal blocks

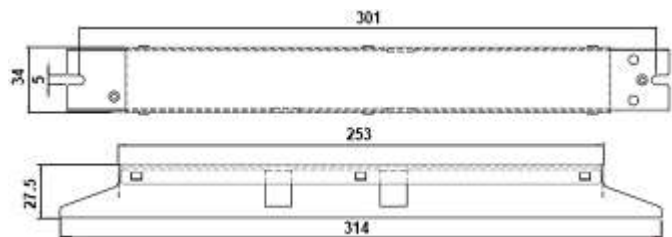
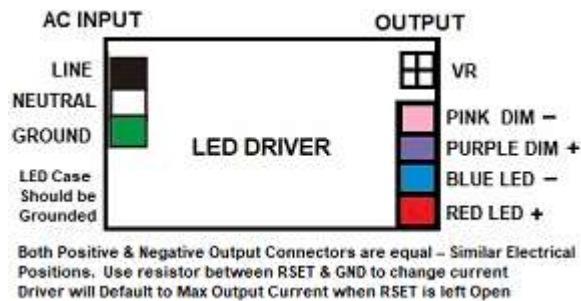
Case Size: Series E13

Due to continuing efforts to offer improved products all specifications are subject to change without prior notice

INPUT VOLTAGE	INPUT CURRENT	INPUT WATTS	OUTPUT POWER WATTS MAX	OUTPUT VOLTAGE	OUTPUT CURRENT AMPS	MODEL
120	0.58	56	48	15 to 24V	1.4 – 2.0A	<b>RU2000C48WSD</b>
277	0.25A					

### LIMITED WARRANTY

5 YEAR at maximum case temperature 75 deg C. 3 YEAR at maximum case temperature 90 deg C. Manufacturer warrants to the purchaser: Product will be free from defects in material or workmanship from the date of manufacture conditioned upon proper storage, installation, use, and maintenance and conformance with any recommendations of Manufacturer.



### 0-10V Dimmer Compatibility Chart

LUTRON	LEVITON
NFTV	DS710-10Z
DVTV-WH	

### Case Size Series E13

L	W	H	ML
314	34	27.5	301mm
12.36	1.34	1.08	11.85inch

**WARNING:** Always Disconnect Power Before Handling. Case Should be Grounded. Install in Accordance with National and Local Electrical Codes

# LED DRIVER 80W 0-10V Dimming RSET Interface

Output Range 27V to 55V Constant Current **1500mA** to **2200mA** Max **80W**  
 Linear Slim Case Terminal Blocks

Universal Voltage 120-277V 1.5 to 2.2A Electronic Constant Current LED Driver 0-10V Dimming.  
 Output Range between 27V to 55V for Single Output circuit 80W maximum.

## Technical Specification:

Class 2 UL, CUL Recognized, ROHS Compliant  
 EMI FCC Part 15, Class A  
 Rating: TL IP30 Damp  
 Output Open/Short Protection  
 Min. Starting Temp: 0° C  
 Max. Case Temp: 90° C  
 Typical Efficiency: 88%  
 RSET Interface

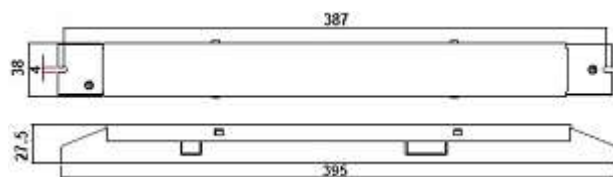
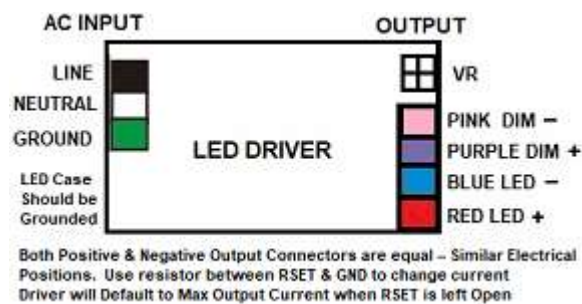
Input Voltage range:  $\pm 5\%$   
 Output Load range  $\pm 5\%$   
 Input Frequency: 50/60HZ  
 THD: < 10%  
 Power Factor Min: >0.90  
 Remote Wiring Distance Full Load: 18AWG -18 ft  
 Supply conductors Cross Section: 0.75-1.5mm<sup>2</sup>  
 Terminal blocks

Case Size: Series E14

Due to continuing efforts to offer improved products all specifications are subject to change without prior notice

INPUT VOLTAGE	INPUT CURRENT	INPUT WATTS	OUTPUT POWER WATTS MAX	OUTPUT VOLTAGE	OUTPUT CURRENT AMPS	MODEL
120	0.83	91	80	27 to 55V	1.5A - 2.2A	RU2200C80WSD
277	0.33					

5 YEAR at maximum case temperature 75 deg C. 3 YEAR at maximum case temperature 90 deg C. Manufacturer warrants to the purchaser: Product will be free from defects in material or workmanship from the date of manufacture conditioned upon proper storage, installation, use, and maintenance and conformance with any recommendations of Manufacturer.



### 0-10V Dimmer Compatibility Chart

LUTRON	LEVITON
NFTV	DS710-10Z
DVTV-WH	

### Case Size Series E14

L	W	H	ML
395	38	27.5	387mm
15.5	1.49	1.08	15.23inch

**WARNING:** Always Disconnect Power Before Handling. Case Should be Grounded. Install in Accordance with National and Local Electrical Codes

# LED STEP-DIMMING DRIVER & RSET Interface

Output Range 27V to 55V Constant Current **1.0A to 1.5A** Max **54W**  
Terminal Blocks

Universal Voltage 120-277V Electronic Constant Current 1000mA to 1500mA Bi-Level Step Dimming LED Driver. Output Range between 27V to 55V for Single Output circuit 54W maximum.

## Technical Specification:

Class 2 UL, CUL Recognized, ROHS Compliant  
EMI FCC Part 15, Class A  
Rating: IP 30 Damp  
Output Open/Short Protection  
Min. Starting Temp: 0° C  
Max. Case Temp: 90° C  
Typical Efficiency: 86%  
RSET Interface

Input Voltage range:  $\pm 5\%$   
Output Load range:  $\pm 5\%$   
Input Frequency: 50/60HZ  
THD: < 20%  
Power Factor Min: >0.90  
Remote Wiring Distance Full Load: 18AWG -18 ft  
Terminal blocks

Case Size: Series E13

Due to continuing efforts to offer improved products all specifications are subject to change without prior notice

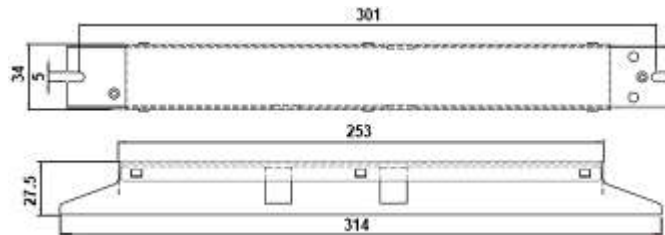
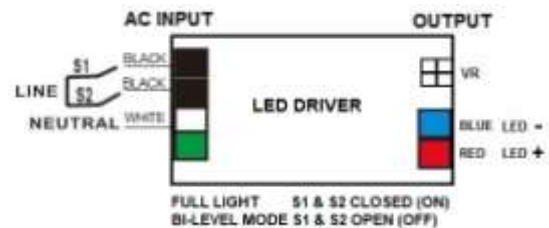
INPUT VOLTAGE	INPUT CURRENT	INPUT WATTS	OUTPUT POWER WATTS MAX	OUTPUT VOLTAGE	OUTPUT CURRENT AMPS	MODEL
120	0.58A	63	54	27 to 55V	1.0 - 1.5A	RU1500C54W-SD
277	0.25A					

### LIMITED WARRANTY

5 YEAR at maximum case temperature 75 deg C. 3 YEAR at maximum case temperature 85 deg C. Manufacturer warrants to the purchaser: Product will be free from defects in material or workmanship from the date of manufacture conditioned upon proper storage, installation, use, and maintenance and conformance with any recommendations of Manufacturer.

### STEP - DIMMING LED DRIVER GUIDE

SWITCH POSITION		LIGHT OUTPUT
S1	S2	
CONNECTED	CONNECTED	100%
CONNECTED	OPEN	50%
OPEN	CONNECTED	50%
OPEN	OPEN	0%



**WARNING:** Always Disconnect Power Before Handling. Case Should be Grounded. Install in Accordance with National and Local Electrical Codes

Case Size Series E13

L	W	H	ML
314	34	27.5	301mm
12.36	1.34	1.08	11.85inch